

## 30" PROFESSIONAL OVENS AND COMPANIONS

---

# PLANNING GUIDE

---

### **SERIES 9 & 11**

**SELF-CLEANING OVEN** | OB30SPPUX3

**SELF-CLEANING STEAM ASSIST OVEN** | OB30SPPSUX3

**COMBI-STEAM** | OS30SPUX3

**COMPACT COMBI-STEAM** | OS30NPUX3

**COMPACT CONVECTION-SPEED** | OM30NPUX3

**BUILT-IN COFFEE MAKER** | EB30PSX1

**WARMING DRAWER** | WB30SPEX3, WB30SDEI3

**VACUUM DRAWER** | VB30SPEX3, VB30SDEI3

**FISHER & PAYKEL**

**INTRODUCTION**

This comprehensive planning guide provides you with the framework and tools to achieve your desired design outcome with Fisher & Paykel appliances. In this guide, you will find a range of conceptual, detailed, and dimensional product information to bring your ideas to life and create spaces that truly reflect your vision.

**SUPPORT**

For additional design planning and installation support please contact the Fisher & Paykel design support team.  
**designsupport@fisherpaykel.com**

**NOTES**

The models shown in this Planning Guide may not be available in all markets and are subject to change at any time. Refer to our website fisherpaykel.com for the latest document version. Product specifications may vary from those shown. This Planning Guide should not be used as installation guidance for any product. Specific installation guidance will be available with the product on delivery and on our website.

<b>CONCEPT DESIGN</b>		<b>PAGE</b>	<b>DEVELOPED AND DETAILED DESIGN</b>		<b>PAGE</b>	<b>DEVELOPED AND DETAILED DESIGN</b>		<b>PAGE</b>
<b>DESIGN CHOICE</b>			<b>DATA SHEETS</b>			<b>PLANNING CONSIDERATIONS</b>		
Styles		<b>4</b>	Self-Cleaning Oven		<b>25</b>	Cabinetry Preparation		<b>36</b>
Professional Family		<b>5</b>	Self-Cleaning Steam Assist Oven		<b>26</b>	Clearances		<b>37</b>
Overview		<b>6</b>	Combi-Steam Oven		<b>27</b>	Ventilation		<b>38</b>
Configuration Options		<b>7</b>	Built-In Coffee Maker		<b>28</b>	Stack Height		<b>39</b>
Cabinetry Alignment		<b>8</b>	Compact Combi-Steam Oven		<b>29</b>	Self-Cleaning Oven		<b>40</b>
<b>SPECIFICATION GUIDE</b>			Compact Convection-Speed Oven		<b>30</b>	Self-Cleaning Steam Assist Oven		<b>41</b>
Self-Cleaning Oven		<b>10</b>	Warming Drawer		<b>31</b>	Combi-Steam Oven		<b>42</b>
Self-Cleaning Steam Assist Oven		<b>11</b>	Integrated Warming Drawer		<b>32</b>	Built-in Coffee Maker		<b>43</b>
Combi-Steam Oven		<b>12</b>	Vacuum Seal Drawer		<b>33</b>	Built-in Coffee Maker & Compact Combi-Steam Oven		<b>44</b>
Built-In Coffee Maker		<b>13</b>	Integrated Vacuum Seal Drawer		<b>34</b>	Compact Combi-Steam Oven		<b>45</b>
Compact Combi-Steam Oven		<b>14</b>				Compact Convection-Speed Oven		<b>46</b>
Compact Convection-Speed Oven		<b>15</b>				Warming Drawer		<b>47</b>
Warming Drawer		<b>16</b>				Integrated Warming Drawer		<b>48</b>
Integrated Warming Drawer		<b>17</b>				Vacuum Seal Drawer		<b>49</b>
Vacuum Seal Drawer		<b>18</b>				Integrated Vacuum Seal Drawer		<b>50</b>
Integrated Vacuum Seal Drawer		<b>19</b>				<b>SERVICES</b>		
Dimensions - Ovens		<b>20</b>				Power Cord Length and Location - Ovens		<b>52</b>
Dimensions - Compact Ovens & Built-In Coffee Maker		<b>21</b>				Power Cord Length and Location - Compact Ovens		<b>53</b>
Dimensions - Drawers		<b>22</b>				Power Cord Length and Location - Companions		<b>54</b>
Services		<b>23</b>						

## DESIGN CHOICE



**MINIMAL STYLE - HANDLELESS**

Celebrating a singular aesthetic to blend seamlessly into the kitchen, Minimal style ovens feature subtle textural and tonal contrasts for a sense of refinement and purity.



**MINIMAL STYLE**



**CONTEMPORARY STYLE**

Defined by clean lines and timeless design cues, Contemporary style ovens bring a sense of balance and refinement. A versatile aesthetic that complements a range of kitchen styles.



**PROFESSIONAL STYLE**

Distinctive and bold, Professional style ovens are the perfect interpretation of the commercial kitchen for the home chef. Experience refined performance with stainless steel construction that is built to last.

This Planning Guide is for the Professional Style featuring 30" Ovens and Companions. For information on other styles, please visit the Fisher and Paykel website. To see what models are available, head to the 'Overview' section in this Planning Guide.

The models shown in this Planning Guide may not be available in all markets and are subject to change at any time. Product specifications may vary from those shown. This Planning Guide should not be used as installation guidance for any product. Further information is required to safely and correctly install the products featured here. Specific installation guidance will be available with the product on delivery and on our website [fisherpaykel.com](http://fisherpaykel.com)

FINISH

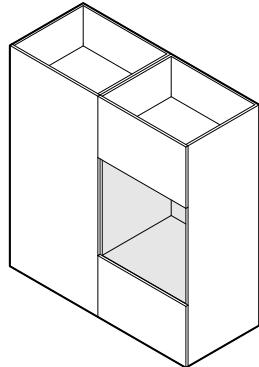
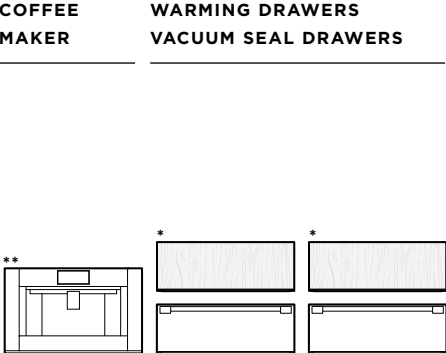
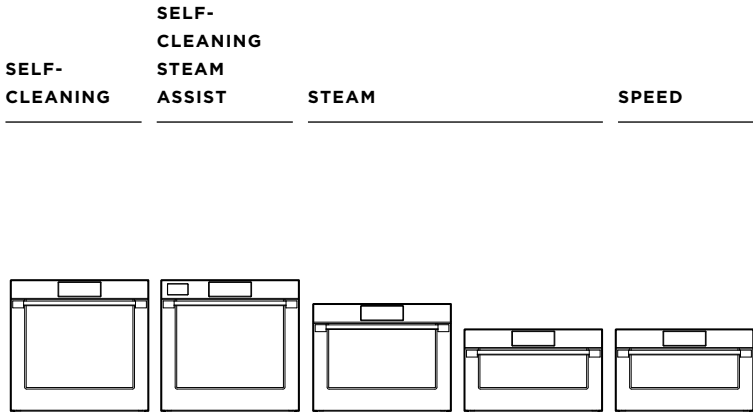
OVENS

COMPANIONS

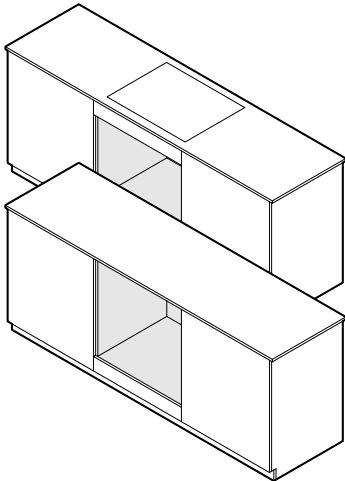
INSTALLATION OPTIONS



Stainless Steel



Installation in wall

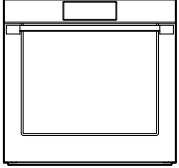
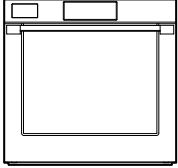
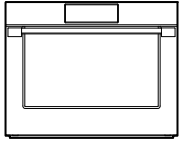
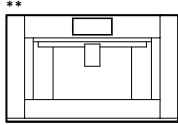




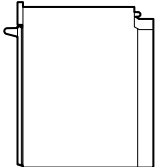
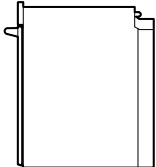
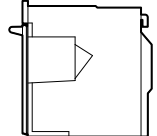
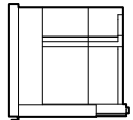
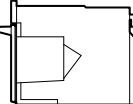
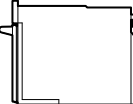



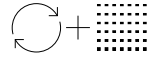
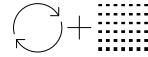
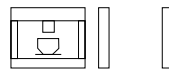
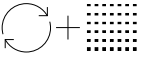
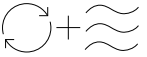
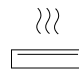
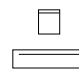


Installation under-bench

\*Integrated model, panel ready for a custom front panel.

\*\*Built-In Coffee Maker measurements are different to other products. Configurations are possible, but consider installation requirements.

The models shown in this Planning Guide may not be available in all markets and are subject to change at any time. Product specifications may vary from those shown. This Planning Guide should not be used as installation guidance for any product. Further information is required to safely and correctly install the products featured here. Specific installation guidance will be available with the product on delivery and on our website fisherpaykel.com

FRONT ELEVATION								
SIDE ELEVATION								
*Integrated models available.								
	SELF-CLEANING OVEN	SELF-CLEANING STEAM ASSIST OVEN	COMBI-STEAM OVEN	BUILT-IN COFFEE MAKER	COMPACT COMBI-STEAM OVEN	COMPACT CONVECTION-SPEED OVEN	WARMING DRAWER	VACUUM SEAL DRAWER
Series	Series 9	Series 11	Series 11	Series 9	Series 9	Series 9	Series 9	Series 9
Models	OB30SPPUX3	OB30SPPSUX3	OS30SPUX3	EB30PSX1**	OS30NPUX3	OM30NPUX3	WB30SPEX3	VB30SPEX3
Integrated Models	-	-	-	-	-	-	WB30SDEI3	VB30SDEI3
Interface	6.8" Touchscreen	6.8" Touchscreen	6.8" Touchscreen	4.3" Touchscreen	6.8" Touchscreen	6.8" Touchscreen	-	-
Overall Height	28 11/16" (729mm)	28 11/16" (729mm)	23 9/16" (598mm)	18 1/2" (470mm)	18" (458mm)	18" (458mm)	10 11/16" (271mm)	10 11/16" (271mm)
Overall Width	29 7/8" (758mm)	29 7/8" (758mm)	29 7/8" (758mm)	29 13/16" (757mm)	29 7/8" (758mm)	29 7/8" (758mm)	29 7/8" (758mm)	29 7/8" (758mm)
Front Panel Thickness*	15/16" (24mm)	15/16" (24mm)	15/16" (24mm)	1 9/16" (40mm)	15/16" (24mm)	15/16" (24mm)	15/16" (24mm)	15/16" (24mm)

\*Flush, Semi-Flush, and Proud alignment is achievable. Head to the 'Cabinetry Alignment' section of this Planning Guide.

\*\*Built-In Coffee Maker measurements are different to other products. Configurations are possible, but consider installation requirements.

The models shown in this Planning Guide may not be available in all markets and are subject to change at any time. Product specifications may vary from those shown. This Planning Guide should not be used as installation guidance for any product. Further information is required to safely and correctly install the products featured here. Specific installation guidance will be available with the product on delivery and on our website fisherpaykel.com

STACKED INSTALLATION

GRID INSTALLATION

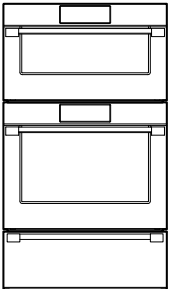
ROW INSTALLATION

**CONSIDERATIONS**  
Different configurations possible, consider heights for grid and row installations.

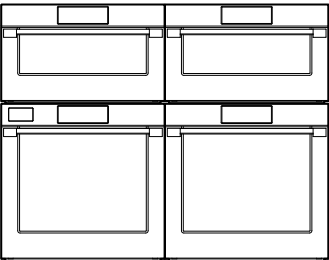
**STACK HEIGHT**  
Stack Height is overall product height with minimum clearance above appliance front panel to upper cabinetry front panel or appliance.

**BUILT-IN COFFEE MAKER**  
Built-In Coffee Maker measurements are different to other products. Configurations are possible, but consider installation options.

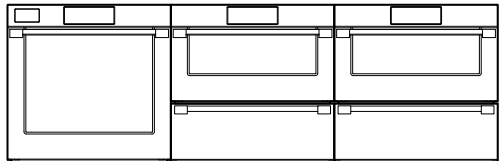
Stack Height  
52 3/8" (1331mm)



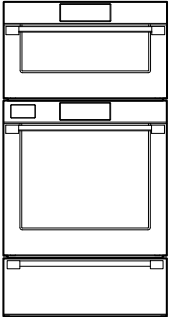
Stack Height  
46 7/8" (1191mm)



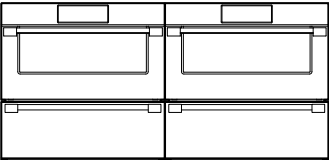
Stack Height  
28 3/4" (731mm)



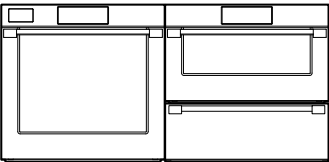
Stack Height  
57 9/16" (1462mm)



Stack Height  
28 3/4" (731mm)



Stack Height  
28 3/4" (731mm)

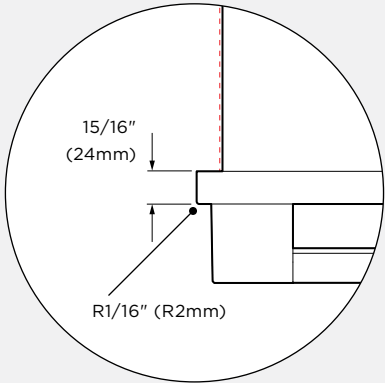


The models shown in this Planning Guide may not be available in all markets and are subject to change at any time. Product specifications may vary from those shown. This Planning Guide should not be used as installation guidance for any product. Further information is required to safely and correctly install the products featured here. Specific installation guidance will be available with the product on delivery and on our website fisherpaykel.com

PROFESSIONAL STYLE - CABINETRY ALIGNMENT

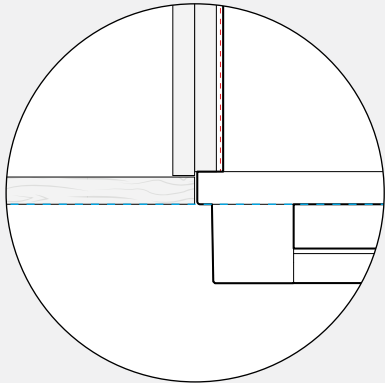
Professional Ovens and Companions have a control panel thickness of 15/16" (24mm), allowing for Flush, Semi-Flush, and Proud alignment. The drawing below illustrates 3/4" (19mm) cabinetry front panels. Built-In Coffee Maker has a control panel thickness of 1 9/16" (40mm).

CONTROL PANEL



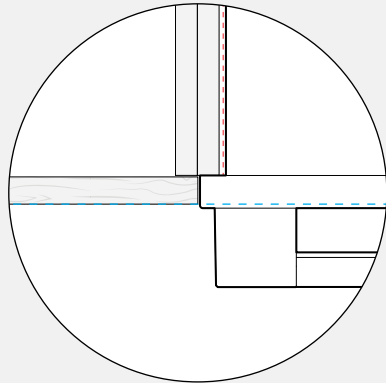
PLAN VIEW

FLUSH CABINETRY ALIGNMENT



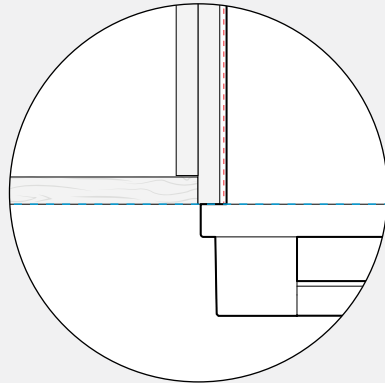
PLAN VIEW

SEMI-FLUSH ALIGNMENT



PLAN VIEW

PROUD ALIGNMENT



PLAN VIEW

----- INDICATES CABINETRY DATUM

The models shown in this Planning Guide may not be available in all markets and are subject to change at any time. Product specifications may vary from those shown. This Planning Guide should not be used as installation guidance for any product. Further information is required to safely and correctly install the products featured here. Specific installation guidance will be available with the product on delivery and on our website fisherpaykel.com

# **SPECIFICATION GUIDE**

## SERIES 11 & 9



### OVERVIEW

Designed to make a bold statement in the kitchen space with a striking handle and brushed stainless steel finish, this oven matches seamlessly with our Professional style family of appliances. Pyrolytic self-cleaning simplifies maintenance, while precise cooking methods with temperature and heat type recommendations for a wide range of food types are easily accessed via the large touch screen and SmartHQ™.

### PRODUCTS

#### OB30SPPUX3

30" Series 9 Professional Self-Cleaning Oven

### SERIES & STYLE

Series 9  
Professional

### FEATURES

- ① Professional style is designed to make a bold statement in the kitchen space. Matches with Professional style family of appliances
- ② Self-cleaning pyrolytic function breaks down food residue for an easy clean
- ③ Premium soft-close door with advanced thermal performance
- ④ Generous 4.6 cu ft useable capacity
- ⑤ Large 6.8" touchscreen is intuitive and easy to use
- ⑥ Create perfect results with precise cooking methods, with temperature and heat type recommendations for your food type
- ⑦ Twin vertical fans, perfect for multi-shelf cooking
- ⑧ Includes a wired temperature sensor for real-time monitoring of cooking temperatures
- ⑨ Connected capability via the SmartHQ™ app gives control & visibility from anywhere at anytime

### ACCESSORIES

- ① Self-cleaning-proof Side Ladders
- ② Full Extension Sliding Shelf (x3)
- ③ Multi-functional Air Fry Tray
- ④ Roasting Dish
- ⑤ Wired Temperature Sensor



The models shown in this Planning Guide may not be available in all markets and are subject to change at any time. Product specifications may vary from those shown. This Planning Guide should not be used as installation guidance for any product. Further information is required to safely and correctly install the products featured here. Specific installation guidance will be available with the product on delivery and on our website [fisherpaykel.com](http://fisherpaykel.com)



### OVERVIEW

Designed to make a bold statement in the kitchen space with a striking handle and brushed stainless steel finish, this oven matches seamlessly with our Professional style family of appliances. Steam Assist enhances convection cooking, while pyrolytic cleaning simplifies maintenance. Precise cooking methods with temperature and heat type recommendations for a wide range of food types are easily accessed via the large touch screen and SmartHQ™.

### PRODUCTS

#### OB30SPPSUX3

30" Series 11 Professional Self-Cleaning Steam Assist Oven

### SERIES & STYLE

Series 11  
Professional

### ACCESSORIES

- ① Self-cleaning-proof Side Ladders
- ② Full Extension Sliding Shelf (x3)
- ③ Multi-functional Air Fry Tray
- ④ Roasting Dish
- ⑤ Wired Temperature Sensor
- ⑥ Descale Solution - 2 sachets (Part 580925)

### FEATURES

- ① Professional style is designed to make a bold statement in the kitchen space. Matches with Professional style family of appliances
- ② Steam Assist combines convection heat with steam to enhance the cooking process
- ③ Self-cleaning pyrolytic function breaks down food residue for an easy clean
- ④ Premium soft-close door with advanced thermal performance
- ⑤ Generous 4.6 cu ft useable capacity
- ⑥ Large 6.8" touchscreen is intuitive and easy to use
- ⑦ Create perfect results with precise cooking methods, with temperature and heat type recommendations for your food type
- ⑧ Twin vertical fans, perfect for multi-shelf cooking
- ⑨ Includes a wired temperature sensor for real-time monitoring of cooking temperatures
- ⑩ Connected capability via the SmartHQ™ app gives control & visibility from anywhere at anytime



The models shown in this Planning Guide may not be available in all markets and are subject to change at any time. Product specifications may vary from those shown. This Planning Guide should not be used as installation guidance for any product. Further information is required to safely and correctly install the products featured here. Specific installation guidance will be available with the product on delivery and on our website [fisherpaykel.com](http://fisherpaykel.com)



## OVERVIEW

Designed to make a bold statement in the kitchen space with a striking handle and brushed stainless steel finish, this Combi-Steam oven matches seamlessly with our Professional style family of appliances. Featuring a larger cavity ideal for cooking larger dishes and multiple trays simultaneously. With versatile cooking options including steam or convection, plus a Steam Clean function for easy maintenance. Precise cooking methods with temperature and heat type recommendations for a wide range of food types are easily accessed via the large touch screen and SmartHQ™.

## PRODUCTS

### OS30SPUX3

30" Series 11 Professional Combi-Steam Oven

## SERIES & STYLE

Series 11  
Professional

## ACCESSORIES

- ① Chrome Side Ladders
- ② Full Extension Sliding Shelf (x2)
- ③ Step Down Wire Shelf
- ④ Roasting Dish
- ⑤ Broil Rack
- ⑥ Smokeless Broil Tray

## FEATURES

- ① Professional style is designed to make a bold statement in the kitchen space
- ② Versatile cooking options with steam or convection heat for optimal results
- ③ Premium soft open and close door
- ④ Generous 2.5 cu ft useable capacity with six shelf positions
- ⑤ Large 6.8" touchscreen is intuitive and easy to use
- ⑥ Create perfect results with precise cooking methods, with temperature and heat type recommendations for your food type
- ⑦ Moisture control and even heat distribution thanks to ActiveVent™ and AeroTech™ technology
- ⑧ Steam Clean function ensures a spotless oven with minimal effort
- ⑨ Includes a wired temperature sensor for real-time monitoring of cooking temperatures
- ⑩ Connected capability via the SmartHQ™ app gives control & visibility from anywhere at anytime

## ACCESSORIES

- ⑦ Large Perforated Steam Dish
- ⑧ Small Perforated Steam Dish
- ⑨ Large Steam Dish
- ⑩ Wired Temperature Sensor
- ⑪ Descale Solution - 2 sachets (Part 580925)



The models shown in this Planning Guide may not be available in all markets and are subject to change at any time. Product specifications may vary from those shown. This Planning Guide should not be used as installation guidance for any product. Further information is required to safely and correctly install the products featured here. Specific installation guidance will be available with the product on delivery and on our website [fisherpaykel.com](http://fisherpaykel.com)



### OVERVIEW

Designed to complement our Professional style oven and warming drawer, this Built-in Coffee Maker seamlessly integrates into any kitchen design with a stylish stainless steel finish. Beautiful to use, it has an intuitive touch display with 13 different beverage options to suit individual taste and selection - from Espresso to Latte. Pair with other companion products to create a kitchen suite for every need.

### PRODUCTS

**EB30PSX1**  
30" Series 9 Professional Built-in Coffee Maker

### SERIES & STYLE

Series 9  
Professional



### FEATURES

- ① Professional style is designed to make a bold statement in the kitchen space. Matches with Professional style family of appliances
- ② Intuitive touch display brews a perfect cup of coffee at the touch of a button
- ③ Programmable timer turns on the Coffee Maker at the ideal time each day
- ④ Personalised coffee and smart self-learning menu preferences with 13 functions to suit any taste
- ⑤ Allows you to prepare hot milk or creamy froth in seconds
- ⑥ Stainless steel conical burr grinder with 13 coarseness positions
- ⑦ 15 bar pump pressure
- ⑧ Self-cleaning function and easy to empty coffee grounds container and drip tray
- ⑨ 81 fl oz (2.4L) water tank capacity

### ACCESSORIES

- ① Milk Container (Auto-Froth)
- ② Steam Wand
- ③ Coffee Spoon
- ④ Cleaning Brush
- ⑤ Descaler Solution - 1 bottle
- ⑥ Water Hardness Indicator Paper
- ⑦ Water Filter

The models shown in this Planning Guide may not be available in all markets and are subject to change at any time. Product specifications may vary from those shown. This Planning Guide should not be used as installation guidance for any product. Further information is required to safely and correctly install the products featured here. Specific installation guidance will be available with the product on delivery and on our website [fisherpaykel.com](https://fisherpaykel.com)



### OVERVIEW

Designed to make a bold statement in the kitchen space with a striking handle and brushed stainless steel finish, this Combi-Steam oven matches seamlessly with our Professional style family of appliances. With versatile cooking options including steam or convection, plus a Steam Clean function for easy maintenance. Precise cooking methods with temperature and heat type recommendations for a wide range of food types are easily accessed via the large touch screen and SmartHQ™.

### PRODUCTS

#### OS30NPUX3

30" Series 9 Professional Compact Combi-Steam Oven

### SERIES & STYLE

Series 9  
Professional

### ACCESSORIES

- ① Chrome Side Ladders
- ② Full Extension Sliding Shelf
- ③ Flat Wire Shelf
- ④ Roasting Dish
- ⑤ Broil Rack

### FEATURES

- ① Professional style is designed to make a bold statement in the kitchen space
- ② Versatile cooking options with steam or convection heat for optimal results
- ③ Premium soft open and close door
- ④ 1.6 cu ft useable capacity with four shelf positions
- ⑤ Large 6.8" touchscreen is intuitive and easy to use
- ⑥ Create perfect results with precise cooking methods, with temperature and heat type recommendations for your food type
- ⑦ Moisture control and even heat distribution thanks to ActiveVent™ and AeroTech™ technology
- ⑧ Steam Clean function ensures a spotless oven with minimal effort
- ⑨ Includes a wired temperature sensor for real-time monitoring of cooking temperatures
- ⑩ Connected capability via the SmartHQ™ app gives control & visibility from anywhere at anytime

### ACCESSORIES

- ⑥ Large Perforated Steam Dish
- ⑦ Small Perforated Steam Dish
- ⑧ Large Steam Dish
- ⑩ Wired Temperature Sensor
- ⑪ Descale Solution - 2 sachets (Part 580925)



The models shown in this Planning Guide may not be available in all markets and are subject to change at any time. Product specifications may vary from those shown. This Planning Guide should not be used as installation guidance for any product. Further information is required to safely and correctly install the products featured here. Specific installation guidance will be available with the product on delivery and on our website [fisherpaykel.com](http://fisherpaykel.com)



### OVERVIEW

Designed to make a bold statement in the kitchen space with a striking handle and brushed stainless steel finish, this Convection-Speed oven matches seamlessly with our Professional style family of appliances. Versatile cooking options including microwave or convection offer efficient heating across a variety of dishes. Precise cooking methods with temperature and heat type recommendations for a wide range of food types are easily accessed via the large touch screen and SmartHQ™.

### PRODUCTS

#### OM30NPUX3

30" Series 9 Professional Compact Convection-Speed Oven

### SERIES & STYLE

Series 9  
Professional



### FEATURES

- ① Professional style is designed to make a bold statement in the kitchen space. Matches with Professional style family of appliances
- ② Combines fast microwave cooking with even convection heat for versatile, efficient heating across a variety of dishes
- ③ With soft open and close, the CoolTouch door is safe to touch from the outside - protecting hands and surrounding cabinetry
- ④ Generous 1.3 cu ft useable capacity with four shelf positions
- ⑤ Large 6.8" touchscreen is intuitive and easy to use
- ⑥ Create perfect results with precise cooking methods, with temperature and heat type recommendations for your food type
- ⑦ Includes a wired temperature sensor for real-time monitoring of cooking temperatures
- ⑧ Connected capability via the SmartHQ™ app gives control & visibility from anywhere at anytime

### ACCESSORIES

- ① Chrome Side Ladders
- ② Flat Wire Shelf
- ③ Step Down Wire Shelf
- ④ Broil Rack
- ⑤ Glass Tray
- ⑥ Wired Temperature Sensor

The models shown in this Planning Guide may not be available in all markets and are subject to change at any time. Product specifications may vary from those shown. This Planning Guide should not be used as installation guidance for any product. Further information is required to safely and correctly install the products featured here. Specific installation guidance will be available with the product on delivery and on our website [fisherpaykel.com](http://fisherpaykel.com)



### OVERVIEW

Designed to make a bold statement in the kitchen space with a striking handle and brushed stainless steel finish, this Warming Drawer matches seamlessly with our Professional style family of appliances. Featuring a soft-close mechanism, intuitive touch controls, and a smooth glass base for easy cleaning. With six tailored programmes and space for 16 place settings, it keeps meals ready to serve.

### PRODUCTS

#### WB30SPEX3

30" Series 9 Professional Warming Drawer

### SERIES & STYLE

Series 9  
Professional

### FEATURES

- ① Professional style is designed to make a bold statement in the kitchen space. Matches with Professional style family of appliances
- ② Soft-close drawer for a smooth closure
- ③ Simple and intuitive touch controls for effortless operation
- ④ Easy-to-clean stainless steel finish for a bold and durable look
- ⑤ Automatic switch-off and delayed start functionality to help keep dishes warm until it is time to serve
- ⑥ Room for 16 standard-sized place settings
- ⑦ Six tailored programmes including Warming, Proofing, Dehydrating, and Slow Cooking offer convenience and flexibility

### ACCESSORIES

- ① Accessory rack for optimising space





**OVERVIEW**

Panel ready design allows for seamless integration and customisation of this Warming Drawer with kitchen cabinetry for a cohesive kitchen look. Featuring a push-to-open mechanism, intuitive touch controls, and a smooth glass base for easy cleaning. With six tailored programmes and space for 16 place settings, it keeps meals ready to serve.

**PRODUCTS**

**WB30SDEI3\***  
30" Series 9 Integrated Warming Drawer

\*Panel ready.

**SERIES & STYLE**

Series 9  
Integrated

**FEATURES**

- ① Panel ready design allows for seamless integration and customisation with kitchen cabinetry for a cohesive kitchen look
- ② Push-to-open drawer, designed for added convenience
- ③ Simple and intuitive touch controls for effortless operation
- ④ Automatic switch-off and delayed start functionality, to help keep dishes warm until it is time to serve
- ⑤ Room for 16 standard-sized place settings
- ⑥ Six tailored programmes including Warming, Proofing, Dehydrating, and Slow Cooking offer convenience and flexibility

**ACCESSORIES**

- ① Accessory rack for optimising space



The models shown in this Planning Guide may not be available in all markets and are subject to change at any time. Product specifications may vary from those shown. This Planning Guide should not be used as installation guidance for any product. Further information is required to safely and correctly install the products featured here. Specific installation guidance will be available with the product on delivery and on our website [fisherpaykel.com](http://fisherpaykel.com)



### OVERVIEW

Designed to make a bold statement in the kitchen space with a striking handle and brushed stainless steel finish, this Vacuum Seal Drawer matches seamlessly with our Professional style family of appliances. A soft-close mechanism and intuitive touch controls offer effortless use, while three vacuum and heat sealing levels support sous vide preparation, marinating, and food storage, using reusable and BPA-free food-grade bags.

### FEATURES

- ① Professional style is designed to make a bold statement in the kitchen space. Matches with Professional style family of appliances
- ② Soft-close drawer for a smooth closure
- ③ Simple and intuitive touch controls for effortless operation
- ④ Easy-to-clean stainless steel finish for a bold and durable look
- ⑤ Three levels of vacuum and heat sealing - for easy re-sealing, food portioning, marinating, storage and extending shelf life
- ⑥ Allows effortless preparation for sous vide cooking
- ⑦ Our food-grade, BPA-free bags are an excellent storage option – these can be re-used if sealed and cut appropriately

### PRODUCTS

#### VB30SPEX3

30" Series 9 Professional Vacuum Seal Drawer

### SERIES & STYLE

Series 9  
Professional

### ACCESSORIES

- ① Large BPA-free Vacuum Bags - 50 bags (Part 793034)
- ② Small BPA-free Vacuum Bags - 50 bags (Part 793033)
- ③ External Vacuuming Accessory Kit



The models shown in this Planning Guide may not be available in all markets and are subject to change at any time. Product specifications may vary from those shown. This Planning Guide should not be used as installation guidance for any product. Further information is required to safely and correctly install the products featured here. Specific installation guidance will be available with the product on delivery and on our website [fisherpaykel.com](http://fisherpaykel.com)



### OVERVIEW

Panel ready design allows for seamless integration and customisation of this Vacuum Seal Drawer with kitchen cabinetry for a cohesive kitchen look. A push-to-open mechanism and intuitive touch controls offer effortless use, while three vacuum and heat sealing levels support sous vide preparation, marinating, and food storage, using reusable and BPA-free food-grade bags.

### PRODUCTS

**VB30SDEI3\***  
30" Series 9 Integrated Vacuum Seal Drawer

\*Panel ready.

### SERIES & STYLE

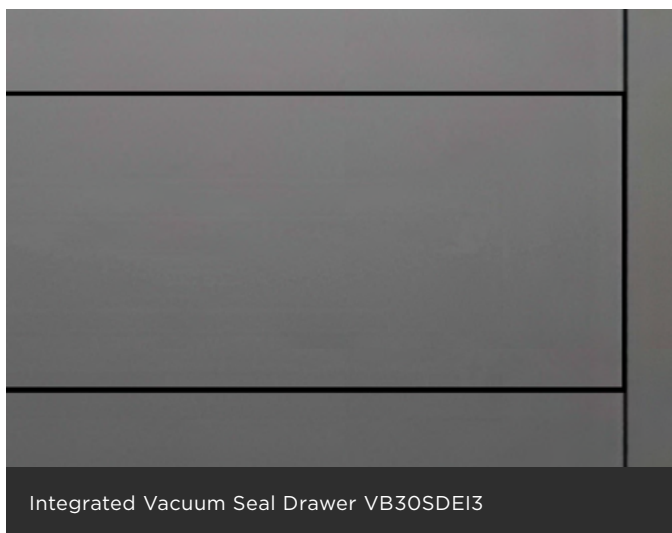
Series 9  
Integrated

### FEATURES

- ① Panel ready design allows for seamless integration and customisation with kitchen cabinetry for a cohesive kitchen look
- ② Push-to-open drawer, designed for added convenience
- ③ Simple and intuitive touch controls for effortless operation
- ④ Three levels of vacuum and heat sealing - for easy re-sealing, food portioning, marinating, storage and extending shelf life
- ⑤ Allows effortless preparation for sous vide cooking
- ⑥ Our food-grade, BPA-free bags are an excellent storage option — these can be re-used if sealed and cut appropriately

### ACCESSORIES

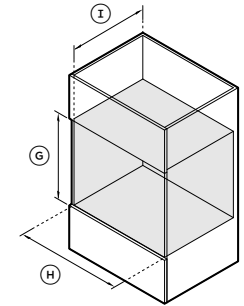
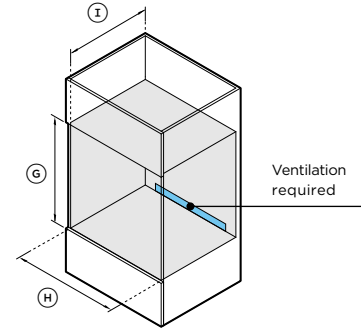
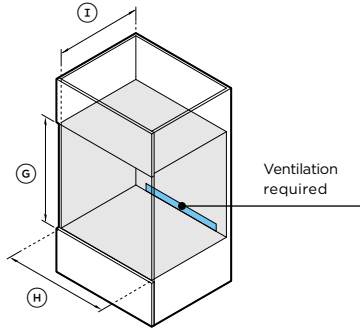
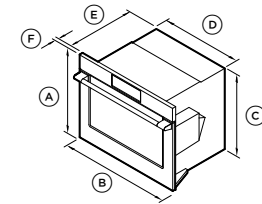
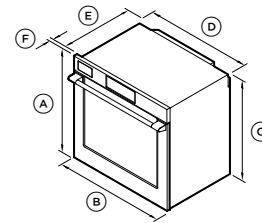
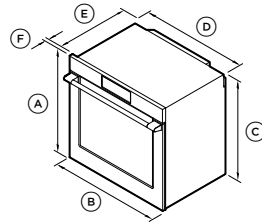
- ① Large BPA-free Vacuum Bags - 50 bags (Part 793034)
- ② Small BPA-free Vacuum Bags - 50 bags (Part 793033)
- ③ External Vacuuming Accessory Kit



The models shown in this Planning Guide may not be available in all markets and are subject to change at any time. Product specifications may vary from those shown. This Planning Guide should not be used as installation guidance for any product. Further information is required to safely and correctly install the products featured here. Specific installation guidance will be available with the product on delivery and on our website [fisherpaykel.com](http://fisherpaykel.com)

**PRODUCT DIMENSIONS**

**CAVITY DIMENSIONS**



PRODUCT DIMENSIONS	
(A) Overall height	
(B) Overall width	
(C) Chassis height	
(D) Chassis width	
(E) Chassis depth	
(F) Control panel thickness	
Depth with door fully open*	

SELF-CLEANING OVEN OB30SPPIX3		
	inch	mm
(A) Overall height	28 11/16	729
(B) Overall width	29 7/8	758
(C) Chassis height	27 7/8	708
(D) Chassis width	28 3/8	720
(E) Chassis depth	22 5/8	575
(F) Control panel thickness	15/16	24
Depth with door fully open*	23 1/4	590

SELF-CLEANING STEAM ASSIST OVEN OB30SPPSUX3		
	inch	mm
(A) Overall height	28 11/16	729
(B) Overall width	29 7/8	758
(C) Chassis height	27 7/8	708
(D) Chassis width	28 3/8	720
(E) Chassis depth	22 5/8	575
(F) Control panel thickness	15/16	24
Depth with door fully open*	23 1/4	590

COMBI-STEAM OVEN OS30SPUX3		
	inch	mm
(A) Overall height	23 9/16	598
(B) Overall width	29 7/8	758
(C) Chassis height	22 5/8	575
(D) Chassis width	28 3/8	720
(E) Chassis depth	22 7/16	545
(F) Control panel thickness	15/16	24
Depth with door fully open*	18 1/8	460

CAVITY DIMENSIONS	
(G) Minimum inside height of cavity	
(H) Minimum inside width of cavity	
(I) Minimum inside depth of cavity*	
Recommended cabinet height	
Recommended cabinet width	

	inch	mm
(G) Minimum inside height of cavity	28 1/32	712
(H) Minimum inside width of cavity	28 1/2	724
(I) Minimum inside depth of cavity*	23 1/2**	597**
Recommended cabinet height	28 3/4	731
Recommended cabinet width	30	762

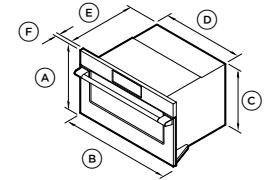
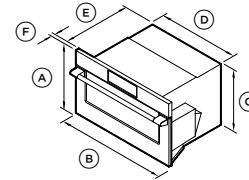
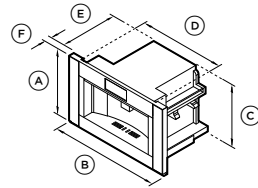
	inch	mm
(G) Minimum inside height of cavity	28 1/32	712
(H) Minimum inside width of cavity	28 1/2	724
(I) Minimum inside depth of cavity*	23 1/2**	597**
Recommended cabinet height	28 3/4	731
Recommended cabinet width	30	762

	inch	mm
(G) Minimum inside height of cavity	22 13/16	580
(H) Minimum inside width of cavity	28 1/2	724
(I) Minimum inside depth of cavity*	21 5/8	550
Recommended cabinet height	23 5/8	600
Recommended cabinet width	30	762

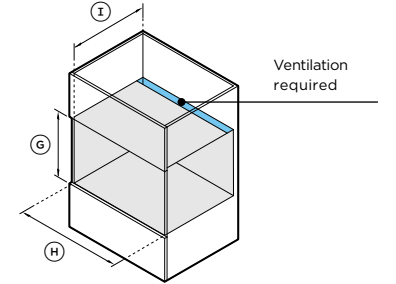
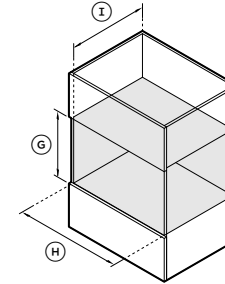
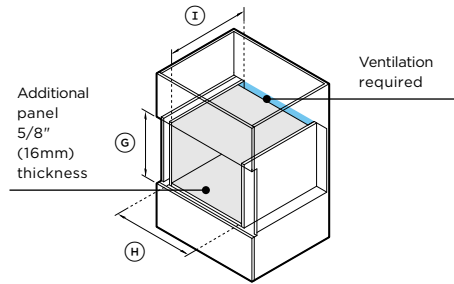
\*Measured from front of chassis.\*\*Requires ventilation at the rear of the cavity. For more information, refer to the 'Ventilation' section of this Planning Guide.

The models shown in this Planning Guide may not be available in all markets and are subject to change at any time. Product specifications may vary from those shown. This Planning Guide should not be used as installation guidance for any product. Further information is required to safely and correctly install the products featured here. Specific installation guidance will be available with the product on delivery and on our website fisherpaykel.com

PRODUCT DIMENSIONS



CAVITY DIMENSIONS



BUILT-IN COFFEE MAKER  
EB30PSX1

PRODUCT DIMENSIONS	
(A) Overall height	
(B) Overall width	
(C) Chassis height	
(D) Chassis width	
(E) Chassis depth	
(F) Control panel thickness	
Depth with door fully open**	

	inch	mm
(A) Overall height	18 1/2*	470*
(B) Overall width	29 13/16*	757*
(C) Chassis height	17 7/16	442
(D) Chassis width	22 1/16	560
(E) Chassis depth	17 6/16	445
(F) Control panel thickness	1 9/16*	40*
Depth with door fully open**	-	-

COMPACT COMBI-STEAM OVEN  
OS30NPUX3

	inch	mm
(A) Overall height	18	458
(B) Overall width	29 7/8	758
(C) Chassis height	17 1/8	435
(D) Chassis width	28 3/8	720
(E) Chassis depth	21 7/16	545
(F) Control panel thickness	15/16	24
Depth with door fully open**	12 5/8	320

COMPACT CONVECTION-SPEED OVEN  
OM30NPUX3

	inch	mm
(A) Overall height	18	458
(B) Overall width	29 7/8	758
(C) Chassis height	17 1/8	435
(D) Chassis width	28 3/8	720
(E) Chassis depth	21 7/16	545
(F) Control panel thickness	15/16	24
Depth with door fully open**	12 5/8	320

\*Measurements with trim kit. \*\*Measured from front of control panel.

CAVITY DIMENSIONS

(G) Minimum inside height of cavity	
(H) Minimum inside width of cavity	
(I) Minimum inside depth of cavity*	
Recommended cabinet height	
Recommended cabinet width	

	inch	mm
(G) Minimum inside height of cavity	18 3/8****	466****
(H) Minimum inside width of cavity	22 1/16***	560***
(I) Minimum inside depth of cavity*	21 1/2**	545**
Recommended cabinet height	18 9/16	472
Recommended cabinet width	30	762

	inch	mm
(G) Minimum inside height of cavity	17 5/16	440
(H) Minimum inside width of cavity	28 1/2	724
(I) Minimum inside depth of cavity*	21 5/8	550
Recommended cabinet height	18 1/8	460
Recommended cabinet width	30	762

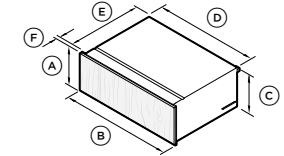
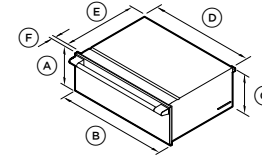
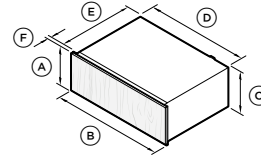
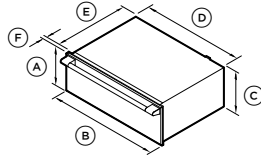
	inch	mm
(G) Minimum inside height of cavity	17 5/16	440
(H) Minimum inside width of cavity	28 1/2	724
(I) Minimum inside depth of cavity*	21 5/8**	550**
Recommended cabinet height	18 1/8	460
Recommended cabinet width	30	762

\*Measured from front of chassis. \*\*Requires ventilation at the rear of the cavity. For more information, refer to the 'Ventilation' section of this Planning Guide. \*\*\*Cabinetry requires additional vertical sidewalls to secure the product. \*\*\*\*Includes spacer thickness, Spacer required only for standalone installation.

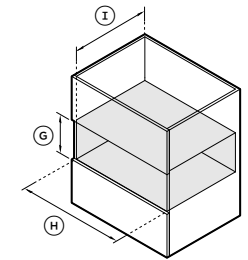
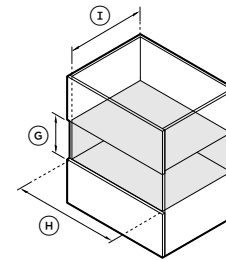
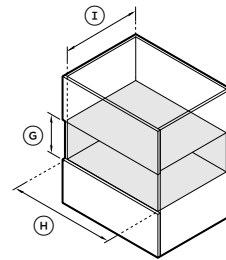
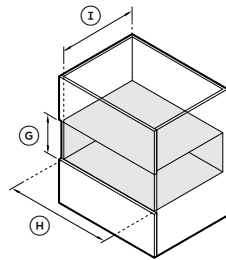
Note: Built-In Coffee Maker measurements are different to other products. Configurations are possible, but consider installation requirements.

The models shown in this Planning Guide may not be available in all markets and are subject to change at any time. Product specifications may vary from those shown. This Planning Guide should not be used as installation guidance for any product. Further information is required to safely and correctly install the products featured here. Specific installation guidance will be available with the product on delivery and on our website fisherpaykel.com

PRODUCT DIMENSIONS



CAVITY DIMENSIONS



**WARMING DRAWER**  
WB30SPEX3

**INTEGRATED WARMING DRAWER**  
WB30SDEI3

**VACUUM SEAL DRAWER**  
VB30SPEX3

**INTEGRATED VACUUM SEAL DRAWER**  
VB30SDEI3

PRODUCT DIMENSIONS

	inch	mm
(A) Overall height	10 11/16	271
(B) Overall width	29 7/8	758
(C) Chassis height	10 11/16	271
(D) Chassis width	27 3/4	704
(E) Chassis depth*	21 9/16	547
(F) Front panel thickness	15/16	24
Front panel height	10 1/2	267
Front panel width	29 7/8	758

	inch	mm
(A) Overall height	10 11/16	271
(B) Overall width	29 7/8	758
(C) Chassis height	10 11/16	271
(D) Chassis width	28 15/32	723
(E) Chassis depth*	22 9/32	566
(F) Front panel thickness	min 5/8***	min 16***
Front panel height	min 10 1/2	min 267
Front panel width	min 29 7/8	min 758

	inch	mm
(A) Overall height	10 11/16	271
(B) Overall width	29 7/8	758
(C) Chassis height	10 11/16	271
(D) Chassis width	28 1/2**	724**
(E) Chassis depth*	21 11/16	551
(F) Front panel thickness	15/16*	24
Front panel height	10 1/2	267
Front panel width	29 7/8	758

	inch	mm
(A) Overall height	10 11/16	271
(B) Overall width	29 7/8	758
(C) Chassis height	10 11/16	271
(D) Chassis width	28 15/32**	723**
(E) Chassis depth*	22 1/2	572
(F) Front panel thickness	min 5/8***	min 16***
Front panel height	min 10 1/2	min 267
Front panel width	min 29 7/8	min 758

\*Including power plug. \*\*Including side brackets. \*\*\*A clearance of 1/16" (2mm) between the cabinet and the custom panel is required for the push-to-open mechanism (spacer included). Maximum custom panel weight 11 lb (5kg).

CAVITY DIMENSIONS

	inch	mm
(G) Minimum inside height of cavity	10 3/4	273
(H) Minimum inside width of cavity	28 1/2	724
(I) Minimum inside depth of cavity*	22 13/16	580
Recommended cabinet height	10 3/4	273
Recommended cabinet width	30	762

	inch	mm
(G) Minimum inside height of cavity	10 3/4	273
(H) Minimum inside width of cavity	28 1/2	724
(I) Minimum inside depth of cavity*	22 13/16	580
Recommended cabinet height	10 3/4	273
Recommended cabinet width	30	762

	inch	mm
(G) Minimum inside height of cavity	10 3/4	273
(H) Minimum inside width of cavity	28 1/2	724
(I) Minimum inside depth of cavity*	22 13/16	580
Recommended cabinet height	10 3/4	273
Recommended cabinet width	30	762

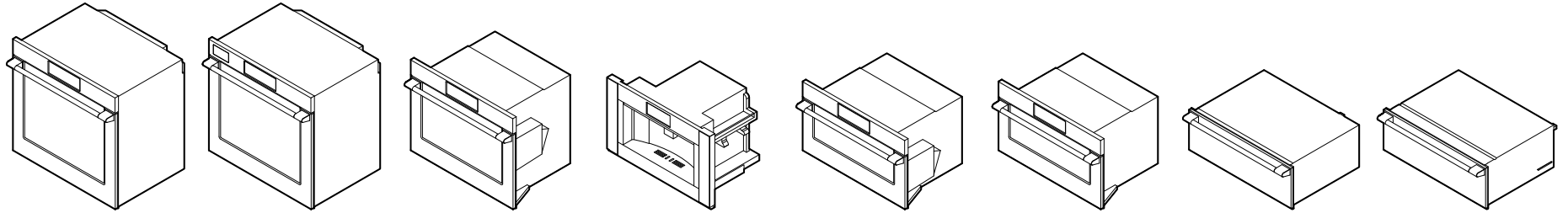
	inch	mm
(G) Minimum inside height of cavity	10 3/4	273
(H) Minimum inside width of cavity	28 1/2	724
(I) Minimum inside depth of cavity*	22 13/16	580
Recommended cabinet height	10 3/4	273
Recommended cabinet width	30	762

\*Measured from front of chassis.

Note: Drawers can fully support 30inch Fisher & Paykel ovens, without adding shelf in between.

The models shown in this Planning Guide may not be available in all markets and are subject to change at any time. Product specifications may vary from those shown. This Planning Guide should not be used as installation guidance for any product. Further information is required to safely and correctly install the products featured here. Specific installation guidance will be available with the product on delivery and on our website fisherpaykel.com

ISOMETRIC  
VIEW

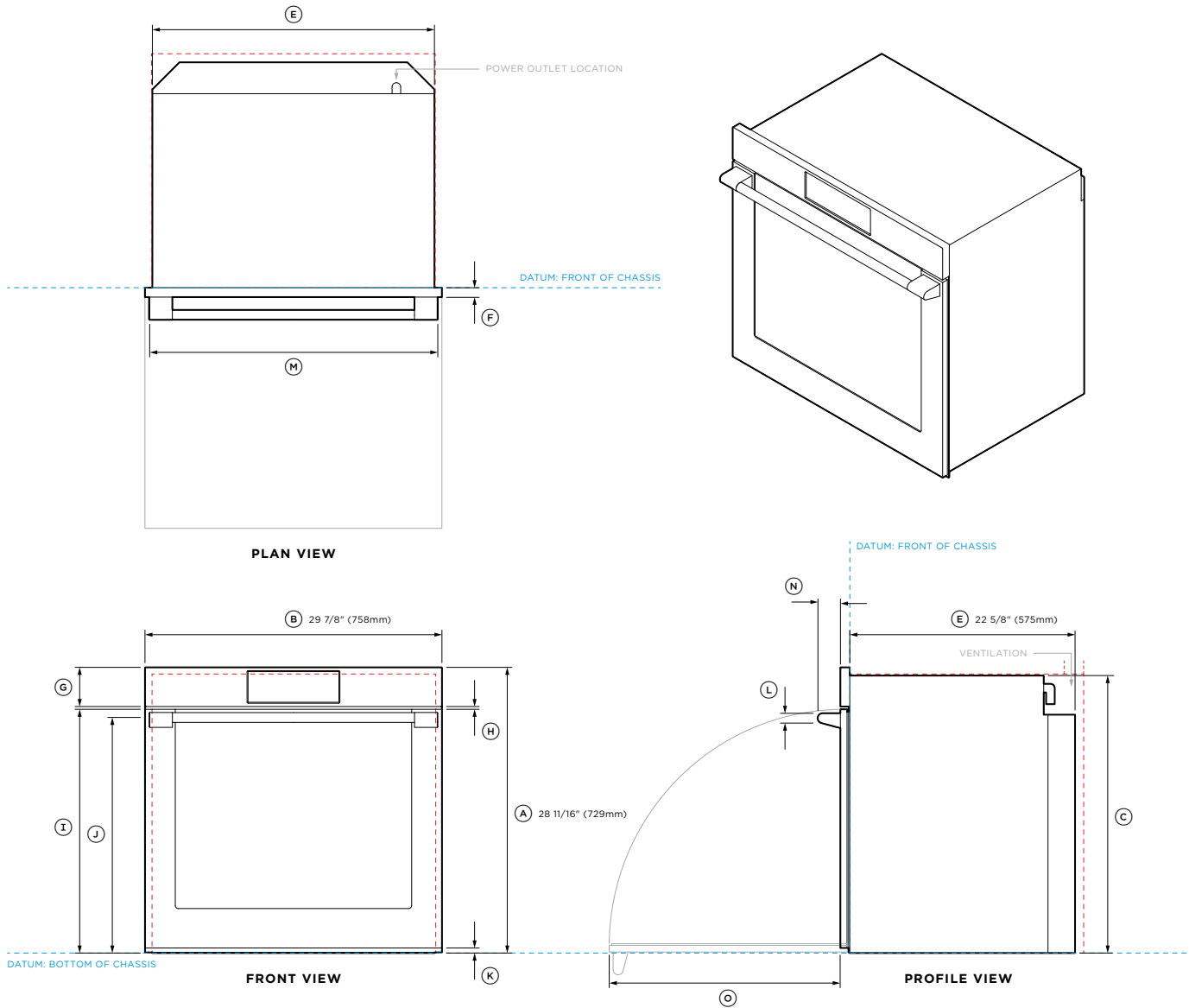


	<b>SELF-CLEANING OVEN</b> OB30SPUX3	<b>SELF-CLEANING STEAM ASSIST OVEN</b> OB30SPSUX3	<b>COMBI-STEAM OVEN</b> OS30SPUX3	<b>BUILT-IN COFFEE MAKER</b> EB30PSX1	<b>COMPACT COMBI-STEAM OVEN</b> OS30NPUX3	<b>COMPACT CONVECTION-SPEED OVEN</b> OM30NPUX3	<b>WARMING DRAWER</b> WB30SPEX3, WB30SDEI3	<b>VACUUM SEAL DRAWER</b> VB30SPEX3, VB30SDEI3
<b>PRODUCT REQUIREMENTS</b>								
Supply	208 or 240 V, 60 Hz	208 or 240 V, 60 Hz	208 or 240 V, 60 Hz	120 V, 60 Hz	208 or 240 V, 60 Hz	208 or 240 V, 60 Hz	120 V, 60 Hz	120 V, 60 Hz
Service	20 A	20 A	20 A	15 A	20 A	20 A	15 A	15 A
Connection	Hard wired 78 3/4"(2000mm)	Hard wired 78 3/4"(2000mm)	Hard wired 78 3/4"(2000mm)	Plug with flex cord 66 15/16" (1700mm)	Hard wired 78 3/4"(2000mm)	Hard wired 78 3/4"(2000mm)	Plug with flex cord 70 7/8" (1800mm)	Plug with flex cord 70 7/8" (1800mm)
<b>WEIGHT</b>								
Packaged	211lb (96kg)	216lb (98kg)	152lb (69kg)	68lb (31kg)	121lb (55kg)	121lb (55kg)	82lb(37kg) Integrated 60lb (27kg)	120lb( kg) Integrated 106lb (48kg)
Unpackaged	178lb (81kg)	183lb (83kg)	119lb (54kg)	60lb (27kg)	101lb (46kg)	101lb (46kg)	73lb(33kg) Integrated 51lb (23kg)	110lb( kg) Integrated 99lb (45kg)
<b>CAPACITY</b>								
Total Oven capacity	4.9cu ft (137L)	4.9cu ft (137L)	3cu ft (85L)	-	1.9cu ft (55L)	1.7cu ft (49L)	-	-
Total water tank capacity	-	22.65fl oz (0.67L)	47.3fl oz (1.4L)	81 fl oz (2.4L)	47.3fl oz (1.4L)	-	-	-

Note: All Coffee Makers and Steam Ovens have internal water tanks which need to be filled manually. No external water supply is required.

The models shown in this Planning Guide may not be available in all markets and are subject to change at any time. Product specifications may vary from those shown. This Planning Guide should not be used as installation guidance for any product. Further information is required to safely and correctly install the products featured here. Specific installation guidance will be available with the product on delivery and on our website fisherpaykel.com

## DATA SHEETS



**Model no:**

OB30SPPUX3 30" Series 9 Professional Self-Cleaning Oven

Product Dimensions	inch	mm
(A) Overall height of product	28 11/16	729
(B) Overall width of product	29 7/8	758
(C) Height of chassis	27 7/8	708
(D) Width of chassis	28 3/8	720
(E) Depth of chassis	22 5/8	575
(F) Thickness of control panel (excludes handle)	15/16	24
(G) Height of control panel	3 15/16	100
(H) Gap between door and control panel	9/32	7
(I) Height from bottom datum to top of door	24 1/2	622
(J) Height from bottom datum to centerline of handle rail	23 21/32	601
(K) Visual gap height	1/2	13
(L) Thickness of handle rail	1	25
(M) Width of handle	29	737
(N) Depth of handle	2 9/32	58
(O) Depth with door fully open*	23 3/8	594

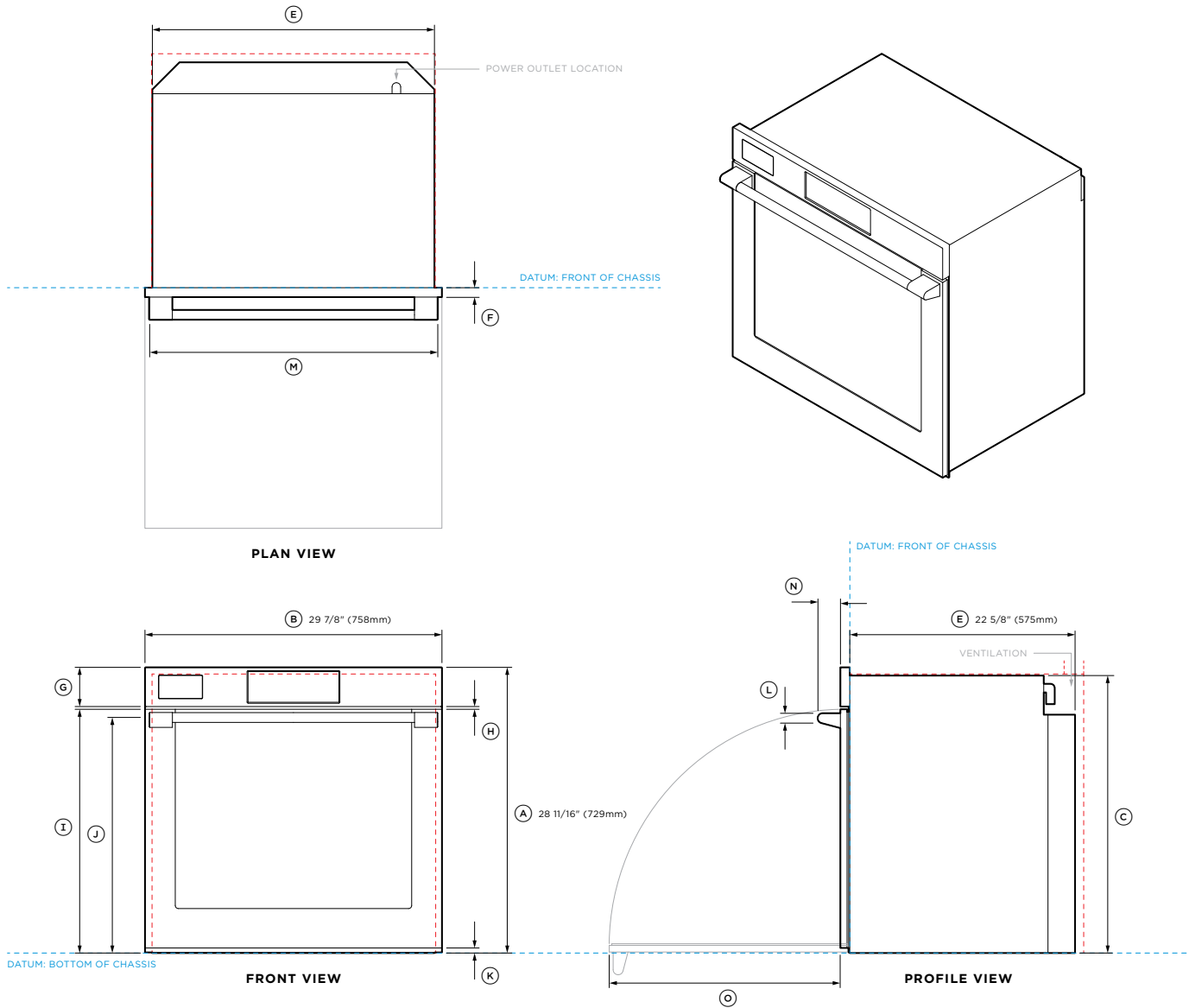
\*Measured from front of control panel.

Minimum Clearances	inch	mm
Minimum inside height of cavity	28 1/32	712
Minimum inside width of cavity	28 1/2	724
Minimum inside depth of cavity*	23 1/2	597
Rear ventilation height**	2 5/32	55
Rear ventilation width**	24	600
Minimum clearance above products control panel to upper cabinetry front panel or appliance	1/16	2
Minimum clearance between bottom of chassis to lower cabinetry front panel or appliance	1/16	2
Minimum clearance between adjacent front panel or appliance	1/16	2
Recommended cabinet height	28 3/4	731
Recommended cabinet width	30	762

\*Measured from front of chassis.

\*\*A minimum ventilation area of 51in<sup>2</sup> (330cm<sup>2</sup>), equivalent to 2" x 22 1/16" 2 5/32" x 24" (55mm x 600mm), is required. For more information, refer to the 'Ventilation' section of this Planning Guide.

IMPORTANT NOTE: Throughout this guide, dimensions may vary by ±2mm (1/16"). Please read the installation manual for detailed information on installing the product. For full installation instructions & specifications visit [fisherpaykel.com](http://fisherpaykel.com)



**Model no:**

OB30SPPSUX3 30" Series 11 Professional Self-Cleaning Steam Assist Oven

Product Dimensions	inch	mm
(A) Overall height of product	28 11/16	729
(B) Overall width of product	29 7/8	758
(C) Height of chassis	27 7/8	708
(D) Width of chassis	28 3/8	720
(E) Depth of chassis	22 5/8	575
(F) Thickness of control panel (excludes handle)	15/16	24
(G) Height of control panel	3 15/16	100
(H) Gap between door and control panel	9/32	7
(I) Height from bottom datum to top of door	24 1/2	622
(J) Height from bottom datum to centerline of handle rail	23 21/32	601
(K) Visual gap height	1/2	13
(L) Thickness of handle rail	1	25
(M) Width of handle	29	737
(N) Depth of handle	2 9/32	58
(O) Depth with door fully open*	23 3/8	594

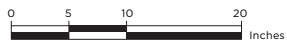
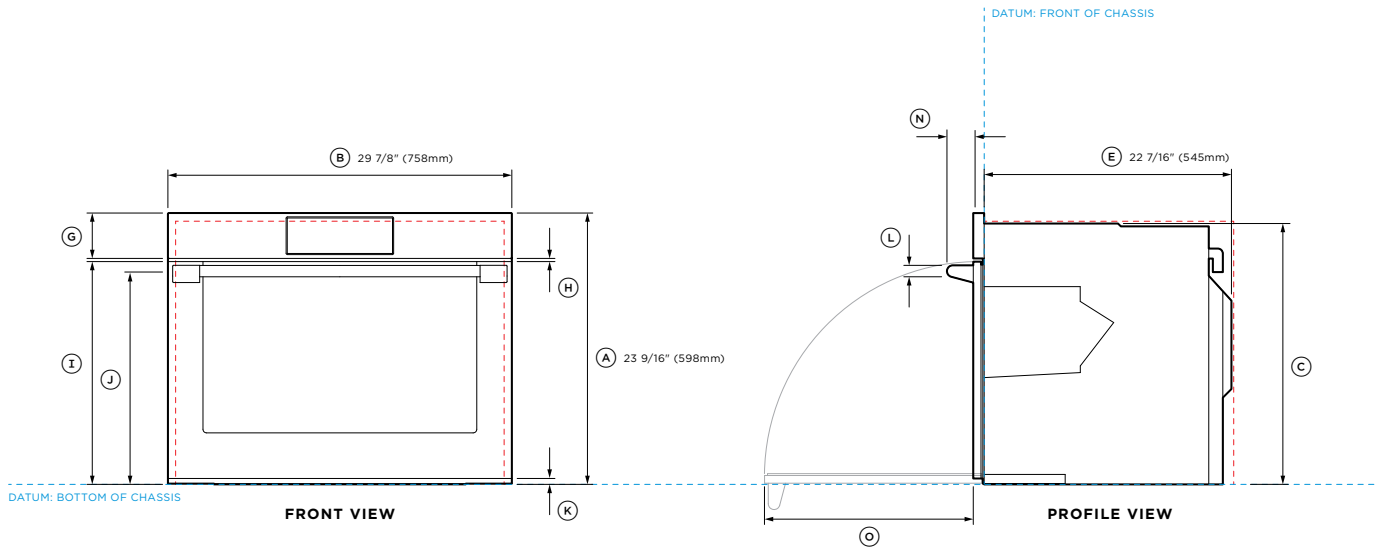
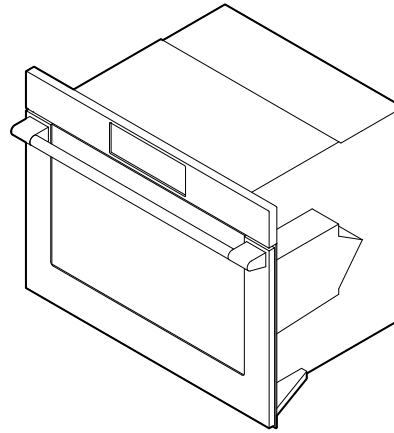
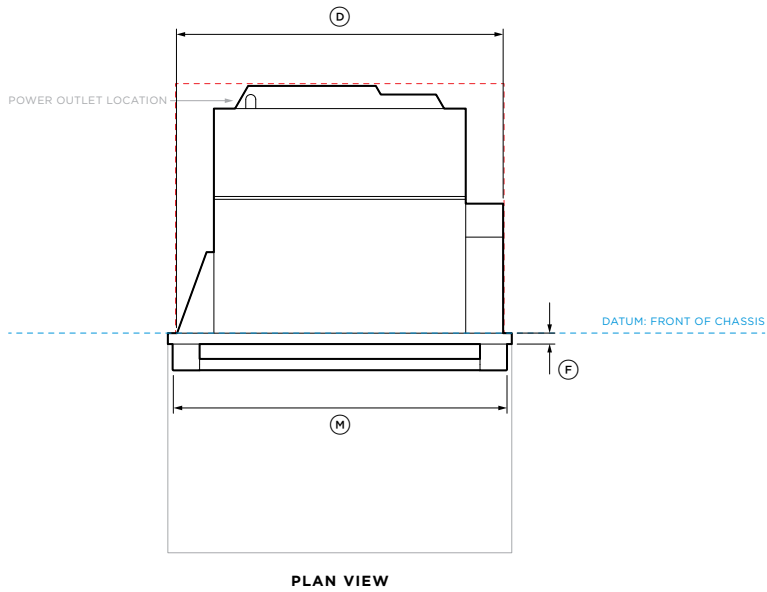
\*Measured from front of control panel.

Minimum Clearances	inch	mm
Minimum inside height of cavity	28 1/32	712
Minimum inside width of cavity	28 1/2	724
Minimum inside depth of cavity*	23 1/2	597
Rear ventilation height**	2 5/32	55
Rear ventilation width**	24	600
Minimum clearance above products control panel to upper cabinetry front panel or appliance	1/16	2
Minimum clearance between bottom of chassis to lower cabinetry front panel or appliance	1/16	2
Minimum clearance between adjacent front panel or appliance	1/16	2
Recommended cabinet height	28 3/4	731
Recommended cabinet width	30	762

\*Measured from front of chassis.

\*\*A minimum ventilation area of 51in<sup>2</sup> (330cm<sup>2</sup>), equivalent to 2" x 22 1/16" 2 5/32" x 24" (55mm x 600mm), is required. For more information, refer to the 'Ventilation' section of this Planning Guide.

IMPORTANT NOTE: Throughout this guide, dimensions may vary by ±2mm (1/16"). Please read the installation manual for detailed information on installing the product. For full installation instructions & specifications visit fisherpaykel.com



**Model no:**

OS30SPUX3 30" Series 11 Professional Combi-Steam Oven

Product Dimensions	inch	mm
(A) Overall height of product	23 9/16	598
(B) Overall width of product	29 7/8	758
(C) Height of chassis	22 5/8	575
(D) Width of chassis	28 3/8	720
(E) Depth of chassis	22 7/16	545
(F) Thickness of control panel (excludes handle)	15/16	24
(G) Height of control panel	3 15/16	100
(H) Gap between door and control panel	9/32	7
(I) Height from bottom datum to top of door	19 5/16	491
(J) Height from bottom datum to centerline of handle rail	18 1/2	470
(K) Visual gap height	1/2	13
(L) Thickness of handle	1	25
(M) Width of handle	29	737
(N) Depth of handle	2 9/32	58
(O) Depth with door fully open*	18 1/8	460

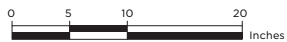
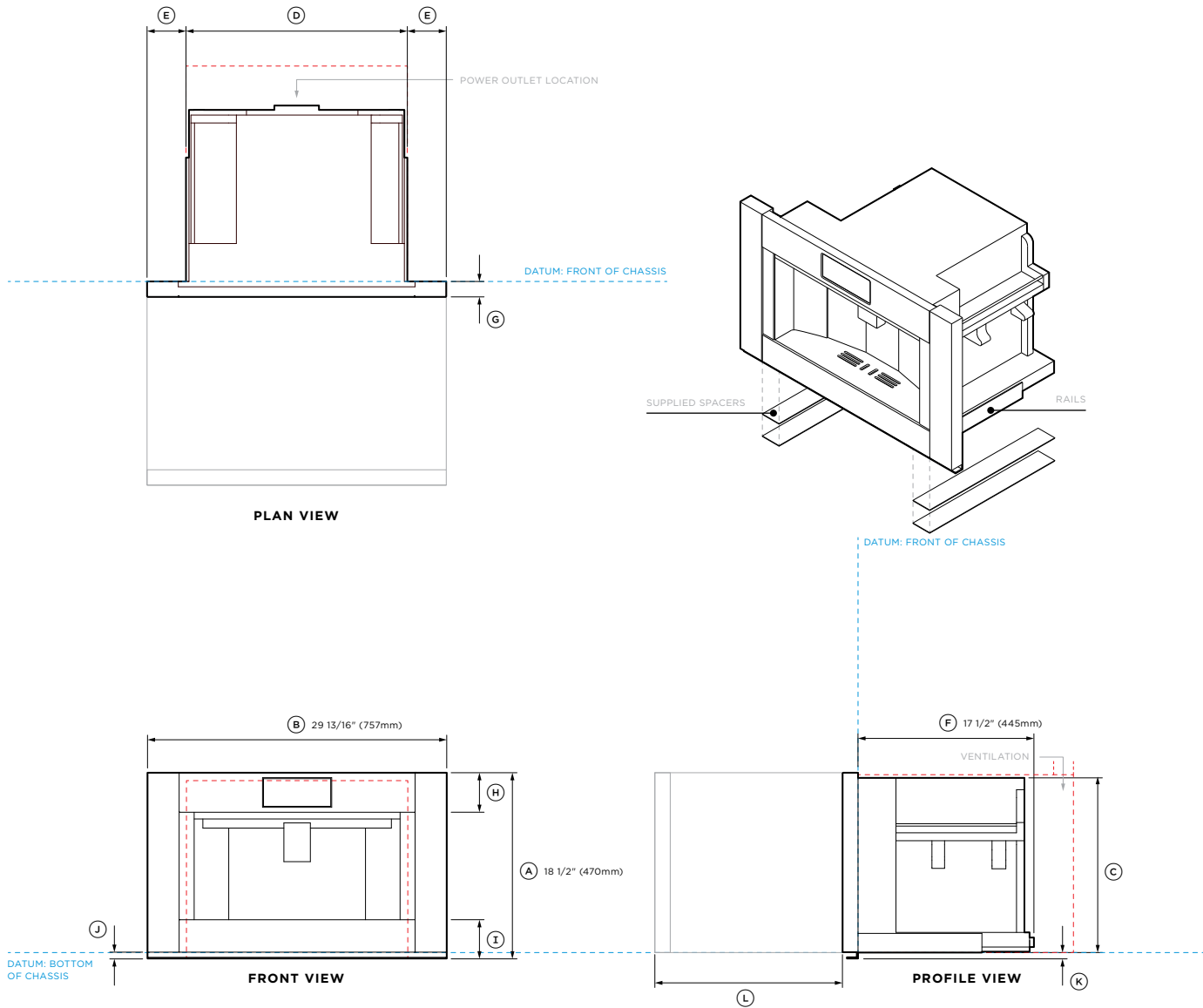
\*Measured from front of control panel.

Minimum Clearances	inch	mm
Minimum inside height of cavity	22 13/16	580
Minimum inside width of cavity	28 1/2	724
Minimum inside depth of cavity*	21 5/8	550
Minimum clearance above products control panel to upper cabinetry front panel or appliance	1/16	2
Minimum clearance between adjacent front panel or appliance	1/16	2
Recommended cabinet height	23 5/8	600
Recommended cabinet width	30	762

\*Measured from front of chassis.

----- INDICATES PRODUCT DATUM  
 - - - - - INDICATES CABINETRY CLEARANCES

IMPORTANT NOTE: Throughout this guide, dimensions may vary by ±2mm (1/16"). Please read the installation manual for detailed information on installing the product. For full installation instructions & specifications visit [fisherpaykel.com](http://fisherpaykel.com)



**Model no:**  
EB30PSX1 30" Series 9 Professional Built-in Coffee Maker

Product Dimensions		inch	mm
Ⓐ	Overall height of product	18 1/2	470
Ⓑ	Overall width of product	29 13/16	757
Ⓒ	Height of chassis	17 7/16	442
Ⓓ	Width of chassis	22 1/16	560
Ⓔ	Distance from side of chassis to front panel	3 7/8	98.5
Ⓕ	Depth of chassis	17 1/2	445
Ⓖ	Thickness of control panel	1 9/16	40
Ⓗ	Height of control panel	3 15/16	100
Ⓘ	Height of horizontal lower section from bottom datum	3 7/8	98
Ⓙ	Visual gap height	5/8	16
Ⓚ	Height from bottom of chassis to bottom of lower trim	5/8	15
Ⓛ	Depth of built-in coffee maker fully pulled out*	18 11/16	475

\*Measured from front of control panel.

Minimum Clearances		inch	mm
Minimum inside height of cavity*		17 3/4	450
Minimum inside width of cavity**		22 1/16	560
Minimum inside depth of cavity***		21 1/2	545
Rear ventilation height****		2	50
Rear ventilation width****		22 1/16	560

Minimum clearance above products control panel to upper cabinetry front panel or appliance	1/16	2
Minimum clearance between bottom of chassis to lower cabinetry front panel or appliance	1/16	2
Minimum clearance between adjacent front panel or appliance	3/32	2.5
Recommended cabinet height	18 9/16	472
Recommended cabinet width	30	762

\*Additional panel of 5/8" (16mm) required at the base of the cavity for under bottom of chassis for standalone installation only.

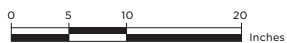
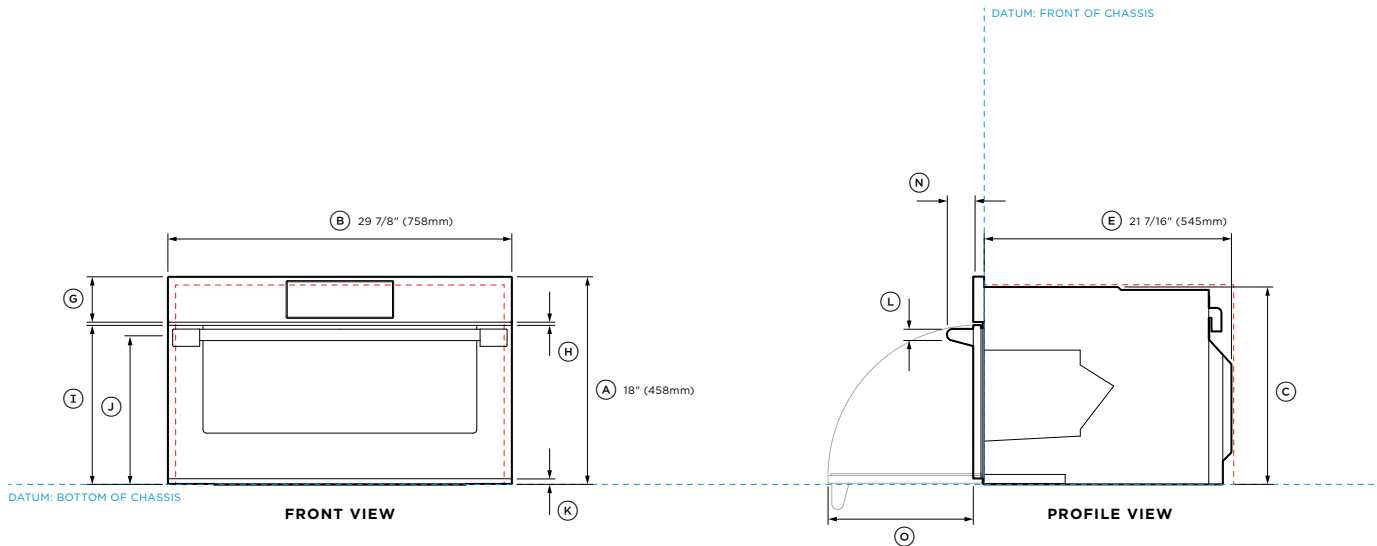
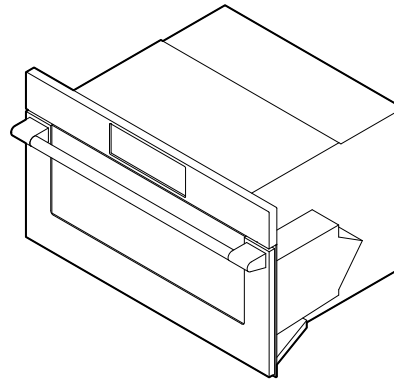
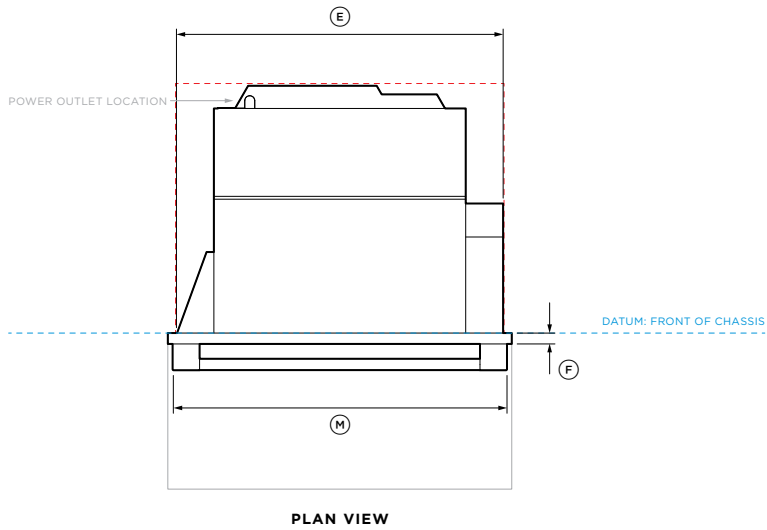
\*\*Cabinetry requires additional vertical sidewalls to secure the product.

\*\*\*Measured from front of chassis.

\*\*\*\*A minimum ventilation area of 43.4in<sup>2</sup> (280cm<sup>2</sup>), equivalent to 2" x 22 1/16" (50mm x 560mm), is required. For more information, refer to the 'Ventilation' section of this Planning Guide.

----- INDICATES PRODUCT DATUM  
----- INDICATES CABINETRY CLEARANCES

**IMPORTANT NOTE:** Throughout this guide, dimensions may vary by ±2mm (1/16"). Please read the installation manual for detailed information on installing the product. For full installation instructions & specifications visit [fisherpaykel.com](http://fisherpaykel.com)



**Model no:**

OS30NPUX3 30" Series 9 Professional Compact Combi-Steam Oven

**Product Dimensions**

	inch	mm
Ⓐ Overall height of product	18	458
Ⓑ Overall width of product	29 7/8	758
Ⓒ Height of chassis	17 1/8	435
Ⓓ Width of chassis	28 3/8	720
Ⓔ Depth of chassis	21 7/16	545
Ⓕ Thickness of control panel (excludes handle)	15/16	24
Ⓖ Height of control panel	3 15/16	100
Ⓗ Gap between door and control panel	9/32	7
Ⓘ Height from bottom datum to top of door	13 13/16	351
Ⓝ Height from bottom datum to centerline of handle rail	13	330
Ⓚ Visual gap height	1/2	13
Ⓛ Thickness of handle rail	1	25
Ⓜ Width of handle	29	737
Ⓝ Depth of handle	2 9/32	58
Ⓞ Depth with door fully open*	12 5/8	320

\*Measured from front of control panel.

**Minimum Clearances**

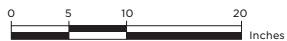
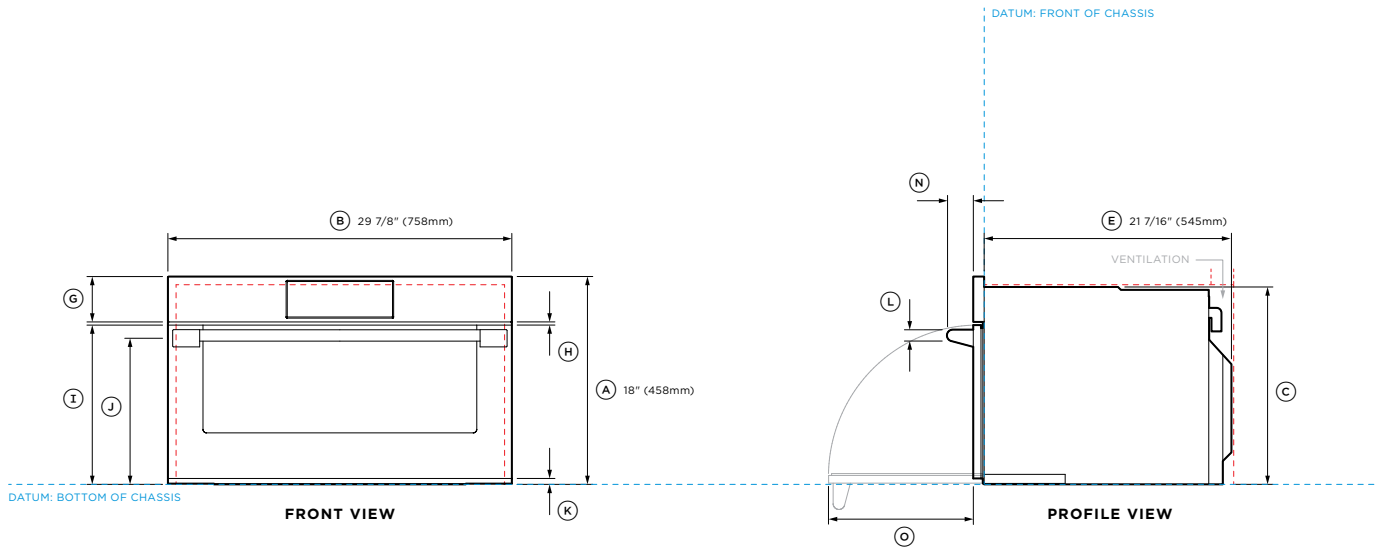
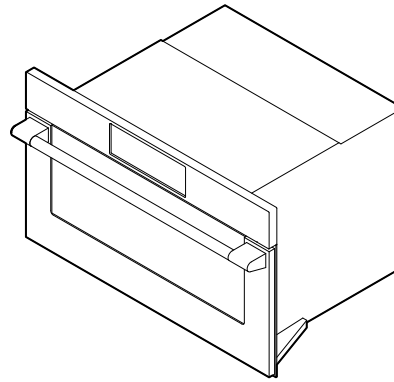
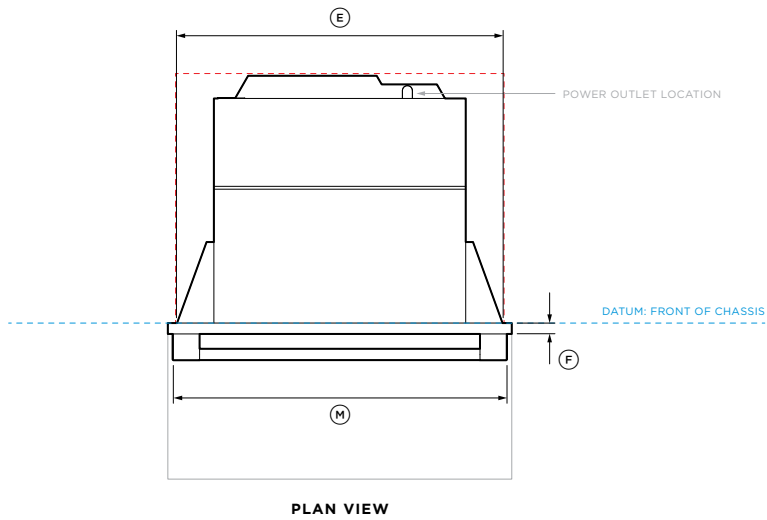
	inch	mm
Minimum inside height of cavity	17 5/16	440
Minimum inside width of cavity	28 1/2	724
Minimum inside depth of cavity*	21 5/8	550
Minimum clearance above products control panel to upper cabinetry front panel or appliance	1/16	2
Minimum clearance between adjacent front panel or appliance	1/16	2
Recommended cabinet height	18 1/8	460
Recommended cabinet width	30	762

\*Measured from front of chassis.

----- INDICATES PRODUCT DATUM

----- INDICATES CABINERY CLEARANCES

IMPORTANT NOTE: Throughout this guide, dimensions may vary by ±2mm (1/16"). Please read the installation manual for detailed information on installing the product. For full installation instructions & specifications visit [fisherpaykel.com](http://fisherpaykel.com)



**Model no:**

OM30NPUX3 30" Series 9 Professional Compact Convection-Speed Oven

Product Dimensions	inch	mm
Ⓐ Overall height of product	18	458
Ⓑ Overall width of product	29 7/8	758
Ⓒ Height of chassis	17 1/8	435
Ⓓ Width of chassis	28 3/8	720
Ⓔ Depth of chassis	21 7/16	545
Ⓕ Thickness of control panel (excludes handle)	15/16	24
Ⓖ Height of control panel	3 15/16	100
Ⓗ Gap between door and control panel	9/32	7
Ⓘ Height from bottom datum to top of door	13 13/16	351
Ⓝ Height from bottom datum to centerline of handle rail	13	330
Ⓚ Visual gap height	1/2	13
Ⓛ Thickness of handle rail	1	25
Ⓜ Width of handle	29	737
Ⓝ Depth of handle	2 9/32	58
Ⓞ Depth with door fully open*	12 5/8	320

\*Measured from front of control panel.

Minimum Clearances	inch	mm
Minimum inside height of cavity	17 5/16	440
Minimum inside width of cavity	28 1/2	724
Minimum inside depth of cavity*	21 5/8	550
Rear ventilation height**	2	50
Rear ventilation width**	22 1/16	560
Minimum clearance above products control panel to upper cabinetry front panel or appliance	1/16	2
Minimum clearance between adjacent front panel or appliance	1/16	2
Recommended cabinet height	18 1/8	460
Recommended cabinet width	30	762

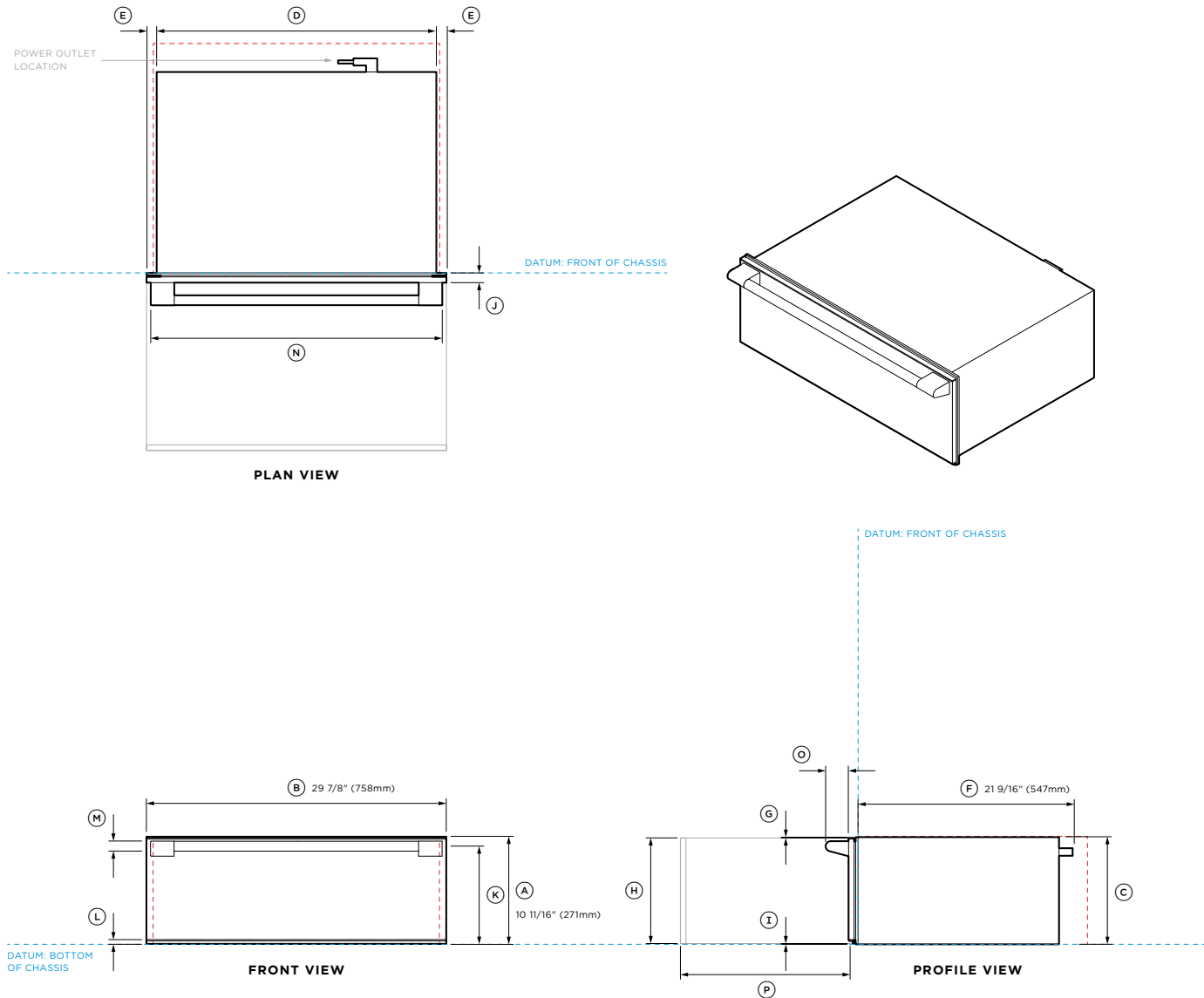
\*Measured from front of chassis.

\*\*A minimum ventilation area of 43.4in<sup>2</sup> (280cm<sup>2</sup>), equivalent to 2" x 22 1/16" (50mm x 560mm), is required. For more information, refer to the 'Ventilation' section of this Planning Guide.

----- INDICATES PRODUCT DATUM

----- INDICATES CABINETRY CLEARANCES

IMPORTANT NOTE: Throughout this guide, dimensions may vary by ±2mm (1/16"). Please read the installation manual for detailed information on installing the product. For full installation instructions & specifications visit [fisherpaykel.com](http://fisherpaykel.com)



**Model no:**

WB30SPEX3 30" Series 9 Professional Warming Drawer

Product Dimensions	inch	mm
Ⓐ Overall height of product	10 11/16	271
Ⓑ Overall width of product	29 7/8	758
Ⓒ Height of chassis	10 11/16	271
Ⓓ Width of chassis	27 3/4	704
Ⓔ Distance from side of chassis to front panel	1	25.5
Ⓕ Depth of chassis (including power plug)	21 9/16	547
Ⓖ Height from top of front panel to top of chassis	1/16	2
Ⓗ Height of front panel	10 1/2	267
Ⓙ Height from bottom datum to bottom of front panel	1/16	2
Ⓚ Thickness of front panel	15/16	24
Ⓛ Height from bottom datum to centerline of handle rail	9 13/16	249
Ⓛ Visual gap height	1/2	13
Ⓜ Thickness of handle rail	1	25
Ⓝ Width of handle	29	737
Ⓞ Depth of handle	2 9/32	58
Ⓟ Depth of drawer open*	16 7/8	429

\*Measured from front of front panel.

Minimum Clearances	inch	mm
Minimum inside height of cavity	10 3/4	273
Minimum inside width of cavity	28 1/2	724
Minimum inside depth of cavity*	22 13/16	580
Minimum clearance above products front panel to upper cabinetry front panel or appliance**	5/32	4
Minimum clearance between adjacent front panel or appliance	1/16	2
Recommended cabinet height	10 3/4	273
Recommended cabinet width	30	762

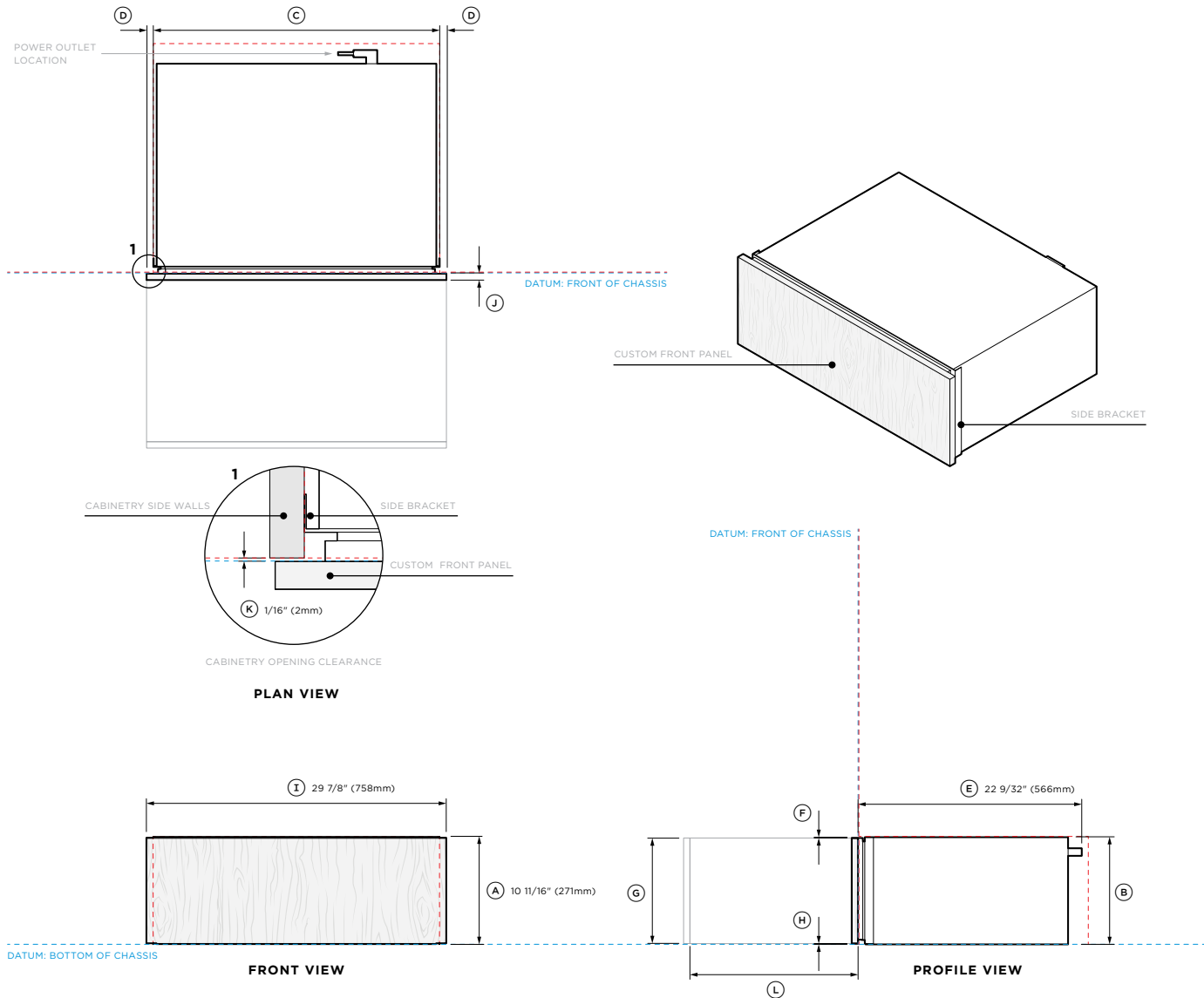
\*Measured from front of chassis.

\*\*Achieve a smaller gap between product front panel to upper cabinetry front panel by dropping cabinetry front panel down.

Note: Drawers can fully support 30inch Fisher & Paykel ovens, without adding shelf in between.

----- INDICATES PRODUCT DATUM  
 - - - - - INDICATES CABINETRY CLEARANCES

IMPORTANT NOTE: Throughout this guide, dimensions may vary by ±2mm (1/16"). Please read the installation manual for detailed information on installing the product. For full installation instructions & specifications visit [fisherpaykel.com](http://fisherpaykel.com)



**Model no:**

WB30SDEI3 30" Series 9 Integrated Warming Drawer

Product Dimensions	inch	mm
(A) Overall height of product	10 11/16	271
(B) Height of chassis	10 11/16	271
(C) Width of chassis (including side bracket)	28 15/32	723
(D) Distance from side bracket to custom front panel	11/16	17
(E) Depth of chassis (including power plug)	22 9/32	566
(F) Height from top of custom front panel to top of chassis	1/16	2
(G) Height of custom front panel	min 10 1/2	min 267
(H) Height from bottom datum to bottom of custom front panel	1/16	2
(I) Width of custom front panel	min 29 7/8	min 758
(J) Thickness of custom front panel	min 5/8	min 16
(K) Clearance behind custom front panel for push-to-open mechanism*	1/16	2
(L) Depth of drawer open**	16 3/4	425

\*A clearance of 1/16" (2mm) between the cabinet and the custom front panel is required for the push-to-open mechanism (spacer included).

\*\*Measured from front of chassis.

Note: Maximum custom front panel weight 11 lb (5kg).

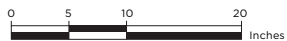
Minimum Clearances	inch	mm
Minimum inside height of cavity	10 3/4	273
Minimum inside width of cavity	28 1/2	724
Minimum inside depth of cavity*	22 13/16	580
Minimum clearance above product custom front panel to upper cabinetry front panel or appliance	1/16	2
Minimum clearance between adjacent front panel or appliance	1/16	2
Recommended cabinet height	10 3/4	273
Recommended cabinet width	30	762

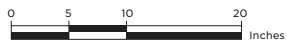
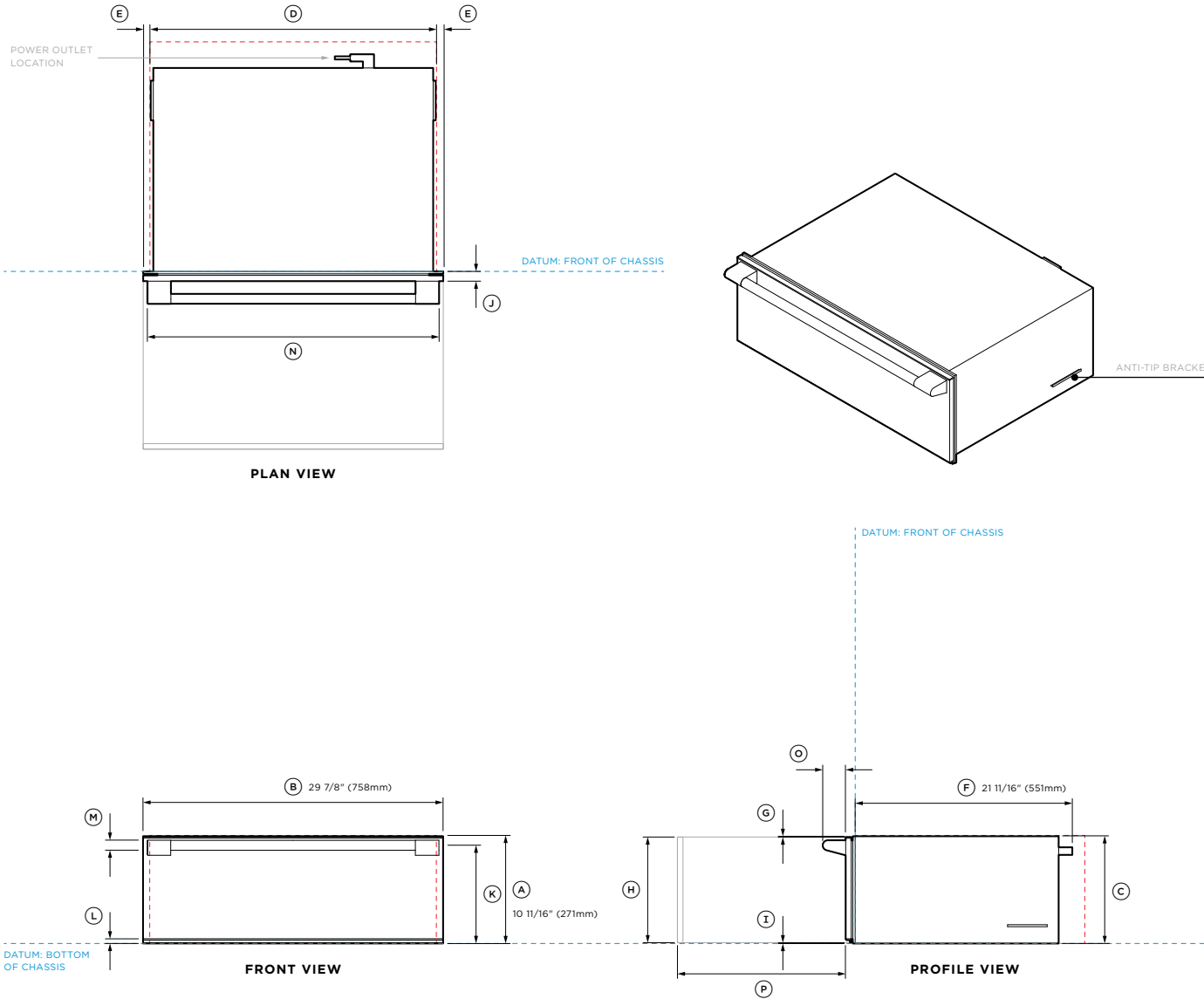
\*Measured from front of chassis.

Note: Drawers can fully support 30inch Fisher & Paykel ovens, without adding shelf in between.

----- INDICATES PRODUCT DATUM  
 - - - - - INDICATES CABINETRY CLEARANCES

IMPORTANT NOTE: Throughout this guide, dimensions may vary by ±2mm (1/16"). Please read the installation manual for detailed information on installing the product. For full installation instructions & specifications visit [fisherpaykel.com](http://fisherpaykel.com)





**Model no:**  
VB30SPEX3 30" Series 9 Professional Vacuum Seal Drawer

Product Dimensions	inch	mm
(A) Overall height of product	10 11/16	271
(B) Overall width of product	29 7/8	758
(C) Height of chassis	10 11/16	271
(D) Width of chassis*	28 1/2	724
(E) Distance from side of chassis to front panel	11/16	17
(F) Depth of chassis (including power plug)	21 11/16	551
(G) Height from top of front panel to top of chassis	1/16	2
(H) Height of front panel	10 1/2	267
(I) Height from bottom datum to bottom of front panel	1/16	2
(J) Thickness of front panel	15/16	24
(K) Height from bottom datum to centerline of handle rail	9 13/16	249
(L) Visual gap height	1/2	13
(M) Thickness of handle rail	1	25
(N) Width of handle	29	737
(O) Depth of handle	2 9/32	58
(P) Depth of drawer open**	16 7/8	429

\*Including anti-tip brackets.  
\*\*Measured from front of front panel.

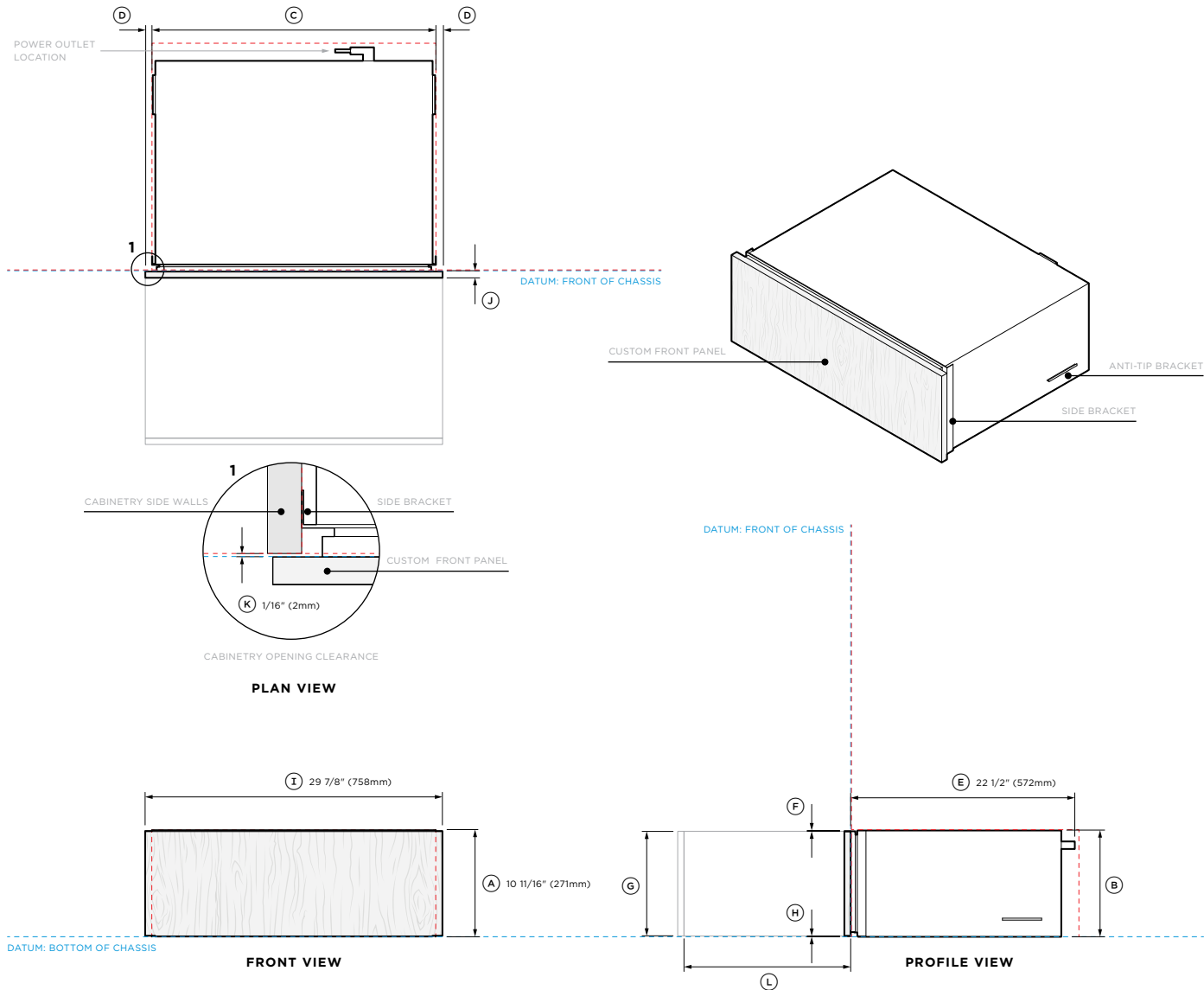
Minimum Clearances	inch	mm
Minimum inside height of cavity	10 3/4	273
Minimum inside width of cavity*	28 1/2	724
Minimum inside depth of cavity**	22 13/16	580
Minimum clearance above products front panel to upper cabinetry front panel or appliance***	5/32	4
Minimum clearance between adjacent front panel or appliance	1/16	2
Recommended cabinet height	10 3/4	273
Recommended cabinet width	30	762

\*Including anti-tip brackets.  
\*\*Measured from front of chassis.  
\*\*\*Achieve a smaller gap between product front panel to upper cabinetry front panel by dropping cabinetry front panel down.

Note: Drawers can fully support 30inch Fisher & Paykel ovens, without adding shelf in between.

----- INDICATES PRODUCT DATUM  
----- INDICATES CABINETRY CLEARANCES

IMPORTANT NOTE: Throughout this guide, dimensions may vary by ±2mm (1/16"). Please read the installation manual for detailed information on installing the product. For full installation instructions & specifications visit fisherpaykel.com



**Model no:**  
VB30SDEI3 30" Series 9 Integrated Vacuum Seal Drawer

Product Dimensions	inch	mm
(A) Overall height of product	10 11/16	271
(B) Height of chassis	10 11/16	271
(C) Width of chassis (including side bracket)*	28 15/32	723
(D) Distance from side bracket to custom front panel	11/16	17
(E) Depth of chassis (including power plug)	22 1/2	572
(F) Height from top of custom front panel to top of chassis	1/16	2
(G) Height of custom front panel	min 10 1/2	min 267
(H) Height from bottom datum to bottom of custom front panel	1/16	2
(I) Width of custom front panel	min 29 7/8	min 758
(J) Thickness of custom front panel	min 5/8	min 16
(K) Clearance behind custom front panel for push-to-open mechanism**	1/16	2
(L) Depth of drawer open***	16 3/4	425

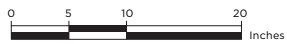
\*Including anti-tip brackets.  
\*\*A clearance of 1/16" (2mm) between the cabinet and the custom front panel is required for the push-to-open mechanism (spacer included).  
\*\*\*Measured from front of chassis.  
Note: Maximum custom front panel weight 11 lb (5kg).

Minimum Clearances	inch	mm
Minimum inside height of cavity	10 3/4	273
Minimum inside width of cavity*	28 1/2	724
Minimum inside depth of cavity**	22 13/16	580
Minimum clearance above product custom front panel to upper cabinetry front panel or appliance	1/16	2
Minimum clearance between adjacent front panel or appliance	1/16	2
Recommended cabinet height	10 3/4	273
Recommended cabinet width	30	762

\*Including anti-tip brackets.  
\*\*Measured from front of chassis.  
Note: Drawers can fully support 30inch Fisher & Paykel ovens, without adding shelf in between.

----- INDICATES PRODUCT DATUM  
----- INDICATES CABINETY CLEARANCES

IMPORTANT NOTE: Throughout this guide, dimensions may vary by ±2mm (1/16"). Please read the installation manual for detailed information on installing the product. For full installation instructions & specifications visit fisherpaykel.com



## PLANNING CONSIDERATIONS

**DIVIDING SHELF**

If the appliance front panel is thicker than the cabinetry front panel, adjust the dividing shelf depth to ensure the oven sits flush with the front of the cabinetry.

**BLACK CLASHING**

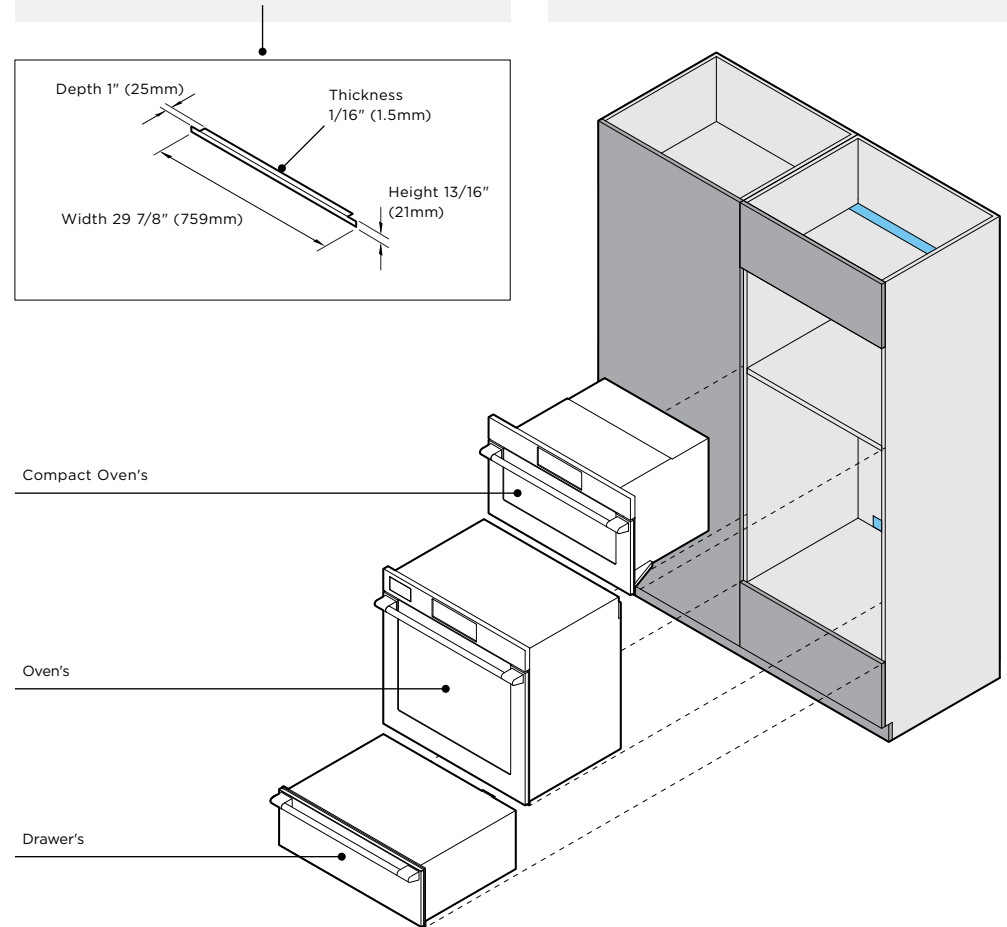
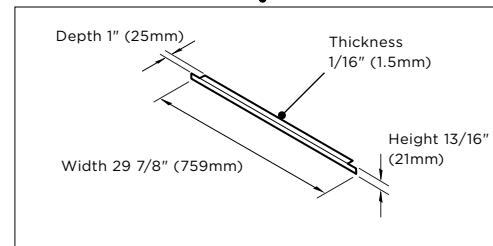
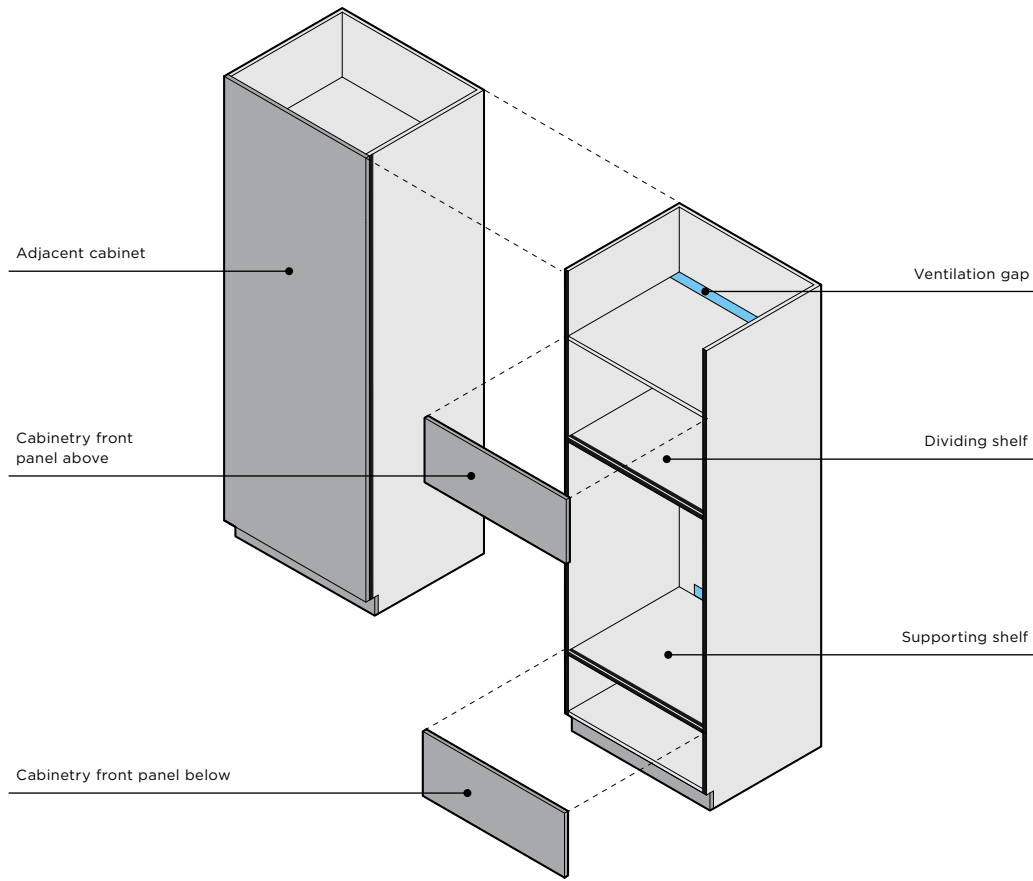
Black clashing is recommended on front facing edges and openings where products are located and on side cabinets if cabinet is rebated.

**OVEN CABINETRY TRIM**

If using light-colored cabinets, we recommend using black cabinetry trim to help hide the cabinetry beneath the front door panel of the appliance. Ensure the trim height does not interfere with any appliances or cabinetry below. Black cabinetry trim is included with ovens.

**LEVEL CABINETRY**

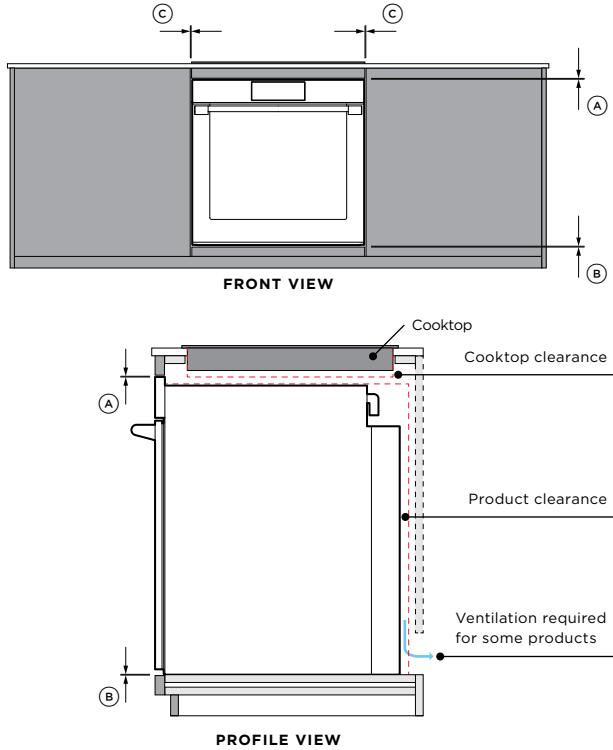
Check the shelves are level and the side panels are straight.



The models shown in this Planning Guide may not be available in all markets and are subject to change at any time. Product specifications may vary from those shown. This Planning Guide should not be used as installation guidance for any product. Further information is required to safely and correctly install the products featured here. Specific installation guidance will be available with the product on delivery and on our website [fisherpaykel.com](http://fisherpaykel.com)

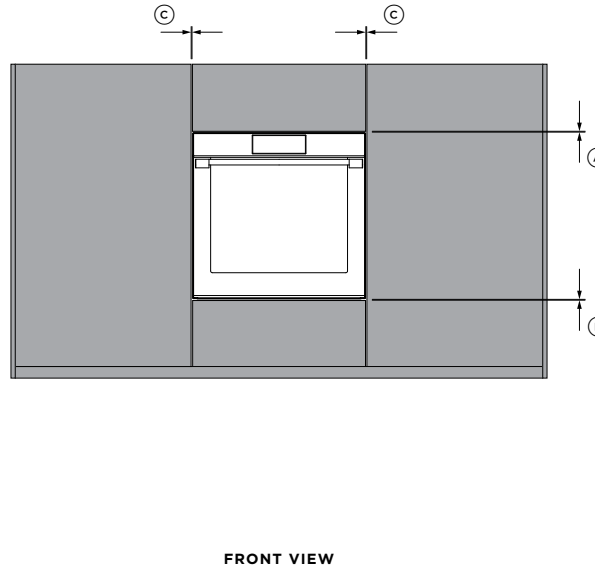
**UNDERBENCH**

If installing a cooktop above the oven, ensure adequate clearance is provided for the cooktop as per the cooktop manufacturer's instructions.



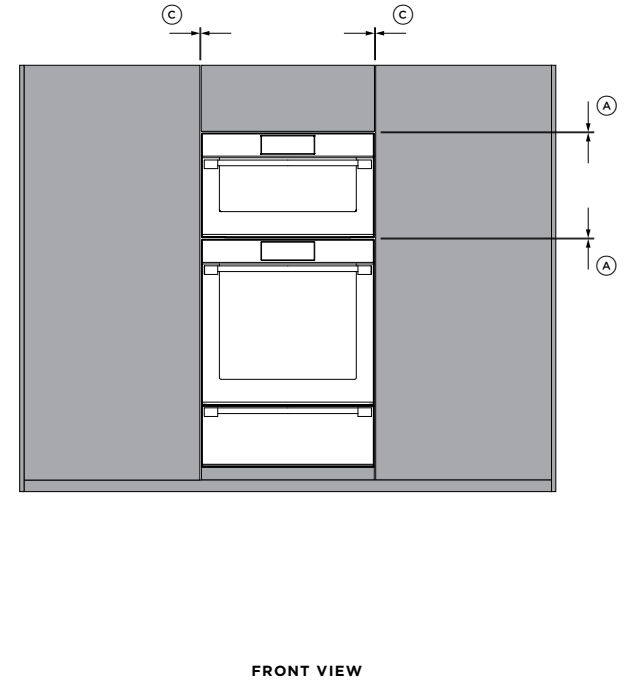
**SINGLE INSTALLATION**

Head to the individual product 'Cabinetry' section in this Planning Guide for details.



**STACKED OR GRID**

Head to the 'Stack Height' section in this Planning Guide for details.

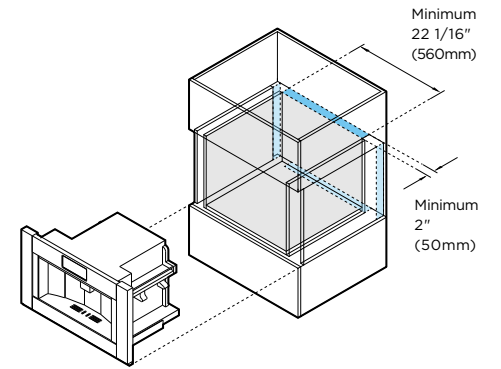
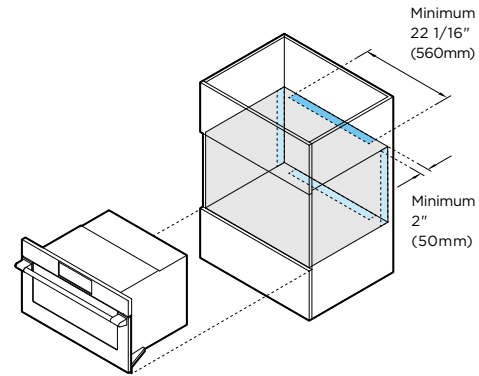
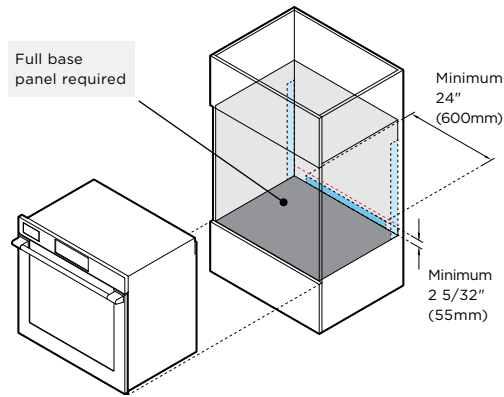
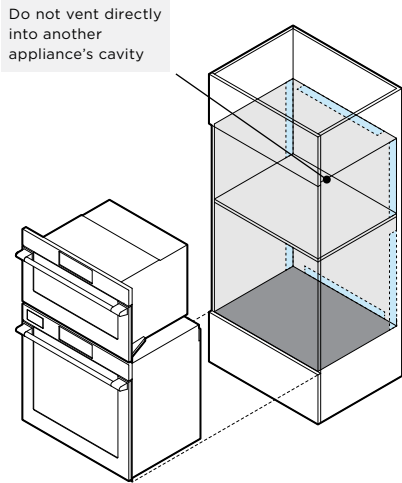


Clearances	inch	mm
(A) Minimum clearance above product control panel/front panel to upper cabinetry front panel or appliance	1/16	2
(B) Minimum clearance between bottom of chassis to lower cabinetry front panel or appliance*	1/16	2
(C) Minimum clearance between adjacent front panel or appliance**	1/16	2

\*Only applies to Self-Cleaning Oven, Self-Cleaning Steam Assist Oven and Built-in Coffee Maker.

\*\*Built-in Coffee Maker requires 3/32"(2.5mm) clearance.

The models shown in this Planning Guide may not be available in all markets and are subject to change at any time. Product specifications may vary from those shown. This Planning Guide should not be used as installation guidance for any product. Further information is required to safely and correctly install the products featured here. Specific installation guidance will be available with the product on delivery and on our website [fisherpaykel.com](http://fisherpaykel.com)



Options for total minimum ventilation area

**VENTILATION**

Ventilation is required to ensure proper performance of certain products.

**Possible Venting Locations:**

- Space behind the cabinet
- Upper cavity (not a product cavity)
- Toe kick cavity
- Adjacent cabinetry (not a product cavity)

**Cabinet with back panel or installed against a wall:**

Select one of the venting locations listed above, providing the required minimum ventilation area.

**Cabinet without back panel:**

If the cabinet is manufactured without a back panel and is not positioned directly against a wall, the open back will provide sufficient ventilation.

**Do not vent directly into another appliance's cavity.**

**SELF-CLEANING OVEN AND SELF-CLEANING STEAM ASSIST OVEN**

OB30SPPUX3, OB30SPPSUX3

**VENTILATION PLACEMENT**

	51in <sup>2</sup> (330cm <sup>2</sup> )
Total minimum ventilation area	or 2 5/32" x 24" (55mm x 600mm)

Cavity venting options*	sides or back
-------------------------	---------------

\*If positioned at the back, it should be located no more than 3 5/32" (80mm) above the bottom of the chassis datum.

Note: Full base panel required for product to operate correctly. Venting can not be through the base panel.

**COMPACT CONVECTION-SPEED OVEN**

OM30NPUX3

**VENTILATION PLACEMENT**

	43.4in <sup>2</sup> (280cm <sup>2</sup> )
Total minimum ventilation area	or 2" x 22 1/16" (50mm x 560mm)

Cavity venting options	base, sides or top
------------------------	--------------------

**BUILT-IN COFFEE MAKER**

EB30PSX1

**VENTILATION PLACEMENT**

	43.4in <sup>2</sup> (280cm <sup>2</sup> )
Total minimum ventilation area	or 2" x 22 1/16" (50mm x 560mm)

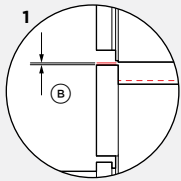
Cavity venting options	base, sides or top
------------------------	--------------------

The models shown in this Planning Guide may not be available in all markets and are subject to change at any time. Product specifications may vary from those shown. This Planning Guide should not be used as installation guidance for any product. Further information is required to safely and correctly install the products featured here. Specific installation guidance will be available with the product on delivery and on our website fisherpaykel.com

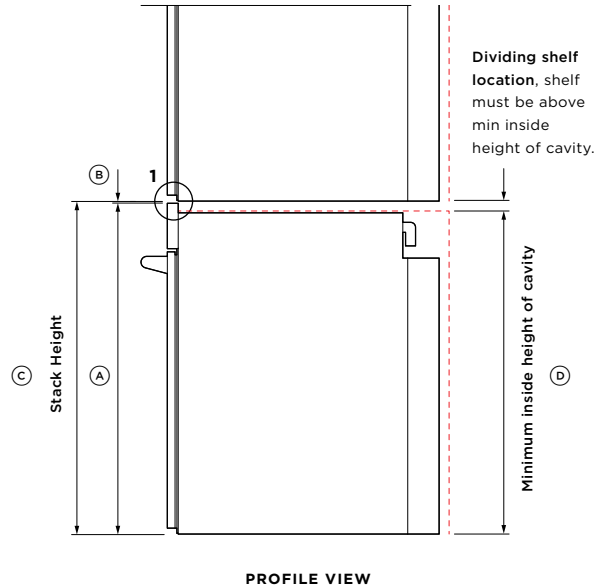
**STACK HEIGHT**

Stack height is overall product height with minimum clearance above appliance control panel or front panel.

$$\begin{array}{l}
 \text{(A) Overall product height} \\
 + \\
 \text{(B) Minimum clearance above appliance control panel or front panel to upper appliance} \\
 = \\
 \text{(C) Stacked Height}
 \end{array}$$



PROFILE VIEW



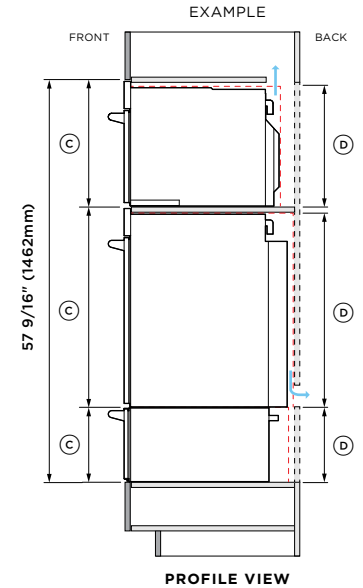
PROFILE VIEW

**Ventilation** air vent is required at rear of cabinetry for some products.

**Dividing shelves** are required to support stacked appliances and to achieve correct clearance.

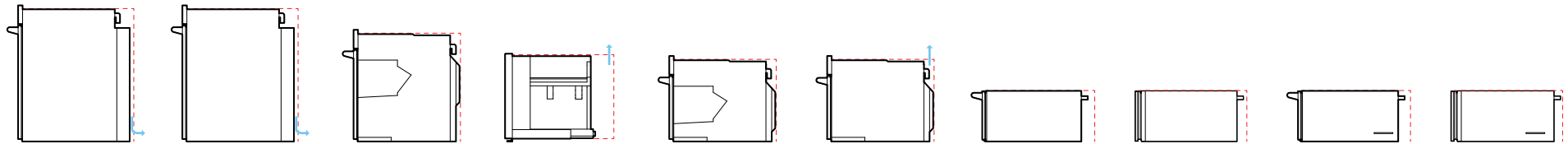
**Dividing shelves** must be constructed from material that will support the weight of the appliances. Ensure the oven is not bearing any weight from cabinetry or products installed above.

**Drawers** can fully support a 30inch Fisher & Paykel oven, without adding a shelf in between.



PROFILE VIEW

**MINIMUM INSIDE HEIGHT OF CAVITY**

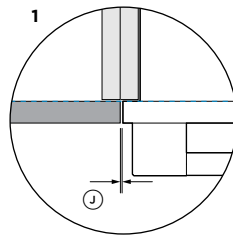


DIMENSIONS	SELF-CLEANING OVEN OB30SPUX3		SELF-CLEANING STEAM ASSIST OVEN OB30SPSUX3		COMBI-STEAM OVEN OS30SPUX3		BUILT-IN COFFEE MAKER EB30PSX1		COMPACT COMBI-STEAM OVEN OS30NPUX3		COMPACT CONVECTION-SPEED OVEN OM30NPUX3		WARMING DRAWER WB30SPEX3		INTEGRATED WARMING DRAWER WB30SDEI3		VACUUM SEAL DRAWER VB30SPEX3		INTEGRATED VACUUM SEAL DRAWER VB30SDEI3	
	inch	mm	inch	mm	inch	mm	inch	mm	inch	mm	inch	mm	inch	mm	inch	mm	inch	mm	inch	mm
(A) Overall product height	28 11/16	729	28 11/16	729	23 9/16	598	18 1/2	470	18	458	18	458	10 11/16	271	10 11/16	271	10 11/16	271	10 11/16	271
(B) Minimum clearance above	1/16	2	1/16	2	1/16	2	1/16	2	1/16	2	1/16	2	-	-	-	-	-	-	-	-
(C) Stack height	28 3/4	731	28 3/4	731	24	600	18 9/16	472	18 1/8	460	18 1/8	460	10 11/16*	271*	10 11/16*	271*	10 11/16*	271*	10 11/16*	271*
(D) Minimum inside height of cavity	28 1/32	712	28 1/32	712	22 13/16	580	17 3/4**	450**	17 5/16	440	17 5/16	440	-	-	-	-	-	-	-	-

\*Drawers can fully support 30inch Fisher & Paykel wall oven, without adding shelf in between. \*\*Not including additional panel of 5/8" (16mm).  
 Note: Single installation of Drawers require minimum clearance above, head to individual product 'Cabinetry' section's of this Planning Guide for more details.

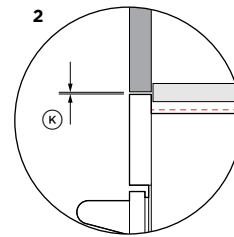
The models shown in this Planning Guide may not be available in all markets and are subject to change at any time. Product specifications may vary from those shown. This Planning Guide should not be used as installation guidance for any product. Further information is required to safely and correctly install the products featured here. Specific installation guidance will be available with the product on delivery and on our website fisherpaykel.com

<b>Model no:</b>		
OB30SPPUX3 30" Series 9 Professional Self-Cleaning Oven		
<b>Product Dimensions</b>		
	<b>inch</b>	<b>mm</b>
(A) Overall height of product	28 11/16	729
(B) Overall width of product	29 7/8	758
(C) Thickness of control panel (excludes handle)	15/16	24
<b>Cabinetry Dimensions</b>		
	<b>inch</b>	<b>mm</b>
(D) Recommended cabinet height/stack height	28 3/4	731
(E) Recommended cabinet width	30	762
(F) Minimum inside height of cavity	28 1/32	712
(G) Minimum inside width of cavity	28 1/2	724
(H) Minimum inside depth of cavity*	23 1/2	597
(I) Thickness of cabinetry front panel	min 5/8	min 16
Rear ventilation height**	2 5/32	55
Rear ventilation width**	24	600
*Measured from front of chassis.		
**A minimum ventilation area of 51in <sup>2</sup> (330cm <sup>2</sup> ), equivalent to 2" x 22 1/16" 2 5/32" x 24" (55mm x 600mm), is required. For more information, refer to the 'Ventilation' section of this Planning Guide.		
Note: Cabinetry requires a full base panel.		
<b>Cabinetry clearances</b>		
	<b>inch</b>	<b>mm</b>
(J) Minimum clearance between adjacent front panel or appliance	1/16	2
(K) Minimum clearance above product control panel to upper cabinetry front panel or appliance	1/16	2
(L) Minimum clearance between bottom of chassis to lower cabinetry front panel or appliance	1/16	2
Note: If installing a cooktop above the oven, ensure adequate clearance is provided for the cooktop as per the cooktop manufacturer's instructions.		



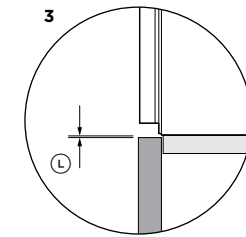
ADJACENT CABINET

PLAN VIEW



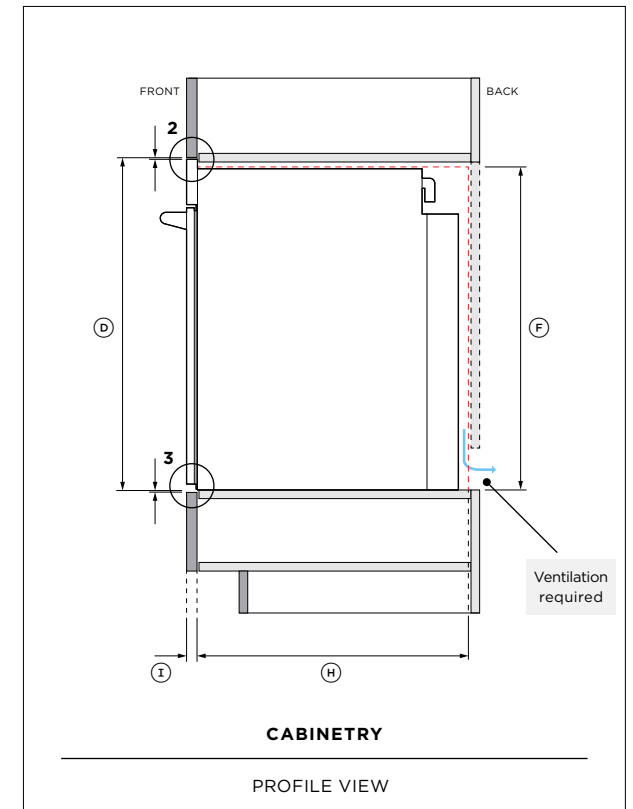
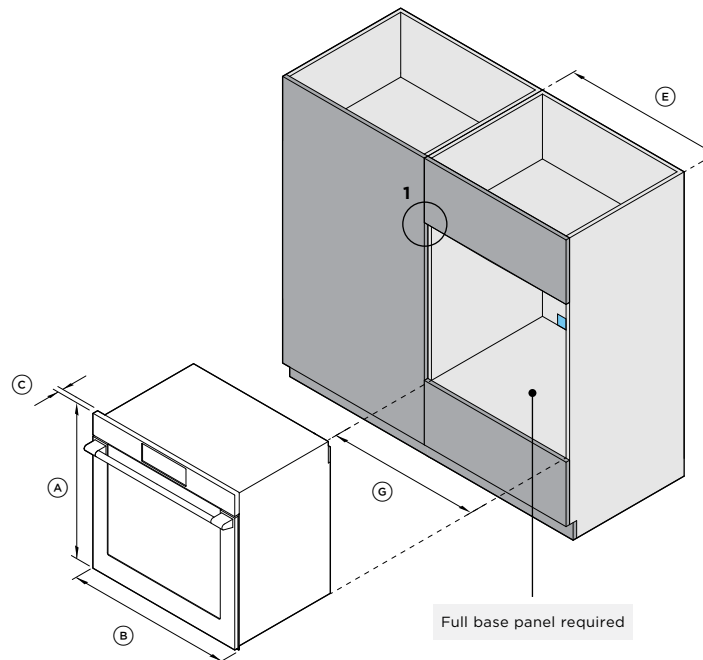
ABOVE CLEARANCE

PROFILE VIEW



BOTTOM CLEARANCE

PROFILE VIEW



The models shown in this Planning Guide may not be available in all markets and are subject to change at any time. Product specifications may vary from those shown. This Planning Guide should not be used as installation guidance for any product. Further information is required to safely and correctly install the products featured here. Specific installation guidance will be available with the product on delivery and on our website fisherpaykel.com

**Model no:**  
OB30SPPSUX3 30" Series 11 Professional Self-Cleaning Steam Assist Oven

Product Dimensions	inch	mm
(A) Overall height of product	28 11/16	729
(B) Overall width of product	29 7/8	758
(C) Thickness of control panel (excludes handle)	15/16	24

Cabinetry Dimensions	inch	mm
(D) Recommended cabinet height/stack height	28 3/4	731
(E) Recommended cabinet width	30	762
(F) Minimum inside height of cavity	28 1/32	712
(G) Minimum inside width of cavity	28 1/2	724
(H) Minimum inside depth of cavity*	23 1/2	597
(I) Thickness of cabinetry front panel	min 5/8	min 16
Rear ventilation height**	2 5/32	55
Rear ventilation width**	24	600

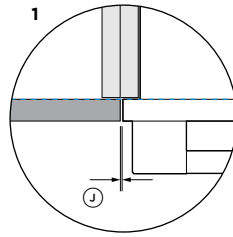
\*Measured from front of chassis.

\*\*A minimum ventilation area of 51in<sup>2</sup> (330cm<sup>2</sup>), equivalent to 2" x 22 1/16" 2 5/32" x 24" (55mm x 600mm), is required. For more information, refer to the 'Ventilation' section of this Planning Guide.

Note: Cabinetry requires a full base panel.

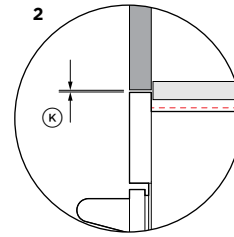
Cabinetry clearances	inch	mm
(J) Minimum clearance between adjacent front panel or appliance	1/16	2
(K) Minimum clearance above product control panel to upper cabinetry front panel or appliance	1/16	2
(L) Minimum clearance between bottom of chassis to lower cabinetry front panel or appliance	1/16	2

Note: If installing a cooktop above the oven, ensure adequate clearance is provided for the cooktop as per the cooktop manufacturer's instructions.



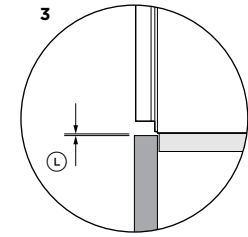
ADJACENT CABINET

PLAN VIEW



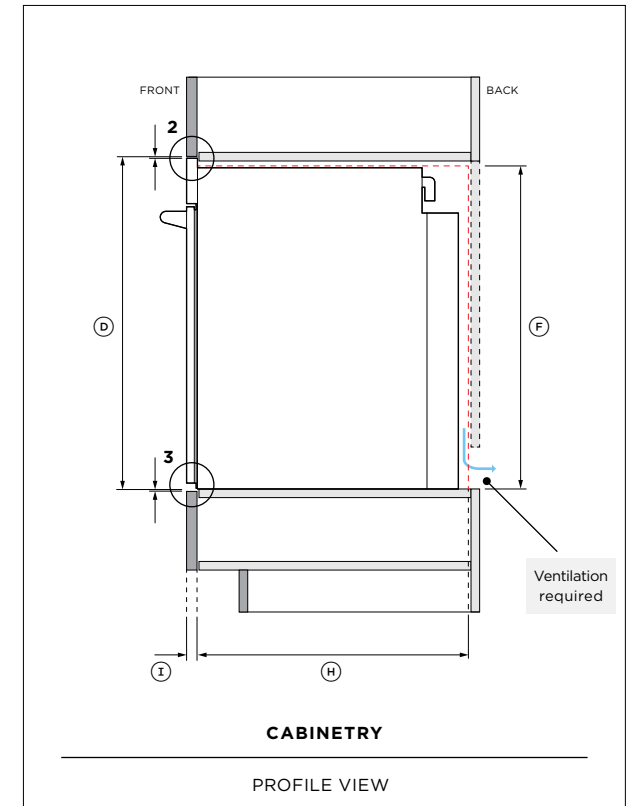
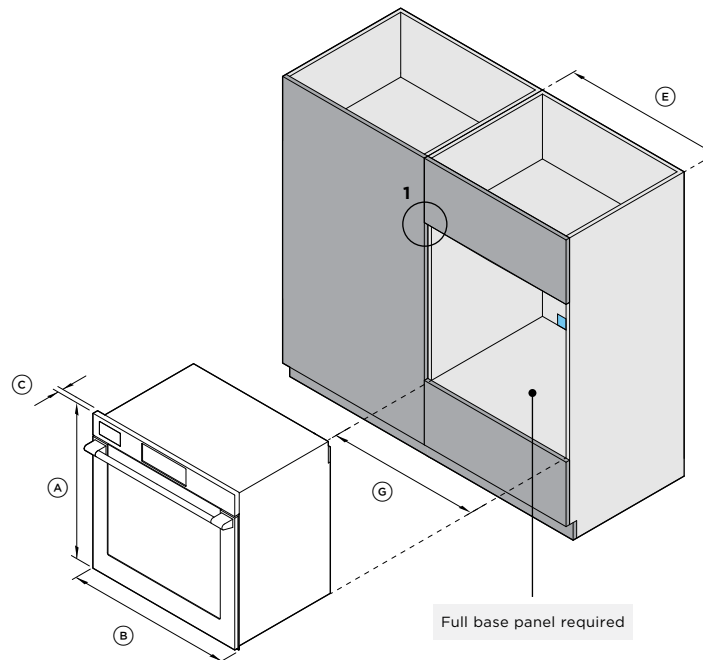
ABOVE CLEARANCE

PROFILE VIEW



BOTTOM CLEARANCE

PROFILE VIEW



**Model no:**  
OS30SPUX3 30" Series 11 Professional Combi-Steam Oven

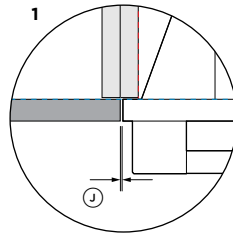
Product Dimensions	inch	mm
(A) Overall height of product	23 9/16	598
(B) Overall width of product	29 7/8	758
(C) Thickness of control panel (excludes handle)	15/16	24

Cabinetry Dimensions	inch	mm
(D) Recommended cabinet height/stack height	24	600
(E) Recommended cabinet width	30	762
(F) Minimum inside height of cavity	22 13/16	580
(G) Minimum inside width of cavity	28 1/2	724
(H) Minimum inside depth of cavity*	21 5/8	550
(I) Thickness of cabinetry front panel	min 5/8	min 16

\*Measured from front of chassis.

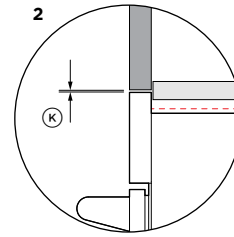
Cabinetry clearances	inch	mm
(J) Minimum clearance between adjacent front panel or appliance	1/16	2
(K) Minimum clearance above product control panel to upper cabinetry front panel or appliance	1/16	2

Note: If installing a cooktop above the oven, ensure adequate clearance is provided for the cooktop as per the cooktop manufacturer's instructions.



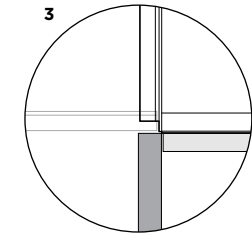
ADJACENT CABINET

PLAN VIEW



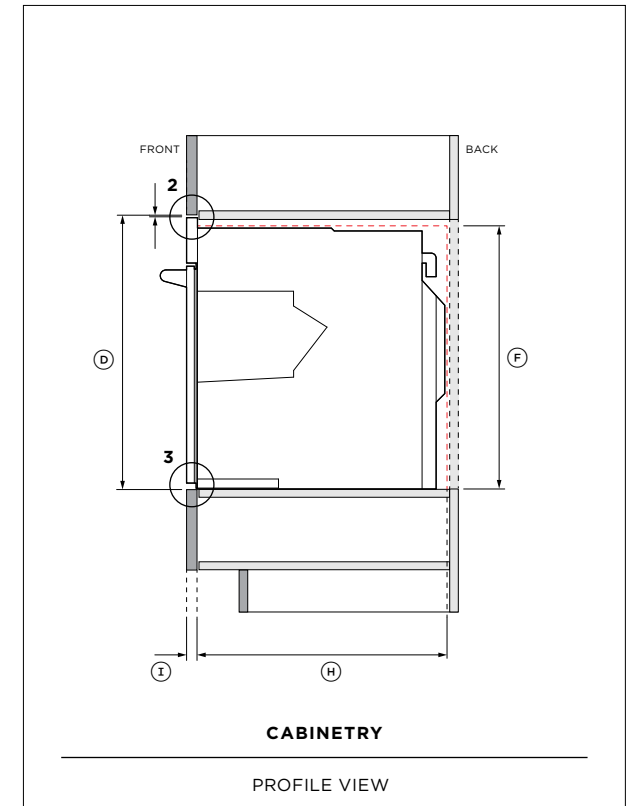
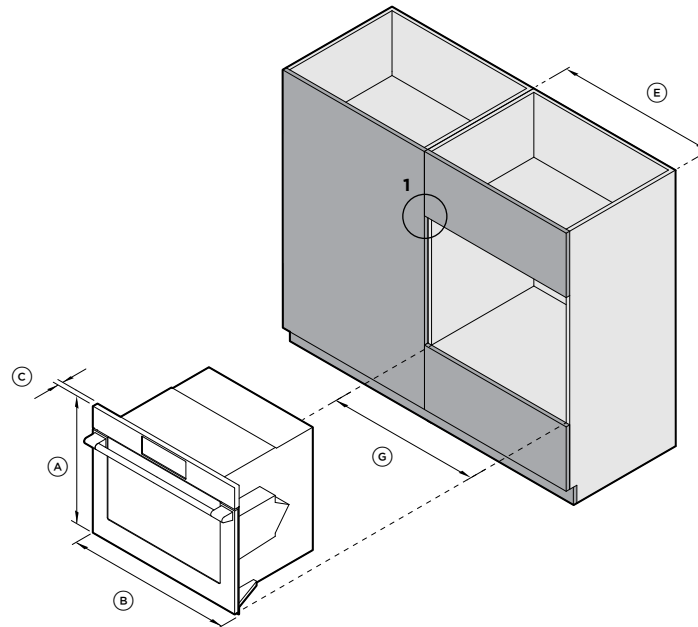
ABOVE CLEARANCE

PROFILE VIEW

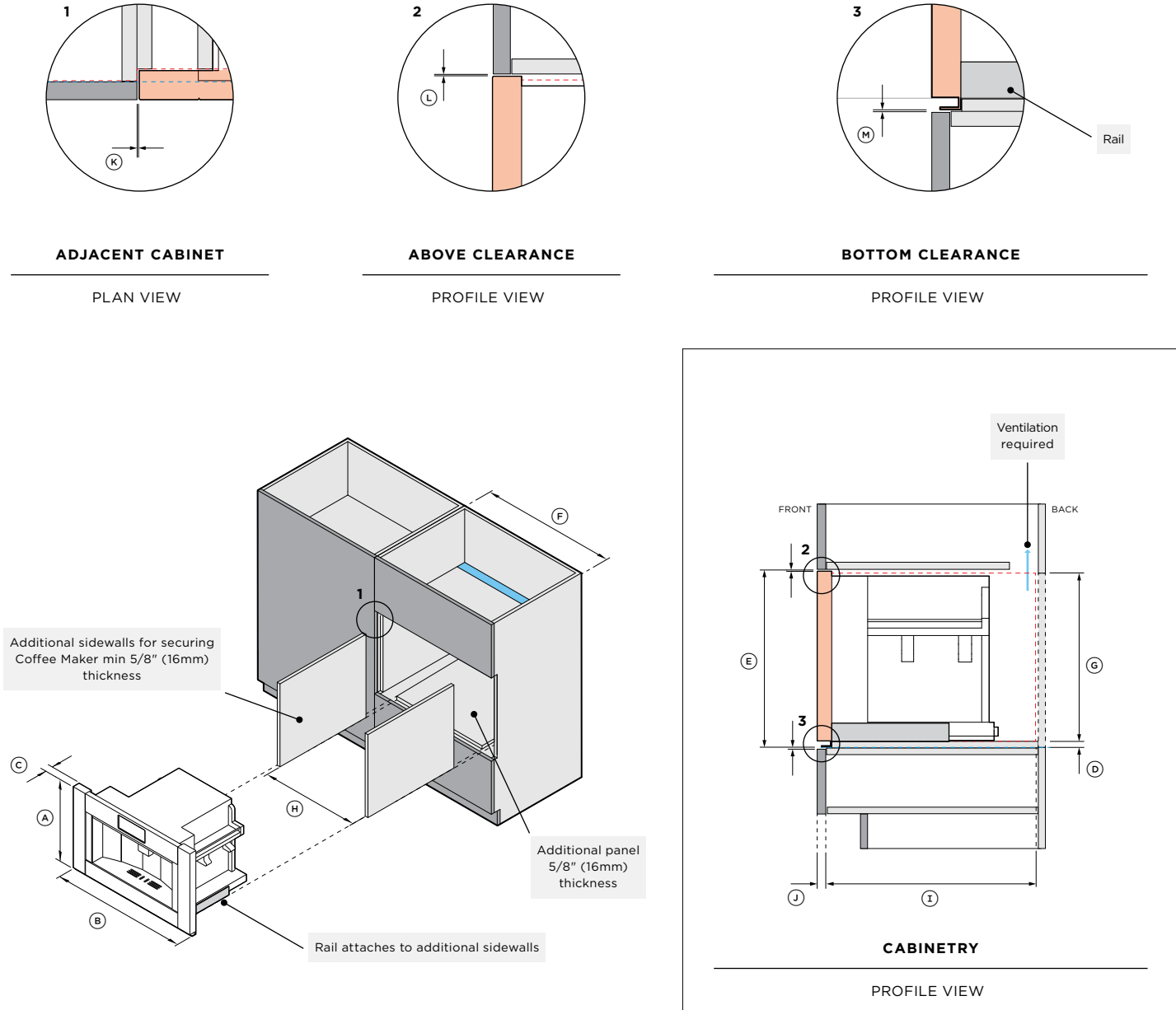


BOTTOM CLEARANCE

Requires no clearance as door swings into product height



<b>Model no:</b>		
EB30PSX1 30" Series 9 Professional Built-in Coffee Maker		
<b>Product Dimensions</b>		
	<b>inch</b>	<b>mm</b>
(A) Overall height of product	18 1/2	470
(B) Overall width of product	29 13/16	757
(C) Thickness of control panel	1 9/16	40
(D) Height from bottom of chassis to bottom of lower trim	9/16	15
<b>Cabinetry Dimensions</b>		
	<b>inch</b>	<b>mm</b>
(E) Recommended cabinet height		
- standalone installation*	18 5/8	473
- stack height	18 9/16	472
(F) Recommended cabinet width	30	762
(G) Minimum inside height of cavity*	17 3/4	450
(H) Minimum inside width of cavity	22 1/16	560
(I) Minimum inside depth of cavity**	22 13/16	545
(J) Thickness of cabinetry front panel	min 5/8	min 16
Rear ventilation height***	2	50
Rear ventilation width***	22 1/16	560
*Additional panel of 5/8" (16mm) required at the base of the cavity for under bottom of chassis for standalone installation only.		
**Measured from front of chassis.		
***A minimum ventilation area of 43.4in <sup>2</sup> (280cm <sup>2</sup> ), equivalent to 2" x 22 1/16" (50mm x 560mm), is required. For more information, refer to the 'Ventilation' section of this Planning Guide.		
<b>Cabinetry clearances</b>		
	<b>inch</b>	<b>mm</b>
(K) Minimum clearance between adjacent front panel or appliance	3/32	2.5
(L) Minimum clearance above product control panel to upper cabinetry front panel or appliance	1/16	2
(M) Minimum clearance between bottom of lower trim to lower cabinetry front panel or appliance		
- standalone installation	1/8	3
- stack height	1/16	2



The models shown in this Planning Guide may not be available in all markets and are subject to change at any time. Product specifications may vary from those shown. This Planning Guide should not be used as installation guidance for any product. Further information is required to safely and correctly install the products featured here. Specific installation guidance will be available with the product on delivery and on our website fisherpaykel.com

<b>Model no:</b>		
EB30PSX1	30" Series 9 Professional Built-in Coffee Maker	
OS30NPX3	30" Series 9 Professional Compact Combi-Steam Oven	

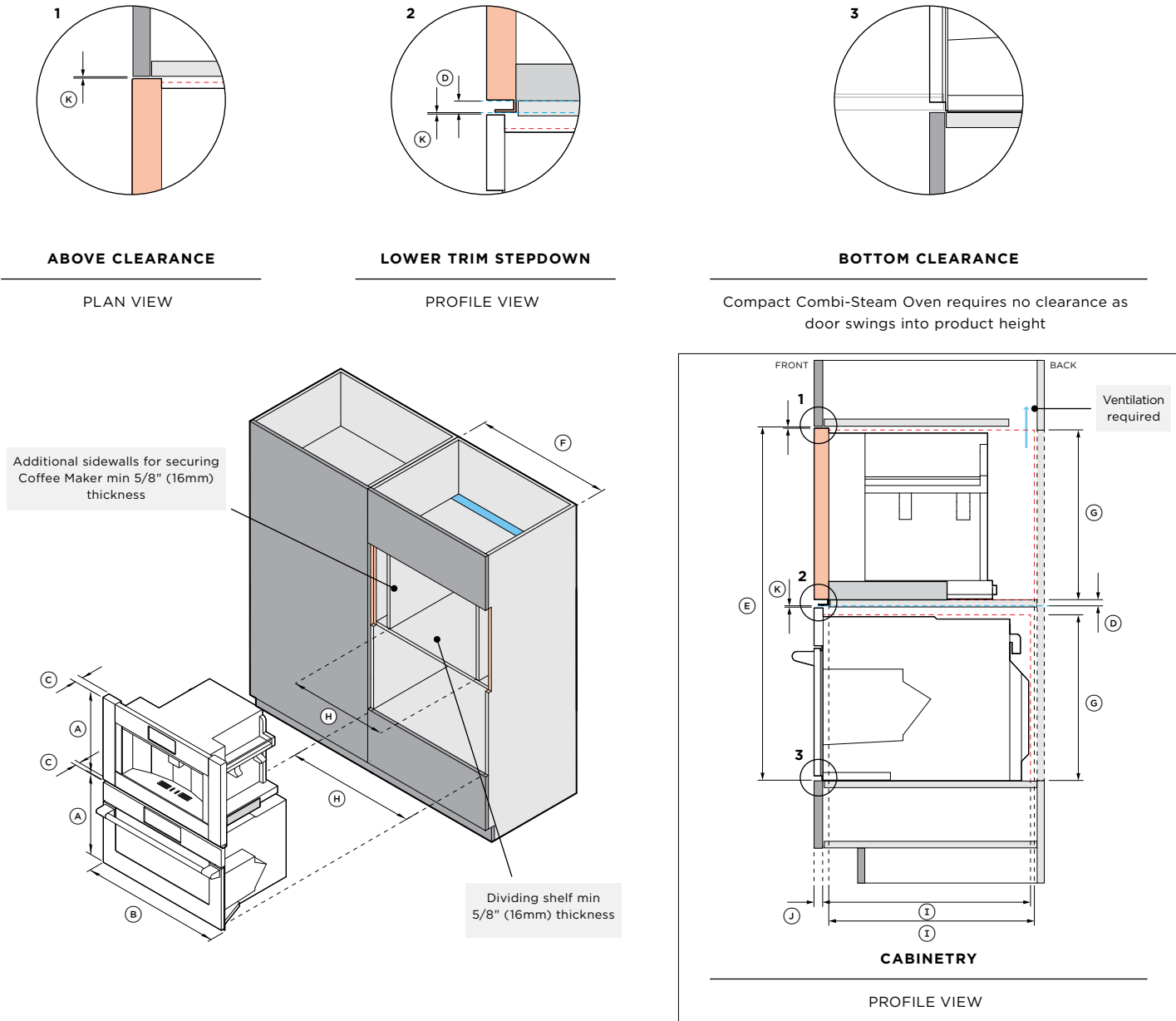
Product Dimensions	inch	mm
(A) Overall height of products		
- Built-in Coffee Maker	18 1/2	470
- Compact Combi-Steam Oven	18	458
(B) Overall width of product		
- Built-in Coffee Maker	29 13/16	757
- Compact Combi-Steam Oven	29 7/8	758
(C) Thickness of control panel		
- Built-in Coffee Maker	1 9/16	40
- Compact Combi-Steam Oven	15/16	24
(D) Height from bottom of chassis to bottom of lower trim (Built-in Coffee Maker)	9/16	15

Cabinetry Dimensions	inch	mm
(E) Recommended cabinet height/stack height	36 11/16	932
(F) Recommended cabinet width	30	762
(G) Minimum inside height of cavity		
- Built-in Coffee Maker	17 3/4	450
- Compact Combi-Steam Oven	17 5/16	440
(H) Minimum inside width of cavity		
- Built-in Coffee Maker	22 1/16	560
- Compact Combi-Steam Oven	28 1/2	724
(I) Minimum inside depth of cavity*		
- Built-in Coffee Maker	22 13/16	545
- Compact Combi-Steam Oven	21 5/8	550
(J) Thickness of cabinetry front panel	min 5/8	min 16
Rear ventilation height (Built-in Coffee Maker)**	2	50
Rear ventilation width (Built-in Coffee Maker)**	22 1/16	560

\*Measured from front of chassis.  
 \*\*A minimum ventilation area of 43.4in<sup>2</sup> (280cm<sup>2</sup>), equivalent to 2" x 22 1/16" (50mm x 560mm), is required. For more information, refer to the 'Ventilation' section of this Planning Guide.

Cabinetry clearances	inch	mm
(K) Minimum clearance above product control panel to upper cabinetry front panel or appliance	1/16	2
Minimum clearance between adjacent front panel or appliance		
- Built-in Coffee Maker	3/32	2.5
- Compact Combi-Steam Oven	1/16	2



The models shown in this Planning Guide may not be available in all markets and are subject to change at any time. Product specifications may vary from those shown. This Planning Guide should not be used as installation guidance for any product. Further information is required to safely and correctly install the products featured here. Specific installation guidance will be available with the product on delivery and on our website fisherpaykel.com

**Model no:**  
OS30NPUX3 30" Series 9 Professional Compact Combi-Steam Oven

Product Dimensions	inch	mm
(A) Overall height of product	18	458
(B) Overall width of product	29 7/8	758
(C) Thickness of control panel (excludes handle)	15/16	24

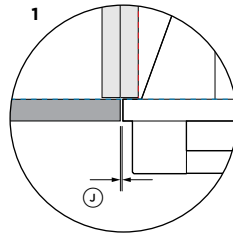
Cabinetry Dimensions	inch	mm
(D) Recommended cabinet height/stack height	18 1/8	460
(E) Recommended cabinet width	30	762
(F) Minimum inside height of cavity	17 5/16	440
(G) Minimum inside width of cavity	28 1/2	724
(H) Minimum inside depth of cavity*	21 5/8	550
(I) Thickness of cabinetry front panel	min 5/8	min 16

\*Measured from front of chassis.

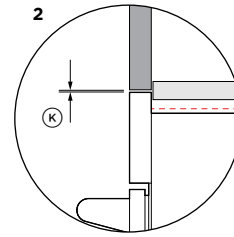
Cabinetry clearances	inch	mm
(J) Minimum clearance between adjacent front panel or appliance	1/16	2
(K) Minimum clearance above product control panel to upper cabinetry front panel or appliance	1/16	2

Note: If installing a cooktop above the oven, ensure adequate clearance is provided for the cooktop as per the cooktop manufacturer's instructions.



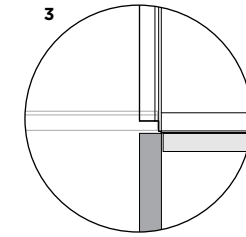
ADJACENT CABINET

PLAN VIEW



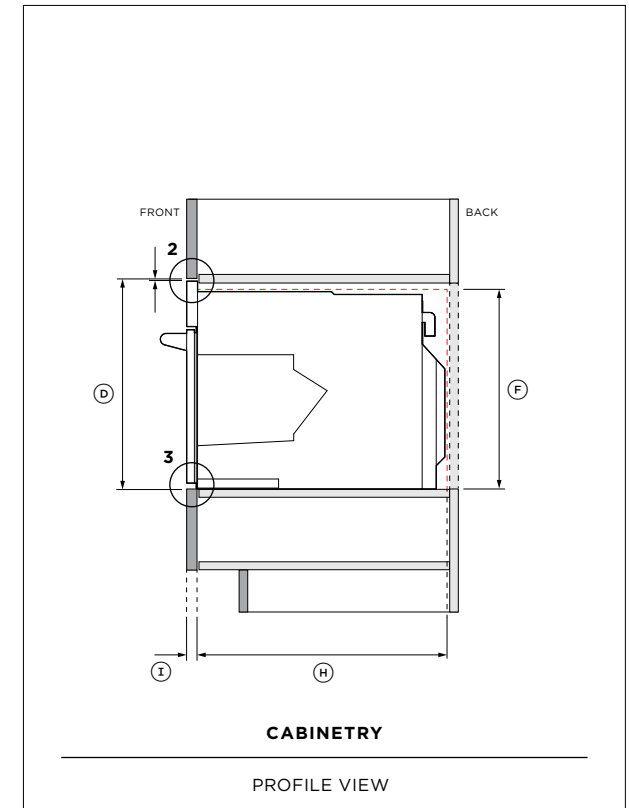
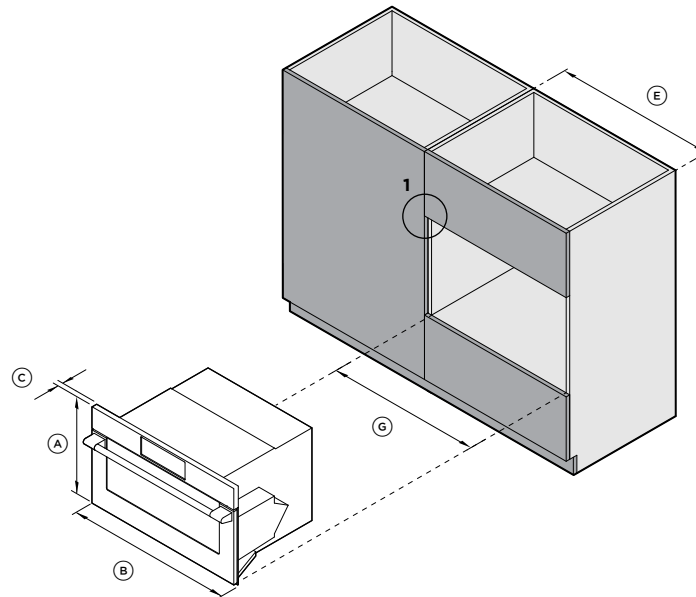
ABOVE CLEARANCE

PROFILE VIEW



BOTTOM CLEARANCE

Requires no clearance as door swings into product height



The models shown in this Planning Guide may not be available in all markets and are subject to change at any time. Product specifications may vary from those shown. This Planning Guide should not be used as installation guidance for any product. Further information is required to safely and correctly install the products featured here. Specific installation guidance will be available with the product on delivery and on our website fisherpaykel.com

**Model no:**  
OM30NPUX3 30" Series 9 Professional Compact Convection-Speed Oven

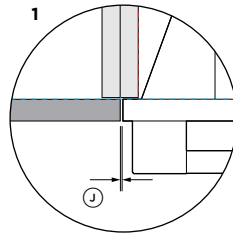
Product Dimensions	inch	mm
(A) Overall height of product	18	458
(B) Overall width of product	29 7/8	758
(C) Thickness of control panel (excludes handle)	15/16	24

Cabinetry Dimensions	inch	mm
(D) Recommended cabinet height/stack height	18 1/8	460
(E) Recommended cabinet width	30	762
(F) Minimum inside height of cavity	17 5/16	440
(G) Minimum inside width of cavity	28 1/2	724
(H) Minimum inside depth of cavity*	21 5/8	550
(I) Thickness of cabinetry front panel	min 5/8	min 16
Rear ventilation height**	2	50
Rear ventilation width**	22 1/16	560

\*Measured from front of chassis.  
\*\*A minimum ventilation area of 43.4in<sup>2</sup> (280cm<sup>2</sup>), equivalent to 2" x 22 1/16" (50mm x 560mm), is required. For more information, refer to the 'Ventilation' section of this Planning Guide.

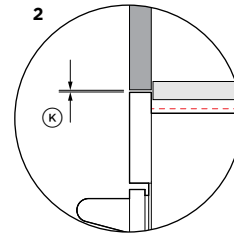
Cabinetry clearances	inch	mm
(J) Minimum clearance between adjacent front panel or appliance	1/16	2
(K) Minimum clearance above product control panel to upper cabinetry front panel or appliance	1/16	2

Note: If installing a cooktop above the oven, ensure adequate clearance is provided for the cooktop as per the cooktop manufacturer's instructions.



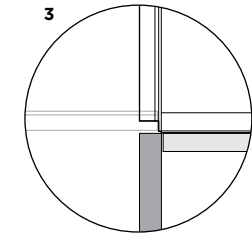
ADJACENT CABINET

PLAN VIEW



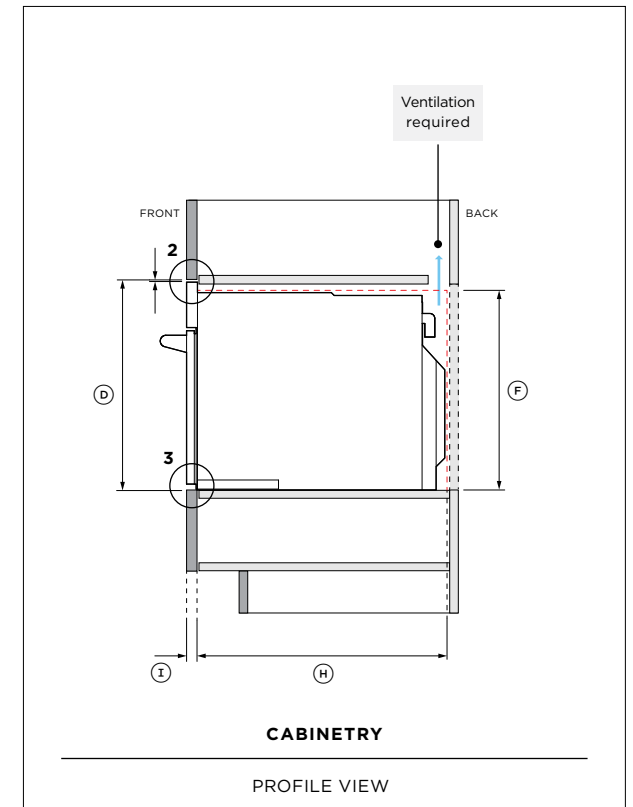
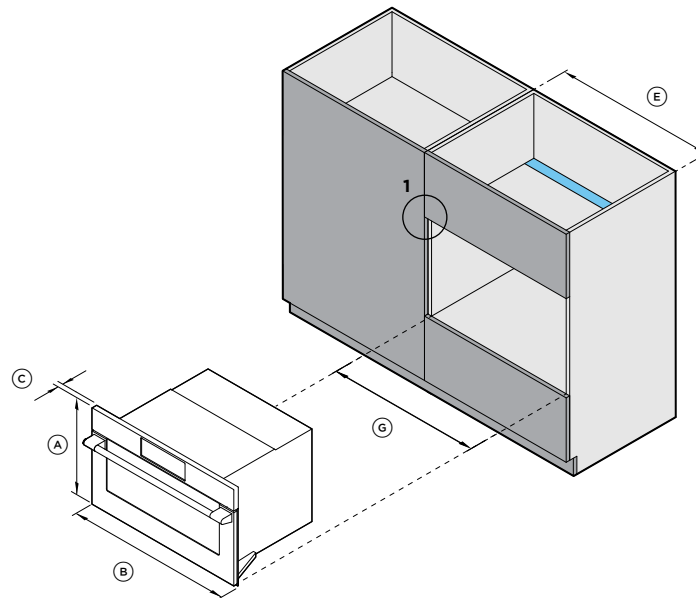
ABOVE CLEARANCE

PROFILE VIEW



BOTTOM CLEARANCE

Requires no clearance as door swings into product height



The models shown in this Planning Guide may not be available in all markets and are subject to change at any time. Product specifications may vary from those shown. This Planning Guide should not be used as installation guidance for any product. Further information is required to safely and correctly install the products featured here. Specific installation guidance will be available with the product on delivery and on our website fisherpaykel.com

**Model no:**  
WB30SPEX3 30" Series 9 Professional Warming Drawer

Product Dimensions	inch	mm
(A) Overall height of product	10 11/16	271
(B) Overall width of product	29 7/8	758
(C) Thickness of front panel	15/16	24

Note: Drawers can fully support 30inch Fisher & Paykel ovens, without adding shelf in between.

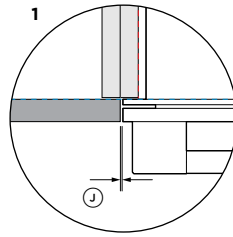
Cabinetry Dimensions	inch	mm
(D) Recommended cabinet height - single install	10 3/4	273
(E) Recommended cabinet width	30	762
(F) Minimum inside height of cavity	10 3/4	273
(G) Minimum inside width of cavity	28 1/2	724
(H) Minimum inside depth of cavity*	22 13/16	580
(I) Thickness of cabinetry front panel	min 5/8	min 16

\*Measured from front of chassis.

Cabinetry clearances	inch	mm
(J) Minimum clearance between adjacent front panel or appliance	1/16	2
(K) Minimum clearance above products front panel to upper cabinetry front panel or appliance*	5/32	4

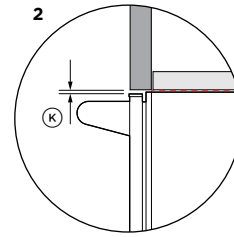
\*Achieve a smaller gap between product front panel to upper cabinetry front panel by dropping cabinetry front panel down.

Note: Drawers can fully support 30inch Fisher & Paykel ovens, without adding shelf in between.



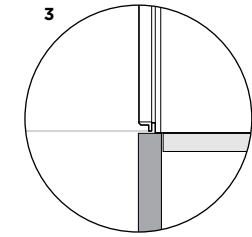
ADJACENT CABINET

PLAN VIEW



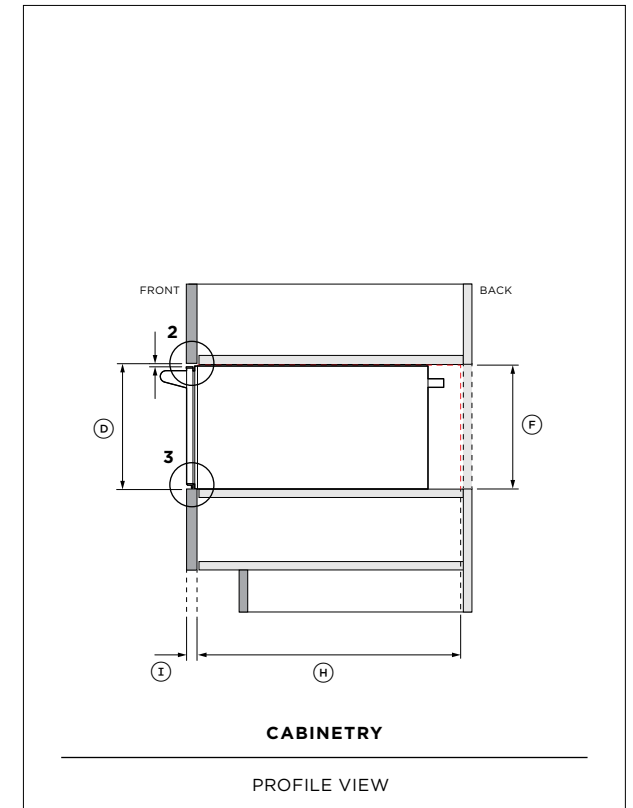
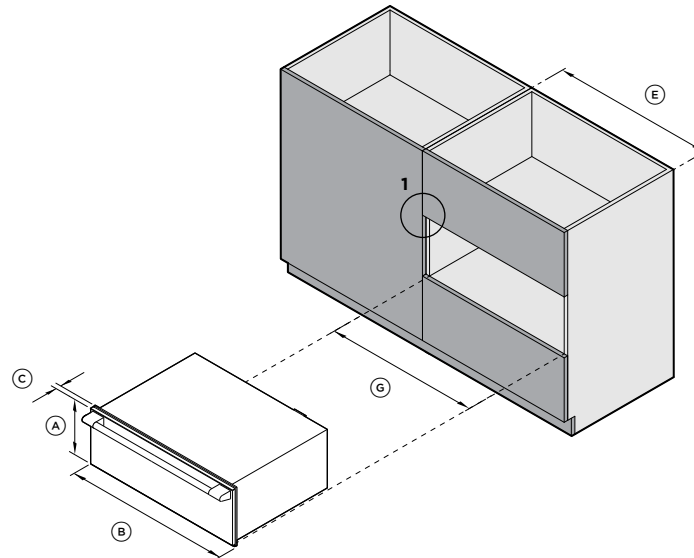
ABOVE CLEARANCE

PROFILE VIEW



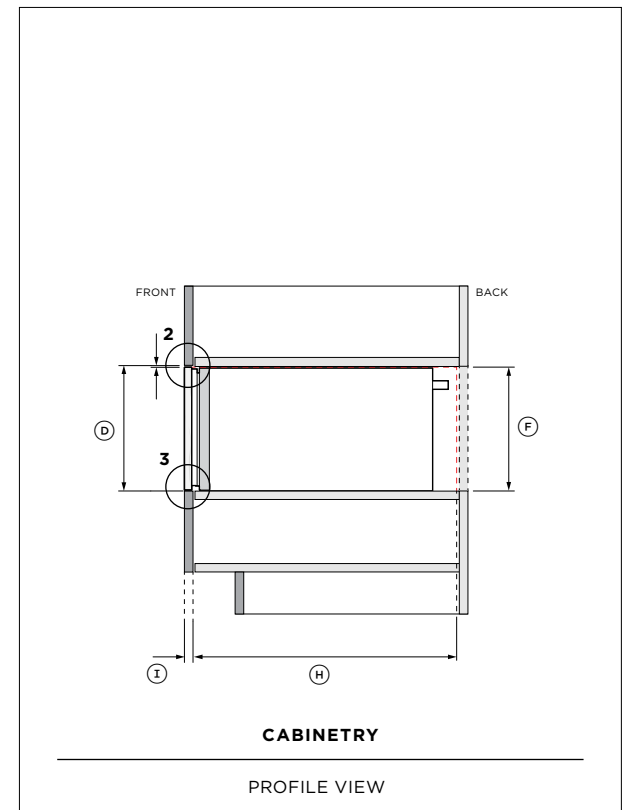
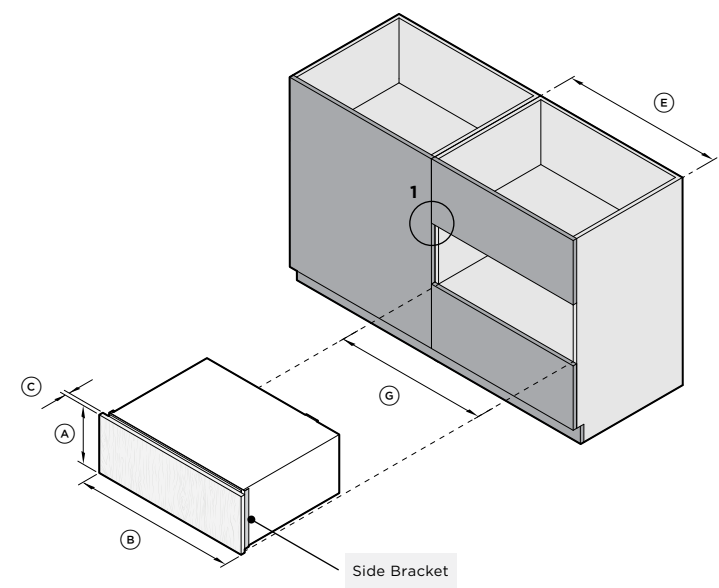
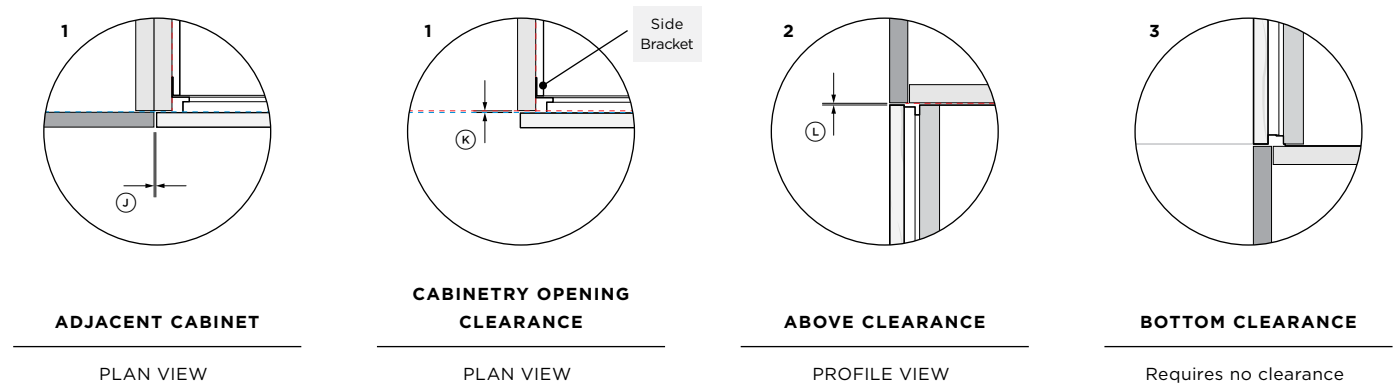
BOTTOM CLEARANCE

Requires no clearance



The models shown in this Planning Guide may not be available in all markets and are subject to change at any time. Product specifications may vary from those shown. This Planning Guide should not be used as installation guidance for any product. Further information is required to safely and correctly install the products featured here. Specific installation guidance will be available with the product on delivery and on our website fisherpaykel.com

<b>Model no:</b>		
WB30SDEI3 30" Series 9 Integrated Warming Drawer		
<b>Product Dimensions</b>		
	<b>inch</b>	<b>mm</b>
(A) Overall height of product	10 11/16	271
(B) Overall width of product	29 7/8	758
(C) Thickness of custom front panel	min 5/8	min 16
Note: Maximum custom front panel weight 11 lb (5kg).		
<b>Cabinetry Dimensions</b>		
	<b>inch</b>	<b>mm</b>
(D) Recommended cabinet height - single install	10 3/4	273
(E) Recommended cabinet width	30	762
(F) Minimum inside height of cavity	10 3/4	273
(G) Minimum inside width of cavity	28 1/2	724
(H) Minimum inside depth of cavity*	22 13/16	580
(I) Thickness of cabinetry front panel	min 5/8	min 16
*Measured from front of chassis.		
<b>Cabinetry clearances</b>		
	<b>inch</b>	<b>mm</b>
(J) Minimum clearance between adjacent front panel or appliance	1/16	2
(K) Clearance behind custom front panel for push-to-open mechanism*	1/16	2
(L) Minimum clearance above product custom front panel to upper cabinetry front panel or appliance	1/16	2
*A clearance of 1/16" (2mm) between the cabinet and the custom front panel is required for the push-to-open mechanism (spacer included).		
Note: Drawers can fully support 30inch Fisher & Paykel ovens, without adding shelf in between.		



The models shown in this Planning Guide may not be available in all markets and are subject to change at any time. Product specifications may vary from those shown. This Planning Guide should not be used as installation guidance for any product. Further information is required to safely and correctly install the products featured here. Specific installation guidance will be available with the product on delivery and on our website fisherpaykel.com

**Model no:**  
VB30SPEX3 30" Series 9 Professional Vacuum Seal Drawer

Product Dimensions	inch	mm
(A) Overall height of product	10 11/16	271
(B) Overall width of product	29 7/8	758
(C) Thickness of front panel	15/16	24

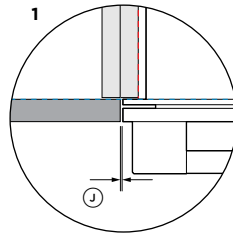
Cabinetry Dimensions	inch	mm
(D) Recommended cabinet height - single install	10 3/4	273
(E) Recommended cabinet width	30	762
(F) Minimum inside height of cavity	10 3/4	273
(G) Minimum inside width of cavity*	28 1/2	724
(H) Minimum inside depth of cavity**	22 13/16	580
(I) Thickness of cabinetry front panel	min 5/8	min 16

\*Including anti-tip brackets.  
\*\*Measured from front of chassis.

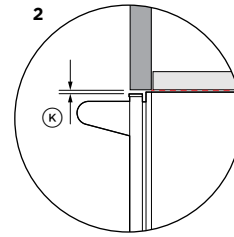
Cabinetry clearances	inch	mm
(J) Minimum clearance between adjacent front panel or appliance	1/16	2
(K) Minimum clearance above products front panel to upper cabinetry front panel or appliance*	5/32	4

\*Achieve a smaller gap between product front panel to upper cabinetry front panel by dropping cabinetry front panel down.  
Note: Drawers can fully support 30inch Fisher & Paykel ovens, without adding shelf in between.



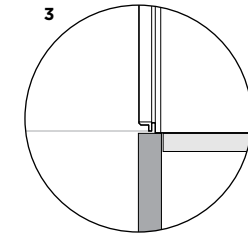
ADJACENT CABINET

PLAN VIEW



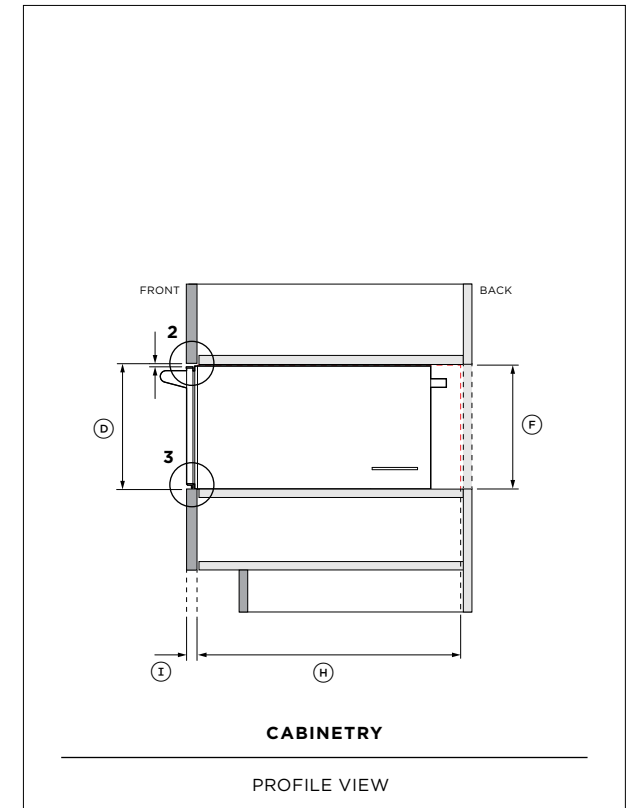
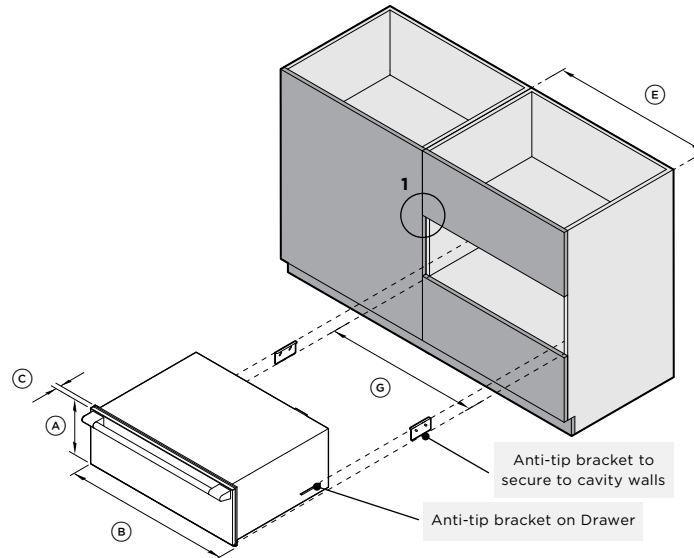
ABOVE CLEARANCE

PROFILE VIEW



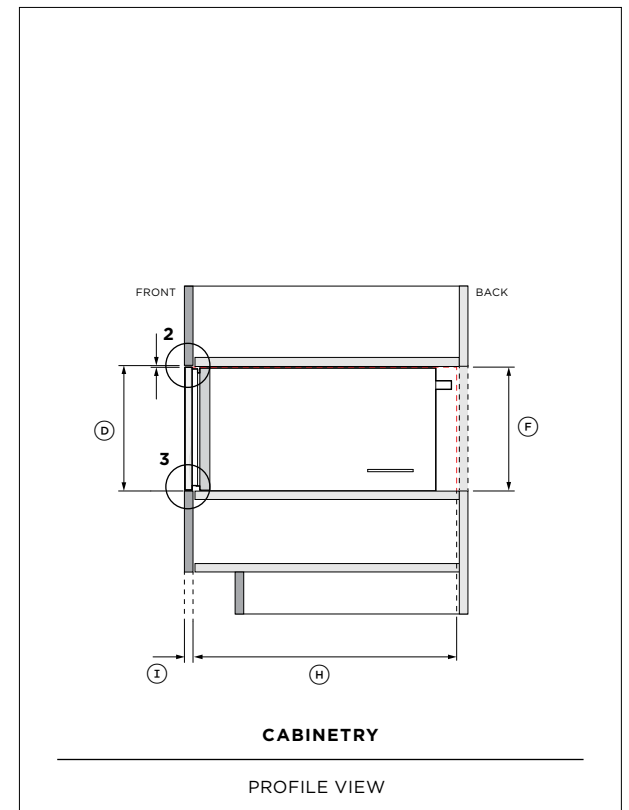
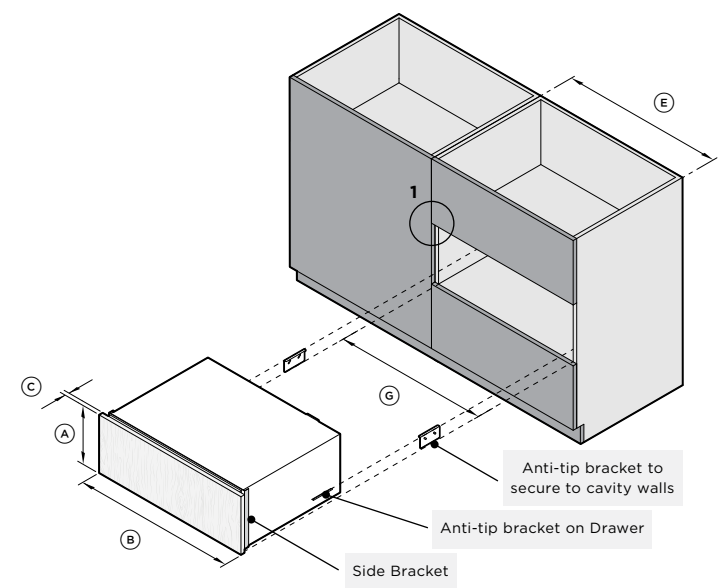
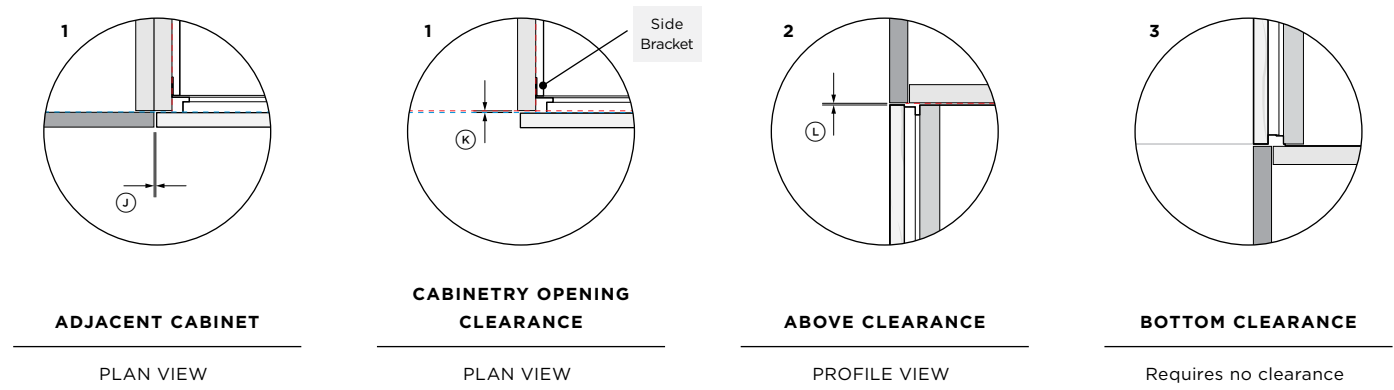
BOTTOM CLEARANCE

Requires no clearance



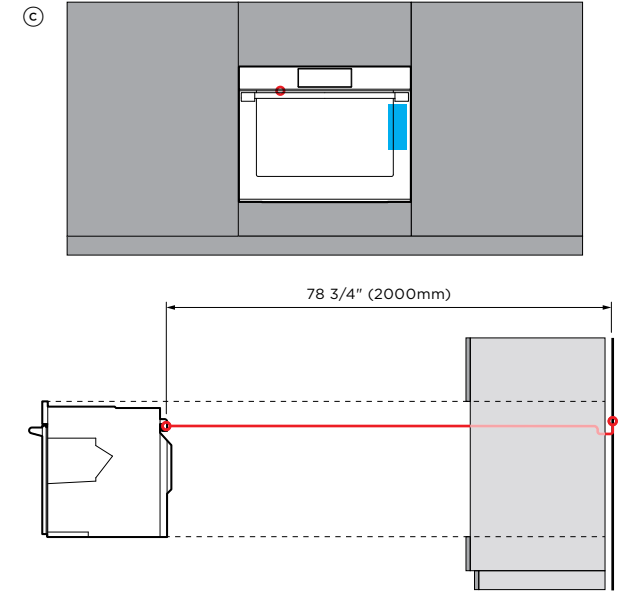
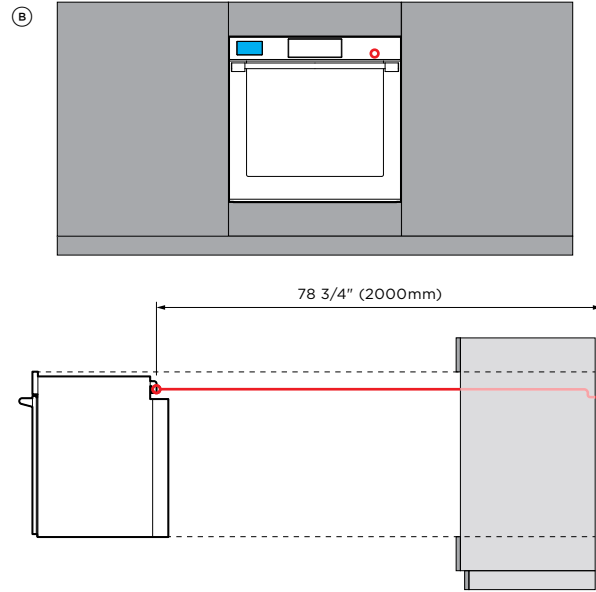
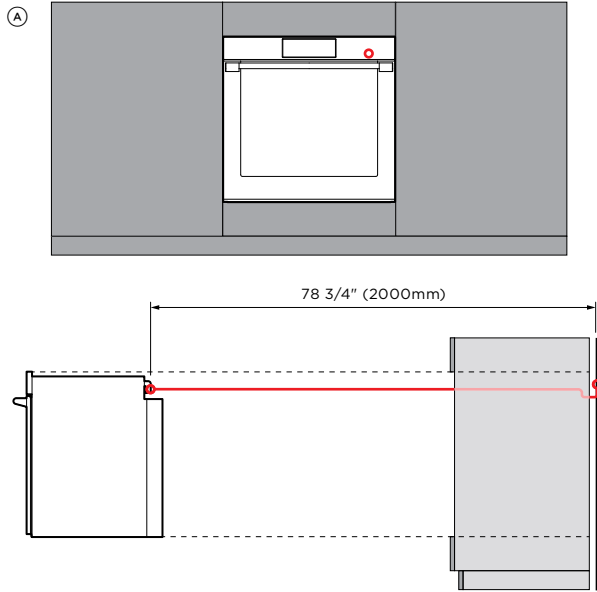
The models shown in this Planning Guide may not be available in all markets and are subject to change at any time. Product specifications may vary from those shown. This Planning Guide should not be used as installation guidance for any product. Further information is required to safely and correctly install the products featured here. Specific installation guidance will be available with the product on delivery and on our website fisherpaykel.com


<b>Model no:</b>		
VB30SDEI3 30" Series 9 Integrated Vacuum Seal Drawer		
<b>Product Dimensions</b>		
	<b>inch</b>	<b>mm</b>
(A) Overall height of product	10 11/16	271
(B) Overall width of product	29 7/8	758
(C) Thickness of custom front panel	min 5/8	min 16
Note: Maximum custom front panel weight 11 lb (5kg).		
<b>Cabinetry Dimensions</b>		
	<b>inch</b>	<b>mm</b>
(D) Recommended cabinet height - single install	10 3/4	273
(E) Recommended cabinet width	30	762
(F) Minimum inside height of cavity	10 3/4	273
(G) Minimum inside width of cavity*	28 1/2	724
(H) Minimum inside depth of cavity**	22 13/16	580
(I) Thickness of cabinetry front panel	min 5/8	min 16
*Including anti-tip brackets.		
**Measured from front of chassis.		
<b>Cabinetry clearances</b>		
	<b>inch</b>	<b>mm</b>
(J) Minimum clearance between adjacent front panel or appliance	1/16	2
(K) Clearance behind custom front panel for push-to-open mechanism*	1/16	2
(L) Minimum clearance above product custom front panel to upper cabinetry front panel or appliance	1/16	2
*A clearance of 1/16" (2mm) between the cabinet and the custom front panel is required for the push-to-open mechanism (spacer included).		
Note: Drawers can fully support 30inch Fisher & Paykel ovens, without adding shelf in between.		



The models shown in this Planning Guide may not be available in all markets and are subject to change at any time. Product specifications may vary from those shown. This Planning Guide should not be used as installation guidance for any product. Further information is required to safely and correctly install the products featured here. Specific installation guidance will be available with the product on delivery and on our website fisherpaykel.com

## SERVICES



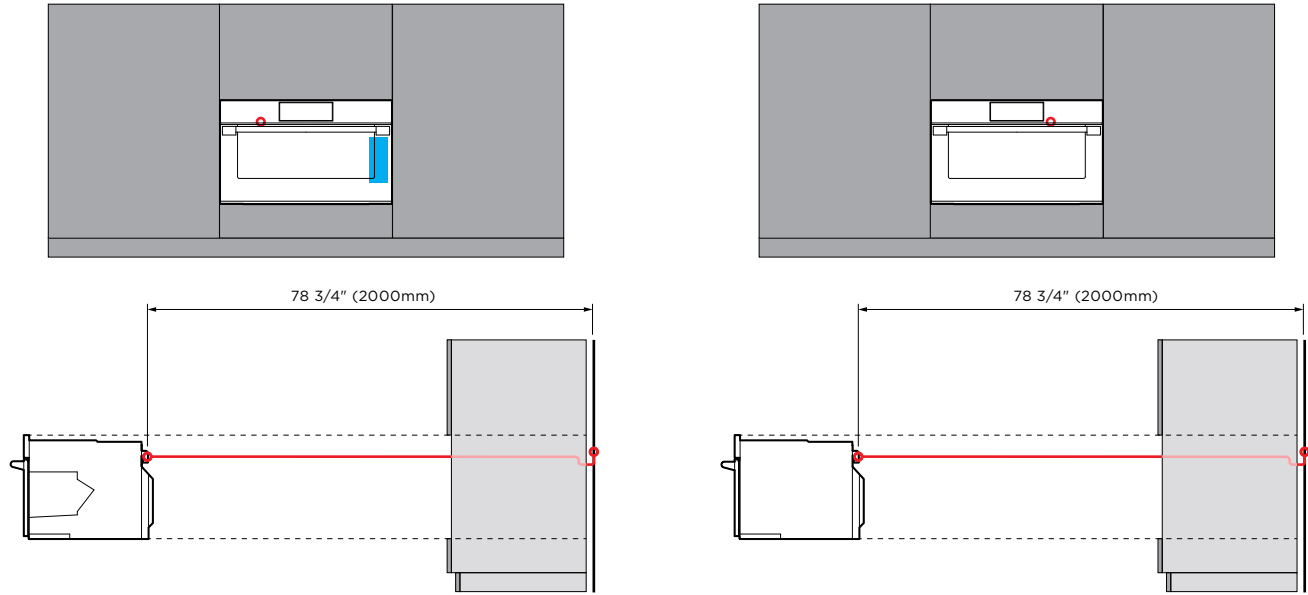
**POWER CABLE**   
**WATER TANK** 

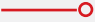
**CONNECTION**

Connections may be located in an adjacent cabinet to either side of the appliance. Ensure power will remain accessible following install to allow access for any future product maintenance.

	(A) SELF-CLEANING OVEN OB30SPPUX3	(B) SELF-CLEANING STEAM ASSIST OVEN OB30SPPSUX3	(C) COMBI-STEAM OVEN OS30SPUX3
<b>POWER CORD</b>			
Maximum power cord length*	78 3/4" (2000mm)	78 3/4" (2000mm)	78 3/4" (2000mm)
Location	Upper right	Upper right	Upper Left
Connection**	Hard wired	Hard wired	Hard wired
*Measured from power outlet, supplied with product. **For more information, refer to the Installation Guide.			
<b>ELECTRICAL</b>			
Supply	208 or 240 V, 60 Hz	208 or 240 V, 60 Hz	208 or 240 V, 60 Hz
Service	20 A	20 A	20 A
Note: Multiple product installation requires the design of power outlets according to local regulations.			
<b>CAPACITY</b>			
Total oven capacity	4.9cu ft (137L)	4.9cu ft (137L)	3cu ft (85L)
Total water tank capacity	-	22.65fl oz (0.67L)	47.3fl oz (1.4L)

The models shown in this Planning Guide may not be available in all markets and are subject to change at any time. Product specifications may vary from those shown. This Planning Guide should not be used as installation guidance for any product. Further information is required to safely and correctly install the products featured here. Specific installation guidance will be available with the product on delivery and on our website fisherpaykel.com



**POWER CABLE**   
**WATER TANK** 

**CONNECTION**

Connections may be located in an adjacent cabinet to either side of the appliance. Ensure power will remain accessible following install to allow access for any future product maintenance.

**POWER CORD**

Maximum power cord length*	
Location	
Connection**	

\*Measured from power outlet, supplied with product. \*\*For more information, refer to the Installation Guide.

**ELECTRICAL**

Supply	
Service	

Note: Multiple product installation requires the design of power outlets according to local regulations.

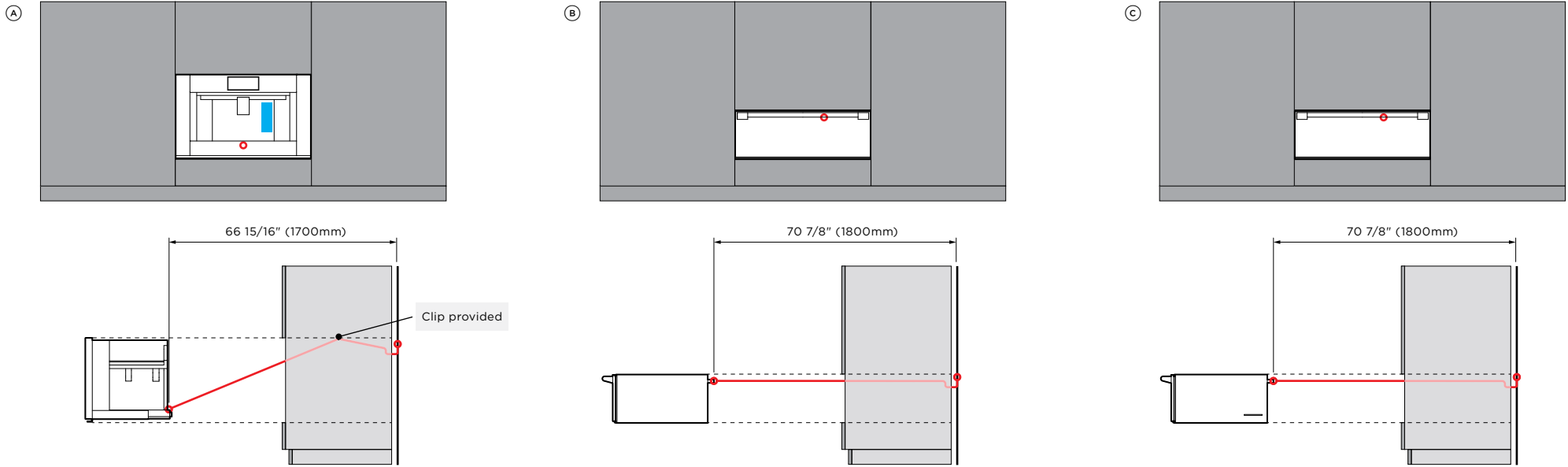
**CAPACITY**



Total oven capacity	
Total water tank capacity	

	<b>COMPACT COMBI-STEAM OVEN</b> OS30NPUX3
Maximum power cord length*	78 3/4" (2000mm)
Location	Upper Left
Connection**	Hard wired
Supply	208 or 240 V, 60 Hz
Service	20 A
Note: Multiple product installation requires the design of power outlets according to local regulations.	
Total oven capacity	1.9cu ft (55L)
Total water tank capacity	47.3fl oz (1.4L)

	<b>COMPACT CONVECTION-SPEED OVEN</b> OM30NPUX3
Maximum power cord length*	78 3/4" (2000mm)
Location	Upper right
Connection**	Hard wired
Supply	208 or 240 V, 60 Hz
Service	20 A
Note: Multiple product installation requires the design of power outlets according to local regulations.	
Total oven capacity	1.7cu ft (49L)
Total water tank capacity	-

The models shown in this Planning Guide may not be available in all markets and are subject to change at any time. Product specifications may vary from those shown. This Planning Guide should not be used as installation guidance for any product. Further information is required to safely and correctly install the products featured here. Specific installation guidance will be available with the product on delivery and on our website fisherpaykel.com



**POWER CABLE**   
**WATER TANK** 

**CONNECTION**

Connections may be located in an adjacent cabinet to either side of the appliance. Ensure power will remain accessible following install to allow access for any future product maintenance.

	(A) BUILT-IN COFFEE MAKER EB30PSX1	(B) WARMING DRAWER AND INTEGRATED WARMING DRAWER WB30SPEX3, WB30SDEI3	(C) VACUUM SEAL DRAWER AND INTEGRATED VACUUM SEAL DRAWER VB30SPEX3, VB30SDEI3
<b>POWER CORD</b>			
Maximum power cord length*	66 15/16" (1700mm)**	70 7/8" (1800mm)	70 7/8" (1800mm)
Location	Lower centered	Upper right	Upper right
Connection**	Plug with flex cord	Plug with flex cord	Plug with flex cord
*Measured from power outlet, supplied with product. **For more information, refer to the Installation Guide. ***The power cable must be long enough to allow the appliance to be extracted from the cabinet to fill the coffee bean container. Fix the power cable with the clip.			
<b>ELECTRICAL</b>			
Supply	120V, 60 Hz	120V, 60 Hz	120V, 60 Hz
Service	15 A	15 A	15 A
Note: Multiple product installation requires the design of power outlets according to local regulations.			
<b>CAPACITY</b>			
Total water tank capacity	81 fl oz (2.4L)	-	-

The models shown in this Planning Guide may not be available in all markets and are subject to change at any time. Product specifications may vary from those shown. This Planning Guide should not be used as installation guidance for any product. Further information is required to safely and correctly install the products featured here. Specific installation guidance will be available with the product on delivery and on our website fisherpaykel.com

