








ASSEMBLY INSTRUCTION

ITEM: 628-50206-99 Willow Hall Chest

Thank you for purchasing this quality product. Be sure to unpack carefully looking for small parts which may have come loose during shipment.

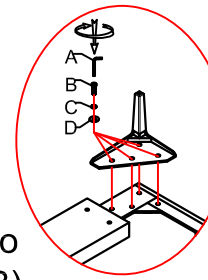
Read all instruction and study the drawing carefully before starting the assembly process.

HARDWARE PACK				
NO.	DRAWING	DESCRIPTION	SIZE	Q'TY
A		Allen Wrench	108*76*5MM	1 PC
B		Bolt	5/16*25mm	16PCS
C		Lock Washer	5/6"	16 PCS
D		Flat Washer	5/16*22mm	16 PCS
E		Anti-Tip Kit		1 PC

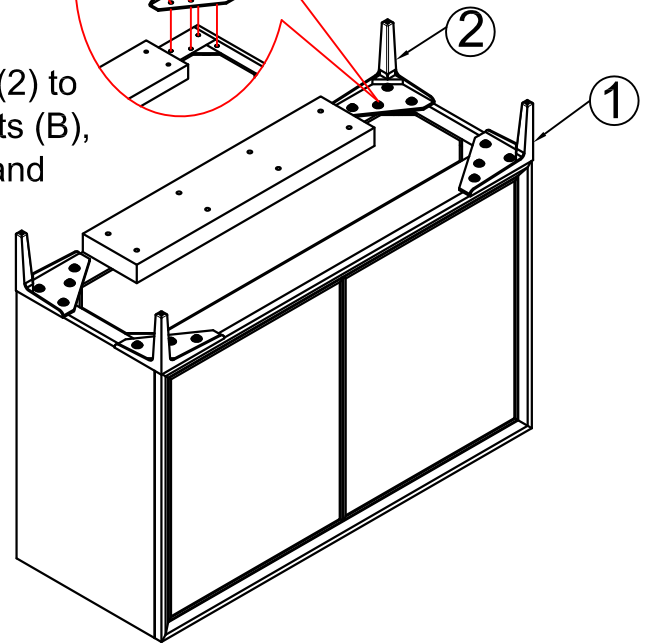
PARTS LIST			
NO.	DRAWING	DESCRIPTION	Q'TY
1		Front Leg	2PCS
2		Back Leg	2PCS

Attach front legs (1) and back legs (2) to the bottom of the case by using bolts (B), lock washers (C), flat washers (D) and allen wrench (A).

STEP 1

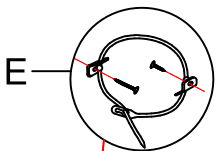


STEP 2

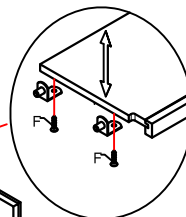


Tipping Restraint

Anti-tip kit is included for use. We recommend installing for safety reason.

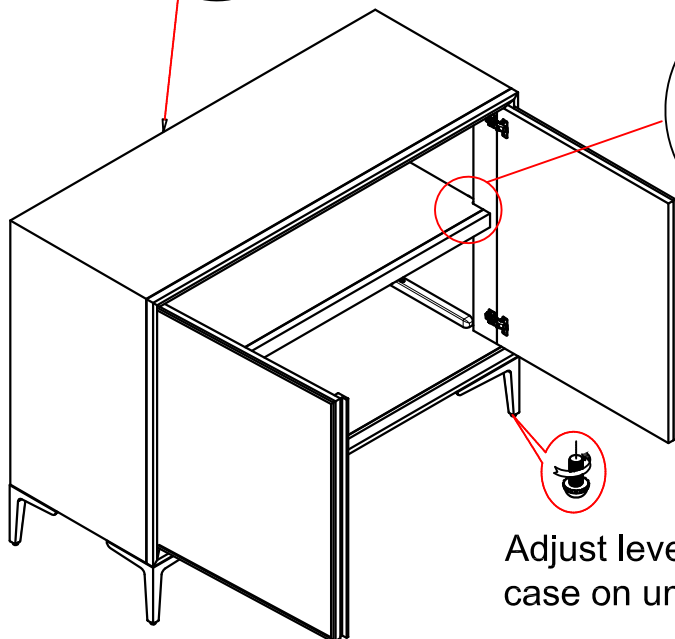


STEP 3



The adjustable shelf is screwed in place to avoid damage during transit. To adjust the shelf height, remove screws then place shelf pins in the desired level.

Adjust leveler if needed to level case on uneven floor.



Note: Anti-tip kit restraint is provided. Please follow the instructions enclosed with the pack.