



Wall Mounting Installation Guide

Sound Bar

TRUE X BAR 90A

SR-X90A

EN

CONTENTS

About this Wall Mounting Installation Guide	3
Precautions	4
Items to use for wall mounting installation	5
Mounting the sound bar on a wall	6

About this Wall Mounting Installation Guide

- This guide explains the installation method for qualified service personnel who mount the sound bar on a wall.
- This guide uses the following signal words for important information.



CAUTION

This content indicates “risk of injury.”

• **NOTICE**

Indicates points that you must observe in order to prevent product failure, damage, or malfunction, as well as to protect the environment.

• **NOTE**

Indicates notes on instructions, restrictions on functions, and additional information that may be helpful.

- The illustrations in this guide are for instructional purposes only.
- The company names and product names in this guide are the trademarks or registered trademarks of their respective companies.

NOTE

- A “Safety Guide” is included with this product. General precautions for handling this product are described in the PRECAUTIONS. See this document before installing the sound bar.
- For details on the functions, see the “User Guide” of your product.
https://manual.yamaha.com/audio/sound_bar/sr-x90a/

Precautions

Before mounting the sound bar on a wall, be sure to read the following precautions for safe installation. Be sure to follow the precautions.

■ Precautions for mounting the sound bar on a wall



CAUTION

- For proper installation of the sound bar on a wall, make sure to have the work done by the dealer from where you purchased the unit or by a contractor with qualified service personnel. Some skills and experience are required for safe installation.
- Be sure to follow the precautions when mounting the sound bar on a wall. The sound bar may fall, resulting in injury.
 - Do not attach it to a wall constructed of weak materials such as drywall or plasterboard.
 - Use screws that are of the size specified in this guide and that can support the weight of the installation. Do not use nails, two-sided tape, screws other than the size specified, or screws that are worn out or damaged.
 - Fix the cables in place so nothing will accidentally catch on them.
- Check that the sound bar is securely fixed in place immediately after the installation. Yamaha will bear no responsibility for any accidents caused by improper installations.

■ Precautions after installation



CAUTION

- Do not lean on the wall-mounted sound bar or apply excessive force to its top. Doing so may cause the sound bar to fall.

Items to use for wall mounting installation

Items to use for wall mounting installation

Make sure that all of the following items are present before installing the sound bar.

■ Items included with this product

- Mounting brackets (×2)



- Washers (×2)



■ Commercially available items

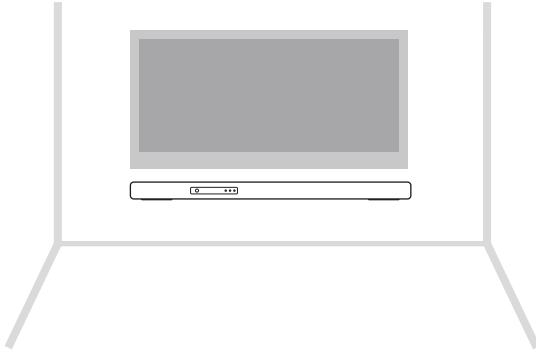
In addition to the included items, the following commercially available items are required.

- Screws (× 6 to 8)

Mounting the sound bar on a wall

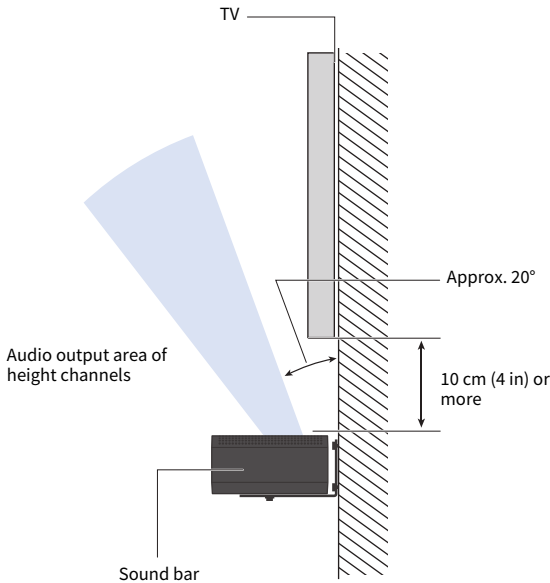
- Before mounting the sound bar on a wall, be sure to read the following precautions.
 - “Precautions” (p.4)

Use the provided mounting brackets to install the sound bar on a wall.



NOTE

The top of the sound bar is equipped with built-in height speakers that output the sound of the height channels. A space of at least 10 cm (4 in) above the top of the sound bar ensures unobstructed output of the height channels. This will provide you the best possible surround sound field.

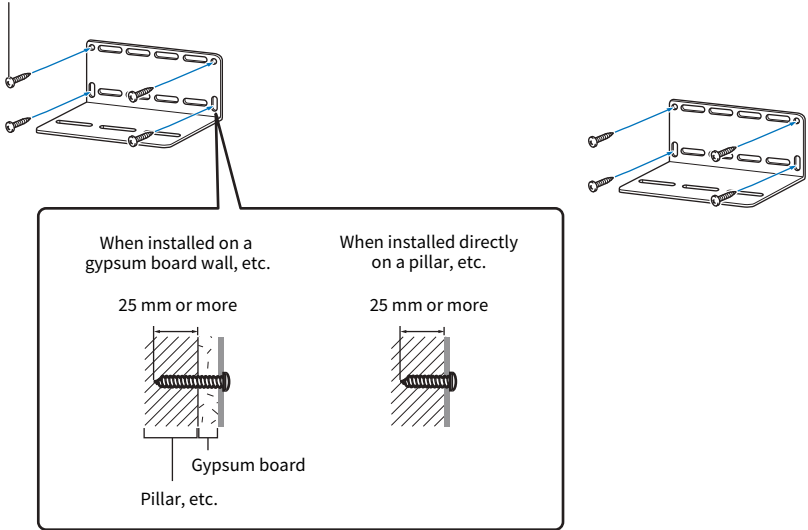


1 Be sure to properly install the mounting brackets in the wall.

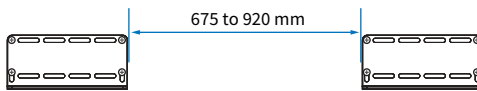
Take into consideration the structure and materials of the wall to ensure that the mounting method is sufficiently sturdy.

Be sure to fasten the top sides of the mounting brackets with screws, and ensure that each side is fastened with screws in at least three places.

5 mm tapping screws (commercially available items)

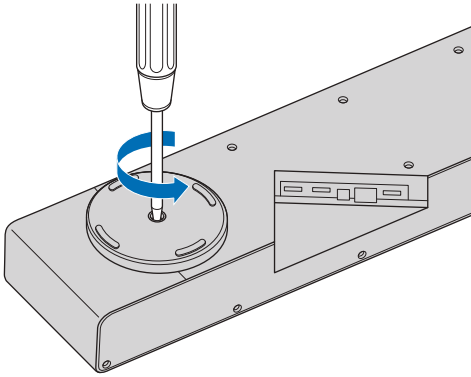


The distance between the mounting brackets should be between 675 mm to 920 mm.



2 Remove the feet from the bottom of the sound bar.

Remove the screws and the washers to remove the feet from the sound bar.



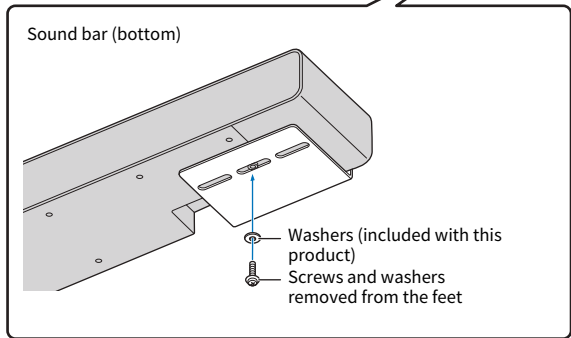
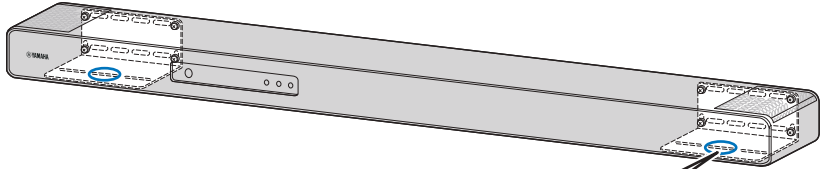
The screws and washers will be used to secure the mounting brackets and the sound bar.

3 Connect cables to the sound bar.

For the connection procedure, see the “Quick Guide” or “User Guide”.

4 Place the sound bar on the mounting brackets and screw on the bottom.

Align the mounting bracket with the screw holes on the bottom of the sound bar (the screw holes where the foot was screwed in). Secure the mounting bracket and sound bar firmly with the included washers and the screws and washers removed in step 2.



The installation is completed.

Yamaha Global Site
<https://www.yamaha.com/>

Yamaha Downloads
<https://download.yamaha.com/>

© 2025 Yamaha Corporation

Published 05/2025 NV-A0

AV24-0016