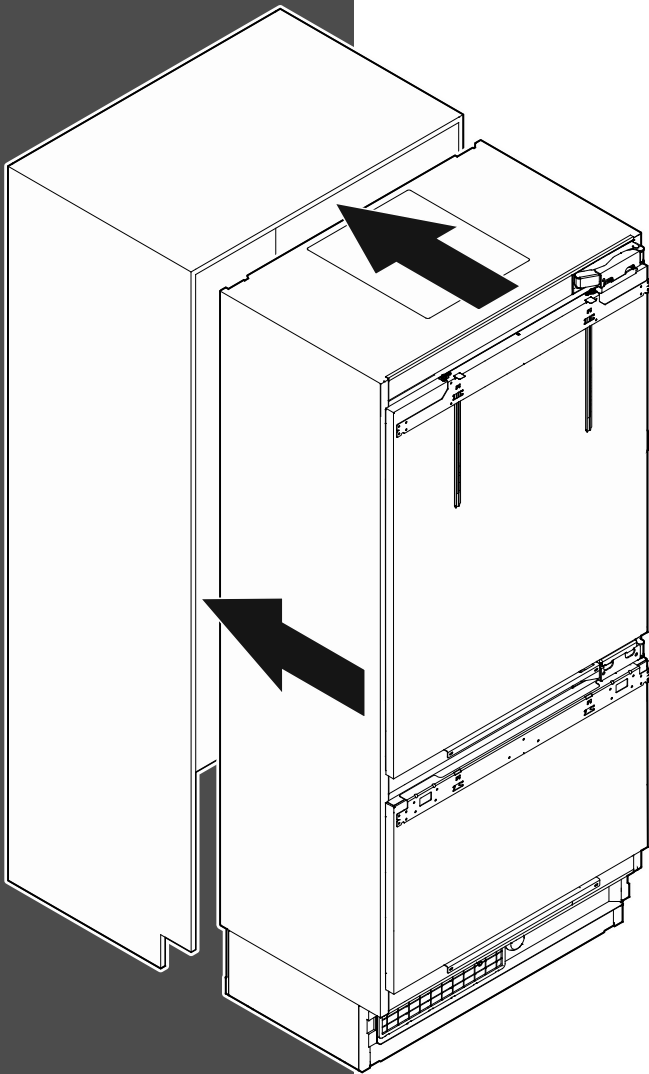


LIEBHERR

Installation Instructions

For Fully Integrated NoFrost
Combined Refrigerator-Freezers



MCB 3050 / MCB 3060
MCB 3650 / MCB 3652 / MCB 3660 / MCB 3661 / MCB 3662
7080 404-01

IMPORTANT

Table of Contents	Page
Please Read and Follow these Instructions	2
Note to the Installer	2
Important Safety Information	3
R600a Refrigerant.....	4
Disposal of Old Appliance	4
Disposal of Packaging Material	4
Electrical Safety	5
Blocking for Safety.....	5
Appliance Dimensions.....	6
Door Swing Clearance (top view)	6
Cabinet Opening Dimensions.....	7
Panel Dimensions	8
Unpacking	10
Standard Accessories.....	12
Anti-tipping device	14
Safety Instructions and Warnings for Water Connection	16
Water Connection Requirements	16
Appliance Installation.....	16
Installing the Refrigerator Panel (MCB 30. / MCB 36.0).....	20
Installing the Refrigerator Panel (MCB 36.2).....	24
Installing the Freezer Panel	28
SmartDeviceBox (Not Supplied in All Countries)	33
Please note in case of removing appliance from the recess.....	33
Important Note for Changing over Door Hinges or Limiting the Hinges to a 90° Opening Angle	33

IMPORTANT

All types and models are subject to continuous improvement. The manufacturer reserves the right to make modifications to the shape, equipment, and technology.

Please Read and Follow these Instructions

These instructions contain Danger, Warning, and Caution notes.

This information is important for safe and efficient installation and operation.

Always read and comply with all Danger, Warning, and Caution notes!



DANGER!

Danger indicates a hazard which will cause serious injury or death if precautions are not followed.



WARNING!

Warning indicates a potentially hazardous situation which, if not avoided, could result in death or serious injury.



CAUTION!

Caution indicates a potentially hazardous situation which, if not avoided, may result in minor or moderate injury.

IMPORTANT

This indicates information that is especially relevant to a problem-free installation and operation.

Note to the Installer

It is very important to follow the instructions in the manual to ensure proper installation and operation of the unit.

Before installing the unit, be sure to thoroughly read and understand all of the information in this manual.



WARNING!

Electrocution hazard.

Do not connect to the electrical outlet before the installation is completed.

Important Safety Information

- **WARNING:** Keep ventilation openings, in the appliance enclosure or in the built-in structure, clear of obstruction.
- **WARNING:** Do not use mechanical devices or other means to accelerate the defrosting process, other than those recommended by the manufacturer.
- **WARNING:** Do not damage the refrigerant circuit.
- **WARNING:** The power cord must not be damaged while installing the appliance.
- **WARNING:** Multi-sockets or distributor strips and other electronic devices (such as halogen transformers) must not be positioned and operated at the rear of appliances.
- **WARNING:** Danger of injury through electric shock! There are live parts under the cover. Only have the interior LED light replaced or repaired by customer service staff or trained personnel.
- **WARNING:** Risk of injury from the LED lamp. The light intensity of the LED light complies with risk group RG 2. If the cover is defective, do not look directly at the light through optical lenses from close distance. This may damage your eyes.
- **WARNING:** This appliance must be secured as described in the Use and Care Manual (Installation Instructions) to rule out any potential risks due to its instability.
- **WARNING:** Do not use electrical appliances inside the food storage compartments of the appliance, unless they are of the type recommended by the manufacturer.
- Any repairs and work on the appliance should only be performed by the customer service department. Unauthorized work may be dangerous to the user. The power source cable should only be changed or replaced by the customer service department. Component parts and power cords shall be replaced with like components performed by factory authorized service personnel only.
- Do not stand on the toe kick, drawers or doors or use them to support anything else.
- This appliance is not intended for use by persons (including children) with reduced physical, sensory or mental capabilities or lack of experience and knowledge unless they have been given initial supervision or instruction concerning use of the appliance by a person responsible for their safety. Children should be supervised to ensure that they do not play with the appliance.
- Do not store explosive substances such as aerosol cans with a flammable propellant in this appliance.
- To prevent injury and damage to property, the appliance should only be installed by 4 people.
- Check the appliance for signs of damage after unpacking. Contact the supplier if it is damaged. Do not connect the appliance to the mains power supply.
- Avoid prolonged skin contact with cold surfaces (e.g., chilled/frozen products). If necessary, take safety action (e.g., gloves).
- Do not consume food which has been stored for too long; it could cause food poisoning.

- Any repairs and work on the appliance should only be performed by the customer service department or other trained personnel. The same applies to changing the power cord.
- Only perform repair and other work on the appliance when the plug has visibly been disconnected.
- Only install, connect, and dispose of the appliance as described in this Use and Care Manual.
- In the event of a fault, pull out the plug or switch off the fuse.
- When disconnecting the appliance from the power source, pull it out by the plug, never pull on the cable.
- If you have a lockable appliance, do not keep the key near the appliance or within reach of children.
- The appliance is designed for use in enclosed rooms. Do not operate the appliance outdoors or in areas where there is moisture or splashing water.
- Do not use the interior LED light to light the room. The interior LED light is only designed to illuminate the interior of the appliance.
- Do not allow naked flames or ignition sources to enter the appliance.
- Alcoholic drinks or other vessels containing alcohol should be sealed tightly for storage.

R600a Refrigerant



WARNING!

The refrigerant R600a contained within the appliance is environmentally friendly, but flammable. Leaking refrigerant can ignite.

Disposal of Old Appliance



DANGER!

Risk of child entrapment.

Child entrapment and suffocation are not problems of the past.

Junked or abandoned refrigerators are still dangerous – even if they will sit for “just a few days.”

If you are getting rid of your old refrigerator, please follow these instructions to help prevent accidents.

Before you discard old appliances:

- **Take off the doors.**
- **Leave the shelves in place so that children may not easily climb inside.**
- **Cut off the power cord from the discarded appliance. Discard separately from the appliance.**
- **Be sure to follow your local requirements for disposal of appliances.**

Contact the trash collection agency in your area for additional information.

Disposal of Packaging Material



WARNING!

Keep packaging materials away from children. Polythene sheets and bags can cause suffocation!

If possible, please recycle packaging material at a recycling facility.

Electrical Safety

Connect this appliance to a 15 amp or 20 amp, 110-120 VAC circuit which is grounded and protected by a circuit breaker or fuse.

We recommend using a dedicated circuit for this appliance to prevent circuit overload and the chance of interruption to the appliance.

This appliance is equipped with a three-prong (grounding) polarized plug for your protection against possible shock hazards.

Where a two-prong wall receptacle is encountered, contact a qualified electrician and have it replaced with a properly grounded three-prong receptacle in accordance with all local codes and ordinances.

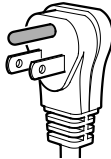


WARNING!

Electrocution hazard.

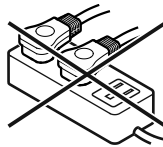
Electrical grounding required.

- **Do not remove the round grounding prong from the plug.** →



- **Do not use extension cords or ungrounded (two prong) adapters.**

- **Do not use a power cord that is frayed or damaged.**



- **Do not use a power strip.** →

Failure to follow these instructions may result in fire, electric shock or death.

Blocking for Safety

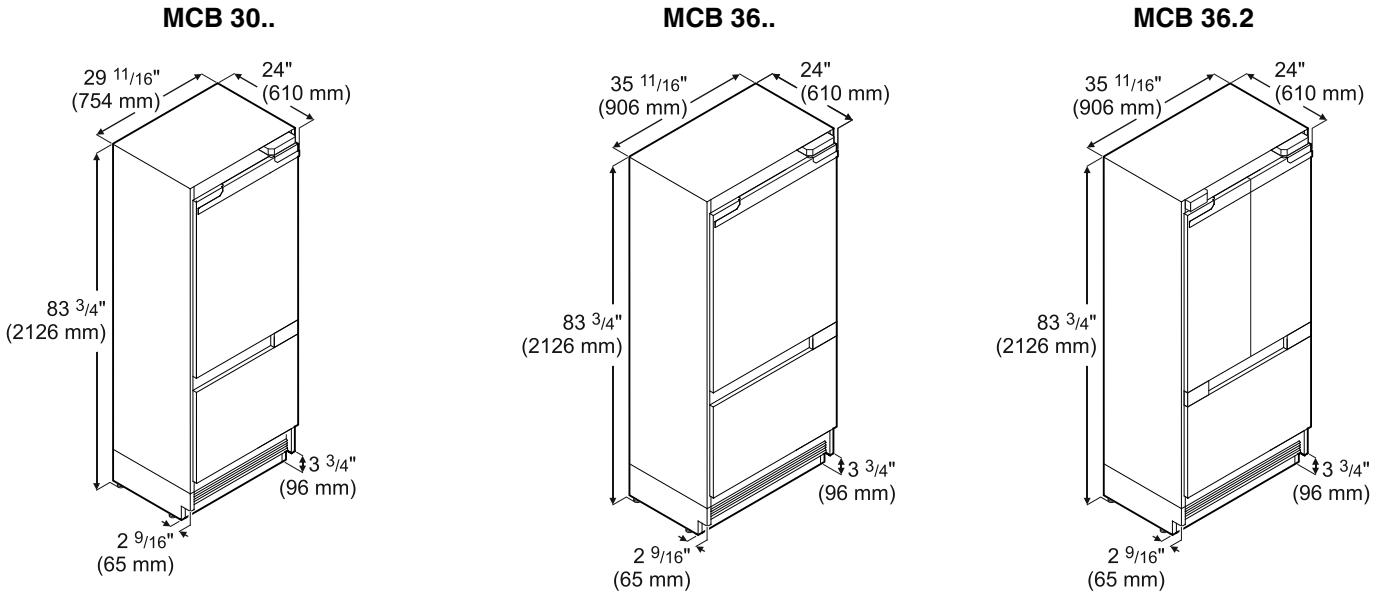


WARNING!

To avoid a hazard due to instability of the appliance, it must be fixed in accordance with the instructions.

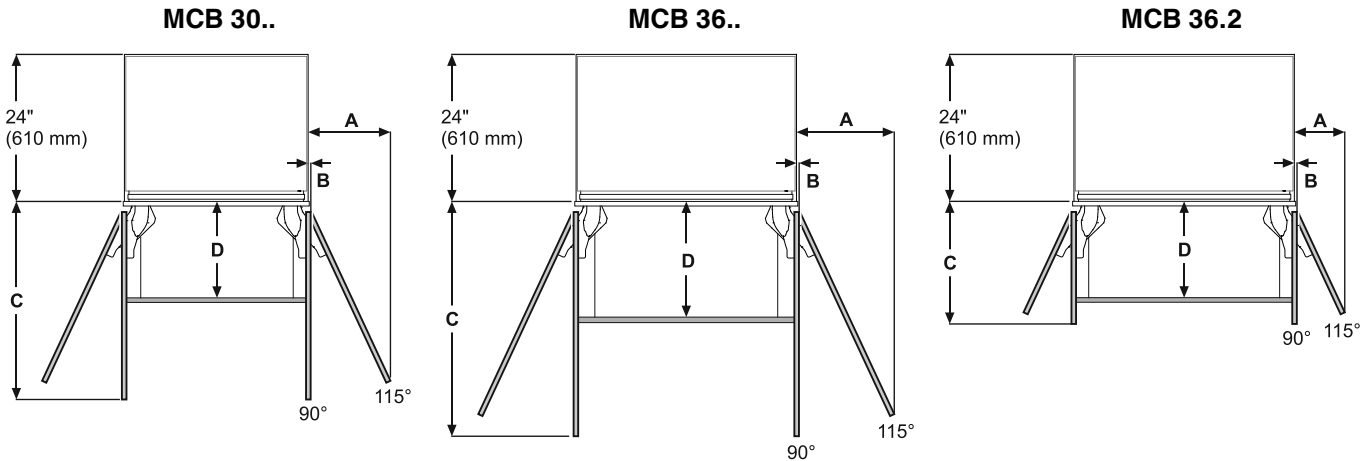
PLANNING INFORMATION

Appliance Dimensions



Stated minimum height dimensions include when the levelled feet are fully inserted.
Width will increase by 1/4" (6.5 mm) when mounting strips are installed.

Door Swing Clearance (top view)



Inset installation style

- A = 13 1/4" (337 mm)
- B = 1/2" (12.5 mm)
- C = 31 7/8" (810 mm)

Frameless installation style

- A = 13 1/2" (343 mm)
- B = 1/2" (12.5 mm)
- C = 32 3/8" (822 mm)
- D = 15 3/4" (400 mm)

Inset installation style

- A = 15 3/4" (400 mm)
- B = 1/2" (12.5 mm)
- C = 37 7/8" (962 mm)

Frameless installation style

- A = 16" (406 mm)
- B = 1/2" (12.5 mm)
- C = 38 3/8" (975 mm)
- D = 15 3/4" (400 mm)

Inset installation style

- A = 8 1/4" (210 mm)
- B = 1/2" (12.5 mm)
- C = 20 1/16" (510 mm)

Frameless installation style

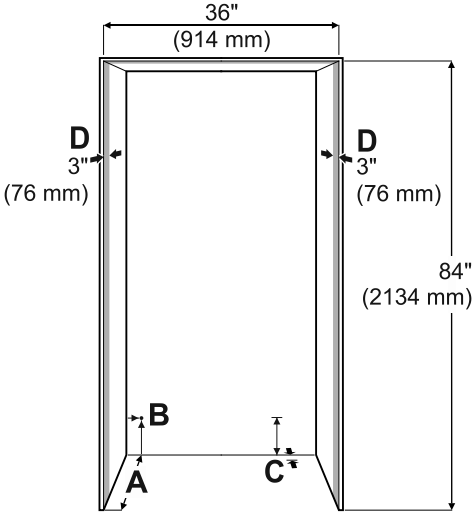
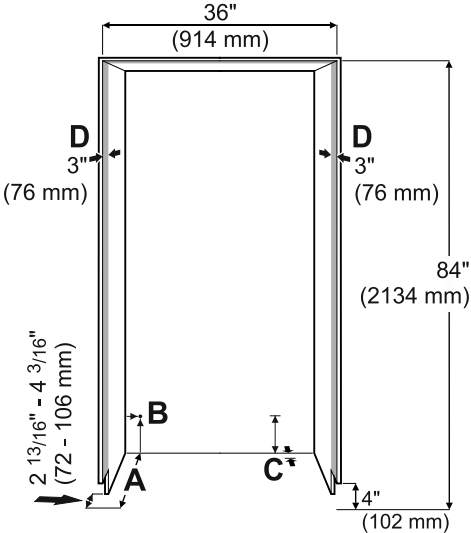
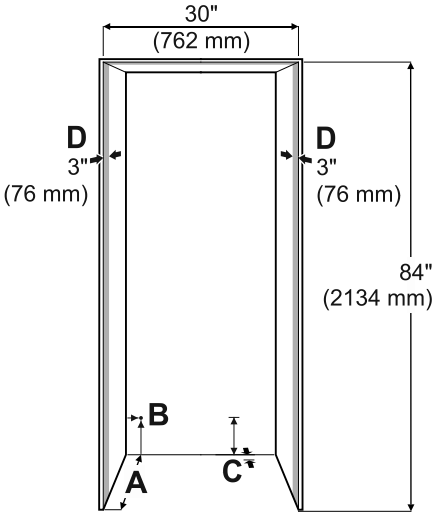
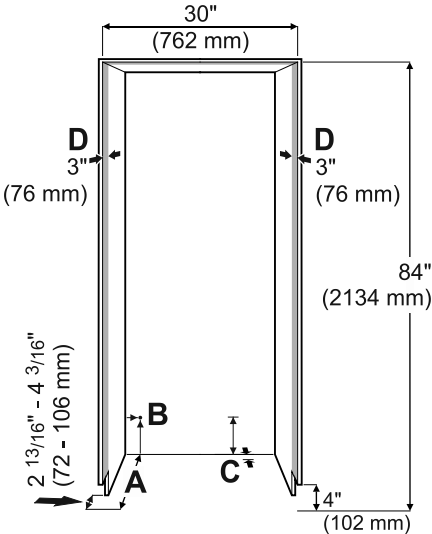
- A = 8 1/4" (210 mm)
- B = 1/2" (12.5 mm)
- C = 20 1/16" (510 mm)
- D = 15 3/4" (400 mm)

Dimension A and B: Add panel thickness and handle to calculate distance to wall.

Cabinet Opening Dimensions

Continuous toe kick

Individual toe kick



A Cabinet depth frameless installation style = 25" (635 mm)

Cabinet depth inset installation style = 25" (635 mm) plus panel thickness

B This is the point where the power cord exits from the appliance rear. 3/4" (19 mm) from the left and 5" (127 mm) from the floor.

Free length of the power cord is 98" (2.5 m).

IMPORTANT

The power plug must be easily accessible so that the appliance can be disconnected from the mains quickly in an emergency. It must not be behind the back of the appliance.

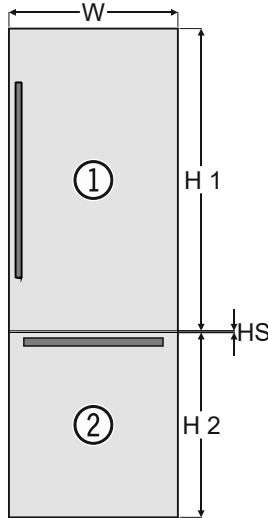
C The appliance has a recess in this area for cable and waterline laying.

1" (25 mm) in depth and 5 1/2" (140 mm) in height over the whole width of the appliance.

D This surface is visible when the appliance door is open. Designed finish is required.

PLANNING INFORMATION

Panel Dimensions



30" recess

Inset installation style

H1 = 49 3/8" (1255 mm)

H2 = 30 1/4" (768 mm)

HS = 1/4" (6 mm)

W = 29 3/4" (756 mm)

Frameless installation style

H1 = 49 1/2" (1258 mm) plus overlapping of the panel on the top

H2 = 30 1/4" (768 mm)

HS = 1/4" (6 mm)

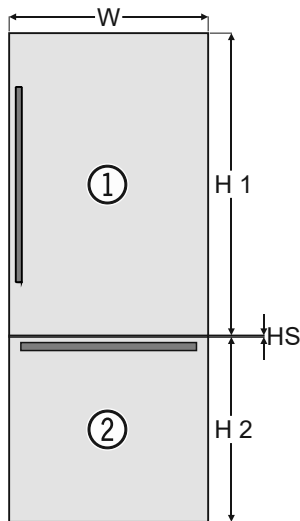
W = 30" (762 mm) plus overlapping of the panel on both sides

Minimum panel thickness = 5/8" (16 mm) *

Maximum panel thickness = 1" (25 mm)

Maximum panel weight (1) = 49 lbs (22 kg)

Maximum panel weight (2) 29 lbs (13 kg)



36" recess

Inset installation style

H1 = 49 3/8" (1255 mm)

H2 = 30 1/4" (768 mm)

HS = 1/4" (6 mm)

W = 35 3/4" (908 mm)

Frameless installation style

H1 = 49 1/2" (1258 mm) plus overlapping of the panel on the top

H2 = 30 1/4" (768 mm)

HS = 1/4" (6 mm)

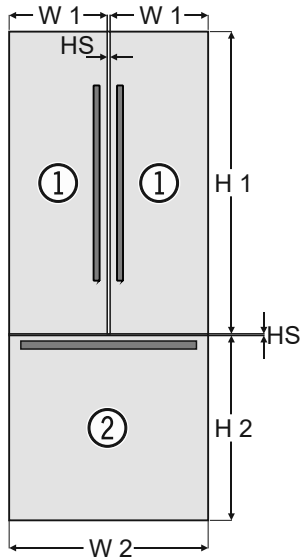
W = 36" (914 mm) plus overlapping of the panel on both sides

Minimum panel thickness = 5/8" (16 mm) *

Maximum panel thickness = 1" (25 mm)

Maximum panel weight (1) = 55 lbs (25 kg)

Maximum panel weight (2) = 33 lbs (15 kg)



36" recess

Inset installation style

H1 = 49 3/8" (1255 mm)

H2 = 30 1/4" (768 mm)

HS = 1/4" (6 mm)

W1 = 17 3/4" (451 mm)

W2 = 35 3/4" (908 mm)

Frameless installation style

H1 = 49 1/2" (1258 mm) plus overlapping of the panel on the top

H2 = 30 1/4" (768 mm)

HS = 1/4" (6 mm)

W1 = 17 7/8" (454 mm) plus overlapping of the panel outwards

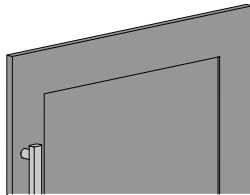
W2 = 36" (914 mm) plus overlapping of the panel on both sides

Minimum panel thickness = 5/8" (16 mm) *

Maximum panel thickness = 1" (25 mm)

Maximum panel weight (1) = 29 lbs (13 kg)

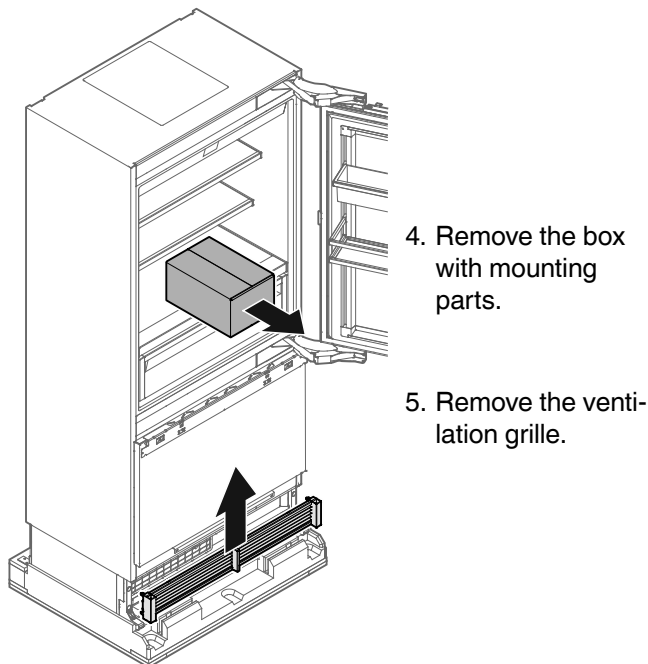
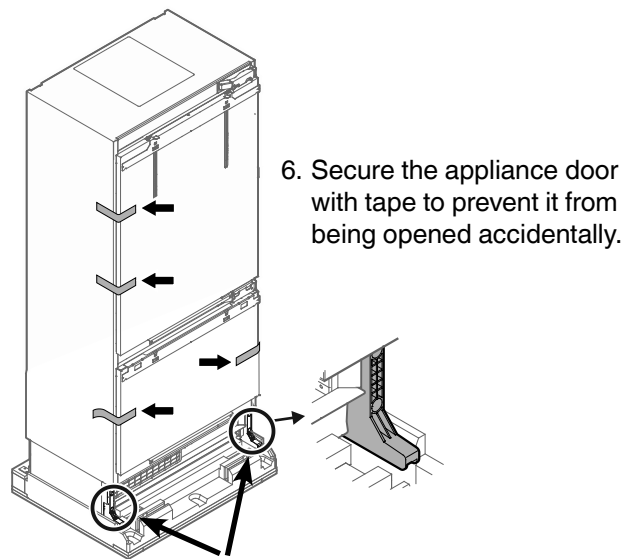
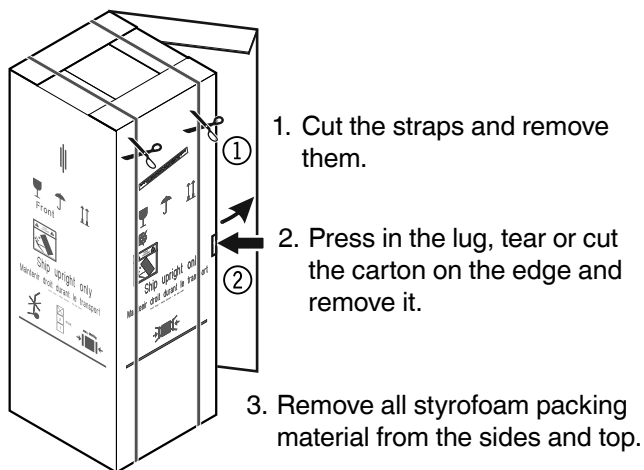
Maximum panel weight (2) = 33 lbs (15 kg)



* If a "shaker style" panel is used which undershoots the minimum panel thickness, shorter screws than those supplied in the accessory pack must be used.

UNPACKING

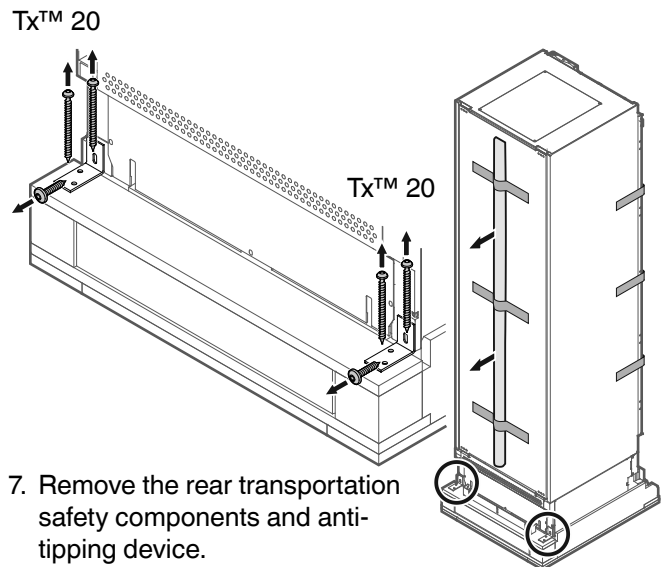
Unpacking



⚠ DANGER!

Risk of death or serious injury due to appliance tipping.

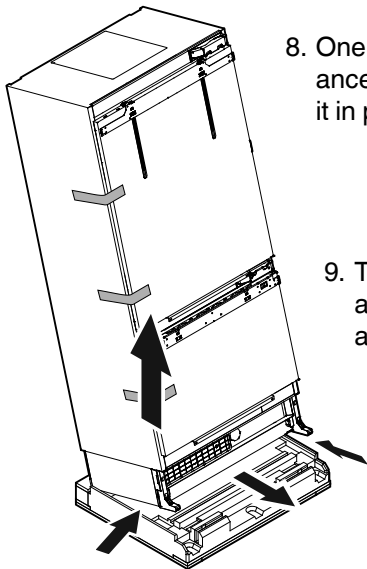
Do not remove the transit supports before the appliance is in the recess.



⚠ WARNING!

Risk of injury and damage.

Four people are required to safely remove the appliance from the bottom pallet.



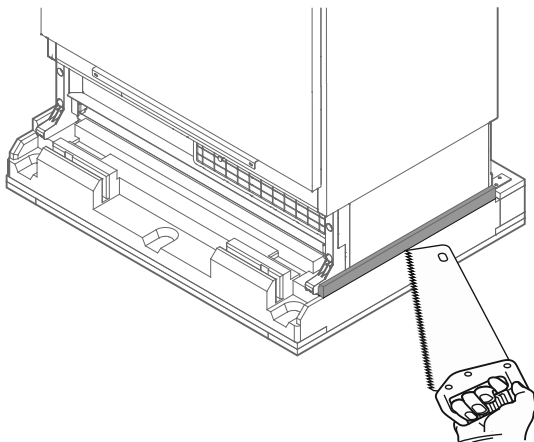
8. One person tilts the appliance back carefully and holds it in place.

9. Two people grasp the appliance from the bottom and lift. One on each side.

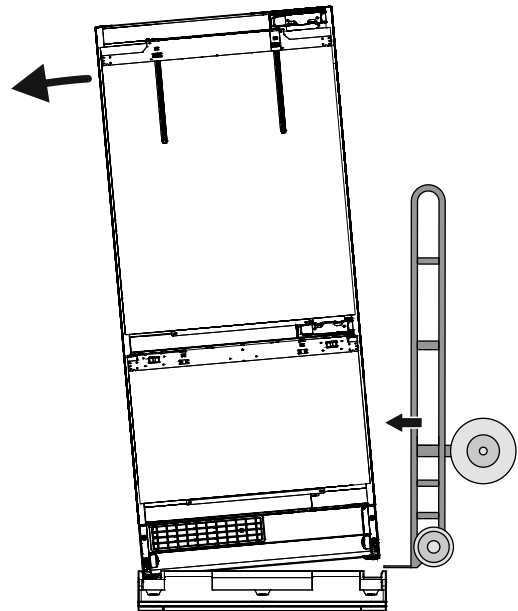
10. One person removes the pallet.
Place the appliance carefully on the floor.

Alternative possibility:

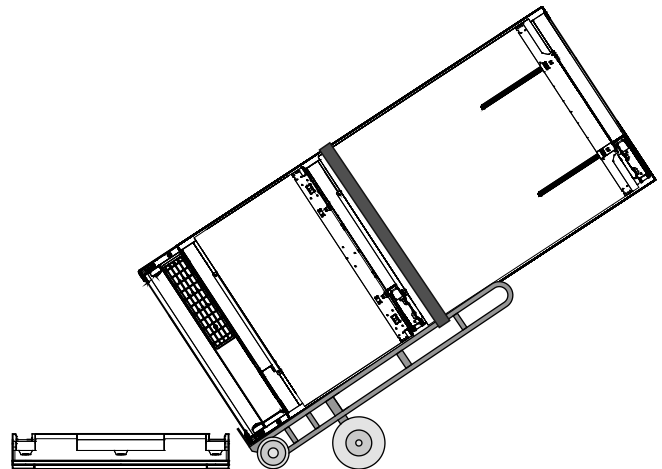
Cut off the marked area from the pallet.



Tilt the appliance slightly sideways.



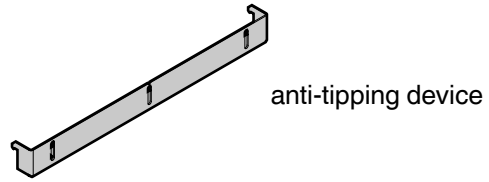
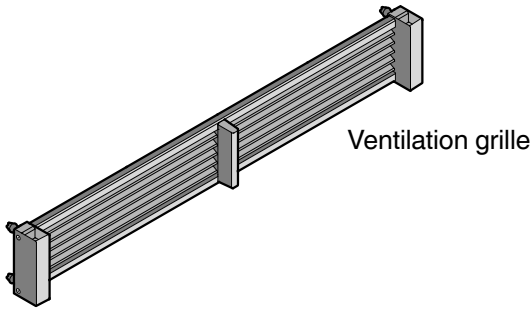
Slide a two-wheeled cart between the appliance and packaging.
Restrain the appliance to the cart with straps.
Tilt the appliance onto the cart.



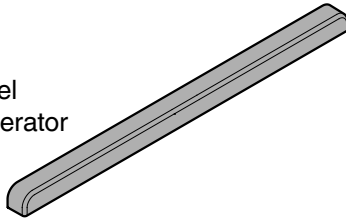
Place the appliance carefully on the floor.

STANDARD ACCESSORIES

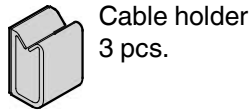
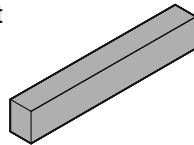
Standard Accessories



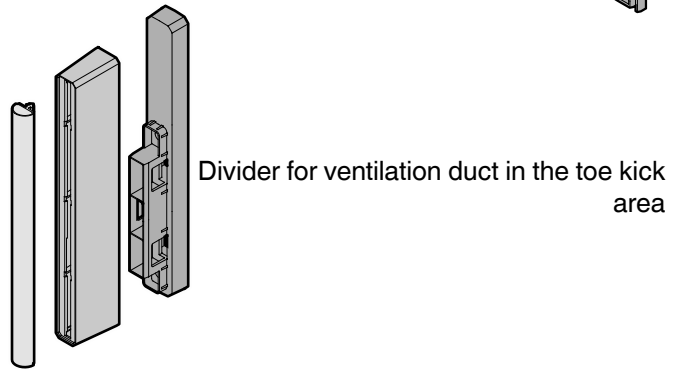
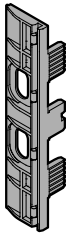
Top cover for the door panel attachment bracket (Refrigerator Compartment)
 MCB 30..
 MCB 36..




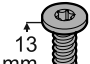
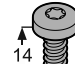
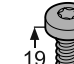
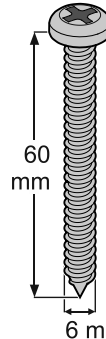

Top cover for the door panel attachment bracket ((Refrigerator Compartment))
 MCB 36.2 2 pcs.

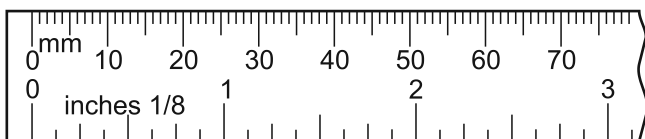


Panel support
 10 pcs.



Retaining screws for installation

20 pcs.	20 pcs.	16 pcs.	2 pcs.	8 pcs.
				
M6 x 12	13 mm 3.9 mm	14 mm 4 mm	19 mm 4 mm	60 mm 6 mm
Tx™ 20	Tx™ 10	Tx™ 15	Tx™ 15	
	MCB 30.. MCB 36.. MCB 36.2	40 pcs. 40 pcs. 50 pcs.		
				
14 mm 4 mm				
Tx™ 15				



Screw length measuring tool

BLOCKING FOR SAFETY

Anti-tipping device

Secure the appliance in place so it does not tip forward when the fully stocked door is opened. The anti-tipping bracket is provided with the appliance.

- May only be installed by trained personnel.
- The (1/4" x 2-3/8") screws are designed for standard dry walls.
- If the anti-tipping bracket cannot be secured properly using the (1/4" x 2-3/8") screws, use suitable anchors or different screws.

Position anti-tipping device - Figure 1- 2

IMPORTANT

Cabinet depth min. 25"

The anti-tipping bracket will be fastened to the floor downwards and to the spacer backwards.

WARNING!

Be sure the wooden spacer is fastened securely to the floor.

Inset kitchen cabinets - Figure 1

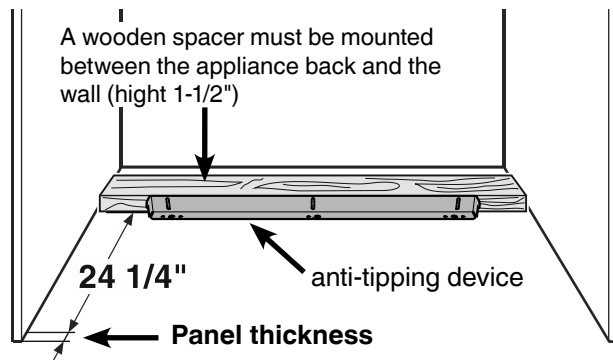


Figure 1

Frameless kitchen cabinets - Figure 2

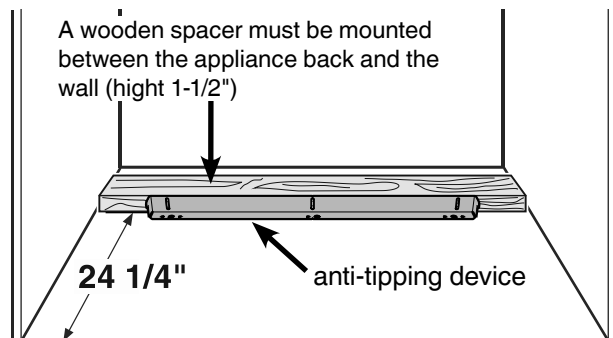


Figure 2

IMPORTANT

If the floor slopes down sideways, the anti-tipping bracket must be fitted horizontally. Lay down spacers in the appropriate positions.

Mounting the anti-tipping device on wooden floors - Figure 3

1. Mark the center line of the appliance on the back wall. Align the anti-tipping bracket center to this line.

WARNING!

Be sure that there is no plumbing or electrical wiring located in this area which screws or drills could damage.

2. Fasten bracket to the wooden floor using 5 screws (1/4" x 2-3/8"). Drill pilot holes if necessary.
3. Fasten bracket with 3 screws (1/4" x 2-3/8") into the wall plate.

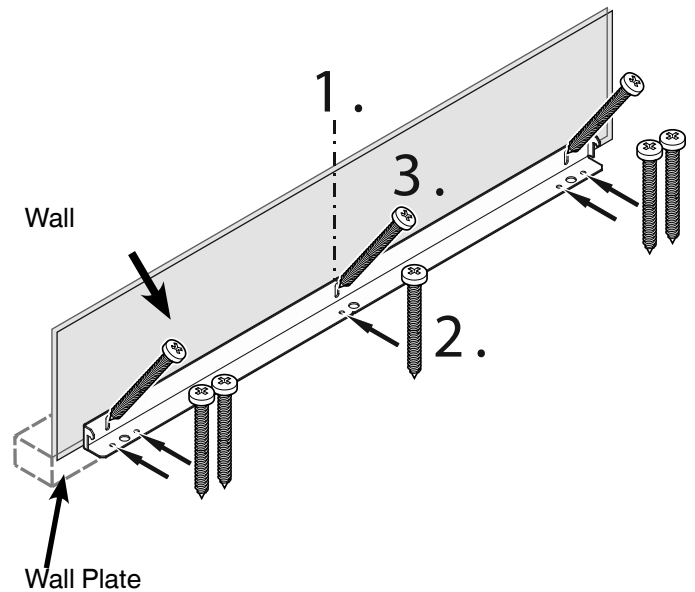


Figure 3

Mounting the anti-tipping device on concrete floors - Figure 4 - 5

1. Mark the center line of the appliance on the back wall.
Align the anti-tipping bracket center to this line.

WARNING!

Be sure that there is no plumbing or electrical wiring located in this area which screws or drills could damage.

2. Drill a 3/8" diameter hole in any position as shown in **Figure 4** using a carbide drill bit.
The depth of the holes must exceed the overall length of the anchors.
Clean the holes after drilling.
3. Attach washer and screw on hex nut to the end of each anchor.
Drive in all 3 anchors.
Align the bracket center to the center line on the back wall again.
Fasten the anchors by turning the hex nut.
4. Fasten bracket with 3 screws (1/4" x 2-3/8") into the wall plate (**Figure 5**).

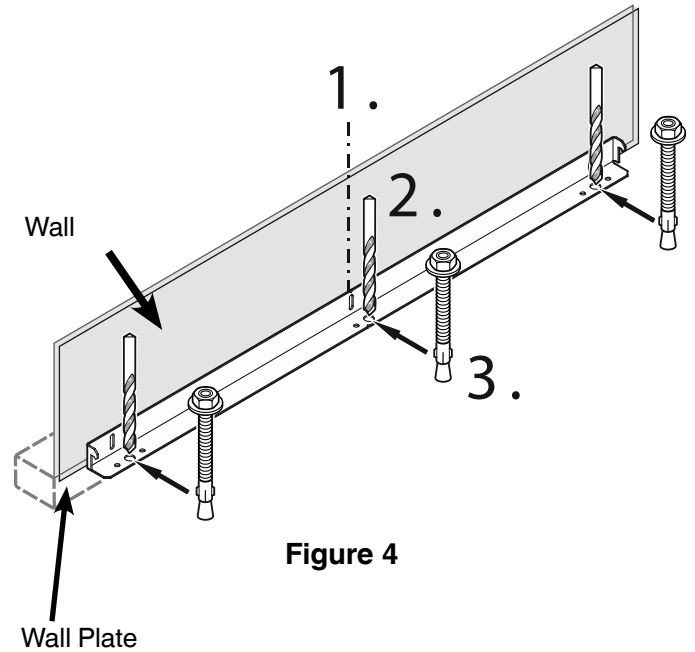


Figure 4

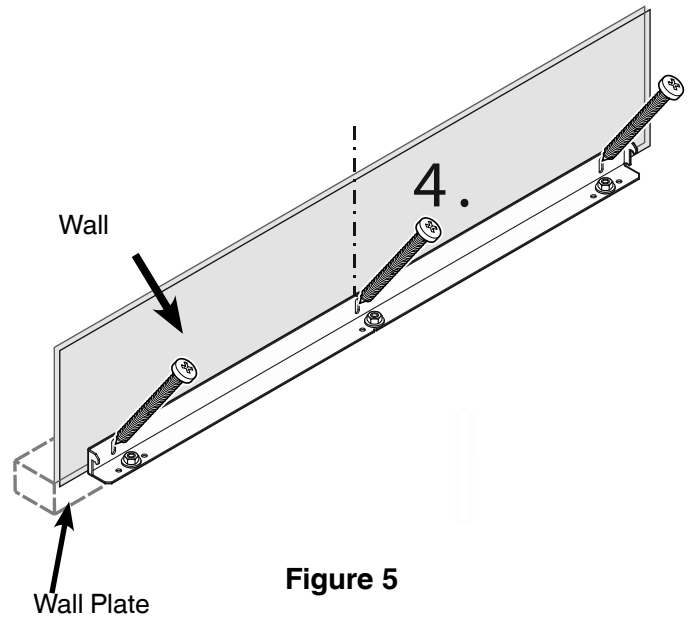


Figure 5

INSTALLATION

Safety Instructions and Warnings for Water Connection

- Do not install the water connection while the appliance is connected to an electrical outlet.
- The connection to the water supply may only be made by a trained and licensed plumber.

WARNING!

Connect to potable water supply only.

Water Connection Requirements

- The water pressure must be in the range of **40-90 psi (2.8-6.2 bar)**.

Failure to meet these requirements may result in water dispenser malfunction and a water leak that can damage flooring and surrounding furniture.

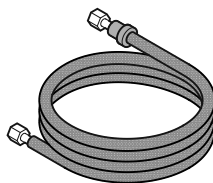
- A shut-off valve must be installed between the water line and the main water supply. It must be easily accessible so the water supply can be stopped immediately if necessary.

IMPORTANT

Do not install the shut-off valve behind the appliance.

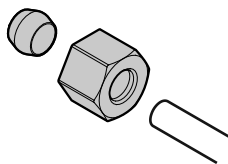
The water dispenser is connected using a 1/4" compression fitting.

For the water supply, we recommend braided style ice maker hoses with 1/4" connectors.



Thread: 7/16-24 UNS
Hose or pipe diameter 1/4"

To connect a 1/4" copper line, use a 1/4" compression nut and a metal compression ring.



To connect a 1/4" PEX line, use a 1/4" compression nut and a plastic compression ring.

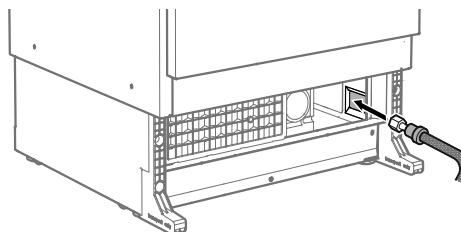
A water line is not supplied with the appliance.

IMPORTANT

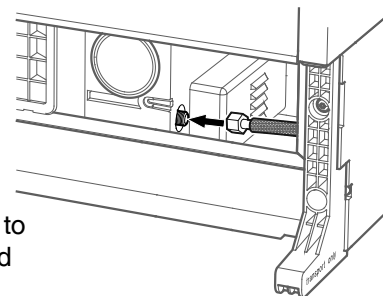
Do not use any old or already pre-mounted water supply lines.

Appliance Installation

Move the appliance towards the final position and leave enough space to work behind.



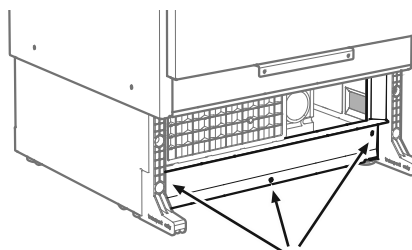
Insert the water line until it comes out on the appliance rear and pull through.



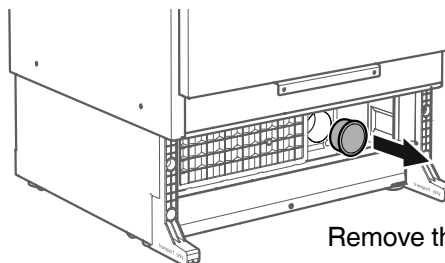
Connect the other end to the male connector and tighten.

IMPORTANT

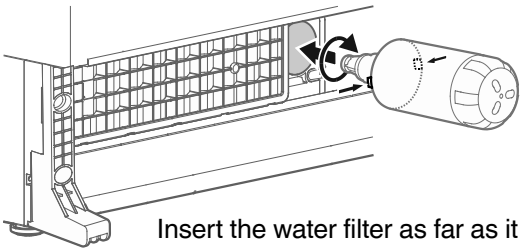
Make sure that the connection is fitted with a seal and is tight.



The steel plate can be removed to facilitate connecting the water hose.



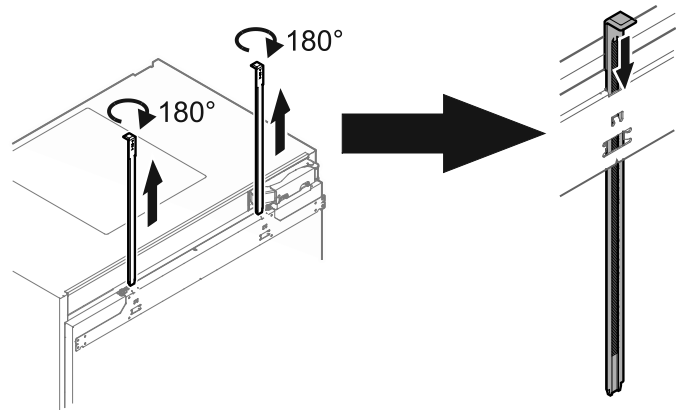
Remove the cover.



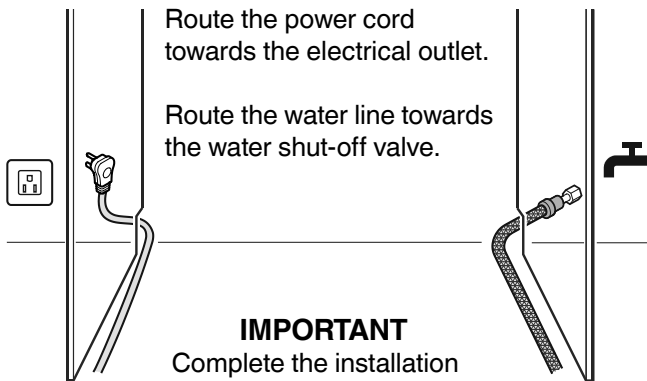
Insert the water filter as far as it will go with the front knobs in a horizontal position and turn clockwise until it snaps in.

IMPORTANT

The water filter must be installed. Otherwise, the system may be blocked by dirt.



Remove the mounting strips, turn them through 180° and insert them as far as possible into the attachment bracket.

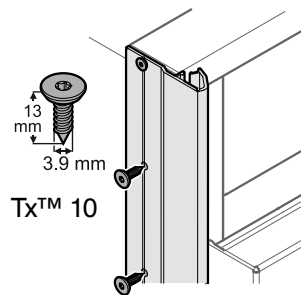


Route the power cord towards the electrical outlet.

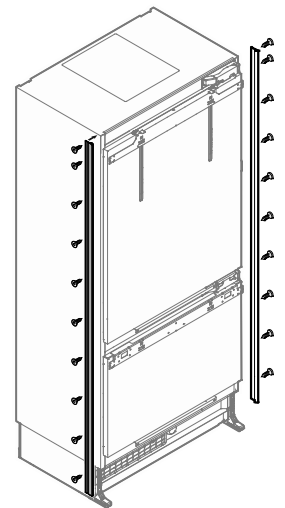
Route the water line towards the water shut-off valve.

IMPORTANT

Complete the installation before switching on the device.



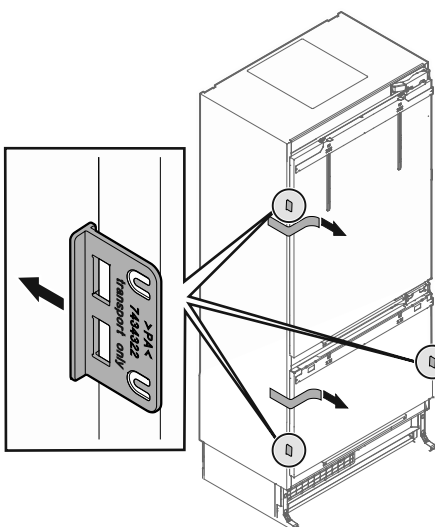
TX™ 10



Apply the appliance cover strips to the left and right front edge of the appliance housing, align in height with the top profile and screw into place. The strip is transparent so the designed mounting holes on the appliance housing are visible. We recommend that you mark and pre-drill the hole positions in the strip.

IMPORTANT

Use the correct flat head screws, otherwise the edges of the cabinet will be damaged when sliding the appliance into the recess.

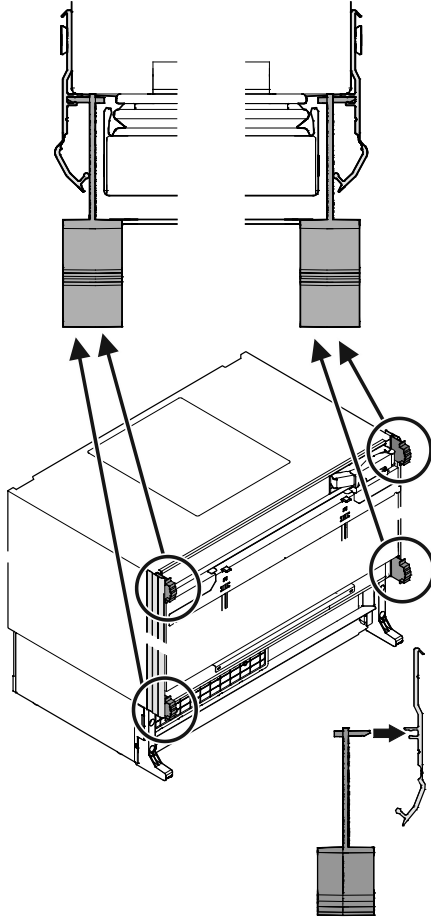


Remove the tapes.

Open the door and remove the transit support.

INSTALLATION

Mounting the depth adjustment aid into the cover strips



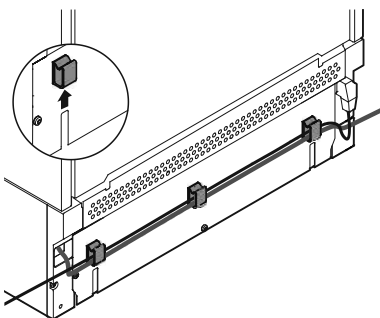
CAUTION!

Power cord/Water line trapped between anti-tipping device and rear of the appliance. Power cord/Water line crushed. Install cable holders. Insert power cord/water line in cable holders.

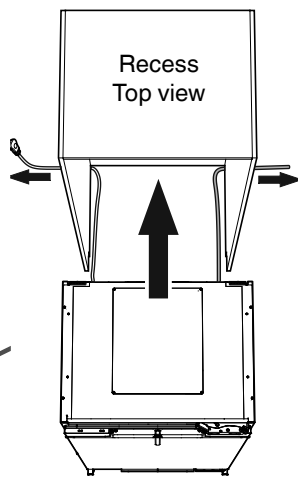
Slide the appliance into the recess. To avoid damage, pull the power cord and water line backwards at the same time with slight tension.

IMPORTANT

These steps are only necessary if the electrical outlet or water line are on the opposite side.

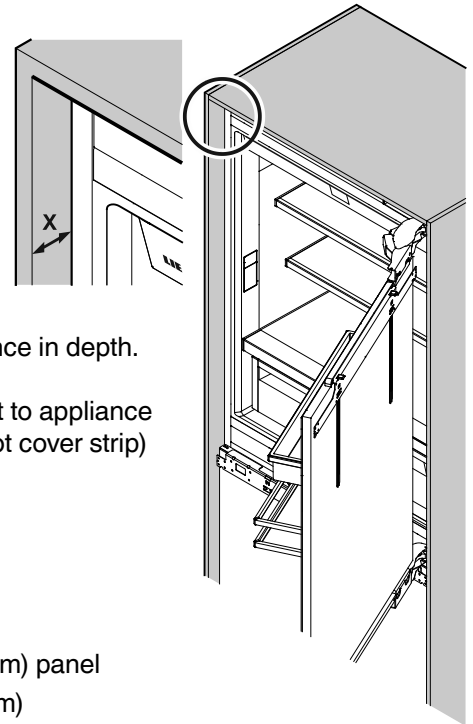


Install the cable holders on the rear of the appliance. Insert power cord/water line in cable holders.



IMPORTANT

After sliding the appliance into the recess, plug in the appliance and check its function. Then unplug it again.



Align the appliance in depth.

X = Recess front to appliance housing front (not cover strip)

Inset 7/8" (22 mm) panel

X = 2 5/8" (66 mm)

Inset 3/4" (19 mm) panel

X = 2 1/2" (63 mm)

Inset 5/8" (16 mm) panel

X = 2 3/8" (60 mm)

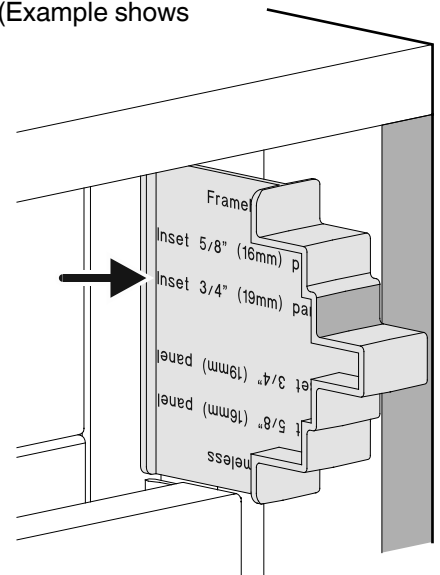
Frameless

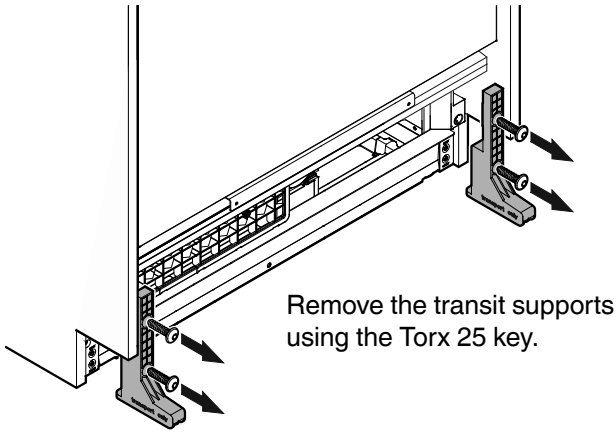
X = 1 3/4" (44 mm)

or

with the depth adjustment aid:

The surface of the depth adjustment aid must be flush with the surface of the recess. (Example shows 3/4" (19mm))



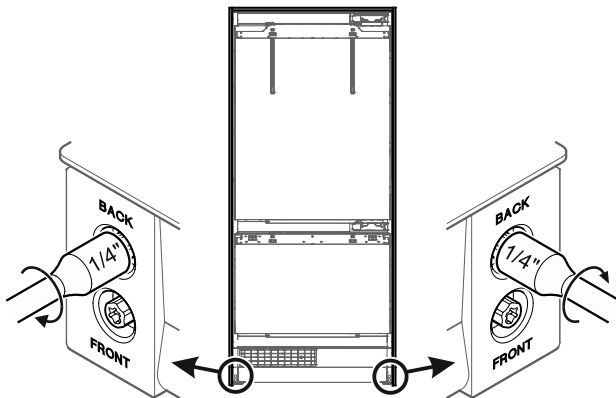


Remove the transit supports using the Torx 25 key.

⚠ DANGER!

Risk of death or serious injury due to appliance tipping.

Do not open the appliance door before the height adjustment is finished and the anti-tipping bracket supports the appliance.



Turn clockwise to raise the appliance.

Raise the appliance evenly by turning the screws successively until the appliance back touches the anti-tipping bracket (lift approx. 1/4" / 6.5 mm).

To attain the minimum base panel height of 4" (102 mm), the adjustable feet must be raised by 1/4" (6 mm) to 5/16" (8 mm).

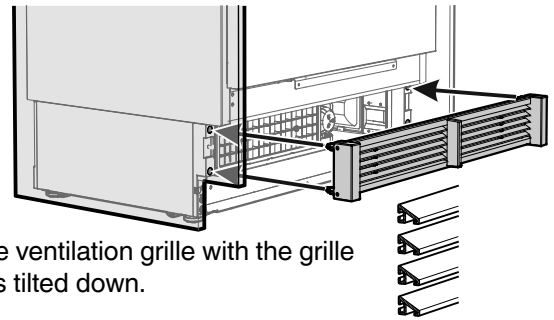
Maximum height adjustment of the appliance = 3/4"(19mm)

IMPORTANT

When turning the screws with a power driver please consider absolutely.

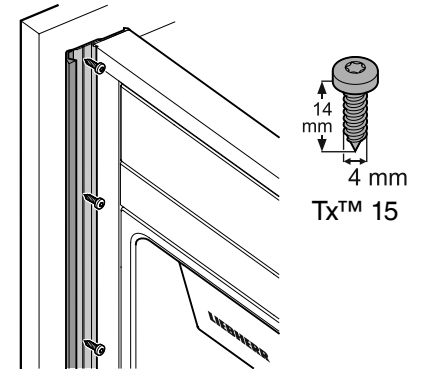
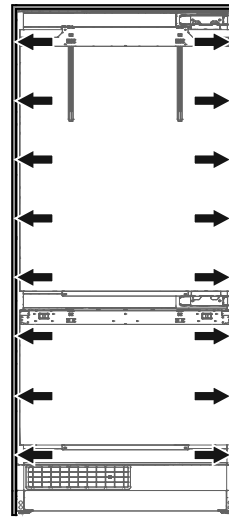
Maximum rotation speed = 400 rpm
Maximum torque = 8.8 lbs/in (1 Nm)

Failure to follow this instruction will result in damage to the height adjustment unit.

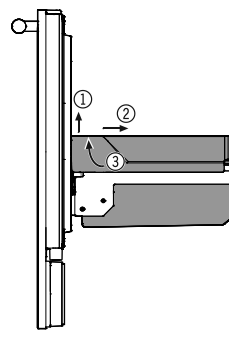


Mount the ventilation grille with the grille segments tilted down.

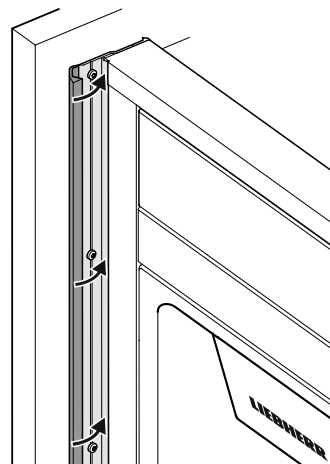
Remove the depth adjustment aid before fastening the appliance in the recess.



Fasten the appliance in the recess through the appliance cover strips using eight screws 4 x 14 for each side. We recommend that you mark and pre-drill the hole positions in the strip.



Pull the freezer drawer upwards by its right and left bottom corners (1). Push the container backwards (2). Set the container to an angle and remove it (3).



Close the front part of the appliance cover strips.

Hint:
Use the removed transportation safety component to help with closing.

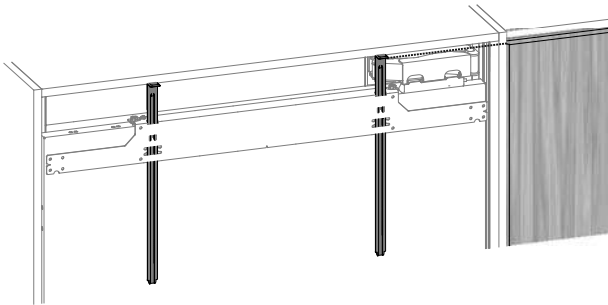
INSTALLATION

Installing the Refrigerator Panel (MCB 30.. / MCB 36..)

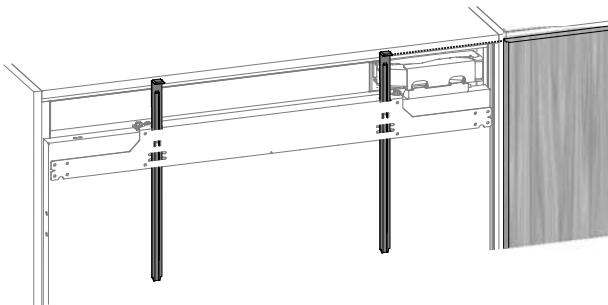
Push the mounting strips upwards.

The bottom edge of the mounting strips must be aligned with the top edge of the adjacent cabinet door.

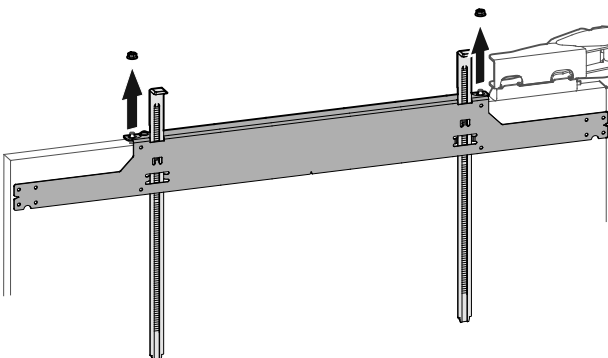
Inset installation style



Frameless installation style



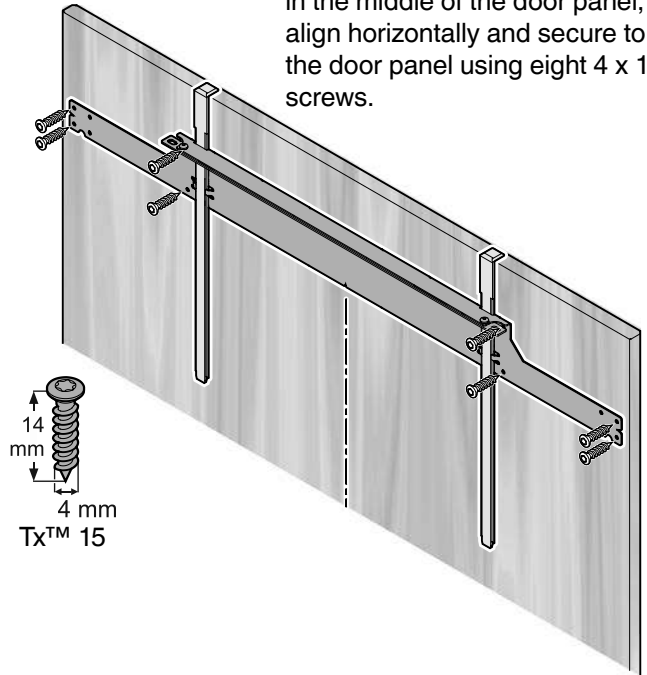
Open the door.
Unscrew the attachment bracket with the mounting strips.



IMPORTANT

As you remove them, ensure that the mounting strips do not move.

Position the attachment bracket in the middle of the door panel, align horizontally and secure to the door panel using eight 4 x 14 screws.

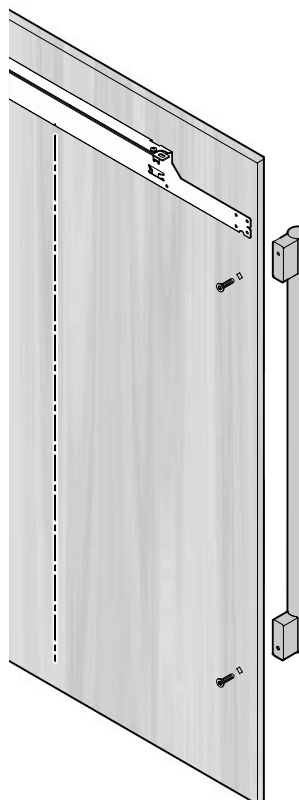


IMPORTANT

Risk of damaging the panel.
Do not undershoot the minimum panel thickness (shaker style).

IMPORTANT

Door handles should be mounted now because the side support strips will cover the mounting holes.



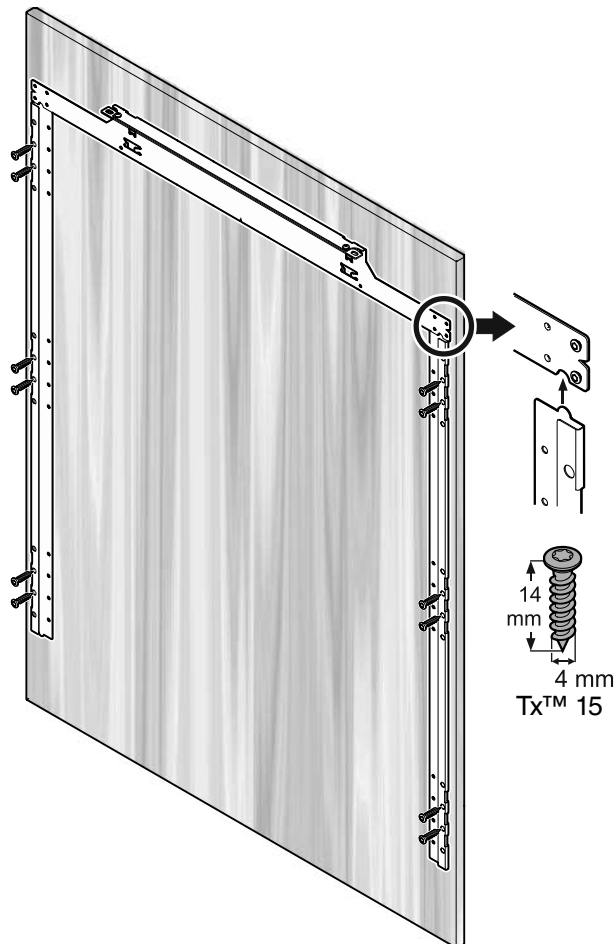
Only use countersunk screws for handle mounting.

The holes should be countersunk.

The screw heads should be flush with the panel.

Position the panel support strips with the top lug in the cut of the top attachment bracket.

Align the panel support strips parallel to the side edge of the panel and screw into place with twelve 4 x 14 screws.



IMPORTANT

Risk of damaging the panel.
Do not undershoot the minimum panel thickness (shaker style).

Move the mounting strips from the refrigerator door to the freezer door.

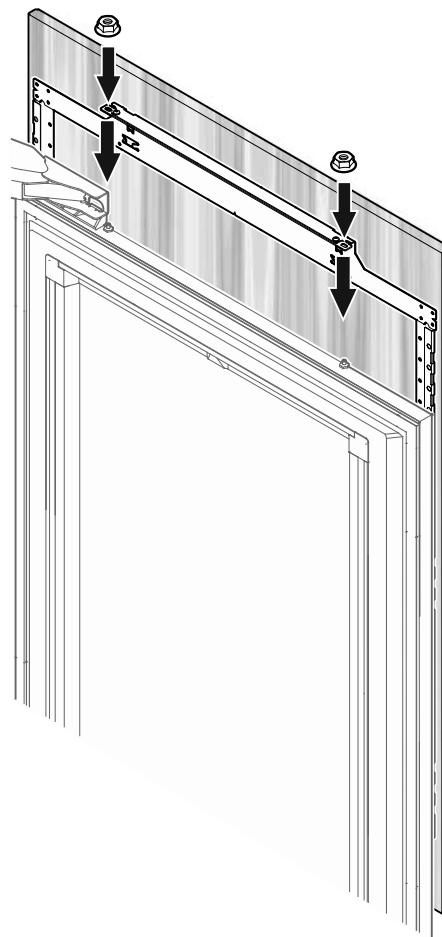
IMPORTANT

If the door has to be limited to a 90° opening angle, it must be done before the panel is mounted onto the appliance door. See chapter „**Important Note for Changing over Door Hinges or Limiting the Hinges to a 90° Opening Angle**“.

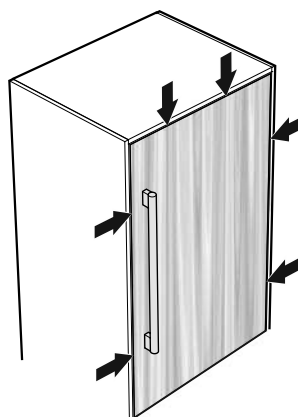
Open the appliance door.

Place the door panel on the top adjusting bolts and align in the centre.

Screw the hex nuts onto the adjusting bolts and tighten.



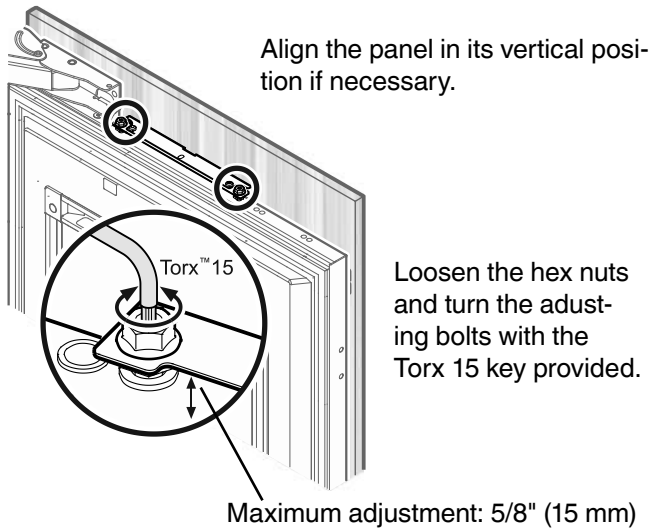
Close the door and check the position of the panel.



IMPORTANT

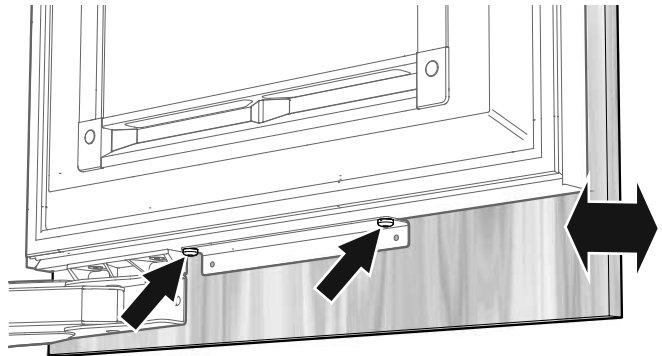
After a certain time and loading, it may be necessary to readjust the door again.

INSTALLATION

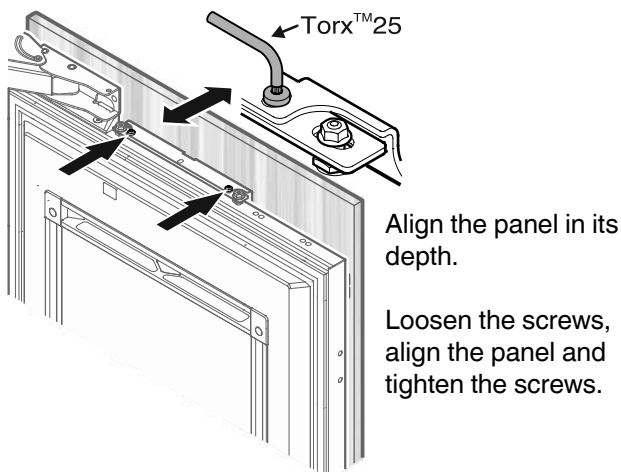
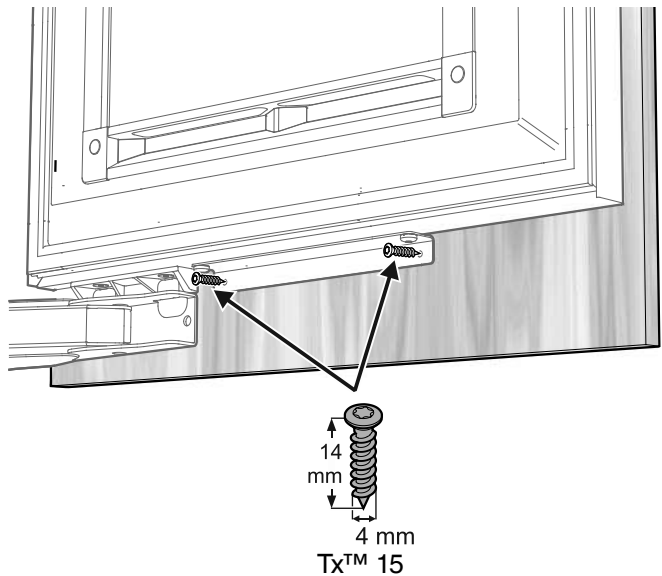
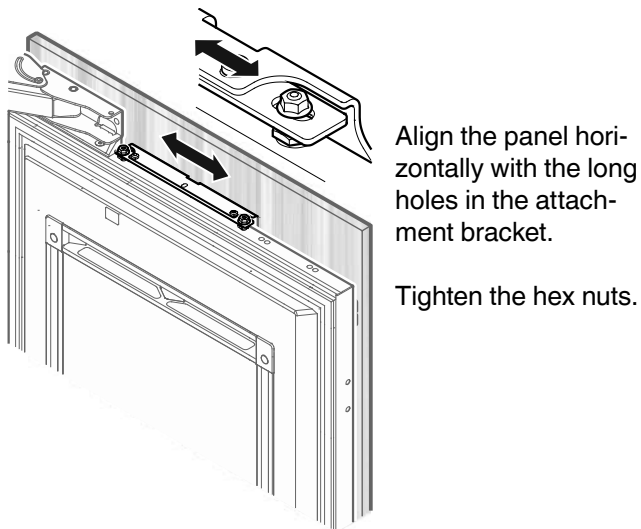


Align the panel in its depth at the bottom.

Loosen the screws, align the panel and tighten the screws. Use the Torx 20 key provided.



Fasten the panel through the bottom attachment bracket with two screws 4 x 14.



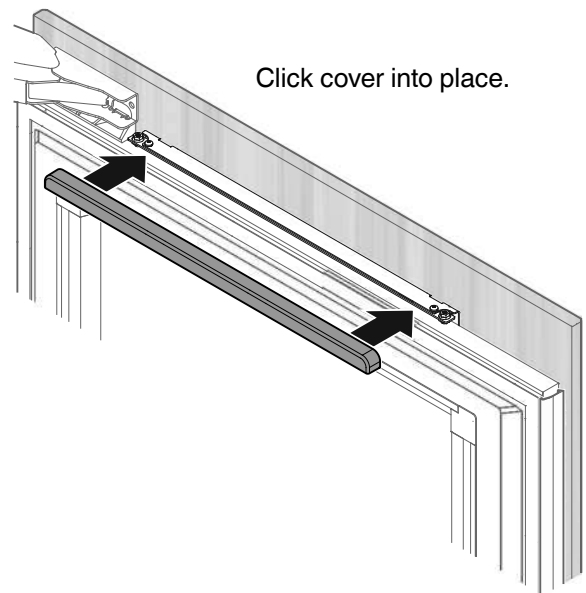
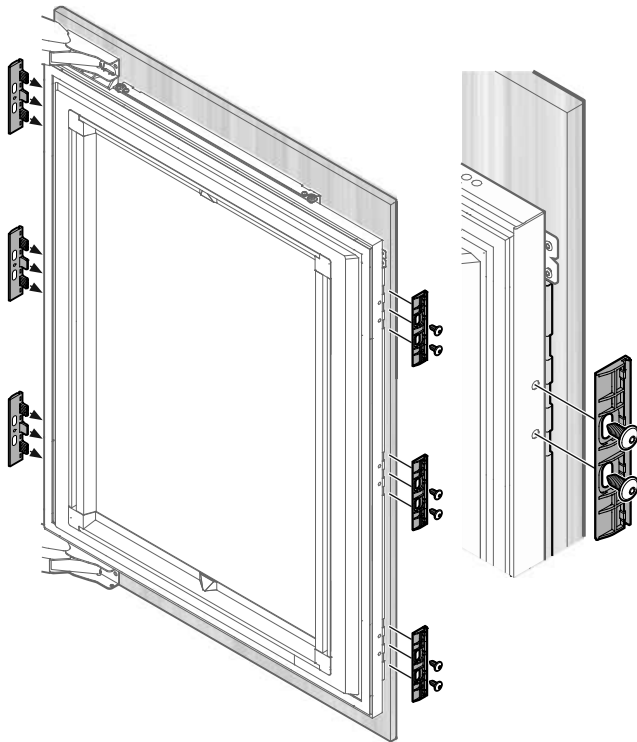
IMPORTANT

Risk of damaging the panel.
Do not undershoot the minimum panel thickness (shaker style).

Insert the panel supports into the support strips between panel and appliance door and screw into place with two screws M6 x 12 each.

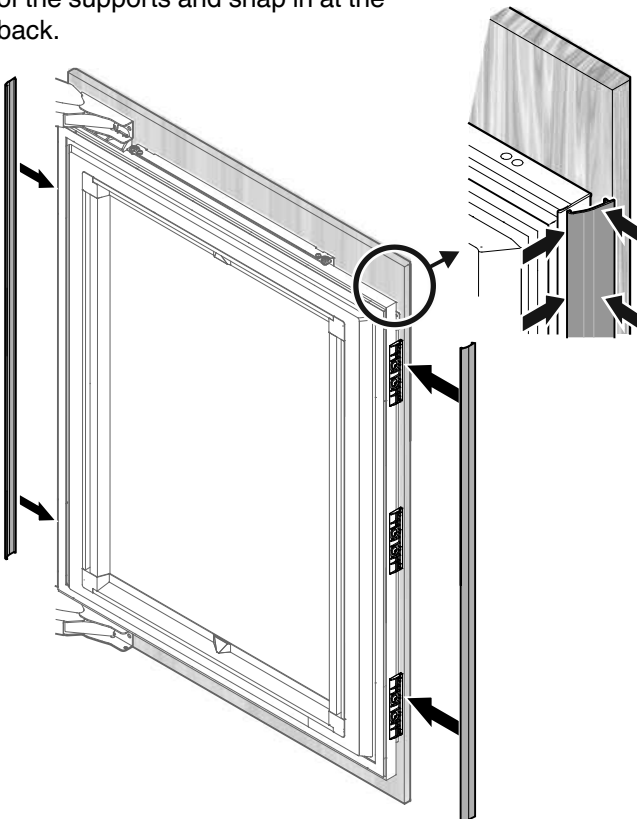


Tx™ 20



Click cover into place.

Hook the door cover strips at the front of the supports and snap in at the back.



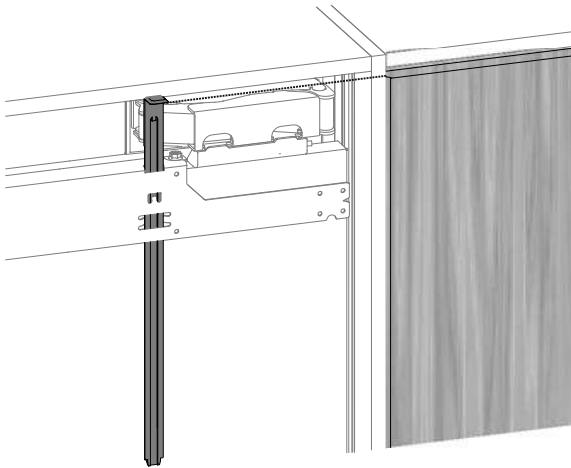
INSTALLATION

Installing the Refrigerator Panel (MCB 36.2)

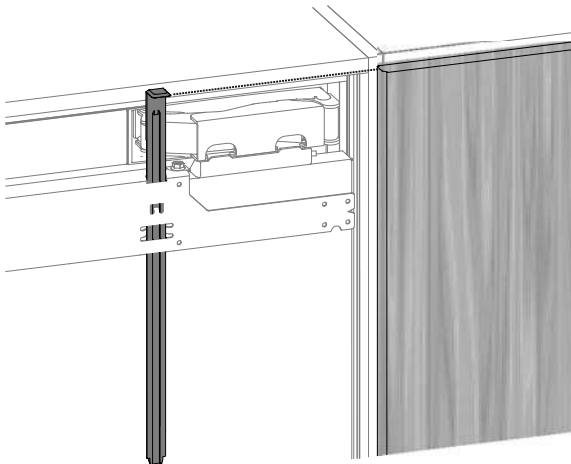
This description only relates to one panel. The procedure is the same for both panels (the illustration shows the right-hand door).

Push the mounting strip upwards.
The bottom edge of the mounting strip must be aligned with the top edge of the adjacent cabinet door.

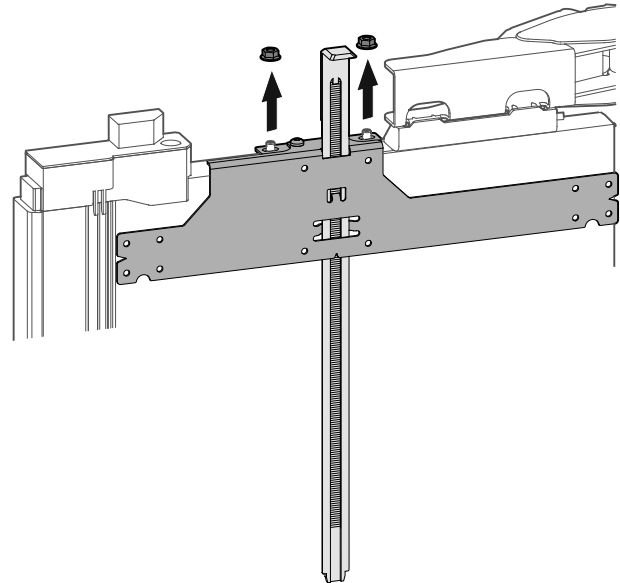
Inset installation style



Frameless installation style



Open the door.
Unscrew the attachment bracket with the mounting strip.

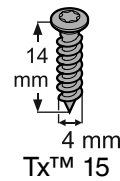
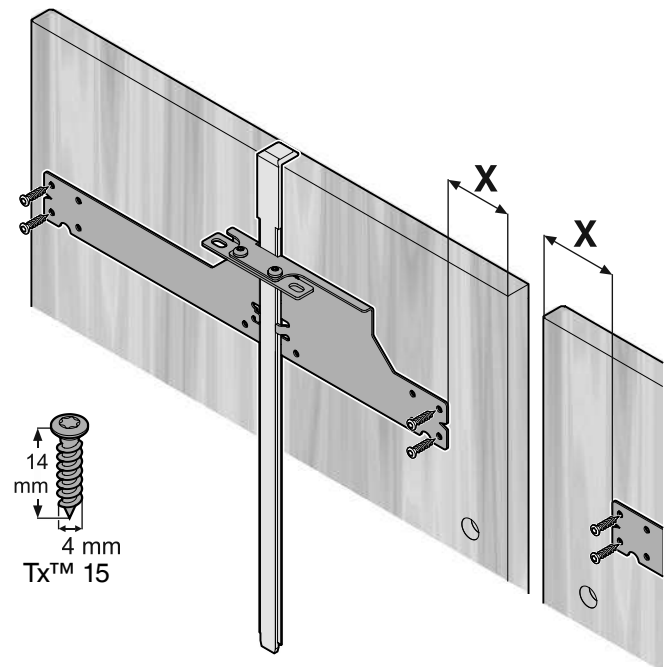


IMPORTANT

When removing, ensure that the mounting strip does not move.

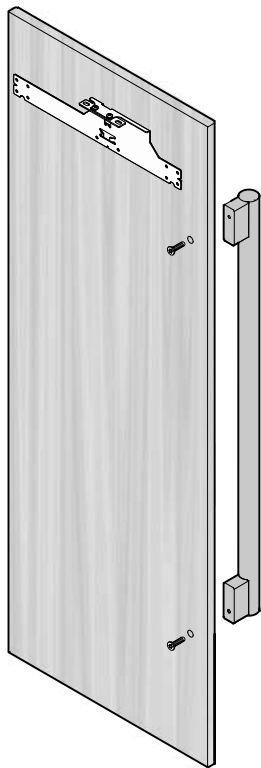
Position the attachment bracket, align it horizontally and secure it to the door panel with four 4 x 14 screws.

X = 2 3/8" (60.2 mm)



IMPORTANT

Risk of damaging the panel.
Do not undershoot the minimum panel thickness (shaker style).



Only use countersunk screws for handle mounting.

The holes should be countersunk.

The screw heads should be flush with the panel.

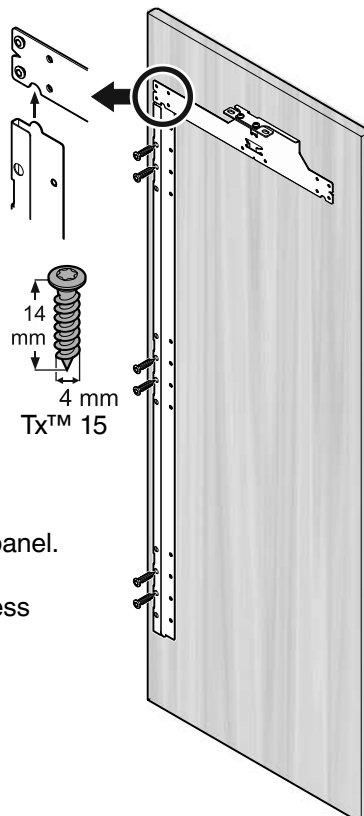
Complete the same procedure for the left-hand door.

Move the mounting strips from the refrigerator door to the freezer door.

IMPORTANT

If the door has to be limited to a 90° opening angle, it must be done before the panel is mounted onto the appliance door. See chapter „**Important Note for Changing over Door Hinges or Limiting the Hinges to a 90° Opening Angle**“.

Position the panel support strip with the top lug in the cut-out of the attachment bracket.
Align the panel support strip parallel to the side edge of the panel and screw into place with 4 x 14 screws.



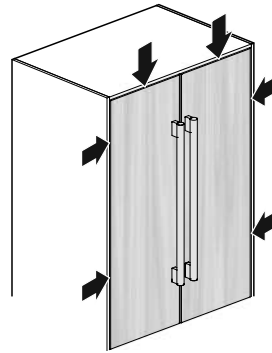
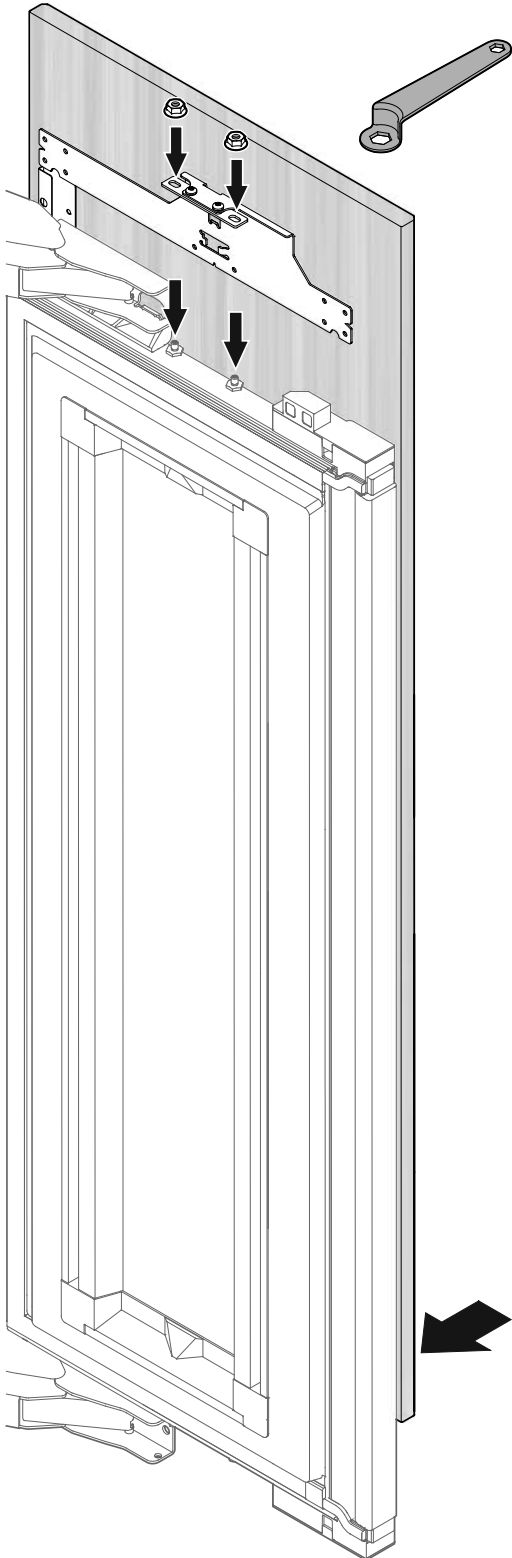
IMPORTANT

Risk of damaging the panel.
Do not undershoot the minimum panel thickness (shaker style).

INSTALLATION

The following steps must be carried out simultaneously for both doors.

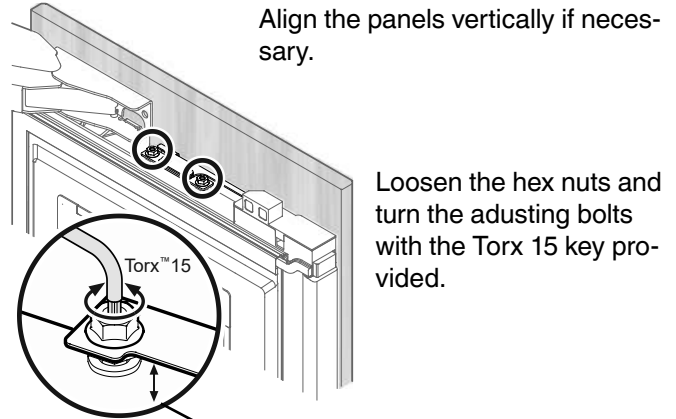
Open the appliance doors.
Place the door panels on the upper adjusting bolts and align them with each other.
Screw the hex nuts onto the adjusting bolts and tighten.



Close the doors and check the position of the door panels.

IMPORTANT

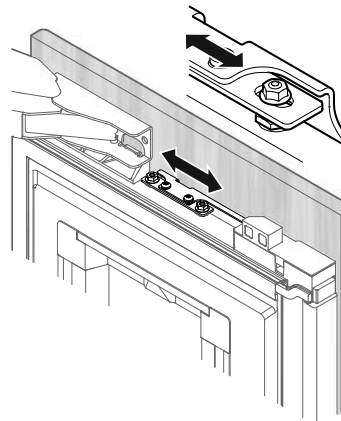
After a certain time and load, the doors may have to be adjusted again.



Align the panels vertically if necessary.

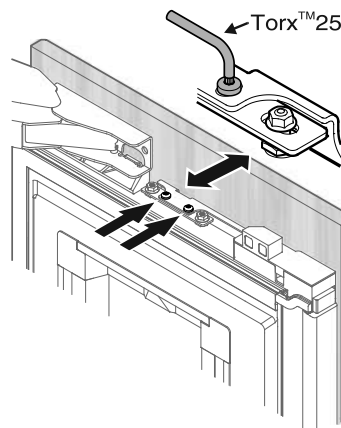
Loosen the hex nuts and turn the adjusting bolts with the Torx 15 key provided.

Maximum adjustment: 5/8" (15 mm)



Align the panels horizontally using the long holes in the attachment bracket.

Tighten the hex nuts.

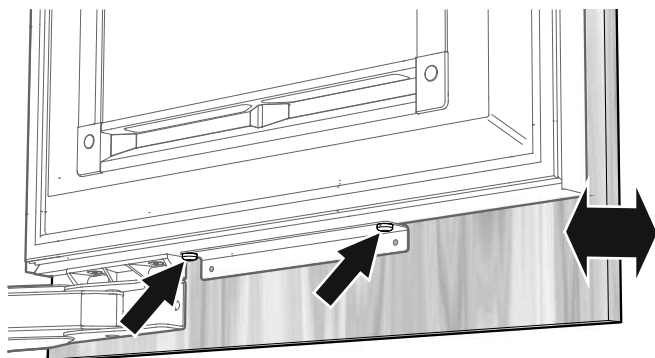


Align the depth of the panels.

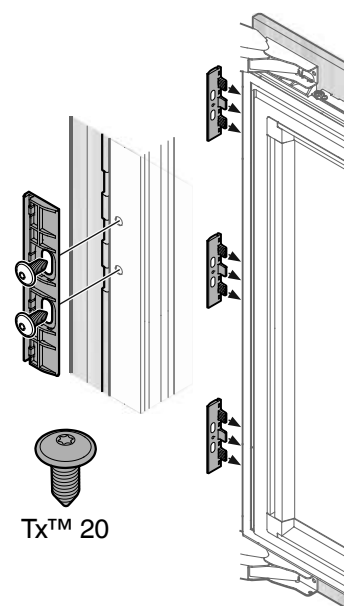
Loosen the screws, align the panel and tighten the screws.

Align the panel in its depth at the bottom.

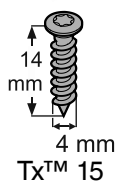
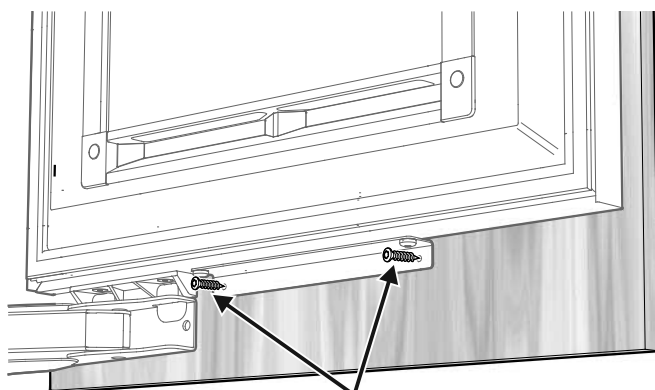
Loosen the screws, align the panel and tighten the screws. Use the Torx 20 key provided.



Insert the panel supports into the support strips between panel and appliance door and screw into place with two screws M6 x 12 each.

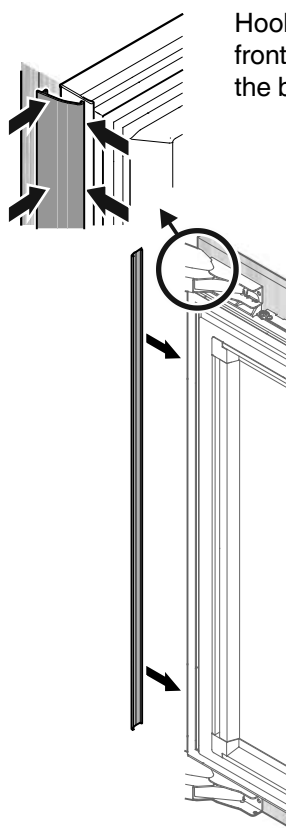


Fasten the panel through the bottom attachment bracket with two screws 4 x 14.



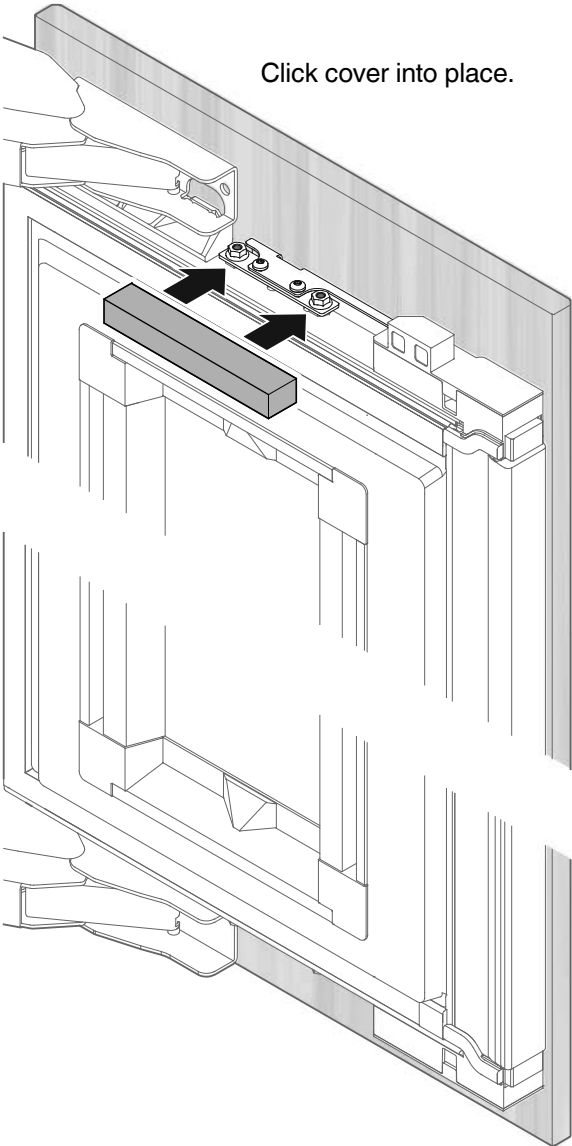
IMPORTANT

Risk of damaging the panel.
Do not undershoot the minimum panel thickness (shaker style).



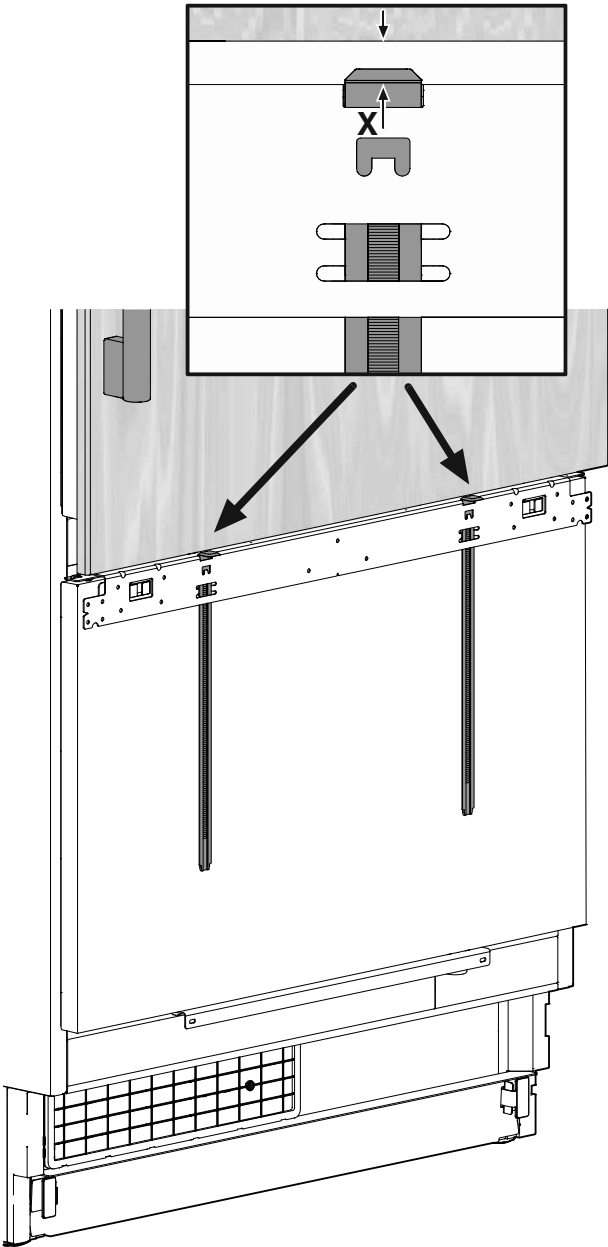
Hook the door cover strips at the front of the supports and snap in at the back.

INSTALLATION



Installing the Freezer Panel

Set the required gap X (we recommend at least 1/8" (3mm)).



IMPORTANT

Now install the door handles as the attachment bracket will cover the mounting holes.



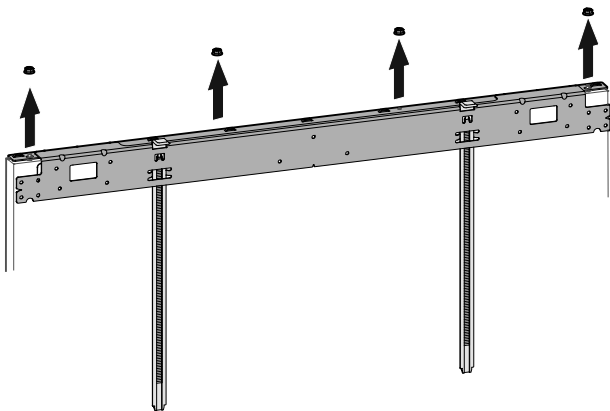
Only use countersunk screws for handle mounting.

The holes should be countersunk.

The screw heads should be flush with the panel.

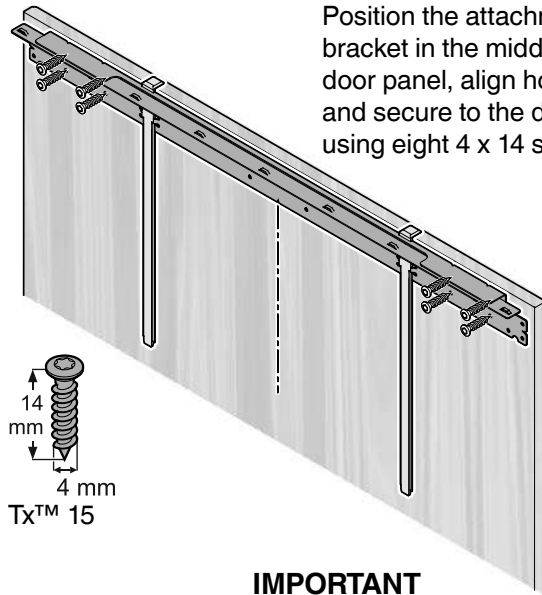
Open the appliance door.

Unscrew the attachment bracket with the mounting strip.



IMPORTANT

As you remove them, ensure that the mounting strips do not move.



Position the attachment bracket in the middle of the door panel, align horizontally and secure to the door panel using eight 4 x 14 screws.

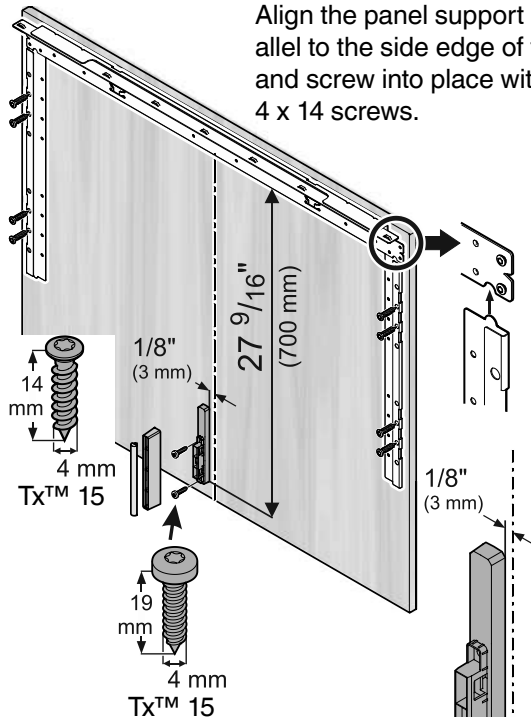
IMPORTANT

Risk of damaging the panel.

Do not undershoot the minimum panel thickness (shaker style).

Position the panel support strips with the top lug in the cut of the top attachment bracket.

Align the panel support strips parallel to the side edge of the panel and screw into place with eight 4 x 14 screws.



Mount the base of the ventilation duct divider with two screws 4 x 19.

Click on the cover.

IMPORTANT

Risk of damaging the panel.

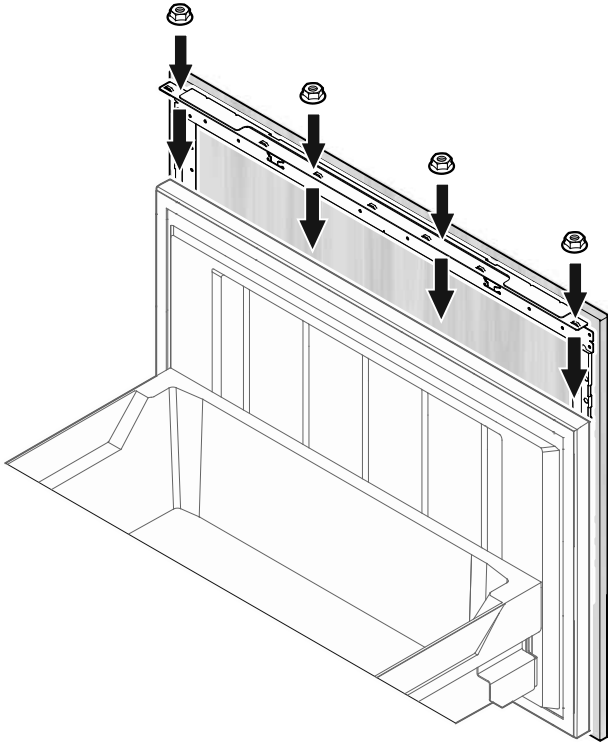
Do not undershoot the minimum panel thickness (shaker style).

INSTALLATION

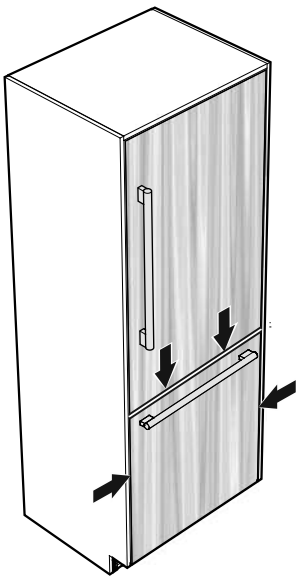
Open the appliance door.

Place the door panel on the top adjusting bolts and align in the centre.

Screw the hex nuts onto the adjusting bolts and tighten.



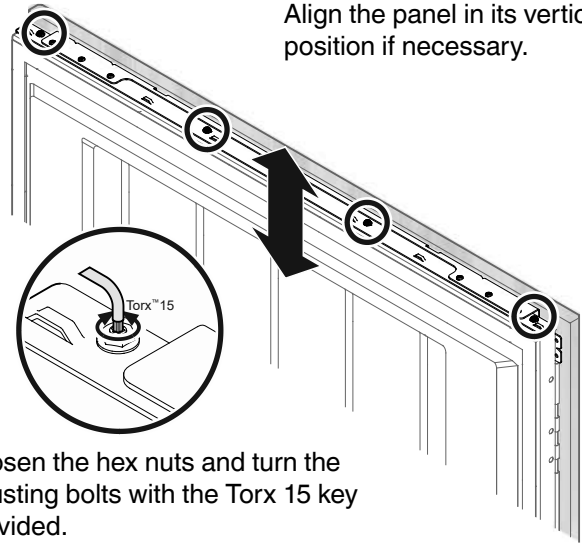
Close the door and check the position of the panel.



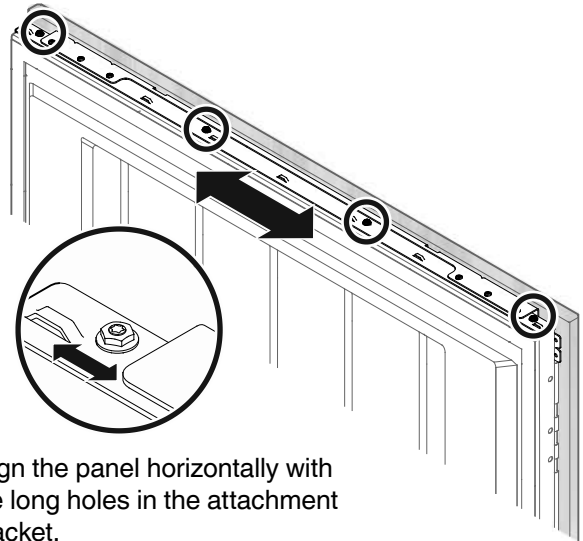
IMPORTANT

After a certain time and loading, it may be necessary to readjust the door again.

Align the panel in its vertical position if necessary.

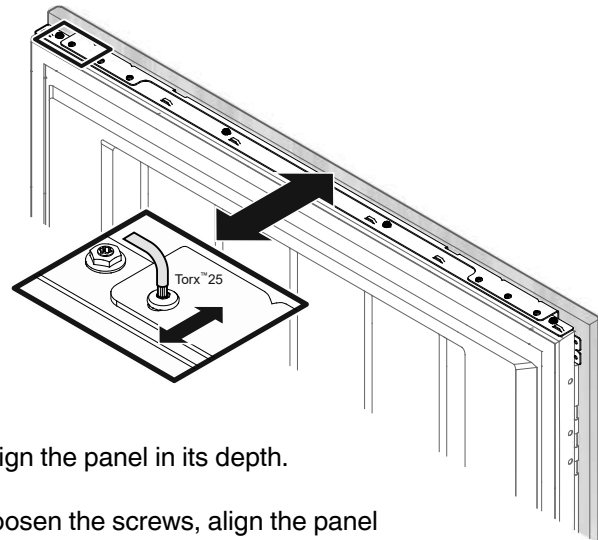


Loosen the hex nuts and turn the adjusting bolts with the Torx 15 key provided.



Align the panel horizontally with the long holes in the attachment bracket.

Tighten the hex nuts.

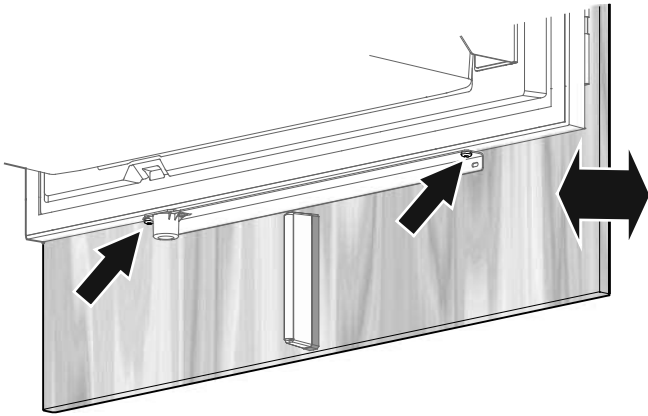


Align the panel in its depth.

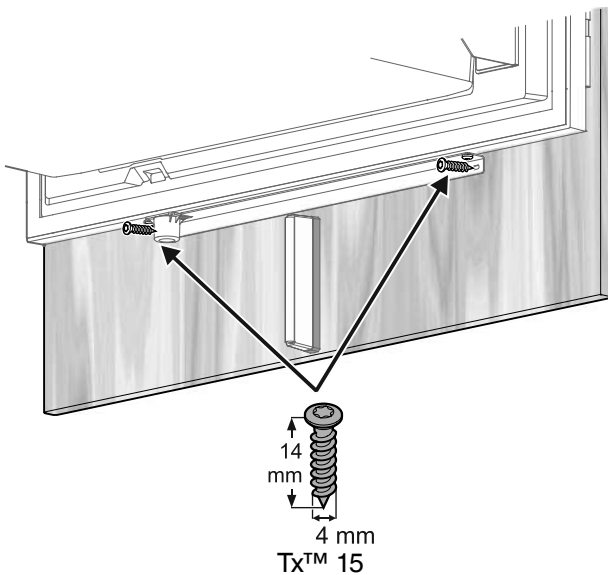
Loosen the screws, align the panel and tighten the screws.

Align the panel in its depth at the bottom.

Loosen the screws, align the panel and tighten the screws. Use the Torx 20 key provided.



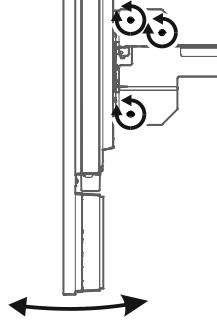
Fasten the panel through the bottom attachment bracket with two screws 4 x 14.



IMPORTANT

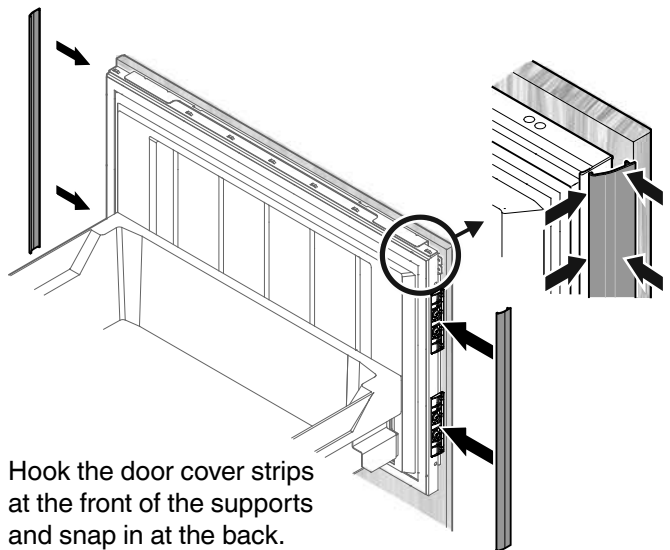
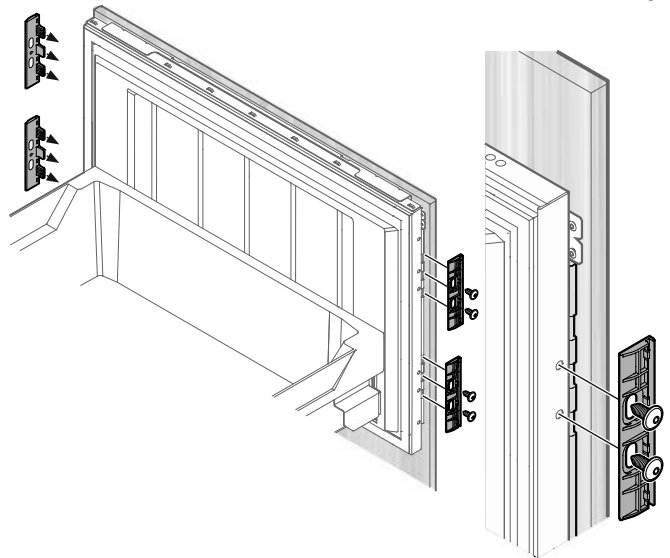
Risk of damaging the panel.
Do not undershoot the minimum panel thickness (shaker style).

If required, the front of the freezer drawers can be adjusted.
Tighten the screws in the front of the drawer once it is in the right position.
X = max. 5/8" (15mm)



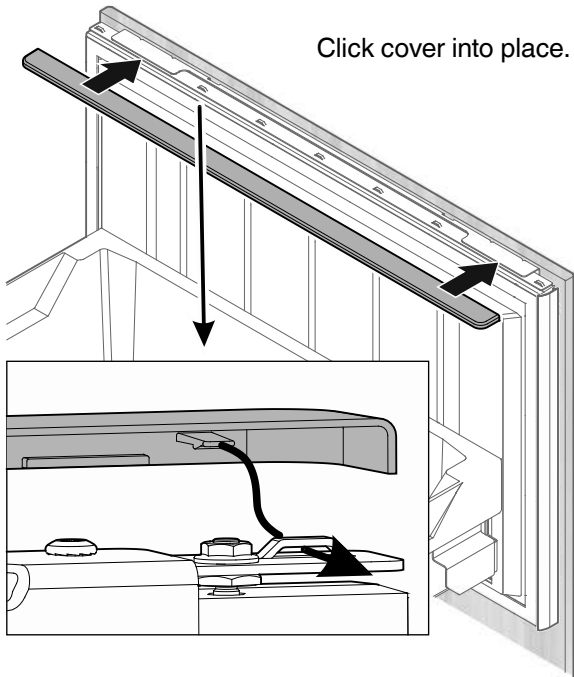
Side view of the freezer drawer pulled out

Insert the panel supports into the support strips between panel and appliance door and screw into place with two screws M6 x 12 each.

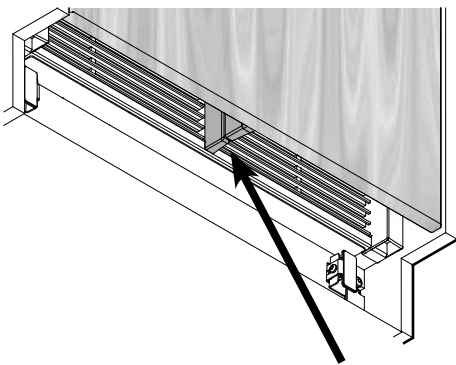
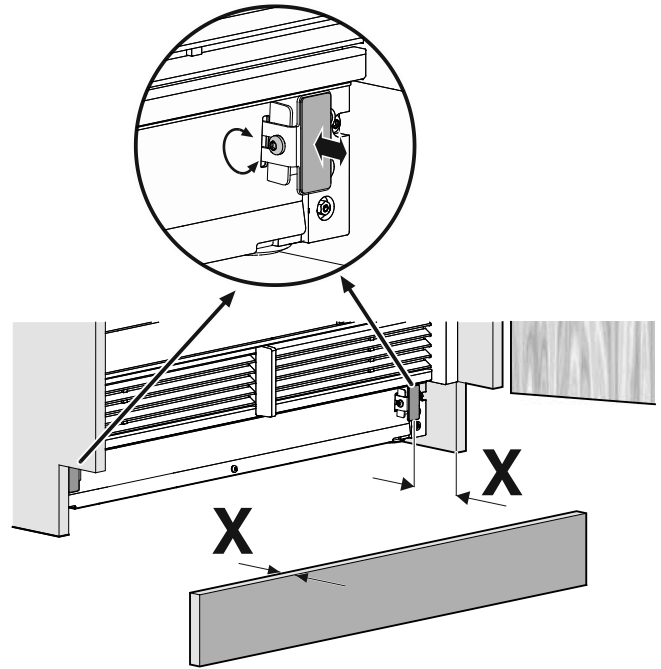


Hook the door cover strips at the front of the supports and snap in at the back.

INSTALLATION



Adjust the brackets to the thickness of the toe kick panel.

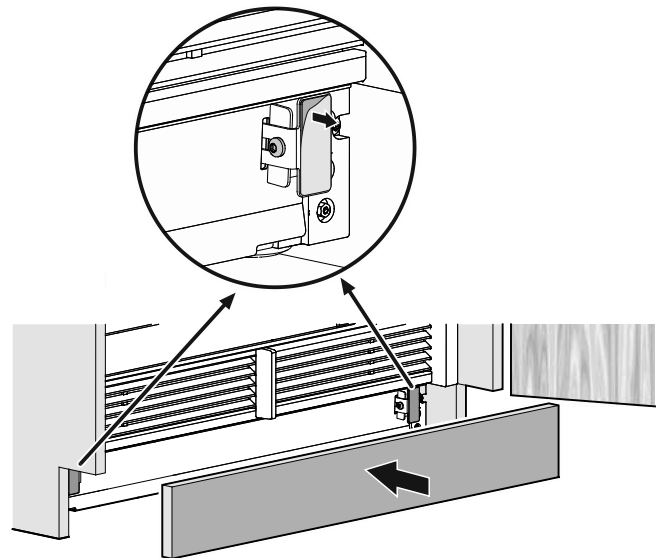


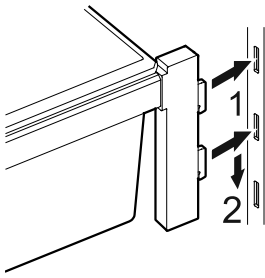
Check that there is no gap between the appliance air divider and the door air divider.

IMPORTANT

There will be a gap if the ventilation grille is fitted incorrectly.

Remove the backing foil and affix the toe kick panel.





Insert the door racks.

The gallon rack must be in the lowest possible position of the clip-in strip.

Insert the hooks of the rack into the openings of the clip-in strip at the desired height and push down.

IMPORTANT

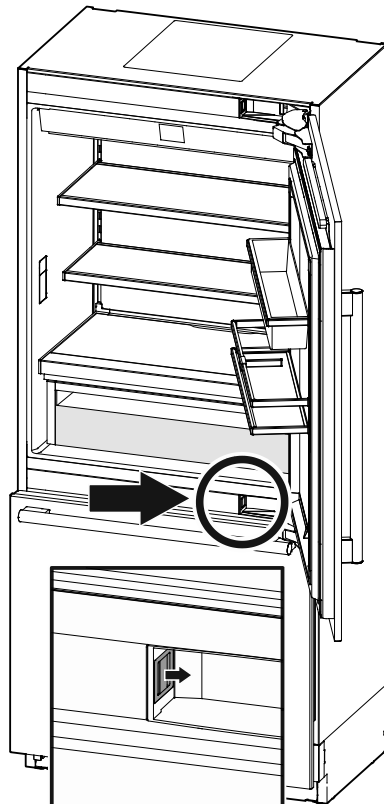
Be sure each door rack is fixed properly in the clip-in strip.

Open the shut-off valve for the water supply and check the entire water system for leaks.

SmartDeviceBox (Not Supplied in All Countries)

Download the "SmartDevice App" to your smartphone.

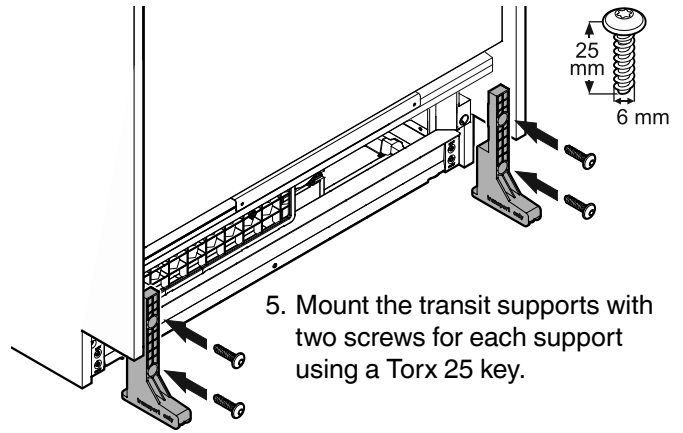
Start the app on your smartphone and follow the instructions.



Please note in case of removing appliance from the recess

If the appliance has to be removed from the recess again, please make sure you take account of the following.

1. Unload the appliance.
2. Disconnect the appliance from the power source.
3. Remove the door panels.
4. Lower the appliance using the height adjustment unit.



5. Mount the transit supports with two screws for each support using a Torx 25 key.

! DANGER!

Risk of death or serious injury due to appliance tipping.

Do not remove the appliance without the mounted transit supports.

Important Note for Changing over Door Hinges or Limiting the Hinges to a 90° Opening Angle

Changing the door hinges or limiting the hinges to a 90° opening angle should only be carried out by a trained expert.

The door hinges are fitted with strong closing springs. If the hinge accidentally snaps shut, this can lead to serious injury.

The door itself is very heavy. Do not try to dismantle the door yourself.

Contact the Liebherr service for more information. See contact details on the back of this manual.

For Service in the U.S.

Liebherr Service Center

Toll Free: **1-866-LIEBHER** or **1-866-543-2437**

Email: Service-appliances.us@liebherr.com

PlusOne Solutions, Inc.

3501 Quadrangle Blvd, Suite 120

Orlando, FL 32817

For Service in Canada

Liebherr Service Center

Toll Free: **1-888-LIEBHER** or **1-888-543-2437**

www.euro-parts.ca

EURO-PARTS CANADA

39822 Belgrave Road

Belgrave, Ontario, N0G 1E0

Phone: (519) 357-3320

Fax: (519) 357-1326



www.liebherr-appliances.com