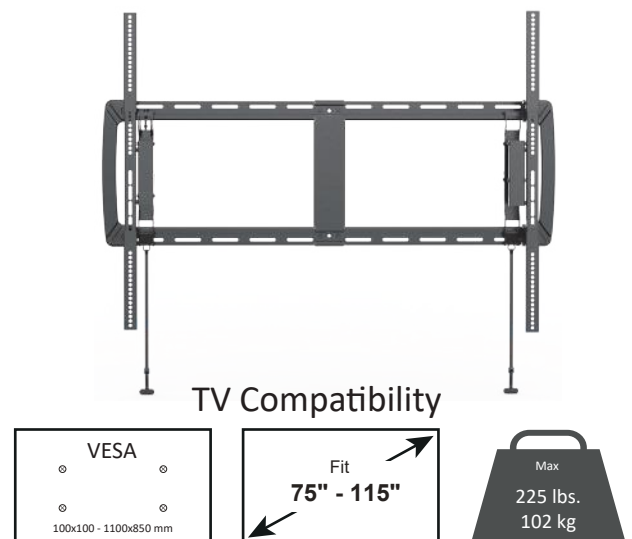




This modern ultra-large TV wall mount designed to accommodate TVs ranging from 75" to 115" with a robust weight capacity of up to 225 lbs. Its flexible VESA compatibility (100x100mm to 1100x850mm) ensures a perfect fit for a wide range of television models. This innovative wall mount features a modular panel design, allowing you to mount up to two TVs simultaneously when combining panels. With +/- 0.5" post-installation leveling adjustment. The mount also supports horizontal shift 7.5" (VESA: 600x400) , so you can customize the positioning to suit your needs. Enjoy effortless installation and removal with its quick-lock mechanism, saving you time and hassle. The open wall plate design accommodates power outlets and low-voltage pass-through for clean cable management. Achieve your desired viewing angle with the mount's adjustable depth, ranging from 1.8" to 5.2" from the wall.

## Features

- Fits TVs from 75" to 115" with VESA compatibility 100x100mm to 1100x850mm
- Supports up to 225 lbs for secure installation
- Post-install leveling adjustment +/- 0.5"
- Horizontal shift 7.5" (VESA: 600x400) for precise positioning
- Quick-lock structure for fast installation and removal
- Open panel design accommodates power outlets and low-voltage pass-through
- Adjustable depth: 1.8"–5.2" from the wall

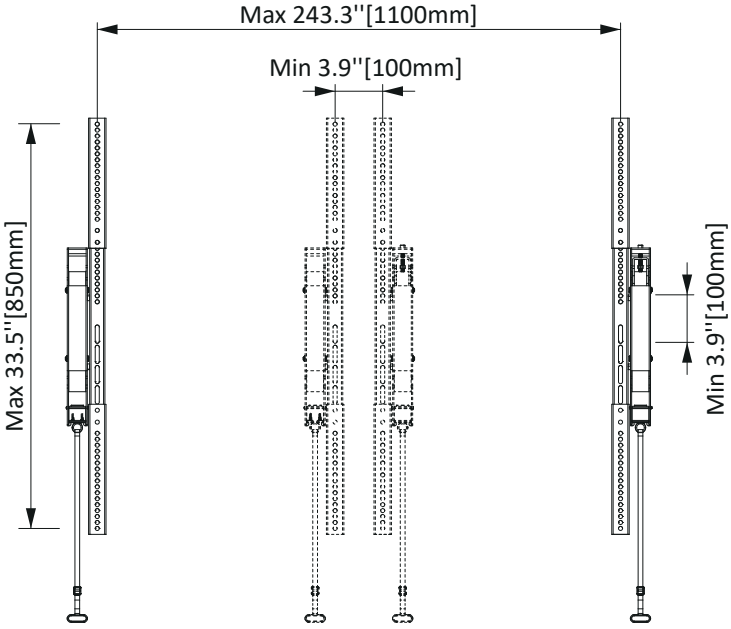


Model Number ERMLX1-01B WARRANTY: 5-Year

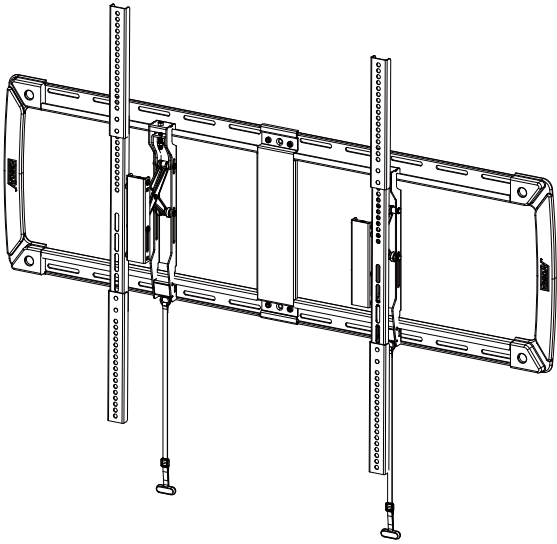
Product Specifications	DIMENSIONS (W x H x D)	PRODUCT WEIGHT	LOAD CAPACITY	FINISH	AVAILABLE COLORS
	49.8" x 34.4" x 5.2"	20.5 lbs.	225 lbs.	Powder Coating	Black
1265mm x 875mm x 132mm	9.3 KG	102 KG			

Package Specifications	PACKAGE SIZE (W x H x D)	PACKAGE WEIGHT	PACKAGE CONTENTS	UNITS IN PACKAGE
	28" x 15.9" x 1.8"	23.2 lbs.	Product, Manual, Mounting Template, Parts	1 Unit
712mm x 404mm x 47mm	10.5 KG			

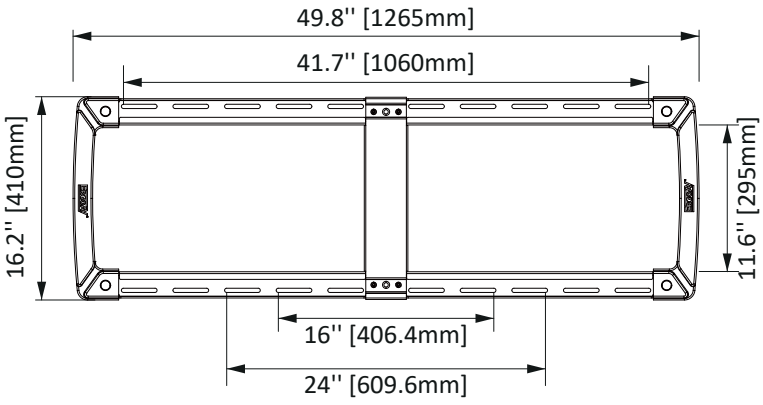
### Product Dimensions



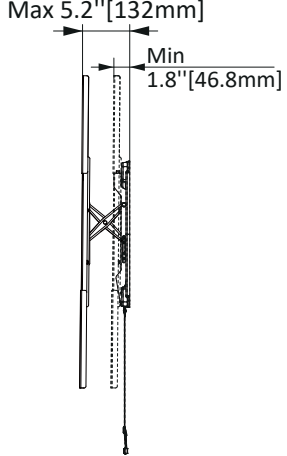
TV INTERFACE



3D VIEW



WALL PLATE



SIDE VIEW