


DV90F53AE

SAMSUNG

7.6 cu. ft. Ultra Capacity Bespoke AI Front Load Electric Dryer with AI Home and AI OptiDry+



Available Colors

 **Dark Steel**
DV90F53AES

 **Ivory**
DV90F53AEY

Features

- AI Home 7" LCD Display
- AI OptiDry+
- Super Speed Dry
- Steam Sanitize+
- ENERGY STAR® Certified
- MultiControl™
- Wi-Fi Connectivity with SmartThings*
- Sensor Dry
- 7.6 cu. ft. Ultra Capacity
- Vent Sensor
- Lint Filter Alert
- Stainless Steel Drum
- Interior Lighting
- Reversible Dryer Door
- Drying Rack
- 20 Preset Drying Cycles
- 25 Options
- 5 Temperature Settings
- 4-Way Venting (Back, Bottom, Left, Right)

Convenience

- Child Lock
- Lint Filter Indicator

Ratings



ENERGY STAR® Rated:
608 kWh/yr

Specifications

20 Preset Drying Cycles:

Steam Refresh, Wrinkle Away, Steam Sanitize+, AI OptiDry+, Super Speed, Eco Normal, Normal, Heavy Duty, Towels, Perm Press, Activewear, Bedding, Delicates, Wool, Shirts, Denim, Time Dry, Air Fluff, Rack Dry, Custom Cycles

25 Options:

Damp Alert, Wrinkle Prevent, AntiStatic, My Cycles, Eco Dry, Smart Control, Samsung Accounts, Connections, Lock, Sounds, Home Device Notifications, Display, Display and Style, Bixby, Microphone, Language, Date and Time, Accessibility, Software Update, Support, Reset, About Device, Drum Light, AI Pattern, Vent Blockage Test

Electric Dryer	Model #	UPC Code
Dark Steel	DV90F53AES	198957074172
Ivory	DV90F53AEY	198957074196

Gas Dryer

Dark Steel	DV90F53AGS	198957074202
Ivory	DV90F53AGY	198957074219

Matching Washer

Dark Steel	WF90F53ADS	198957070556
Ivory	WF90F53ADY	198957070563

5 Temperature Settings:

High, Medium, Medium Low, Low, Extra Low

5 Dry Levels:

Very Dry, More Dry, Normal Dry, Less Dry, Damp Dry

Warranty

One (1) Year Parts and Labor

Product Dimensions & Weight (WxHxD)

Dimensions: 27" x 38³/₄" x 31⁷/₁₆"
Weight: 121.3 lbs

Shipping Dimensions & Weight (WxHxD)

Dimensions: 29³/₈" x 42¹⁵/₁₆" x 34¹¹/₁₆"
Weight: 130.1 lbs

Optional Accessories	Model #	UPC Code
Dark Steel Pedestal	WE602NS	198957211775
Ivory Pedestal	WE602NY	198957211782
Stacking and MultiControl™ Combo Kit	SKK-RWG	198957083808
Vent Kit	DV-2A	887276146416

Electrical Requirements

240 V / 60 Hz
30 Amps

*Requires wireless network, Samsung account and SmartThings App. The Samsung SmartThings App supports Android OS 4.0 (ICS) or later, which is optimized for Samsung smartphones (Galaxy S and Galaxy Note series). This app also supports iOS 7 or later for iPhone models. SmartThings App available in App Store and Play Store. Only monitoring enabled on Gas Dryers for safety reasons.

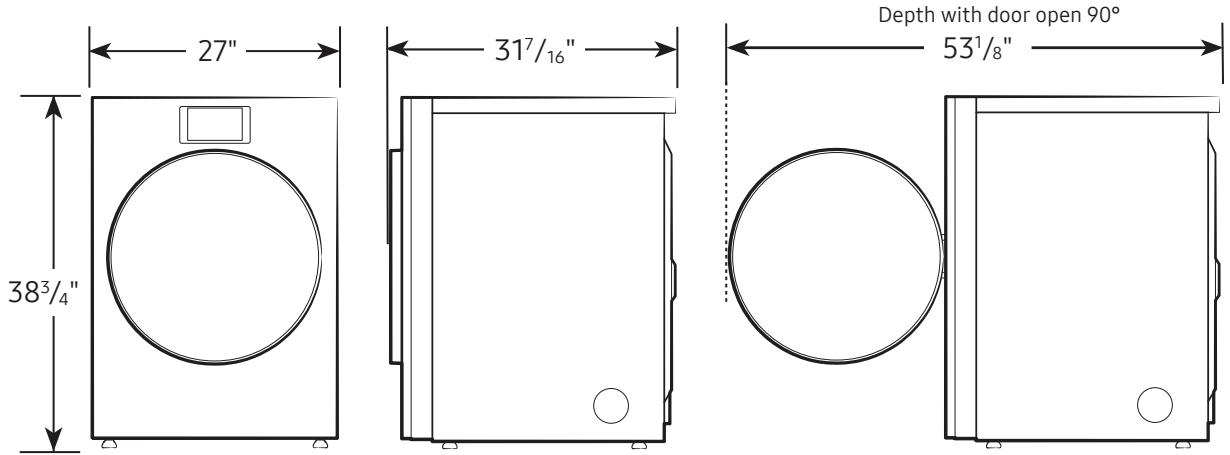
DV90F53AE

SAMSUNG

7.6 cu. ft. Ultra Capacity Bespoke AI Front Load Electric Dryer with AI Home and AI OptiDry+

Dimensions

Required dimensions for installation with pedestal:

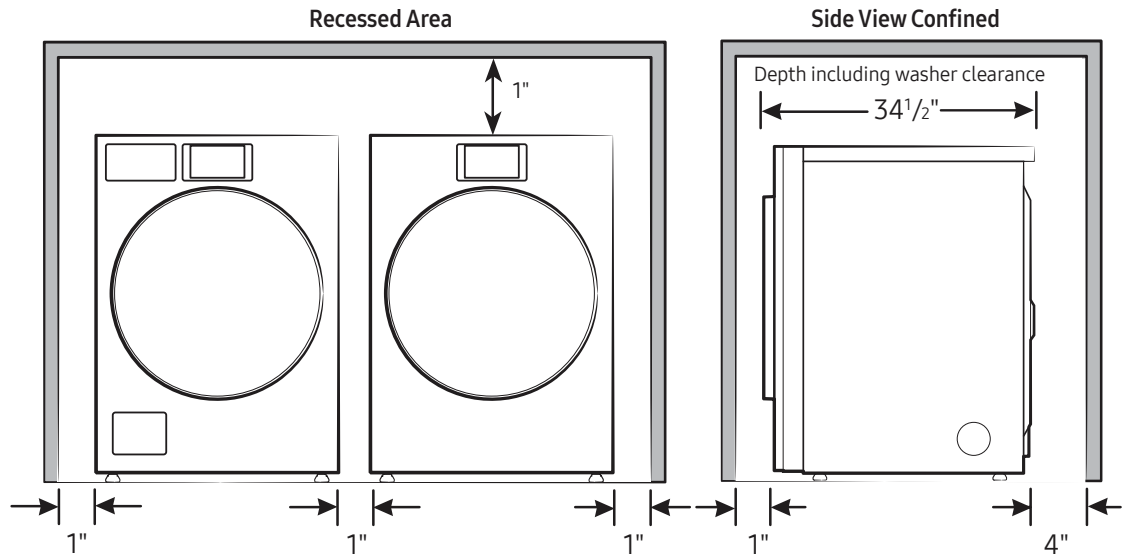


Installation Specifications – Side-by-Side

If the washer and dryer are installed together or the dryer alone, the closet front must have two unobstructed air openings for a combined minimum total area of 72-inch². Your washer alone does not require a specific air opening.

Alcove or closet installation

Minimum clearance for closet and alcove installations:



Connection Dimensions

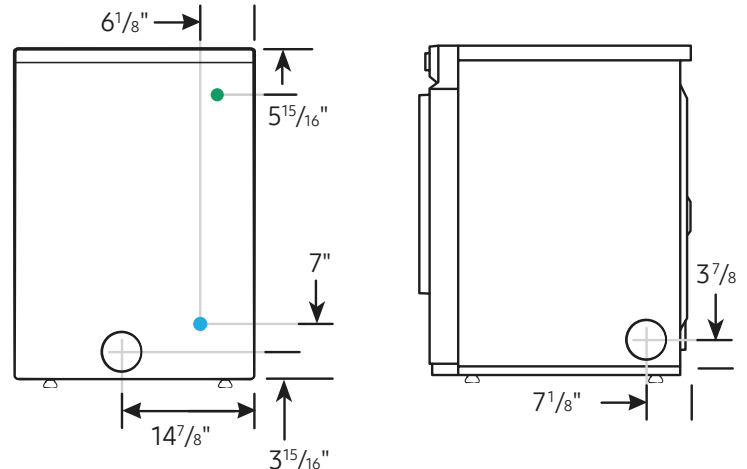
Back and side view of dryer

LEGEND:

- Cold Water Connection
- Power Cord
- Vent

Actual color may vary. Design, specifications, and color availability are subject to change without notice. Non-metric weights and measurements are approximate.

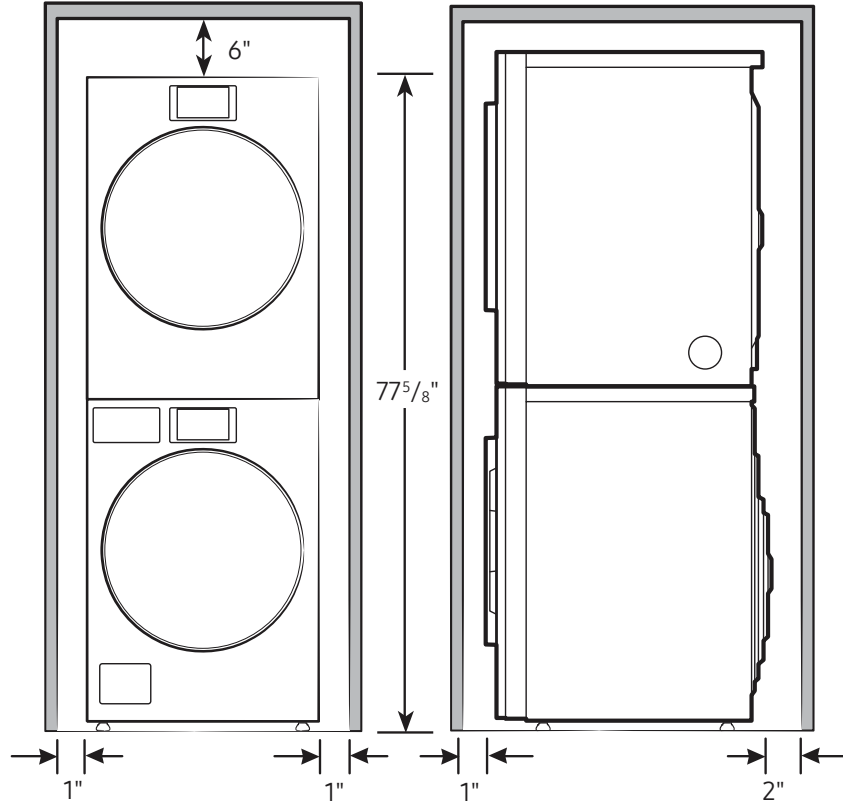
©2025 Samsung Electronics America, Inc., 85 Challenger Road, Ridgefield Park, NJ 07660. Tel: 800-SAMSUNG.samsung.com. Samsung is a registered trademark of Samsung Electronics Co., Ltd.



7.6 cu. ft. Ultra Capacity Bespoke AI Front Load Electric Dryer
with AI Home and AI OptiDry+

Installation Specifications – Stacked Pair

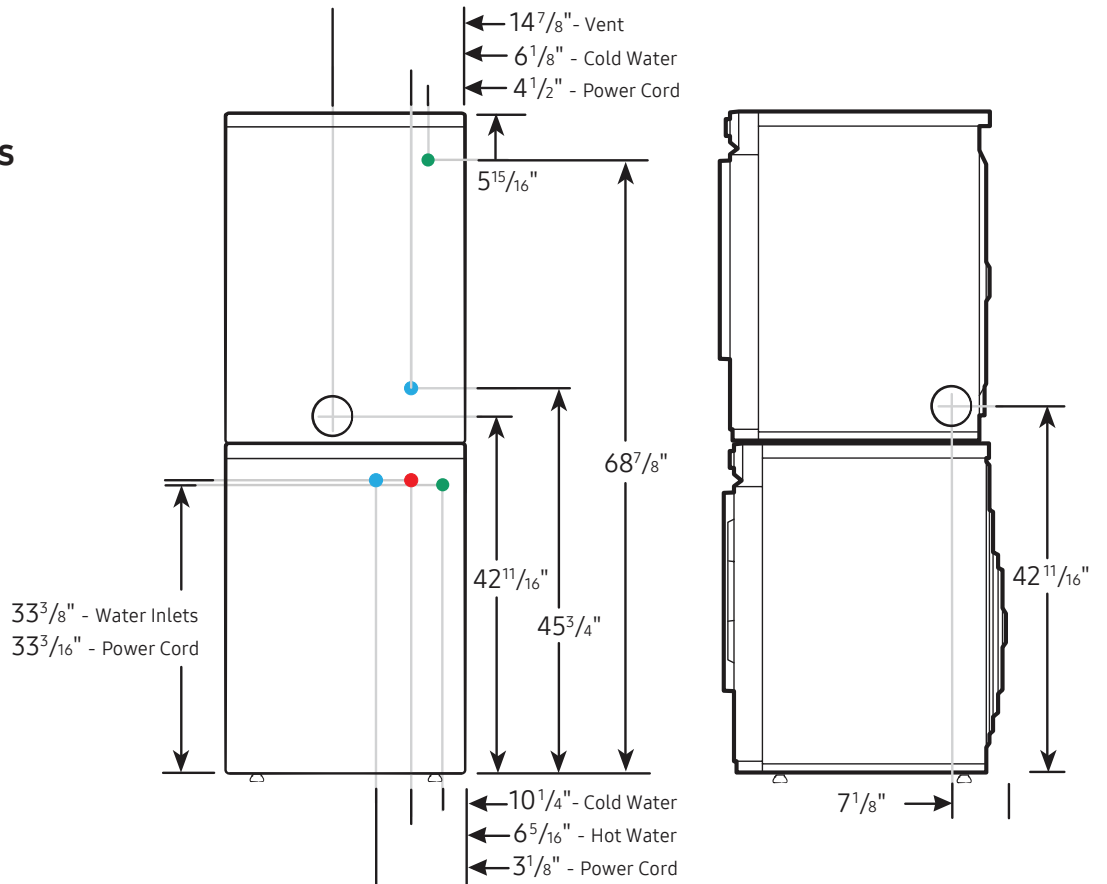
Clearances indicated are for stacked pairs. The closet front must have two unobstructed air openings for a combined minimum total area of 72-inch².



Connection Dimensions

Back and side views of stacked pair

- LEGEND:**
- Cold Water Connection
 - Hot Water Connection
 - Power Cord
 - Vent



Actual color may vary. Design, specifications, and color availability are subject to change without notice. Non-metric weights and measurements are approximate.