



AA413723

AA413111:
Active charcoal filter for AR413122

Recirculation module

AA413723

- For air recirculation.
- For use with remote fan unit 400 series AR 413 722.
- Odour reduction comparable to air extraction mode.
- Extended change interval for the activated charcoal filter (approx. 1-1.5 years depending on cooking frequency).
- For installation in the plinth.
- For air recirculation.

For use with remote fan unit 400 series AR 413 722.

Odour reduction comparable to air extraction mode.

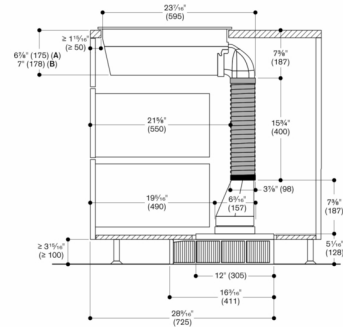
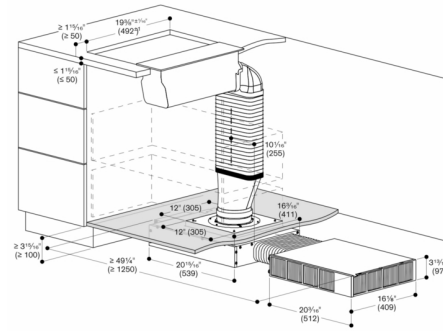
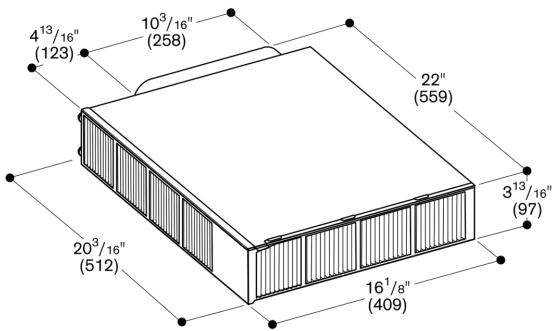
Extended change interval for the activated charcoal filter (approx. 1-1.5 years depending on cooking frequency).

For installation in the plinth.

Consisting of filter housing and 2 activated charcoal filter.

It must be possible to remove the plinth to replace the filter.

Recommended minimum gap between filter openings and cupboard wall if there is no ventilation grille directly in front: 15 cm.



A: Surface mounting
B: Flush mounting (only VL414)
 measurements in inches (mm)