



DISTINCT BY DESIGN™

Installation Instructions

Professional Rangetop

CGU366, CGU486

Contents

Safety Information 2

Design Information

Product Dimensions and Clearances 4

Installation Information

High Altitude Kit 7

Materials Provided 7

Materials Required (not provided) 7

Tools Required 7

Installation

Remove Packaging 8

Cut the Countertop Opening 9

Install Rangetop 10

Conversion to Propane (LP) Gas or Natural Gas 10

Gas Supply 11

Electrical Connections 12

Check Burners 12

Check Surface Burners 12

Finalize Installation 13

When All Hookups Are Completed 13

Questions? Visit cafeappliances.com.

English • Français • Español

Safety Information

Have a question or need assistance with your appliance? Try the Café website 24 hours a day, any day of the year! You can also shop for more great Café products and take advantage of all our on-line support services designed for your convenience. In the US: cafeappliances.com. (In Canada, cafeappliances.ca.)

IN THE COMMONWEALTH OF MASSACHUSETTS

- This product must be installed by a licensed plumber or gas fitter.
- When using ball type gas shut-off valves, they shall be the T-handle type.
- A flexible gas connector, when used, must not exceed 5 feet.

⚠ WARNING FIRE OR EXPLOSION HAZARD

If the information in this manual is not followed exactly, a fire or explosion may result causing property damage, personal injury or death.

Installation must be performed by a qualified installer.

Read these instructions completely and carefully.

Installation of this range must conform with local codes, or in the absence of local codes, with the National Fuel Gas Code, ANSI Z223.1/NFPA.54, latest edition. In Canada, installation must conform with the current Natural Gas Installation Code, CAN/CGA-B149.1 or the current Propane (LP) Installation Code, CAN/CGA-B149.2, and with local codes where applicable. This range has been design-certified by CSA International according to ANSI Z21.1, latest edition and Canadian Gas Association according to CAN/CGA-1.1 latest edition.

When installing a gas appliance the use of old flexible connectors can cause gas leaks and personal injury. Always use a NEW flexible connector.

Leak testing of the appliance shall be conducted according to the manufacturer instructions.

The range must be electrically grounded in accordance with local codes or, in the absence of local codes, in accordance with the National Electrical Code (ANSI/NFPA 70, latest edition). In Canada, electrical grounding must be in accordance with the current CSA C22.1 Canadian Electrical Code Part 1 and/or local codes. See Electrical Connections in this section.

Do not install this product with an air curtain hood or other range hood that operates by blowing air down on the cooktop. This airflow may interfere with operation of the gas burners resulting in fire or explosion hazard.

READ AND SAVE THESE INSTRUCTIONS

Safety Information

BEFORE YOU BEGIN

Read these instructions completely and carefully.

- **IMPORTANT** — Save these instructions for local inspector's use.
- **IMPORTANT** — Observe all governing codes and ordinances.
- **IMPORTANT** — Remove all packing material and literature from oven before connecting gas and electrical supply to range.
- **IMPORTANT** — To avoid damage to your cabinets, check with your builder or cabinet supplier to make sure that the materials used will not discolor, delaminate or sustain other damage. This oven has been designed in accordance with the requirements of UL and CSA International and complies with the maximum allowable wood cabinet temperatures of 194°F (90°C).
- **Note to Installer** — Be sure to leave these instructions with the consumer.
- **Note to Consumer** — Keep these instructions with your Owner's Manual for future reference.
- **Service** — The electrical diagram is in an envelope attached to the back of the range.
- Proper installation is the responsibility of the installer.
- Product failure due to improper installation is not covered under warranty.
- For Café Parts and Accessories, visit our website at cafeappliances.com. (In Canada, cafeappliances.ca.)
- If you received a damaged rangetops, you should contact your dealer.

IF SOLD OUTSIDE THE U.S. AND CANADA

▲ WARNING If you wish to use this product with Liquefied Petroleum (LP) gas containing greater than 10% butane, you must purchase the butane conversion kit #CXBUPR01. To order, please call 1.888.664.8403 or 1.787.276.4051. Failure to do so may result in carbon monoxide or fire hazard.

VENT HOOD COMBINATIONS

A suitable overhead vent hood is required for models with a grill and is recommended for all other models.

Due to the high heat capacity of this unit, particular attention should be paid to the hood and ductwork installation to assure it meets local building codes.

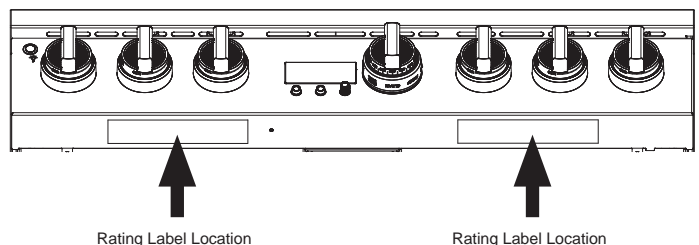
Clearances to horizontal surfaces above the range, measured to the cooking surface are below. Failure to comply may result in fire hazard.

- Installations without a hood require 48" minimum to combustibles.
- A custom hood installation with exposed horizontal combustibles surfaces must have an Auto-On feature.
- For other installations with a hood, refer to hood installation instructions for specific hood clearances.

▲ CAUTION These rangetops are extremely heavy. Some disassembly will reduce the weight considerably. Due to the weight and size of the rangetop and to reduce the risk of personal injury or damage to the product:

TWO PEOPLE ARE REQUIRED FOR PROPER INSTALLATION OF RANGETOPS.

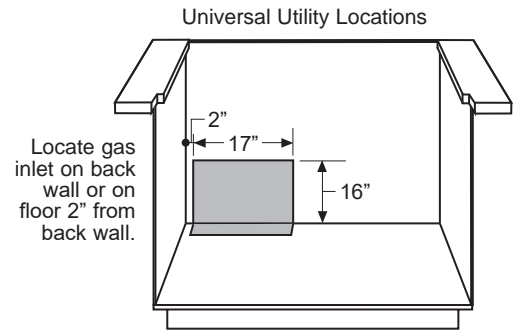
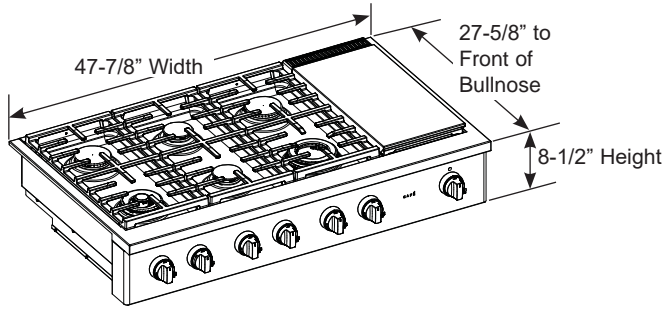
THREE PEOPLE ARE REQUIRED FOR PROPER INSTALLATION OF 48" RANGETOPS.



READ AND SAVE THESE INSTRUCTIONS

Design Information

PRODUCT DIMENSIONS AND CLEARANCES FOR 48" MODELS

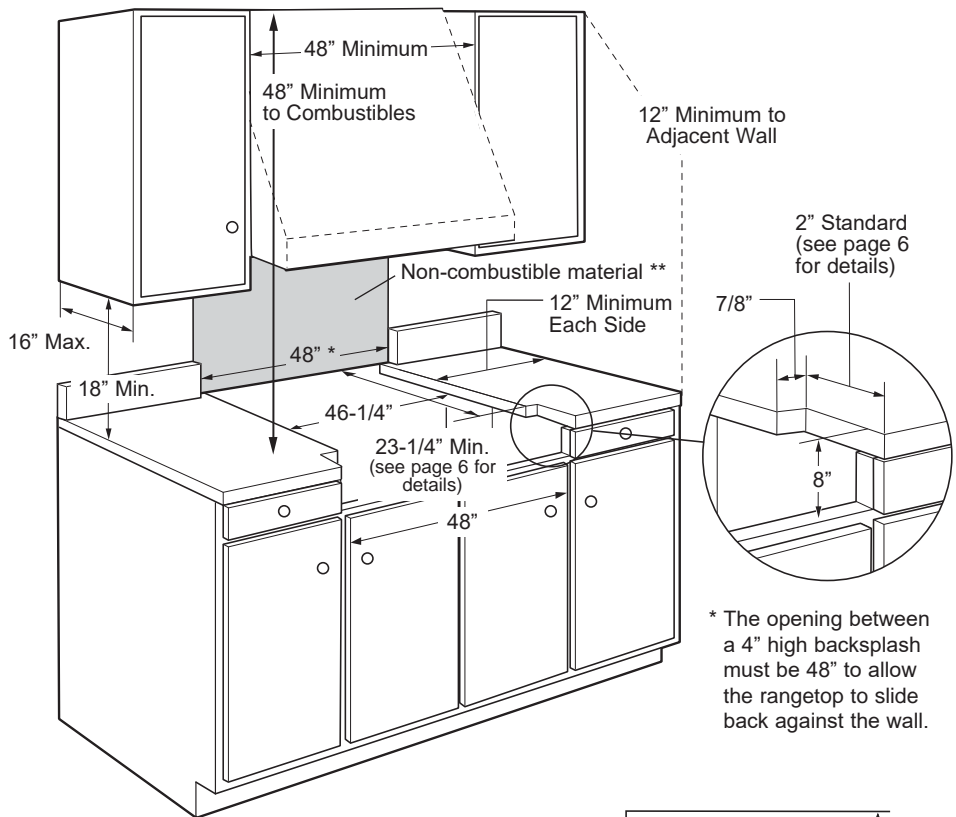


WARNING Installations without a hood require 48" minimum to combustibles. A custom hood installation with exposed horizontal combustible surfaces must have an Auto-On feature. Refer to hood installation instructions for specific hood clearances.

The surface of the entire back wall above the range and below the hood must be covered with a non-combustible material such as metal, ceramic tile, brick, marble or other stone.

CAUTION To prevent drafts from affecting burner operation, seal all openings in floor under appliance and behind appliance wall.

** As defined in the National Fuel Gas Code (ANSI Z223.1/CSA B149.1, Current Edition). Clearances from non-combustible materials are not part of the ANSI Z21.1/CSA 1.1 scope and are not certified by CSA. Clearances less than 12" must be approved by local codes and/or the authority having jurisdiction.

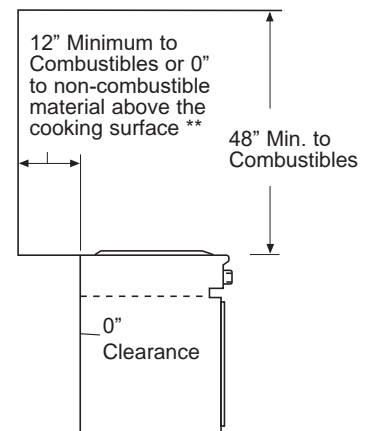
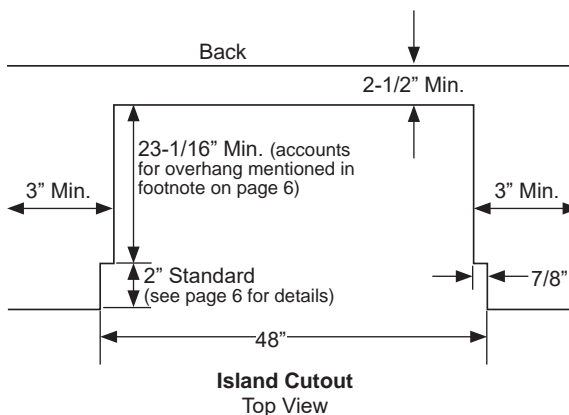


ADDITIONAL CLEARANCES:

Allow 12" minimum clearance to an adjacent wall on each side.

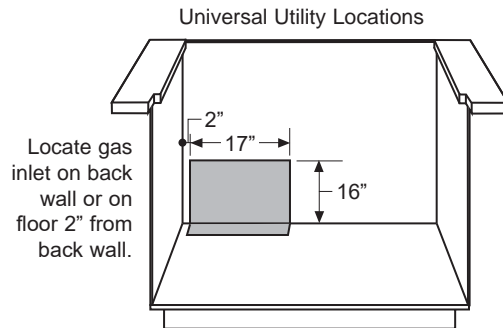
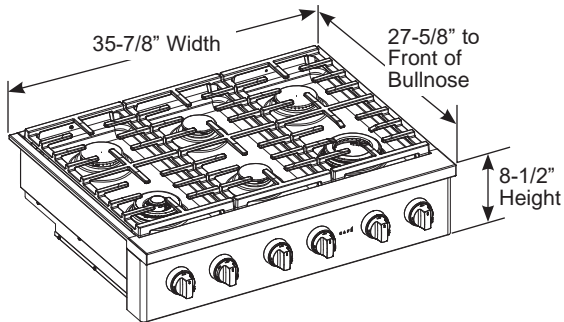
Working areas adjacent to the rangetop should have 18" minimum clearance between countertop and the bottom of the wall cabinet.

For island installation, maintain 2-1/2 in. minimum from cutout to back edge of countertop and 3 in. minimum from cutout to side edges of countertop (see top view).



Design Information

PRODUCT DIMENSIONS AND CLEARANCES FOR 36" MODELS



⚠ WARNING

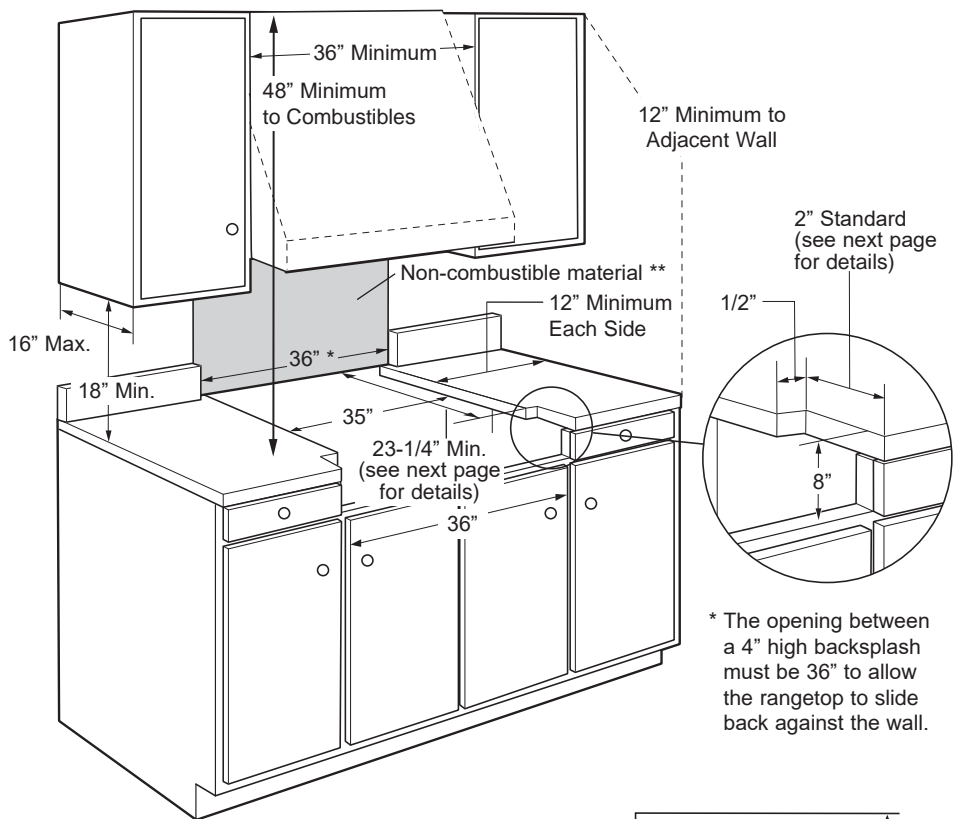
Installations without a hood require 48" minimum to combustibles. A custom hood installation with exposed horizontal combustible surfaces must have an Auto-On feature. Refer to hood installation instructions for specific hood clearances.

The surface of the entire back wall above the range and below the hood must be covered with a non-combustible material such as metal, ceramic tile, brick, marble or other stone.

⚠ CAUTION

To prevent drafts from affecting burner operation, seal all openings in floor under appliance and behind appliance wall.

** As defined in the National Fuel Gas Code (ANSI Z223.1/CSA B149.1, Current Edition). Clearances from non-combustible materials are not part of the ANSI Z21.1/CSA 1.1 scope and are not certified by CSA. Clearances less than 12" must be approved by local codes and/or the authority having jurisdiction.



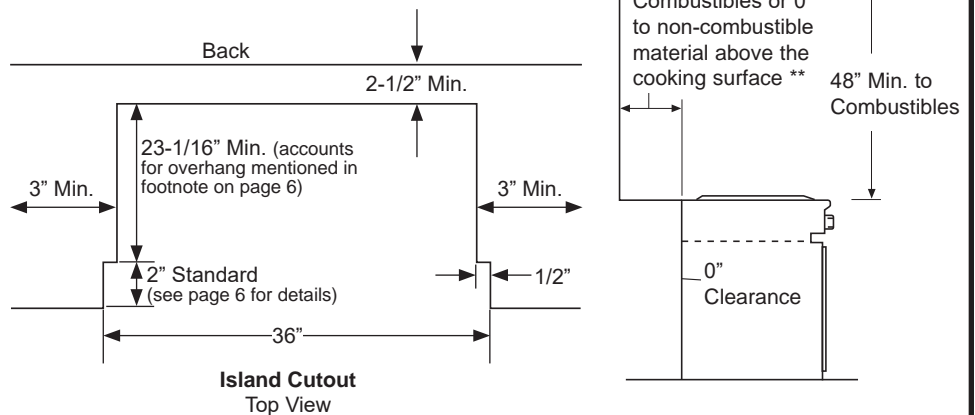
* The opening between a 4" high backsplash must be 36" to allow the rangetop to slide back against the wall.

ADDITIONAL CLEARANCES:

Allow 12" minimum clearance to an adjacent wall on each side.

Working areas adjacent to the rangetop should have 18" minimum clearance between countertop and the bottom of the wall cabinet.

For island installation, maintain 2-1/2 in. minimum from cutout to back edge of countertop and 3 in. minimum from cutout to side edges of countertop (see top view).

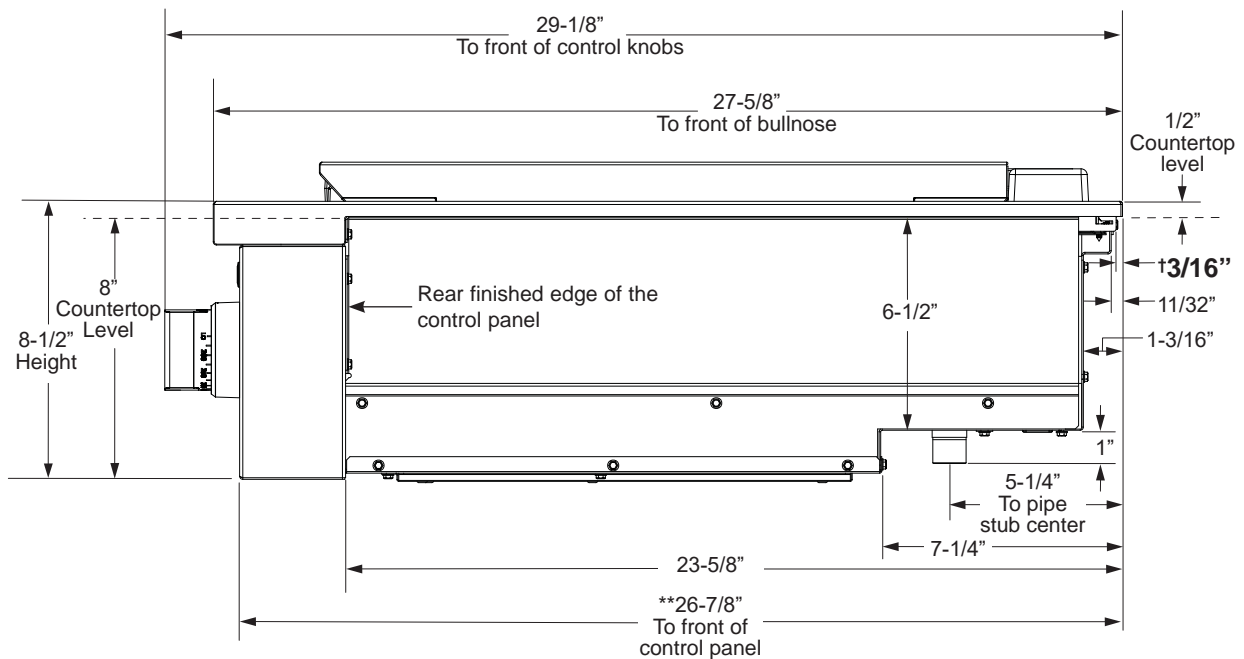
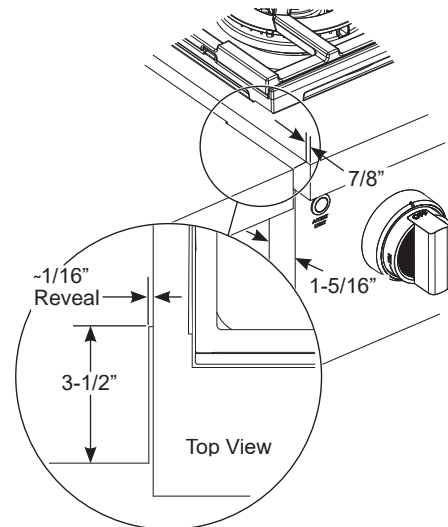
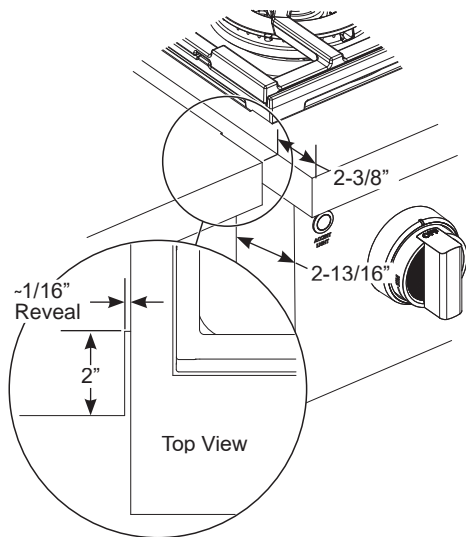


Design Information

PRODUCT DIMENSIONS AND CLEARANCES

48" and 36" Rangetop Models

The 2" Standard cutout referenced on the previous page will result with the control panel and bullnose projecting forward from a standard 24" depth cabinet and a countertop cutout depth of 25-1/4" (1-1/4" overhang) as shown in the left image below. This cutout dimension may change for the rangetop to be more recessed with a deeper countertop cutout depth as shown in the example picture on the right. All dimensions below are approximate dimensions.



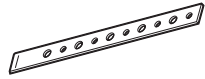
† Include the overhang of the rear trim when countertop continues behind the product.
The overhang is decorative only. The weight of the rangetop is fully supported by the side trims.

Installation Information

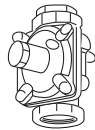
INSTALLATION AT HIGH ALTITUDE

Over 6000ft, product configured for natural gas or propane requires installation of kit (WB28X39728 for natural gas and WB28X39729 for propane gas). Follow the instructions included with the kit.

MATERIALS PROVIDED



Hold-Down Strap

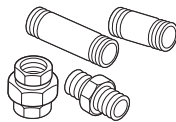


Regulator

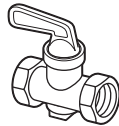
MATERIALS REQUIRED (not provided)



Pipe Thread Sealant



Pipe Fittings



Shut-Off Valve



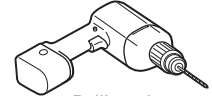
5-foot maximum length, 5/8" O.D. CSA-approved flexible metal gas supply

NOTE: Purchase new flexible line; do not use previously used flexible gas line.

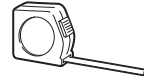
TOOLS REQUIRED



Saber Saw



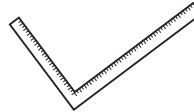
Drill and Appropriate Bits



Measuring Tape



Adjustable Wrench



Carpenter's Square



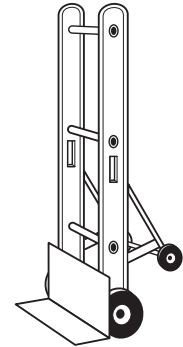
1/4" Driver or Wrench



Safety Glasses



Phillips #2 Screwdriver



Hand Truck



Level

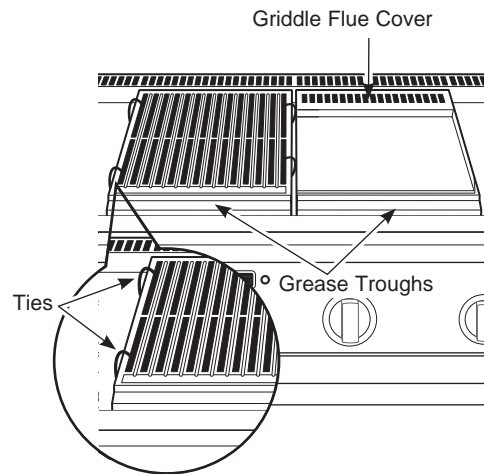
Installation

1 REMOVE PACKAGING

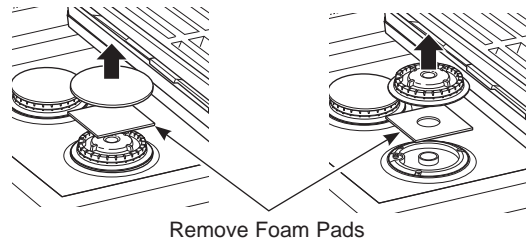
CAUTION Stand clear. The ends of the cut metal banding may snap toward you.

- Cut the metal banding.
- Remove packaging tape and foam. Dispose of packaging materials properly.
- Remove grill/griddle covers, grill grate and burner grates.
- Lift out cast-iron griddle flue cover, grease troughs and pads.

- Cut the ties holding the grill grate to the grill frame.

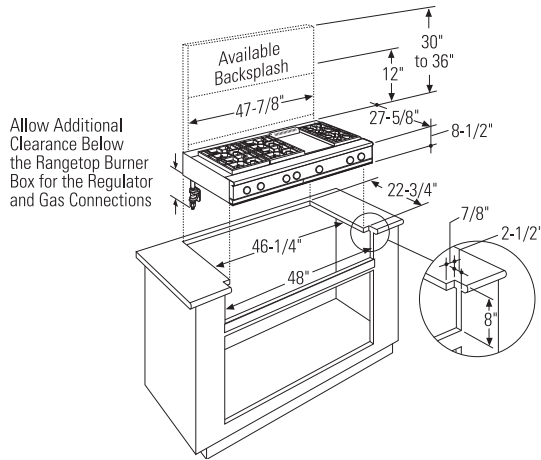


- Lift off burner caps and remove foam pad, then lift off burner heads and remove foam pad.

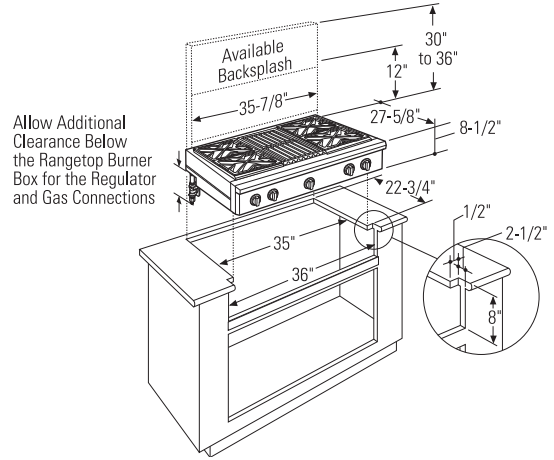


Installation

2 CUT THE COUNTERTOP OPENING



48" wide models are designed to fit in 48" or wider base cabinets



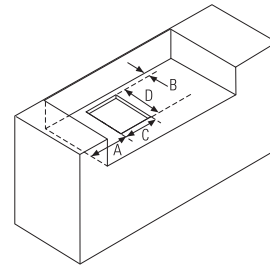
36" wide models are designed to fit in 36" or wider base cabinets

Measure carefully when cutting the countertop. Make sure sides of the opening are parallel.

- Allow 8" free space below the top surface of the countertop.
- Allow additional clearances below the burner box to install the regulator and make house supply connections. Use a 90° elbow to route the gas connections and limit interference with drawers or other cabinetry features.
- These rangetops are designed to hang from the countertop by their side flanges.
- Smooth any rough edges on the countertop before installing the rangetop.
 - Formica countertop edges must be finished.

The countertop must be strong enough to support the weight of the rangetop.

Cutout Opening with Optional False Bottom



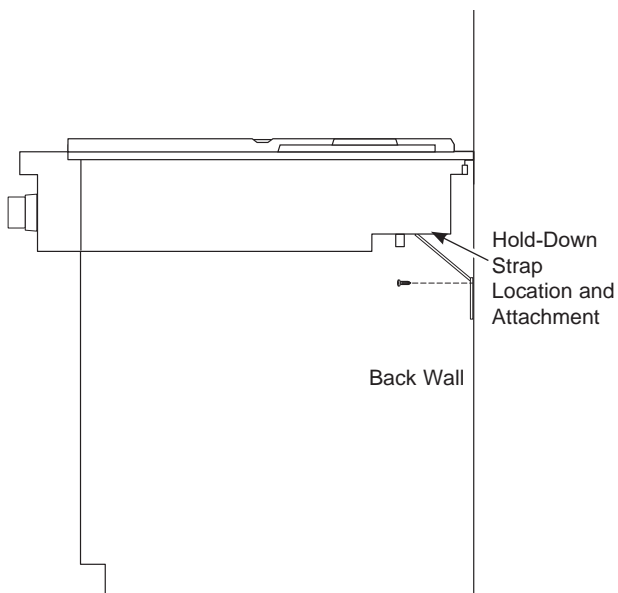
Dimensions				
	A (Dia.)	B	C	D
36" Rangetop	7-3/8"	1-1/2"	7-1/2"	11-1/8"
48" Rangetop	8-1/4"	1-1/2"	7-1/2"	11-1/8"

- You can construct the cutout with an optional false bottom to conceal the bottom of the rangetop. An optional false bottom must not structurally support the rangetop in any way as it is designed to hang from the countertop by their side flanges.
 - Build the false bottom using a solid material; cut a 7-1/2" x 11-1/8" hole in the left rear corner for the gas inlet and power cord clearances.

Installation

3 INSTALL RANGETOP

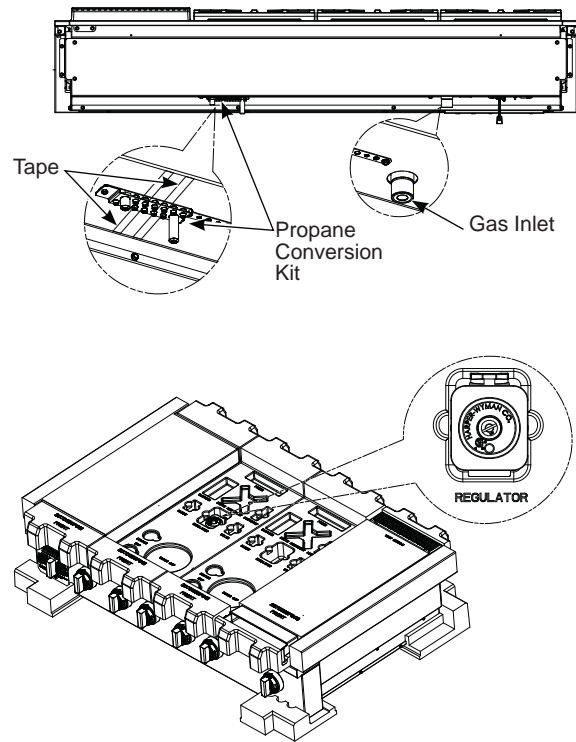
- Slide the rangetop into the opening. Make sure the rangetop is evenly seated and supported.
- A hold-down strap with screws is provided to secure the rangetop to the rear or side cabinet walls.
- Remove the hold-down strap from the back of the rangetop. Attach one end of the strap to the back of the rangetop.
- Secure the other end of the strap as high as possible to the cabinet back wall or adjacent cabinet. Keep the strap as short as possible for better security.



4 CONVERSION TO PROPANE (LP) OR NATURAL GAS

The pressure regulator and the burner orifices are set for natural gas at the factory. To operate the rangetop with propane (LP), the regulator and burner orifices must be converted. The conversion must be performed by a qualified propane (LP) gas installer.

Keep these instructions and all orifices in case you want to convert back to natural gas.



Installation

5 GAS SUPPLY

▲WARNING Fire Hazard: Do not use a flame to check for gas leaks.

▲WARNING Explosion Hazard: Do not exceed 25 ft-lbs of torque when making gas line connections. Overtightening may damage the pressure regulator resulting in fire or explosion hazard.

Gas Pressure Regulator

You must use the gas pressure regulator supplied with this rangetop. For proper operations the inlet pressure to the regulator should be as follows:

Natural Gas:

Minimum pressure: 6" of Water Column
Maximum pressure: 13" of Water Column

Propane (LP) Gas:

Minimum pressure: 11" of Water Column
Maximum pressure: 13" of Water Column

If you are not sure about the inlet pressure contact local gas supplier.

Shut off the main gas supply valve before disconnecting the old rangetop and leave it off until the new hook-up has been completed. Don't forget to relight the pilot on other gas appliances when you turn the gas back on.

Because hard piping restricts movement of the rangetop, the use of a CSA International-certified flexible metal appliance connector is recommended unless local codes require a hard-piped connection.

If the hard piping method is used, carefully align the pipe; the rangetop cannot be moved after the connection is made.

To prevent gas leaks, put pipe thread sealant on, or wrap pipe thread tape with Teflon* around all male (external) pipe threads.

- Install provided pressure regulator directly to the gas inlet pipe of the rangetop. Refer to the arrow on the back of the regulator for gas flow direction. Ensure the front of the regulator is facing towards the cabinet front, easily accessible through the cabinet doors.
- Install a manual shut-off valve in the gas line in a location easily accessible through the cabinet doors.
- When all connections have been made, ensure all gas controls are in the off position and turn on the main gas supply valve. Use a liquid leak detector at all joints and connections to check for leaks in the system.

*Teflon: Registered trademark of DuPont

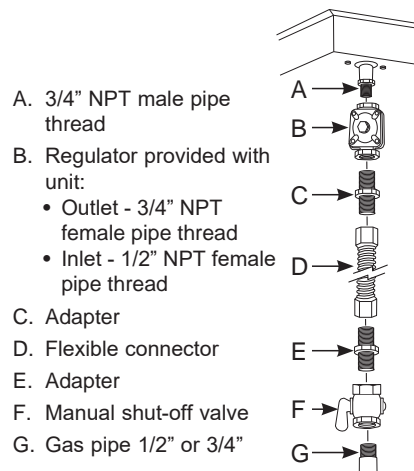
5 GAS SUPPLY (cont.)

When using pressures greater than 1/2 psig to pressure test the gas supply system of the residence, disconnect the rangetop and individual shut-off valve from the gas supply piping. When using pressures of 1/2 psig or less to pressure test the gas supply system, simply isolate the rangetop from the gas supply system by closing the individual shut-off valve.

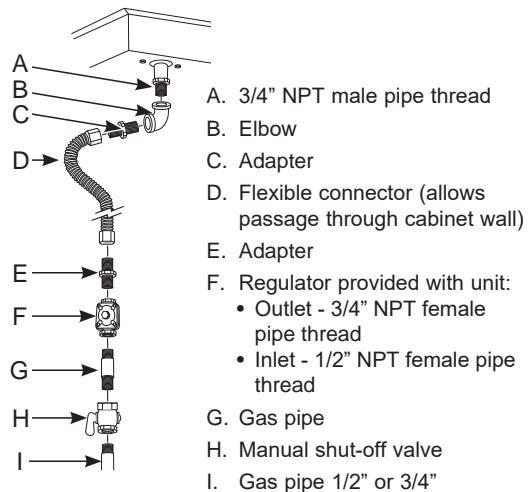
When checking for proper operation of the regulator, the inlet pressure must be at least 1" greater than the operating (manifold) pressure as given on rating label of product.

CONNECTOR HOOKUP

TYPICAL INSTALLATION WITH NO OBSTRUCTION BELOW RANGETOP



ALTERNATE INSTALLATION WITH OBSTRUCTION BELOW RANGETOP



Installation

6 ELECTRICAL CONNECTIONS

⚠ WARNING Shock Hazard: This appliance must be properly grounded. Failure to do so can result in electric shock.

Electrical Requirements - 120-volt, 60 Hertz, properly grounded dedicated circuit protected by a 15-amp or 20-amp circuit breaker or time delay fuse.

NOTE: Use of automatic, wireless, or wired external switches that shut off power to the appliance are not recommended for this product.

Grounding

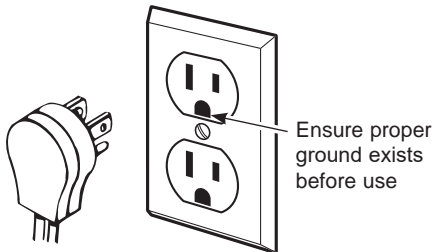
The power cord of this appliance is equipped with a three-prong (grounding) plug which plugs into a standard three-prong grounding wall receptacle to minimize the possibility of electric shock hazard from this appliance.

The customer should have the wall receptacle and circuit checked by a qualified electrician to make sure the receptacle is properly grounded.

Where a standard two-prong wall receptacle is encountered, it is the personal responsibility and obligation of the customer to have it replaced with a properly grounded three-prong wall receptacle.

DO NOT, UNDER ANY CIRCUMSTANCES, CUT OR REMOVE THE THIRD (GROUND) PRONG FROM THE POWER CORD. DO NOT USE AN ADAPTER. DO NOT USE AN EXTENSION CORD.

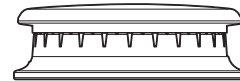
Ground Fault Circuit Interrupters (GFCI's) are not required or recommended for gas range receptacles. Performance of the range will not be affected if operated on a GFCI-protected circuit but occasional nuisance tripping of the GFCI breaker is possible.



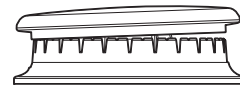
7 CHECK BURNERS

⚠ WARNING Fire or Explosion Hazard: Do not operate the burner without all burner parts in place.

- A. **Burners** - Place surface burners into corresponding positions on cooktop.
- B. **Caps** - Place caps on proper size burner.
- C. **Grates** - The left and right grates are interchangeable. Place the grates on the cooktop.



Burner Cap Properly Seated



Burner Cap Not Properly Seated

8 CHECK SURFACE BURNERS

Push and turn a knob to the LITE position. A clicking sound indicates proper operation of the ignition system. When lighting any burner, sparks will appear at all burners but gas flows from only the one selected. Once air is purged from the supply line, burner should light within 4 seconds. After burner lights, rotate the knob out of the LITE position. Try each burner in succession until all burners have been checked.

Quality of Flames

Determine the quality of flames visually. Normal burner flames should look like (A) or (B).



(A) Soft blue flames—
Normal for natural gas



(B) Yellow tips on
outer cones—
Normal for propane (LP) gas

Long, bright yellow flames are not normal. Normal flames may show signs of an orange tint when well heated or signs of flickering orange due to particles in the gas or air.

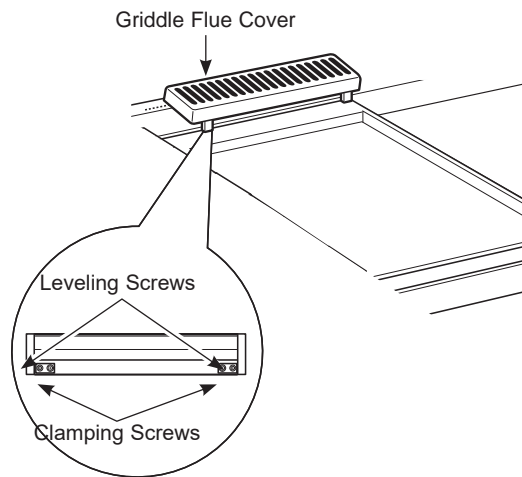
Installation

FINALIZE INSTALLATION

Place the burner grates over the burners. The grates should be seated and should not rock.

The griddle is secured with screws. It is designed to be stationary and should not be removed.

The griddle has two leveling screws beneath the rear flue cover that can be used to adjust to the desired slope.



The two inner screws are clamping screws for securing the griddle in place. Loosen these two screws before leveling. Do not remove these two screws.

The two outer screws are leveling screws. Do not remove these two screws. They can be turned to level the griddle or to provide a forward slope to help grease and oils drain away from the food being cooked.

After leveling the griddle, hand-tighten the clamping screws; do not over-tighten.

WHEN ALL HOOKUPS ARE COMPLETED

Make sure all controls are left in the off position. Make sure the flow of combustion and ventilation air to the range is unobstructed.

Check that all packing materials and tape have been removed. This will include tape on metal panel under control knobs (if applicable), adhesive tape, wire ties, cardboard, and protective plastic. Failure to remove these materials could result in damage to the appliance once the appliance has been turned on and surfaces have heated.

Notes

Notes

NOTE: While performing installations described in this book, safety glasses or goggles should be worn.

NOTE: Product improvement is a continuing endeavor at GE Appliances. Therefore, materials, appearance and specifications are subject to change without notice.



DISTINCT BY DESIGN™

Instructions d'installation

Table de cuisson professionnelle

CGU366, CGU486

TABLE DES MATIÈRES

Consignes de Sécurité	2	Installation	
Caractéristiques		Sortez L'appareil De Son Emballage	8
Dimensions du Produit et Espaces de Séparation.....	4	Coupez L'ouverture du Plan de Travail.....	9
Consignes d'installation		Installez la Table de Cuisson	10
Kit Haute Altitude.....	7	Conversion au gaz propane (GPL) ou gaz naturel	10
Matériel Fourni	7	Alimentation en gaz.....	11
Matériel Nécessaire (non fourni)	7	Branchements Électriques	12
Outils Nécessaires	7	Vérifiez les Brûleurs	12
		Vérification des brûleurs de surface.....	12
		Terminez L'installation.....	13
		Une fois tous les raccords terminés.....	13

Des questions? Visitez cafeappliances.com.

Français

Consignes de Sécurité

Vous avez une question ou vous avez besoin d'aide pour votre appareil électroménager? Visitez le site Web Café 24 heures par jour, tous les jours de l'année! Vous pouvez aussi y trouver d'autres produits Café formidables et tirer avantage de tous nos services d'assistance en ligne. Aux États-Unis : cafeappliances.com (Au Canada: cafeappliances.ca)

DANS LE COMMONWEALTH DU MASSACHUSETTS

- Ce produit doit être installé par un plombier ou un monteur d'installations au gaz agréés.
- Si l'on utilise des robinets de sectionnement du gaz à rotule, ils doivent comporter une poignée en « T ».
- Un raccord de gaz flexible, le cas échéant, ne doit pas excéder 1,5 m (5 pi).

⚠ AVERTISSEMENT RISQUE D'INCENDIE OU D'EXPLOSION

Si les instructions contenues dans ce manuel ne sont pas observées rigoureusement, un incendie ou une explosion peuvent en résulter et causer des dommages à la propriété, des blessures corporelles ou la mort.

L'installation doit être effectuée par un installateur qualifié.

Lisez ces instructions au complet et attentivement.

L'installation de cette cuisinière doit se conformer aux codes locaux, ou en l'absence de codes locaux, conformément au National Fuel Gas Code, ANSI Z223.1/NFPA.54, dernière édition. Au Canada, l'installation doit se conformer au Code d'installation du gaz naturel actuel CAN/CGA-B149.1 ou au Code d'installation du propane (LP) CAN/CGA-B149.2, ainsi qu'à tous les codes locaux en vigueur. Cette cuisinière a été certifiée par CSA International selon la norme ANSI Z21.1, dernière édition, et par l'Association canadienne du gaz selon la norme CAN/CGA-1.1, dernière édition.

Lors de l'installation d'un appareil au gaz, l'utilisation de vieux raccords flexibles peut causer des fuites de gaz et des blessures. Utilisez toujours un raccord flexible NEUF.

La détection de fuites sur cet appareil doit être effectuée conformément aux instructions du fabricant.

La cuisinière doit être mise à la terre électriquement conformément aux codes locaux ou, en l'absence de codes locaux, conformément au National Electrical Code (ANSI/NFPA 70, dernière édition). Au Canada, la mise à la terre électrique doit se conformer à la norme CSA C22.1 de la Partie 1 du Code canadien de l'électricité actuel et/ou aux codes locaux. Consultez la rubrique Raccordements électriques dans cette section.

N'installez pas ce produit avec une hotte à rideau d'air ou d'autres hottes de cuisinière qui fonctionnent en soufflant de l'air vers le bas sur la table de cuisson. Ce flux d'air peut gêner le fonctionnement des brûleurs à gaz et poser un risque d'incendie ou d'explosion.

LISEZ ET CONSERVEZ CES INSTRUCTIONS

Consignes de Sécurité

AVANT DE COMMENCER

Lisez attentivement l'ensemble des consignes.

- **IMPORTANT** — Conservez ces instructions pour l'inspecteur local.
- **IMPORTANT** — Respectez toutes les normes ainsi que les recommandations préconisées par les autorités compétentes.
- **IMPORTANT** — Retirez tout le matériel d'emballage et la documentation dans le four avant de raccorder les alimentations en gaz et électrique à la cuisinière.
- **IMPORTANT** — Pour éviter d'endommager vos armoires, vérifiez auprès de votre entrepreneur ou votre fournisseur d'armoires si les matériaux utilisés résisteront à la décoloration, la délamination et à d'autres dommages. La conception de ce four est conforme aux exigences des organismes de certification UL et CSA International et satisfait la température maximale admissible de 90 °C (194 °F) pour armoires en bois.
- **Remarque à l'attention de l'installateur** — BAssurez-vous de laisser ces instructions au consommateur.
- **Note au consommateur** — Gardez ces instructions avec votre manuel d'utilisation pour référence ultérieure.
- **Technicien en réparation** — Le schéma électrique se trouve dans une enveloppe attachée à l'arrière de la cuisinière.
- L'exactitude de l'installation relève de la responsabilité de l'installateur.
- La garantie ne couvre pas un produit défectueux en raison d'une installation incorrecte.
- Avant d'installer votre cuisinière sur du linoléum ou tout autre recouvrement de plancher synthétique, assurez-vous que le recouvrement peut supporter une température de 180 °F sans rétrécir, gauchir ou se décolorer. N'installez pas la cuisinière sur un tapis à moins de poser un contreplaqué de 1/4 po d'épaisseur ou un matériau isolant similaire entre la cuisinière et le tapis.
- Pour les pièces et accessoires visitez notre site sur cafeappliances.com (Au Canada, cafeappliances.ca.)
- Si vous avez reçu une table de cuisson endommagée, vous devez contacter votre revendeur.

SI L'ARTICLE EST VENDU À L'EXTÉRIEUR DES É.-U. OU DU CANADA

▲ AVERTISSEMENT Si vous souhaitez utiliser ce produit avec un gaz de pétrole liquéfié (LP) qui contient plus de 10 % de butane, vous devez vous procurer la trousse de conversion au propane #CXBUPR01. Pour commander, veuillez composer le 1.888.664.8403 ou le 1.787.276.4051. Le non-respect de cette consigne pourrait présenter un risque d'incendie ou d'intoxication au monoxyde de carbone.

DISPOSITIONS DE HOTTE D'EXTRACTION

Une hotte d'aspiration appropriée est nécessaire pour les modèles à barbecue et est recommandée pour tous les autres modèles.

Cet appareil produisant une importante quantité de chaleur, vous devez porter une attention toute particulière à l'installation de la hotte et de la conduite d'aération afin de vous assurer qu'elle répond aux normes de construction en vigueur dans votre région.

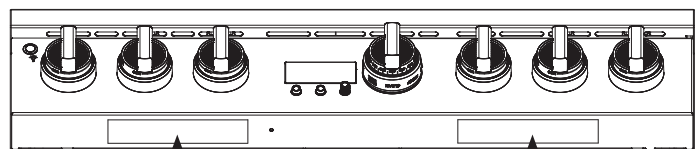
Il faut prévoir les dégagements ci-dessous par rapport aux surfaces horizontales qui se trouvent au-dessus de la cuisinière. Le non-respect de cette consigne pourrait présenter un risque d'incendie.

- Les installations sans hotte nécessitent une distance minimale de 48 po aux combustibles.
- Il est possible d'installer une hotte spéciale à proximité d'éléments horizontaux inflammables dans la mesure où celle-ci dispose d'une fonction de mise en marche automatique.
- Pour obtenir les spécifications relatives aux espaces d'autres installations pourvues d'une hotte, veuillez vous reporter aux instructions fournies avec celle-ci.

▲ ATTENTION Ces tables de cuisson sont très lourdes. Un certain démontage réduira considérablement le poids. Étant donné le poids et la taille de la table de cuisson et afin de réduire le risque de blessure ou de dommage au produit :

DEUX PERSONNES SONT REQUISES POUR PROCÉDER À L'INSTALLATION ADÉQUATE DES TABLES DE CUISSON.

TROIS PERSONNES SONT REQUISES POUR PROCÉDER À L'INSTALLATION ADÉQUATE DES TABLES DE CUISSON DE 48 PO.

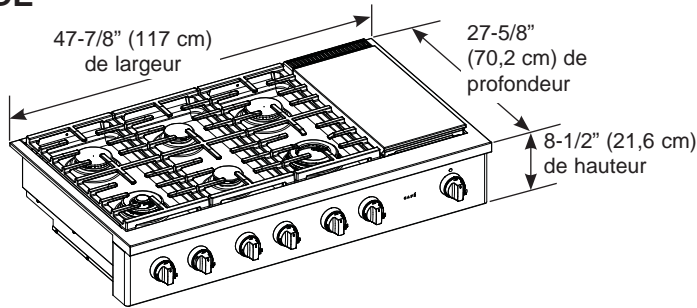


Emplacement de l'étiquette signalétique

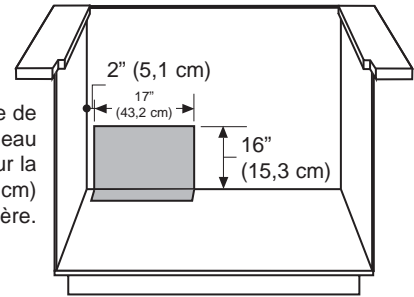
LISEZ ET CONSERVEZ CES INSTRUCTIONS

Caractéristiques

DIMENSIONS DU PRODUIT ET ESPACES DE SÉPARATION POUR LES MODÈLES DE



Emplacements de raccord universels



Placez l'arrivée de gaz sur le panneau arrière ou sur la base, à 2" (5 cm) du panneau arrière.

⚠ AVERTISSEMENT

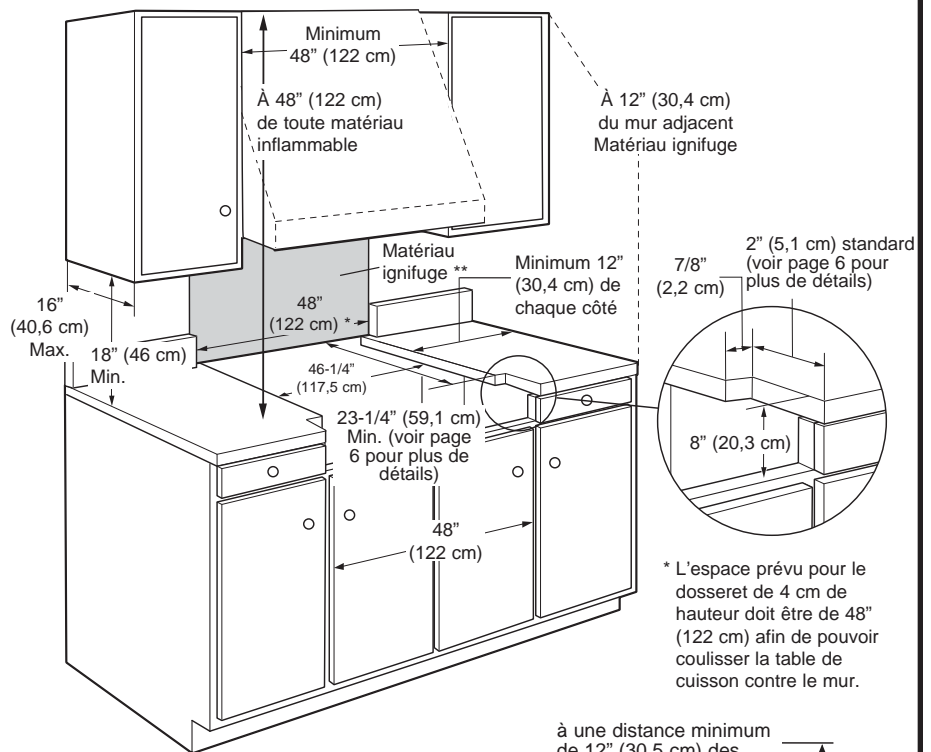
Pour les installations dépourvues de hotte, prévoyez au minimum un espace de 48" (122 cm) entre l'appareil et toute matière inflammable. Il est possible d'installer une hotte spéciale à proximité d'éléments horizontaux inflammables dans la mesure où celle-ci dispose d'une fonction de mise en marche automatique. Pour obtenir les spécifications d'espace pour d'autres installations pourvues d'une hotte, veuillez vous reporter aux instructions fournies avec celle-ci.

La surface de la totalité du mur arrière au-dessus de la cuisinière et au-dessous de la hotte doit être recouverte d'un matériau incombustible tel que métal, carreau de céramique, brique, marbre ou autre pierre.

⚠ ATTENTION

Afin d'éviter que les courants d'air ne gênent le fonctionnement du brûleur, scellez toutes les ouvertures dans le plancher sous l'appareil et derrière la paroi de celui-ci.

** Selon la définition du National Fuel Gas Code (ANSI Z223.1/CSA B149.1, édition courante). Les dégagements à partir des matériaux incombustibles ne sont pas du ressort de la norme ANSI Z21.1/CSA 1.1 et ils ne sont pas certifiés par la CSA. Les dégagements inférieurs à 30,5 cm (12 po) doivent être approuvés d'après les codes locaux et/ou par les autorités compétentes.



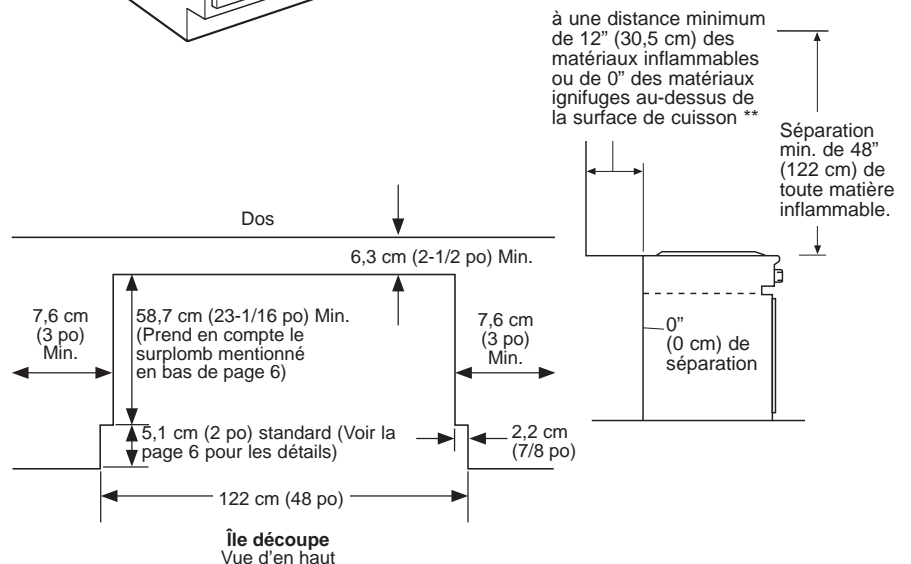
* L'espace prévu pour le dossier de 4 cm de hauteur doit être de 48" (122 cm) afin de pouvoir coulisser la table de cuisson contre le mur.

ESPACES SUPPLÉMENTAIRES :

Prévoyez un espace minimum de 30 cm (12") par rapport au mur adjacent sur chaque côté.

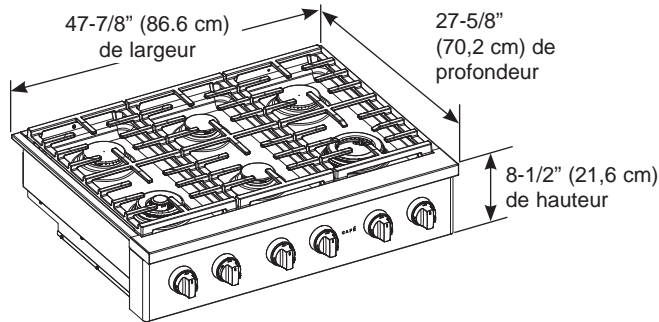
Les espaces de transit autour de la table de cuisson doivent être séparés par un espace d'au moins 45,7 cm (18") entre le plan de travail et le bas du placard mural.

Pour une installation en îlot, maintenir une distance minimum de 6,3 cm (2 1/2 po) entre le bord et le dos du comptoir et 7,6 cm (3 po) minimum sur les côtés du comptoir (voir vue de dessus).

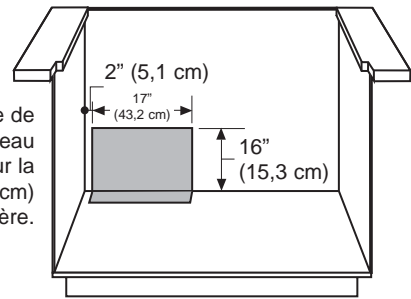


Caractéristiques

DIMENSIONS DU PRODUIT ET ESPACES DE SÉPARATION POUR LES MODÈLES DE 36" (91,4 CM)



Emplacements de raccord universels



Placez l'arrivée de gaz sur le panneau arrière ou sur la base, à 2" (5 cm) du panneau arrière.

⚠ AVERTISSEMENT

Pour les installations dépourvues de hotte, prévoyez au minimum un espace de 48" (122 cm) entre l'appareil et toute matière inflammable. Il est possible d'installer une hotte spéciale à proximité d'éléments horizontaux inflammables dans la mesure où celle-ci dispose d'une fonction de mise en marche automatique. Pour obtenir les spécifications d'espace pour d'autres installations pourvues d'une hotte, veuillez vous reporter aux instructions fournies avec celle-ci.

La surface de la totalité du mur arrière au-dessus de la cuisinière et au-dessous de la hotte doit être recouverte d'un matériau incombustible tel que métal, carreau de céramique, brique, marbre ou autre pierre.

⚠ ATTENTION

Afin d'éviter que les courants d'air ne gênent le fonctionnement du brûleur, scellez toutes les ouvertures dans le plancher sous l'appareil et derrière la paroi de celui-ci.

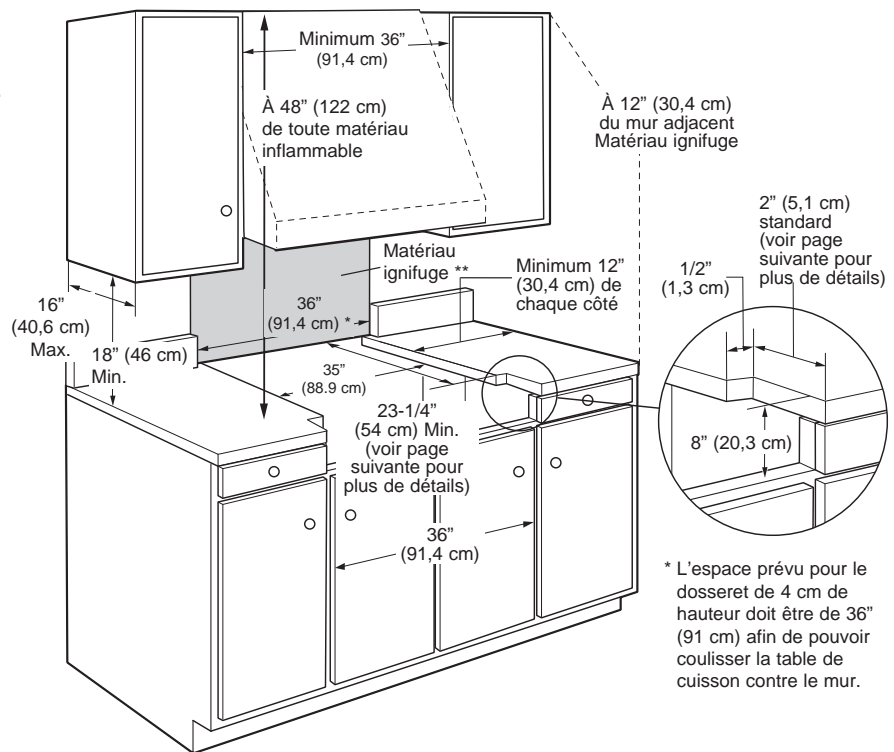
** Selon la définition du National Fuel Gas Code (ANSI Z223.1/CSA B149.1, édition courante). Les dégagements à partir des matériaux incombustibles ne sont pas du ressort de la norme ANSI Z21.1/CSA 1.1 et ils ne sont pas certifiés par la CSA. Les dégagements inférieurs à 30,5 cm (12 po) doivent être approuvés d'après les codes locaux et/ou par les autorités compétentes.

ESPACES SUPPLÉMENTAIRES :

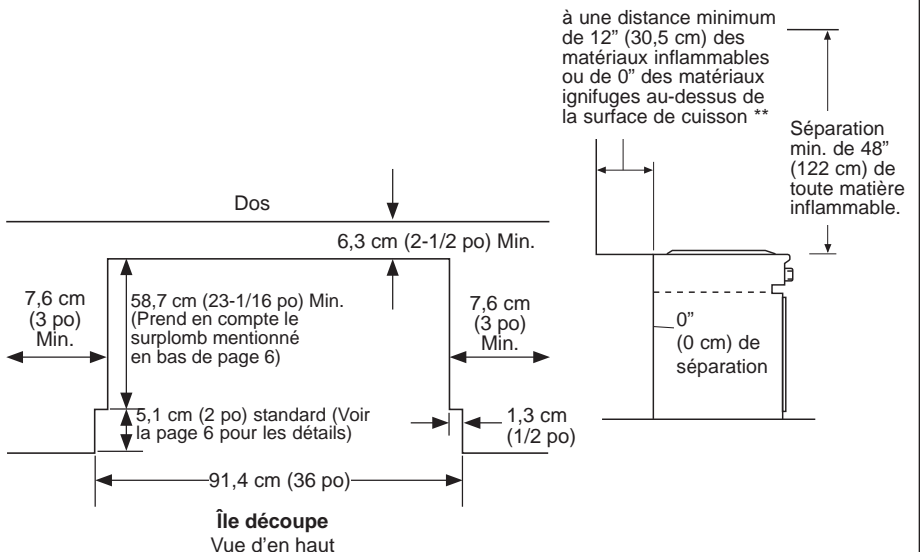
Prévoyez un espace minimum de 30 cm (12") par rapport au mur adjacent sur chaque côté.

Les espaces de transit autour de la table de cuisson doivent être séparées par un espace d'au moins 45,7 cm (18") entre le plan de travail et le bas du placard mural.

Pour une installation en îlot, maintenir une distance minimum de 6,3 cm (2 1/2 po) entre le bord et le dos du comptoir et 7,6 cm (3 po) minimum sur les côtés du comptoir (voir vue de dessus).



* L'espace prévu pour le dossier de 4 cm de hauteur doit être de 36" (91 cm) afin de pouvoir coulisser la table de cuisson contre le mur.

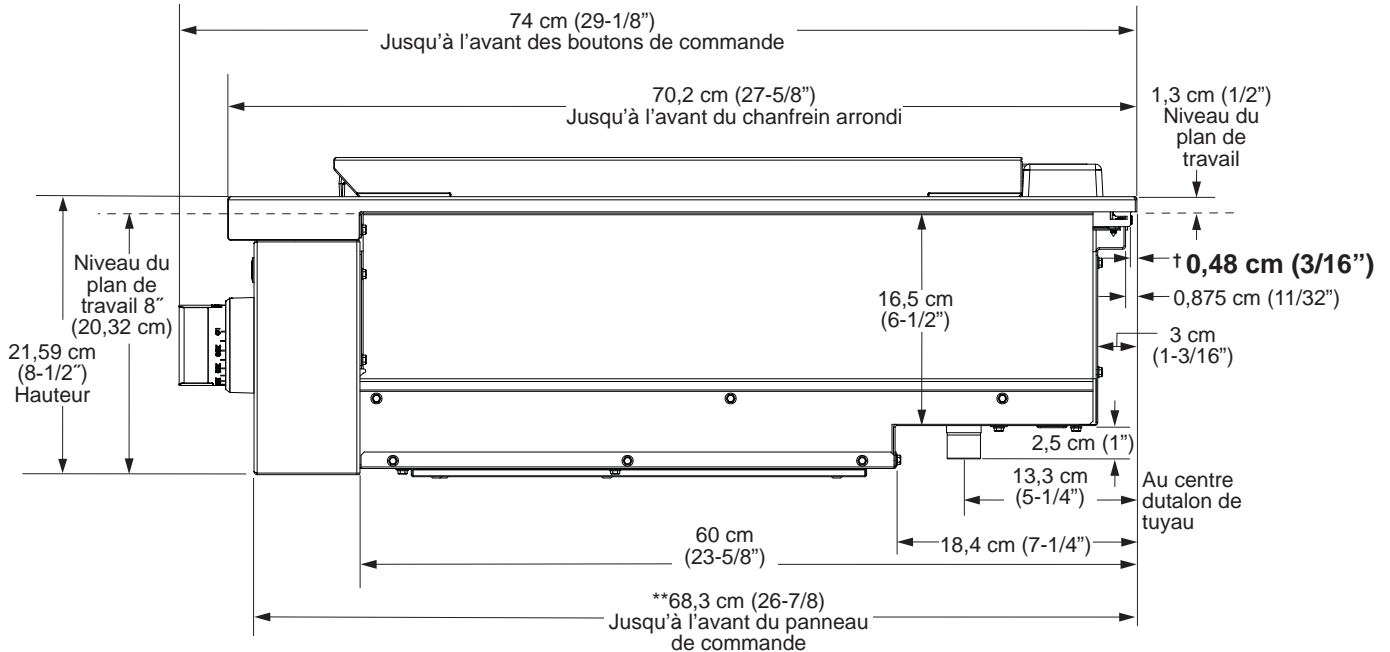
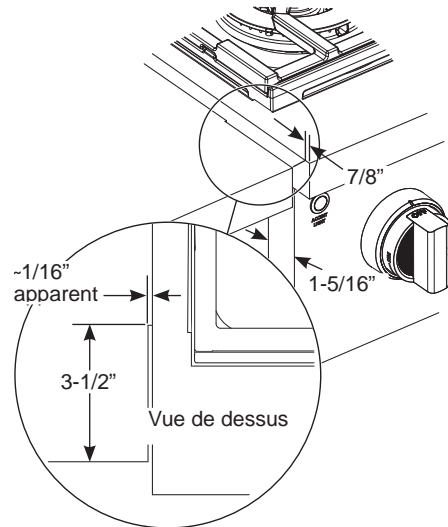
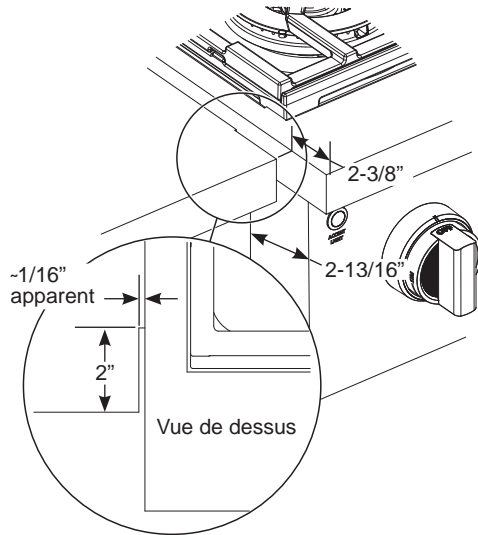


Caractéristiques

DIMENSIONS DE L'APPAREIL ET ESPACES

Modèles de table de cuisson de 48 et 36 po

La découpe standard de 5,1 cm (2 po) illustrée à la page précédente aura pour résultat de projeter le panneau de commande et le nez vers l'avant par rapport à une armoire standard de 61 cm (24 po) de profondeur et une découpe de comptoir de 64,1 cm (25 1/4 po) de profondeur (surplomb de 3,2 cm [1 1/4 po]), comme indiqué sur l'illustration à gauche ci-dessous. Ces dimensions de découpe peuvent changer si la table de cuisson sera davantage encastrée avec une découpe de comptoir plus profonde, comme indiqué sur l'illustration de droite en exemple. Toutes les dimensions ci-dessous sont approximatives.



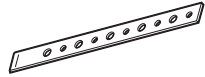
† Valeurs comprenant la partie suspendue de la tablette arrière lorsque le plan de travail se prolonge derrière l'appareil. Ajoutez le surplomb de la plaque décorative lorsque le plan de travail se prolonge sous l'appareil. Le surplomb ne fait office que de décoration. Le poids de la table de cuisson est entièrement supporté par les plaques latérales.

Consignes d'installation

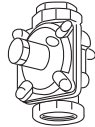
INSTALLATION EN HAUTE ALTITUDE

Au-delà de 6000 pi (1830 m), un produit configuré pour le gaz naturel ou le propane nécessite l'installation d'une trousse (WB28X39728 pour le gaz naturel et WB28X39729 pour le propane). Suivez les instructions incluses dans la trousse.

MATÉRIEL FOURNI



Bande de fixation

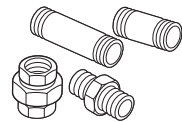


Régulateur

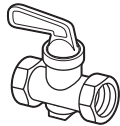
MATÉRIEL NÉCESSAIRE (non fourni)



Pâte d'étanchéité pour raccords filetés



Raccords de tuyau



Clapet de fermeture



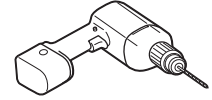
Tuyau métallique flexible d'alimentation de gaz agréé CSA de 1,58 cm de diamètre et d'une longueur maximale de 1,5 m (5 pieds)

REMARQUE : procurez-vous un tuyau flexible neuf, n'utilisez pas un tuyau ayant déjà été utilisé.

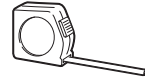
OUTILS NÉCESSAIRES



Scie sauteuse



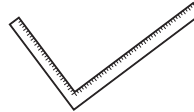
Perceuse et forets adaptés



Mètre



Clé anglaise



Équerre de maçon



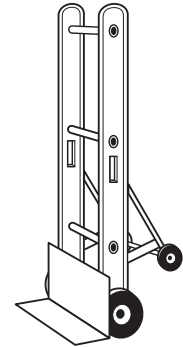
Tournevis ou clé à molette 1/4" (0.63 cm)



Lunettes protectrices



Tournevis cruciforme 2



Diable



Niveau

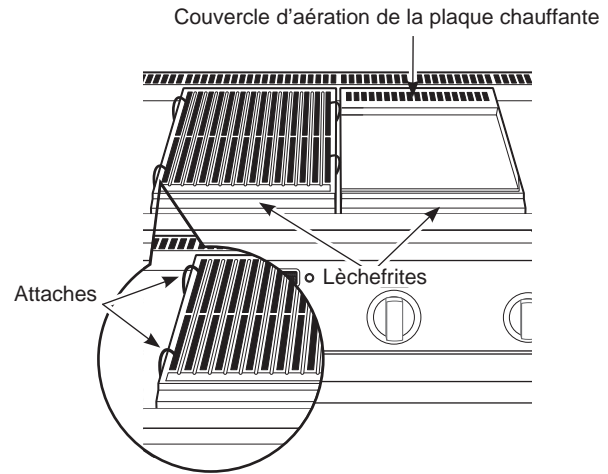
Installation

1 SORTEZ L'APPAREIL DE SON EMBALLAGE

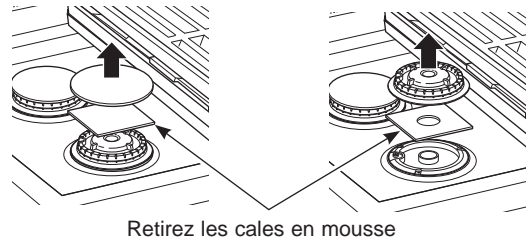
ATTENTION Maintenez-vous à l'écart. Les extrémités des bandes métalliques découpées peuvent vous blesser.

- Coupez la bande métallique.
- Retirez le ruban et la mousse. Mettez les matériaux d'emballage au rebut selon les normes locales.
- Retirez les couvercles du grill/plaque chauffante, les grilles du grill et du brûleur.
- Soulevez le couvercle de la plaque chauffante en fonte, les lèchefrites et les cales.

- Coupez les attaches qui maintiennent la grille sur le cadre du grill.

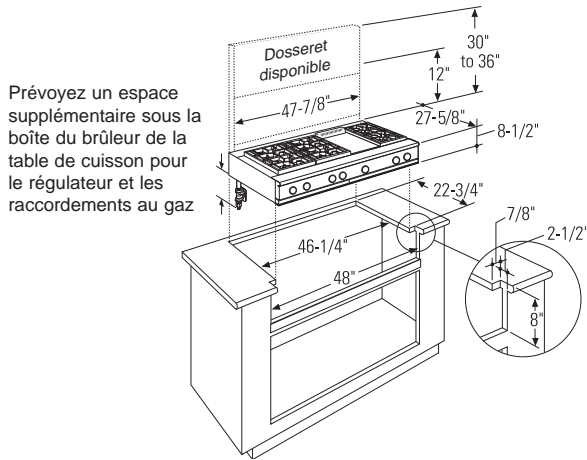


- Soulevez les chapeaux du brûleur et retirez la cale en mousse puis retirez les têtes du brûleur et retirez la cale en mousse.



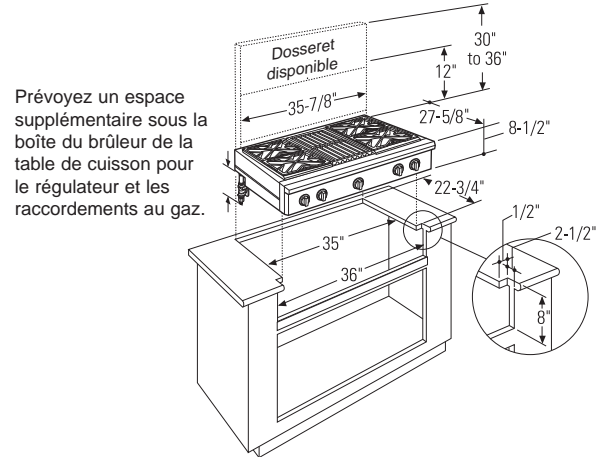
Installation

2 COUPEZ L'OUVERTURE DU PLAN DE TRAVAIL



Prévoyez un espace supplémentaire sous la boîte du brûleur de la table de cuisson pour le régulateur et les raccords au gaz

Les modèles d'une largeur de 1,2 m (48") ont été conçus pour les encastrer dans des placards 1,2 m (48") ou plus



Prévoyez un espace supplémentaire sous la boîte du brûleur de la table de cuisson pour le régulateur et les raccords au gaz.

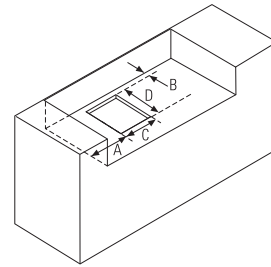
Les modèles d'une largeur de 91 cm (36") ont été conçus pour les encastrer dans des placards de 91 cm (36")

Prenez votre temps pour prendre vos mesures lorsque vous découpez le plan de travail. Veuillez à ce que les deux côtés de l'ouverture soient parallèles.

- Prévoyez un espace de 20,3 cm sous la surface supérieure du plan de travail.
- Prévoyez des espaces supplémentaires sous le boîtier du brûleur pour installer le régulateur et y ranger des conduits de gaz. Utilisez un coude 90° pour acheminer les conduits d'alimentation du gaz et limiter les interférences avec les tiroirs et les éléments du placard.
- Ces tables de cuisson ont été conçues pour être suspendues au-dessus du plan de travail par leurs brides latérales.
- Poncez toute bordure abrasive du plan de travail d'installer la table de cuisson.
 - Les bordures des plans de travail en Formica exigent une finition.

Le plan de travail doit être suffisamment solide pour supporter le poids de la table de cuisson.

Ouverture avec faux-fond facultatif



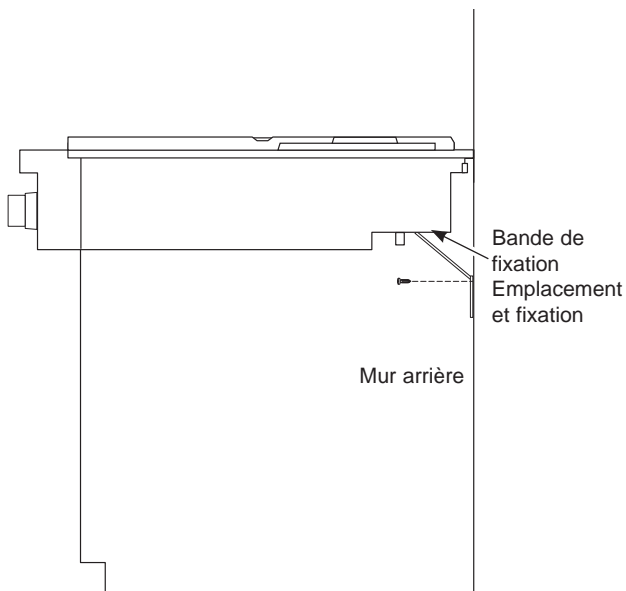
Dimensions				
	A (Dia.)	B	C	D
Cuisinière de 36 po	7-3/8" (18,7 cm)	1-1/2" (3,8 cm)	7-1/2" (19,0 cm)	11-1/8" (28,3 cm)
Cuisinière de 48 po	8-1/4" (21 cm)	1-1/2" (3,8 cm)	7-1/2" (19,0 cm)	11-1/8" (28,3 cm)

- Vous pouvez construire l'ouverture avec un faux-fond facultatif afin de dissimuler le bas de la table de cuisson. La faux-fond facultatif ne doit supporter la table de cuisson d'aucune façon structurellement car celle-ci est conçue pour s'accrocher au comptoir par ses rebords latéraux.
 - Fabriquez le faux-fond avec un matériau solide, découpez un trou 7-1/2" x 11-1/8" de diamètre dans le coin arrière gauche pour les espaces de l'arrivée du gaz et du cordon d'alimentation.

Installation

3 INSTALLER LA TABLE DE CUISSON

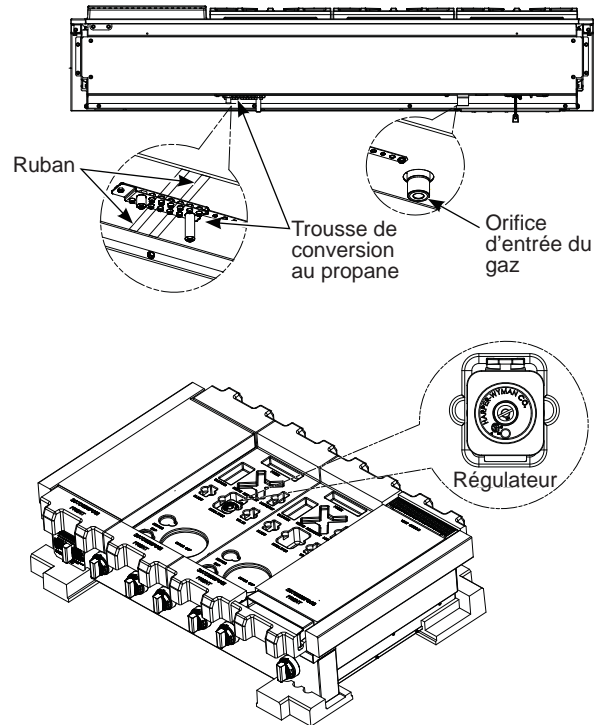
- Coulissez la table de cuisson dans l'ouverture. Assurez-vous que la table soit placée au milieu et correctement supportée.
- Une bande de fixation dotée de vis est fournie pour fixer la table de cuisson sur les parois arrière ou latérales du placard
- Retirez la bande de fixation de l'arrière de la table de cuisson. Fixez une extrémité de la bande au dos de la table de cuisson.
- Fixez l'autre extrémité de la bande le plus haut possible sur la paroi arrière du placard ou le placard situé à côté. Veillez à ce que la bande soit la plus courte possible pour des raisons de sécurité.



4 CONVERSION AU PROPANE (LP) OU AU GAZ NATUREL

Le régulateur de pression et les orifices du brûleur sont réglés pour l'utilisation du gaz naturel en usine. Pour faire fonctionner cette cuisinière au propane (LP), le régulateur et les orifices de brûleur doivent être convertis. Cette conversion doit être faite par un installateur pour propane (LP) qualifié.

Conservez ces instructions et tous les orifices dans l'éventualité d'un retour au gaz naturel.



Installation

5 ALIMENTATION EN GAZ

⚠ AVERTISSEMENT Risque d'incendie : N'utilisez pas une flamme pour détecter les fuites de gaz.

⚠ AVERTISSEMENT Risque d'explosion : Le couple de serrage des raccords à la conduite de gaz ne doit pas excéder 25 lb-pi. Un serrage trop élevé peut endommager le régulateur de pression et poser un risque d'incendie ou d'explosion.

Régulateur de pression du gaz

Vous devez utiliser le régulateur de pression fourni avec cette cuisinière. Pour un bon fonctionnement, la pression d'admission de gaz au régulateur doit présenter les valeurs suivantes :

Gaz naturel :

Pression minimale : 6 podes colonne d'eau

Pression maximale : 13 podes colonne d'eau

Propane (LP) :

Pression minimale : 11 podes colonne d'eau

Pression maximale : 13 podes colonne d'eau

Si vous doutez de connaître la pression d'admission de gaz, communiquez avec votre fournisseur de gaz local.

Fermez la soupape d'alimentation en gaz principale avant de débrancher la cuisinière en place et laissez-la fermer tant que le raccordement de la nouvelle cuisinière n'est pas fait. N'oubliez pas de rallumer la veilleuse du nouveau dispositif lors du rétablissement du gaz.

Parce que la tuyauterie rigide restreint la mise en place de la cuisinière, l'utilisation d'un raccord métallique flexible certifié par CSA International est recommandé sauf si les codes locaux exigent un raccordement par tuyauterie rigide.

Si vous utilisez la méthode de raccordement à une tuyauterie rigide, alignez soigneusement le tuyau parce que vous ne pourrez plus déplacer la cuisinière une fois le raccordement fait.

Pour éviter les fuites de gaz, appliquez un scellant pour filets de tuyau ou enveloppez les filets avec un ruban de Téflon* sur les filets du tuyau mâle (à l'extérieur).

- Installez le régulateur de pression fourni directement sur l'entrée du tuyau de gaz de la cuisinière. Respectez la flèche indiquant le sens du débit de gaz à l'arrière du régulateur. Assurez-vous que le devant du régulateur soit dirigé vers le devant de l'armoire et facilement accessible par les portes de l'armoire.
- Installez le robinet de sectionnement manuel à la conduite de gaz et à un endroit facilement accessible par les portes de l'armoire.
- Lorsque tous les raccords sont terminés, assurez-vous que les commandes de gaz sont en position fermée sur la soupape d'alimentation de gaz principale. Utilisez un détecteur de fuite liquide sur tous les joints et raccords pour détecter toutes fuites possibles.

*Teflon : Marque déposée de DuPont.

5 ALIMENTATION EN GAZ (suite)

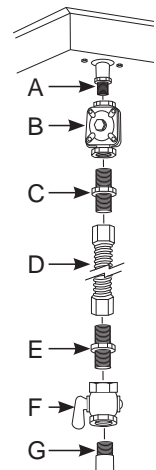
Lorsqu'une pression supérieure à ½ psi de l'essai en pression du système d'alimentation en gaz du domicile est nécessaire, débranchez la cuisinière et le robinet de sectionnement individuel de la tuyauterie d'alimentation de gaz. Lorsqu'une pression de ½ psi ou moins de l'essai en pression du système d'alimentation en gaz est nécessaire, isolez simplement la cuisinière du système d'alimentation en gaz en fermant le robinet de sectionnement individuel.

Lors de la vérification du bon fonctionnement du régulateur, la pression d'admission doit être supérieure d'au moins 1 po par rapport à la pression de service (collecteur) indiquée sur l'étiquette signalétique du produit.

INSTALLATION DU CONNECTEUR

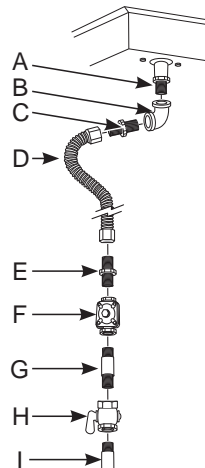
INSTALLATION TYPIQUE SANS OBSTRUCTION SOUS LA CUISINIÈRE

- Tuyau à filetage mâle de 1,9 cm (¾ po) NPT
- Régulateur fourni avec la cuisinière :
 - Sortie - tuyau à filetage femelle de 1,9 cm (¾ po) femelle NPT
 - Entrée - tuyau à filetage femelle de 1,3 cm (½ po) NPT
- Adaptateur
- Connecteur flexible
- Adaptateur
- Robinet de sectionnement manuel
- Tuyau de gaz de 1,3 ou 1,9 cm (½ ou ¾ po)



INSTALLATION ALTERNATIVE SI OBSTRUCTION SOUS LA CUISINIÈRE

- Tuyau à filetage mâle de 1,9 cm (¾ po) NPT
- Coude
- Adaptateur
- Connecteur flexible (permet le passage dans la paroi de l'armoire)
- Adaptateur
- Régulateur fourni avec la cuisinière :
 - Sortie - tuyau à filetage femelle de 1,9 cm (¾ po) femelle NPT
 - Entrée - tuyau à filetage femelle de 1,3 cm (½ po) NPT
- Tuyau de gaz
- Robinet de sectionnement manuel
- Tuyau de gaz de 1,3 ou 1,9 cm (½ ou ¾ po)



Installation

6 BRANCHEMENTS ÉLECTRIQUES

⚠ AVERTISSEMENT Risque de décharge électrique :
Cet appareil doit être mis à la terre correctement.
L'omission de procéder ainsi peut occasionner une décharge électrique.

Exigences électriques - 120-volts, 60 hertz, circuit dédié correctement mis à la terre par un disjoncteur de 15 ou 20 ampères ou un fusible temporisé.

REMARQUE : Pour ce produit, il est recommandé d'utiliser des interrupteurs extérieurs câblés, sans fil ou automatiques qui coupent le courant à l'appareil.

Mise à la terre

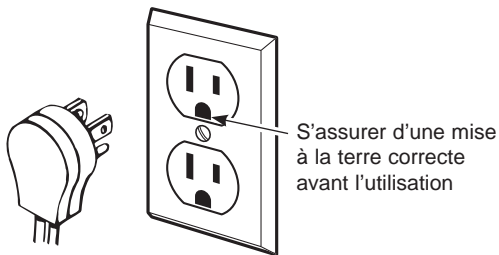
Le cordon électrique de cet appareil est muni d'une fiche à trois broches (avec terre) qui s'insère dans une prise murale à trois fentes standard afin de minimiser le risque de décharge électrique de cet appareil.

Le client devrait faire inspecter la prise murale et le circuit par un électricien agréé pour s'assurer que la prise est correctement mise à la terre.

Si la prise murale disponible est à deux fentes seulement, le client a la responsabilité et l'obligation de la remplacer par une prise murale à trois broches correctement mise à la terre.

EN AUCUNE CIRCONSTANCE VOUS NE DEVEZ COUPER OU ENLEVER LA TROISIÈME BROCHE (TERRE) DE LA FICHE DU CORDON ÉLECTRIQUE. N'UTILISEZ PAS UN ADAPTATEUR. N'UTILISEZ PAS UN CORDON DE RALLONGE.

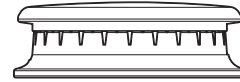
Les disjoncteurs différentiels de fuite à la terre (DDFT) ne sont pas requis ni recommandés pour les prises électriques de cuisinières au gaz. Un circuit protégé par un disjoncteur DDFT ne nuira pas au rendement de la cuisinière mais un déclenchement occasionnel de ce disjoncteur est possible.



7 VÉRIFIEZ LES BRÛLEURS

⚠ AVERTISSEMENT Risque d'incendie ou d'explosion :
Ne faites pas fonctionner le brûleur sans que toutes ses pièces ne soient en place.

- A. **Brûleur** - Placez les brûleurs de surface dans les positions correspondantes sur la table de cuisson.
- B. **Chapeaux** - Placez les chapeaux sur les brûleurs de taille appropriée.
- C. **Grilles** - Les grilles gauche et droite sont interchangeables. Placez les grilles sur la table de cuisson.



Chapeau de brûleur incorrectement installé



Chapeau de brûleur correctement installé

8 VÉRIFICATION DES BRÛLEURS DE SURFACE

Poussez et tournez un bouton jusqu'à la position LITE. Un clic indique le bon fonctionnement du système d'allumage. Lors de l'allumage d'un brûleur, des étincelles apparaîtront dans tous les brûleurs mais le gaz alimentera uniquement celui qui est sélectionné. Une fois l'air purgée de la conduite d'alimentation, le brûleur devrait s'allumer sous 4 secondes. Une fois le brûleur allumé, tournez le bouton à l'écart de la position LITE. Essayez chaque brûleur successivement jusqu'à ce que tous les brûleurs soient vérifiés.

Qualité des flammes

Déterminez la qualité des flammes visuellement. Des flammes de brûleur normales devraient ressembler à (A) ou (B).



(A) **Flammes d'un bleu doux** —
Normal pour le gaz naturel



(B) **Extrémités jaunes sur les cônes extérieurs** —
Normal pour le propane (LP)

Des flammes longues d'un jaune vif ne sont pas normales. Des flammes normales peuvent présenter une touche d'orange lorsque bien chauffées ou des signes de vacillement orange causé par des particules dans le gaz ou l'air.

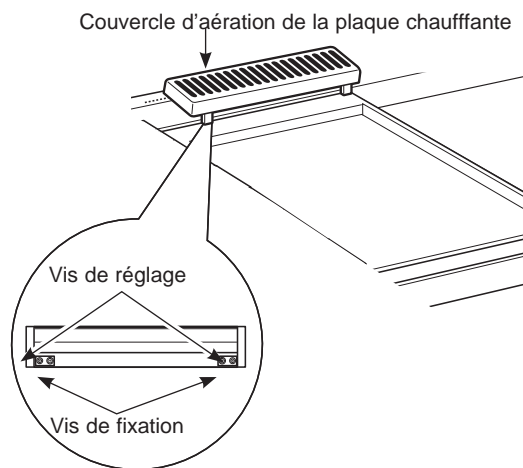
Installation

TERMINEZ L'INSTALLATION

Placez les grilles des brûleurs sur les brûleurs. Les grilles doivent être posées et ne devraient pas bouger.

La plaque chauffante est fixée à l'aide de vis. Elle a été conçue pour être statique et elle ne doit pas être retirée.

La plaque chauffante est dotée de deux vis de réglage sous le couvercle d'aération arrière que vous pouvez utiliser pour ajuster l'inclinaison de votre choix.



Les deux vis intérieures sont des vis de fixation qui maintiennent la plaque en place. Desserrez les deux vis avant de régler. Ne retirez pas ces deux vis.

Les deux vis externes sont des vis de réglage. Ne retirez pas ces deux vis. Elles peuvent être vissées pour régler le niveau de la plaque chauffante ou pour créer une inclinaison vers l'avant permettant d'évacuer la graisse et l'huile des aliments cuisinés.

Après avoir réglé le niveau de la plaque chauffante, serrez les deux vis de fixation à la main, en prenant soin de ne pas trop serrer.

UNE FOIS TOUS LES RACCORDEMENTS TERMINÉS

Assurez-vous que toutes les commandes sont dans la position d'arrêt (OFF). Assurez-vous que la circulation de l'air de combustion et de ventilation de la cuisinière n'est pas obstruée

Vérifiez que tout le matériel et le ruban d'emballage a été retiré. Cela inclut le ruban sur le panneau métallique en dessous des boutons de commande (s'il y a lieu), le ruban adhésif, les attaches de câble, le carton et le plastique de protection. L'omission de retirer ce matériel posera un risque d'endommagement lorsque les surfaces de cet électroménager deviendront chaudes suite à sa mise en service.

REMARQUE : Il est recommandé de porter des lunettes de sécurité ou des lunettes étanches lors de l'installation de cet appareil.

REMARQUE : Au sein de GE Appliances, nous nous efforçons toujours d'améliorer nos produits. Ainsi, les matériaux, l'aspect et les spécifications peuvent être modifiés sans préavis.



DISTINCT BY DESIGN™

Instrucción de Instalación

Módulo Superior de Estufa

CGU366, CGU486

CONTENIDOS

Información de Seguridad	2
Información de diseño	
Dimensiones y Espacios del Producto.....	4
Información de instalación	
Kit Para Altitudes Elevada.....	7
Materiales Provistos	7
Materiales Requeridos (no provistos)	7
Herramientas Requeridas	7

Instalación	
Quite el Empaque.....	8
Recorte la Abertura de la Mesada	9
Instale el Módulo Superior de Estufa	10
Conversión a Gas Propano (LP) o a Gas Natural	10
Suministro de Gas.....	11
Conexiones Eléctricas	12
Controle los Quemadores	12
Controle las Cabezas de los Quemadores	12
Finalice la Instalación.....	13
Una Vez Completadas Todas las Conexiones	13

¿Preguntas? Visite cafeappliances.com.

Español

Información de Seguridad

¿Desea realizar una consulta o necesita ayuda con su electrodoméstico? ¡Intente a través del sitio Web de Café Monogram las 24 horas del día, cualquier día del año! También puede comprar más grandiosos productos de Café y sacar ventaja de todos nuestros servicios de soporte a través de Internet, diseñados para su conveniencia. En EE.UU.: cafeappliances.com

EN EL COMMONWEALTH DE MASSACHUSETTS

- Este producto debe ser instalado por un plomero licenciado o un mecánico gasista.
- Al usar un conector de gas flexible no deberá exceder los 5 pies.
- Al usar válvulas de cierre de gas tipo balón, deberán ser del tipo de manija T.

⚠ ADVERTENCIA RIESGO DE INCENDIO O EXPLOSIÓN

Si la información de este manual no se sigue exactamente, se podrá producir un incendio o explosión, ocasionando daños sobre la propiedad, lesiones o la muerte.

La instalación deberán ser realizadas por un instalador calificado.

Lea estas instrucciones en su totalidad y atentamente.

Esta estufa se deberá instalar de acuerdo con los códigos locales, o en la ausencia de códigos locales, con el Código de Gas Combustible Nacional, ANSI Z223.1/NFPA.54, última edición. En Canadá, la instalación deberá ser conforme con el Código de Instalación de Gas Natural actual, CAN/CGA-B149.1 o el Código de Instalación de Propano actual, CAN/CGA-B149.2, y con los códigos locales cuando corresponda. Esta estufa fue diseñada y certificada por CSA International, de acuerdo con ANSI Z21.1, última edición y con la Canadian Gas Association (Asociación de Gas de Canadá) CAN/CGA-1.1 última edición.

Al instalar un electrodoméstico a gas, el uso de conectores flexibles viejos puede ocasionar pérdidas y lesiones personales. Siempre use un conector flexible NUEVO.

La prueba de goteras del electrodoméstico se deberá realizar de acuerdo con las instrucciones del fabricante.

La estufa deberá estar correctamente conectada a tierra de acuerdo con los códigos y ordenanzas locales o, en ausencia de códigos locales, de acuerdo con el Código Nacional de Electricidad (National Electric Code), (ANSI/NFPA NO. 70., última edición). En Canadá, la conexión a tierra se deberá realizar de acuerdo con la Parte 1 del Código de Electricidad de Canadá CSA C22.1 y/o los códigos locales. En esta sección, consulte las Conexiones Eléctricas

No instale este producto con una campana con cortina de aire u otra campana de estufa que funcione llevando aire a la placa de cocción. El flujo de aire podrá interferir en el funcionamiento de los quemadores de gas, produciendo riesgos de incendio o explosión.

READ AND SAVE THESE INSTRUCTIONS

Información de Seguridad

ANTES DE COMENZAR

Lea estas instrucciones por completo y con detenimiento.

- **IMPORTANTE** — Conserve estas instrucciones para uso del inspector de electricidad local.
- **IMPORTANTE** — Cumpla con todos los códigos y ordenanzas gubernamentales.
- **IMPORTANTE** — Retire todo el material de embalaje y material escrito del horno antes de conectar el gas y el suministro de corriente a la estufa.
- **IMPORTANTE** — A fin de evitar daños en los gabinetes, controle con su constructor o proveedor de gabinetes que los materiales usados no descolorarán, deslaminarán ni sostendrán otro daño. Este horno fue diseñado de acuerdo con los requisitos de UL y CSA International y cumple con las temperaturas máximas permitidas para gabinetes de madera de 194° F (90° C).
- **Nota para el Instalador** — Asegúrese de que estas instrucciones queden en manos del comprador.
- **Nota para el Consumidor** — Guarde estas instrucciones para referencia futura.
- **Servicio Técnico** — El diagrama eléctrico se encuentra en un sobre adjunto al reverso de la estufa.
- La correcta instalación del producto es responsabilidad del instalador.
- Si se producen fallas en el producto debido a una instalación inadecuada, la Garantía no cubrirá las mismas.
- Antes de instalar su estufa sobre linóleo y cualquier otro revestimiento de piso sintético, asegúrese de que el revestimiento del piso resista los 180° F sin contraerse, combarse o descolorarse. No instale la estufa sobre alfombras, a menos que haya una hoja de contrachapado de un grosor de ¼" o un aislante similar entre la estufa y la alfombra.
- Para acceder a Piezas y Accesorios de Café, visite nuestro sitio web en cafeappliances.com.
- Si el módulo superior de estufa que recibió está dañado, se deberá comunicar con su vendedor minorista.

SI ESTE PRODUCTO ES PARA SER USADO FUERA DE LOS EE.UU. O CANADÁ

▲ ADVERTENCIA Si desea utilizar este producto con gas Líquido de Propano (LP) que contiene más de 10% de butano, usted deberá adquirir el kit del accesorio de conversión a Propano HA n° CXBUPR01. Para pedir, llame al 1.888.664.8403 o 1.787.276.4051. No hacerlo puede provocar un peligro de monóxido de carbono o de incendio.

COMBINACIONES DE CAPUCHAS DE VENTILACIÓN

Se requiere una campana superior de ventilación adecuada para los modelos con parilla y también se recomienda para todo los demás modelos.

Debido a la elevada capacidad de calor de esta unidad, debe prestarse especial atención a la instalación de la capucha y de la red de conductos para garantizar que cumpla con los códigos de construcción locales.

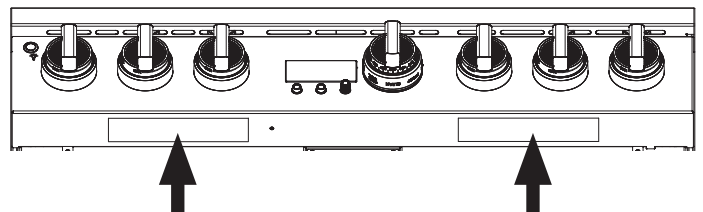
Distancias respecto de superficies horizontales sobre la estufa, medidas en relación a la superficie de cocción. No cumplir con esto puede provocar un peligro de incendio.

- Las instalaciones sin campana requieren un mínimo de 48" en relación a los combustibles.
- Una instalación de capucha a medida con superficies expuestas horizontales combustibles debe contar con una función de encendido automático.
- Para otras instalaciones con una capucha, consulte las instrucciones de instalación de capuchas sobre espacios específicos para capuchas.

▲ PRECAUCIÓN Estos módulos superiores de estufa son extremadamente pesados. Cierta desensamble reducirá el peso de forma considerable. Debido al peso y tamaño del módulo superior de estufa y a fin de reducir el riesgo de lesiones personales o daños sobre el producto:

ES NECESARIO CONTAR CON DOS PERSONAS PARA UNA CORRECTA INSTALACIÓN DEL MÓDULO SUPERIOR DE ESTUFA.

ES NECESARIO CONTAR CON TRES PERSONAS PARA UNA CORRECTA INSTALACIÓN DEL MÓDULO SUPERIOR DE ESTUFA DE 48"

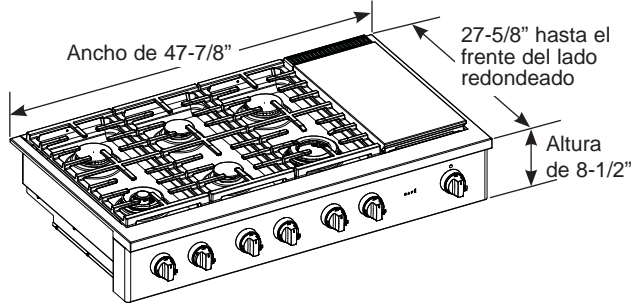


Ubicación de la Etiqueta de Especificaciones Técnicas

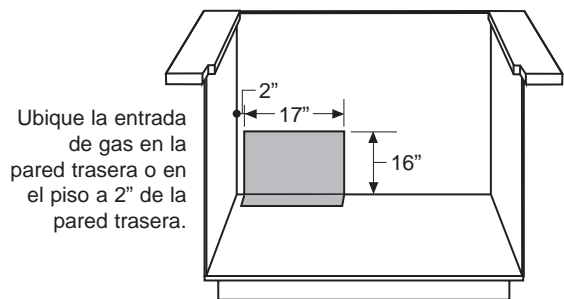
READ AND SAVE THESE INSTRUCTIONS

Información de diseño

DIMENSIONES Y ESPACIOS DEL PRODUCTO PARA MODELOS DE 48"



Ubicaciones de los servicios públicos



⚠ ADVERTENCIA

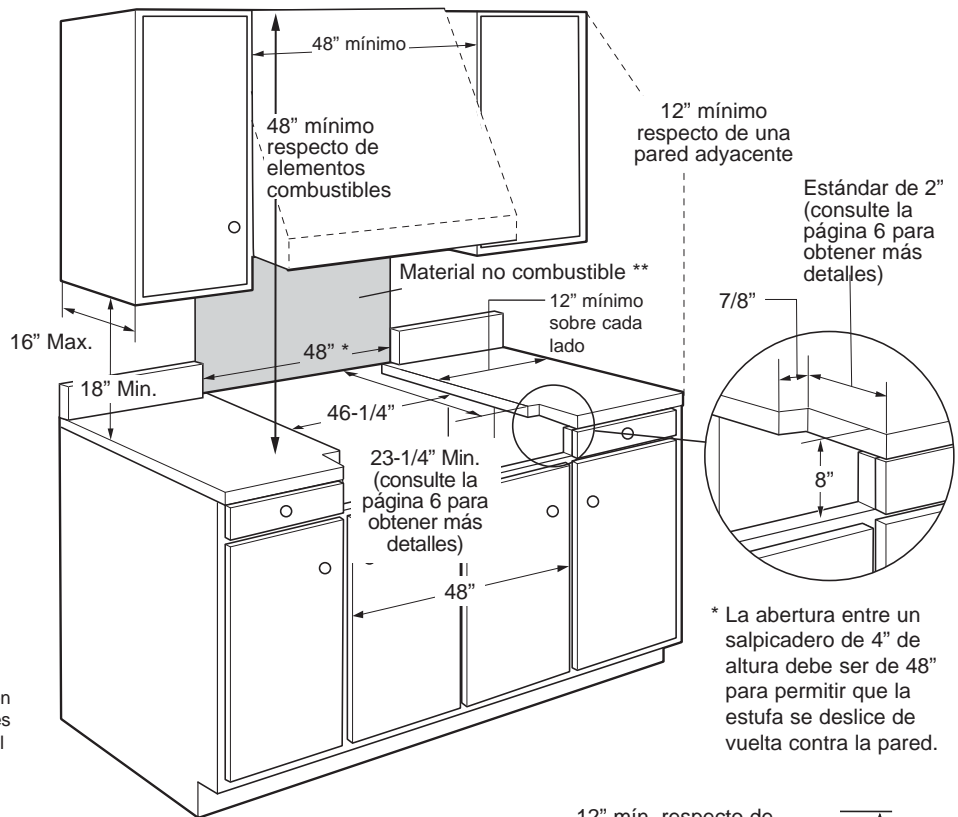
Las instalaciones sin capucha requieren un mínimo de 48" respecto de elementos combustibles. Una instalación de capucha a medida con superficies expuestas horizontales combustibles debe contar con una función de encendido automático. Consulte las instrucciones de instalación de la capucha para obtener espacios específicos de las capuchas.

La superficie de toda la pared trasera sobre la estufa y debajo de la campana deberá estar cubierta con un material no combustible tal como metal, azulejos de cerámica, ladrillo, mármol u otra piedra.

⚠ PRECAUCIÓN

Para evitar que una corriente de aire afecte el funcionamiento del quemador, selle todas las aberturas sobre el piso debajo del electrodoméstico y detrás de la pared del mismo.

** De acuerdo con lo definido por el National Fuel Gas Code (Código Nacional de Gas Combustible) (ANSI Z223.1/CSA B149.1, Edición Actual). Los espacios de despeje para materiales no combustibles no están dentro del alcance del ANSI Z21.1/CSA 1.1 y no están certificados por CSA. Los espacios de despeje inferiores a 12" deberán ser aprobados por los códigos locales y/o por la autoridad con jurisdicción.



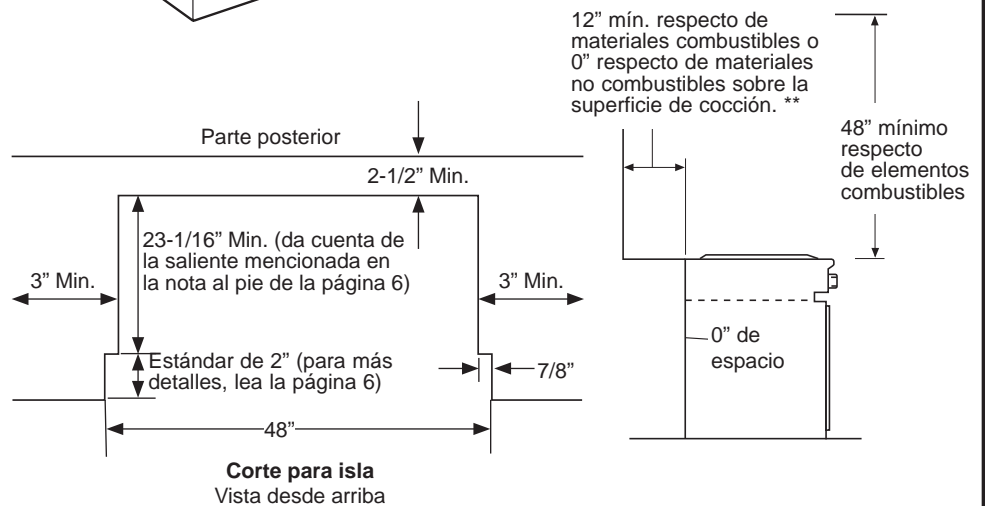
* La abertura entre un salpicadero de 4" de altura debe ser de 48" para permitir que la estufa se deslice de vuelta contra la pared.

ESPACIOS ADICIONALES:

Deje un espacio mínimo de 12" respecto de una pared adyacente sobre cada lado.

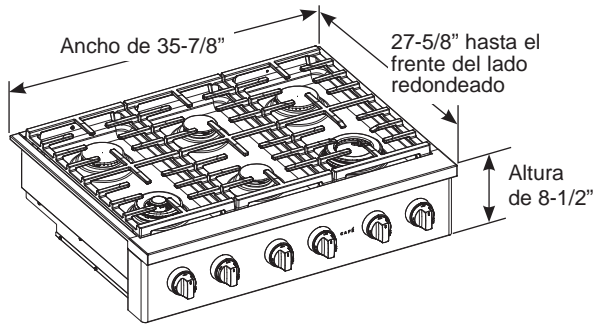
Las áreas de trabajo adyacentes a la estufa deben contar con un espacio mínimo de 18" entre el mostrador de encimera y la parte inferior del gabinete de pared.

Para la instalación de la isla, deje un espacio mínimo de 2-1/2" entre la abertura y el extremo trasero de la mesada y un mínimo de 3" entre la abertura y los extremos laterales de la mesada (ver la vista superior).

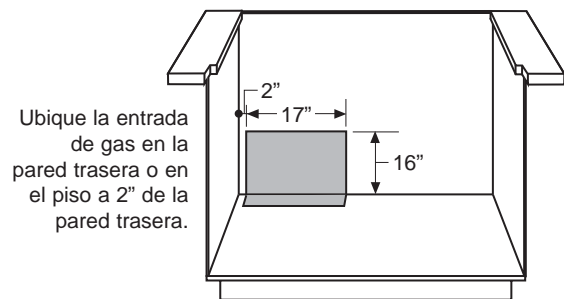


Información de diseño

DIMENSIONES Y ESPACIOS DEL PRODUCTO PARA MODELOS DE 36"



Ubicaciones de los servicios públicos



⚠ ADVERTENCIA

Las instalaciones sin capucha requieren un mínimo de 48" respecto de elementos combustibles. Una instalación de capucha a medida con superficies expuestas horizontales combustibles debe contar con una función de encendido automático. Consulte las instrucciones de instalación de la capucha para obtener espacios específicos de las capuchas. La superficie de toda la pared trasera sobre la estufa y debajo de la campana deberá estar cubierta con un material no combustible tal como metal, azulejos de cerámica, ladrillo, mármol u otra piedra.

⚠ PRECAUCIÓN

Para evitar que una corriente de aire afecte el funcionamiento del quemador, selle todas las aberturas sobre el piso debajo del electrodoméstico y detrás de la pared del mismo.

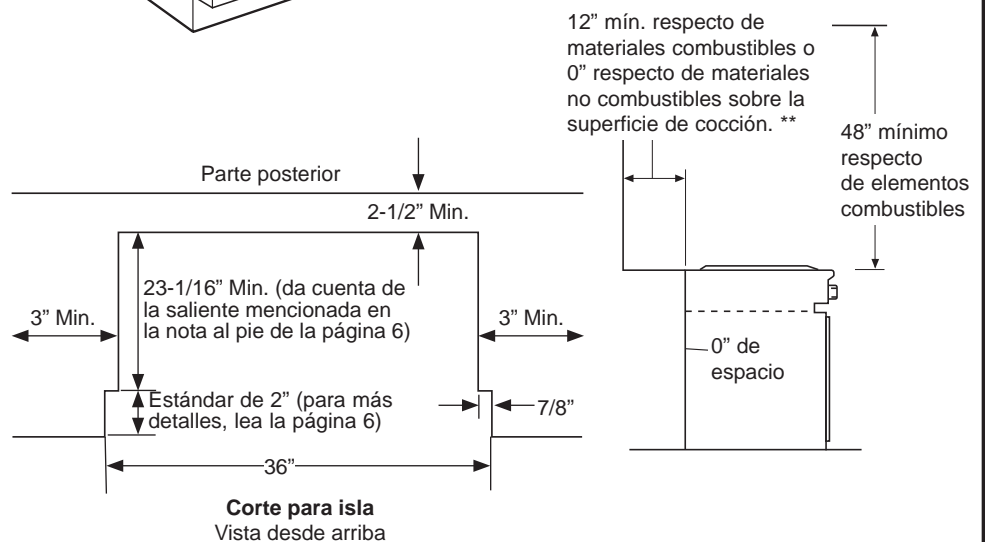
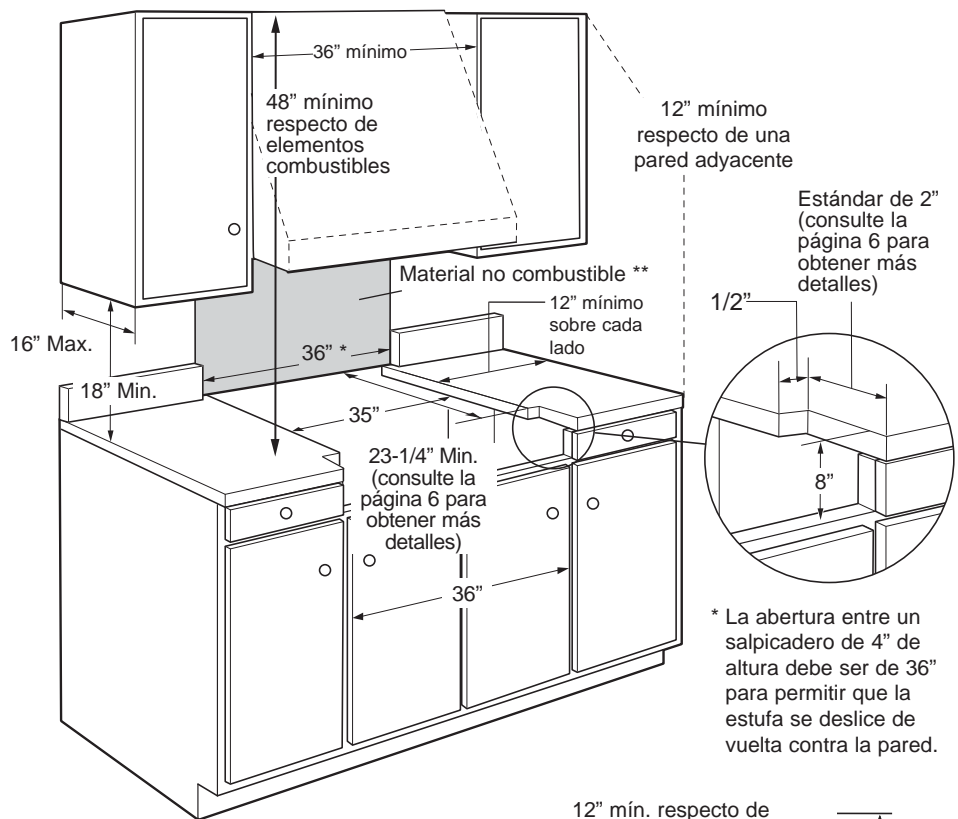
** De acuerdo con lo definido por el National Fuel Gas Code (Código Nacional de Gas Combustible) (ANSI Z223.1/CSA B149.1, Edición Actual). Los espacios de despeje para materiales no combustibles no están dentro del alcance del ANSI Z21.1/CSA 1.1 y no están certificados por CSA. Los espacios de despeje inferiores a 12" deberán ser aprobados por los códigos locales y/o por la autoridad con jurisdicción.

ESPACIOS ADICIONALES:

Deje un espacio mínimo de 12" respecto de una pared adyacente sobre cada lado.

Las áreas de trabajo adyacentes a la estufa deben contar con un espacio mínimo de 18" entre el mostrador de encimera y la parte inferior del gabinete de pared.

Para la instalación de la isla, deje un espacio mínimo de 2-1/2" entre la abertura y el extremo trasero de la mesada y un mínimo de 3" entre la abertura y los extremos laterales de la mesada (ver la vista superior).

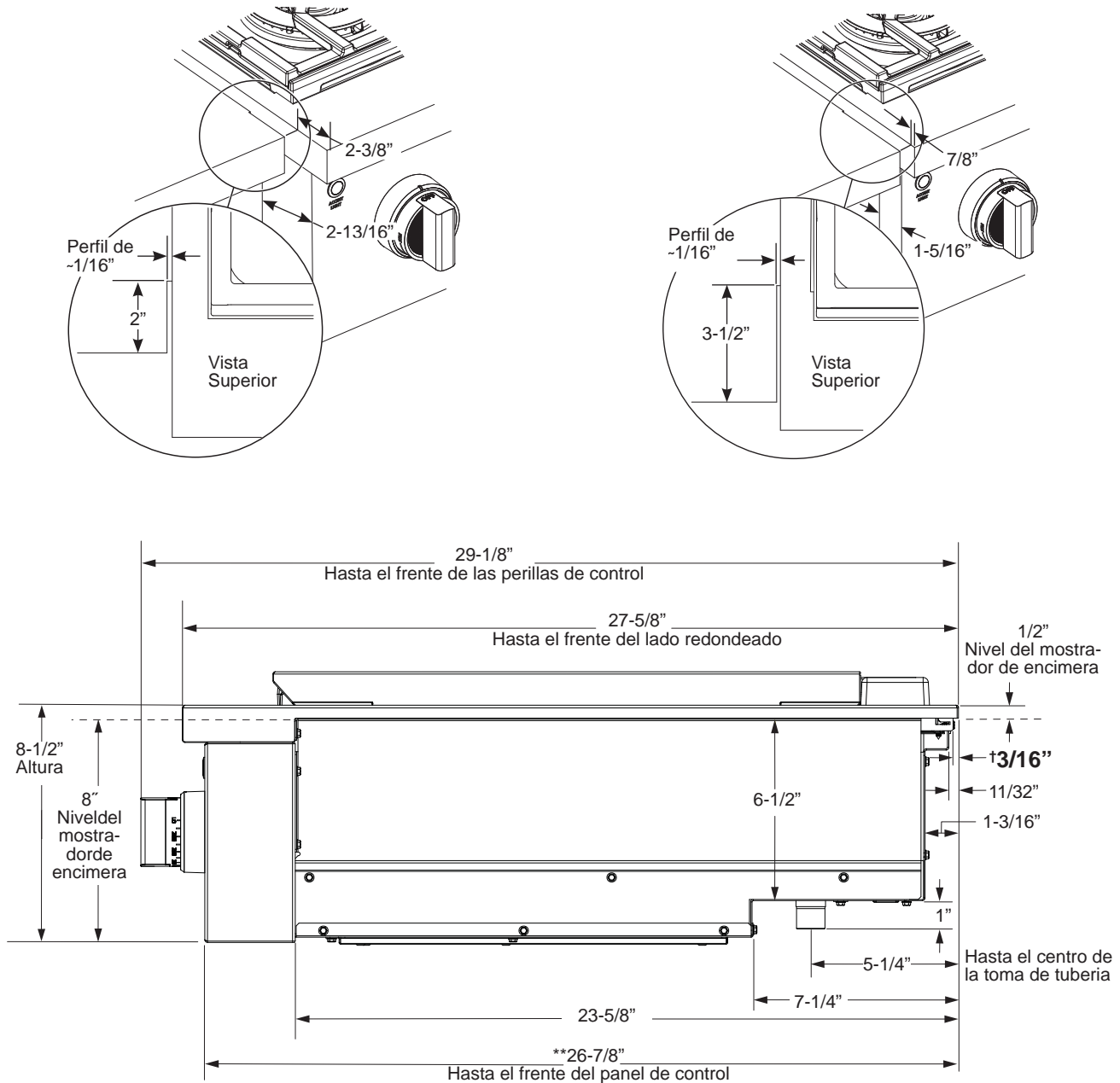


Información de diseño

DIMENSIONES Y ESPACIOS DEL PRODUCTO

Modelos de Módulo Superior de Estufa de 48» y 36»

El espacio libre Estándar de 2" al que se hace referencia en la página anterior funcionará con el panel de control y la media caña que se proyecta hacia adelante desde un gabinete de 24" de profundidad y el espacio libre de una encimera de una profundidad de 25 ¼" (saliente de 1 ¼"), como se muestra en la imagen izquierda más abajo. La dimensión de este espacio libre podrá cambiar para la superficie de cocción de la estufa a fin de estar más empotrado con un espacio libre de encimera de mayor profundidad, como se muestra en el ejemplo de la imagen sobre la derecha. Todas las dimensiones que figuran a continuación son aproximadas.



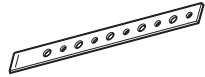
† Incluye la saliente del reborde trasero cuando el mostrador de encimera continúa por detrás del producto. La saliente es sólo decorativa. El peso de la estufa se encuentra sostenido por completo por los rebordes laterales.

Información de instalación

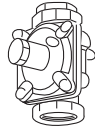
INSTALACIÓN EN ALTITUD ELEVADA

A más de 6000 pies, el producto configurado para gas natural o gas propano requerirá la instalación del kit (WB28X39728 para gas natural y WB28X39729 para gas propano). Siga las instrucciones provistas con el kit.

MATERIALES PROVISTOS



Abrazadera de sujeción

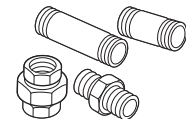


Regulador

MATERIALES REQUERIDOS (no provistos)



Sellador de Roscas de Tuberías



Accesorios de tubería



Válvula de apagado



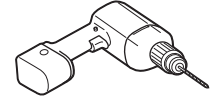
Longitud máxima de 5 pies, 5/8" DE. Suministro de gas de metal flexible aprobado por CSA

NOTA: Adquiera una línea flexible nueva; no utilice una línea de gas flexible previamente usada.

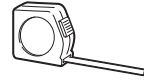
HERRAMIENTAS REQUERIDAS



Sierra sable



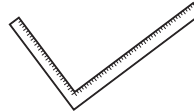
Perforadora y brocas apropiadas



Cinta de medir



Llave ajustable



Regla de carpintero



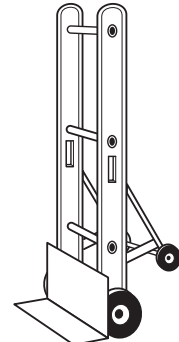
Llave de cubo o llave de 1/4"



Gafas de seguridad



Destornillador de estrella #2



Carretilla de mano



Nivel

Instalación

1 QUITAR EL EMPAQUE

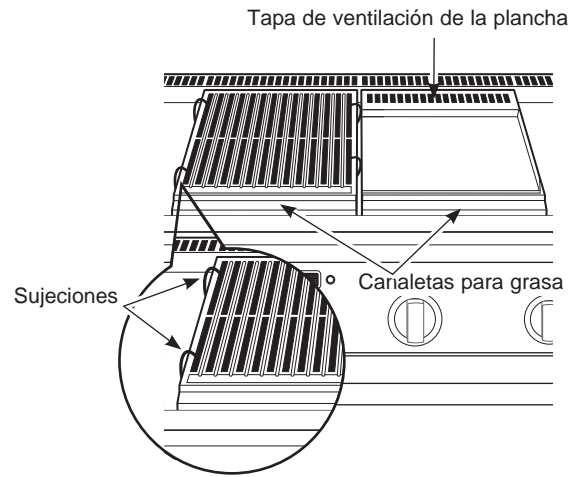
⚠ PRECAUCIÓN

Mantenga una distancia prudencial.

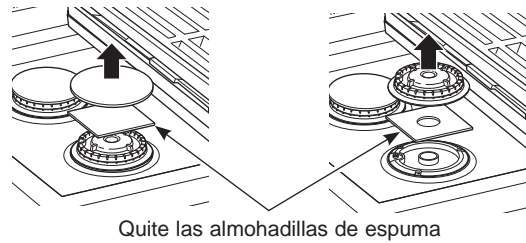
Cuando se cortan, los extremos de los precintos de metal pueden golpearlo.

- Corte los precintos de metal.
- Quite la cinta y la espuma de empaque. Deseche todos los materiales de empaque de manera adecuada.
- Quite las tapas de la parrilla/plancha, la rejilla de la parrilla y las rejillas de los quemadores.
- Levante y quite la tapa de ventilación de la plancha de hierro fundido, las canaletas para grasa y las almohadillas.

- Corte las sujeciones que sostienen la rejilla de la parrilla al armazón de la parrilla.



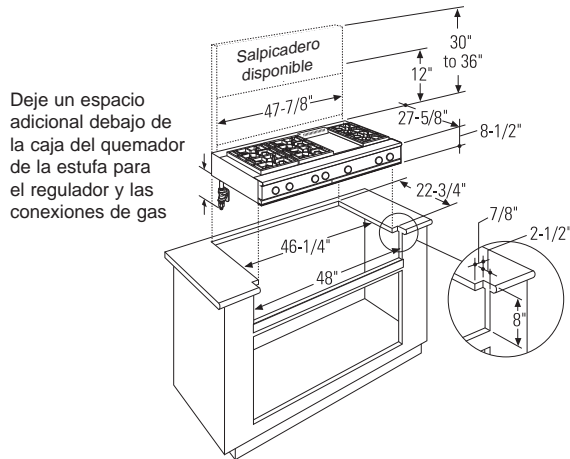
- Levante las tapas de los quemadores y quite las almohadillas de espuma, luego levante los cabezales de los quemadores y quite las almohadillas de espuma.



Quite las almohadillas de espuma

Instalación

2 CORTE LA ABERTURA DEL MOSTRADOR DE ENCIMERA

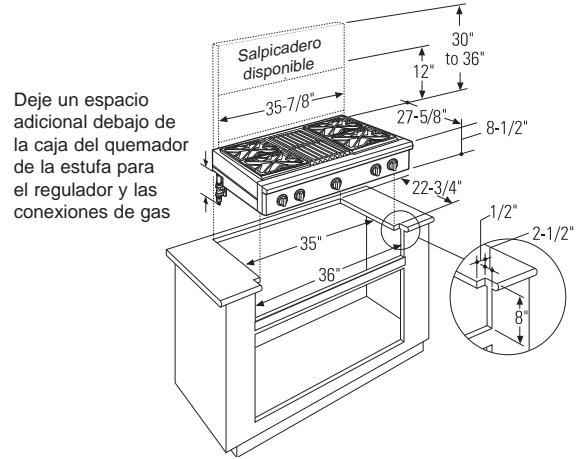


Los modelos de 48" de ancho se encuentran diseñados para usarse en gabinetes con una base de 48" o más.

Mida con mucho cuidado cuando corte el mostrador de encimera. Asegúrese de que los lados de la abertura sean paralelos.

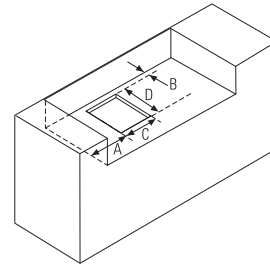
- Deje 8" de espacio libre debajo de la superficie superior del mostrador de encimera.
- Deje espacios adicionales debajo de la caja del quemador para instalar el regulador y para efectuar conexiones de suministro doméstico. Utilice un codo de 90° para guiar las conexiones de gas y para limitar la interferencia con los cajones y otros elementos de los gabinetes de estufa.
- Estas estufas están diseñadas para colgar del mostrador de encimera mediante las bridas laterales.
- Alise todos los bordes ásperos del mostrador de encimera antes de instalar la estufa.
 - Los bordes de los mostradores de encimera de fórmica deben estar acabados.

El mostrador de encimera debe ser lo suficientemente resistente para soportar el peso de la estufa.



Los modelos de 36" de ancho se encuentran diseñados para usarse en gabinetes con una base de 36" o más.

Abertura del Espacio Libre con Falso Fondo Opcional



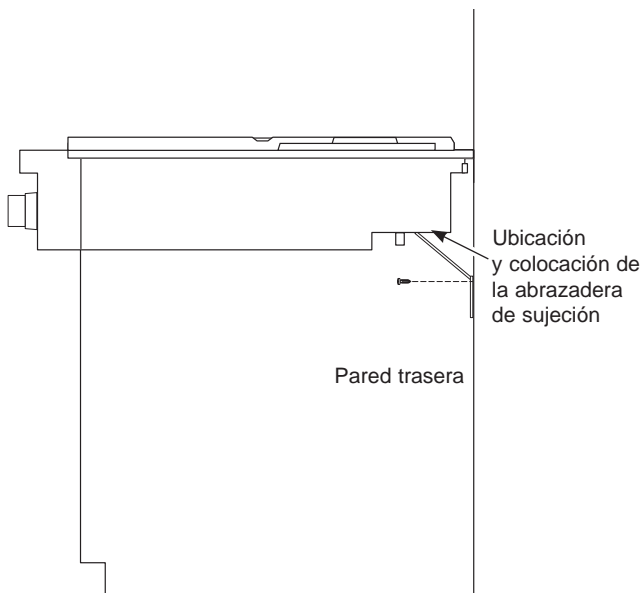
Dimensiones				
	A (Dia.)	B	C	D
Estufa de 36"	7-3/8"	1-1/2"	7-1/2"	11-1/8"
Estufa de 48"	8-1/4"	1-1/2"	7-1/2"	11-1/8"

- Puede construir el espacio libre con un falso fondo opcional, a fin de esconder la parte inferior del módulo superior de estufa. Un falso fondo opcional no deberá sostener con su estructura el módulo superior de cocina de ninguna manera, ya que fue diseñado para estar suspendido sobre la encimera sobre sus bridas laterales.
 - Construya el fondo falso un material sólido; corte un orificio de un diámetro de 7-1/2" x 11-1/8" en el extremo trasero izquierdo para la entrada de gas y para los espacios del cable de energía.

Instalación

3 INSTALE LA ESTUFA

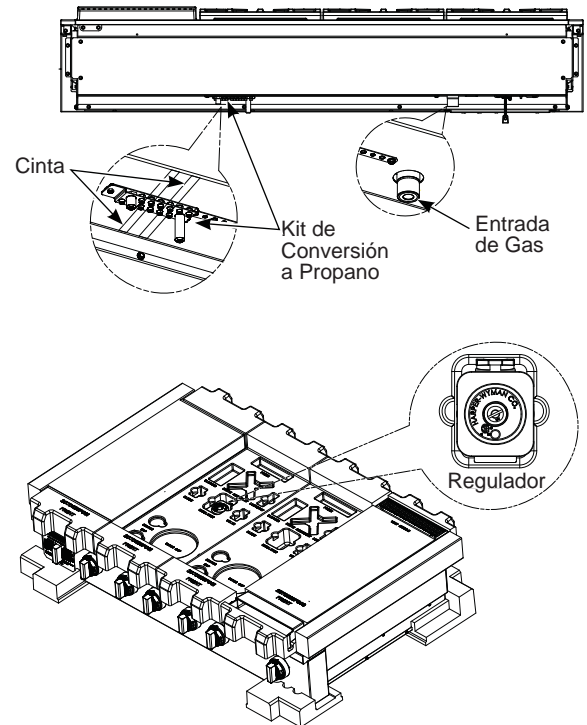
- Deslice la estufa dentro de la abertura. Asegúrese de que la estufa esté colocada y apoyada en forma pareja.
- Se provee una abrazadera de sujeción con tornillos para sujetar la estufa a las paredes del gabinete traseras o laterales.
- Quite la abrazadera de sujeción de la parte trasera de la estufa. Sujete un extremo de la abrazadera a la parte trasera de la estufa.
- Sujete el otro extremo de la abrazadera lo más alto posible sobre la pared trasera del gabinete o gabinete adyacente. Mantenga la abrazadera lo más corta posible para una mayor seguridad.



4 CONVERSIÓN A PROPANO (LP) O A GAS NATURAL

El regulador de presión y los orificios del quemador poseen una configuración de fábrica para gas natural. A fin de utilizar la superficie de cocción con propano (LP) el regulador y los orificios del quemador deberán estar cubiertos. La conversión deberá ser realizada por un instalador de gas propano (LP) calificado.

Guarde estas instrucciones y todo orificios en caso de que lo desee convertir nuevamente a gas natural.



Instalación

5 SUMINISTRO DE GAS

⚠ADVERTENCIA Riesgo de incendio: No use una llama para controlar las pérdidas de gas.

⚠ADVERTENCIA Riesgo de Explosión: No supere una torsión máxima de 25 pies-libras al realizar conexiones de tuberías de gas. Cualquier ajuste en exceso podrá dañar el regulador de presión, resultando en riesgo de incendio o explosión.

Regulador de Presión de Gas

Se deberá usar el regulador de presión de gas suministrado con esta superficie de cocción. Para un funcionamiento adecuado, la presión de entrada al regulador deberá ser la siguiente:

Gas Natural:

Presión mínima: Columna de Agua de 6"

Presión máxima: Columna de Agua de 13"

Gas Propano (LP):

Presión mínima: Columna de Agua de 11"

Presión máxima: Columna de Agua de 13"

Si no está seguro sobre cuál es la presión de entrada, comuníquese con el proveedor de gas local.

Cierre la válvula principal de suministro de gas antes de desconectar su vieja superficie de cocción y deje la misma apagada hasta que la nueva conexión se haya completado. No olvide volver a encender el piloto en otros electrodomésticos a gas cuando vuelva a encender el gas.

Debido a que las tuberías duras restringen el movimiento de la superficie de cocción, se recomienda el uso del conector para electrodomésticos de metal flexible con certificación internacional de CSA, a menos que los códigos locales requieran una conexión de tubería dura.

Si se usa el método de tubería dura, deberá alinear la misma con cuidado; la superficie de cocción no se podrá mover una vez realizada la conexión.

A fin de evitar pérdidas de gas, coloque el sellador de roscas de tuberías, o envuelva la cinta para roscas de tuberías con Teflón* alrededor de todas las roscas de tubería macho (externas).

- Instale el regulador de presión provisto directamente a la tubería de entrada de gas de la superficie de cocción. Consulte la flecha en la parte trasera del regulador para conocer la dirección del flujo de gas. Asegúrese de que la parte frontal del regulador esté mirando hacia el frente del gabinete, fácilmente accesible a través de las puertas del gabinete.
- Instale una válvula de cierre manual en la tubería de gas en una ubicación de fácil acceso a través de las puertas del gabinete.
- Una vez realizadas todas las conexiones, asegúrese de que todos los controles de gas estén en la posición de apagado y encienda la válvula de suministro principal de gas. Use un detector de pérdida de líquido en todas las uniones y conexiones, a fin de controlar pérdidas en el sistema.

*Teflón: Marca registrada por DuPont

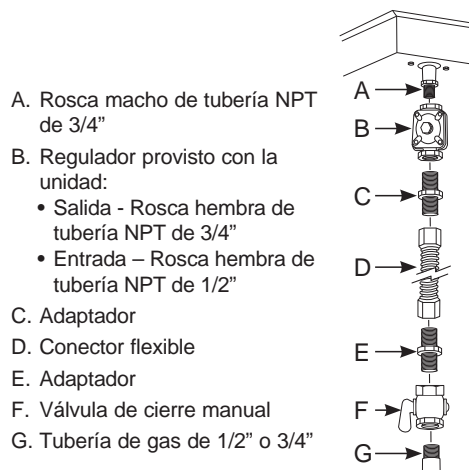
5 SUMINISTRO DE GAS (Cont.)

Al usar presiones superiores a ½ psig para controlar la presión del sistema de suministro de gas de la residencia, desconecte la superficie de cocción y la válvula de cierre individual de la tubería de suministro de gas. Al usar las presiones de prueba de ½ psig o menos para controlar el sistema de suministro de gas, simplemente aisle la superficie de cocción del sistema de suministro de gas, cerrando la válvula de cierre individual.

Al controlar el funcionamiento adecuado del regulador, la presión de entrada deberá ser por lo menos 1" mayor que la presión de funcionamiento (tubo) como en la etiqueta de calificación del producto.

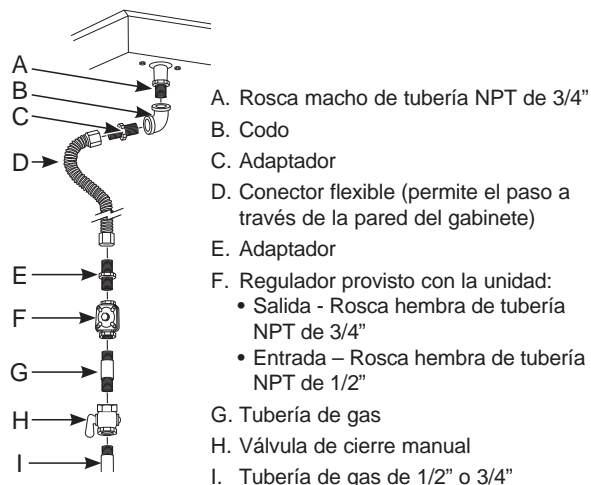
CONEXIÓN DEL CONECTOR

INSTALACIÓN TÍPICA SIN OBSTRUCCIONES DEBAJO DE LA SUPERFICIE DE COCCIÓN



- Rosca macho de tubería NPT de 3/4"
- Regulador provisto con la unidad:
 - Salida - Rosca hembra de tubería NPT de 3/4"
 - Entrada - Rosca hembra de tubería NPT de 1/2"
- Adaptador
- Conector flexible
- Adaptador
- Válvula de cierre manual
- Tubería de gas de 1/2" o 3/4"

INSTALACIÓN ALTERNATIVA CON OBSTRUCCIONES DEBAJO DE LA SUPERFICIE DE COCCIÓN



- Rosca macho de tubería NPT de 3/4"
- Codo
- Adaptador
- Conector flexible (permite el paso a través de la pared del gabinete)
- Adaptador
- Regulador provisto con la unidad:
 - Salida - Rosca hembra de tubería NPT de 3/4"
 - Entrada - Rosca hembra de tubería NPT de 1/2"
- Tubería de gas
- Válvula de cierre manual
- Tubería de gas de 1/2" o 3/4"

Instalación

6 CONEXIONES ELÉCTRICAS

⚠ADVERTENCIA Riesgo de Descarga: Este electrodoméstico deberá estar conectado a tierra de forma adecuada. Si no cumple con esto se podrán producir descargas eléctricas.

Requisitos Eléctricos - Circuito específico de 120 voltios, 60 Hertz, correctamente conectado a tierra por un disyuntor de 15 o 20 amperes o fusible de retraso.

NOTA: No se recomienda para este producto el uso de interruptores automáticos, inalámbricos o con cableado externo que apagan la corriente del electrodoméstico.

Conexión a Tierra

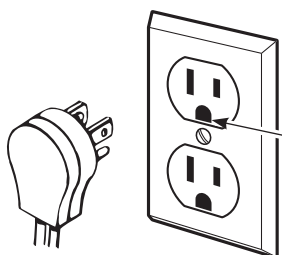
El cable de corriente de este electrodoméstico cuenta con un enchufe de 3 patas (conexión a tierra) que se conecta a un tomacorriente de pared estándar de 3 cables para minimizar la posibilidad de riesgos de descargas eléctricas por parte del mismo.

El cliente deberá contratar a un electricista calificado para que controle el circuito, a fin de asegurar que el tomacorriente esté correctamente conectado a tierra.

En caso de contar con un tomacorriente de pared de 2 cables, es la responsabilidad y obligación del cliente reemplazarlo por un tomacorriente de pared de 3 cables correctamente conectado a tierra.

NUNCA, BAJO NINGUNA CIRCUNSTANCIA, CORTE NI ELIMINE EL TERCER CABLE (TIERRA) DEL CABLE DE CORRIENTE. NO USE UN ADAPTADOR. NO USE UN PROLONGADOR.

No se requieren ni se recomiendan Interruptores con Detección de Falla a Tierra (GFCI) en receptáculos de estufas a gas. El funcionamiento de la estufa no se verá afectado si se utiliza en un circuito GFCI protegido, pero es posible que se produzcan detenciones ocasionales no deseadas del interruptor GFCI.

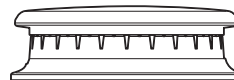


Asegúrese de contar con una conexión a tierra adecuada antes de usar.

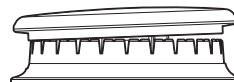
7 CONTROLE LOS QUEMADORES

⚠ADVERTENCIA Riesgo de Incendio o Explosión: No use el quemador sin que todas las partes de los quemadores estén en sus respectivos lugares.

- A. **Quemadores** - Coloque las cabezas de los quemadores en las posiciones correspondientes en la placa de cocción.
- B. **Tapas** - Coloque las tapas en los quemadores de los tamaños correspondientes.
- C. **Rejillas** - Las rejillas izquierda y derecha son intercambiables. Coloque las rejillas en la placa de cocción.



Tapa del quemador bien colocada



Tapa del quemador mal colocada

8 CONTROLE LAS CABEZAS DE LOS QUEMADORES

Presione y gire la perilla a la posición LITE (Luz). Un sonido de clic indica el correcto funcionamiento del sistema de encendido. Al iluminar cualquier quemador, se producirán chispas en todos los quemadores pero sólo saldrá gas del que fue seleccionado. Una vez que el aire se haya purgado de la línea de suministro, el quemador se deberá encender dentro de los 4 segundos. Luego de que el quemador se encienda, gire la perilla fuera de la posición LITE (Luz). Pruebe cada quemador de forma sucesiva hasta que todos los quemadores hayan sido controlados.

Calidad de las Llamas

Determine la calidad de las llamas de forma visual. Las llamas normales de los quemadores se deberán ver como (A) o (B).



(A) Llamas azul suave — Normal para gas natural



(B) Puntas amarillas en conos externos — Normal para el gas propano (LP)

Las llamas largas de color amarillo brillante no son normales. Las llamas normales podrán mostrar signos de un tinte anaranjado cuando estén bien quemadas, o signos de anaranjado parpadeante debido a las partículas del gas o del aire.

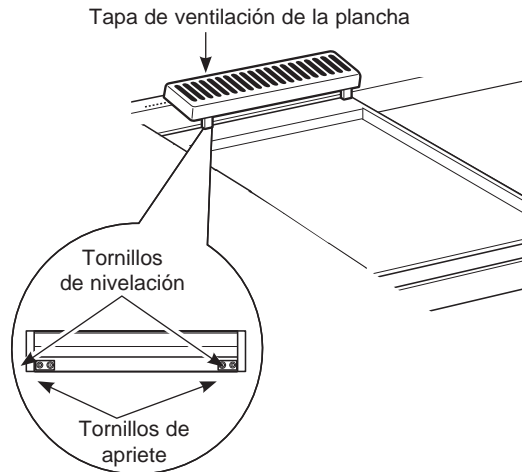
Instalación

FINALICE LA INSTALACIÓN

Coloque las rejillas de los quemadores sobre los quemadores. Las rejillas deben estar bien asentadas y no deben moverse.

La plancha se halla sujeta con tornillos. Se encuentra diseñada para permanecer en un lugar fijo y no debe quitarse.

La plancha cuenta con dos tornillos de nivelación debajo de tapa de ventilación trasera que pueden usarse para ajustar la inclinación deseada.



Los dos tornillos internos son tornillos de apriete para asegurar la plancha en su lugar. Afloje los dos tornillos antes de nivelar. No quite estos dos tornillos.

Los dos tornillos exteriores son tornillos de nivelación. No quite estos dos tornillos. Pueden girarse para nivelar la plancha o para brindar una inclinación hacia adelante para que las grasas y aceites se escurran de los alimentos que se están cocinando.

Después de nivelar la plancha, ajuste los tornillos de apriete a mano; no ajuste de más.

CUANDO TODAS LAS CONEXIONES SE HAYAN COMPLETADO

Asegúrese de que todos los controles queden en la posición de apagado. Asegúrese de que el flujo de la combustión y el aire de ventilación a la estufa estén desobstruidos.

Asegúrese que todos los materiales de empaque y cintas se hayan retirado. Esto incluye cintas sobre el panel metálico debajo de las perillas de control (si corresponde), cinta adhesiva, cintas para ajuste de cables, cartón y plástico protector. Si estos materiales no se retiran, se podrá producir como resultado un daño sobre el electrodoméstico, una vez que el mismo haya sido encendido y las superficies estén calientes.

NOTA: Al realizar las instalaciones descritas en este libro, se deberán usar anteojos o gafas de seguridad.

NOTA: L'amélioration des produits est un effort continu Café Appliances. Por lo tanto, los materiales, el aspecto y las especificaciones están sujetos a cambios sin aviso previo