



---

# MICROWAVE OVEN

## Use & Care Guide

For questions about features, operation/performance, parts, accessories or service, call: **1-866-698-2538** or visit our website at **[www.whirlpool.com/owners](http://www.whirlpool.com/owners)**.

In Canada, call: **1-800-807-6777**, or visit our website at **[www.whirlpool.ca/owners](http://www.whirlpool.ca/owners)**.

---

# FOUR À MICRO-ONDES

## Guide d'utilisation et d'entretien

Pour des questions à propos des caractéristiques, du fonctionnement/rendement, des pièces, accessoires ou service, composer le **1 866 698-2538** ou visiter notre site Web au **[www.whirlpool.com/owners](http://www.whirlpool.com/owners)**.

Au Canada, composer le : **1 800 807-6777** ou visiter notre site Web au **[www.whirlpool.ca/proprietaire](http://www.whirlpool.ca/proprietaire)**.

---

# HORNO MICROONDAS

## Manual de uso y cuidado

Si tiene preguntas sobre funciones, funcionamiento, rendimiento, piezas, accesorios o servicio técnico, llame al: **1-866-698-2538** o visite nuestro sitio web en **[www.whirlpool.com/owners](http://www.whirlpool.com/owners)**.

En Canadá, llame al: **1-800-807-6777** o visite nuestro sitio web en **[www.whirlpool.ca/owners](http://www.whirlpool.ca/owners)**.

# TABLE OF CONTENTS

<b>MICROWAVE OVEN SAFETY</b> .....	<b>4</b>
<b>INSTALLATION INSTRUCTIONS</b> .....	<b>6</b>
Unpacking .....	6
Location Requirements .....	6
Electrical Requirements .....	6
<b>MICROWAVE OVEN CONTROL</b> .....	<b>7</b>
<b>PARTS AND FEATURES</b> .....	<b>7</b>
Turntable.....	7
Keypad Instructions .....	8
Display .....	11
Standby mode.....	11
<b>START</b> .....	<b>11</b>
Express start/ Add 30 seconds.....	11
<b>STOP/UNLOCK</b> .....	<b>11</b>
To Use Non-Sensor Menu (Popcorn, Potato) .....	11
Clock .....	11
Timer.....	11
Mute On/Off.....	11
Cooking End.....	11
<b>MICROWAVE OVEN USE</b> .....	<b>12</b>
Food Characteristics .....	12
Cooking Guidelines .....	12
Cookware and Dinnerware.....	13
Aluminum Foil and Metal .....	13
Cooking Menu .....	13
Popcorn.....	13
Potato .....	14
Dinner Plate (Reheat Menu) .....	14
Soften/Melt.....	14
Melt Butter.....	14
Auto Defrost .....	14
Steam Clean.....	14
Keep Warm.....	15
<b>MICROWAVE OVEN CARE</b> .....	<b>15</b>
General Cleaning.....	15
<b>TROUBLESHOOTING</b> .....	<b>16</b>
<b>ASSISTANCE OR SERVICE</b> .....	<b>17</b>
In the U.S.A. ....	17
In Canada .....	17
Replacement Parts.....	17

# TABLE DES MATIÈRES

<b>SÉCURITÉ DU FOUR À MICRO-ONDES</b> .....	<b>19</b>
<b>INSTRUCTIONS D'INSTALLATION</b> .....	<b>21</b>
Déballage .....	21
Exigences d'Emplacement .....	21
Spécifications électriques .....	21
<b>PIÈCES ET CARACTÉRISTIQUES</b> .....	<b>22</b>
Plateau rotatif .....	22
<b>COMMANDES DU FOUR À MICRO-ONDES</b> .....	<b>22</b>
Instructions du clavier .....	23
Affichage .....	27
Mode veille .....	27
<b>START (MISE EN MARCHÉ)</b> .....	<b>27</b>
Express start/Add 30 seconds (Départage Express/ajouter 30 secondes) .....	27
<b>STOP/UNLOCK (ARRÊT/DÉVERROUILLAGE)</b> .....	<b>27</b>
Utilisation du menu sans détection (Popcorn, Potato [Maïs à éclater, Pommes de terre]).....	27
Clock (Horloge).....	27
Minuterie.....	27
Mute On/Off (Sourdine, marche/arrêt) .....	27
Fin de cuisson .....	27
<b>UTILISATION DU FOUR À MICRO-ONDES</b> .....	<b>28</b>
Caractéristiques des aliments.....	28
Guide de cuisson .....	28
Ustensiles de cuisson et vaisselle .....	29
Papier d'aluminium et métal .....	29
Cooking Menu (Menu de cuisson) .....	29
Popcorn (Maïs à éclater) .....	29
Potato (Pomme de terre).....	30
Dinner Plate (Assiettée) (Reheat Menu [Réchauffage]).....	30
Soften/Melt (Faire ramollir/Fondre) .....	30
Beurre fondu.....	30
Auto Defrost (Décongélation automatique) .....	30
Steam Clean (Nettoyage à la vapeur) .....	30
Keep Warm (Maintien au chaud).....	31
<b>ENTRETIEN DU FOUR À MICRO-ONDES</b> .....	<b>31</b>
Nettoyage général .....	31
<b>DÉPANNAGE</b> .....	<b>32</b>
<b>ASSISTANCE OU DÉPANNAGE</b> .....	<b>33</b>
Aux É.-U. ....	33
Au Canada.....	33
Pièces de rechange.....	33

---

# ÍNDICE

<b>SEGURIDAD DEL HORNO MICROONDAS</b> .....	<b>35</b>
<b>INSTRUCCIONES DE INSTALACIÓN</b> .....	<b>37</b>
Desempaque.....	37
Requisitos de ubicación.....	37
Requisitos eléctricos.....	37
<b>PIEZAS Y CARACTERÍSTICAS</b> .....	<b>38</b>
Bandeja giratoria .....	38
<b>CONTROL DEL HORNO MICROONDAS</b> .....	<b>38</b>
Instrucciones del teclado.....	39
Pantalla.....	43
Modo Standby (En espera) .....	43
<b>INICIO</b> .....	<b>43</b>
Express start/ Add 30 seconds (Inicio rápido/ Agregar 30 segundos).....	43
STOP/UNLOCK (PARAR/DESBLOQUEAR).....	43
Para utilizar el menú sin sensor (palomitas de maíz, papas).....	43
Clock (Reloj) .....	43
Timer (Temporizador) .....	43
Mute On/Off (Silencio Enc./Apag.).....	43
Fin de la cocción .....	43
<b>USO DEL HORNO MICROONDAS</b> .....	<b>44</b>
Características de los alimentos.....	44
Pautas para cocinar .....	44
Utensilios de cocina y vajilla .....	45
Papel de aluminio y metal.....	45
Cooking Menu (Menú de cocción).....	45
Popcorn (Palomitas de maíz) .....	46
Potato (Papa).....	46
Dinner Plate (Plato principal) Reheat Menu (Menú de recalentar). 46	
Soften/Melt (Ablandar/Derretir) .....	47
Derretir mantequilla .....	47
Auto Defrost (Descongelado automático).....	47
Steam Clean (Limpieza con vapor).....	47
Keep Warm (Mantener caliente).....	48
<b>CUIDADO DEL HORNO MICROONDAS</b> .....	<b>48</b>
Limpieza general .....	48
<b>SOLUCIÓN DE PROBLEMAS</b> .....	<b>49</b>
<b>ASISTENCIA O SERVICIO TÉCNICO</b> .....	<b>50</b>
En EE.UU. ....	50
En Canadá.....	50
Piezas de repuesto.....	50

# MICROWAVE OVEN SAFETY

## Your safety and the safety of others are very important.

We have provided many important safety messages in this manual and on your appliance. Always read and obey all safety messages.



This is the safety alert symbol.

This symbol alerts you to potential hazards that can kill or hurt you and others.

All safety messages will follow the safety alert symbol and either the word "DANGER" or "WARNING."

These words mean:

**⚠ DANGER**

You can be killed or seriously injured if you don't immediately follow instructions.

**⚠ WARNING**

You can be killed or seriously injured if you don't follow instructions.

All safety messages will tell you what the potential hazard is, tell you how to reduce the chance of injury, and tell you what can happen if the instructions are not followed.

## IMPORTANT SAFETY INSTRUCTIONS

When using electrical appliances basic safety precautions should be followed, including the following:

**WARNING:** To reduce the risk of burns, electric shock, fire, injury to persons, or exposure to excessive microwave energy:

- Read all instructions before using the microwave oven.
- Read and follow the specific "PRECAUTIONS TO AVOID POSSIBLE EXPOSURE TO EXCESSIVE MICROWAVE ENERGY" found in this section.
- The microwave oven must be grounded. Connect only to properly grounded outlet. See "GROUNDING INSTRUCTIONS" found in the "INSTALLATION INSTRUCTIONS" section.
- Install or locate the microwave oven only in accordance with the provided Installation Instructions.
- Some products such as whole eggs in the shell and sealed containers - for example, closed glass jars - are able to explode and should not be heated in the microwave oven.
- Use the microwave oven only for its intended use as described in the manual. Do not use corrosive chemicals or vapors in the microwave oven. This type of oven is specifically designed to heat, cook, or dry food. It is not designed for industrial or laboratory use.
- As with any appliance, close supervision is necessary when used by children.
- Do not operate the microwave oven if it has a damaged cord or plug, if it is not working properly, or if it has been damaged or dropped.
- The microwave oven should be serviced only by qualified service personnel. Call an authorized service company for examination, repair, or adjustment.
- Do not cover or block any openings on the microwave oven.
- Do not store this microwave oven outdoors. Do not use the microwave oven near water - for example, near a kitchen sink, in a wet basement, near a swimming pool, or similar locations.
- Do not immerse cord or plug in water.
- Keep cord away from heated surfaces.
- Do not let cord hang over edge of table or counter.
- See door surface cleaning instructions in the "Microwave Oven Care" section.
- To reduce the risk of fire in the oven cavity:
  - Do not overcook food. Carefully attend the microwave oven when paper, plastic, or other combustible materials are placed inside the oven to facilitate cooking.
  - Remove wire twist-ties from paper or plastic bags before placing bags in oven.
  - If materials inside the oven ignite, keep oven door closed, turn oven off, and disconnect the power cord, or shut off power at the fuse or circuit breaker panel.
  - Do not use the cavity for storage purposes. Do not leave paper products, cooking utensils, or food in the cavity when not in use.

## SAVE THESE INSTRUCTIONS

## IMPORTANT SAFETY INSTRUCTIONS

- Liquids, such as water, coffee, or tea are able to be overheated beyond the boiling point without appearing to be boiling. Visible bubbling or boiling when the container is removed from the microwave oven is not always present. THIS COULD RESULT IN VERY HOT LIQUIDS SUDDENLY BOILING OVER WHEN THE CONTAINER IS DISTURBED OR A SPOON OR OTHER UTENSIL IS INSERTED INTO THE LIQUID.

To reduce the risk of injury to persons:

- Do not overheat the liquid.
- Stir the liquid both before and halfway through heating it.
- Do not use straight-sided containers with narrow necks.
- After heating, allow the container to stand in the microwave oven for a short time before removing the container.
- Use extreme care when inserting a spoon or other utensil into the container.

## SAVE THESE INSTRUCTIONS

## PRECAUTIONS TO AVOID POSSIBLE EXPOSURE TO EXCESSIVE MICROWAVE ENERGY

- (a) Do not attempt to operate this oven with the door open since open-door operation can result in harmful exposure to microwave energy. It is important not to defeat or tamper with the safety interlocks.
- (b) Do not place any object between the oven front face and the door or allow soil or cleaner residue to accumulate on sealing surfaces.
- (c) Do not operate the oven if it is damaged. It is particularly important that the oven door close properly and that there is no damage to the:
  - (1) Door (bent),
  - (2) Hinges and latches (broken or loosened),
  - (3) Door seals and sealing surfaces.
- (d) The oven should not be adjusted or repaired by anyone except properly qualified service personnel.

This device complies with Part 18 of the FCC Rules.  
This device complies with Industry Canada ICES-001.

# INSTALLATION INSTRUCTIONS

## Unpacking

1. Empty the microwave oven of any packing materials.
2. Clean the inside with a soft, damp cloth.
3. Check for damage, such as:
  - A door that is not lined up correctly,
  - Damage around the door, or
  - Dents on the interior or exterior of the microwave oven.If there is any damage, do not operate the microwave oven until a designated service technician has checked it and made any needed repairs.

**NOTE:** To avoid damage to the microwave oven, **do not remove microwave inlet cover.** See the "Parts and Features" section.

## Location Requirements

### **⚠ WARNING**

#### **Excessive Weight Hazard**

**Use two or more people to move and install microwave oven.**

**Failure to do so can result in back or other injury.**

**IMPORTANT:** The control side of the microwave oven is the heavy side. Handle the microwave oven gently. The weight of the microwave oven is over 35 lbs (15.9 kg).

- Place the microwave oven on a cart, counter, table, or shelf that is strong enough to hold the microwave oven and the food and utensils you place inside it.
- The microwave oven should be at a temperature above 50°F (10°C) for proper operation.

**NOTE:** Some models can be built into a wall or cabinet by using one of the trim kits listed in the "Assistance or Service" section.

- Do not block the exhaust vents or air intake openings. Allow a few inches of space at the back and side of the microwave oven where the exhaust vents are located. Blocking the exhaust vents could cause damage to the microwave oven as well as poor cooking results.
- Make sure the microwave oven legs are in place to ensure proper airflow. If vents are blocked, a sensitive thermal device may automatically turn the microwave oven off. The microwave oven should work properly once it has cooled.

## Electrical Requirements

### **⚠ WARNING**



#### **Electrical Shock Hazard**

**Plug into a grounded 3 prong outlet.**

**Do not remove ground prong.**

**Do not use an adapter.**

**Do not use an extension cord.**

**Failure to follow these instructions can result in death, fire, or electrical shock.**

Observe all governing codes and ordinances.

#### **Required:**

- A 120 V, 60 Hz, AC only, 15 A or 20 A electrical supply with a fuse or circuit breaker.

#### **Recommended:**

- A time-delay fuse or time-delay circuit breaker.
- A separate circuit serving only this microwave oven.

## GROUNDING INSTRUCTIONS

#### **■ For all cord connected appliances:**

The microwave oven must be grounded. In the event of an electrical short circuit, grounding reduces the risk of electric shock by providing an escape wire for the electric current. The microwave oven is equipped with a cord having a grounding wire with a grounding plug. The plug must be plugged into an outlet that is properly installed and grounded.

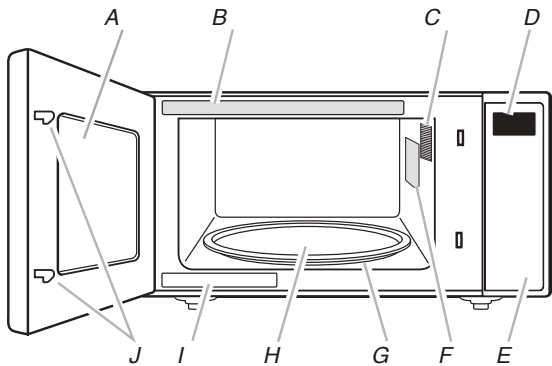
**WARNING:** Improper use of the grounding plug can result in a risk of electric shock. Consult a qualified electrician or serviceman if the grounding instructions are not completely understood, or if doubt exists as to whether the microwave oven is properly grounded.

Do not use an extension cord. If the power supply cord is too short, have a qualified electrician or serviceman install an outlet near the microwave oven. A short power supply cord is provided to reduce the risks resulting from becoming entangled in or tripping over a longer cord.

## SAVE THESE INSTRUCTIONS

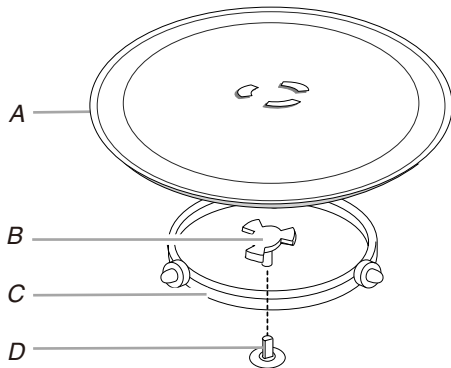
# PARTS AND FEATURES

This manual may cover several different models. The model you have purchased may have some or all of the features shown here. The appearance of your particular model may differ slightly from the illustrations in this manual.



- A. Window
- B. Cooking guide label
- C. Microwave oven light
- D. Display
- E. Control panel
- F. Microwave inlet cover
- G. Removable turntable support
- H. Glass turntable
- I. Model and serial number plate
- J. Door lock system

## Turntable



- A. Turntable
- B. Hub
- C. Support
- D. Shaft

The turntable can rotate in either direction to help cook food more evenly. For best cooking results, do not operate the microwave oven without having the turntable in place. See the "Assistance or Service" section to reorder any of the parts.

### To Install:

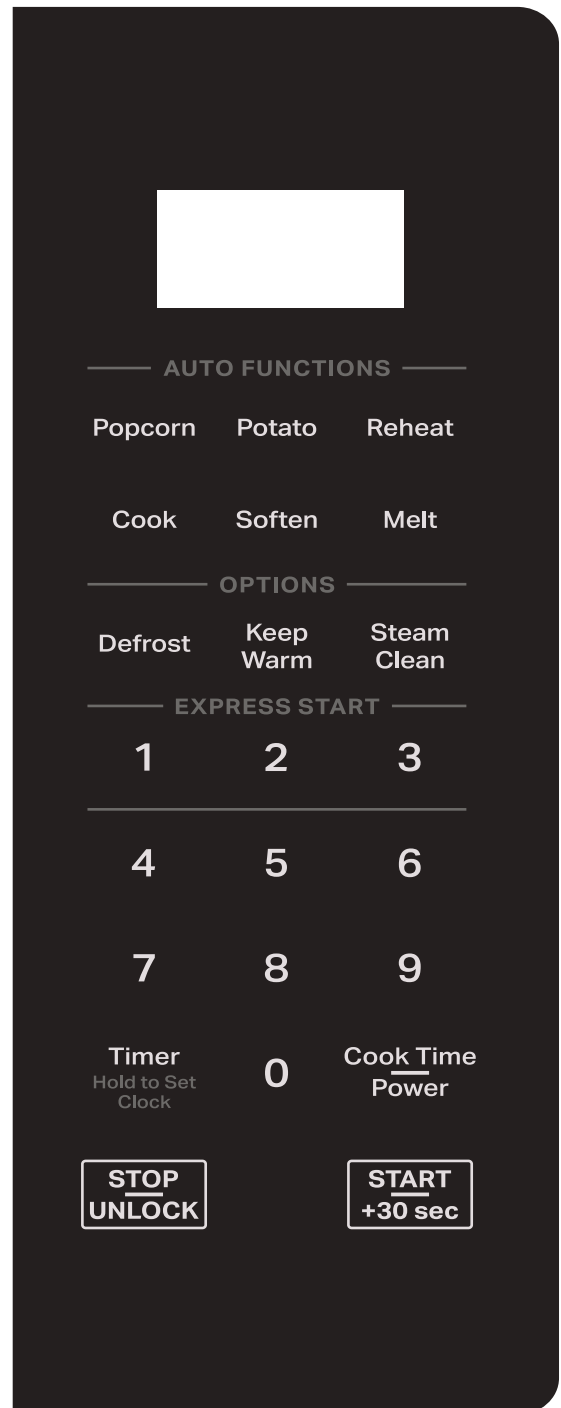
1. Place the support on the microwave oven cavity bottom.
2. Place the turntable on the support.  
Fit the raised, curved wedges in the center of the turntable bottom between the three spokes of the hub. The rollers on the support should fit inside the turntable bottom ridge.

# MICROWAVE OVEN CONTROL

MW Defrost Timer Qty Lbs



Lock Power Clock Mute Oz



## Keypad Instructions

Keypad	Feature	Instructions
Timer (Hold to Set Clock)	Hold to Set the Clock	To set the clock, follow the instructions below: <ol style="list-style-type: none"> <li>1. Press TIMER for 3 seconds to enter clock setting.</li> <li>2. Press the keypad 0-9 button to set the hour, press START button to confirm.</li> <li>3. Press the keypad 0-9 button to set the minute.</li> <li>4. Press START button.</li> </ol> <p><b>NOTE:</b> The microwave oven must be in standby. It will also appear every time the product is plugged in. The screen shows “12 Hr” ( “12” flashing), press timer button or keypad to toggle between 12 or 24 hour format, press START to confirm; then the screen shows “12:00”.</p>
Timer (Hold to Set Clock)	Set cooking Timer	The cooking timer functions like a stop watch. To set the cooking timer, following the instructions below: <ol style="list-style-type: none"> <li>1. Press Timer button.</li> <li>2. Press the keypad 0-9 button to enter desired time.</li> <li>3. Press START button.</li> </ol> <p><b>NOTE:</b> While the Timer countdown is active in the display, touch STOP/ UNLOCK to stop the Timer. The timer does not start or stop the microwave oven.</p>
START + 30 Sec	Add 30 Seconds	The button START can be used in two ways: <ol style="list-style-type: none"> <li>1. To start the microwave by cooking for 30 seconds with FULL power in standby mode.</li> <li>2. To increase a cooking time using increments of 30 seconds.</li> </ol> Each press adds 30 seconds.
START + 30 Sec	Start Function	Press the START button to start any cooking function. If cooking is interrupted by opening the door, touch the START button after the door is closed again to resume the cycle.
STOP/UNLOCK	Microwave Pause/Stop Function	The STOP/UNLOCK button stops any microwave oven function except for the clock. The microwave oven will also turn off when the door is opened. When the door is opened, the element(s) will turn off, but the microwave oven light will remain on. Close the door and touch the START button to resume the preset cycle.
STOP/UNLOCK	2-Step Door Opening	This microwave comes with the added feature of a 2-step door opening functionality to avoid unintended access. The STOP/UNLOCK button can be used to pause/cancel the function during or after cook time. The STOP/UNLOCK button can be used for 2-step door opening: <ol style="list-style-type: none"> <li>1. Once you set the cooking time and press the START button, the Door Lock icon will appear on the display.</li> <li>2. To open the microwave:                             <ul style="list-style-type: none"> <li>■ Press STOP/UNLOCK.</li> <li>■ Pull the door handle.</li> </ul> </li> </ol> <p><b>NOTE:</b> Once you press the STOP/UNLOCK button to stop/pause any function, the Door Lock icon will disappear for 10 seconds and you will be able to pull the door handle to open the door.                      The Door Lock icon will reappear after 10 seconds and require you to repeat steps 1 and 2 to open the door.  <b>NOTE:</b> When the machine is powered on after plug-in, the 2-Step Door function will not be triggered.                      If a cooking cycle starts after the door closes, then 2 steps are required to open the door. Once the 2 steps have been used to open the door, if the door closes and no cooking power is applied, then you can open the door by just pulling the door handle.</p>

Keypad	Feature	Instructions
		<p><b>NOTE:</b> This microwave comes with the added feature of a 2-step door opening functionality to avoid unintended access. When children do not have access to the appliance, there is a disable function if the 2-step functionality is not needed.</p> <p>Disable/Enable 2-step door function operation on the display:</p> <p>Steps to disable the 2-step door function operation:</p> <ol style="list-style-type: none"> <li>1. After pressing the STOP/UNLOCK button for 3 seconds, "DI:_0" will show on the display.</li> <li>2. After pressing the "0" button, "DI:_1" will show on the display.</li> <li>3. Press the START button to confirm.</li> </ol> <p><b>NOTE:</b> DI (Disable)</p> <p><b>NOTE:</b> If you unplug the microwave, it will remember the last operation. You will not need to disable or enable the 2 step door function again. Steps to enable the 2-step door function operation:</p> <p>Steps to enable the 2-step door function operation:</p> <ol style="list-style-type: none"> <li>1. After pressing the STOP/UNLOCK button for 3 seconds, "EA:_0" will show on the display.</li> <li>2. After pressing the "0" button, "EA:_1" will show on the display.</li> <li>3. Press the START button to confirm.</li> </ol> <p><b>NOTE:</b> EA (Enable)</p> <p><b>IMPORTANT:</b> Disabling this feature should only be done when the owner is certain and children are not present.</p>
0-9	Keypad Number	<p>User can press 0-9 keypad number to select cook time, food class, food weight. In standby mode, press the keypad button 1 or 2 or 3, the microwave oven at 100% power for 1 min, 2 min, 3 min of cook time directly. No need press START button to confirm.</p>
Cook Time/Power	Set Manual cooking time and power	<p>To set cooking time length and change power level:</p> <ol style="list-style-type: none"> <li>1. Press the Cook Time/Power button.</li> <li>2. Press the number buttons to set the length of cook time, for example 2:30, press number "2 3 0".</li> <li>3. Press the Cook Time/Power button again to change the power level.</li> <li>4. Press number buttons to set the power levels, for example press "8 0" to set the power level to 80%.</li> <li>5. Press START button to Start.</li> </ol> <p>You can skip step 3 and 4 if you want to cook at 100% power level.</p>
Keep Warm	Keep Warm	<p>The function allows to keep your dishes warm. To use:</p> <ol style="list-style-type: none"> <li>1. Press "Keep Warm" button, default time "30:00" will show on the display.</li> <li>2. Press "Keep Warm" or keypad 0-9 button to select 15 min, 30 min, 45 min or 60 min.</li> <li>3. Press Start button.</li> </ol> <p><b>NOTE:</b> The Keep Warm cycle last for a duration of 15minutes (default 30 minutes), the maximum time is 60 min. Each 15 min cycle, microwave will be turned on 1.5 min, then cavity lamp and fan are off, only the countdown time is shown.</p>
Steam Clean	Auto cleaning cycle	<p>The cleaning cycle will help to clean the microwave oven cavity</p> <ol style="list-style-type: none"> <li>1. Place 1 cup of water (~250mL) in the middle of the cavity.</li> <li>2. Press "Steam Clean" button, default "11:00" time will show on display</li> <li>3. Press the START button to start the function</li> </ol> <p>(After finishing the water heat-up cycle (8 min), the cavity lamp and fan will be off , the countdown time is shown.)</p> <p><b>NOTE:</b> Please follow Tips and Suggestions in Steam Clean section</p>
Steam Clean	Turn on or of beep sound	<p>The function allows to turn on or off the beep sound:</p> <ol style="list-style-type: none"> <li>1. Press STEAM CLEAN button and hold for 3 seconds to put into mute, the Mute Off icon will be shown on display</li> <li>2. Hold the button again for 3 seconds to turn on the sound.</li> </ol>

Keypad	Feature	Instructions
Defrost	Manual and Automatic Defrost	<p>The Defrost function helps thaw manually and frozen poultry, meat, fish automatically. To defrost, follow the instructions below:</p> <ol style="list-style-type: none"> <li>1. Press “Defrost” button, display will show “P01” for manual. User can press the “Defrost” button to increase food classes in cyclic manner. User can also press “Keypad Buttons” to insert the FOOD CLASS too</li> <li>2. Press keypad 0-9 button to adjust desired weight. (0.2-6.6lbs/0.1lbs for P02-P04)</li> <li>3. Press START button.</li> </ol>
Melt	Melt	<p>The Melt function is used to melt food. To use:</p> <ol style="list-style-type: none"> <li>1. Press “Melt”, the display will show “P1”</li> <li>2. Use “Melt” button or keypad 0-9 button to select a food category, see the Melt Menu section in this guide for the food category or reference the sticker on the front plate of the microwave. Press START button to confirm.</li> <li>3. Use keypad 0-9 button to adjust the quantity.</li> <li>4. Press START button.</li> </ol>
Soften	Soften	<p>The Soften function is used to soften butter. To use:</p> <ol style="list-style-type: none"> <li>1. Press “Soften”, the display will show “0.5” as default stick.</li> <li>2. Use “Soften” button or keypad 0-9 button adjust the quantity.</li> <li>3. Press START button.</li> </ol>
Cook	Auto cook	<p>For Cook mode, it is not necessary to set the time and power, follow the instructions below:</p> <ol style="list-style-type: none"> <li>1. Press “Cook “ button, the “P1” will show on the display.</li> <li>2. Use keypad 0-9 button or “Cook” to select a food category. See the Cook Menu section in this guide for the food category or reference sticker on the front plate of the microwaves.</li> <li>3. Press START button.</li> </ol> <p><b>NOTE:</b> During the cooking process, the display will show to Turn or Add Food (for some food only), press the STOP/UNLOCK button to trigger the unlock function and add or turn the food by pulling the door handle to open the door. By pressing the STOP/UNLOCK button again will stop the cooking function and microwave oven will switch to Standby mode.</p>
Reheat	Automatic Reheat	<p>To reheat using preset functions, follow the instructions below:</p> <ol style="list-style-type: none"> <li>1. Press the “Reheat” button, the “P1” will show on the display.</li> <li>2. Use keypad 0-9 button or “Reheat” to select a food category. See the REHEAT section in this guide for the food category or reference sticker on the front plate of the microwaves.</li> <li>3. Press the START button.</li> </ol>
Popcorn	Popcorn	<p>To use the popcorn preset, follow the instructions below:</p> <ol style="list-style-type: none"> <li>1. Press “Popcorn” button repeatedly to select the bag size (3.0 or 3.5 oz).</li> <li>2. Press START button.</li> </ol>
Potato	Potato cooking	<p>To use the potato preset, follow the instructions below:</p> <ol style="list-style-type: none"> <li>1. Press “Potato” button repeatedly to select L (Large) or S (Small) potato size.</li> <li>2. Press START to confirm, press keypad 0-9 button to adjust quantity.</li> <li>3. Press START button</li> </ol>

---

## Display

When power is first supplied to the microwave oven, “12 Hr” will appear in the display. User can press TIMER/Clock button or keypad 0-9 button to toggle between 12 Hr or 24 Hr within 10 seconds.

Press START button to confirm. If the “12:00” appears in the display at any other time, a power failure has occurred. Reset the clock if needed. See the “Clock” section.

---

## Standby mode

When no functions are being used, the microwave oven will switch to Standby mode.

After function selection, press the STOP/UNLOCK key to exit the function selection. If you again press the STOP/UNLOCK key it will be a invalid, as cooking mode is not activated.

When cooking mode is activated and the user presses the STOP/UNLOCK button, the STOP/UNLOCK functions will be triggered at the same time. Press the STOP/UNLOCK button again to cancel the function and return to Standby mode

---

## START

The START button begins any function. If non-sensor cooking is interrupted by opening the door, pressing START button will resume the cycle.

**NOTE:** To avoid unintentional operation of the microwave oven, a cooking function cannot be started if the microwave oven door has been closed for about 1 minute. The word “door” will appear in the display until the door is opened and closed.

---

## Express start/Add 30 seconds

In standby mode, pressing START automatically starts the microwave oven at 100% power for 30 seconds and adds 30 seconds of cook time, with each additional touch of the control. Time may be added to any manual cooking cycle in 30 second increments, at the moment power level, by pressing START button during cooking.

**NOTE:**

- Quick Start 30 sec: Press “Start/+ 30 sec”, it will quick start of full power in 30 sec; press again if you need to add more time mid cycle or at the end of the cycle.
  - Quick Minute Cooking: You can also press keypad 1-3 button to have full power cooking of the selecting minutes.
- 

## STOP/UNLOCK

The STOP/UNLOCK button clears any incorrect command and cancels any program during cooking. Press the STOP/UNLOCK button to stop the cycle. It will not erase the time of day.

The microwave oven will also turn off when the door is opened. Close the door and press START to resume the cycle.

---

---

## To Use Non-Sensor Menu (Popcorn, Potato)

1. Place food on the turntable and close the door.
  2. Touch desired menu control. The first programmed amount will appear in the display. Touch control keypad repeatedly or touch number keypads to change quantity.
  3. Touch START. When the cycle ends, “End” will appear in the display and the end-of-cycle tone will sound.
  4. Touch STOP/UNLOCK to clear the display.
- 

## Clock

The microwave oven must be in standby.

1. Press TIMER/Clock button for 3 seconds to enter clock setting. It will also appear every time the product is plugged into the power source, or power is back after a power fail.
  2. Press keypad 0-9 button to set the hour.
  3. Press START button to confirm.
  4. Press keypad 0-9 button to set the minute.
  5. Press START button to confirm the setting.
- 

## Timer

Kitchen Timer works like a stop watch.

To Set:

1. Press Timer/Clock button
2. Press keypad 0-9 button to enter desired time.
3. Press START button. When the set time ends, the end-of-timer.
4. When the Timer countdown is achieve in the display, tone will sound. Press STOP/UNLOCK to stop the timer.

**NOTE:** The Timer does not start or stop the microwave oven.

The function can be set only in Standby mode.

---

## Mute On/Off

This function allows the user to activate/deactivate all the sounds played by the appliances, includes button press, warnings, alarm, even end audio feedback.

Press Steam Clean button and hold for 5 seconds to put into mute, hold the button again for 3 seconds to turn on the sound.

---

## Cooking End

When the cooking is finished, the display will show the text “End”. A reminder acoustic beep will signal.

1. After the Cooking End, If you press the STOP/UNLOCK button, takes out the food and closes the door again, the interface will display the clock, it will switch to 1-step door opening.
  2. If you will not remove the food within 30 minutes, it will consistently display “END” for 30 minutes, and automatically return to standby mode and unlock after 30 minutes and it will switch to 1-step door opening.
-

---

# MICROWAVE OVEN USE

---

A magnetron in the microwave oven produces microwaves which reflect off the metal floor, walls, and ceiling and pass through the turntable and appropriate cookware to the food. Microwaves are attracted to and absorbed by fat, sugar, and water molecules in the food, causing them to move, producing friction and heat which cooks the food.

- To avoid damage to the microwave oven, do not lean on or allow children to swing on the microwave oven door.
- To avoid damage to the microwave oven, do not operate microwave oven when it is empty.
- Baby bottles and baby food jars should not be heated in microwave oven.
- Clothes, flowers, fruit, herbs, wood, gourds, and paper, including brown paper bags and newspaper, should not be dried in the microwave oven.
- Paraffin wax will not melt in the microwave oven because it does not absorb microwaves.
- Use oven mitts or pot holders when removing containers from microwave oven.
- Do not overcook potatoes. At the end of the recommended cook time, potatoes should be slightly firm. Let potatoes stand for 5 minutes. They will finish cooking while standing.
- Do not cook or reheat whole eggs inside the shell. Steam buildup in whole eggs may cause them to burst, requiring significant cleanup of microwave oven cavity. Cover poached eggs and allow a standing time.

---

## Food Characteristics

When microwave cooking, the amount, size and shape, starting temperature, composition and density of the food affect cooking results.

### Amount of Food

The more food heated at once, the longer the cook time needed. Check for doneness and add small increments of time if necessary.

### Size and Shape

Smaller pieces of food will cook more quickly than larger pieces, and uniformly shaped foods cook more evenly than irregularly shaped food.

### Starting Temperature

Room temperature foods will heat faster than refrigerated foods, and refrigerated foods will heat faster than frozen foods.

### Composition and Density

Foods high in fat and sugar will reach a higher temperature and will heat faster than other foods. Heavy, dense foods, such as meat and potatoes, require a longer cook time than the same size of a light, porous food, such as cake.

## Cooking Guidelines

### Covering

Covering food helps retain moisture, shorten cook time, and reduce spattering. Use the lid supplied with cookware. If a lid is not available, wax paper, paper towels, or plastic wrap approved for microwave ovens may be used. Plastic wrap should be turned back at one corner to provide an opening to vent steam. Condensation on the door and cavity surfaces is normal during heavy cooking.

### Stirring and Turning

Stirring and turning redistribute heat evenly to avoid overcooking the outer edges of food. Stir from outside to center. If possible, turn food over from bottom to top.

### Arranging

If heating irregularly shaped or different-sized foods, arrange the thinner parts and smaller-sized items toward the center. If cooking several items of the same size and shape, place them in a ring pattern, leaving the center of the ring empty.

### Piercing

Before heating, use a fork or small knife to pierce or prick foods that have a skin or membrane, such as potatoes, egg yolks, chicken livers, hot dogs, and sausage. Prick in several places to allow steam to vent.

### Shielding

Use small, flat pieces of aluminum foil to shield the thin pieces of irregularly shaped foods, bones and foods such as chicken wings, leg tips, and fish tails. See the "Aluminum Foil and Metal" section first.

### Standing Time

Food will continue to cook by the natural conduction of heat even after the microwave cooking cycle ends. The length of standing time depends on the volume and density of the food.

## Cookware and Dinnerware

Cookware and dinnerware must fit on the turntable. Always use oven mitts or pot holders when handling because any dish may become hot from heat transferred from the food. Do not use cookware and dinnerware with gold or silver trim. Use the following chart as a guide, then test before using.

Material	Recommendations
Aluminum Foil, Metal	See the "Aluminum Foil and Metal" section.
Browning Dish	Bottom must be at least 3/16" (5 mm) above the turntable. Follow manufacturer's recommendations.
Ceramic Glass, Glass	Acceptable for use
China, Earthenware	Follow manufacturer's recommendations.
Melamine	Follow manufacturer's recommendations.
Paper: Towels, Dinnerware, Napkins	Use non-recycled and those approved by the manufacturer for microwave oven use.
Plastic: Wraps, Bags, Covers, Dinnerware, Containers	Use those approved by the manufacturer for microwave oven use.
Pottery and Clay	Follow manufacturer's recommendations.
Silicone Bakeware	Follow manufacturer's recommendations.
Straw, Wicker, Wooden Containers	Do not use in microwave oven.
Wax Paper	Acceptable for use

### To Test Cookware or Dinnerware for Microwave Use:

- Place cookware or dinnerware in microwave oven with 1 cup (250 mL) of water beside it.
- Cook at 100% cooking power for 1 minute.

Do not use cookware or dinnerware if it becomes hot and the water stays cool.

## Aluminum Foil and Metal

Always use oven mitts or pot holders when removing dishes from the microwave oven.

Aluminum foil and some metal can be used in the microwave oven. If not used properly, arcing (a blue flash of light) can occur and cause damage to the microwave oven.

### OK for Use

Racks and bakeware supplied with the microwave oven (on some models), aluminum foil for shielding, and approved meat thermometers may be used with the following guidelines:

- To avoid damage to the microwave oven, do not allow aluminum foil or metal to touch the inside cavity walls, ceiling, or floor.
- Always use the turntable.
- To avoid damage to the microwave oven, do not allow contact with another metal object during microwave cooking.

### Do Not Use

Metal cookware and bakeware, gold, silver, pewter, non-approved meat thermometers, skewers, twist ties, foil liners such as sandwich wrappers, staples, and objects with gold or silver trim or a metallic glaze should not be used in the microwave oven.

## Cooking Menu

The microwave oven has been programmed with common microwave foods, their quantities, cook powers, and cook times. Use the following chart as a guide for preset cooking.

Item	Food Category	Quantity
P1	<b>Fresh Vegetables</b> From room temperature. Place in microwave-safe container. Add 2 tablespoons water to 1-2 cups, add 4 tablespoons water to 3-4 cups. Cover the dish, leaving an air ventilation. Stir and let stand 3 min after cooking.	1-4 cups
P2	<b>Frozen Vegetables</b> From frozen temperature. Place in microwave-safe container Add 2 tablespoons water to 1-2 cups, add 4 tablespoons water to 3-4 cups. Cover the dish, leaving an air ventilation. Stir and let stand 3 min after cooking.	1-4 cups
P3	<b>Oatmeal</b> Place in microwave-safe container and add water depends on package directions adds water cover with plastic wrap and fold back one edge about 1/4" (6 mm) to make a vent. Place container in the center of the oven. After cooking stir with spoon or whisk until uniform.	1-4 cups
P4	<b>Frozen Entrée</b> Remove entrée from package and loosen film covering on 3 sides of the container leaving one of the short sides still attached. Loosely cover with film. Allow the 10.5 and 20 oz (297 and 567 g) entrees to stand 3 minutes. Allow the 38 and 60 oz (1.1 and 1.7 kg) entrees to stand 5 minutes	10 oz, 20 oz, (283 g, 567 g)

## Popcorn

### 3.0 or 3.5 oz bags.

- Do not use regular paper bags or glassware
- Pop only one package of popcorn at a time.
- Follow manufacturer's instructions when using a microwave popcorn popper.
- Listen for popping to slow to one pop every 1 or 2 seconds, and then stop the cycle.
- Do not reppop unpopped kernels.
- For best results, use fresh bags of popcorn.
- Cooking results may vary by brand and fat content.

**NOTE:** Follow the instructions provided by the microwave popcorn manufacture.

## Potato

Item	Food Category	Quantity
L-Large Potato	Enter 1-4 pieces, 8-12 oz (227-340g) each. Pierce each potato several times with a fork. Place on paper towel on turable centre. Let stand 5 min after cooking.	1, 2, 3, 4 pieces / 1 piece
S-Small Potato	Enter 1-8 pieces, 3-5 oz (85-142g) each. Pierce each potato several times with a fork. Placed on paper towel on table centre. Leg stand 5 min after cooking.	1-8 pieces / 1 piece

## Dinner Plate (Reheat Menu)

Times and cooking powers have been preset for reheating a number of food types. Use the following chart as a guide.

Item	Food Category	Quantity
P1	<b>Dinner plate</b> Place food on plate. Cover with plastic wrap and vent. Let stand 2-3 minutes after reheating.	Large (289-440 g), Small
P2	<b>Soup</b> Place in microwave-safe container. Cover with plastic wrap and vent. Stir and let stand 2-3 minutes after reheating.	1, 2, 3, 4 cups
P3	<b>Beverage</b> Do not cover.	1, 2, 3, 4 cups
P4	<b>Reheat Pizza</b> Place on paper towel lined microwave-safe plate.	1-3 sliced, 4 oz (113 g) per slice

## Soften/Melt

Soften function may be used to soften your food. Times and cooking powers have been preset for a number of food types. Use the following chart as a guide.

Item	Food Category	Quantity
P1	<b>Butter</b> Unwrap and place in microwave-safe container.	0.5-2.0 sticks/0.5 stick

## Melt Butter

Melt function may be used to melt your food. Times and cooking powers have been preset for a number of food types. Use the following chart as a guide.

Item	Food Category	Quantity
P1	<b>Butter</b> Unwrap and place in microwave-safe container.	0.5-2.0 sticks/0.5 stick
P2	<b>Chocolate Chips</b> Place in microwave-safe container	4 oz, 6 oz, 8 oz, 12 oz (113-340 g / 113 g)
P3	<b>Cream Cheese</b> Unwrap and place in microwave-safe container	8 oz, 16 oz (227 g, 454 g)

## Auto Defrost

- For optimal result, food should be 0oF (-18oC) or colder when defrosting.
- Unwrap foods and remove lids (from fruit juice) before defrosting.
- Shallow packages will defrost more quickly than deep blocks.
- Separate food pieces as soon as possible during or at the end of the cycle for more even defrosting.
- Foods left outside the freezer for more than 20 minutes or frozen ready-made food should not be defrosted using the Defrost feature but should be defrosted manually.
- Use small pieces of aluminum foil to shield parts of food such as chicken wings, leg tips, and fish tails. See the "Aluminum Foil and Metal" section first.
- Times and cooking powers have been preset for defrosting a number of food types.

Item	Food Category	Weight
P1	Manual Defrost	----
P2	Poultry	0.2 lbs - 6.6 lbs / 0.1 lbs
P3	Meat	0.2 lbs - 6.6 lbs / 0.1 lbs
P4	Fish	0.2 lbs - 6.6 lbs / 0.1 lbs

Use the following chart as a guide when defrosting poultry, meat or fish

### DEFROST PREPARATION CHART

#### POULTRY

<b>Chicken:</b> whole and cut up	Place in a microwave safe container, chicken breast side up. Remove giblets from whole chicken.
<b>Cornish hens</b>	
<b>Turkey:</b> breast	

#### MEAT

<b>Beef:</b> ground, steaks, roast, stew	The narrow or fatty areas of irregular-shaped cuts should be shielded with foil before defrosting. Do not defrost less than 1/4 lb (113 g) or two 4 oz (113 g) patities. Place all meats in a microwave-safe container.
<b>Lamb:</b> stew and chops	
<b>Pork:</b> chops, ribs, roasts, sausage	

## Steam Clean

This automatic cleaning cycle will help you to clean the microwave oven cavity and to remove unpleasant odors.

#### Before starting the cycle:

- Put 250 mL water into a container (see our recommendations in the below section "Tips and suggestions").
- Place the container directly on the middle of the cavity.

#### To Start The Cycle:

- Press the Steam Clean button, the cleaning cycle duration will be visible on the display.
- Press the Start button to start the function.

#### When The Cycle Is Finished:

- Press the Cancel button.
- Remove the container.
- Use a soft cloth or a paper towel with mild detergent to clean the interior surfaces.

### Tips and suggestions:

For a better cleaning result, it is recommended to use a container with a diameter of 17-20 cm, and a height that is lower than 6.5 cm.

It is recommended to use a container of light plastic material that is suitable for the microwave.

As the container will be hot after the cleaning cycle is completed, it is recommended to use a heat resistant glove when removing the container from the microwave.

For a better cleaning effect and removal of unpleasant odors, add some lemon juice or vinegar to the water.

## Keep Warm

This function allows you to keep your dishes warm.

1. Press "Keep Warm" button
2. Press +/- button to select suitable time (15, 30, 45, 60 min), then press START button to start. Default time is 30min, max. time is 60 min.

Food	Weight Container	Temperature	Container
Tuna	4 cups (880 g)	165F (73.8 C)	Microwave safe dish
Noodle			
Casserole			

# MICROWAVE OVEN CARE

## General Cleaning

**IMPORTANT:** Before cleaning, make sure all controls are off and the microwave oven is cool. Always follow label instructions on cleaning products.

Soap, water, and a soft cloth or sponge are suggested unless otherwise noted.

### MICROWAVE OVEN CAVITY

To avoid damage to the microwave oven cavity, do not use soap-filled scouring pads, abrasive cleaners, steel-wool pads, gritty washcloths, or some recycled paper towels.

To avoid damage to stainless steel models, rub in direction of grain.

The area where the microwave oven door and frame touch when closed should be kept clean.

#### Average soil

- Mild, nonabrasive soaps and detergents:  
Rinse with clean water and dry with soft, lint-free cloth.

#### Heavy soil

- Mild, nonabrasive soaps and detergents:  
Heat 1 cup (250 mL) of water for 2 to 5 minutes in microwave oven. Steam will soften soil. Rinse with clean water and dry with soft, lint-free cloth.

#### Odors

- Lemon juice or vinegar:  
Heat 1 cup (250 mL) of water with 1 tbs (15 mL) of either lemon juice or vinegar for 2 to 5 minutes in microwave oven.

#### Microwave Inlet Cover

To avoid arcing and microwave oven damage, the microwave inlet cover (see the "Parts and Features" section) should be kept clean.

- Wipe with wet cloth.

### MICROWAVE OVEN DOOR AND EXTERIOR

The area where the microwave oven door and frame touch when closed should be kept clean.

- Mild, nonabrasive soaps and detergents:  
Rinse with clean water and dry with soft, lint-free cloth.
- Glass cleaner and paper towels or nonabrasive plastic scrubbing pad:  
Apply glass cleaner to towel, not directly to surface.

#### Stainless Steel (on some models)

To avoid damage to microwave oven door and exterior, do not use soap-filled scouring pads, abrasive cleaners, steel-wool pads, gritty washcloths, or some paper towels. Rub in direction of grain.

- Stainless steel cleaner (not included):  
See "Assistance or Service" section to order.
- Liquid detergent or all-purpose cleaner:  
Rinse with clean water and dry with soft, lint-free cloth.
- Vinegar for hard water spots

### CONTROL PANEL

- Sponge or soft cloth and water:  
Dampen sponge with water and wipe panel. Dry with soft cloth.
- To avoid damage to the control panel, do not use chemical or abrasive cleansers.

### TURNTABLE

Replace turntable immediately after cleaning. Do not operate the microwave oven without the turntable in place.

- Mild cleanser and scouring pad
- Dishwasher

# TROUBLESHOOTING

First try the solutions suggested here. If you need further assistance or more recommendations that may help you avoid a service call, refer to the warranty or visit [www.whirlpool.com/owners](http://www.whirlpool.com/owners). In Canada [www.whirlpool.ca/owners](http://www.whirlpool.ca/owners). Contact us by mail with any questions or concerns at the address below:

In the U.S.A.:

Whirlpool Brand Home Appliances  
Customer eXperience Center  
553 Benson Road Benton Harbor, MI 49022-2692

Please include a daytime phone number in your correspondence.

In Canada:

Whirlpool Brand Home Appliances  
Customer eXperience Center  
200 – 6750 Century Ave.  
Mississauga, Ontario L5N 0B7

If you experience	Recommended Solutions
Nothing will operate	<p><b>Check the following:</b></p> <ul style="list-style-type: none"> <li>■ <b>Household fuse or circuit breaker:</b> If a household fuse has blown or a circuit breaker has tripped, replace the fuse or reset the circuit breaker. If the problem continues, call an electrician.</li> </ul>
Microwave oven will not operate	<p><b>Check the following:</b></p> <ul style="list-style-type: none"> <li>■ <b>Magnetron:</b> Try to heat 1 cup (250 mL) of cold water for 2 minutes at 100% cooking power. If water does not heat, try the steps in the bullets below. If microwave oven still does not operate, call for service.</li> <li>■ <b>Door:</b> Firmly close door. On some models, if a packaging spacer is attached to the inside of the door, remove it, then firmly close door. If a message about the door appears in the display, the door has been closed for 5 minutes or more without the microwave oven being started. This occurs to avoid unintended starting of the microwave oven. Open and close the door, then start the cycle.</li> <li>■ <b>Control:</b> Make sure control is set properly. Make sure Control Lock is OFF. Make sure Demo mode (on some models) is OFF.</li> </ul>
Microwave oven makes humming noise	<ul style="list-style-type: none"> <li>■ This is normal and occurs when the power supply in the magnetron cycles on.</li> </ul>
Microwave oven door looks wavy	<ul style="list-style-type: none"> <li>■ This is normal and will not affect performance.</li> </ul>
Turntable will not operate	<p><b>Check the following:</b></p> <ul style="list-style-type: none"> <li>■ <b>Turntable:</b> Make sure turntable is correct side up and is sitting securely on the turntable support. See the “Turntable” section.</li> <li>■ <b>Turntable support:</b> Remove turntable. Remove and clean turntable hub, support, and rollers. Replace hub, support, and turntable. Place 1 cup (250 mL) of water on the turntable, then restart microwave oven. If it still is not working, call for service. See the “Warranty” section. Do not operate the microwave oven without turntable and turntable support working properly.</li> </ul>
Turntable alternates rotation directions	<ul style="list-style-type: none"> <li>■ This is normal and depends on motor rotation at the beginning of the cycle.</li> </ul>
Display shows time countdown, but the microwave oven is not operating	<p><b>Check the following:</b></p> <ul style="list-style-type: none"> <li>■ <b>Timer:</b> See the “Timer” section.</li> </ul>
Tones are not sounding	<p><b>Check the following:</b></p> <ul style="list-style-type: none"> <li>■ <b>Tones:</b> See the “Tones” section.</li> </ul>
Cooking times seem too long	<p><b>Check the following:</b></p> <ul style="list-style-type: none"> <li>■ <b>Cooking power:</b> See the “Microwave Cooking Power” section.</li> <li>■ <b>Amount of food:</b> Larger amounts of food need longer cooking times.</li> <li>■ <b>Voltage:</b> Have a qualified electrician check the electrical system in the home.</li> </ul>
Radio, TV, or cordless phone interference	<p><b>Check the following:</b></p> <ul style="list-style-type: none"> <li>■ <b>Proximity:</b> Move the receiver away from the microwave oven or adjust the radio or TV antenna. If the microwave oven is plugged into the same outlet, try a different outlet for the electronic device.</li> <li>■ <b>Soil:</b> Make sure the microwave oven door and sealing surfaces are clean.</li> <li>■ <b>Frequency:</b> Some 2.4 GHz based cordless phones and home wireless networks may experience static or noise while microwave oven is ON. Use a corded phone, a different frequency cordless phone, or avoid using these items during microwave oven operation.</li> </ul>

---

# ASSISTANCE OR SERVICE

---

## If you need service:

Please refer to the warranty.

## If you need replacement parts:

If you need to order replacement parts, we recommend that you use only factory specified parts. These factory specified parts will fit right and work right because they are made with the same precision used to build every new Whirlpool appliance.

To locate factory specified parts in your area, call us or your nearest Whirlpool® designated service center.

---

## In the U.S.A.

Call the Whirlpool Customer eXperience Center toll-free: **1-866-698-2538** or visit our website at **[www.whirlpool.com/owners](http://www.whirlpool.com/owners)**.

### Our consultants provide assistance with:

- Scheduling of service. Whirlpool® appliances designated service technicians are trained to fulfill the product warranty and provide after-warranty service anywhere in the United States.
- Features and specifications on our full line of appliances.
- Referrals to local Whirlpool® appliance dealers.
- Installation information.
- Use and maintenance procedures.
- Accessory and repair parts sales.
- Specialized customer assistance (Spanish speaking, hearing impaired, limited vision, etc.).

### For further assistance:

If you need further assistance, you can write to Whirlpool with any questions or concerns at:

Whirlpool Brand Home Appliances  
Customer experience Center  
553 Benson Road  
Benton Harbor, MI 49022-2692

Please include a daytime phone number in your correspondence.

## In Canada

Call the Whirlpool Customer eXperience Center toll-free: **1-800-807-6777** or visit our website at **[www.whirlpool.ca/owners](http://www.whirlpool.ca/owners)**.

### Our consultants provide assistance with:

- Scheduling of service. Whirlpool® appliances designated service technicians are trained to fulfill the product warranty and provide after-warranty service anywhere in Canada.
- Features and specifications on our full line of appliances.
- Referrals to local Whirlpool® appliance dealers.
- Use and maintenance procedures.
- Accessory and repair parts sales.

### For further assistance:

If you need further assistance, you can write to Whirlpool with any questions or concerns at:

Customer eXperience Center  
Whirlpool Canada  
200 – 6750 Century Ave.  
Mississauga, Ontario L5N 0B7

Please include a daytime phone number in your correspondence.

---

## Replacement Parts

Glass Turntable  
Part Number W11755303

Turntable Support and Rollers  
Part Number W11755305

Turntable Hub  
Part Number W11755304

# WHIRLPOOL® MAJOR APPLIANCE LIMITED WARRANTY

ATTACH YOUR RECEIPT HERE. PROOF OF PURCHASE IS REQUIRED TO OBTAIN WARRANTY SERVICE

Please have the following information available when you call the Customer eXperience Center:

- Name, address, and telephone number
- Model number and serial number
- A clear, detailed description of the problem
- Proof of purchase, including dealer or retailer name and address

## IF YOU NEED SERVICE:

1. Before contacting us to arrange service, please determine whether your product requires repair. Some questions can be addressed without service. Please take a few minutes to review the Troubleshooting section of the Use and Care Guide or visit [producthelp.whirlpool.com](http://producthelp.whirlpool.com).
2. All warranty service is provided exclusively by our authorized Whirlpool Service Providers. In the U.S. and Canada, direct all requests for warranty service to:

**Whirlpool Customer eXperience Center**

**In the U.S.A., call 1-800-253-1301. In Canada, call 1-800-807-6777.**

If outside the 50 United States or Canada, contact your authorized Whirlpool dealer to determine whether another warranty applies.

## ONE YEAR LIMITED WARRANTY

### WHAT IS COVERED

For one year from the date of purchase, when this major appliance is installed, operated, and maintained according to instructions attached to or furnished with the product, Whirlpool Corporation or Whirlpool Canada LP (hereafter "Whirlpool") will pay for factory specified replacement parts and repair labor to correct defects in materials or workmanship that existed when this major appliance was purchased or, at its sole discretion, replace the product. In the event of product replacement, your appliance will be warranted for the remaining term of the original unit's warranty period.

YOUR SOLE AND EXCLUSIVE REMEDY UNDER THIS LIMITED WARRANTY SHALL BE PRODUCT REPAIR AS PROVIDED HEREIN. Service must be provided by a Whirlpool designated service company. This limited warranty is valid only in the United States or Canada and applies only when the major appliance is used in the country in which it was purchased. This limited warranty is effective from the date of original consumer purchase. Proof of original purchase date is required to obtain service under this limited warranty.

### WHAT IS NOT COVERED

1. Commercial, non-residential, multiple-family use, or use inconsistent with published user, operator or installation instructions.
2. In-home instruction on how to use your product.
3. Service to correct improper product maintenance or installation, installation not in accordance with electrical or plumbing codes, or correction of household electrical or plumbing (e.g., house wiring, fuses, or water inlet hoses).
4. Consumable parts (e.g., light bulbs, batteries, air or water filters, preservation solutions).
5. Defects or damage caused by the use of non-genuine Whirlpool parts or accessories.
6. Conversion of products from natural gas or propane gas.
7. Damage from accident, misuse, abuse, fire, floods, acts of God, or use with products not approved by Whirlpool.
8. Repairs to parts or systems to correct product damage or defects caused by unauthorized service, alteration, or modification of the appliance.
9. Cosmetic damage including scratches, dents, chips, and other damage to the appliance finishes, unless such damage results from defects in materials and workmanship and is reported to Whirlpool within 30 days.
10. Discoloration, rust, or oxidation of surfaces resulting from caustic or corrosive environments including, but not limited to, high salt concentrations, high moisture or humidity, or exposure to chemicals.
11. Food or medicine loss due to product failure.
12. Pickup or delivery. This product is intended for in-home repair.
13. Travel or transportation expenses for service in remote locations where an authorized Whirlpool servicer is not available.
14. Removal or reinstallation of inaccessible appliances or built-in fixtures (e.g., trim, decorative panels, flooring, cabinetry, islands, countertops, drywall) that interfere with servicing, removal, or replacement of the product.
15. Service or parts for appliances with original model/serial numbers removed, altered, or not easily determined.

**The cost of repair or replacement under these excluded circumstances shall be borne by the customer:**

### DISCLAIMER OF IMPLIED WARRANTIES

IMPLIED WARRANTIES, INCLUDING ANY IMPLIED WARRANTY OF MERCHANTABILITY OR IMPLIED WARRANTY OF FITNESS FOR A PARTICULAR PURPOSE, ARE LIMITED TO ONE YEAR OR THE SHORTEST PERIOD ALLOWED BY LAW. Some states and provinces do not allow limitations on the duration of implied warranties of merchantability or fitness, so this limitation may not apply to you. This warranty gives you specific legal rights, and you also may have other rights that vary from state to state or province to province.

### DISCLAIMER OF REPRESENTATIONS OUTSIDE OF WARRANTY

Whirlpool makes no representations about the quality, durability, or need for service or repair of this major appliance other than the representations contained in this warranty. If you want a longer or more comprehensive warranty than the limited warranty that comes with this major appliance, you should ask Whirlpool or your retailer about buying an extended warranty.

### LIMITATION OF REMEDIES: EXCLUSION OF INCIDENTAL AND CONSEQUENTIAL DAMAGES

YOUR SOLE AND EXCLUSIVE REMEDY UNDER THIS LIMITED WARRANTY SHALL BE PRODUCT REPAIR AS PROVIDED HEREIN. WHIRLPOOL SHALL NOT BE LIABLE FOR INCIDENTAL OR CONSEQUENTIAL DAMAGES. Some states and provinces do not allow the exclusion or limitation of incidental or consequential damages, so these limitations and exclusions may not apply to you. This warranty gives you specific legal rights, and you also may have other rights that vary from state to state or province to province.

# SÉCURITÉ DU FOUR À MICRO-ONDES

## Votre sécurité et celle des autres est très importante.

Nous donnons de nombreux messages de sécurité importants dans ce manuel et sur votre appareil ménager. Assurez-vous de toujours lire tous les messages de sécurité et de vous y conformer.



Voici le symbole d'alerte de sécurité.

Ce symbole d'alerte de sécurité vous signale les dangers potentiels de décès et de blessures graves à vous et à d'autres.

Tous les messages de sécurité suivront le symbole d'alerte de sécurité et le mot "DANGER" ou "AVERTISSEMENT". Ces mots signifient :

**⚠ DANGER**

**Risque possible de décès ou de blessure grave si vous ne suivez pas immédiatement les instructions.**

**⚠ AVERTISSEMENT**

**Risque possible de décès ou de blessure grave si vous ne suivez pas les instructions.**

Tous les messages de sécurité vous diront quel est le danger potentiel et vous disent comment réduire le risque de blessure et ce qui peut se produire en cas de non-respect des instructions.

## IMPORTANTES INSTRUCTIONS DE SÉCURITÉ

Lors de l'utilisation de tout appareil ménager électrique on doit observer certaines précautions de sécurité fondamentales, dont les suivantes :

**AVERTISSEMENT :** Pour réduire le risque de brûlures, de choc électrique, d'incendie, de blessures et l'exposition excessive à l'énergie des micro-ondes :

- Lire la totalité des instructions avant d'utiliser le four à micro-ondes.
- Lire et observer les instructions spécifiques de "PRÉCAUTIONS CONTRE LE RISQUE D'EXPOSITION EXCESSIVE À L'ÉNERGIE DES MICRO-ONDES" dans cette section.
- Le four à micro-ondes doit être relié à la terre. Brancher l'appareil uniquement sur une prise de courant convenablement reliée à la terre. Voir les "INSTRUCTIONS DE LIAISON À LA TERRE" présentées dans la section "INSTRUCTIONS D'INSTALLATION".
- Installer ou placer le four à micro-ondes uniquement selon les instructions d'installation fournies.
- Certains produits, comme les œufs entiers dans leur coquille et les récipients fermés - par exemple les bocaux en verre fermés - peuvent exploser et on ne doit pas les faire chauffer dans le four à micro-ondes.
- Utiliser le four à micro-ondes uniquement pour les applications auxquelles il est destiné, telles qu'elles sont décrites dans ce manuel. Ne pas utiliser de vapeurs ou de produits chimiques corrosifs dans le four à micro-ondes. Ce type de four est spécifiquement conçu pour chauffer, cuire ou sécher des aliments. Il n'est pas conçu pour des applications industrielles ou de laboratoire.
- Comme pour tout appareil ménager, les enfants ne devraient utiliser ce four que sous une supervision adéquate.
- Ne pas faire fonctionner le four à micro-ondes si le cordon d'alimentation ou la fiche de branchement est endommagé, s'il ne fonctionne pas correctement, s'il a subi des dommages ou s'il est tombé.
- Tous les travaux de service doivent être exécutés exclusivement par un personnel d'entretien qualifié. Contacter un centre de service autorisé pour les opérations d'inspection, de réparation ou de réglage.
- Ne pas couvrir ni obstruer toute ouverture sur le four à micro-ondes.
- Ne pas remiser ce four à micro-ondes à l'extérieur. Ne pas utiliser le four à micro-ondes à proximité d'eau - par exemple, près d'un évier de cuisine, dans un sous-sol humide ou près d'une piscine ou à un emplacement similaire.
- Ne pas immerger le cordon ou la fiche de branchement dans l'eau.
- Garder le cordon d'alimentation loin des surfaces chauffées.
- Ne pas laisser le cordon d'alimentation pendre sur le bord d'une table ou d'un comptoir.
- Voir les instructions de nettoyage de la surface de la porte à la section "Entretien du four à micro-ondes".
- Pour réduire le risque d'incendie dans la cavité du four :
  - Ne pas faire cuire les aliments excessivement. Surveiller attentivement le four à micro-ondes après y avoir placé des produits en papier, en plastique ou autres matériaux combustibles pour faciliter la cuisson des aliments.
  - Enlever les attaches métalliques des sachets en papier ou en plastique avant de placer de tels sachets dans le four.
  - En cas d'inflammation de matériaux placés à l'intérieur du four, maintenir la porte du four fermée, arrêter le four, débrancher le four, ou interrompre l'alimentation électrique au niveau du tableau de distribution (fusible ou disjoncteur).
  - Ne pas utiliser la cavité du four comme espace de rangement. Ne pas laisser dans le four des produits en papier, ustensiles de cuisine ou produits alimentaires, lorsqu'il n'est pas utilisé.

**CONSERVEZ CES INSTRUCTIONS**

## IMPORTANTES INSTRUCTIONS DE SÉCURITÉ

- Les liquides tels que l'eau, le café ou le thé peuvent trop chauffer - au-delà du point d'ébullition - sans sembler bouillir. Il n'y a pas toujours des bulles ou une ébullition lorsqu'on retire le récipient du four à micro-ondes. À CAUSE DE CECI, DES LIQUIDES TRÈS CHAUDS POURRAIENT DÉBORDER LORSQU'ON BOUGE LE RÉCIPIENT OU QUE L'ON UTILISE UNE CUILLÈRE OU UN AUTRE USTENSILE POUR LE REMUER.

Pour réduire le risque de blessures corporelles :

- Ne pas trop faire chauffer le liquide.
- Remuer le liquide avant et pendant le chauffage.
- Ne pas utiliser de récipients à parois droites avec des ouvertures étroites.
- Une fois chaud, laisser le récipient dans le four à micro-ondes un moment avant de le retirer.
- Faire très attention lorsqu'on utilise une cuillère ou un autre ustensile dans le récipient.

## CONSERVEZ CES INSTRUCTIONS

## PRÉCAUTIONS CONTRE LE RISQUE D'EXPOSITION EXCESSIVE À L'ÉNERGIE DES MICRO-ONDES

- (a) Ne pas tenter de faire fonctionner ce four lorsque la porte est ouverte, car ceci pourrait susciter une exposition dangereuse à l'énergie des micro-ondes. Il est important de ne pas entraver le fonctionnement correct du dispositif de verrouillage de sécurité.
- (b) Ne pas placer d'objet entre la surface avant du four et la porte, et ne jamais laisser des souillures ou résidus de produits de nettoyage s'accumuler sur les surfaces d'étanchéité.
- (c) Ne pas faire fonctionner le four lorsqu'il est endommagé. Il est particulièrement important que la porte du four ferme convenablement et que les composants suivants ne soient pas endommagés :
  - (1) Porte (déformation),
  - (2) Charnières et dispositif de verrouillage (brisés ou desserrés),
  - (3) Joints de porte et surfaces d'étanchéité.
- (d) Seul un personnel d'entretien qualifié est habilité à exécuter des réparations ou réglages sur cet appareil.

Ce dispositif est conforme à la section 18 des règlements FCC.  
Ce dispositif est conforme à la norme ICES-001 d'Industrie Canada.

# INSTRUCTIONS D'INSTALLATION

## Déballage

1. Ôter du four à micro-ondes tous les matériaux d'emballage divers.
2. Nettoyer l'intérieur du four avec un chiffon doux humide.
3. Vérifier l'absence de dommages tels que :
  - porte qui n'est pas alignée correctement,
  - dommages autour de la porte, ou
  - bosses à l'intérieur ou à l'extérieur du four à micro-ondes.

En cas de dommage quelconque, ne pas faire fonctionner le four à micro-ondes avant qu'un technicien de service désigné n'ait vérifié le four et ait effectué les réparations nécessaires.

**REMARQUE :** Pour éviter les dommages au four à micro-ondes, **ne pas enlever le capot d'orifice du four à micro-ondes.** Consulter la section « Pièces et caractéristiques ».

## Exigences d'Emplacement

### ⚠ AVERTISSEMENT

#### Risque du poids excessif

**Utiliser deux ou plus de personnes pour déplacer et installer le four à micro-ondes.**

**Le non-respect de cette instruction peut causer une blessure au dos ou d'autre blessure.**

**IMPORTANT :** Le côté de l'appareil où se trouve la commande est le plus lourd. Manipuler le four à micro-ondes délicatement. Le poids du four à micro-ondes est supérieur à 35 lb (15,9 kg).

- Placer le four à micro-ondes sur un chariot, un plan de travail, une table ou une tablette suffisamment solide pour supporter le four à micro-ondes ainsi que les aliments et ustensiles placés à l'intérieur.
- Le four à micro-ondes doit se trouver à une température supérieure à 50 °F (10 °C) pour un fonctionnement correct.

**REMARQUE :** Certains modèles peuvent être encastrés dans un mur ou une armoire à l'aide d'un des ensembles de finition mentionnés dans la section « Assistance ou dépannage ».

- Ne pas obstruer les conduits d'évacuation ou les ouvertures de prise d'air. Laisser quelques centimètres à l'arrière du four et sur le côté du micro-ondes à l'emplacement des conduits d'évacuation. L'obstruction des conduits d'évacuation peut entraîner des dommages au four à micro-ondes, de même que de médiocres résultats de cuisson.
- Veiller à ce que les pieds du four à micro-ondes soient bien en place pour assurer un flux d'air approprié. Si les événements sont obstrués, un dispositif de sécurité thermique sensible peut commander l'extinction automatique du four à micro-ondes. Le four à micro-ondes devrait fonctionner correctement une fois refroidi.

## Spécifications électriques

### ⚠ AVERTISSEMENT



#### Risque de choc électrique

**Brancher sur une prise à 3 alvéoles reliée à la terre.**

**Ne pas enlever la broche de liaison à la terre.**

**Ne pas utiliser un adaptateur.**

**Ne pas utiliser un câble de rallonge.**

**Le non-respect de ces instructions peut causer un décès, un incendie ou un choc électrique.**

Observer les dispositions de tous les codes et règlements en vigueur.

#### Exigences :

- Alimentation de 120 V, 60 Hz, CA seulement, et protégée par un fusible ou un disjoncteur temporisé de 15 A ou 20 A.

#### Recommandation :

- Fusible ou disjoncteur temporisé.
- Circuit distinct exclusif au four à micro-ondes.

## INSTRUCTIONS DE LIAISON À LA TERRE

### ■ Pour tout appareil ménager connecté par un cordon de courant électrique :

Il faut que le four à micro-ondes soit relié à la terre. En cas de court-circuit électrique, la liaison à la terre réduit le risque de choc électrique car le courant électrique dispose d'un itinéraire direct d'acheminement à la terre. Le four à micro-ondes est doté d'un cordon de courant électrique qui comporte un fil de liaison à la terre, avec broche de liaison à la terre. On doit brancher la fiche sur une prise de courant convenablement installée et reliée à la terre.

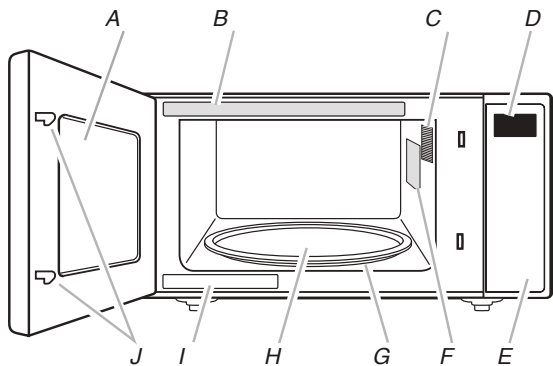
**AVERTISSEMENT :** L'utilisation incorrecte du dispositif de liaison à la terre peut susciter un risque de choc électrique. L'utilisateur qui ne comprend pas bien les instructions de liaison à la terre, ou qui n'est pas certain que le four à micro-ondes soit convenablement relié à la terre, devrait consulter un électricien ou un technicien qualifié.

Ne pas utiliser un câble de rallonge. Si le cordon de courant électrique est trop court, demander à un électricien ou un technicien qualifié d'installer une prise de courant à proximité du four à micro-ondes.

**CONSERVEZ CES INSTRUCTIONS**

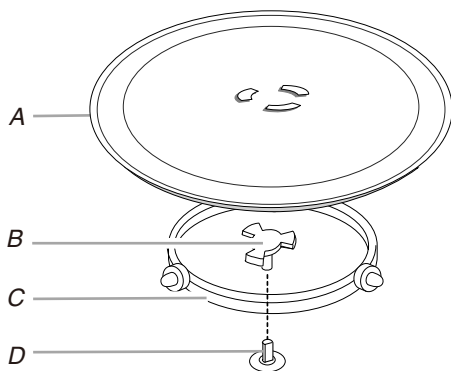
# PIÈCES ET CARACTÉRISTIQUES

Ce manuel peut couvrir plusieurs modèles différents. Le modèle acheté peut comporter certains (ou l'ensemble) des éléments présentés dans ce document. L'apparence de votre modèle peut différer légèrement des illustrations figurant dans ce manuel.



- A. Fenêtre
- B. Étiquette du guide de cuisson
- C. Éclairage du four à micro-ondes
- D. Affichage
- E. Tableau de commande
- F. Capot d'orifice du four à micro-ondes
- G. Support du plateau rotatif amovible
- H. Plateau rotatif en verre
- I. Plaque signalétique des numéros de modèle et de série
- J. Système de verrouillage de la porte

## Plateau rotatif



- A. Plateau rotatif
- B. Axe
- C. Support
- D. Tige

Le plateau rotatif peut tourner dans les deux sens pour permettre une cuisson plus uniforme. Pour de meilleurs résultats, ne pas faire fonctionner le four à micro-ondes lorsque le plateau rotatif est enlevé. Voir la section « Assistance ou service » pour commander de nouvelles pièces.

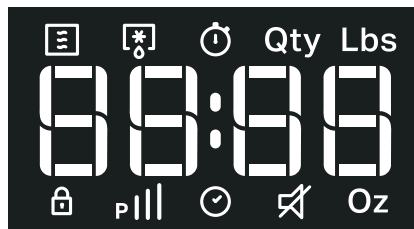
### Installation :

1. Placer le support dans la cavité du bas du four à micro-ondes.
2. Placer le plateau rotatif sur le support.

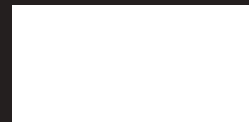
Insérer les protubérances arrondies au centre du dessous du plateau rotatif entre les 3 rayons de l'axe. Les roulettes sur le support devraient se loger à l'intérieur du pourtour cranté du dessous du plateau rotatif.

# COMMANDES DU FOUR À MICRO-ONDES

MW Defrost Timer Qty Lbs



Lock Power Clock Mute Oz



### AUTO FUNCTIONS

Popcorn Potato Reheat

Cook Soften Melt

### OPTIONS

Defrost Keep Warm Steam Clean

### EXPRESS START

1 2 3

4 5 6

7 8 9

Timer  
Hold to Set  
Clock

0

Cook Time  
Power

STOP  
UNLOCK

START  
+30 sec

## Instructions du clavier

Bouton	Fonction	Instructions
Timer (Minuterie) (Hold to Set Clock [Maintenir enfoncée pour régler l'horloge])	Maintenir enfoncée pour régler l'horloge	<p>Pour régler l'horloge, suivre les instructions suivantes :</p> <ol style="list-style-type: none"> <li>1. Appuyer sur TIMER (MINUTERIE) pendant 3 secondes pour accéder au réglage de l'horloge.</li> <li>2. Appuyer sur les boutons 0 à 9 pour régler l'heure, appuyer sur le bouton START (MISE EN MARCHÉ) pour confirmer.</li> <li>3. Appuyer sur les boutons 0-9 pour régler les minutes.</li> <li>4. Appuyer sur le bouton START (MISE EN MARCHÉ).</li> </ol> <p><b>REMARQUE :</b> Le four à micro-ondes doit être en mode de veille. Il apparaîtra également chaque fois que le produit est branché. L'écran affiche « 12 h » (« 12 » clignotant), appuyer sur le bouton Timer (Minuterie) ou sur les touches numériques pour bascule entre le format 12 ou 24 heures, appuyer sur START (MISE EN MARCHÉ) pour confirmer; puis l'écran affiche « 12:00 ».</p>
Timer (Minuterie) (Hold to Set Clock [Maintenir enfoncée pour régler l'horloge])	Régler la minuterie de cuisson	<p>La fonction de minuterie de cuisson fonctionne comme un chronomètre. Pour régler la minuterie de cuisson, suivre les instructions ci-dessous :</p> <ol style="list-style-type: none"> <li>1. Appuyer sur le bouton Timer (Minuterie).</li> <li>2. Appuyer sur les boutons 0-9 pour entrer la durée désirée.</li> <li>3. Appuyer sur le bouton START (MISE EN MARCHÉ).</li> </ol> <p><b>REMARQUE :</b> Si la minuterie est active sur l'affichage, appuyer sur STOP/Unlock (ARRÊT/DÉVERROUILLAGE) pour l'annuler. La minuterie ne se met pas en marche et n'arrête pas le four à micro-ondes.</p>
START (MISE EN MARCHÉ) + 30 Sec	Ajouter 30 secondes	<p>Le bouton Start (Mise en marche) peut être utilisé de deux façons :</p> <ol style="list-style-type: none"> <li>1. Pour mettre en marche le four à micro-ondes en lançant une cuisson de 30 secondes à PLEINE PUISSANCE en mode veille.</li> <li>2. Pour augmenter la durée de cuisson de 30 secondes.</li> </ol> <p>Chaque pression ajoute 30 secondes.</p>
START (MISE EN MARCHÉ) + 30 Sec	Fonction de mise en marche	<p>Appuyer sur le bouton START (MISE EN MARCHÉ) pour lancer une fonction de cuisson. Si la cuisson est interrompue en ouvrant la porte, appuyer sur le bouton START (MISE EN MARCHÉ) une fois la porte refermée pour relancer le programme</p>
STOP/UNLOCK (ARRÊT/ DÉVERROUILLAGE)	Fonction pause/arrêt du four à micro-ondes	<p>Le bouton STOP/UNLOCK (ARRÊT/DÉVERROUILLAGE) arrête toutes les fonctions du four à micro-ondes, sauf l'horloge.</p> <p>Le four à micro-ondes s'arrête aussi lorsque la porte est ouverte.</p> <p>Lorsque la porte est ouverte, l'élément ou les éléments s'arrêteront, mais l'ampoule du four à micro-ondes restera allumée. Fermer la porte et appuyer sur le bouton START (MISE EN MARCHÉ) pour reprendre le programme pré-réglé.</p>
STOP/UNLOCK (ARRÊT/ DÉVERROUILLAGE)	Ouverture de la porte en 2 étapes	<p>Ce four à micro-ondes est doté d'une fonction supplémentaire d'ouverture de la porte en deux étapes afin d'éviter tout accès involontaire.</p> <p>Le bouton STOP/UNLOCK (ARRÊT/DÉVERROUILLAGE) peut être utilisé pour annuler la fonction pendant ou une fois la durée de cuisson terminée.</p> <p>Le bouton STOP/UNLOCK (ARRÊT/DÉVERROUILLAGE) peut être utilisé pour l'ouverture de la porte en deux étapes :</p> <ol style="list-style-type: none"> <li>1. Une fois la durée de cuisson réglée et que le bouton START (MISE EN MARCHÉ) a été enfoncé, l'icône Door Lock (Verrouillage de porte) apparaît à l'écran.</li> <li>2. Pour ouvrir le micro-ondes : <ul style="list-style-type: none"> <li>■ Appuyer sur STOP/UNLOCK (ARRÊT/DÉVERROUILLAGE).</li> <li>■ Tirer la poignée de la porte.</li> </ul> </li> </ol> <p><b>REMARQUE :</b> Après avoir appuyé sur le bouton STOP/UNLOCK (ARRÊT/DÉVERROUILLAGE) pour arrêter/mettre sur pause une fonction, l'icône de verrouillage de la porte disparaît pendant 10 secondes et il est possible de tirer la porte pour l'ouvrir.</p> <p>L'icône de verrouillage de la porte réapparaît après 10 secondes et il est possible de répéter les étapes 1 et 2 pour ouvrir la porte.</p> <p><b>REMARQUE :</b> Lorsque la machine est mise sous tension après avoir été branchée, la fonction de porte en deux étapes n'est pas déclenchée.</p> <p>Si un programme de cuisson démarre après la fermeture de la porte, deux étapes sont nécessaires pour ouvrir la porte. Une fois les deux étapes utilisées pour ouvrir la porte, si la porte se ferme et qu'aucune puissance de cuisson n'est appliquée, la porte pourra être ouverte en tirant simplement la poignée de la porte.</p>

Bouton	Fonction	Instructions
		<p><b>REMARQUE :</b> Ce four à micro-ondes est doté d'une fonction supplémentaire d'ouverture de la porte en deux étapes afin d'éviter tout accès involontaire. Si les enfants n'ont pas accès à l'appareil, il existe une fonction de désactivation si la fonctionnalité en deux étapes n'est pas nécessaire.</p> <p>Désactivation/activation de la fonction de porte en 2 étapes sur l'écran :</p> <p>Étapes pour désactiver la fonction de porte en 2 étapes :</p> <ol style="list-style-type: none"> <li>1. Après avoir appuyé sur le bouton STOP/UNLOCK (ARRÊT/ DÉVERROUILLAGE) pendant 3 secondes, l'écran affiche « DI:_0 ».</li> <li>2. Après avoir appuyé sur le bouton « 0 », l'écran affiche « DI:_1 ».</li> <li>3. Appuyer sur le bouton START (MISE EN MARCHÉ) pour confirmer.</li> </ol> <p><b>REMARQUE :</b> DI (DÉSACTIVER)</p> <p><b>REMARQUE :</b> Si le micro-ondes est débranché, il se souviendra de la dernière opération. Il ne sera pas nécessaire de désactiver ou d'activer à nouveau la fonction de porte en 2 étapes. Étapes pour activer la fonction de porte en 2 étapes :</p> <p>Étapes pour activer la fonction de porte en 2 étapes :</p> <ol style="list-style-type: none"> <li>1. Après avoir appuyé sur le bouton STOP/UNLOCK (ARRÊT/ DÉVERROUILLAGE) pendant 3 secondes, l'écran affiche « EA:_0 ».</li> <li>2. Après avoir appuyé sur le bouton « 0 », l'écran affiche « EA:_1 ».</li> <li>3. Appuyer sur le bouton START (MISE EN MARCHÉ) pour confirmer.</li> </ol> <p><b>REMARQUE :</b> EA (ACTIVER)</p> <p><b>IMPORTANT :</b> La désactivation de cette fonction ne doit être effectuée que lorsque le propriétaire est sûr de lui et qu'aucun enfant n'est présent.</p>
0-9	Clavier numérique	<p>L'utilisateur peut appuyer sur les touches 0 à 9 pour sélectionner la durée de cuisson, la catégorie et le poids des aliments.</p> <p>En mode veille, appuyer sur le bouton 1, 2 ou 3, le four à micro-ondes fonctionne directement à 100 % pendant 1 min, 2 min, 3 min de temps de cuisson. Il n'est pas nécessaire d'appuyer sur le bouton START (MISE EN MARCHÉ) pour confirmer.</p>
Cook Time/Power (Durée/puissance de cuisson)	Réglage manuel de la durée et de la puissance de cuisson	<p>Pour régler la durée de la cuisson et modifier le niveau de puissance :</p> <ol style="list-style-type: none"> <li>1. Appuyer sur le bouton Cook Time/Power (Durée/puissance de cuisson).</li> <li>2. Appuyer sur les touches numériques pour régler la durée du temps de cuisson, par exemple 2:30, appuyer sur les boutons numériques 0 à 9, Réglage de la durée et de la puissance de cuisson, cuisson manuelle et puissance « 2, 3, 0 ».</li> <li>3. Appuyer de nouveau sur le bouton Cook Time/Power (Durée/puissance de cuisson) pour modifier la puissance de cuisson.</li> <li>4. Appuyer sur les boutons numériques pour régler la puissance, par exemple, appuyer sur « 8, 0 » pour régler la puissance à 80 %.</li> <li>5. Appuyer sur le bouton START (MISE EN MARCHÉ).</li> </ol> <p>Il est possible de sauter les étapes 3 et 4 pour cuire à un niveau de puissance de 100 %.</p>
Keep Warm (Maintien au chaud)	Maintien au chaud	<p>Cette fonction permet de garder les plats au chaud. Utilisation :</p> <ol style="list-style-type: none"> <li>1. Appuyer sur le bouton « Keep Warm » (Maintien au chaud), la durée par défaut « 30:00 » s'affiche à l'écran.</li> <li>2. Appuyez sur le bouton « Keep Warm » (Maintien au chaud) ou les boutons 0-9 pour sélectionner 15 minutes, 30 minutes, 45 minutes ou 60 minutes.</li> <li>3. Appuyer sur le bouton Start (Mise en marche).</li> </ol> <p><b>REMARQUE :</b> Le programme de maintien au chaud dure 15 minutes (30 minutes par défaut), la durée maximale est de 60 min. Pour chaque programme de 15 min, le four à micro-ondes s'allume pendant 1,5 min, puis la lampe de la cavité et le ventilateur s'éteignent; seul le compte à rebours s'affiche.</p>

Bouton	Fonction	Instructions
Steam Clean (Nettoyage à la vapeur)	Programme de nettoyage automatique	Le programme de nettoyage permet de nettoyer la cavité du four à micro-ondes <ol style="list-style-type: none"> <li>Placer 1 tasse d'eau (~ 250 ml) au milieu de la cavité.</li> <li>Appuyer sur le bouton « Steam Clean » (Nettoyage à la vapeur); la durée par défaut « 11:00 » s'affiche à l'écran</li> <li>Appuyer sur le bouton START (MISE EN MARCHÉ) pour démarrer la fonction (Après avoir terminé le programme de chauffage de l'eau [8 min], la lampe de la cavité et le ventilateur s'éteignent, le compte à rebours s'affiche.)</li> </ol> <b>REMARQUE :</b> Suivre les conseils et suggestions de la section Nettoyage à la vapeur
Steam Clean (Nettoyage à la vapeur)	Pour activer ou désactiver les bips	La fonction permet d'activer ou de désactiver le bip : <ol style="list-style-type: none"> <li>Appuyer sur le bouton STEAM CLEAN (NETTOYAGE À LA VAPEUR) pendant 3 secondes pour mettre en sourdine; l'icône des signaux en sourdine s'affiche à l'écran</li> <li>Appuyer sur le bouton de nouveau pendant 3 secondes pour désactiver le son.</li> </ol>
Manual Defrost (Décongélation manuelle)	Décongélation manuelle	La puissance de décongélation a été réglée, sélectionner la durée de décongélation <ol style="list-style-type: none"> <li>Appuyer sur le bouton « Manual Defrost » (Décongélation manuelle), « 0:30 » s'affiche à l'écran.</li> <li>Appuyer sur les boutons 0-9 pour régler le temps de décongélation.</li> <li>Appuyer sur le bouton START (MISE EN MARCHÉ).</li> </ol>
Defrost (Décongélation)	Décongélation manuelle et automatique	Décongélation automatique et décongélation manuelle; la fonction de décongélation permet de décongeler manuellement et automatiquement la volaille, la viande et le poisson congelés. Pour décongeler, suivre les instructions ci-dessous : <ol style="list-style-type: none"> <li>Appuyez sur le bouton « », l'écran affiche Defrost (Décongélation) « P01 » pour le mode manuel. L'utilisateur peut appuyer sur le bouton « Defrost » (Décongélation) pour augmenter les types d'aliments de manière cyclique. L'utilisateur peut aussi appuyer sur les « touches numériques » pour indiquer le TYPE D'ALIMENT.</li> <li>Appuyer sur les boutons 0-9 pour régler le poids souhaité. (0,2 à 6,6 lb/0,1 lb [90 g-3 kg/45 g] pour P02-P04) Appuyer sur le bouton « Manual Defrost » (Décongélation manuelle), « 0:30 » s'affiche à l'écran.</li> <li>Appuyer sur le bouton START (MISE EN MARCHÉ).</li> </ol>
Melt (Faire fondre)	Faire fondre	La fonction Melt (Faire fondre) est utilisée pour faire fondre des aliments. Utilisation : <ol style="list-style-type: none"> <li>Appuyer sur « Melt » (Faire fondre), « P1 » s'affiche à l'écran</li> <li>Utiliser le bouton « Melt » (Faire fondre) ou les boutons numériques 0 à 9 pour sélectionner une catégorie d'aliments, consulter la section Faire fondre de ce guide pour la catégorie d'aliments ou consulter l'autocollant sur la plaque avant du four à micro-ondes. Appuyer sur le bouton START (MISE EN MARCHÉ) pour confirmer.</li> <li>Utiliser les boutons 0-9 pour modifier la quantité.</li> <li>Appuyer sur le bouton START (MISE EN MARCHÉ).</li> </ol>
Soften (Faire ramollir)	Faire ramollir	La fonction Soften (Faire ramollir) est utilisée pour faire ramollir du beurre. Utilisation : <ol style="list-style-type: none"> <li>Appuyer sur « Soften » (Faire ramollir), « 0,5 » s'affiche par défaut à l'écran pour le nombre de bâtons.</li> <li>Utiliser le bouton « Soften » (Faire ramollir) ou les boutons numériques 0 à 9 pour modifier la quantité.</li> <li>Appuyer sur le bouton START (MISE EN MARCHÉ).</li> </ol>

Bouton	Fonction	Instructions
Cook (Cuisson)	Cuisson automatique	<p>Pour le mode Cook (Cuisson), il n'est pas nécessaire de régler la durée et la puissance, suivre les instructions ci-dessous :</p> <ol style="list-style-type: none"> <li>1. Appuyer sur le bouton « Cook » (Cuisson), « P1 » s'affiche à l'écran.</li> <li>2. Utiliser les boutons numériques 0 à 9 ou le bouton « Cook » (Cuisson) pour sélectionner une catégorie d'aliments. Consulter la section Cuisson de ce guide pour connaître la catégorie d'aliments ou l'autocollant de référence sur la plaque avant du four à micro-ondes.</li> <li>3. Appuyer sur le bouton START (MISE EN MARCHÉ).</li> </ol> <p><b>REMARQUE :</b> Pendant la cuisson, l'écran indique lorsqu'il faut retourner ou ajouter des aliments (pour certains aliments seulement), appuyer sur le bouton STOP/UNLOCK (ARRÊT/DÉVERROUILLAGE) pour déclencher la fonction de déverrouillage et ajouter ou retourner les aliments en tirant la poignée de la porte pour l'ouvrir.</p> <p>En appuyant à nouveau sur le bouton STOP/UNLOCK (ARRÊT/DÉVERROUILLAGE), la fonction de cuisson s'arrête et le four à micro-ondes passe en mode veille.</p>
Reheat (Réchauffage)	Automatique	<p>Pour réchauffer en utilisant les fonctions pré-réglées, suivre les instructions ci-dessous :</p> <ol style="list-style-type: none"> <li>1. Appuyer sur le bouton « Reheat » (Réchauffage), « P1 » s'affiche à l'écran.</li> <li>2. Utiliser les boutons numériques 0 à 9 ou « Reheat » (Réchauffage) pour sélectionner une catégorie d'aliments. Consulter la section RÉCHAUFFAGE de ce guide pour connaître la catégorie d'aliments ou l'autocollant de référence sur la plaque avant du four à micro-ondes.</li> <li>3. Appuyer sur le bouton START (MISE EN MARCHÉ).</li> </ol>
Popcorn (Maïs à éclater)	Maïs à éclater	<p>Pour utiliser le pré-réglage de maïs à éclater, suivre les instructions suivantes :</p> <ol style="list-style-type: none"> <li>1. Appuyer plusieurs fois sur le bouton « Popcorn » (Maïs à éclater) pour sélectionner la taille du sac (3,0 ou 3,5 oz).</li> <li>2. Appuyer sur le bouton START (MISE EN MARCHÉ).</li> </ol>
Potato (Pomme de terre)	Cuisson des pommes de terre	<p>Pour utiliser le pré-réglage de pomme de terre, suivre les instructions suivantes :</p> <ol style="list-style-type: none"> <li>1. Appuyer plusieurs fois sur le bouton « Potato » (Pomme de terre) pour sélectionner la taille de pomme de terre L (Grosse) ou S (Petite).</li> <li>2. Appuyer sur START (MISE EN MARCHÉ) pour confirmer, appuyer sur les touches numériques 0 à 9 pour choisir la quantité.</li> <li>3. Appuyer sur le bouton START (MISE EN MARCHÉ)</li> </ol>

---

## Affichage

Lorsque l'alimentation électrique arrive au four à micro-ondes pour la première fois, « 12 Hr » clignote à l'affichage. L'utilisateur peut appuyer sur le bouton TIMER/Clock (MINUTERIE/horloge) ou sur les boutons numériques 0 à 9 pour basculer entre 12 h ou 24 h dans les 10 secondes.

Appuyer sur le bouton START (MISE EN MARCHÉ) pour confirmer. Si « 12:00 » apparaît à l'affichage en tout autre moment, cela signifie qu'il y a eu coupure de courant. Régler de nouveau l'horloge si nécessaire. Voir la section « Horloge ».

---

## Mode veille

Lorsqu'aucune fonction n'est utilisée, le four à micro-ondes passe en mode Veille.

Après la sélection de la fonction, appuyer sur le bouton STOP/UNLOCK (ARRÊT/DÉVERROUILLAGE) pour quitter la sélection de la fonction. Si on appuie de nouveau sur le bouton STOP/UNLOCK (ARRÊT/DÉVERROUILLAGE), le mode de cuisson n'est pas activé.

Lorsque le mode de cuisson est activé et que l'utilisateur appuie sur bouton STOP/UNLOCK (ARRÊT/DÉVERROUILLAGE), les fonctions STOP/UNLOCK (ARRÊT/DÉVERROUILLAGE) sont déclenchées en même temps. Appuyer de nouveau sur le bouton STOP/UNLOCK (ARRÊT/DÉVERROUILLAGE) pour annuler la fonction et revenir au mode veille.

---

## START (MISE EN MARCHÉ)

Le bouton START (MISE EN MARCHÉ) met en marche n'importe quelle fonction. Si la cuisson sans détection est interrompue par l'ouverture de la porte, appuyer sur le bouton START (MISE EN MARCHÉ) pour poursuivre le programme.

REMARQUE : Pour éviter l'utilisation involontaire du four à micro-ondes, il est impossible de lancer une fonction de cuisson si la porte du four à micro-ondes est restée fermée pendant 1 minute. Le mot « door » (porte) apparaît sur l'affichage jusqu'à ce que la porte soit ouverte, puis fermée.

---

## Express start/Add 30 seconds (Démarrage Express/ajouter 30 secondes)

En mode veille, appuyer sur START (MISE EN MARCHÉ) allume le four à micro-ondes automatiquement à puissance maximale pendant 30 secondes, et ajoute 30 secondes de cuisson supplémentaire à chaque fois qu'on appuie à nouveau sur la commande. On peut prolonger le temps de cuisson d'un programme manuel par tranches de 30 secondes au niveau de puissance actuel en appuyant sur le bouton START (MISE EN MARCHÉ) pendant la cuisson.

### REMARQUE :

- Démarrage rapide 30 s : Appuyez sur « Start/+30 sec » (Mise en marche/+30 s) pour ajouter plus de temps au milieu ou à la fin du programme.
  - Cuisson rapide, ajout de minutes : On peut aussi appuyer sur les boutons numériques 1 à 3 pour obtenir une cuisson à pleine puissance pendant les minutes sélectionnées.
- 

## STOP/UNLOCK (ARRÊT/ DÉVERROUILLAGE)

Le bouton STOP/UNLOCK (ARRÊT/DÉVERROUILLAGE) permet d'effacer toute commande invalide et d'annuler n'importe quel programme durant une cuisson. Appuyer sur le bouton STOP/UNLOCK (ARRÊT/DÉVERROUILLAGE) pour arrêter le programme. Cette fonction n'effacera pas l'heure.

Le four à micro-ondes s'arrête aussi lorsque la porte est ouverte. Fermer la porte et appuyer sur START (MISE EN MARCHÉ) pour reprendre le programme.

---

---

## Utilisation du menu sans détection (Popcorn, Potato [Maïs à éclater, Pommes de terre])

1. Placer l'aliment sur le plateau rotatif et fermer la porte.
  2. Appuyer sur la commande du menu souhaité. La première quantité programmée apparaît sur l'affichage. Appuyer à plusieurs reprises sur le bouton de commande ou appuyer sur les boutons numériques pour modifier la quantité.
  3. Appuyer sur START (MISE EN MARCHÉ). Lorsque le programme est terminé, « End » (fin) apparaît sur l'afficheur, et les signaux de fin de programme retentissent.
  4. Appuyer sur STOP/UNLOCK (ARRÊT/DÉVERROUILLAGE) pour effacer l'affichage.
- 

## Clock (Horloge)

Le four à micro-ondes doit être en mode de veille.

1. Appuyer sur le bouton TIMER/Clock (MINUTERIE/horloge) pendant 3 secondes pour accéder au réglage de l'horloge. Il apparaîtra également chaque fois que le produit est branché sur la source d'alimentation ou que l'alimentation est rétablie après une panne de courant.
  2. Appuyer sur les boutons 0 à 9 pour régler l'heure.
  3. Appuyer sur le bouton START (MISE EN MARCHÉ) pour confirmer.
  4. Appuyer sur les boutons 0 à 9 pour régler les minutes.
  5. Appuyer sur le bouton START (MISE EN MARCHÉ) pour confirmer le réglage.
- 

## Minuterie

Le minuteur de cuisine fonctionne comme un chronomètre.

Réglage :

1. Appuyer sur le bouton Timer/Clock (Minuterie/horloge).
2. Appuyer sur les boutons 0 à 9 pour entrer la durée désirée.
3. Appuyer sur le bouton START (MISE EN MARCHÉ). Lorsque la durée réglée est écoulée, le signal sonore de fin de programme retentit.
4. Lorsque le compte à rebours de la minuterie est atteint sur l'afficheur, un signal sonore retentit. Appuyer sur STOP/UNLOCK (ARRÊT/DÉVERROUILLAGE) pour arrêter la minuterie.

REMARQUE : La minuterie ne se met pas en marche et n'arrête pas le four à micro-ondes.

La fonction ne peut être définie qu'en mode veille.

---

## Mute On/Off (Sourdine, marche/arrêt)

Cette fonction permet à l'utilisateur d'activer/désactiver tous les sons joués par les appareils, y compris la pression de bouton, les avertissements, l'alarme et même la fin des signaux sonores.

Appuyer sur le bouton Steam Clean (Nettoyage à la vapeur) pendant 5 secondes pour mettre en sourdine, l'appuyer à nouveau pendant 5 secondes pour activer le son.

---

## Fin de cuisson

Une fois la cuisson terminée, « End » (fin) s'affiche à l'écran. Un bip de rappel retentit.

1. Une fois la cuisson terminée, appuyer sur le bouton STOP/UNLOCK (ARRÊT/DÉVERROUILLAGE), sortir les aliments et refermer la porte pour que l'interface affiche l'horloge et que l'appareil passe à l'ouverture de la porte en une seule étape.
  2. Si les aliments ne sont pas retirés dans les 30 minutes, l'appareil affichera en permanence « END » (FIN) pendant 30 minutes, reviendra automatiquement en mode veille, puis se déverrouillera au bout de 30 minutes et passera à l'ouverture de la porte en une seule étape.
-

# UTILISATION DU FOUR À MICRO-ONDES

Un magnétron dans le four produit des micro-ondes qui rebondissent sur le plancher, les parois et la voûte en métal et passent à travers le plateau rotatif et les ustensiles de cuisson appropriés pour atteindre l'aliment. Les micro-ondes sont attirées et absorbées par le gras, le sucre et les molécules d'eau des aliments, elles font bouger ces molécules, ce qui produit la friction et la chaleur qui fait cuire les aliments.

- Afin d'éviter d'endommager le four à micro-ondes, ne pas laisser les enfants s'appuyer sur la porte du four à micro-ondes ou s'y balancer.
- Afin d'éviter d'endommager le four à micro-ondes, ne pas le faire fonctionner lorsqu'il est vide.
- Les biberons et les petits pots d'aliments pour bébé ne doivent pas être chauffés dans le four à micro-ondes.
- Les vêtements, fleurs, fruits, herbes, bois, gourdes, papiers, y compris les sacs en papier d'emballage et les journaux ne doivent pas être séchés dans le four à micro-ondes.
- La paraffine ne fondra pas dans le four, car elle n'absorbe pas les micro-ondes.
- Utiliser des mitaines de four ou des maniques pour enlever les contenants du four.
- Ne pas faire cuire les pommes de terre excessivement. À la fin de la durée de cuisson recommandée, les pommes de terre devraient être légèrement fermes. Laisser les pommes de terre reposer pendant 5 minutes. Elles achèveront de cuire pendant cette période.
- Ne pas faire cuire ou réchauffer des œufs entiers avec leur coquille. L'accumulation de vapeur dans les œufs entiers peut les faire éclater et obligera à nettoyer en profondeur la cavité du four à micro-ondes. Recouvrir les œufs pochés et les laisser reposer.

## Caractéristiques des aliments

Lors de la cuisson au tiroir à micro-ondes, la quantité, la taille, la forme, la température de mise en marche, la composition et la densité de l'aliment affectent les résultats de cuisson.

### Quantité d'aliments

La quantité d'aliments chauffés à la fois a une incidence sur la durée de cuisson. Vérifier le degré de cuisson et rallonger légèrement la durée si nécessaire.

### Taille et forme

Des aliments de petite taille cuiront plus vite que de gros morceaux, et des aliments uniformes cuiront de façon plus égale que des aliments de forme irrégulière.

### Température à la mise en marche

Les aliments à température ambiante chaufferont plus vite que les aliments réfrigérés, et les aliments réfrigérés chaufferont plus vite que les aliments surgelés.

### Composition et densité

Les aliments à haute teneur en gras et en sucre atteindront une température plus élevée et chaufferont plus vite que les autres. Les aliments lourds et denses, comme la viande et les pommes de terre, demandent une durée de cuisson plus longue que les aliments de même taille, mais plus légers et poreux, comme les gâteaux.

## Guide de cuisson

### Recouvrement

Recouvrir les aliments aide à retenir l'humidité, réduire la durée de cuisson et limiter les éclaboussures. Utiliser le couvercle fourni avec l'ustensile de cuisson. S'il n'y a pas de couvercle, du papier paraffiné, un essuie-tout ou un emballage en plastique approuvé pour les micro-ondes peut être utilisé. L'emballage en plastique doit être replié à un coin pour laisser échapper la vapeur. La condensation sur les surfaces de la porte et de la cavité est normale pendant une cuisson intense.

### Remuer et tourner

Remuer et tourner les aliments redistribue la chaleur de manière uniforme pour éviter la cuisson excessive du bord des aliments. Mélanger de l'extérieur vers le centre. Si possible, retourner les aliments.

### Disposition

S'il s'agit d'aliments de formes irrégulières ou de dimensions différentes, les parties plus minces et les morceaux plus petits doivent être disposés près du centre. Si l'on cuit plusieurs aliments de même taille et de même forme, les placer en cercle, en laissant le centre du cercle vide.

### Perforation

Avant le chauffage, utiliser une fourchette ou un petit couteau pour percer les aliments qui ont une peau ou une membrane, comme les pommes de terre, jaunes d'œufs, foies de poulet, hot dogs et saucisses. Percer plusieurs endroits pour laisser échapper la vapeur.

### Protection

Utiliser du papier d'aluminium en petits morceaux pour protéger les parties minces d'aliments de forme irrégulière, les os et les aliments comme les ailes et pilons de poulet et les queues de poisson. Voir d'abord la section « Papier d'aluminium et métal ».

### Temps de repos

Les aliments continuent à cuire par conduction naturelle de la chaleur même lorsque le programme du micro-ondes est terminé. La durée du repos dépend du volume et de la densité de l'aliment.

## Ustensiles de cuisson et vaisselle

La vaisselle et les ustensiles de cuisson doivent pouvoir être placés sur le plateau rotatif. Toujours utiliser des mitaines de four ou des poignées lors de la manipulation, car les plats peuvent devenir chauds puisqu'ils sont en contact avec des aliments. Ne pas utiliser des ustensiles de cuisson ou de la vaisselle avec garniture en or ou en argent. Utiliser le tableau suivant comme guide, ensuite faire un test avant utilisation.

Matériau	Recommandations
Papier d'aluminium, métal	Voir la section « Papier d'aluminium et métal ».
Plat brunisseur	La partie inférieure doit se trouver au moins à 3/16 po (5 mm) au-dessus du plateau tournant. Suivre les recommandations du fabricant.
Vitrocéramique, verre	Peut être utilisé
Porcelaine, terre cuite	Suivre les recommandations du fabricant.
Mélatamine	Suivre les recommandations du fabricant.
Papier : Chiffons, vaisselle, serviettes de table	Utiliser des produits non recyclés et ceux qui sont approuvés par le fabricant pour l'utilisation dans un four à micro-ondes.
Plastique : Emballages, sacs, couvercles, vaisselle, contenants	Utiliser des produits approuvés par le fabricant pour l'utilisation dans un four à micro-ondes.
Poterie et argile	Suivre les recommandations du fabricant.
Ustensiles de cuisson en silicone	Suivre les recommandations du fabricant.
Paille, osier, contenants en bois	Ne pas utiliser au four à micro-ondes.
Papier paraffiné	Peut être utilisé

### Pour vérifier si la vaisselle ou l'ustensile de cuisson peut être utilisé dans un four à micro-ondes :

1. Placer l'ustensile de cuisson ou la vaisselle dans le four à micro-ondes avec une tasse (250 ml) d'eau à côté de l'article.
2. Faire cuire à la puissance de cuisson maximale pendant 1 minute.

Ne pas utiliser cet ustensile de cuisson ou cet article de vaisselle s'il devient chaud alors que l'eau demeure froide.

## Papier d'aluminium et métal

Toujours utiliser des mitaines de four ou des poignées pour enlever un contenant du four à micro-ondes.

Le papier d'aluminium et certains métaux peuvent être utilisés dans le four à micro-ondes. Si ces articles ne sont pas correctement utilisés, des arcs (éclairs bleus) peuvent se produire et causer des dommages au four à micro-ondes.

### Peut être utilisé

Les grilles et les ustensiles de cuisson fournis avec le four à micro-ondes (sur certains modèles), la feuille d'aluminium pour protection et les thermomètres à viande approuvés peuvent être utilisés en respectant les précautions suivantes :

- Afin d'éviter d'endommager le four à micro-ondes, ne pas laisser les grilles en contact avec les parois internes, la voûte ou le fond du four.
- Toujours utiliser le plateau rotatif.
- Pour éviter d'endommager le four à micro-ondes, ne pas laisser un autre objet métallique entrer en contact avec le four à micro-ondes pendant la cuisson.

## Ne pas utiliser

Les ustensiles de cuisson en métal, or, argent ou étain, les thermomètres à viande non approuvés, les brochettes, les attaches, les doublures de papier d'aluminium comme les emballages de sandwich, les agrafes et autres objets avec garniture en or, en argent ou avec un enduit métallique.

## Cooking Menu (Menu de cuisson)

Le four à micro-ondes a été programmé avec des aliments communs allant au four à micro-ondes, leurs quantités, leurs puissances de cuisson et leurs durées de cuisson.

Utiliser le tableau suivant comme guide pour la cuisson pré-réglée.

Article	Catégories d'aliment	Quantité
P1	<b>Légumes frais</b> À partir de la température ambiante. Placer dans un plat allant au four à micro-ondes. Ajouter 2 cuillères à table d'eau à 1 ou 2 tasses, ajouter 4 cuillères à table d'eau à 3 ou 4 tasses. Couvrir le plat en laissant une ouverture pour l'aération. Remuer et laisser reposer 3 min après la cuisson.	1 à 4 tasses
P2	<b>Légumes surgelés</b> À partir de l'état congelé, placer dans un plat allant au four à micro-ondes, ajouter 2 cuillères à table d'eau à 1-2 tasses, ajouter 4 cuillères à table d'eau à 3-4 tasses. Couvrir le plat en laissant une ouverture pour l'aération. Remuer et laisser reposer 3 min après la cuisson.	1 à 4 tasses
P3	<b>Gruau</b> Placer dans un récipient allant au micro-ondes et ajouter de l'eau selon les instructions de l'emballage. Ajouter de l'eau, couvrir d'un film plastique et replier un bord d'environ 1/4 po (6 mm) pour faire une ouverture. Placer le plat au centre du four. Après la cuisson, remuer avec une cuillère ou un fouet jusqu'à consistance homogène.	1 à 4 tasses
P4	<b>Plat surgelé</b> Retirer le plat de l'emballage et détacher le film qui le recouvre sur 3 côtés du conteneur en laissant l'un des petits côtés encore attaché. Couvrir lâchement de pellicule. Laisser les plats de 10,5 et 20 oz (297 et 567 g) reposer pendant 3 minutes. Laisser reposer les plats de 38 et 60 oz (1,1 et 1,7 kg) pendant 5 minutes	10 oz, 20 oz (283 g, 567 g)

## Popcorn (Maïs à éclater)

### Sacs de 3,0 ou 3,5 oz.

- Ne pas utiliser de sachets de papier ordinaire ou d'articles en verre.
- Ne préparer qu'un sac de maïs à éclater à la fois.
- Suivre les instructions du fabricant lors de l'utilisation d'un éclateur de maïs pour four à micro-ondes.
- Attendre que l'éclatement ralentisse à 1 éclatement toutes les 1 ou 2 secondes, puis mettre fin au programme.
- Ne pas essayer de faire éclater les grains qui n'ont pas éclaté la première fois.
- Pour de meilleurs résultats, utiliser des sachets de maïs à éclater frais.
- Les résultats de cuisson peuvent varier en fonction de la marque et de la teneur en matières grasses.

**REMARQUE :** Suivre les instructions par le fabricant de maïs à éclater pour four à micro-ondes.

## Potato (Pomme de terre)

Article	Catégories d'aliment	Quantité
L – Grosse pomme de terre	Entrer 1 à 4 pommes de terre, 8 à 12 oz (227 à 340 g) chacun. Percer plusieurs fois chaque pomme de terre avec une fourchette. Placer sur un essuie-tout au centre du plateau rotatif. Laisser reposer 5 minutes après la cuisson.	1, 2, 3, 4 pommes de terre/ 1 pomme de terre
S – Petite pomme de terre	Entrer 1 à 16 pommes de terre, 3 à 5 oz (85 à 142 g) chacun. Percer plusieurs fois chaque pomme de terre avec une fourchette. Placer sur un essuie-tout au centre du plateau rotatif. Laisser reposer 5 min après la cuisson.	1 à 16 pommes de terre/ 1 pomme de terre

## Dinner Plate (Assiettée) (Reheat Menu [Réchauffage])

Les durées et puissances de cuisson ont été préréglées pour réchauffer plusieurs types d'aliments. Utiliser le tableau suivant comme guide.

Article	Catégories d'aliment	Quantité
P1	<b>Assiettée</b> Placer les aliments sur l'assiette. Recouvrir d'une pellicule de plastique et laisser une ouverture pour laisser l'air s'échapper. Laisser reposer 2 à 3 minutes après le réchauffage.	Grande (289 à 440 g), Petite
P2	<b>Soupe</b> Placer dans un plat allant au four à micro-ondes. Recouvrir d'une pellicule de plastique et laisser une ouverture pour laisser l'air s'échapper. Remuer et laisser reposer 2 à 3 minutes après le réchauffage.	1, 2, 3, 4 tasses
P3	<b>Boisson</b> Ne pas couvrir.	1, 2, 3, 4 tasses
P4	<b>Réchauffer la pizza</b> Placer sur une assiette résistante aux micro-ondes avec un essuie-tout posé par-dessus.	1 à 3 pointes de 4 oz (113 g) chacune

## Soften/Melt (Faire ramollir/Fondre)

La fonction pour ramollir peut être utilisée pour ramollir vos aliments. Les durées et puissances de cuisson ont été préréglées pour plusieurs types d'aliments. Utiliser le tableau suivant comme guide.

Article	Catégories d'aliment	Quantité
P1	<b>Butter (Beurre)</b> Déballer et placer dans un récipient résistant aux micro-ondes.	0,5 à 2,0 bâtons/0,5 bâton

## Beurre fondu

La fonction pour faire fondre peut être utilisée pour faire fondre vos aliments. Les durées et puissances de cuisson ont été préréglées pour plusieurs types d'aliments. Utiliser le tableau suivant comme guide.

Article	Catégories d'aliment	Quantité
P1	<b>Butter (Beurre)</b> Déballer et placer dans un récipient résistant aux micro-ondes.	0,5 à 2,0 bâtons/0,5 bâton
P2	<b>Pépites de chocolat</b> Placer dans un plat allant au four à micro-ondes	4 oz, 6 oz, 8 oz, 12 oz (113 à 340 g/113 g)
P3	<b>Fromage à la crème</b> Déballer et placer dans un récipient résistant aux micro-ondes	8 oz, 16 oz (227 g, 454 g)

## Auto Defrost (Décongélation automatique)

- Pour des résultats optimaux, la température de l'aliment doit être inférieure ou égale à 0 °F (-18 °C) lors de la décongélation.
- Déballer les aliments et enlever les couvercles (des jus de fruits) avant la décongélation.
- Les paquets peu épais décongèlent plus rapidement que les morceaux épais.
- Séparer les morceaux d'aliments le plus tôt possible durant ou à la fin du programme pour une décongélation plus uniforme.
- Les aliments laissés hors du congélateur pendant plus de 20 minutes ou les plats préparés surgelés ne doivent pas être décongelés en utilisant la caractéristique Defrost (Décongélation), mais doivent être décongelés manuellement.
- Utiliser de petits morceaux de papier d'aluminium pour protéger les aliments comme les ailes et pilons de poulet ainsi que les queues de poisson. Voir d'abord la section « Papier d'aluminium et métal ».
- Les durées et puissances de cuisson ont été préréglées pour décongeler plusieurs types d'aliments.

Article	Catégories d'aliment	Poids
P1	ManualDefrost (Décongélation manuelle)	-----
P2	Volaille	0,2 lb à 6,6 lb/0,1 lb (90 g-3 kg/45 g)
P3	Viande	0,2 lb à 6,6 lb/0,1 lb (90 g-3 kg/45 g)
P4	Poisson	0,2 lb à 6,6 lb/0,1 lb (90 g-3 kg/45 g)

Utiliser le tableau suivant comme guide lors de la décongélation de la volaille, de la viande ou du poisson

### TABLEAU DE PRÉPARATION DE DÉCONGÉLATION

#### VOLAILLE

<b>Poulet</b> : entier et en morceaux <b>Poulets de Cornouailles</b> <b>Dinde</b> : poitrine	Placer dans un contenant allant au micro-ondes, la poitrine de poulet vers le haut. Enlever les abats du poulet entier.
--	---

#### VIANDE

<b>Bœuf</b> : haché, bifteck, rôti, ragoût <b>Agneau</b> : ragoût et côtelettes <b>Porc</b> : côtelettes, côtes, rôtis, saucisse	Les sections étroites ou grasses des morceaux de forme irrégulière doivent être recouvertes de papier d'aluminium avant la décongélation.  Ne pas décongeler moins de 1/4 lb (113 g) ou deux galettes de 4 oz (113 g).  Placer toutes les viandes dans un contenant allant au micro-ondes.
--	--

## Steam Clean (Nettoyage à la vapeur)

Ce programme de nettoyage automatique vous aidera à nettoyer la cavité du four à micro-ondes et à éliminer les odeurs désagréables.

#### Avant de démarrer le programme :

1. Verser 250 ml d'eau dans un récipient (voir nos recommandations dans la section ci-dessous « Conseils et suggestions »).
2. Placer le récipient directement au milieu de la cavité.

#### Pour démarrer le programme :

1. Appuyer sur le bouton Steam Clean (Nettoyage à la vapeur), la durée du programme de nettoyage sera visible sur l'afficheur.

- Appuyer sur le bouton Start (Mise en marche) pour démarrer la fonction.

#### Une fois le programme terminé :

- Appuyer sur le bouton Cancel (annulation).
- Retirer le récipient.
- Utiliser un chiffon doux ou une serviette en papier avec du détergent doux pour nettoyer les surfaces intérieures.

#### Conseils et suggestions :

Pour un meilleur résultat de nettoyage, il est recommandé d'utiliser un récipient d'un diamètre de 17 à 20 cm et d'une hauteur inférieure à 6,5 cm.

Il est recommandé d'utiliser un récipient en matière plastique légère qui convient au micro-ondes.

Étant donné que le récipient sera chaud une fois le programme de nettoyage terminé, il est recommandé d'utiliser un gant résistant à la chaleur pour retirer le récipient du four à micro-ondes.

Pour un meilleur effet nettoyant et une élimination des odeurs désagréables, ajouter du jus de citron ou du vinaigre à l'eau.

## Keep Warm (Maintien au chaud)

Cette fonction permet de garder les plats au chaud.

- Appuyer sur le bouton Keep Warm (Maintien au chaud)
- Appuyer sur le bouton +/- pour sélectionner la durée appropriée (15, 30, 45, 60 min.), puis appuyer sur le bouton START (MISE EN MARCHÉ) pour démarrer. La durée par défaut est de 30 min, la durée max. est de 60 min.

Aliment	Poids du récipient	Température	Plat
Thon Nouille Casserole	4 tasses (880 g)	165 F (73,8 C)	Plat allant au micro-ondes

# ENTRETIEN DU FOUR À MICRO-ONDES

## Nettoyage général

**IMPORTANT :** Avant le nettoyage, s'assurer que toutes les commandes sont désactivées et que le four à micro-ondes est froid. Toujours suivre les instructions figurant sur les étiquettes des produits de nettoyage.

L'usage de savon, d'eau et d'un chiffon doux ou d'une éponge est suggéré, sauf indication contraire.

### CAVITÉ DU FOUR À MICRO-ONDES

Afin d'éviter d'endommager la cavité du four à micro-ondes, ne pas utiliser de tampons à récurer savonneux, de nettoyeurs abrasifs, de tampons en laine d'acier, de chiffons de lavage rêches ou certains essuie-tout.

Pour éviter d'endommager les modèles en acier inoxydable, frotter dans le sens du grain.

La zone de contact entre la porte fermée et le cadre du four à micro-ondes doit être maintenue propre.

#### Saleté moyenne

- Savons et détergents doux, non abrasifs : Rincer à l'eau propre et sécher avec un chiffon doux sans charpie.

#### Saleté tenace

- Savons et détergents doux, non abrasifs : Faire chauffer une tasse (250 ml) d'eau pendant 2 à 5 minutes dans le four à micro-ondes. La vapeur amollira la saleté. Rincer à l'eau propre et sécher avec un chiffon doux sans charpie.

#### Odeurs

- Jus de citron ou vinaigre : Faire chauffer une tasse (250 ml) d'eau avec 1 c. à soupe (15 ml) de jus de citron ou de vinaigre pendant 2 à 5 minutes dans le four à micro-ondes.

#### Capot d'orifice du tiroir à micro-ondes

Pour éviter de créer des arcs ou d'endommager le four à micro-ondes, le capot d'orifice (vois la section « Pièces et caractéristiques ») devrait toujours être propre.

- L'essuyer à l'aide d'un chiffon humide.

### EXTÉRIEUR ET PORTE DU FOUR À MICRO-ONDES

La zone de contact entre la porte fermée et le cadre du four à micro-ondes doit être maintenue propre.

- Savons et détergents doux, non abrasifs : Rincer à l'eau propre et sécher avec un chiffon doux sans charpie.
- Nettoyant à vitre et serviette de papier ou tampon à récurer non abrasif en plastique : Vaporiser du nettoyant à vitre sur la serviette, pas directement sur la surface.

#### Acier inoxydable (sur certains modèles)

Afin d'éviter d'endommager l'extérieur et la porte du four à micro-ondes, ne pas utiliser de tampons à récurer savonneux, de nettoyeurs abrasifs, de tampons en laine d'acier, de chiffons de lavage rêches ou certains essuie-tout. Frotter dans le sens du grain.

- Nettoyant pour acier inoxydable (vendu séparément) : Voir la section « Assistance ou service » pour commander.
- Détergent liquide ou nettoyant tout usage : Rincer à l'eau propre et sécher avec un chiffon doux sans charpie.
- Vinaigre pour les taches d'eau dure

### TABLEAU DE COMMANDE

- Éponge ou chiffon doux et eau : Mouiller l'éponge et essuyer le panneau. Sécher avec un chiffon doux.
- Afin d'éviter d'endommager le tableau de commande, ne pas utiliser de nettoyeurs chimiques ou abrasifs.

### PLATEAU ROTATIF

Remettre le plateau rotatif en place immédiatement après le nettoyage. Ne pas faire fonctionner le four à micro-ondes lorsque le plateau rotatif est enlevé.

- Nettoyant doux et tampon à récurer
- Lave-vaisselle

# DÉPANNAGE

Essayer d'abord les solutions suggérées ici. Pour obtenir de l'aide ou des recommandations supplémentaires pour éviter un appel de service, consulter la garantie ou visiter le [www.whirlpool.com/owners](http://www.whirlpool.com/owners). Au Canada, visiter le [www.whirlpool.ca/owners](http://www.whirlpool.ca/owners).

Il est possible d'adresser ses commentaires ou questions par courrier à l'adresse suivante :

Aux États-Unis :

Whirlpool Brand Home Appliances Customer experience Center  
553 Benson Road, Benton Harbor, MI 49022-2692

Indiquer dans votre correspondance un numéro de téléphone où l'on peut vous joindre dans la journée.

Au Canada :

Whirlpool Brand Home Appliances  
Customer eXperience Center  
200 – 6750 Century Ave.

Mississauga, Ontario L5N 0B7

Si les problèmes suivants surviennent	Solutions recommandées
Rien ne fonctionne	<p><b>Vérifier ce qui suit :</b></p> <ul style="list-style-type: none"><li>■ <b>Fusible ou disjoncteur :</b> Si le fusible est grillé ou que le disjoncteur s'est déclenché, remplacer le fusible ou réenclencher le disjoncteur. Si le problème persiste, appeler un électricien.</li></ul>
Le four à micro-ondes ne fonctionne pas	<p><b>Vérifier ce qui suit :</b></p> <ul style="list-style-type: none"><li>■ <b>Magnétron :</b> Faire chauffer 1 tasse (250 ml) d'eau froide pendant 2 minutes à puissance de cuisson maximale. Si l'eau ne chauffe pas, essayer les étapes ci-dessous. Si le four à micro-ondes ne fonctionne toujours pas, faire un appel de service.</li><li>■ <b>Porte :</b> Bien fermer la porte. Sur certains modèles, si une cale d'espacement est fixée à l'intérieur de la porte, la retirer puis bien fermer la porte. Si un message concernant la porte s'affiche, la porte a été fermée depuis au moins 5 minutes sans que le four à micro-ondes ait été mis en marche. Le but du message est d'éviter une mise en marche accidentelle du four à micro-ondes. Ouvrir et fermer la porte, puis démarrer le programme.</li><li>■ <b>Commande :</b> Vérifier que la commande est réglée correctement. Vérifier que Control Lock (verrouillage des commandes) est désactivé. Vérifier que le mode Demo (Démonstration) (sur certains modèles) est éteint.</li></ul>
Le four à micro-ondes bourdonne	<ul style="list-style-type: none"><li>■ Ce bruit est normal et se produit lorsque le bloc d'alimentation dans le magnétron se met en marche.</li></ul>
La porte du four à micro-ondes semble gondolée	<ul style="list-style-type: none"><li>■ Ceci est normal et n'affecte pas la performance.</li></ul>
Le plateau rotatif ne fonctionne pas	<p><b>Vérifier ce qui suit :</b></p> <ul style="list-style-type: none"><li>■ <b>Plateau rotatif :</b> S'assurer que le plateau rotatif est à l'endroit et repose bien sur son support. Voir la section « Plateau rotatif ».</li><li>■ <b>Support du plateau rotatif :</b> Retirer le plateau rotatif. Retirer et nettoyer l'axe, les roulettes et le support du plateau rotatif. Replacer l'axe, le support et le plateau rotatif. Placer une tasse (250 ml) d'eau sur le plateau rotatif, puis remettre le four à micro-ondes en marche. S'il ne fonctionne toujours pas, faire un appel de service. Voir la section « Garantie ». Ne pas faire fonctionner le four à micro-ondes si le plateau rotatif et son support ne fonctionnent pas correctement. <a href="http://www.jennair.com/create-account">www.jennair.com/create-account</a>, ou au Canada le</li></ul>
Le plateau rotatif tourne dans les deux sens	<ul style="list-style-type: none"><li>■ Ceci est normal et dépend de la rotation du moteur au début du programme.</li></ul>
L'afficheur indique le compte à rebours, mais le four à micro-ondes ne fonctionne pas	<p><b>Vérifier ce qui suit :</b></p> <ul style="list-style-type: none"><li>■ <b>Timer (Minuterie) :</b> Consulter la section « Minuterie ».</li></ul>
Les signaux sonores ne retentissent pas	<p><b>Vérifier ce qui suit :</b></p> <ul style="list-style-type: none"><li>■ <b>Signaux sonores :</b> Voir la section « Signaux sonores ».</li></ul>
Les durées de cuisson semblent trop longues	<p><b>Vérifier ce qui suit :</b></p> <ul style="list-style-type: none"><li>■ <b>La puissance de cuisson :</b> Consulter le « Tableau de puissance de cuisson du four à micro-ondes ».</li><li>■ <b>Quantité d'aliments :</b> Les quantités plus grandes d'aliments nécessitent des durées de cuisson plus longues.</li><li>■ <b>Tension :</b> Faire vérifier le système électrique du domicile par un électricien qualifié.</li></ul>
Interférence des signaux radio, de télévision et de téléphones sans fil	<p><b>Vérifier ce qui suit :</b></p> <ul style="list-style-type: none"><li>■ <b>Proximité :</b> Déplacer le récepteur pour l'éloigner du four à micro-ondes ou régler l'antenne de la radio ou du téléviseur. Si le four à micro-ondes est branché sur la même prise, essayer une autre prise pour l'appareil électronique.</li><li>■ <b>Saleté :</b> Vérifier que la porte du four à micro-ondes et les surfaces d'étanchéité sont propres.</li><li>■ <b>Fréquence :</b> Certains téléphones sans fil et réseaux domestiques sans fil à 2,4 GHz peuvent être parasités lorsque le four à micro-ondes est en marche. Utiliser un téléphone avec fil, un téléphone sans fil avec une fréquence différente ou éviter d'utiliser ces appareils pendant le fonctionnement du four à micro-ondes.</li></ul>

---

# ASSISTANCE OU DÉPANNAGE

---

## Pour obtenir un dépannage :

Consultez la garantie du présent manuel.

## Pour obtenir des pièces de rechange :

Pour commander des pièces de rechange, nous vous recommandons d'utiliser seulement des pièces spécifiées par l'usine. Les pièces de rechange spécifiées par l'usine conviendront et fonctionneront bien parce qu'elles sont fabriquées selon la même précision que celle utilisée pour fabriquer chaque nouvel appareil Whirlpool.

Pour savoir où trouver des pièces spécifiées par l'usine dans votre région, nous appelons ou contacter le centre de service désigné par Whirlpool® le plus proche.

---

## Aux É.-U.

Appeler sans frais le Whirlpool Customer eXperience Center au : **1 866 698-2538** ou visiter notre site Web au **www.whirlpool.com/owners**.

## Nos conseillers peuvent vous aider sur les points suivants :

- Programmation d'une intervention de dépannage. Les techniciens de service désignés par la gamme des appareils électroménagers Whirlpool® sont formés pour remplir la garantie des produits et fournir un service après garantie partout aux États-Unis
- Caractéristiques et spécifications de notre gamme complète d'appareils ménagers.
- Consulter le revendeur local d'appareils Whirlpool®.
- Renseignements sur l'installation.
- Procédures d'utilisation et d'entretien.
- Vente d'accessoires et de pièces de rechange.
- Assistance spécialisée au client (langue espagnole, malentendants, malvoyants, etc.).

## Pour plus d'assistance :

Pour obtenir plus d'assistance, écrire à Whirlpool en soumettant tout question ou problème à :

Whirlpool Brand Home Appliances  
Customer experience Center  
553 Benson Road  
Benton Harbor, MI 49022-2692

Indiquer dans votre correspondance un numéro de téléphone où l'on peut vous joindre dans la journée.

## Au Canada

Appeler sans frais le Whirlpool Customer eXperience Center au : **1 800 807-6777** ou visiter notre site Web au **www.whirlpool.ca/owners**.

## Nos conseillers peuvent vous aider sur les points suivants :

- Programmation d'une intervention de dépannage. Les techniciens de service désignés par la gamme d'appareils électroménagers Whirlpool® sont formés pour remplir la garantie des produits et fournir un service après la garantie, partout au Canada.
- Caractéristiques et spécifications de notre gamme complète d'appareils ménagers.
- Consulter le revendeur local d'appareils Whirlpool®.
- Procédures d'utilisation et d'entretien.
- Vente d'accessoires et de pièces de rechange.

## Pour plus d'assistance :

Pour obtenir plus d'assistance, écrire à Whirlpool en soumettant tout question ou problème à :

Customer eXperience Center  
Whirlpool Canada  
200 – 6750 Century Ave.  
Mississauga, Ontario L5N 0B7

Indiquer dans votre correspondance un numéro de téléphone où l'on peut vous joindre dans la journée.

---

## Pièces de rechange

Plateau rotatif en verre  
Numéro de pièce W11755303  
Support et roulettes du plateau rotatif  
Numéro de pièce W11755305

Axe du plateau rotatif  
Numéro de pièce W11755304

# GARANTIE LIMITÉE WHIRLPOOL® SUR LES GROS APPAREILS MÉNAGERS

ATTACHEZ ICI VOTRE REÇU DE VENTE. UNE PREUVE D'ACHAT EST OBLIGATOIRE POUR OBTENIR L'APPLICATION DE LA GARANTIE

Lorsque vous appelez le Customer eXperience Center, veuillez garder à portée de main les renseignements suivants :

- Nom, adresse et numéro de téléphone
- Numéros de modèle et de série
- Une description claire et détaillée du problème rencontré
- Une preuve d'achat incluant le nom et l'adresse du marchand ou du détaillant

## SI VOUS AVEZ BESOIN D'UN DÉPANNAGE :

1. Avant de nous contacter pour obtenir un dépannage, veuillez déterminer si des réparations sont nécessaires pour votre produit. Certains problèmes peuvent être résolus sans intervention de dépannage. Veuillez prendre quelques minutes pour consulter la section Dépannage du Guide d'utilisation et d'entretien ou visitez le [producthelp.whirlpool.com](http://producthelp.whirlpool.com).
2. Tout service sous garantie doit être effectué exclusivement par nos fournisseurs de dépannage autorisés Whirlpool. Aux É.-U. et au Canada, dirigez toutes vos demandes de service sous garantie au :

**Whirlpool Customer eXperience Center**

**Aux États-Unis, composez le 1 800 253-1301. Au Canada, composez le 1 800 807-6777.**

Si vous résidez à l'extérieur du Canada et des 50 États des États-Unis, contactez votre marchand Whirlpool autorisé pour déterminer si une autre garantie s'applique.

## GARANTIE LIMITÉE DE UN AN

### CE QUI EST COUVERT

Pendant un an à compter de la date d'achat, lorsque ce gros appareil ménager est installé, utilisé et entretenu conformément aux instructions jointes à ou fournies avec le produit, Whirlpool Corporation ou Whirlpool Canada LP (ci-après désignées « Whirlpool ») décidera à sa seule discrétion de remplacer le produit ou de couvrir le coût des pièces de remplacement spécifiées par l'usine et de la main-d'œuvre nécessaires pour corriger les vices de matériaux ou de fabrication qui existaient déjà lorsque ce gros appareil ménager a été acheté. S'il est remplacé, votre appareil restera sous garantie pour la durée restant à courir de la période de garantie sur le produit d'origine.

LE SEUL ET EXCLUSIF RECOURS DU CLIENT DANS LE CADRE DE LA PRÉSENTE GARANTIE LIMITÉE EST LA RÉPARATION DU PRODUIT COMME PRÉVU PAR LA PRÉSENTE. L'entretien doit être fourni par une compagnie de service désignée par Whirlpool. Cette garantie limitée est valide uniquement aux États-Unis ou au Canada et s'applique exclusivement lorsque le gros appareil ménager est utilisé dans le pays où il a été acheté. La présente garantie limitée est valable à compter de la date d'achat initial par le consommateur. Une preuve de la date d'achat initial est exigée pour obtenir un dépannage dans le cadre de la présente garantie limitée.

### CE QUI N'EST PAS COUVERT

1. Usage commercial, non résidentiel ou par plusieurs familles, ou non-respect des instructions de l'utilisateur, de l'opérateur ou des instructions d'installation.
2. Visite d'instruction à domicile pour montrer à l'utilisateur comment utiliser l'appareil.
3. Visites de service pour rectifier une installation ou un entretien fautifs du produit, une installation non conforme aux codes d'électricité ou de plomberie ou la rectification de l'installation électrique ou de la plomberie du domicile (c.-à-d. : câblage électrique, fusibles ou tuyaux d'arrivée d'eau du domicile).
4. Pièces consommables (p. ex. : ampoules, piles, filtres à air ou à eau, solutions de conservation).
5. Défauts ou dommage résultant de l'utilisation de pièces ou d'accessoires d'une origine autre que Whirlpool.
6. Conversion de votre produit du gaz naturel ou du gaz propane.
7. Dommages causés par : accident, mauvaise utilisation, abus, incendie, inondations, catastrophe naturelle ou utilisation de produits non approuvés par Whirlpool.
8. Réparations aux pièces ou systèmes dans le but de rectifier un dommage ou des défauts résultant d'une réparation, d'une altération ou d'une modification non autorisée faite à l'appareil.
9. Défauts d'apparence, notamment les éraflures, traces de choc, fissures ou tout autre dommage subi par le fini de l'appareil ménager, à moins que ces dommages ne résultent de vices de matériaux ou de fabrication et ne soient signalés à Whirlpool dans les 30 jours.
10. Décoloration, rouille ou oxydation des surfaces résultant d'environnements caustiques ou corrosifs incluant des concentrations élevées de sel, un haut degré d'humidité ou une exposition à des produits chimiques (exemples non exhaustifs).
11. Perte d'aliments ou de médicaments suite à une défaillance de l'appareil.
12. Le ramassage ou la livraison. Ce produit est conçu uniquement pour être réparé à l'intérieur du domicile.
13. Frais de déplacement et de transport pour le dépannage/la réparation dans une région éloignée où une compagnie de service Whirlpool autorisée n'est pas accessible.
14. Retrait ou réinstallation d'appareils inaccessibles ou de dispositifs préinstallés (c.-à-d. : garnitures, panneaux décoratifs, plancher, meubles, îlots de cuisine, plans de travail, panneaux de gypse) qui entravent le dépannage, le retrait ou le remplacement du produit.
15. Service et pièces pour des appareils dont les numéros de série et de modèle originaux ont été enlevés, modifiés ou ne peuvent pas être facilement identifiés.

**Le coût d'une réparation ou d'un remplacement dans le cadre de ces circonstances exclues est à la charge du client :**

## CLAUSE D'EXONÉRATION DE RESPONSABILITÉ AU TITRE DES GARANTIES IMPLICITES

LES GARANTIES IMPLICITES, Y COMPRIS LES GARANTIES APPLICABLES DE QUALITÉ MARCHANDE OU D'APTITUDE À UN USAGE PARTICULIER, SONT LIMITÉES À UN AN OU À LA PLUS COURTE PÉRIODE AUTORISÉE PAR LA LOI. Certains États et certaines provinces ne permettent pas de limitation sur la durée des garanties implicites de qualité marchande ou d'aptitude à un usage particulier, de sorte que la limitation ci-dessus peut ne pas être applicable dans votre cas. Cette garantie vous confère des droits juridiques spécifiques et vous pouvez également jouir d'autres droits qui peuvent varier d'une juridiction à l'autre.

## EXONÉRATION DE RESPONSABILITÉ DANS LES DOMAINES NON COUVERTS PAR LA GARANTIE

Whirlpool décline toute responsabilité au titre de la qualité, de la durabilité ou en cas de dépannage ou de réparation nécessaire sur cet appareil ménager autre que les responsabilités énoncées dans la présente garantie. Si vous souhaitez une garantie plus étendue ou plus complète que la garantie limitée fournie avec ce gros appareil ménager, adressez-vous à Whirlpool ou à votre détaillant pour obtenir les modalités d'achat d'une garantie étendue.

## LIMITATION DES RECOURS : EXCLUSION DES DOMMAGES FORTUITS OU INDIRECTS

LE SEUL ET EXCLUSIF RECOURS DU CLIENT DANS LE CADRE DE LA PRÉSENTE GARANTIE LIMITÉE EST LA RÉPARATION DU PRODUIT COMME PRÉVU PAR LA PRÉSENTE. WHIRLPOOL NE SERA PAS TENUE RESPONSABLE DES DOMMAGES DIRECTS OU INDIRECTS. Certains États et certaines provinces ne permettent pas l'exclusion ou la limitation des dommages fortuits ou indirects de sorte que ces limitations et exclusions peuvent ne pas être applicables dans votre cas. Cette garantie vous confère des droits juridiques spécifiques et vous pouvez également jouir d'autres droits qui peuvent varier d'une juridiction à l'autre.

# SEGURIDAD DEL HORNO MICROONDAS

## Su seguridad y la seguridad de los demás es muy importante.

Hemos incluido muchos mensajes importantes de seguridad en este manual y en su electrodoméstico. Lea y obedezca siempre todos los mensajes de seguridad.



Este es el símbolo de alerta de seguridad.

Este símbolo le llama la atención sobre peligros potenciales que pueden ocasionar la muerte o una lesión a usted y a los demás.

Todos los mensajes de seguridad irán a continuación del símbolo de advertencia de seguridad y de la palabra "PELIGRO" o "ADVERTENCIA". Estas palabras significan:

 **PELIGRO**

**Si no sigue las instrucciones de inmediato, usted puede morir o sufrir una lesión grave.**

 **ADVERTENCIA**

**Si no sigue las instrucciones, usted puede morir o sufrir una lesión grave.**

Todos los mensajes de seguridad le dirán el peligro potencial, le dirán cómo reducir las posibilidades de sufrir una lesión y lo que puede suceder si no se siguen las instrucciones.

## INSTRUCCIONES IMPORTANTES DE SEGURIDAD

Al utilizar aparatos eléctricos, se deben seguir las precauciones básicas de seguridad, entre las que se incluyen las siguientes:

**ADVERTENCIA:** Para minimizar el riesgo de quemaduras, choque eléctrico, incendio, lesiones a las personas o exposición a energía de microondas excesiva:

- Lea todas las instrucciones antes de usar el horno microondas.
- Lea y siga las "PRECAUCIONES PARA EVITAR LA POSIBLE EXPOSICIÓN A ENERGÍA DE MICROONDAS EXCESIVA" específicas que se muestran en esta sección.
- El horno de microondas deberá estar conectado a tierra. Conéctelo solamente a un contacto debidamente conectado a tierra. Consulte las "INSTRUCCIONES DE CONEXIÓN A TIERRA" en esta sección y en las "INSTRUCCIONES DE INSTALACIÓN".
- Instale o ubique el horno microondas únicamente según las instrucciones de instalación proporcionadas.
- Algunos productos, como los huevos enteros con cáscara y los contenedores cerrados (por ejemplo, los frascos de vidrio cerrados) pueden explotar y, por ese motivo, no se deben calentar en el horno microondas.
- Utilice el horno microondas solo para su uso previsto como se indica en este manual. No utilice químicos corrosivos o vapores en el horno microondas. Este tipo de horno se encuentra diseñado específicamente para calentar, cocinar o secar alimentos.
- Como con cualquier aparato, si lo utilizan niños se necesita una estrecha supervisión.
- No use el horno microondas si el cable o enchufe se encuentran dañados, no está funcionando adecuadamente o ha sufrido daños o caídas.
- Solo personal calificado debe realizar el mantenimiento del horno microondas. Comuníquese con alguna empresa de servicio autorizada para su examen, reparación o ajuste.
- No cubra ni bloquee ninguna abertura del horno microondas.
- No use el horno de microondas cerca del agua – por ejemplo, cerca de un fregadero, en un sótano húmedo, o cerca de una piscina o lugares similares.
- No sumerja el cable ni el enchufe en agua.
- Mantenga el cable lejos de las superficies calientes.
- No deje que el cable cuelgue del borde de la mesa o del mostrador.
- Vea las instrucciones de limpieza de la superficie de la puerta en la sección "Cuidado del horno microondas".
- Para reducir el riesgo de incendio en la cavidad del horno:
  - No recueza los alimentos. Vigile el horno microondas si utiliza papel, plástico u otros materiales combustibles dentro de este para facilitar la cocción.
  - Retire las amarras de alambre de las bolsas de papel o plástico antes de introducir las en el horno.
  - Si algún material se prende fuego dentro del horno, mantenga la puerta cerrada, apague el horno y desenchúfelo o corte la corriente en el panel de fusibles o del disyuntor.
  - No deje productos de papel, utensilios de cocina o alimentos en la cavidad cuando no se encuentre en uso.

**GUARDE ESTAS INSTRUCCIONES**

## INSTRUCCIONES IMPORTANTES DE SEGURIDAD

■ Los líquidos, como el agua, café o té, se pueden sobrepasar del punto de ebullición sin que parezca que están hirviendo. La ebullición o las burbujas visibles no se encuentran siempre presentes al retirar el contenedor del horno microondas. ESTO PUEDE TENER COMO RESULTADO LÍQUIDOS MUY CALIENTES QUE HIERVEN REPENTINAMENTE AL MOVER EL CONTENEDOR O INSERTAR UNA CUCHARA U OTRO UTENSILIO EN EL LÍQUIDO.

A fin de reducir el riesgo de lesiones personales:

- No caliente el líquido más de lo necesario.
- Revuelva el líquido antes y mientras se calienta.
- No utilice contenedores de una pieza con cuello delgado.
- Después de calentarlo, deje reposar el contenedor en el horno de microondas por unos momentos antes de retirarlo.
- Tenga extremo cuidado al insertar una cuchara u otro utensilio en el contenedor.

## GUARDE ESTAS INSTRUCCIONES

## PRECAUCIONES PARA EVITAR LA POSIBLE EXPOSICIÓN A ENERGÍA EXCESIVA DE MICROONDAS

- (a) No intente operar este horno con la puerta abierta ya que esto puede resultar en exposición nociva a energía de microondas. Es importante no forzar o impedir la operación de las trabas de seguridad.
- (b) No ponga ningún objeto entre la cara frontal del horno y la puerta y no permita que se acumule polvo o residuos de limpiadores en las superficies de sellado.
- (c) No opere el horno si éste está dañado. Es particularmente importante que la puerta del horno cierre correctamente y que no haya daño en:
- (1) La puerta (torcida),
  - (2) Bisagras y seguros (rotos o flojos),
  - (3) Sellos de la puerta y superficies de sellado.
- (d) El horno no debe ser ajustado o reparado por nadie, excepto personal de servicio calificado.

“Este dispositivo cumple con la parte 18 de las reglas de la FCC.  
Este dispositivo cumple con la norma ICES-001 de Industry Canada.”

# INSTRUCCIONES DE INSTALACIÓN

## Desempaque

1. Retire todo el material de empaque del interior del horno microondas.
2. Limpie el interior con un paño suave húmedo.
3. Revise si hay daños, como:
  - Una puerta que no esté alineada correctamente,
  - Daños alrededor de la puerta, o
  - Abolladuras en el interior o el exterior del horno microondas.

Si hay algún daño, no use el horno microondas hasta que un técnico de servicio designado lo haya revisado y hecho cualquier reparación necesaria.

**NOTA:** Para evitar daños al horno microondas, **no retire la cubierta de la entrada.** Consulte la sección “Piezas y funciones”.

## Requisitos de ubicación

### ⚠ ADVERTENCIA

#### Peligro de Peso Excesivo

**Use dos o más personas para mover e instalar el horno de microondas.**

**No seguir esta instrucción puede ocasionar una lesión en la espalda u otro tipo de lesiones.**

**IMPORTANTE:** El lado de los controles del horno microondas es el lado pesado. Manipule el horno microondas con delicadeza. El peso del horno microondas supera las 35 libras (15,9 kg).

- Coloque el horno microondas en un carro, mostrador, mesa o estante lo suficiente fuerte como para sostener el horno microondas y la comida y los utensilios que se coloquen en el interior.
- El horno microondas deberá estar a una temperatura de más de 50 °F (10 °C) para que funcione adecuadamente.

**NOTA:** Algunos modelos pueden empotrarse en la pared o en un gabinete utilizando uno de los juegos de adorno que figuran en la sección “Asistencia o servicio técnico”.

- No bloquee los ductos de escape ni los orificios de entrada de aire. Deje algunas pulgadas de espacio en la parte posterior y a los lados del horno microondas en donde se encuentran los ductos de escape. Si los ductos de escape se bloquean, se podrían producir daños en el horno microondas, así como resultados de cocción deficientes.
- Asegúrese de que las patas niveladoras estén en su lugar para garantizar el flujo de aire adecuado. Si los ductos se bloquean, un mecanismo térmico sensible podría apagar el horno microondas automáticamente. El horno microondas deberá funcionar correctamente una vez que se haya enfriado.

## Requisitos eléctricos

### ⚠ ADVERTENCIA



#### Peligro de Choque Eléctrico

**Conecte a un contacto de pared de conexión a tierra de 3 terminales.**

**No quite la terminal de conexión a tierra.**

**No use un adaptador.**

**No use un cable eléctrico de extensión.**

**No seguir estas instrucciones puede ocasionar la muerte, incendio o choque eléctrico.**

Respete todas las normativas y reglamentos vigentes.

**Se necesita:**

- Un suministro eléctrico de 120 V, 60 Hz, CA solamente, de 15 A o 20 A con fusible o disyuntor.

**Se recomienda:**

- Un fusible o un disyuntor retardador.
- Un circuito separado que preste servicio solamente a este horno microondas.

## INSTRUCCIONES PARA LA CONEXIÓN A TIERRA

- **Para todos los aparatos electrodomésticos de conexión con cable:**

El horno de microondas debe estar conectado a tierra. En caso de que se produzca un cortocircuito, la conexión a tierra reduce el riesgo de electrocución por medio de un alambre de escape para la corriente eléctrica. El horno de microondas está equipado con un cable que tiene un alambre de conexión a tierra con un enchufe para conexión a tierra. El enchufe debe estar conectado a un tomacorriente que está correctamente instalado y conectado a tierra.

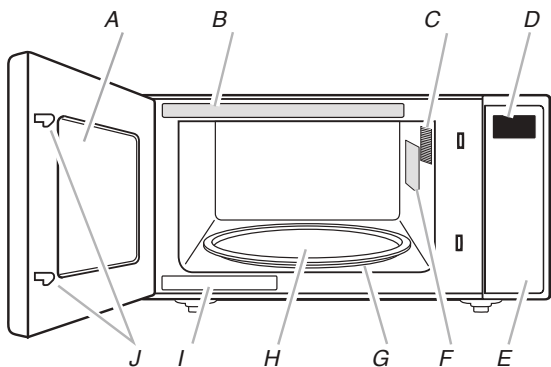
**ADVERTENCIA:** El uso incorrecto del enchufe para la conexión a tierra puede resultar en riesgo de electrocución. Consulte con un electricista o técnico calificado si las instrucciones para conexión a tierra no se entienden bien o si hay alguna duda con respecto a la correcta conexión a tierra del horno de microondas.

No use un cable de extensión. Si el cable de suministro eléctrico es muy corto, haga que un electricista o técnico calificado instale un tomacorriente cerca del horno de microondas.

## GUARDE ESTAS INSTRUCCIONES

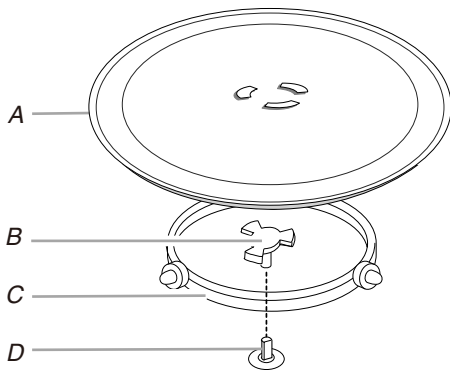
# PIEZAS Y CARACTERÍSTICAS

Este manual puede cubrir varios modelos diferentes. El modelo que adquirió puede tener algunas o todas las funciones que aparecen a continuación. La apariencia de su modelo en particular puede ser ligeramente diferente de las ilustraciones en este manual.



- |                                       |   |
|---------------------------------------|---|
| A. Ventana                            | G. Soporte desmontable de bandeja giratoria |
| B. Etiqueta con guía de cocción       | H. Bandeja giratoria de vidrio              |
| C. Luz del horno microondas           | I. Placa de número de modelo y de serie     |
| D. Pantalla                           | J. Sistema de bloqueo de la puerta          |
| E. Panel de control                   |   |
| F. Cubierta de entrada del microondas |   |

## Bandeja giratoria



- A. Bandeja giratoria  
 B. Eje  
 C. Soporte  
 D. Eje

La bandeja giratoria puede rotar en ambas direcciones para ayudar a cocinar los alimentos de manera más pareja. Para obtener resultados de cocción óptimos, no utilice el horno microondas sin la bandeja giratoria en su lugar. Consulte la sección "Asistencia o servicio técnico" para volver a pedir alguna de las piezas.

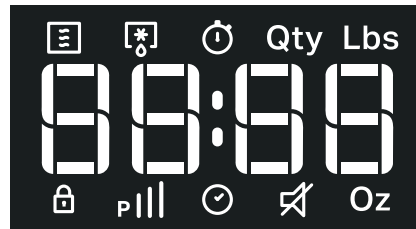
### Para instalar:

1. Coloque el soporte en la base de la cavidad del horno microondas.
2. Coloque la bandeja giratoria sobre el soporte.

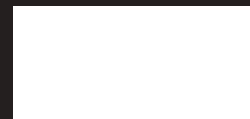
Las líneas curvas elevadas del centro de la parte inferior de la bandeja giratoria deben encajarse entre los tres rayos del eje. Los rodillos del soporte deben encajar dentro del canal debajo de la bandeja giratoria.

# CONTROL DEL HORNO MICROONDAS

MW Defrost Timer Qty Lbs



Lock Power Clock Mute Oz



### AUTO FUNCTIONS

Popcorn Potato Reheat

Cook Soften Melt

### OPTIONS

Defrost Keep Warm Steam Clean

### EXPRESS START

1 2 3

4 5 6

7 8 9

Timer  
Hold to Set  
Clock

0

Cook Time  
Power

STOP  
UNLOCK

START  
+30 sec

## Instrucciones del teclado

Teclado	Función	Instrucciones
Timer (Temporizador) (Hold to Set Clock [Mantenga presionado para configurar el reloj])	Mantenga presionado para configurar el reloj	<p>Para ajustar el reloj, siga las instrucciones a continuación:</p> <ol style="list-style-type: none"> <li>1. Presione TIMER (TEMPORIZADOR) por 3 segundos para ingresar a los ajustes del reloj.</li> <li>2. Presione el botón 0-9 para ajustar la hora, presione el botón START (INICIO) para confirmar.</li> <li>3. Presione el botón numérico 0-9 para ajustar los minutos.</li> <li>4. Presione el botón START (INICIO).</li> </ol> <p><b>NOTA:</b> El horno microondas debe estar en modo de espera. También aparecerá cada vez que se conecte el producto. La pantalla muestra "12 Hr" ("12" parpadea), presione el botón del temporizador para cambiar el formato de 12 o 24 horas, presione START (INICIO) para confirmar; luego la pantalla muestra "12:00".</p>
Timer (Temporizador) (Hold to Set Clock [Mantenga presionado para configurar el reloj])	Ajuste el temporizador de cocción	<p>El temporizador de cocción funciona como un cronómetro. Para configurar el temporizador de cocción, siga las instrucciones a continuación:</p> <ol style="list-style-type: none"> <li>1. Presione el botón de Timer (Temporizador).</li> <li>2. Presione el botón 0-9 para ingresar el tiempo que desee.</li> <li>3. Presione el botón START (INICIO).</li> </ol> <p><b>NOTA:</b> Cuando la cuenta regresiva del temporizador está activa en la pantalla, toque STOP/Unlock (PARAR/Desbloquear) para parar el temporizador. El temporizador no pone en marcha ni detiene el horno microondas.</p>
INICIO + 30 Sec (+ 30 seg)	Añadir 30 segundos	<p>El botón Start (Inicio) puede utilizarse de dos maneras:</p> <ol style="list-style-type: none"> <li>1. Para poner en marcha el microondas cocinando durante 30 segundos a PLENA potencia en modo de espera.</li> <li>2. Para aumentar el tiempo de cocción con incrementos de 30 segundos. Cada pulsación añade 30 segundos.</li> </ol>
INICIO + 30 Sec (+ 30 seg)	Función de inicio	<p>Presione el botón START (INICIO) para iniciar cualquier función de cocción. Si se interrumpe la cocción al abrir la puerta, toque el botón START (INICIO) después de cerrar la puerta nuevamente para reanudar el ciclo.</p>
STOP/UNLOCK (PARAR/ DESBLOQUEAR)	Función Pause/Stop (Pausar/ Parar) del microondas	<p>El botón STOP/UNLOCK (PARAR/DESBLOQUEAR) detiene todas las funciones del horno microondas, con excepción del reloj.</p> <p>El horno microondas también se apagará cuando la puerta se abra. Cuando se abra la puerta, los elementos se apagarán pero la luz del horno microondas seguirá encendida. Cierre la puerta y toque el botón START (INICIO) para reanudar el ciclo.</p>
STOP/UNLOCK (PARAR/ DESBLOQUEAR)	Apertura de puerta de 2 pasos	<p>Este microondas viene con la función añadida de una funcionalidad de apertura de puerta de 2 pasos para evitar el acceso no deseado.</p> <p>El botón STOP/UNLOCK (PARAR/DESBLOQUEAR) puede usarse para pausar/cancelar la función durante el tiempo de cocción o cuando este finalice.</p> <p>El botón STOP/UNLOCK (PARAR/DESBLOQUEAR) puede usarse para la apertura de puerta de 2 pasos:</p> <ol style="list-style-type: none"> <li>1. Una vez que establezca el tiempo de cocción y presione el botón START (INICIO), aparecerá el ícono de puerta cerrada en la pantalla.</li> <li>2. Para abrir el microondas: <ul style="list-style-type: none"> <li>■ Presione STOP/UNLOCK (PARAR/DESBLOQUEAR).</li> <li>■ Tire de la manilla de la puerta.</li> </ul> </li> </ol> <p><b>NOTA:</b> Una vez que presione el botón STOP/UNLOCK (PARAR/DESBLOQUEAR) para detener/pausar cualquier función, el ícono de bloqueo de la puerta desaparecerá durante 10 segundos y podrá tirar de la manija de la puerta para abrirla.</p> <p>Volverá aparecer el ícono de puerta cerrada después de 10 segundos y necesitará repetir los pasos 1 y 2 para volver a abrirla.</p> <p><b>NOTA:</b> Cuando la máquina se enciende después de enchufarla, la función de puerta de 2 pasos no se activará.</p> <p>Si un ciclo de cocción comienza después de que se cierra la puerta, se requieren 2 pasos para abrir la puerta. Una vez usados los 2 pasos para abrir la puerta y si esta se cierra y no se aplica potencia de cocción, podrá abrir la puerta con solo tirar de la manija.</p>

Teclado	Función	Instrucciones
0 - 9	Número del botón	<p><b>NOTA:</b> Este microondas viene con la función añadida de una funcionalidad de apertura de puerta de 2 pasos para evitar el acceso no deseado. Cuando los niños no tienen acceso al electrodoméstico, hay una función de desactivación si no se necesita la funcionalidad de 2 pasos.</p> <p>Deshabilitar/habilitar la operación de la función de puerta de 2 pasos en la pantalla:</p> <p>Pasos para desactivar el funcionamiento de la función de puerta de 2 pasos:</p> <ol style="list-style-type: none"> <li>1. Después de presionar el botón STOP/UNLOCK (PARAR/DESBLOQUEAR) durante 3 segundos, se mostrará "DI:_0" en la pantalla.</li> <li>2. Tras presionar el botón "0", en la pantalla aparecerá "DI:_1".</li> <li>3. Presione el botón START (INICIO) para confirmar.</li> </ol> <p><b>NOTA:</b> DI (DESACTIVAR)</p> <p><b>NOTA:</b> Si desconecta el microondas, recordará la última operación. No necesitará desactivar o activar de nuevo la función de 2 pasos de la puerta. Pasos para activar el funcionamiento de la función de puerta de 2 pasos:</p> <p>Pasos para activar el funcionamiento de la función de puerta de 2 pasos:</p> <ol style="list-style-type: none"> <li>1. Después de presionar el botón STOP/UNLOCK (PARAR/DESBLOQUEAR) durante 3 segundos, se mostrará "EA:_0" en la pantalla.</li> <li>2. Tras presionar el botón "0", en la pantalla aparecerá "EA:_1".</li> <li>3. Presione el botón START (INICIO) para confirmar.</li> </ol> <p><b>NOTA:</b> EA (ACTIVAR)</p> <p><b>IMPORTANTE:</b> La desactivación de esta función solo debe realizarse cuando el propietario esté seguro y los niños no estén presentes.</p> <p>El usuario puede presionar el botón 0-9 para seleccionar el tiempo de cocción, la clase de alimento, el peso del alimento.</p> <p>En modo de espera, presione el botón 1 o 2 o 3, el horno microondas al 100% de potencia durante 1 min, 2 min, 3 min de tiempo de cocción directamente. No es necesario presionar el botón START (INICIO) para confirmar.</p>
Cook Time/Power (Tiempo/Intensidad de cocción)	Configurar la cocción manual tiempo e intensidad	<p>Para ajustar la duración del tiempo de cocción y cambiar el nivel de intensidad:</p> <ol style="list-style-type: none"> <li>1. Presione el botón Cook Time/Power (Tiempo/intensidad de cocción).</li> <li>2. Presione los botones numéricos para ajustar la duración del tiempo de cocción, por ejemplo 2:30. Presione los botones numéricos 0-9 con Cook Time/Power (Tiempo/intensidad de cocción) para la cocción manual, y presione los números "2 3 0".</li> <li>3. Presione de nuevo el botón Cook Time/Power (Tiempo/intensidad de cocción) para cambiar el nivel de intensidad.</li> <li>4. Presione los botones numéricos para ajustar el nivel de intensidad, por ejemplo presione "8 0" para ajustar el nivel de potencia al 80%. 5.</li> <li>5. Presione el botón START (INICIO).</li> </ol> <p>Puede saltarse los pasos 3 y 4 si desea cocinar al 100% de potencia.</p>
Keep Warm (Mantener caliente)	Keep Warm (Mantener caliente)	<p>La función permite mantener calientes sus platos. Forma de uso:</p> <ol style="list-style-type: none"> <li>1. Presione el botón "Keep Warm" (Mantener caliente), en la pantalla aparecerá la hora predeterminada "30:00".</li> <li>2. Presione "Keep Warm" (Mantener caliente) o el botón numérico 0-9 para seleccionar 15 min, 30 min, 45 min o 60 min.</li> <li>3. Presione el botón START (INICIO).</li> </ol> <p><b>NOTA:</b> El ciclo Keep Warm (Mantener caliente) tiene una duración de 15 minutos (por defecto 30 min), el tiempo máximo es de 60 min. Cada ciclo de 15 min, el microondas se encenderá 1,5 min, después la lámpara de la cavidad y el ventilador se apagarán, solo se mostrará el tiempo de la cuenta regresiva.</p>

Teclado	Función	Instrucciones
Steam Clean (Limpieza con vapor)	Ciclo de limpieza automática	<p>El ciclo de limpieza ayudará a limpiar la cavidad del horno microondas</p> <ol style="list-style-type: none"> <li>1. Ponga 1 taza de agua (~250 ml) en el centro de la cavidad.</li> <li>2. Presione el botón "Steam Clean" (Limpieza con vapor), en la pantalla aparecerá la hora predeterminada "11:00".</li> <li>3. Presione el botón START (INICIO) para iniciar la función.</li> </ol> <p>(Después de terminar el ciclo de calentamiento del agua [8min], la lámpara de la cavidad y el ventilador se apagarán, se mostrará el tiempo de cuenta regresiva).</p> <p><b>NOTA:</b> Siga los consejos y sugerencias de la sección Limpieza con vapor.</p>
Steam Clean (Limpieza con vapor)	Activar o desactivar el pitido	<p>La función permite activar o desactivar el sonido del pitido:</p> <ol style="list-style-type: none"> <li>1. Presione el botón STEAM CLEAN (Limpieza con vapor) y manténgalo presionado durante 3 segundos para silenciarlo, en la pantalla aparecerá el icono de tono apagado.</li> <li>2. Mantenga presionado el botón de nuevo durante 3 segundos para activar el sonido.</li> </ol>
Descongelado manual	Descongelado manual	<p>Se ha ajustado la potencia de descongelación, seleccione el tiempo de descongelación</p> <ol style="list-style-type: none"> <li>1. Presione el botón "Manual Defrost" (Descongelado manual), en la pantalla aparecerá el tiempo por defecto "0:30".</li> <li>2. Presione el botón numérico 0-9 para ajustar el tiempo de descongelación.</li> <li>3. Presione el botón START (INICIO).</li> </ol>
Defrost (Descongelar)	Descongelado automático y manual	<p>Las funciones Defrost Automatic (Descongelado automático), Defrost Manual (Descongelado manual) y Defrost (Descongelar) ayudan a descongelar de manera manual o automática aves, carne y pescado congelado. Para descongelar, siga las instrucciones a continuación:</p> <ol style="list-style-type: none"> <li>1. Presione el botón " ", la pantalla mostrará Defrost (Descongelar) "P01" para manual. El usuario puede presionar el botón "Defrost" (Descongelar) para aumentar las clases de alimentos de forma cíclica. El usuario también puede presionar los "botones del teclado" para introducir la CLASE DE ALIMENTOS</li> <li>2. Presione el botón numérico 0-9 para ajustar el peso deseado. (0,2-6,6 lb/0,1 lb [90 g-3 kg/45 g] para P02-P04). Presione el botón "Manual Defrost" (Descongelado manual), el tiempo por defecto "0:30" se mostrará en la pantalla.</li> <li>3. Presione el botón START (INICIO).</li> </ol>
Melt (Derretir)	Melt (Derretir)	<p>La función Melt (Derretir) se utiliza para derretir alimentos. Forma de uso:</p> <ol style="list-style-type: none"> <li>1. Presione "Melt" (Derretir), la pantalla mostrará "P1"</li> <li>2. Utilice el botón "Melt" (Derretir) o el botón 0-9 para seleccionar una categoría de alimentos, consulte la sección Derretir para ablandar de esta guía para conocer la categoría de alimentos o consulte el adhesivo en la placa frontal del microondas. Presione el botón START (INICIO) para confirmar.</li> <li>3. Utilice el botón 0-9 para ajustar la cantidad.</li> <li>4. Presione el botón START (INICIO).</li> </ol>
Soften (Ablandar)	Soften (Ablandar)	<p>La función Soften (Ablandar) se utiliza para ablandar la manteca. Forma de uso:</p> <ol style="list-style-type: none"> <li>1. Presione "Soften" (Ablandar), la pantalla mostrará "0.5" por defecto.</li> <li>2. Utilice el botón "Soften" (Ablandar) o los botones 0-9 para ajustar la cantidad.</li> <li>3. Presione el botón START (INICIO).</li> </ol>

Teclado	Función	Instrucciones
Cook (Cocinar)	Cocción automática	<p>Para el modo Cook (Cocinar), no es necesario ajustar la hora y la potencia, siga las instrucciones siguientes:</p> <ol style="list-style-type: none"> <li>1. Presione el botón “Cook” (Cocinar), en la pantalla aparecerá “P1”.</li> <li>2. Utilice el botón 0-9 o “Cook” (Cocinar) para seleccionar una categoría de alimentos. Consulte la sección Cocción de esta guía para conocer la categoría de alimentos o el adhesivo de referencia en la placa frontal de los microondas.</li> <li>3. Presione el botón START (INICIO).</li> </ol> <p><b>NOTA:</b> Durante el proceso de cocción, la pantalla mostrará “Turn or Add Food” (Girar o Agregar alimentos) (solo para algunos alimentos), presione el botón STOP/UNLOCK (PARAR/DESBLOQUEAR) para activar la función de desbloqueo y agregue o gire los alimentos tirando de la manilla para abrir la puerta.</p> <p>Cuando presiona el botón STOP/UNLOCK (PARAR/DESBLOQUEAR) de nuevo se detendrá la función de cocción y el horno microondas cambiará a modo de espera.</p>
Reheat (Recalentar)	Automático	<p>Para recalentar con las funciones preestablecidas, siga las instrucciones a continuación:</p> <ol style="list-style-type: none"> <li>1. Presione el botón “Reheat” (Recalentar), en la pantalla aparecerá “P1”.</li> <li>2. Utilice el botón 0-9 o “Reheat” (Recalentar) para seleccionar una categoría de alimentos. Consulte la sección RECALENTAR de esta guía para conocer la categoría de alimentos o el adhesivo de referencia en la placa frontal de los microondas.</li> <li>3. Presione el botón START (INICIO).</li> </ol>
Popcorn (Palomitas de maíz)	Popcorn (Palomitas de maíz)	<p>Para usar el preajuste Popcorn (Palomitas de maíz), siga las instrucciones a continuación:</p> <ol style="list-style-type: none"> <li>1. Presione repetidamente el botón “Popcorn” (Palomitas de maíz) para seleccionar el tamaño de la bolsa (3,0 o 3,5 oz).</li> <li>2. Presione el botón START (INICIO).</li> </ol>
Potato (Papa)	Cocinar papas	<p>Para usar el preajuste Potato (Papa), siga las instrucciones a continuación:</p> <ol style="list-style-type: none"> <li>1. Presione repetidamente el botón “Potato” (Papa) para seleccionar el tamaño L (Grande) o S (Pequeño) de la papa.</li> <li>2. Presione START (INICIO) para confirmar, presione el botón 0-9 para ajustar la cantidad.</li> <li>3. Presione el botón START (INICIO)</li> </ol>

---

## Pantalla

Cuando se suministre energía eléctrica al horno microondas por primera vez, aparecerá en la pantalla "12 Hr". El usuario puede presionar el botón TIMER/Clock (TEMPORIZADOR/Reloj) o el botón 0-9 para alternar entre 12 o 24 horas en 10 segundos.

Presione el botón START (INICIO) para confirmar. Si aparece en la pantalla "12:00" en cualquier otro momento, se ha producido un corte de corriente. Vuelva a configurar el reloj si es necesario. Consulte la sección "Reloj".

---

## Modo Standby (En espera)

Cuando no se esté utilizando ninguna función, el horno microondas pasará al modo de espera.

Después de seleccionar la función, presione el botón STOP/UNLOCK (PARAR/DESBLOQUEAR) para salir de la selección de funciones. Si vuelve a presionar el botón STOP/UNLOCK (PARAR/DESBLOQUEAR) será inválido, ya que el modo de cocción no está activado.

Cuando el modo de cocción está activado y el usuario presione el botón STOP/UNLOCK (PARAR/DESBLOQUEAR), estas funciones iniciarán al mismo tiempo. Presione el botón STOP/UNLOCK (PARAR/DESBLOQUEAR) de nuevo para cancelar la función y regresar al modo de espera.

---

## INICIO

El botón START (INICIO) iniciará cualquier función. Si se interrumpe la cocción sin sensor al abrir la puerta, al presionar el botón START (INICIO) se reanudará el ciclo.

NOTA: Para evitar el funcionamiento no intencional del horno microondas, una función de cocción no se puede poner en marcha si la puerta del horno microondas ha estado cerrada por aproximadamente 1 minuto. La palabra "door" (puerta) aparecerá en la pantalla hasta que la puerta se abra y se cierre.

---

## Express start/ Add 30 seconds (Inicio rápido/ Agregar 30 segundos)

En el modo de espera, al presionar START (INICIO) el horno microondas arranca automáticamente al 100% de potencia durante 30 segundos y añade 30 segundos de tiempo de cocción, con cada pulsación adicional del control. Se puede añadir tiempo a cualquier ciclo de cocción manual en incrementos de 30 segundos, en el nivel de potencia del momento, presionando el botón START (INICIO) durante la cocción.

### NOTA:

- Quick Start 30sec (Inicio rápido 30 seg) Presione "Start/+30sec" (Inicio/+30 seg), se encenderá rápidamente a plena potencia en 30 seg; presione de nuevo si necesita añadir más tiempo a mitad del ciclo o al final del mismo.
  - Cocina rápida en minutos: También puede presionar el botón 1-3 para tener una cocción a plena potencia de los minutos seleccionados.
- 

## STOP/UNLOCK (PARAR/DESBLOQUEAR)

El botón STOP/UNLOCK (PARAR/DESBLOQUEAR) borrará cualquier comando incorrecto y anulará cualquier programa durante la cocción. Presione el botón STOP/UNLOCK (PARAR/DESBLOQUEAR) para parar el ciclo. No se borrará la hora del día.

El horno microondas también se apagará cuando la puerta se abra. Cierre la puerta y presione START (INICIO) para reanudar el ciclo.

---

---

## Para utilizar el menú sin sensor (palomitas de maíz, papas)

1. Ponga la comida en la bandeja giratoria y cierre la puerta.
  2. Toque el control de menú deseado. Aparecerá en la pantalla la primera cantidad programada. Toque el teclado de control repetidamente o toque los teclados numéricos para cambiar la cantidad.
  3. Toque START (INICIO). Cuando termine el ciclo, aparecerá "End" (Fin) en la pantalla y sonará el tono de fin de ciclo.
  4. Toque STOP/UNLOCK (PARAR/DESBLOQUEAR) para borrar la pantalla.
- 

## Clock (Reloj)

El horno microondas debe estar en modo de espera.

1. Presione el botón TIMER/Clock (TEMPORIZADOR/Reloj) durante 3 segundos para entrar en la configuración del reloj. También aparecerá cada vez que el producto se conecte a la fuente de energía, o cuando esta regrese después de una falla.
  2. Presione el botón numérico 0-9 para ajustar la hora.
  3. Presione el botón START (INICIO) para confirmar.
  4. Presione el botón numérico 0-9 para ajustar los minutos.
  5. Presione el botón START (INICIO) para confirmar el ajuste.
- 

## Timer (Temporizador)

El temporizador de cocción funciona como un cronómetro.

Para ajustar:

1. Presione el botón Timer/Clock (Temporizador/Reloj)
2. Presione el botón 0-9 para ingresar el tiempo que desee.
3. Presione el botón START (INICIO). Cuando finaliza el tiempo programado, el fin de temporizador.
4. Cuando la cuenta atrás del temporizador se alcance en la pantalla, sonará un tono. Presione el botón STOP/UNLOCK (PARAR/DESBLOQUEAR) para parar el temporizador.

NOTA: El temporizador no pone en marcha ni detiene el horno microondas.

La función se puede configurar solo en el modo de espera.

---

## Mute On/Off (Silencio Enc./Apag.)

Esta función le permite al usuario activar o desactivar todos los sonidos que reproduce el electrodoméstico, incluye la presión de botones, advertencias, alarmas e incluso audio.

Mantenga presionado el botón Steam Clean (Limpieza con vapor) por 5 segundos para ponerlo en silencio, vuelva a mantenerlo presionado por 5 segundos para volver a encender el sonido.

---

## Fin de la cocción

Cuando termine la cocción, la pantalla mostrará el texto "End" (Fin). Se emitirá un pitido acústico recordatorio.

1. Después de terminada la cocción, si presiona el botón STOP/UNLOCK (PARAR/DESBLOQUEAR), saca la comida y vuelve a cerrar la puerta, la interfaz mostrará el reloj, cambiará a la apertura de puerta de un paso.
  2. Si no saca la comida en 30 minutos, mostrará consistentemente "END" (FIN) por 30 minutos y regresará automáticamente al modo en espera y se desbloqueará después de 30 minutos y cambiará a la apertura de puerta de un paso.
-

# USO DEL HORNO MICROONDAS

El magnetrón del horno microondas produce microondas que se reflejan del piso de metal, las paredes y el techo y atraviesan la bandeja giratoria y los utensilios adecuados hasta los alimentos. La grasa, el azúcar y las moléculas de agua de los alimentos atraen y absorben las microondas, que los hace mover y producir la fricción y el calor que cocinan los alimentos.

- Para evitar daños al horno microondas, no se apoye en la puerta ni permita que los niños jueguen con ella.
- Para evitar daños al horno microondas, no lo haga funcionar vacío.
- Los biberones y los tarros de comida para bebé no se deben calentar en el horno microondas.
- No se debe secar en el horno microondas ropa, flores, fruta, hierbas, madera, calabazas ni papel, incluidas las bolsas de papel marrón y el papel de periódico.
- La cera de parafina no se derretirá en el horno porque no absorbe las microondas.
- Use guantes para hornear o agarraderas para retirar recipientes del horno microondas.
- No recueza las papas. Al cabo del tiempo de cocción recomendado, las papas deberán estar ligeramente firmes. Déjelas reposar durante 5 minutos. Se terminarán de cocinar durante el reposo.
- No cocine ni recaliente huevos enteros dentro de la cáscara. La acumulación de vapor en los huevos enteros hacer que exploten y se requiera una limpieza importante de la cavidad del horno microondas. Cubra los huevos escalfados y déjelos reposar por cierto tiempo.

## Características de los alimentos

Al cocinar con microondas, la cantidad, el tamaño y la forma, la temperatura de inicio, la composición y la densidad de los alimentos afectan los resultados de la cocción. **Cantidad de alimentos**

Cuanto mayor sea la cantidad de alimentos que se caliente simultáneamente, más tiempo de cocción se necesitará. Verifique el grado de cocción y agregue breves incrementos de tiempo si fuera necesario.

### Tamaño y forma

Los pedazos de alimentos más pequeños se cocinarán con mayor rapidez que los pedazos grandes y los alimentos de forma pareja se cocinarán con mayor uniformidad que los de forma irregular.

### Temperatura inicial

Los alimentos que estén a temperatura ambiente se calentarán con mayor rapidez que los refrigerados y los alimentos refrigerados se calentarán con mayor rapidez que los congelados.

### Composición y densidad

Los alimentos con alto contenido de grasa y de azúcar alcanzarán mayor temperatura y se calentarán con mayor rapidez que otros alimentos. Los alimentos pesados y densos, como la carne y papas necesitan un tiempo de cocción más prolongado que el mismo tamaño de alimentos con densidad ligera y porosa como los pasteles o tortas.

## Pautas para cocinar

### Cubrir

Cubrir los alimentos ayuda a retener la humedad, acortar el tiempo de cocción y producir menos salpicaduras. Use la tapa provista con los utensilios de cocina. Si no tiene una tapa, puede usar papel de cera, toallas de papel o envoltorios de plástico aptos para hornos microondas. Los envoltorios de plástico se deben doblar en una esquina para proporcionar una abertura para que salga el vapor. La condensación en la puerta y en las superficies de la cavidad es normal durante una cocción intensa.

### Revolver y voltear los alimentos

Al revolver y voltear los alimentos, el calor se redistribuye uniformemente y se evita recocer los bordes exteriores de los alimentos. Revuelva de afuera hacia el centro. De ser posible, dé vuelta los alimentos de abajo hacia arriba.

### Disponer los alimentos

Al calentar alimentos de tamaño irregular o de diversos tamaños, las partes más delgadas y los alimentos más pequeños deben disponerse hacia el centro. Al cocinar varios alimentos del mismo tamaño y forma, colóquelos en círculo, dejando vacío el centro del círculo.

### Pinchar los alimentos

Antes de calentar, use un tenedor o un cuchillo pequeño para pinchar o hacer piquetes en los alimentos que tienen cáscara o piel, como las papas, yemas de huevo, hígados de pollo, perros calientes y salchichas. Perfore en varios lugares para dejar que salga el vapor.

### Proteger los alimentos

Use pedazos pequeños y planos de papel de aluminio para proteger las partes delgadas de alimentos de forma irregular, huesos y alimentos como las alas de pollo, puntas de patas de pollo y colas de pescado. Consulte primero la sección "Papel de aluminio y metal".

### Tiempo de reposo

Los alimentos continuarán cocinándose por la conducción natural del calor aún después de terminado el ciclo de cocción por microondas. La duración del tiempo de reposo depende del volumen y la densidad de los alimentos.

## Utensilios de cocina y vajilla

Los utensilios de cocina y la vajilla deben caber en la bandeja giratoria. Siempre use guantes para hornear o agarraderas para manipular los utensilios, ya que cualquier plato puede calentarse por el calor transferido de los alimentos. No use utensilios ni vajilla con bordes dorados o plateados. Use el cuadro siguiente a modo de guía y luego pruebe los utensilios antes de utilizarlos.

Material	Recomendaciones
Papel de aluminio, metal	Consulte la sección "Papel de aluminio y metal".
Plato para dorar	El fondo debe estar al menos a 3/16" (5 mm) por encima de la bandeja giratoria. Siga las recomendaciones del fabricante.
Vidrio de cerámica, vidrio	Se puede usar
Porcelana, loza de barro	Siga las recomendaciones del fabricante.
Melamina	Siga las recomendaciones del fabricante.
Papel: Toallas, vajilla, servilletas	Use papel no reciclado y los que el fabricante apruebe como aptos para horno microondas.
Plástico: Envoltorios, bolsas, cubiertas, vajilla, recipientes	Use los que el fabricante apruebe como aptos para horno microondas.
Cerámica y arcilla	Siga las recomendaciones del fabricante.
Utensilios para hornear de silicona	Siga las recomendaciones del fabricante.
Recipientes de paja, de mimbre y de madera	No los use en el horno microondas.
Papel de cera	Se puede usar

### Para probar los utensilios de cocina o la vajilla que se usarán en el microondas:

- Coloque los utensilios de cocina o vajilla en el horno microondas con 1 taza (250 ml) de agua al lado.
  - Cocine a una potencia del 100 % durante un minuto.
- No use el utensilio de cocina ni la vajilla si se pone caliente y el agua permanece fría.

## Papel de aluminio y metal

Siempre use guantes para hornear o agarraderas al retirar los recipientes del horno microondas.

El papel de aluminio y algunos tipos de metal pueden usarse en el horno microondas. Si no se usan debidamente, pueden producir chispas (ráfagas azules de luz) y causar daños al horno microondas.

### Uso permitido

Las rejillas y los utensilios para hornear provistos con el horno microondas (en algunos modelos), el papel de aluminio para protección y los termómetros para carne aprobados se pueden utilizar teniendo en cuenta las siguientes pautas:

- Para evitar daños al horno microondas, no permita que el papel de aluminio o el metal toquen las paredes, el techo o el piso de la cavidad interior.
- Siempre use la bandeja giratoria.
- Para evitar daños al horno microondas, evite el contacto con otros objetos metálicos durante la cocción por microondas.

### Uso no permitido

No se deben utilizar en el horno microondas utensilios de cocina y de hornear metálicos, oro, plata, peltre, termómetros para carne no aprobados, pinchos, precintos, forros de papel metálico como envoltorios para emparedados, grapas y objetos con bordes de oro o plata con glaseado metálico.

## Cooking Menu (Menú de cocción)

El horno microondas ha sido programado con alimentos comunes que se pueden poner en microondas, sus cantidades, potencias y tiempos de cocción.

Use la siguiente tabla como guía para la cocción programada.

Producto	Categoría de alimento	Cantidad
P1	<b>Verduras frescas</b> De temperatura ambiente. Coloque en un recipiente apto para microondas. Añada 2 cucharadas de agua a 1-2 tazas, añada 4 cucharadas de agua a 3-4 tazas. Cubra el plato y deje ventilación de aire. Revuelva y deje reposar 3 min después de la cocción.	1-4 tazas
P2	<b>Verduras congeladas</b> Desde temperatura congelada. Colocar en un recipiente apto para microondas. Añadir 2 cucharadas de agua a 1-2 tazas, añadir 4 cucharadas de agua a 3-4 tazas. Cubra el plato y deje ventilación de aire. Revuelva y deje reposar 3 min después de la cocción.	1-4 tazas
P3	<b>Avena</b> Colóquela en un recipiente apto para microondas y añada agua según las instrucciones del envase. Añada agua, cúbralo con envoltorio de plástico y doble un borde hacia atrás unas 1/4" (6 mm) para hacer un orificio de ventilación. Coloque el recipiente en el centro del horno. Tras la cocción, remueva con una cuchara o batidor hasta que quede uniforme.	1-4 tazas
P4	<b>Plato principal congelado</b> Saque el plato principal del envase y (283 g, 567 g, 1,1 kg, 1,7 kg) afloje el film que lo recubre por 3 lados del recipiente dejando uno de los lados cortos aún unido. Cubra sin apretar con film. Deje reposar los entrantes de 10,5 y 20 oz (297 y 567 g) durante 3 minutos. Deje reposar los entrantes de 38 y 60 oz (1,1 y 1,7 kg) durante 5 minutos.	10 oz, 20 oz, (283 g, 567 g)

## Popcorn (Palomitas de maíz)

### Bolsas de 3 o 3,5 oz.

- No use bolsas de papel común ni utensilios de vidrio.
- Haga reventar un solo paquete de palomitas de maíz a la vez.
- Cuando use un recipiente especial para preparar palomitas de maíz en microondas, siga las instrucciones del fabricante.
- Escuche hasta que se reduzca la velocidad del proceso de estallado a uno cada 1 o 2 segundos; después, detenga el ciclo.
- No trate de hacer estallar de nuevo los granos que no estallaron.
- Para obtener resultados óptimos, use bolsas de maíz para estallar frescas.
- Los resultados de la cocción pueden variar según la marca y el contenido de grasa.

**NOTA:** Siga las instrucciones que proporciona el fabricante de palomitas de maíz para microondas.

## Potato (Papa)

Producto	Categoría de alimento	Cantidad
L - Papa grande	Ingrese de 1 a 4 piezas, 8-12 oz (227-340 g) cada una. Pinche cada papa varias veces con un tenedor.  Coloque sobre un papel de cocina en el centro de la bandeja giratoria. Dejar reposar 5 min después de la cocción.	1, 2, 3, 4 piezas / 1 pieza
S - Papa pequeña	Ingrese de 1 a 16 piezas, 3-5 oz (85-142 g) cada una. Pinche cada papa varias veces con un tenedor.  Coloque sobre un papel de cocina en el centro de la bandeja giratoria. Dejar reposar 5 min después de la cocción.	1-16 piezas / 1 pieza

## Dinner Plate (Plato principal) Reheat Menu (Menú de recalentar)

Se han ajustado previamente tiempos y potencias de cocción para recalentar varios tipos de alimentos. Utilice la siguiente tabla como guía.

Producto	Categoría de alimento	Cantidad
P1	<b>Plato principal</b> Coloque el alimento en un plato. Cubra con un envoltorio de plástico y perforo un orificio de ventilación. Deje reposar por 2 a 3 minutos después de recalentar.	Grande (289-440 g), Pequeño
P2	<b>Sopa</b> Coloque en un recipiente apto para microondas. Cubra con un envoltorio de plástico y perforo un orificio de ventilación. Revuelva y deje reposar 2 o 3 minutos después de recalentar.	1, 2, 3, 4 tazas
P3	<b>Bebidas</b> No cubra.	1, 2, 3, 4 tazas
P4	<b>Recalentar pizza</b> Colóquela en un plato apto para microondas cubierto con una toalla de papel.	1-3 en lonchas, 4 oz (113 g) por loncha

## Soften/Melt (Ablandar/Derretir)

La función Soften (Ablandar) puede utilizarse para ablandar los alimentos. Se han ajustado previamente tiempos e intensidades de cocción para varios tipos de alimentos. Utilice la siguiente tabla como guía.

Producto	Categoría de alimento	Cantidad
P1	<b>Manteca</b> Desenvuélvala y colóquela en un recipiente apto para microondas.	0,5-2,0 barras/0,5 barras

## Derretir mantequilla

La función Melt (Derretir) puede utilizarse para derretir sus alimentos. Se han ajustado previamente tiempos e intensidades de cocción para varios tipos de alimentos. Utilice la siguiente tabla como guía.

Producto	Categoría de alimento	Cantidad
P1	<b>Manteca</b> Desenvuélvala y colóquela en un recipiente apto para microondas.	0,5-2,0 barras/0,5 barras
P2	<b>Chispas de chocolate</b> Coloque en un recipiente apto para microondas.	4oz, 6oz, 8oz, 12oz (113-340 g / 113 g)
P3	<b>Queso crema</b> Retire el envoltorio y coloque en un recipiente apto para microondas.	8 oz, 16 oz (227 g, 454 g)

## Auto Defrost (Descongelado automático)

- Para un resultado óptimo, los alimentos deben estar a 0oF (-18oC) o más fríos cuando se descongelen.
- Quite el envoltorio de los alimentos y retire las tapas (de los jugos de fruta) antes de descongelar.
- Los paquetes poco profundos se descongelarán con más rapidez que los bloques profundos.
- Separe los trozos de alimentos lo antes posible, durante o al final del ciclo, para lograr un descongelado más uniforme.
- Los alimentos que quedan fuera del congelador más de 20 minutos o los alimentos listos para consumir congelados no se deben descongelar con la función Defrost (Descongelar) sino manualmente.
- Use pedazos pequeños de papel de aluminio para proteger partes de los alimentos como las alas y las puntas de las patas del pollo y las colas de los pescados. Consulte primero la sección "Papel de aluminio y metal".
- Se han ajustado previamente tiempos y potencias de cocción para descongelar varios tipos de alimentos.

Producto	Categoría de alimento	Peso
P1	Descongelado manual	-----
P2	Aves	0,2 lb-6,6 lb/0,1 lb (90 g-3 kg/45 g)
P3	Carne	0,2 lb-6,6 lb/0,1 lb (90 g-3 kg/45 g)
P4	Pescado	0,2 lb-6,6 lb/0,1 lb (90 g-3 kg/45 g)

Use la tabla siguiente como guía para descongelar aves, carne o pescado

## TABLA DE PREPARACIÓN PARA DESCONGELADO

### AVES

<b>Pollo:</b> entero y en trozos <b>Gallinas Cornish</b> <b>Pavo:</b> pechuga	Coloque en un recipiente apto para microondas, con la pechuga mirando hacia arriba. Retire las menudencias del pollo entero.
---	--

### CARNE

<b>Carne de res:</b> molida, bistecs, asados, estofados <b>Cordero:</b> estofado y chuletas <b>Cerdo:</b> chuletas, costillas, asados, salchichas	Las zonas angostas o con grasa de los cortes de forma irregular deben protegerse con papel de aluminio antes de descongelar. No descongele menos de 1/4 lb (113 g) o dos hamburguesas de 4 oz (113 g). Coloque todas las carnes en un recipiente apto para microondas.
---	--

## Steam Clean (Limpieza con vapor)

Este ciclo de limpieza automático le ayudará a limpiar la cavidad del horno microondas y eliminar los olores desagradables.

### Antes de iniciar el ciclo:

1. Ponga 250 ml de agua en un recipiente (consulte nuestras recomendaciones en la sección "Consejos y sugerencias" a continuación).
2. Coloque el recipiente directamente en el centro de la cavidad.

### Para iniciar el ciclo:

1. Presione el botón Steam Clean (Limpieza con vapor), la duración del ciclo de limpieza será visible en la pantalla.
2. Presione el botón Start (Inicio) para iniciar la función.

### Cuando el ciclo termine:

1. Presione el botón Cancel (Cancelar).
2. Retire el recipiente.
3. Utilice un paño suave o una toalla de papel con un detergente suave para limpiar las superficies interiores.

### Consejos y sugerencias:

Para un mejor resultado de limpieza, se recomienda utilizar un recipiente con un diámetro de 17-20 cm y una altura inferior a 6,5 cm.

Se recomienda utilizar un recipiente de material plástico ligero apto para microondas.

Como el recipiente estará caliente después de que se complete el ciclo de limpieza, se recomienda usar un guante resistente al calor al sacar el recipiente del microondas.

Para un mejor efecto de limpieza y eliminación de olores desagradables, agregue un poco de jugo de limón o vinagre al agua.

## Keep Warm (Mantener caliente)

Esta función le permite mantener sus platos calientes.

1. Presione el botón "Keep Warm" (Mantener caliente).
2. Presione el botón +/- para seleccionar el tiempo adecuado (15, 30, 45, 60 min) y después presione el botón START (INICIO) para empezar. El tiempo por defecto es 30 min, el tiempo máximo es 60 min.

Alimentos	Recipiente de peso	Temperatura	Recipiente
Atún	4 tazas (880 g)	165F (73,8 C)	Plato apto para microondas
Fideos			
Cacerola			

# CUIDADO DEL HORNO MICROONDAS

## Limpieza general

**IMPORTANTE:** Antes de la limpieza, asegúrese de que todos los controles estén apagados y que el horno microondas esté frío. Siempre siga las instrucciones de las etiquetas de los productos de limpieza.

Se sugiere usar agua, jabón y un paño o una esponja suave, a menos que se indique otra cosa.

### CAVIDAD DEL HORNO MICROONDAS

Para evitar daños en la cavidad del horno microondas, no use estropajos precargados con jabón, limpiadores abrasivos, estropajos de lana de acero, paños de lavar ásperos o algunas toallas de papel reciclado.

Para evitar daños en los modelos de acero inoxidable, frote en la dirección de la veta.

Se debe mantener limpia la zona donde la puerta del horno microondas hace contacto con el marco cuando está cerrada.

#### Suciedad promedio

- Jabones y detergentes suaves, no abrasivos: Enjuague con agua limpia y seque con un paño suave que no deje pelusa.

#### Suciedad profunda

- Jabones y detergentes suaves, no abrasivos: Caliente 1 taza (250 ml) de agua durante 2 a 5 minutos en el horno microondas. El vapor ablandará la suciedad. Enjuague con agua limpia y seque con un paño suave que no deje pelusa.

#### Olores

- Jugo de limón o vinagre: Caliente 1 taza (250 ml) de agua con 1 cucharada (15 ml) de jugo de limón o vinagre durante 2 a 5 minutos en el horno microondas.

#### Cubierta para la entrada microondas

Para evitar que se produzcan arcos y el horno microondas se dañe, la cubierta de la entrada microondas (vea "Piezas y funciones") debe mantenerse limpia.

- Limpie con un paño húmedo.

### PUERTA Y EXTERIOR DEL HORNO MICROONDAS

Se debe mantener limpia la zona donde la puerta del horno microondas hace contacto con el marco cuando está cerrada.

- Jabones y detergentes suaves, no abrasivos: Enjuague con agua limpia y seque con un paño suave que no deje pelusa.
- Limpiavidrios y toallas de papel o un estropajo plástico no abrasivo: Aplique el limpiador de vidrios a la toalla, no lo haga directamente sobre la superficie.

#### Acero inoxidable (en algunos modelos)

Para evitar daños a la puerta y el exterior del horno microondas, no use estropajos que vienen precargados con jabón, productos de limpieza abrasivos, estropajos de metal, paños ásperos o ciertas toallas de papel. Frote en la dirección de la veta.

- Limpiador de acero inoxidable (no incluido): Vea la sección "Asistencia o servicio técnico" para hacer pedidos.
- Detergente líquido o limpiador multiuso: Enjuague con agua limpia y seque con un paño suave que no deje pelusa.
- Vinagre para manchas de cal de agua.

### PANEL DE CONTROL

- Esponja o paño suave y agua. Humedezca la esponja con agua y pásela por el panel. Seque con un paño suave.
- Para evitar daños en el panel de control, no use sustancias químicas ni limpiadores abrasivos.

### BANDEJA GIRATORIA

Vuelva a colocar la bandeja giratoria de inmediato después de la limpieza. No ponga a funcionar el horno microondas sin la bandeja giratoria en su lugar.

- Producto de limpieza suave y estropajo
- Lavavajillas

# SOLUCIÓN DE PROBLEMAS

Pruebe primero las soluciones sugeridas aquí. Si necesita asistencia adicional o más recomendaciones que puedan ayudarle a evitar una llamada de servicio técnico, consulte la garantía o visite [www.whirlpool.com/owners](http://www.whirlpool.com/owners). En Canadá [www.whirlpool.ca/owners](http://www.whirlpool.ca/owners). Si tiene preguntas o dudas, contáctenos por correo a la dirección que aparece a continuación:

En EE.UU.:

Whirlpool Brand Home Appliances  
Customer eXperience Center  
553 Benson Road Benton Harbor, MI 49022-2692

Incluya en su correspondencia un número de teléfono en el que se le pueda localizar durante el día.

En Canadá:

Whirlpool Brand Home Appliances  
Customer eXperience Center  
200 – 6750 Century Ave.  
Mississauga, Ontario L5N 0B7

Si experimenta lo siguiente	Soluciones recomendadas
<b>Nada funciona</b>	<b>Revise lo siguiente:</b> <ul style="list-style-type: none"><li>■ <b>Fusible o disyuntor de la casa:</b> Si hay un fusible de la casa fundido o se disparó el disyuntor, reemplace el fusible o restablezca el disyuntor. Si el problema continúa, llame a un electricista.</li></ul>
<b>El horno microondas no funciona</b>	<b>Revise lo siguiente:</b> <ul style="list-style-type: none"><li>■ <b>Magnetrón:</b> Intente calentar una taza (250 ml) de agua fría durante 2 minutos al 100 % de potencia de cocción. Si el agua no se calienta, pruebe los pasos que se enumeran a continuación. Si el horno microondas aún no funciona, llame para solicitar servicio técnico.</li><li>■ <b>Puerta:</b> Cierre la puerta con firmeza. En algunos modelos, si hay un separador de empaque sujeto al interior de la puerta, retírelo y, después, cierre la puerta con firmeza. Si aparece en la pantalla un mensaje acerca de la puerta, la puerta ha estado cerrada durante 5 minutos o más sin que se haya puesto a funcionar el horno. Esto sucede para evitar que el horno microondas se ponga en marcha accidentalmente. Abra y cierre la puerta; luego, inicie el ciclo.</li><li>■ <b>Control:</b> Asegúrese de que los controles estén configurados debidamente. Asegúrese de que el bloqueo de controles esté desactivado. Asegúrese de que el Demo mode (Modo de Demostración) (en algunos modelos) esté desactivado.</li></ul>
<b>El horno microondas emite zumbidos</b>	<ul style="list-style-type: none"><li>■ Esto es normal y ocurre cuando se activa el suministro eléctrico del magnetrón.</li></ul>
<b>La puerta del horno microondas parece ondulada</b>	<ul style="list-style-type: none"><li>■ Esto es normal y no afecta el funcionamiento.</li></ul>
<b>La bandeja giratoria no funciona</b>	<b>Revise lo siguiente:</b> <ul style="list-style-type: none"><li>■ <b>Bandeja giratoria:</b> Cerciórese de que la bandeja giratoria tenga el lado correcto hacia arriba y que esté debidamente asentada en su soporte. Consulte la sección “Bandeja giratoria”.</li><li>■ <b>Soporte de la bandeja giratoria:</b> Quite la bandeja giratoria. Quite y limpie el eje, el soporte y los rodillos de la bandeja giratoria. Vuelva a colocar el eje, el soporte y la bandeja giratoria. Coloque 1 taza (250 ml) de agua en la bandeja giratoria; después, vuelva a poner a funcionar el horno microondas. Si todavía no funciona, solicite servicio. Consulte la sección “Garantía”. No haga funcionar el horno microondas si la bandeja giratoria y su soporte no funcionan correctamente. <a href="http://www.jennair.com/create-account">www.jennair.com/create-account</a>, o en Canadá</li></ul>
<b>La bandeja giratoria gira en ambas direcciones de manera alternada</b>	<ul style="list-style-type: none"><li>■ Esto es normal y depende de la rotación del motor al comienzo del ciclo.</li></ul>
<b>La pantalla muestra la cuenta regresiva pero el horno microondas no está funcionando</b>	<b>Revise lo siguiente:</b> <ul style="list-style-type: none"><li>■ <b>Timer (Temporizador):</b> Consulte la sección “Temporizador”.</li></ul>
<b>Las señales audibles no suenan</b>	<b>Revise lo siguiente:</b> <ul style="list-style-type: none"><li>■ <b>Tones (Tonos):</b> Consulte la sección “Tonos”.</li></ul>
<b>Los tiempos de cocción parecen demasiado prolongados</b>	<b>Revise lo siguiente:</b> <ul style="list-style-type: none"><li>■ <b>Potencia de cocción:</b> Consulte la sección “Potencia de cocción del microondas”.</li><li>■ <b>Cantidad de alimentos:</b> Las cantidades más grandes de alimentos requieren de tiempos de cocción más largos.</li><li>■ <b>Tensión:</b> Solicite que un electricista calificado compruebe el sistema eléctrico de su casa.</li></ul>
<b>Interferencia de radio, TV o teléfono inalámbrico</b>	<b>Revise lo siguiente:</b> <ul style="list-style-type: none"><li>■ <b>Proximidad:</b> Aleje su receptor del horno microondas o ajuste la antena de radio o televisión. Si el horno microondas está enchufado en el mismo tomacorriente, pruebe otro tomacorriente para el dispositivo electrónico.</li><li>■ <b>Suciedad:</b> Asegúrese de la puerta del horno microondas y las superficies de sellado estén limpias.</li><li>■ <b>Frecuencia:</b> Algunos teléfonos inalámbricos de 2.4 GHz y algunas redes inalámbricas del hogar pueden sufrir estática o ruidos mientras el horno microondas está encendido. Use un teléfono con cable o un teléfono inalámbrico de frecuencia diferente, o evite usar esos dispositivos mientras el horno está en funcionamiento.</li></ul>

# ASISTENCIA O SERVICIO TÉCNICO

## Si necesita servicio técnico:

Consulte la garantía.

## Si necesita piezas de repuesto:

Si necesita pedir piezas de repuesto, recomendamos que use únicamente piezas especificadas de fábrica. Estas piezas especificadas de fábrica encajarán y funcionarán correctamente ya que están confeccionadas con la misma precisión empleada en la fabricación de cada electrodoméstico nuevo de Whirlpool.

Para encontrar piezas especificadas de fábrica en su zona, llámenos o llame al centro de servicio técnico designado más cercano de Whirlpool®.

## En EE.UU.

Llame al Customer eXperience Center de Whirlpool sin costo al:

**1-866-698-2538** o visite nuestro sitio web en [www.whirlpool.com/owners](http://www.whirlpool.com/owners).

## Nuestros consultores ofrecen ayuda con:

- Programación de servicio. Los técnicos de servicio designados por Whirlpool® están capacitados para cumplir con la garantía del producto y ofrecer servicio una vez que la garantía termine en cualquier lugar de Estados Unidos.
- Características y especificaciones de nuestra línea completa de electrodomésticos.
- Referencias a distribuidores de electrodomésticos Whirlpool®.
- Información sobre la instalación.
- Procedimientos de uso y mantenimiento.
- Venta de accesorios y repuestos.
- Asistencia al cliente especializada (idioma español, deficiencias de audición, visión limitada, etc.).

## Para obtener más asistencia:

Si necesita asistencia adicional, puede escribir a Whirlpool con sus preguntas o dudas a:

Whirlpool Brand Home Appliances  
Customer eXperience Center  
553 Benson Road  
Benton Harbor, MI 49022-2692

Incluya en su correspondencia un número de teléfono en el que se le pueda localizar durante el día.

## En Canadá

Llame al Customer eXperience Center de Whirlpool sin costo al:

**1-800-807-6777** o visite nuestro sitio web en [www.whirlpool.ca/owners](http://www.whirlpool.ca/owners).

## Nuestros consultores ofrecen ayuda con:

- Programación de servicio. Los técnicos de servicio designados para electrodomésticos Whirlpool® están capacitados para cumplir con la garantía del producto y proveer servicio una vez que la garantía caduque en cualquier lugar de Canadá.
- Características y especificaciones de nuestra línea completa de electrodomésticos.
- Referencias a distribuidores de electrodomésticos Whirlpool®.
- Procedimientos de uso y mantenimiento.
- Venta de accesorios y repuestos.

## Para obtener más asistencia:

Si necesita asistencia adicional, puede escribir a Whirlpool con sus preguntas o dudas a:

Customer eXperience Center  
Whirlpool Canada  
200 – 6750 Century Ave.  
Mississauga, Ontario L5N 0B7

Incluya en su correspondencia un número de teléfono en el que se le pueda localizar durante el día.

## Piezas de repuesto

Bandeja giratoria de vidrio Pieza número W11755303	Eje de bandeja giratoria Pieza número W11755304
Soporte y rodillos de la bandeja giratoria Pieza número W11755305	

# GARANTÍA LIMITADA DE ELECTRODOMÉSTICOS PRINCIPALES WHIRLPOOL®

ADJUNTE SU RECIBO AQUÍ. SE REQUIERE UN COMPROBANTE DE COMPRA PARA OBTENER SERVICIO BAJO LA GARANTÍA

Tenga disponible la siguiente información cuando llame al Customer eXperience Center:

- Nombre, dirección y número de teléfono
- Número de modelo y número de serie
- Una descripción precisa y detallada del problema
- Comprobante de compra que incluya nombre y dirección del distribuidor o minorista

## SI NECESITA SERVICIO TÉCNICO:

1. Antes de comunicarse para organizar la visita del servicio técnico, determine si su producto requiere reparación. Algunas preguntas pueden resolverse sin servicio técnico. Dedique unos minutos a revisar la sección de Solución de problemas del Manual de uso y cuidado o visite [producthelp.whirlpool.com](http://producthelp.whirlpool.com).
2. Todo servicio técnico en garantía es brindado exclusivamente por nuestros proveedores de servicio técnico de Whirlpool autorizados. En EE.UU. y Canadá, dirija todas las solicitudes de servicio técnico dentro de la garantía a:

**Whirlpool Customer eXperience Center**

**En EE.UU., llame al 1-800-253-1301. En Canadá, llame al 1-800-807-6777.**

Si se encuentra fuera de los 50 estados de Estados Unidos o de Canadá, póngase en contacto con su distribuidor autorizado de Whirlpool para determinar si corresponde otra garantía.

## GARANTÍA LIMITADA DE UN AÑO

### QUÉ ESTÁ CUBIERTO

Durante un año desde la fecha de compra, cuando este aparato principal se instale, mantenga y opere de acuerdo con las instrucciones que se adjuntan o se proporcionan con el producto, Whirlpool Corporation o Whirlpool Canada LP (de aquí en adelante "Whirlpool") pagará las piezas de repuesto especificadas por la fábrica y la mano de obra de reparación para corregir defectos en los materiales o la fabricación que existieran cuando este electrodoméstico principal se compró, o bien, a su exclusivo criterio, reemplazará el producto. En caso de reemplazo del producto, su electrodoméstico tendrá garantía durante el plazo restante del periodo de garantía de la unidad original.

SU ÚNICO Y EXCLUSIVO RECURSO SEGÚN LOS TÉRMINOS DE ESTA GARANTÍA LIMITADA SERÁ EL DE REPARAR EL PRODUCTO SEGÚN SE ESTIPULA EN LA PRESENTE. El servicio deberá ser proporcionado por una compañía de servicio designada por Whirlpool. Esta garantía limitada es válida solamente en Estados Unidos o en Canadá, y se aplica solamente cuando el aparato principal se use en el país en el que se ha comprado. Esta garantía limitada está en vigencia a partir de la fecha de la compra del consumidor original. Se requiere un comprobante de la fecha de compra original para obtener servicio técnico bajo esta garantía.

### QUÉ NO ESTÁ CUBIERTO

1. Uso comercial, no residencial, multifamiliar o uso inconsistente con las instrucciones de instalación, operador o usuario publicadas.
2. Instrucciones provistas en la casa para usar el producto.
3. Servicio técnico para corregir mantenimiento o instalación incorrectos del producto, instalación no acorde con los códigos eléctricos o de plomería o corrección de electricidad o plomería de la casa (p. ej. cableado, fusibles o mangueras de entrada de agua en la casa).
4. Piezas consumibles (p. ej. focos de luz, baterías, filtros de aire o de agua, soluciones conservantes).
5. Defectos o daños causados por el uso de piezas o accesorios no originales de Whirlpool.
6. Conversión de productos de gas natural o gas propano.
7. Daños causados por accidente, uso indebido, abuso, incendio, inundación, actos fortuitos o uso con productos no aprobados por Whirlpool.
8. Reparaciones de piezas o sistemas para corregir daños o defectos causados por servicio técnico, alteración o modificación no autorizados del electrodoméstico.
9. Daños estéticos, incluso rayaduras, abolladuras, desportilladuras u otro daño al acabado del electrodoméstico, a menos que se deba a defectos de materiales o mano de obra y se informe a Whirlpool en un plazo de 30 días.
10. Decoloración, herrumbre u óxido de superficies causados por ambientes cáusticos o corrosivos, incluso, entre otras cosas, altas concentraciones de sal, alta humedad o condensación o exposición a sustancias químicas.
11. Pérdidas de alimentos o de medicamentos debido a fallas del producto.
12. Recogida o entrega. Este producto está diseñado para reparaciones en el hogar.
13. Gastos de viaje o transporte para el servicio en ubicaciones remotas donde no se dispone de un técnico autorizado de Whirlpool.
14. Retiro o reinstalación de electrodomésticos inaccesibles o componentes integrados (p. ej. adornos, paneles decorativos, pisos, gabinetes, islas, encimeras, mampostería) que interfieran con el servicio técnico, el retiro o el reemplazo del producto.
15. Servicio técnico o piezas para electrodomésticos con números de modelo/serie originales que se hayan removido, alterado o que no se puedan determinar con facilidad.

**El costo de la reparación o del reemplazo bajo estas circunstancias de exclusión correrá por cuenta del cliente.**

## EXCLUSIÓN DE GARANTÍAS IMPLÍCITAS

LAS GARANTÍAS IMPLÍCITAS, INCLUSO CUALQUIER GARANTÍA IMPLÍCITA DE COMERCIABILIDAD O GARANTÍA IMPLÍCITA DE ADECUACIÓN PARA UN PROPÓSITO PARTICULAR, ESTARÁN LIMITADAS A UN AÑO O AL PERÍODO MÁS CORTO PERMITIDO POR LEY. Algunos estados y provincias no permiten la limitación de la duración de las garantías implícitas de comerciabilidad o capacidad, de modo que la limitación antes indicada quizá no le corresponda. Esta garantía le otorga derechos legales específicos y es posible que usted tenga también otros derechos que varían de un estado a otro o de una provincia a otra.

## EXCLUSIÓN DE DECLARACIONES FUERA DE LA GARANTÍA

Whirlpool no se responsabiliza de la calidad, durabilidad o necesidad de servicio o reparación de este electrodoméstico principal aparte de las representaciones contenidas en esta garantía. Si desea una garantía más prolongada o más completa que la garantía limitada que se incluye con este aparato principal, debe dirigirse a Whirlpool o a su minorista para la compra de una garantía extendida.

## LIMITACIÓN DE RECURSOS: EXCLUSIÓN DE DAÑOS INCIDENTALES Y CONSECUENTES

SU ÚNICO Y EXCLUSIVO RECURSO SEGÚN LOS TÉRMINOS DE ESTA GARANTÍA LIMITADA SERÁ EL DE REPARAR EL PRODUCTO SEGÚN SE ESTIPULA EN LA PRESENTE. WHIRLPOOL NO SE HARÁ RESPONSABLE DE DAÑOS INCIDENTALES O DERIVADOS. Algunos estados y provincias no permiten la exclusión o limitación de daños incidentales o consecuentes, de modo que estas limitaciones y exclusiones quizá no le correspondan. Esta garantía le otorga derechos legales específicos y es posible que usted tenga también otros derechos que varían de un estado a otro o de una provincia a otra.

03/17

®/™ ©2024 Whirlpool. All rights reserved.  
Tous droits réservés.  
Todos los derechos reservados.

W11752381A

10/24

51

## NOTES

## NOTES

## NOTES

## NOTES

## NOTES