

## Operating and Installation Instructions Fridge-freezer Combination




To prevent accidents and damage to the range, you **must** read all instructions supplied before installing or using the appliance.

# Contents




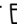
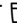


---

<b>IMPORTANT SAFETY INSTRUCTIONS</b> .....	<b>6</b>
<b>Sustainability and environmental protection</b> .....	<b>17</b>
How to save energy .....	18
<b>Installation</b> .....	<b>19</b>
Fastening the refrigeration appliance in the niche.....	19
Installation dimensions .....	20
KFMC 3836 R/L.....	20
Installation site .....	21
Climate range .....	22
Before installation .....	22
Load-bearing capacity of the niche floor.....	22
Side-by-side installation.....	23
Ventilation.....	23
Door hinge change .....	23
Safety notes for the plumbed water connection .....	23
Water filter.....	24
Changing the water filter (active charcoal filter) or replacing with a mesh filter.....	25
Lead-free certificate .....	30
Electrical connection .....	31
<b>Overview</b> .....	<b>33</b>
Your KFMC 3836 R/L refrigeration appliance.....	33
Main menu on display KFMC 3836 R/L.....	35
Symbols on the display .....	36
Operation.....	36
Networking.....	37
Interior lighting (SmartLight).....	38
SuperCool&AirClean ❄️ <sup>s</sup> .....	38
SuperFreeze ❄️.....	39
QuickIce.....	39
Vacation mode .....	39
Eco mode.....	40
Sabbath mode .....	40
Charcoal filter (AirClean System).....	41
Camera (FoodView) .....	41
Temperature alarm in the freezer zone.....	41
Door alarm.....	42

Adjusting the interior fittings .....	42
Removing or moving the door shelves .....	42
Removing or moving the shelves.....	43
Removing the MasterFresh drawer.....	43
Inserting the MasterFresh Pro drawer .....	43
Removing the DailyFresh ExtraCool drawer .....	44
Inserting the DailyFresh ExtraCool drawer .....	44
Removing containers from the freezer drawer .....	45
Placing containers in the freezer drawer .....	45
Removing ice cube containers.....	45
Accessories supplied .....	45
Optional accessories .....	46
<b>Commissioning</b> .....	<b>47</b>
Before using for the first time .....	47
Connecting the refrigeration appliance .....	47
Inserting the charcoal filter (AirClean System)  into the holders in the fridge zone .....	47
Requirements for networking .....	49
Switching on the refrigeration appliance .....	49
Performing Initial set-up.....	50
Switching on the cameras.....	50
Switching off cameras .....	50
Selecting a water filter .....	51
Switching off the refrigeration appliance .....	51
To note when switching off for longer periods of time .....	51
<b>Operation</b> .....	<b>52</b>
Temperature in the fridge zone.....	52
Temperature in the freezer zone.....	52
Temperature display.....	53
Switching on the Vacation mode function.....	53
Switching off the Vacation mode function .....	53
Switching on the Eco mode function .....	53
Switching off the Eco mode function .....	53
Switching on the Sabbath mode function .....	54
Switching off the Sabbath mode function .....	54
Storing food in the fridge zone .....	54
Different storage zones.....	55
Should food be stored loose or in packaging? .....	55
Storing food in the MasterFresh Pro drawer .....	56
Selecting the right setting for the MasterFresh Pro drawer.....	56
Creating a favorite for the individual setting in the MasterFresh Pro drawer ..	57
DailyFresh ExtraCool drawer .....	57

# Contents

---

Freezing and storing fresh food .....	58
Cooling drinks quickly .....	58
Water dispenser  .....	58
Dispensing water from the Water dispenser  .....	58
Setting favorites for the Water dispenser  .....	59
Deleting favorites for the Water dispenser  .....	60
Locking the Water dispenser  .....	60
Unlocking the Water dispenser  .....	60
Ice maker .....	60
Turning on the ice maker.....	60
Turning off the ice maker .....	61
<b>Customizing settings.....</b>	<b>62</b>
Opening the Settings menu.....	62
 Settings: Overview .....	62
General.....	63
Display brightness .....	63
Sounds .....	63
Security .....	63
Networking.....	63
Wi-Fi .....	63
Connection .....	63
Appliance function .....	64
Cameras .....	64
Interior lighting.....	64
Filter management.....	64
Automatic SuperFrost.....	64
Information .....	65
Data plate.....	65
Software.....	65
Legal Information .....	65
Service .....	65
<b>Cleaning and care .....</b>	<b>66</b>
Cleaning agents .....	66
Preparing the refrigeration appliance for cleaning.....	66
Cleaning the interior of the appliance .....	67
Cleaning the camera .....	67
Cleaning the water filter (mesh filter, spare part) .....	69
Cleaning the door seal.....	71
Cleaning the ventilation openings.....	71
After cleaning .....	71
Defrosting .....	71
<b>Frequently asked questions.....</b>	<b>72</b>

# Contents

---

<b>Customer Service</b> .....	<b>79</b>
Contact in the event of a fault .....	79
Appliance warranty and product registration .....	79
<b>Information</b> .....	<b>80</b>
Declaration of conformity.....	80

## IMPORTANT SAFETY INSTRUCTIONS


This refrigeration appliance complies with current safety requirements. Inappropriate use can, however, lead to personal injury and material damage.

Please read the operating and installation instructions carefully before using the refrigeration appliance for the first time. They contain important information on installation, safety, use, and maintenance. This will prevent both personal injury and damage to the refrigeration appliance.

Miele expressly and strongly advises that you read and follow the instructions in the chapter on installing the refrigeration appliance as well as in the "IMPORTANT SAFETY INSTRUCTIONS".

Miele cannot be held liable for injury or damage caused by non-compliance with these instructions.

Keep these instructions in a safe place and pass them on to any future owner.

 Risk of injury and damage due to very heavy refrigeration appliance tipping over.

The refrigeration appliance is very heavy and can tip forward when the doors/drawers are open.

Do not remove the refrigeration appliance from the pallet until the preparations for installing it are complete.

Keep the doors/drawers shut until the refrigeration appliance has been built in and secured in its niche in accordance with the installation instructions.

### Appropriate use

- ▶ This appliance is intended for use in domestic households and similar residential environments such as
  - staff kitchen areas in shops, offices and other working environments
  - farm houses and by clients in hotels, motels and other residential type environments
  - bed and breakfast type environments
  - catering and similar non-retail applications.

This appliance is not intended for use outdoors, in damp environments or in places exposed to rain.

## IMPORTANT SAFETY INSTRUCTIONS

---

▶ This refrigeration appliance is intended for domestic use only for cooling and storing food and drink, as well as for storing deep frozen food, freezing fresh food, making ice, and dispensing drinking water. Any other usage is at the owner's risk and could be dangerous.

▶ This refrigeration appliance is not suitable for storing and keeping cool medicines, blood plasma, laboratory preparations, or other similar substances or products that are subject to the Medical Device Directive. Incorrect use of the refrigeration appliance for such purposes may cause deterioration of the items stored. The refrigeration appliance is also not suitable for use in areas where there is a risk of explosion.

Miele cannot be held liable for damage resulting from incorrect or improper use or operation.

▶ This refrigeration appliance may only be used by people (including children) with reduced physical, sensory, or mental capabilities or lack of experience and knowledge if they are supervised while using it.

### **Safety with children**

▶ Children should be supervised in the vicinity of the appliance.

▶ To reduce the risk of injury, do not allow children to play in, on or near the appliance.

▶ The door hinges can cause injury. Keep children well away at all times.

▶ Ensure that any packing material is disposed of safely and kept out of the reach of children. DANGER of suffocation!

# IMPORTANT SAFETY INSTRUCTIONS

---

## Technical safety

► The coolant circuit has been checked for leaks. The refrigeration appliance complies with statutory and regulatory requirements.



If the cooling circuit is damaged, refrigerant and oil can escape and ignite.

► **Warning: fire hazard/flammable materials.** This symbol is on the compressor and indicates flammable materials. Do not remove this sticker.

The refrigerant inside the appliance (details on the data plate) is environmentally friendly but flammable.

The use of this refrigerant does, however, sometimes lead to a slight increase in the noise level of the appliance. In addition to the noise of the compressor, you might be able to hear the refrigerant flowing around the cooling circuit. Unfortunately, this cannot be avoided, but it does not affect the performance of the refrigeration appliance.

When transporting and installing the refrigeration appliance, ensure that no parts of the cooling circuit are damaged. Splashes of refrigerant can damage the eyes and leaking refrigerant can ignite.

In the event of damage:

- Avoid open flames or anything which creates a spark.
- Disconnect the refrigeration appliance from the power supply.
- Ventilate the room where the refrigeration appliance is located for several minutes.
- Contact Miele Service.

► The more refrigerant there is in a refrigeration appliance, the larger the room it should be installed in. In the event of a leakage, if the appliance is in a small room, there is the danger of a combustible gas/air mixture building up. For every 8 g of refrigerant, at least 3.3 ft<sup>3</sup> (1 m)<sup>3</sup> of room space is required. The amount of refrigerant in the refrigeration appliance is stated on the data plate inside the appliance.

► If the ventilation openings are covered or blocked, a combustible gas/air mixture can form if the cooling circuit is damaged. It is essential to observe the required ventilation openings. The ventilation openings must never be obstructed.

## IMPORTANT SAFETY INSTRUCTIONS

---

▶ To avoid the risk of damage to the appliance, make sure that the connection data (fuse rating, frequency and voltage) on the data plate corresponds to the household supply.

Check that this is the case before connecting the appliance. Consult a qualified electrician if in any doubt.

▶ The electrical safety of the appliance can only be guaranteed when correctly grounded. It is essential that this standard safety requirement is met. If in any doubt please have the electrical installation tested by a qualified electrician.

▶ Temporary or permanent operation on an autonomous power supply system or a power supply system that is not synchronized with the grid power supply (e.g., island networks, back-up systems) is possible. A prerequisite for operation is that the power supply system complies with national and local codes.

The function and operation of the protective measures provided in the domestic electrical installation and in this Miele product must also be maintained in isolated operation or in operation that is not synchronized with the grid power supply, or these measures must be replaced by equivalent measures in the installation.

▶ The outlet must not be concealed behind the appliance and must be easily accessible so that the appliance can be quickly disconnected from the electrical supply in case of an emergency. If free access is not possible, an all-pole isolating switch must be integrated in the permanent electrical installation according to the installation regulations.

▶ If the power cord is damaged, disconnect the refrigeration appliance from the power supply immediately. Close the water supply shut-off valve. Contact Miele Service.

▶ If the power cord supplied is damaged, it must only be replaced by an original part to prevent a hazard for the user. Miele can only guarantee the safety of the appliance when original Miele parts are used. For safety reasons, this replacement should only be carried out by a qualified specialist or Miele Service.

▶ The electrical outlet must be properly grounded.

▶ Do not connect the appliance to the electrical supply with a power bar or extension cord. These are a fire hazard and do not guarantee the required safety of the appliance.

## IMPORTANT SAFETY INSTRUCTIONS

---

- ▶ If moisture gets into electrical components or into the power cord, it could cause a short circuit. Therefore, do not operate the machine in areas where there may be moisture or splashing water (e.g., garages, laundry rooms).
- ▶ This appliance must not be installed and operated in mobile installations (e.g. on a ship).
- ▶ Do not use a damaged appliance. It could be dangerous. Check the appliance for visible signs of damage.
- ▶ For safety reasons, this appliance may only be used after it has been built in.
- ▶ The machine must be disconnected from the power supply during installation, maintenance, and repair work, and installation work on the fresh water connection. The machine is only completely isolated from the power supply when:
  - the fuses have been switched off, or
  - the circuit breaker has been removed completely, or
  - the power cord has been unplugged. Pull on the plug and not on the power cord when disconnecting it from the power supply.
- ▶ Unauthorized installation, maintenance, and repairs, or a faulty plumbed water connection, can cause considerable danger for the user.  
Installation, maintenance, and repairs, installation work on the fresh water connection, and all repairs on the water dispenser must only ever be carried out by a Miele authorized technician.
- ▶ The ice cube maker must only be connected to a cold water line.
- ▶ Miele cannot be held liable for damage caused by a faulty plumbed water connection.  
When installing the water hose, make sure that the water hose is neither kinked nor damaged.  
Only use the water hose supplied. Never use a water hose that has already been used.
- ▶ Risk of injury. Rotating parts in the ice maker may cause injuries. Never reach under or into the ice maker.
- ▶ Any manufacturer's warranty may be void if the appliance is not repaired by a Miele approved service technician.
- ▶ Faulty components should only be replaced by genuine Miele replacement parts. Miele can only guarantee the safety standards of the appliance when Miele replacement parts are used.

## IMPORTANT SAFETY INSTRUCTIONS

---

- ▶ This refrigeration appliance is supplied with a special bulb to cope with particular conditions (e.g., temperature, moisture, chemical resistance, abrasion resistance, and vibration). This bulb must only be used for the purpose for which it is intended. The bulb is not suitable for room lighting. Replacement bulbs may only be installed by an authorized technician or by Miele Service. This refrigeration appliance contains several light sources with at least energy efficiency class E.
- ▶ **DANGER of injury!** Never tamper with the movable components on the ice cube maker or the element on the ice cube maker.

### **Proper installation**

- ▶ Install the refrigeration appliance in accordance with the installation instructions.
- ▶ Always wear protective gloves when transporting and installing the refrigeration appliance.
- ▶ The refrigeration appliance is very heavy and can tip forward when the appliance doors/drawers are open:
  - At least 2 people are required to transport or move the refrigeration appliance.
  - At least 2 people are required to install the refrigeration appliance.
  - Never leave the refrigeration appliance unattended while it is being installed.
  - Always use the anti-tip brackets provided to secure the refrigeration appliance in the niche (installation accessories).
- ▶ Only install the refrigeration appliance in a solid, rectangular, and level housing unit, positioned on an even and level floor.
- ▶ The refrigeration appliance is supplied with a fixed door hinge. On no account should you attempt to change the door hinge yourself. If you need to change the door hinge to the other side, please contact Miele Service.

# IMPORTANT SAFETY INSTRUCTIONS

---

## Correct use

- ▶ The refrigeration appliance is designed for use within a specific climate class (room temperature range). Do not use in a climate class for which it is not designed. A lower room temperature will cause the compressor to switch off for longer periods, meaning that the refrigeration appliance is unable to maintain the required temperature.
- ▶ **WARNING! DANGER of overheating!** Do not cover or block the air vents. This can impair the efficiency of the appliance, increase the power consumption and cause damage to the appliance.
- ▶ If storing food which contains a lot of fat or oil in the appliance, make sure that it does not come into contact with plastic components as this could cause stress cracks or break the plastic.
- ▶ Refrigeration appliance components which are made of metal or look like metal can contain aluminum. If acidic food comes into contact with aluminum, aluminum ions can be released into the food. Do not store food loose in the refrigeration appliance.
- ▶ Risk of fire and explosion. Do not store any explosive materials or products containing flammable propellants (e.g., spray cans) in the appliance. Electrical components can cause flammable mixes of gases to ignite.
- ▶ **WARNING! Risk of explosion.** Do not operate any electrical equipment (e.g., an electric ice-cream maker) inside the refrigeration appliance. Risk of sparking and explosion.
- ▶ Risk of injury and damage. Do not store cans or bottles containing carbonated drinks or liquids which could freeze in the freezer zone, the MasterFresh Pro drawer, or the DailyFresh ExtraCool drawer. Otherwise they could burst.
- ▶ Risk of injury and damage. When chilling drinks in the freezer zone, make sure that bottles are not left in for more than one hour. Otherwise they could burst.
- ▶ Risk of injury. Never handle frozen food or the metal parts of the appliance with wet hands. Your hands may freeze to the frozen food or to the metal.
- ▶ Risk of injury. Do not take ice cubes out with your bare hands and never place ice cubes or ice pops in your mouth straight from the freezer section. The very low temperature of the frozen food can cause frost burn to the lips and tongue.

## IMPORTANT SAFETY INSTRUCTIONS

---

- ▶ Do not refreeze partially or fully defrosted food. Consume defrosted food as soon as possible, as it will lose its nutritional value and spoil if left for too long. Defrosted food may only be refrozen after it has been cooked.
- ▶ When eating stored food, there is a danger of food poisoning. Storage times will depend on several factors, including the freshness and quality of the food, as well as the temperature at which it is stored. Observe the manufacturer's "use-by" dates and storage instructions.
- ▶ Do not sit, stand, or lean on the shelves or drawers when they are pulled out. This could damage the refrigeration appliance.

### Accessories and parts

- ▶ Use only genuine original Miele parts. If parts or accessories from other manufacturers are used, the warranty may become invalid.

### Cleaning and maintenance

- ▶ Do not use any oil or grease on the door seals. They can cause the seals to deteriorate over time.
- ▶ **WARNING! DANGER of injury and damage!** Do not use any mechanical tools or other types of aid which are not recommended by the manufacturer to accelerate the defrosting process.
- ▶ Never use a steam cleaner to clean the appliance. The steam can reach the electrical components and cause a short circuit.
- ▶ Sharp edged or pointed objects will damage the evaporator, causing irreversible damage to the appliance. Do not use sharp edged or pointed objects to
  - remove frost or ice,
  - separate frozen foods or remove ice trays.
- ▶ Never place electric heaters or candles in the appliance to defrost it. These can damage the plastic parts.
- ▶ Do not use defrosting sprays or de-icers, as they could contain substances which could damage the plastic parts or which might cause the build-up of gases and pose a danger to health.

# IMPORTANT SAFETY INSTRUCTIONS

---

## Transport

- ▶ To avoid damage to the refrigeration appliance, always transport it upright and in its packaging.
- ▶ Risk of injury and damage. The refrigeration appliance is very heavy and must be transported by two people.
- ▶ Before transporting the refrigeration appliance, remove the charcoal filter (AirClean system) and the filter holders from the fridge zone.

Check that the charcoal filter is intact before inserting it into the fridge zone. Never use a damaged charcoal filter.

# IMPORTANT SAFETY INSTRUCTIONS

## Disposal of your old appliance

▶ **DANGER!** Risk of child entrapment! Children could become trapped in the refrigeration appliance and could suffocate.

- Remove the appliance door(s).
- Remove the drawers.
- Leave the adjustable shelves in the refrigeration appliance so children cannot climb inside.
- If your old refrigeration appliance has a door lock, destroy it. This will prevent the risk of children playing accidentally locking themselves in and endangering their lives.

▶ Risk of electric shock!

- Cut the electrical plug off the power cord.
- Cut the power cord off the old appliance.

Dispose of the electrical plug and power cord separately from the old appliance.

▶ Ensure that the appliance is not stored in the vicinity of gasoline or inflammable gases and liquids during and after disposal.

▶ **WARNING!** Risk of fire due to escaping oil or refrigerant!

The refrigerant and oil inside the appliance are flammable. In high enough concentrations, escaping refrigerant or oil may ignite if they come into contact with an external heat source.

During disposal, make sure that the cooling circuit is not damaged in order to prevent refrigerant and oil escaping in an uncontrolled manner (see the data plate for details of the refrigerant).

▶ Splashes of coolant can cause damage to the eyes. Be careful not to damage any part of the pipework while awaiting disposal, e.g. by

- puncturing the coolant channels in the evaporator,
- kinking any pipework,
- scratching the surface coating.

## Symbol on the compressor (depending on model)

This information is only relevant for recycling. There is no risk during normal operation.

## IMPORTANT SAFETY INSTRUCTIONS

---



- ▶ The oil in the compressor can be fatal if swallowed or if it penetrates the airways.

### **Symbol on the rear of the appliance (depending on model)**

This label or a similar one is only relevant for recycling. Do not remove the label.



- ▶ This information refers to the foamed-in panels in the door and/or the housing.

# Sustainability and environmental protection

---

## Disposal of the packing material

The cardboard box and packing materials protect the appliance during shipping. They have been designed to be biodegradable and recyclable.

Ensure that any plastic wrappings, bags, etc. are disposed of safely and kept out of the reach of children. Danger of suffocation!

## Disposing of your old appliance

Electrical and electronic appliances contain many valuable materials. They also contain certain materials, compounds, and components which were essential for their correct functioning and safety. These could be hazardous to your health and to the environment if disposed of with household waste or if handled incorrectly. Please do not, therefore, dispose of your old appliance with household waste.



Take care not to damage your refrigerator before or during disposal in an authorized, environmentally-friendly manner.

This is to ensure that refrigerant in the cooling circuit and oil in the compressor is contained, and will not leak into the environment.

Instead, please make use of officially designated collection and disposal locations to dispose of and recycle electrical and electronic appliances in your local community, with your dealer, or with Miele, free of charge. By law, you are solely responsible for deleting any personal data from the appliance prior to disposal. You are legally obliged to remove any old batteries which are not securely enclosed by the appliance and to remove any lamps without destroying them, where this is possible. These must be taken to a suitable collection point where they can be handed in free of charge. Please ensure that your old appliance poses no risk to children while being stored for disposal.


# Sustainability and environmental protection

---

## How to save energy ...

---


- Installation site** The refrigeration appliance has to cool more often at higher ambient temperatures and consumes more energy in the process. Therefore, you should:
- Install the refrigeration appliance in a well-ventilated room.
  - Do not install the refrigeration appliance near to a heat source (heater element, range).
  - Protect the refrigeration appliance from direct sunlight.
  - Ensure an ideal ambient temperature of 68°F (20°C).
  - Clean the ventilation gaps on a regular basis to remove any dust.
- Temperature setting** The colder the temperature, the higher the energy consumption. The following settings are recommended:
- 39 to 41°F (4 to 5°C) in the refrigerator section.
  - 0°F (-18°C) in the freezer section.
- Use** Energy consumption is increased by heat input and impeded air circulation. Therefore, you should:
- Only open the appliance door(s) when necessary and for as short a time as possible. Arrange the food in such a way that makes it easy to find in the appliance.
  - Always close the appliance door(s) properly after opening them.
  - Allow hot food and drinks to cool down before placing them in the refrigeration appliance.
  - Store food well packaged or covered.
  - Do not overfill the compartments to allow air to circulate.
  - When placing food in the appliance, make sure that it is kept away from the back.
  - Place frozen food in the refrigerator section to defrost.
  - When placing food in the appliance, make sure that the ventilation slots in the fridge zone are not blocked.

 Carry out the installation in accordance with the installation instructions (see QR code).



Material number 12 616 350 –  
KFMC 3836 R/L

## Fastening the refrigeration appliance in the niche

 Risk of damage and injury due to the refrigeration appliance tipping over.

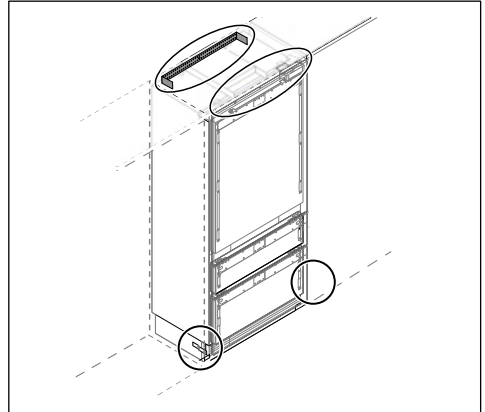
This refrigeration appliance is very heavy and can tip forward when the appliance door is open.

Keep the appliance door(s) closed until the refrigeration appliance has been built in.

Secure the niche firmly to the wall behind and/or above it with several screws.

It is essential that you secure the refrigeration appliance in the niche using the enclosed anti-tip bracket in accordance with the installation instructions.

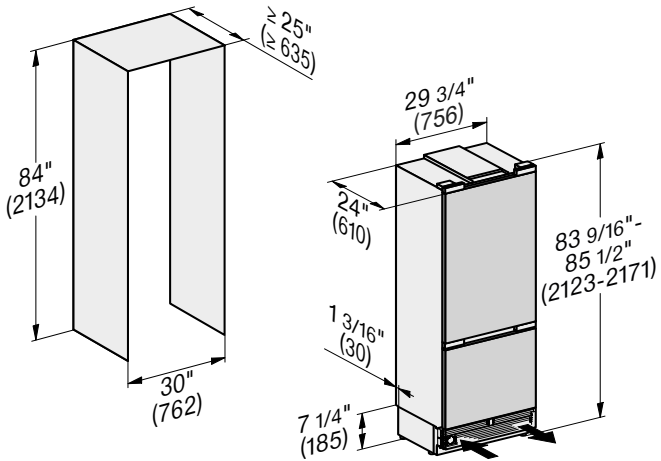
Only this can ensure that the refrigeration appliance will not tip over.



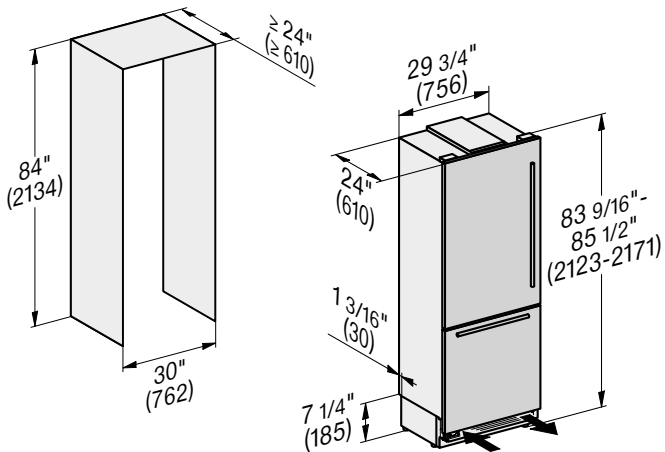
# Installation

## Installation dimensions

KFMC 3836 R/L





frameless cabinet




framed cabinet

## Installation site


 Fire hazard and risk of damage from appliances that give off heat. Appliances that give off heat can catch fire and set fire to the refrigeration appliance. The power cord must not come into contact with heat sources. This refrigeration appliance must not be installed underneath a cooktop.

 Fire hazard and risk of damage from open flames. Open flames can set fire to the refrigeration appliance. Keep open flames (such as a candle) away from the refrigeration appliance.

 Risk of fire and damage due to improper installation. If electrical plugs and power cords touch the back of the refrigeration appliance, they may be damaged by vibrations and cause a short circuit. Electrical plugs or power cords must not touch the refrigeration appliance. Power cords must not be trapped or damaged. Do not connect any other appliances to sockets located directly behind this refrigeration appliance. Do not place or operate power bars, distributor strips, or other electronic devices (such as halogen transformers) behind the appliance.

This appliance should be installed in a dry, well-ventilated room.

Only install the refrigeration appliance in a solid, rectangular, and level housing unit, positioned on an even and level floor.

 Risk of damage due to high humidity.

In environments with high humidity, condensation can build up on external refrigeration appliance panels. This condensation can cause corrosion on external appliance panels.

Install the refrigeration appliance in a dry and/or air-conditioned room with sufficient ventilation.

After installation please make sure that the appliance door(s) closes (close) properly and the refrigeration appliance is installed in accordance with these installation instructions.

The specified ventilation opening specifications must be observed.

When deciding on the installation site, please bear in mind that your refrigeration appliance will use more energy if installed near to a heater, a range, or another appliance that gives off heat. Avoid direct sunlight. Higher ambient temperatures increase energy consumption as the compressor runs for longer.

If installation near a heat source is unavoidable, observe the following minimum distances between the appliance and the heat source:

- at least 1" (3 cm) to electric or gas stoves
- at least 11" (30 cm) to oil or coal-based stoves

If it is not possible to observe these minimum distances, an isolation plate must be installed between the refrigeration appliance and the heat source.

# Installation

## Climate range

This refrigeration appliance is designed for the SN-T climate class range (ambient temperature range). Do not use in ambient temperatures for which it is not designed.


A lower ambient temperature leads to the compressor switching off for longer periods. This can cause the internal temperature in the refrigeration appliance to rise with the risk of food deteriorating and going off.

Climate range	Ambient temperature
SN	50 to 90°F (10 to 32°C)
N	61 to 90°F (16 to 32°C)
ST	61 to 100°F (16 to 38°C)
T	61 to 109°F (16 to 43°C)
SN-ST	50 to 100°F (10 to 38°C)
SN-T	50 to 109°F (10 to 43°C)

The refrigeration appliance can operate without any difficulties in rooms with a cooler ambient temperature (down to +41°F/5°C).

## Before installation

Do not install a damaged refrigeration appliance.

 Risk of damaging the floor from the load.

Moving the refrigeration appliance can cause damage to the floor.

Move the refrigeration appliance carefully on floors that are sensitive to scratching.

## Load-bearing capacity of the niche floor

To ensure the safe installation of the refrigeration appliance and to guarantee its correct functioning, the floor of the niche where the appliance is to be installed must be smooth and even.

It must be made from strong, rigid material.

Because the refrigeration appliance is extremely heavy when fully loaded, it is essential that the floor it stands on is able to bear its weight. If necessary, seek the advice of an architect or construction expert.

When fully loaded, the weight of the refrigeration appliance is approx. 1054 lbs (478 kg).


## Side-by-side installation

Your refrigeration appliance can be installed with another refrigeration appliance next to it as it is equipped with integrated heaters in the side panels.

**Tip:** Please contact your dealer for specific information about which combinations will work with your refrigeration appliance.

The side-by-side installation kit can be purchased from Miele Service or your Miele dealer.

## Ventilation

 Fire hazard and risk of damage due to inadequate ventilation.

If the refrigeration appliance is not ventilated sufficiently, the compressor will run more frequently and for longer periods. This causes increased energy consumption and an increased compressor operating temperature, which can result in damage to the refrigeration appliance.

Please ensure that there is adequate ventilation around the refrigeration appliance.

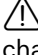
It is essential to observe the required ventilation openings.

The ventilation openings must never be obstructed.

Clean the ventilation areas regularly to remove dust and dirt.

Air at the back of the refrigeration appliance gets warm. The appliance housing unit must therefore be constructed to allow sufficient space for ventilation.

## Door hinge change

 Risk of damage and injury when changing the door hinges.

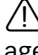
Changing the door hinges single-handedly can cause damage to the appliance and injury.

The refrigeration appliance is supplied with a fixed door hinge. On no account should you attempt to change the door hinge yourself.

If you need to change the door hinge to the other side, please contact the Technical Service department.

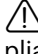
## Safety notes for the plumbed water connection

Follow the installation instructions supplied for the plumbed water connection.

 Risk of injury and appliance damage if appliance is not connected properly.


Failing to connect the appliance properly can result in personal injury and/or material damage.

The appliance may only be connected to the plumbed-water connection by qualified specialists.

 Disconnect the refrigeration appliance from the power supply before connecting it to the water supply.

Close the shut-off valve before connecting the refrigeration appliance to the water supply.

# Installation

 **WARNING!** Risk to health and risk of damage due to contaminated water!

The quality of the incoming water must conform to the requirements for drinking water in the country where the refrigeration appliance is being used.

Connect the refrigeration appliance to the drinking-water supply.

This refrigeration appliance meets the requirements of IEC 61770 and EN 61770.

Connection to the water supply must comply with the applicable regulations in the country where the appliance is being installed. All appliances and systems used to supply water to the refrigeration appliance must also comply with the applicable regulations in the respective country.

**The refrigeration appliance is only suitable for connection to a cold water supply, which**

- is directly connected to the plumbed water supply in order to ensure that water is circulated in the cold water line

Avoid connection to a water supply in which the water might stagnate. This can affect the taste of water and ice cubes.

- withstands the operating pressure
- fulfills hygiene regulations

The water pressure must be between 29 and 116 psi (2 and 8 bar/0.2 and 0.8 MPa).


Unduly high water pressure in the system can result in damage to the refrigeration appliance.

Install a pressure reducing valve if the water pressure in the system exceeds 116 psi (8 bar/0.8 MPa).

Contact a plumber if you are unsure of your water pressure.

A shut-off valve must be provided between the water line and the water supply of the building to ensure that the water supply can be cut off if necessary.

Make sure that the shut-off valve is still accessible after the refrigeration appliance has been installed.

 Risk of damage to the ice maker. If the water inlet is interrupted while the ice maker is switched on, the electronic may be damaged. The water inlet pipe may also freeze up.

Turn the ice maker off if the water supply is interrupted (e.g., while on vacation).

## Water filter

The water system will only function if a water filter is installed in the refrigeration appliance.

Your refrigeration appliance is equipped with a water filter (**active charcoal filter**) that filters tap water for making ice cubes and using the water dispenser.

The **active charcoal filter** does not filter bacteria or microbes out of the water. The **active charcoal filter** removes chlorine and other substances that may impair the taste and smell from the tap water so that only high-quality water is used for ice cube production and the

water dispenser.

The **active charcoal filter** must be replaced on a regular basis.

Alternatively (if an **external water filter** is attached to your household water supply, for example), you can use a **mesh filter** in place of an active charcoal filter.

Unlike the active charcoal filter, the **mesh filter** only filters larger particles out of tap water.

The **mesh filter** does not have to be changed. The **mesh filter** must be cleaned on a regular basis.

If you wish to use a **mesh filter** instead of an **active charcoal filter**, you must adjust the ⚙️ *Settings*: ≡ ▶ ⚙️ *Settings* ▶ *Appliance function* ▶ *Filter management* ▶ *Filter type*.

New **active charcoal filters** are available from Miele Service, your Miele dealer, or via the Internet.

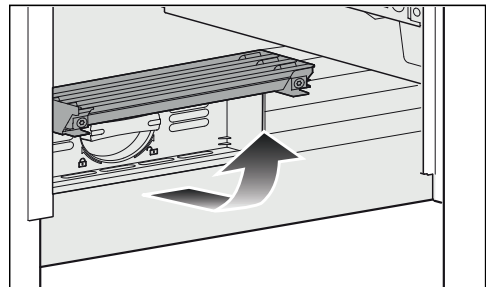
You can buy the **mesh filter** as a spare part from Miele Service, your Miele dealer, or via the Internet.

## Changing the water filter (active charcoal filter) or replacing with a mesh filter

Air in the system can cause water to gush out and the filter cartridge to spring out when it is removed. Take great care when changing the water filter.

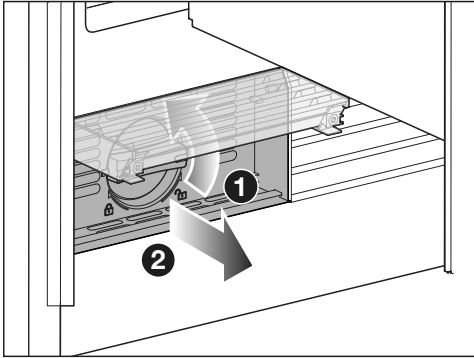
Depending on the quantity of water dispensed or ice cubes produced, the active charcoal filter needs to be changed approximately every 6 months. A notification on the display will remind you to do so.

If you have not used the refrigeration appliance, the water dispenser, or the ice maker much in the last few weeks or months, or if the ice cubes smell unpleasant, replace the charcoal filter early.

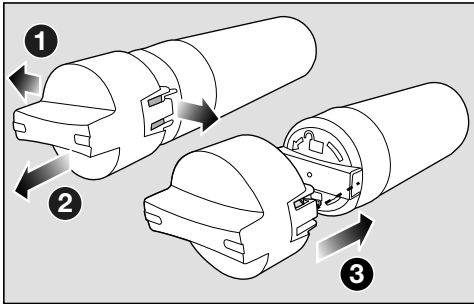


- Fold up the cover at the bottom of the refrigeration appliance.

# Installation

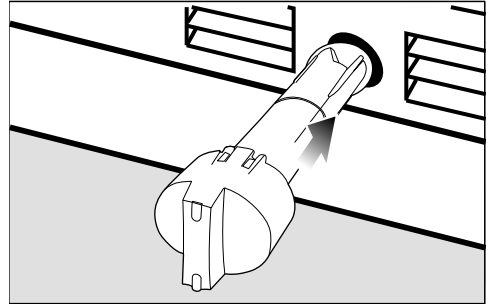


- Turn the filter cartridge 90° counter-clockwise until it is in the vertical position ① and slide it out **carefully** ②. Caution. The filter cartridge may be under pressure.
- Remove the safety cap from the new filter cartridge.

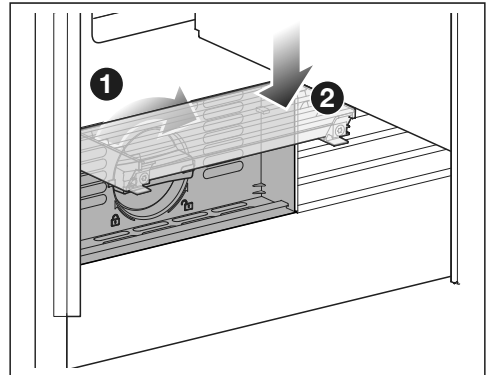


- Loosen the cap on each side of the old filter cartridge ① and pull the cap off ②.
- Put the cap on the new filter cartridge ③.
- Empty the old filter cartridge.


**Tip:** The old filter cartridge can be disposed of with household waste.



- Slide the new filter cartridge or the mesh filter into the filter opening as far as it will go, making sure the cap is vertical.



- Turn the filter cartridge clockwise 90° as far as it will go until it is in the horizontal position ①.

 Risk of damage caused by water running out.

If the filter cartridge is not inserted correctly, there is a risk of water leaking out of the refrigeration appliance. When inserting the new filter cartridge, be sure to turn it as far as the marker.

- Fold the cover back down .

Once the active charcoal filter has been replaced, the filter display must be reset. A notification on the display will remind you to do so.

After inserting a new active charcoal filter, dispose of all ice cubes produced in the next 24 hours.

Also dispose of the first 3 liters of water that is dispensed from the water dispenser after the charcoal filter is replaced.

# Installation

## Performance Data Sheet

Model: Miele 07134220

Use Replacement Cartridge 07134220

NSF System Trade name: WFS200MF & WFS210MF  
 NSF Replacement Cartridge No: WFC100MF (for WFS200MF) & WFC110MF (for WFS210MF)



System tested and certified by NSF International against NSF/ANSI Standard 42, 53, 401 for the reduction of the claims listed below.

This system has been tested according to NSF/ANSI 42, 53, 401 for reduction of the substances listed below. The concentration of the indicated substances in water entering the system was reduced to a concentration less than or equal to the permissible limit for water leaving the system, as specified in NSF/ANSI 42, 53, 401.

Substance	Influent challenge concentration	Average reduction	Reduction requirement	Max. permissible product water concentration
Chlorine taste and odor	2.0 mg/L ± 10%	97.2%	≥ 50%	N/A
Chloramine	3.0 mg/L ± 10%	97.2%	N/A	0.5 mg/L
Particulate, Class I particles ≥0.5 to <1 µm	at least 10,000 particles/mL	>99.9%	≥ 85%	N/A
Atrazine	0.009 mg/L ± 10%	>94.4%	N/A	0.003 mg/L
Benzene	0.015 mg/L ± 10%	>96.8%	N/A	0.005 mg/L
Carbofuran	0.08 mg/L ± 10%	>98.8%	N/A	0.04 mg/L
p-Dichlorobenzene	0.225 mg/L ± 10%	>99.8%	N/A	0.075 mg/L
Lead pH = 6.5	0.15 mg/L ± 10%	98.8%	N/A	0.010 mg/L
Lead pH = 8.5	0.15 mg/L ± 10%	97.9%	N/A	0.010 mg/L
Mercury pH = 6.5	0.006 mg/L ± 10%	>96.5%	N/A	0.002 mg/L
Mercury pH = 8.5	0.006 mg/L ± 10%	>96.6%	N/A	0.002 mg/L
Turbidity	11 ± 1 NTU	99.1%	N/A	0.5 NTU
Ethylbenzene	2.1 mg/L ± 10%	>99.9%	N/A	0.7 mg/L
Toxaphene	0.015 mg/L ± 10%	>93.3%	N/A	0.003 mg/L
Asbestos	10 <sup>7</sup> to 10 <sup>8</sup> fibers/L; fibers greater than 10 µm in length	>99%	99%	N/A
Cyst	minimum 50,000/L	99.99%	99.95%	N/A
Meprobamate	400 ng/L ± 20%	>95.2%	N/A	60 ng/L
Atenolol	200 ng/L ± 20%	>95.6%	N/A	30 ng/L
Carbamazepine	1,400 ng/L ± 20%	>98.6%	N/A	200 ng/L

Substance	Influent challenge concentration	Average reduction	Reduction requirement	Max. permissible product water concentration
DEET	1,400 ng/L $\pm$ 20%	>98.7%	N/A	200 ng/L
Phenytoin	200 ng/L $\pm$ 20%	>94.4%	N/A	30 ng/L
Metolachlor	1,400 ng/L $\pm$ 20%	>98.7%	N/A	200 ng/L
Ibuprofen	400 ng/L $\pm$ 20%	>95.3%	N/A	60 ng/L
Trimethoprim	140 ng/L $\pm$ 20%	>96.7%	N/A	20 ng/L
Linuron	140 ng/L $\pm$ 20%	>96.6%	N/A	20 ng/L
Naproxen	140 ng/L $\pm$ 20%	>96.2%	N/A	20 ng/L
Estrone	140 ng/L $\pm$ 20%	>96.3%	N/A	20 ng/L
Bisphenol A	2,000 ng/L $\pm$ 20%	>99.0%	N/A	300 ng/L
Nonyl phenol	1,400 ng/L $\pm$ 20%	>96.3%	N/A	200 ng/L

Tested using a flow rate of **0.55 gpm (2.0 L/min)**, pH of **7.5  $\pm$  0.5**, pressure of **60 psig**, and temperature of **68  $\pm$  5 °F**.

NOTE : The testing was performed under standard laboratory conditions, actual performance may vary.

### Operation conditions

Service flow rate	0.55 gpm (2 L/m)
Water pressure	30 psi – 125 psi (206 kPa – 861 kPa)
Water temperature	35 °F – 100 °F (2 °C – 38 °C)
Function	chemical/mechanical
Capacity	WFS200MF 250 gallons (946 L), WFS210MF 150 gallons (567 L)

**Warning :** Do not use with water that is microbiologically unsafe or of unknown quality without adequate disinfection before or after the system. Systems certified for cyst reduction may be used on disinfected water that may contain filterable cyst.

### Notice :

- Adsorption media will not be regenerated and used.
- Systems must be installed and operated in accordance with manufacturer's recommended procedures and guidelines. The system and installation shall comply with applicable state and local regulations.
- Install on cold water line only.
- Flush 3 gallons through filter before use (flush approximately 5 minutes).
- To maintain proper filtration, replace the filter at least every 6 months.

### Manufacturer :

Microfilter Co., Ltd., 162-1,Sansu, Deoksan, Jinchun, Chungbuk, Korea  
Tel. No.: +82-43-531-7022

# Installation

---

## Lead-free certificate



This product is tested and certified by WQA against NSF/ANSI/CAN 372 and NSF/ANSI/CAN 61: Q ≤ 1 (pursuant to California Health & Safety Code Section 116876(c)).

Miele & Cie. KG  
Carl-Miele-Straße 29  
33332 Gütersloh  
Germany

## Electrical connection

### Risk of electric shock!

The refrigeration appliance must only be switched on when it has been installed in accordance with the installation instructions.

Ground the refrigeration appliance.

The refrigeration appliance must not be grounded via a gas pipe.

If in doubt, have a suitably qualified and experienced electrician check that the installation complies with relevant regulations.

Do not install a fuse into neutral current or grounding electrical circuit.

Do not use an extension cord or power bar.

Do not use a frayed or damaged power cord.

### Risk of electric shock!

For protection against electric shock, this refrigeration appliance is equipped with a pole-free electrical plug which is protected against reverse polarity. The electrical socket must be properly grounded.

Do not remove the round grounding connector pin from the electrical plug.

Use only a grounded plug adapter.

Wait for 1 hour after installation before plugging the refrigeration appliance into the electricity supply. This allows coolant and refrigeration oil to settle in accordance with regulations.

Ensure that the voltage of the power supply corresponds with the connection voltage of the refrigeration appliance. A power supply of 110–120 V, 60 Hz, and 10–16 A, which is protected by a power switch or a fuse, is required to operate the refrigeration appliance.

The manufacturer recommends operating the refrigeration appliance on a separate circuit to avoid overloading the electrical circuit.

All relevant legal electrical, fire, and building regulations must be observed when installing the socket and/or the refrigeration appliance.

In certain countries, refrigeration appliances are required to be connected to the electrical supply via a wall-mounted ON/OFF switch.

To avoid the risk of fire, electric shock, or other injuries, the refrigeration appliance must be installed and connected by a suitably qualified electrician in accordance with all relevant local and national regulations and standards, including fire prevention.

The outlet must not be concealed behind the refrigeration appliance and must be easily accessible so that the appliance can be quickly disconnected from the electrical supply in case of an emergency.

If the outlet is no longer accessible after installation, an additional means of disconnection must be provided for all poles. Suitable means of disconnection include switches with an all-pole con-

# Installation

---

tact gap of at least 1/8" (3 mm). These can be circuit breakers, fuses, and relay switches.

The electrical plug and power cord must not come into contact with the back of the refrigeration appliance as vibrations can cause damage to these components. This could result in a short circuit.

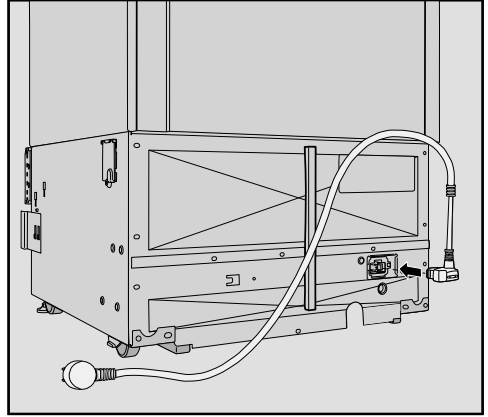
Do not plug in other appliances behind the refrigeration appliance.

Do not connect the refrigeration appliance to a stand-alone inverter such as those used with an autonomous power supply e.g., **solar power**.

When the refrigeration appliance is switched on, power surges could result in a safety shut-off. This can damage the electronics. The refrigeration appliance must not be used with so-called **energy saving devices** either. These reduce the amount of energy supplied to the appliance, causing it to overheat.

If the power cord needs to be replaced, this must be performed by a qualified electrician.

## Connecting the appliance



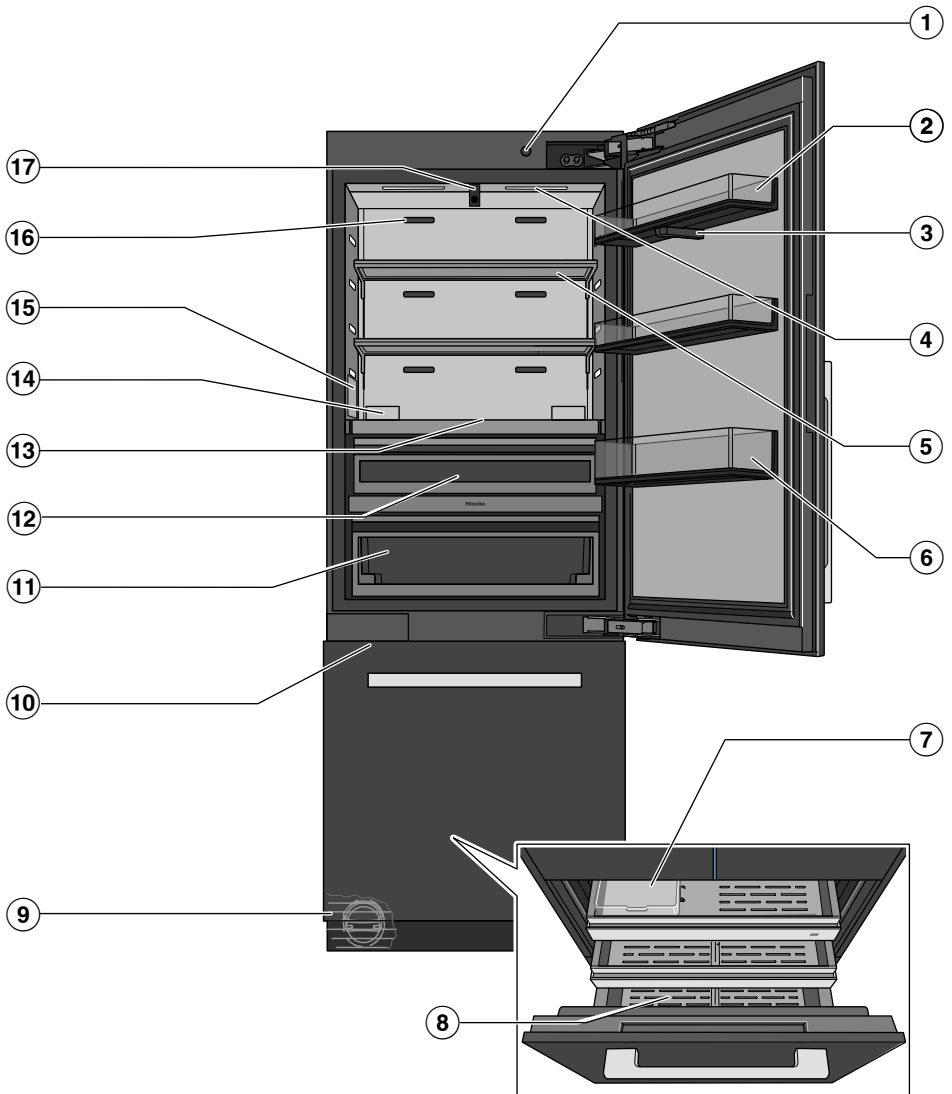
- Insert the plug into the back of the appliance.

Make sure that the plug has clicked into position correctly.

- Insert the plug into the electrical outlet and switch on.

The appliance is now connected to the electricity supply.

## Your KFMC 3836 R/L refrigeration appliance

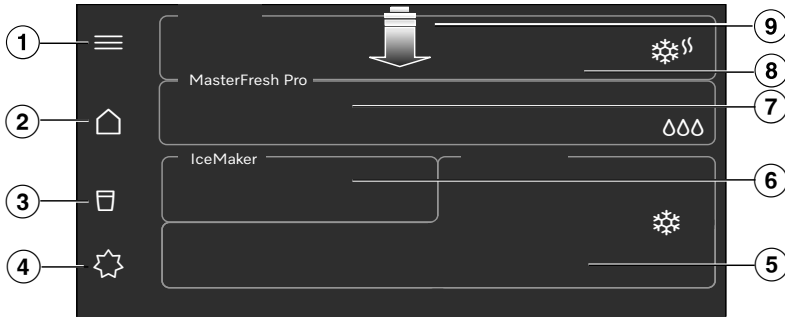


# Overview

---

- ① On/Off switch
- ② Door shelves
- ③ Camera (FoodView):  
The camera takes photos of the interior of the fridge zone.
- ④ Interior lighting (SmartLight):  
The interior lighting adapts to the lighting conditions in the room.
- ⑤ Adjustable shelf
- ⑥ Gallon bin: Place large bottles and containers here.
- ⑦ Ice-cube container
- ⑧ Freezer drawer: For storing large items of frozen food.
- ⑨ Water filter
- ⑩ IceMaker
- ⑪ MasterFresh Pro drawer:  
For storing fruit, vegetables, dairy products, meat, and fish at 32°F (0°C) and an ideal humidity level.
- ⑫ DailyFresh ExtraCool drawer:  
Use this low-temperature drawer to store food that goes bad quickly.
- ⑬ Display
- ⑭ Holder for the charcoal filter (AirClean system)
- ⑮ Water dispenser
- ⑯ Ventilation slots:  
When placing food in the fridge zone, make sure that the ventilation slots are not blocked.
- ⑰ 2 cameras (FoodView):  
The cameras take photos of the door shelves and the MasterFresh Pro drawer.

## Main menu on display KFMC 3836 R/L



- ① Make the *Settings*, check the filter levels (*Water filter*, *AirClean System*), call up the *Notifications* and *Tips* (e.g., how to use, replace, or reactivate the *Air-Clean System* or how to replace or clean the *Water filter*)
- ② Main menu
- ③ Display and select favorites for the *Water dispenser*, lock the *Water dispenser*
- ④ Switch the *Standard*, *Eco mode*, *Sabbath mode*, and *Vacation mode* functions on and off
- ⑤ Display the required temperature for the *Freezer zone*, set the temperature; switch the *SuperFreeze* function on and off ❄️
- ⑥ Switching the ice maker and the *QuickIce* function on and off
- ⑦ Display and select the setting in the *MasterFresh Pro* drawer
- ⑧ Display the required temperature for the *Fridge zone*, set the temperature, switch the *SuperCool&AirClean* function ❄️ on and off
- ⑨ Pull-down menu with quick access to various functions (e.g., checking the filter levels (*Water filter*, *AirClean System*), switching *Sensor lock* on and off)

# Overview

## Symbols on the display

Various different symbols are used on the display.

	See the operating instructions
	Delete last character
	Next step
	Previous step
	OK
	Accept
	Back
	Close window
	Menu
	Favorites
	Information
	Note
	Context menu
	Edit
	Delete
	Process successfully completed

## Operation

### Navigating the display

Your refrigeration appliance display shows the different refrigeration areas/functions of your refrigeration appliance.

The display can be scratched by pointed or sharp objects, e.g., pens. Only touch the display with your fingertips.

- Touch the required refrigeration area or function on the display to select settings.

A subsection opens or the function is selected directly by being highlighted in color.

- To display additional functions, swipe your finger in the required direction on the display.

Touch to see useful information about the selected function.

### Exiting a menu level

You are in a menu.

- Depending on the menu, select *Close window* or *Back*.

The higher-level menu is displayed.

## Adjusting parameters

You can switch parameters on or off or adjust them on a scale (e.g., the temperature).

### Selecting or deselecting parameters

Activated parameters are highlighted in color.

- Touch the parameter that you wish to select or deselect.
- Confirm with ✓ *OK*.

The parameter is saved.

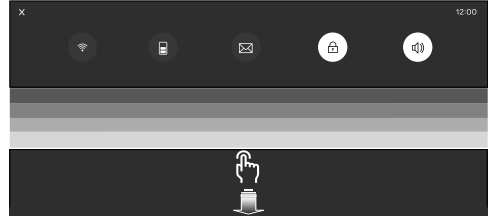
### Changing parameters on a scale

- Select the parameter you want to change.
- Move the scale to the left or right until the required value is highlighted.
- Confirm with ✓ *OK*.

The value is saved.

## Displaying the pull-down menu

The pull-down menu provides quick access to certain functions such as switching the network connection or the sensor lock on and off. You can also open filter statuses and notifications via the pull-down menu.



- Open the pull-down menu by pulling it down from the top edge of the display.

- Select the function you want.

The selected function will light up white.

- Touch × *Close window* to close the pull-down menu.

## Networking

Your refrigeration appliance is equipped with an integrated Wi-Fi module. The Wi-Fi module makes it possible to connect to your home network and to use the Miele app on a mobile device.

Once your refrigeration appliance has been connected via Wi-Fi, the connection is automatically re-established every time it is switched on.

Make sure that your Wi-Fi network signal is strong enough in the place where you intend to install your refrigeration appliance.

Connecting your refrigeration appliance to your Wi-Fi network will increase energy consumption, even when the appliance is switched off.

# Overview

## Smart Extras via the Miele app\*

Networking via the Miele app gives you access to numerous Smart Extras, including:

- Access status information.
- Use additional helpful functions.
- Keep your refrigeration appliance up to date with the latest Miele developments via software updates.

You can find more detailed information about Smart Extras on the Miele website, in the Apple App Store®, or in the Google Play Store™.


\*This is a separate digital offer from Miele & Cie. KG. The range of functions can vary depending on the model and the country. Acceptance of the General Terms and Conditions and Privacy Policy for Miele digital products and services in the Miele app required. Miele reserves the right to change or discontinue the digital offers at any time.

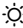
## Interior lighting (SmartLight)

Your refrigeration appliance has automatic interior lighting. The automatic interior lighting in the fridge zone automatically adapts to the lighting conditions in the room.


To ensure that the cameras can function correctly, the interior lighting must be set to **maximum** brightness.

When the **automatic** interior lighting is switched on, its intensity might not be sufficient to assure the quality of the camera images taken.

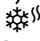
If this is the case, **switch** the automatic interior lighting **off**: ≡ ▶  *Settings* ▶ *Appliance function* ▶ *Interior lighting* ▶ *Automatic*.


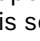
Then set the controller manually to **maximum** brightness .

## SuperCool&AirClean

When the SuperCool&AirClean function  is switched on, the temperature in the **fridge zone** drops to **33°F (1°C)**.

Select this function for the rapid chilling of large amounts of fresh food or drink.

If you want to rapidly chill large amounts of fresh food or drinks, the SuperCool&AirClean function  must be switched on **before placing** food or drinks in the fridge zone.

**Tip:** You should also activate the SuperCool&AirClean function  temporarily if you are storing strong-smelling food in the fridge zone. When the SuperCool&AirClean function  is selected, the charcoal filter works even harder to further reduce odors in the fridge zone.

The SuperCool&AirClean function ❄️<sup>ss</sup> will switch itself off automatically after max. 6 hours.

The *QuickIce* function will switch itself off automatically after max. 48 hours.

## SuperFreeze ❄️

When the SuperFreeze function ❄️ is switched on, the temperature in the **freezer zone** drops to **-15°F (-26°C)**. Select this function before freezing fresh food **weighing 4.4 lbs (2 kg) or more**. Fresh food will be frozen quickly, so that the nutritional value, vitamin content, appearance, and taste are maintained. In addition, the *QuickIce* function is activated in the ice maker and ice-cube production speeds up.

The SuperFreeze function ❄️ must be turned on around **4–6 hours before placing** the food in the freezer zone.

The SuperFreeze function ❄️ turns off automatically after a maximum of 8 hours. The exact amount of time will vary according to how much fresh food is placed in the freezer.

If you place a large amount of food in the freezer zone and the temperature in the freezer zone rises, the **Automatic SuperFrost** function switches on automatically for a while.

Ideally, place the food in the right-hand section of the freezer drawer for this purpose.

## QuickIce

When the ice maker is switched on, you can select the *QuickIce* function.

When the *QuickIce* function is switched on, ice cube production speeds up.

The temperature in the **freezer zone** drops to **-15°F (-26°C)**.

## Vacation mode

The *Vacation mode* function is useful when you go on vacation, for example, if you do not wish to switch off the fridge zone completely or do not need a high degree of cooling.


The fridge zone therefore remains in operation while saving energy.

When the *Vacation mode* function is switched on:

- The fridge zone and the MasterFresh Pro drawer are regulated to a temperature of 57°F (14°C).
- The temperature in the DailyFresh ExtraCool drawer increases to approx. 54°F (12°C).
- No settings can be selected in the MasterFresh Pro drawer.
- The SuperCool&AirClean ❄️<sup>ss</sup> and SuperFreeze ❄️<sup>ss</sup> functions are switched off.
- The freezer zone remains switched on at the previously set temperature.
- The ice maker is switched off temporarily.

**Tip:** Food which does not spoil quickly can be stored in the refrigeration appliance for some time at this moderate fridge zone temperature. This also prevents the build-up of odors and bacteria which can occur if the fridge zone is switched off and the appliance door is closed.


## Overview

 Health risk caused by decomposing food.

The usability and quality of food in the fridge zone may deteriorate if the temperature remains above 39°F (4°C) for an extended period.

Only ever switch on the *Vacation mode* function for a limited period.

Do not store any temperature-sensitive food which spoils easily, such as fruit, vegetables, fish, meat, and dairy products, during this time.

 Health risk caused by decomposing food.

The usability and quality of food in the fridge zone may deteriorate if the temperature remains above 39°F (4°C) for an extended period.


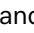
Only ever switch on the *Eco mode* function for a limited period.

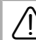
Do not store any temperature-sensitive food which spoils easily, such as fruit, vegetables, fish, meat, and dairy products, during this time.

### Eco mode

The *Eco mode* function is useful if you do not need a high degree of cooling in the fridge zone and in the freezer zone. Energy consumption is lower than in normal operation.

When the *Eco mode* function is switched on:

- The fridge zone is regulated to a temperature of 43°F (6°C); the temperature in the MasterFresh Pro drawer is increased to around 37°F (3°C).
- The temperature in the DailyFresh ExtraCool drawer increases to approx. 4°C (39°F).
- The freezer zone is regulated to a temperature of 3°F (-16°C).
- The *QuickIce* function is switched off.
- The SuperCool&AirClean  and SuperFreeze  functions are switched off.

 Health risk caused by decomposing food.

Storing food at a temperature higher than 0°F (-18°C) in the freezer zone for an extended period of time may impair the storage life and quality of the food.

Only ever switch on the *Eco mode* function for a limited period.

When switching to the *Eco mode* function, check that the food in the freezer zone is already properly frozen.

Do not freeze any new food while the *Eco mode* function is switched on.

### Sabbath mode

The refrigeration appliance has a *Sabbath mode* function to support the observance of religious customs.

Switching on the *Sabbath mode* function temporarily switches off the following features:

- interior lighting
- all audible and visual signals
- the cameras: The camera does not take any photos and no photos are displayed in the Miele app.

- reminders (e.g., to change or clean the water filter): The set time interval is paused.
- all other functions including Super-Freeze ❄️, SuperCool&AirClean ❄️<sup>sl</sup>, the water dispenser, and the ice maker

When the *Sabbath mode* function is switched on, you cannot make any settings on your refrigeration appliance or via the Miele app. Only Sabbath mode can be switched off.

## Charcoal filter (AirClean System)

The charcoal filters in the *AirClean System* neutralize unpleasant odors in the fridge zone and stop odors from being transferred to the food.

**Tip:** We recommend selecting the SuperCool&AirClean function ❄️<sup>sl</sup> temporarily if you are storing strong-smelling food in the fridge zone. When the SuperCool&AirClean function ❄️<sup>sl</sup> is selected, the charcoal filter works even harder to further reduce odors in the fridge zone.

The charcoal filters in the *AirClean System* can be reactivated in the oven or a similar domestic appliance with an oven function in a sustainable way and used again (a notification reminding you to reactivate them appears on the display approximately every 6 months).

The charcoal filters can be reactivated approximately 5 times; they must be replaced with new ones after approximately 3 years. A notification on the display will remind you to do so.

Used charcoal filters can be disposed of with household waste.

New charcoal filters are available from Miele Service, your Miele dealer, or via the Internet (see “Familiarization”, “Optional accessories”).

## Camera (FoodView)

Your refrigeration appliance is supplied with several cameras in the fridge zone.

Every time you open and close the fridge zone doors, the cameras take photos of the inside of the fridge zone and the door shelves.

Every time you open and close the MasterFresh Pro drawer, the camera takes photos of the content of the MasterFresh Pro drawer.

When the refrigeration appliance is in use, it is possible that users, people, or the area around it will be captured by the cameras and appear in the images in the Miele app. The images are processed for the purpose of being made available in the Miele app. Information about data processing is available here: ≡ ▶ ⚙️ *Settings* ▶ *Information* ▶ *Legal Information* ▶ *Open source licenses* ▶ Miele ▶ *Camera*.

## Temperature alarm in the freezer zone

The refrigeration appliance has been equipped with a temperature alarm so that the temperature in the freezer zone cannot rise unnoticed.

If the temperature in the freezer zone becomes too warm, a message appears in the display and the highest temperature that has been reached is shown. An alarm will also sound until the cause of the alarm is rectified or the alarm is switched off.


# Overview

**Tip:** Before you switch the temperature alarm off, you must determine the cause and rectify it.

The set temperature determines when the appliance recognizes a temperature as being too warm.

The audible and visual signals may be activated in the following situations:

- You switch on the refrigeration appliance and the temperature in the freezer zone differs greatly from the set temperature.
- A lot of warm room air enters the freezer zone when you are rearranging or taking out frozen food.
- You are freezing large amounts of food at once.
- You are freezing warm food.
- A power outage has occurred.
- The refrigeration appliance has a fault.

 Health risk caused by decomposing food.

If the temperature in the freezer remains above 0°F (-18°C) for a long time, the frozen food may start to defrost. This will reduce the storage life of the food.

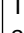

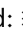


Check whether the frozen food has started to defrost. If it has, check that the food is safe to use and if it is, then use it as soon as possible or cook it before freezing it again.

## Door alarm

The refrigeration appliance is supplied with a door alarm to avoid increased energy consumption and food becoming warm if the door is left open.

A door alarm will sound if an appliance door is left open for too long.

As soon as the appliance door is closed, the door alarm will stop.

The audible door alarm can also be deactivated:   *Settings*  *General*  *Sounds*  *Buzzer tones*.

## Adjusting the interior fittings

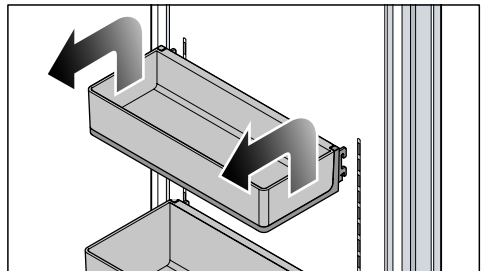
The stainless steel surfaces are very susceptible to scratching.

Be careful when handling the door shelves, storage shelves, and drawers in the refrigeration appliance and make sure that the stainless steel surfaces are not damaged.

Fully open the appliance doors when you want to move or remove door shelves, storage shelves, and drawers.

## Removing or moving the door shelves

Only move or remove the door shelves when they are empty.



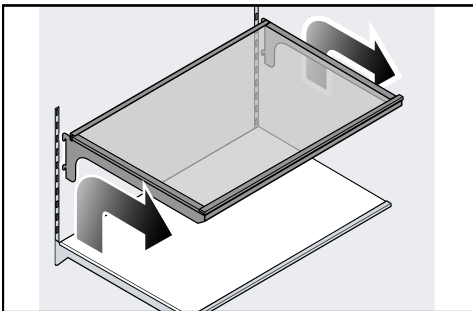
Do not move the bottom door shelf. The door shelf must remain in the lowest position.

- Lift the door shelf on both sides so that it is lifted over the guide with the retainers on the sides.
- Remove the door shelf or place the door shelf in the required position with the retainers in the guide at the same height again.
- Make sure that the door shelf is straight.

**Tip:** The clip-on containers in the door shelves can be removed completely for filling, emptying, or cleaning.

## Removing or moving the shelves

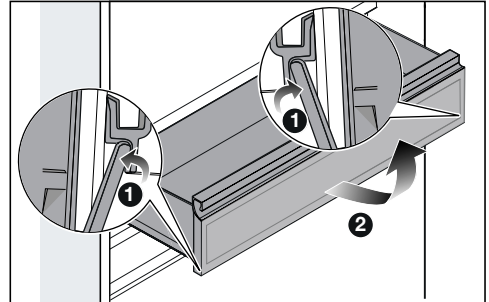
The retainers for the shelves can scratch the rear panel of the fridge zone if they are attached at an angle. Take care to install the shelves horizontally and hook the retainers in fully.



- Raise the shelf slightly so that the shelf is lifted with the retainers over the guide at the back.
- Pull the shelf out to the front.
- Remove the shelf or place the shelf in the required position, with the retainers engaged in the guide.

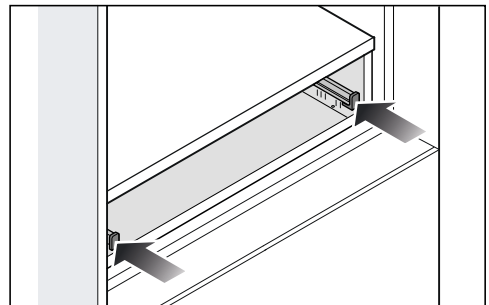
## Removing the MasterFresh drawer

The MasterFresh drawer is on telescopic runners and can be pulled out some distance for filling and emptying. The MasterFresh drawer can be completely removed for cleaning purposes:



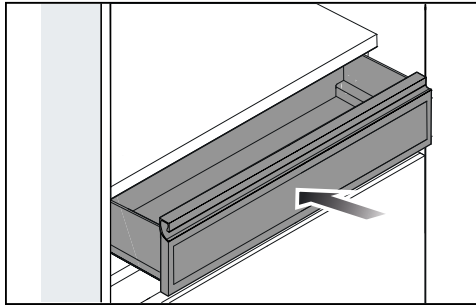
- Pull the MasterFresh Pro drawer out as far as it will go.
- Press the drawer stops out on both sides of the MasterFresh drawer ①.
- Remove the MasterFresh drawer ②.

## Inserting the MasterFresh Pro drawer



- Push both telescopic runners in as far as they will go.

# Overview

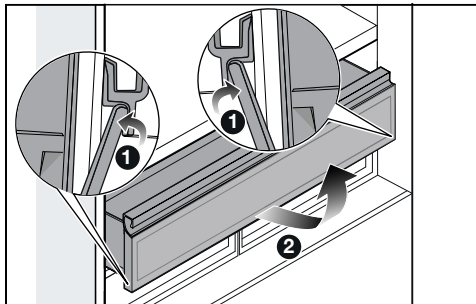


- Place the MasterFresh Pro drawer on the telescopic runners and push in the MasterFresh Pro drawer as far as it will go so that the drawer stops on both sides engage.

## Removing the DailyFresh ExtraCool drawer

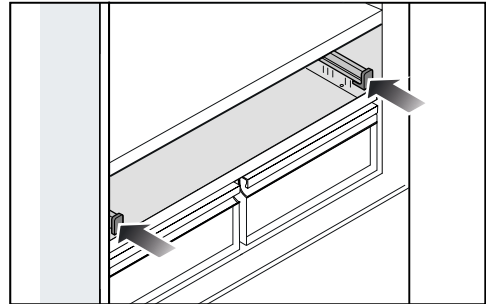
The DailyFresh ExtraCool drawer is on telescopic runners and can be pulled out some distance for filling and emptying.

The DailyFresh ExtraCool drawer can be completely removed for cleaning purposes:

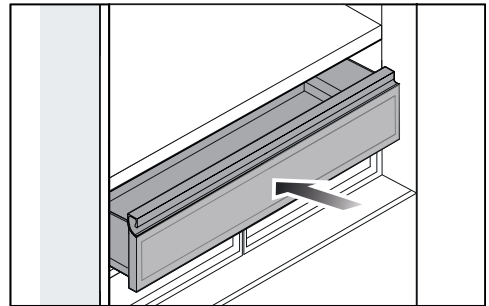


- Pull the DailyFresh ExtraCool drawer out as far as it will go.
- Press the drawer stops out on both sides at the bottom of the DailyFresh ExtraCool drawer ❶.
- Lift up the DailyFresh ExtraCool drawer ❷ to remove it.

## Inserting the DailyFresh ExtraCool drawer

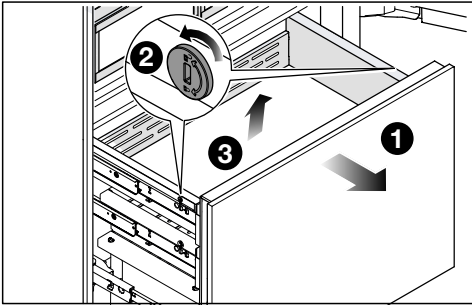


- Push both telescopic runners in as far as they will go.



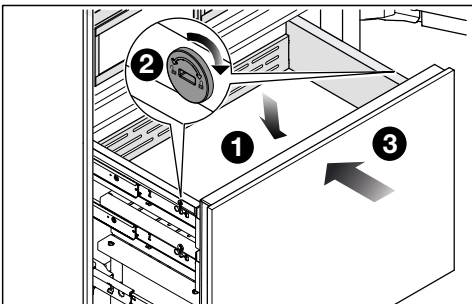
- Place the DailyFresh ExtraCool drawer on the telescopic runners and push in the DailyFresh ExtraCool drawer as far as it will go so that the drawer stops on both sides engage.

## Removing containers from the freezer drawer



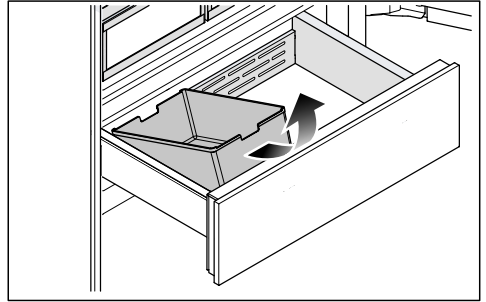
- Pull the freezer drawer out as far as it will go ❶.
- Release the retainers on both sides of the container by turning the slots in the retainers into a horizontal position with a suitable object ❷.
- Pull the container upward to remove it ❸.

## Placing containers in the freezer drawer



- Place the container in the freezer drawer from above ❶.
- Secure the container by turning the slots in the retainers on both sides of the container into a vertical position ❷.
- Push the freezer drawer all the way back in ❸.

## Removing ice cube containers



- Pull the freezer drawer out as far as it will go.
- Tilt the ice cube container forward and pull the ice cube container up and out to remove it.

Caution. Ice cube production does not stop when the ice cube container is removed.

## Accessories supplied

Ice cube scoop

Appliance plug

Charcoal filter  
(Longlife AirClean system)

Water filter  
(IntensiveClear charcoal filter)

# Overview

---

## Optional accessories

Products specially tailored to your refrigeration appliance – such as appliance care products and accessories – are available from the Miele online store, Miele Service, or your Miele dealer.

You can access the Miele online store via the following QR code:



## Before using for the first time


- Remove all packaging material and protective film.
- Remove all advertising materials and labels from the inside of the refrigeration appliance.
- Clean the inside of the appliance and the accessories.

**Tip:** Reactivating the charcoal filters for their first use improves the quality of the charcoal filters (see „Cleaning and care – Reactivating the charcoal filter (Air-Clean system) in the oven“.)

## Connecting the refrigeration appliance

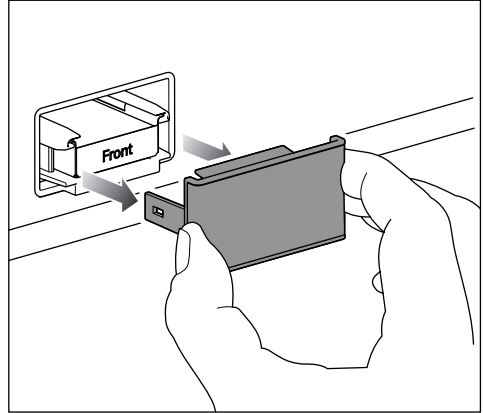
- Connect the refrigeration appliance to the electricity supply as described in “Installation – Electrical connection”.

## Inserting the charcoal filter (AirClean System) into the holders in the fridge zone

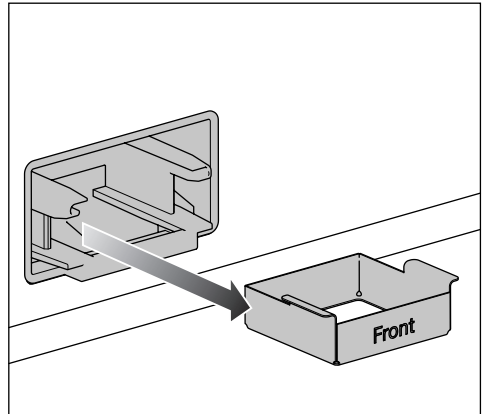
 Risk of mold.

For hygiene reasons, the charcoal filters should not be left in the fridge zone from more than 6 months without being reactivated or replaced. Put the charcoal filter in the fridge zone just before commissioning the refrigeration appliance.

Your refrigeration appliance is supplied with 2 charcoal filters in the fridge zone.

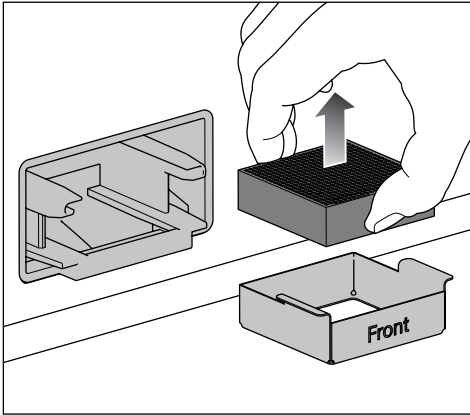


- Remove the cover from each charcoal filter.



- Remove the retainer for the charcoal filter from the holder.

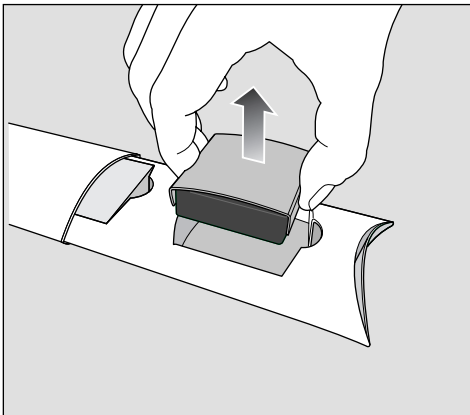
# Commissioning




- To **replace** a charcoal filter, remove the used charcoal filter from the retainer and dispose of the charcoal filter with normal household waste.

Please note: Do not dispose of the retainer for the charcoal filter as the retainer will be reused.

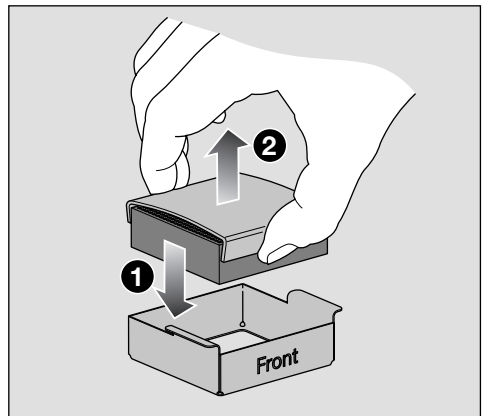
- Clean the retainer for the charcoal filter under running water and then dry it with an all-purpose cloth.



- Take the charcoal filter out of its packaging together with the filter protection.

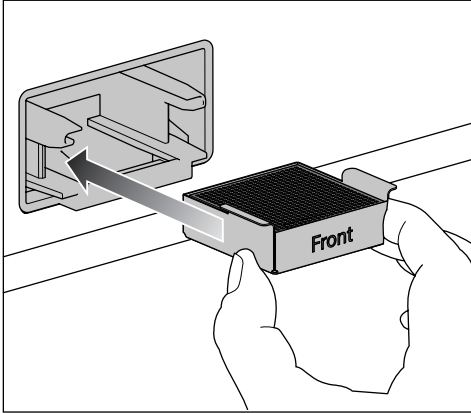
 Risk of damage as a result of incorrect handling.  
The carbon filters are breakable.  
When handling the carbon filters, be careful not to drop them.  
Do not press down on the honeycomb structure of the carbon filters.

Before using the charcoal filter, check it for any visible damage. Never use a damaged charcoal filter.

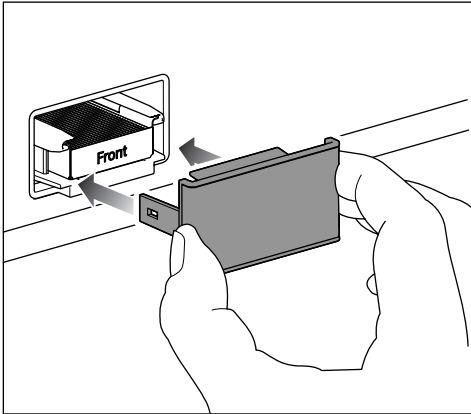


- Insert the new charcoal filter into the retainer **1**.
- Remove the filter protection **2**.
- To improve the quality of the charcoal filters, reactivate them before inserting them into the fridge zone for the first time (see „Cleaning and care – Reactivating the charcoal filter (Air-Clean system) in the oven“).

# Commissioning



- Insert the charcoal filter and retainer into the holder.
- Clean the cover by hand with a damp hand towel, not in the dishwasher.



- Place the cover on the retainer.

The charcoal filters in the *AirClean System* contain active charcoal. Active charcoal can leave significant marks.

- Wash your hands with soap and water after inserting the charcoal filter.

The *AirClean System* is now active.

The charcoal filters must be reactivated approx. every 6 months or replaced after approx. 3 years. A notification on the display will remind you to do so.

**Tip:** Activate the SuperCool&Air-Clean function ❄️ temporarily if you are storing strong-smelling food in the fridge zone. When the SuperCool&Air-Clean function ❄️ is selected, the charcoal filter works even harder to further reduce odors in the fridge zone.

## Requirements for networking

Note the following requirements for networking:

1. A home network is available at the installation site.  
Have the Wi-Fi password ready.
2. The Miele app is available on a mobile device.
3. You have a user account in the Miele app.

You can also carry out networking at a later date. Skip the “Networking” menu option during commissioning.

## Switching on the refrigeration appliance

- Open the upper appliance door.
- Switch on the refrigeration appliance by firmly pressing in the On/Off switch once.
- Close the appliance door and **wait for 3 minutes**.

The refrigeration appliance will power up slowly.


**Keep the appliance door(s) closed during this process.**

# Commissioning

The refrigeration appliance will adjust to the preset temperature.

To enable the temperature to get sufficiently cold inside the refrigeration appliance, allow the appliance to run for a few hours. Do not place food in the refrigeration appliance until it has reached the preset temperature.

Do not place food in the freezer section until it has reached the preset temperature (min. 0°F/-18°C).

 Danger of damage due to unattended operation.

Do not switch the refrigeration appliance on if you are going to be away for a long period of time.

Do not leave the refrigeration appliance unattended for a long period of time while it is switched on.

## Performing Initial set-up

After switching on the refrigeration appliance, *Initial set-up* is completed.

- Follow the instructions on the display.



*Initial set-up* cannot be canceled. *Initial set-up* can be interrupted by switching off the refrigeration appliance. After switching on the refrigeration appliance again, *Initial set-up* must be resumed.

## Switching on the cameras

The cameras in your refrigeration appliance are switched off as standard.

To enable the cameras to take photos of the inside of the fridge zone, your refrigeration appliance must be networked and registered in the Miele app.

The photos can then be viewed in the Miele app.

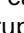

- Switch on the cameras via the display:  ▶  *Settings* ▶ *Appliance function* ▶ *Cameras*.

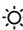
Before the cameras can be switched on via the display, you must first agree to the data privacy statement in the Miele app.

You will be prompted to consent to the data privacy statement before being able to switch on the cameras via the display.



To ensure that the cameras can function correctly, the interior lighting must be set to **maximum** brightness.

When the **automatic** interior lighting is switched on, its intensity might not be sufficient to assure the quality of the camera images taken.

If this is the case, **switch** the automatic interior lighting **off**:  ▶  *Settings* ▶ *Appliance function* ▶ *Interior lighting* ▶ *Automatic*.

Then set the controller manually to **maximum** brightness .

## Switching off cameras

- Switch off the cameras via the display:  ▶  *Settings* ▶ *Appliance function* ▶ *Cameras*.

## Selecting a water filter

Your water system is equipped with an **active charcoal filter** as standard.

- If you wish to use a **mesh filter** in your water system, make the setting on the display:  $\equiv$  ▶  $\otimes$  Settings ▶ *Appliance function* ▶ *Filter management* ▶ *Filter type*.

## Switching off the refrigeration appliance

- Switch the refrigeration appliance off by pressing the On/Off switch.

The cooling and interior lighting are switched off.

Please note: The refrigeration appliance is not disconnected from the power supply when it is switched off.

## To note when switching off for longer periods of time

If, during a long absence, the refrigeration appliance is switched off but not cleaned and the door is left shut, there is a danger of bacteria building up inside the appliance. It is essential to clean the refrigeration appliance.

If the refrigeration appliance is not going to be used for a longer period of time, observe the following:

- Turn the refrigeration appliance off.
- Switch on the *Vacation mode* function if required. The fridge zone remains in operation at a higher temperature while saving energy, while the freezer zone remains switched on.
- Unplug the electrical plug or trip the circuit breaker.
- Empty the ice cube container.



Risk of damage to the ice maker. If the water inlet is interrupted while the ice maker is switched on, the electronic may be damaged. The water inlet pipe may also freeze up. Turn the ice maker off if the water supply is interrupted (e.g., while on vacation).

- Close the ball valve in the water inlet (approximately 3 hours before switching off the refrigeration appliance to avoid the build-up of bacteria caused by stagnant water).
- Replace the water filter (charcoal filter) or clean the water filter (mesh filter).
- Remove the charcoal filters from the fridge zone and reactivate the charcoal filters directly before inserting them into the fridge zone.
- Clean the refrigeration appliance and leave the door open to air the appliance and avoid odors building up inside.

# Operation

## Temperature in the fridge zone

A refrigerator temperature of **39°F (4°C)** is recommended in the fridge zone.

A temperature setting of 39°F (4°C) combined with appropriate hygiene measures delays the growth of bacteria, e.g., salmonella and listeria, which can lead to serious food poisoning.

The temperature in the fridge zone can be set between **33°F (1°C) and 43°F (6°C)**.

### Switching on SuperCool&AirClean ❄️

The SuperCool&AirClean function ❄️ must be switched on **before placing** large amounts of food or drinks in the fridge zone.

- Touch SuperCool&AirClean ❄️ in the temperature display for the fridge zone.

The ❄️ symbol lights up orange.

The temperature in the **fridge zone** drops to **33°F (1°C)**.

### Switching off SuperCool&AirClean ❄️

The SuperCool&AirClean function ❄️ will switch itself off automatically after max. 6 hours.

To save energy, you can switch off the SuperCool&AirClean function ❄️ early yourself once food and drinks are sufficiently chilled.

- Touch SuperCool&AirClean ❄️ in the temperature display for the fridge zone.

The ❄️ symbol no longer lights up orange.

## Temperature in the freezer zone

⚠️ Health risk caused by decomposing food.

To freeze fresh food, a temperature of **0°F (-18°C)** is required. Please note that, if the temperature is any warmer, the food will have a shorter shelf life.

When freezing food and storing it over the long term, set a minimum temperature of **0°F (-18°C)**.

**Tip:** By keeping the freezer zone at a constant temperature of 0°F (-18°C) and taking appropriate hygiene measures, you can maximize the storage life of your food and avoid food waste.

The temperature in the freezer zone can be set between **6°F (-14°C) and -7°F (-22°C)**.

### Switching on SuperFreeze ❄️

The SuperFreeze function ❄️ must be turned on around **4–6 hours before placing** the food in the freezer zone.

You do **not** need to switch on the SuperFreeze function:

- When you place food that is already frozen in the freezer.
- If you are only freezing up to 4.4 lbs (2 kg) of fresh food daily.

- Touch SuperFreeze ❄️ in the temperature display for the freezer zone.

The ❄️ symbol lights up orange.

The temperature in the **freezer zone** drops to **-15°F (-26°C)**.

## Switching off SuperFreeze ❄️

The SuperFreeze function ❄️ turns off automatically after a maximum of 8 hours.

To save energy, you can switch off the SuperFreeze function ❄️ early yourself once food and drinks are sufficiently chilled.

- Touch SuperFreeze ❄️ in the temperature display for the freezer zone.

The ❄️ symbol no longer lights up or orange.

## Temperature display

The temperature display always shows the **required** temperature.

Depending on the ambient temperature and the temperature setting, it can take the appliance a few hours to reach the required temperature.

The temperature in the refrigeration appliance will always **rise**:

- the more often the appliance door is opened and the longer it is kept open
- the more food that is stored in it
- the warmer the food is that is being put into it
- the higher the ambient temperature surrounding the refrigeration appliance is. This refrigeration appliance is designed for use within specific ambient temperatures (climate range). Do not use in ambient temperatures for which it is not designed.

## Switching on the Vacation mode function

- Switch off the *Vacation mode* function under ❄️ on the display.
- Confirm your selection with ✓ OK.

The temperature in the fridge zone increases.

## Switching off the Vacation mode function

- Switch off the *Standard* function under ❄️ on the display.
- Confirm your selection with ✓ OK.

The *Vacation mode* function switches itself off and the refrigeration appliance returns to operation at the currently set temperatures.

## Switching on the Eco mode function

- Switch off the *Eco mode* function under ❄️ on the display.
- Confirm your selection with ✓ OK.

The temperature in the entire refrigeration appliance will rise.






## Switching off the Eco mode function

- Switch off the *Standard* function under ❄️ on the display.
- Confirm your selection with ✓ OK.

The *Eco mode* function switches itself off and the refrigeration appliance returns to operation at the currently set temperatures.

# Operation

## Switching on the Sabbath mode function

- Switch off the *Sabbath mode* function under  on the display.
- Touch  *Context menu* to set the duration of the *Sabbath mode* function if necessary.
- Touch  *Edit*.
- Set the required duration (between 26 and 74 hours) and confirm your setting with  *OK*.
- Confirm your setting again with  *OK*.

The  symbol lights up in the display.

Ensure that the appliance door is properly closed, as visual and audible alarms are switched off.

## Switching off the Sabbath mode function

The *Sabbath mode* function will switch off after the duration you have defined.


The  symbol lights up in the display.

- Touch the display for 4 seconds.


The *Sabbath mode* function switches off and the main menu appears in the display.

## Storing food in the fridge zone


Always follow USDA/CFIA guidelines on food safety.

 Risk of fire from electrical appliances.

Operating electrical devices in the appliance can cause sparks to form. Do not operate any electrical devices inside the appliance.

 Risk of explosion due to flammable mixes of gases.

Electrical components can cause flammable mixes of gases to ignite. Do not store any explosive materials or products containing flammable propellants (e.g., spray cans) in the appliance. The spray cans in question can be identified by the contents printed on the can or by a flame symbol. Electrical components can cause escaping gases to ignite.

 Risk of damage due to greasy or oily foods.

If storing food which contains a lot of fat or oil in the refrigeration appliance or the appliance door, make sure that it does not come into contact with plastic components as this could cause stress cracks or break the plastic.

Make sure that no fat or oil leaks onto the plastic parts of the refrigeration appliance.

If there is insufficient air circulation, the cooling performance will decrease and energy consumption will increase.

To allow air to circulate efficiently, do not pack food too closely together in the appliance.

Do not cover the ventilation slots in the fridge zone.

If food is stored too close to the ventilation slots in the rear wall, the food may freeze.

Store food in such a way that it does not touch the rear wall of the fridge zone.

## Different storage zones

Due to natural air circulation, there are different temperature zones in the refrigerator section.

Cold, heavy air sinks to the lowest section of the refrigeration section. Make use of the different zones when placing food in the appliance.

This is a refrigeration appliance with automatic temperature distribution (DynaCool). The refrigeration appliance switches the fan on automatically when the cooling system for the fridge zone switches on. This means that the cold is distributed evenly in the fridge zone and the difference between the various temperature zones is less pronounced. All stored food is thus cooled to approximately the same temperature.

## Warmest area

The warmest area in the refrigerator section is in the top section of the door. Use this for storing butter so that it remains spreadable and cheese so that it retains its flavor.

## Coldest area

The coldest area in the fridge zone is at the bottom at the back of the appliance. However, the temperature in the MasterFresh Pro drawer is even colder.

Use these areas to store all delicate and highly perishable food, such as:

- fish, meat, poultry
- cold cuts, ready-made meals
- dishes or baked goods containing eggs or cream
- fresh dough, cake mixtures, pizza dough, or pie dough
- raw milk cheese and other raw milk products
- hummus, vegetable spreads, plant-based cream cheese substitutes
- pre-packed vegetables
- other fresh food (with a label stating it should be kept at a temperature of around 39°F (4°C))

## Should food be stored loose or in packaging?

Ensure that food stored in the fridge zone is in packaging or covered properly (some exceptions apply in the MasterFresh Pro drawer).

This will prevent food odors from affecting other food, stop food from drying out, and also prevent any cross-contamination of bacteria. This is particularly important when storing meat products.

# Operation

Make sure that food such as raw meat and fish in particular does not come into contact with other food.

By ensuring that the temperature settings are correct and by taking appropriate hygiene measures, you can prolong the storage life of your food considerably. This prevents food waste.

## Storing food in the MasterFresh Pro drawer


The MasterFresh Pro drawer fulfills the requirements of a cold storage compartment according to DIN EN 62552:2020.

The MasterFresh Pro drawer provides ideal storage conditions for fruit, vegetables, fish, meat, and dairy products. Food stays fresh considerably longer while retaining both flavor and vitamins. In the MasterFresh Pro drawer, the temperature is controlled automatically and is in the range of around **32°F (0°C)**. While lower than the temperature in a standard fridge zone, this is the optimum temperature range for storing fresh food which is not sensitive to cold.

The deterioration process is decelerated at this temperature range so food can be stored without loss of freshness for considerably longer than in a standard fridge and you do not need to shop as often.

In the MasterFresh Pro drawer, the humidity level is regulated to suit the food being stored. Food retains its own moisture if stored at a higher humidity and so does not dry out as quickly.

## Selecting the right setting for the MasterFresh Pro drawer

- Clean the MasterFresh Pro drawer before placing new food in it.
- Select the MasterFresh Pro drawer on the display.
- Select the food that you wish to load into the MasterFresh Pro drawer.
- Alternatively, select the *Favorite* that you have saved with your individual settings (see “Creating a favorite for the individual setting in the MasterFresh Pro drawer”).
- Confirm your selection with  *OK*.

The appropriate humidity (Δ, ΔΔ, or ΔΔΔ) is set automatically based on the selected food.

- Now load your food into the MasterFresh Pro drawer.

**Tip:** For hygiene reasons, **do not** store fruit and vegetables together with meat and fish.

In the *Dairy Products, Meat & Fish* setting, the humidity  $\delta$  is similar to the humidity in the conventional fridge zone.

This compartment is ideal for food that spoils easily as well as home-cooked meals as any microorganisms that may still be present cannot multiply:

- fresh fish and shellfish
- meat, poultry, and sausage
- deli salads
- dairy products, such as milk, yogurt, cheese, cream, etc.
- plant-based products such as tofu, oat drinks, hummus, vegetable spreads, meat and cheese substitutes, etc.



Any type of food can in fact be stored in this compartment, as long as it is packaged.


Please note that foods rich in protein deteriorate faster than others. Shellfish, for example, deteriorates faster than fish, and fish deteriorates faster than meat.

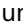
**Tip:** In the *Dairy Products, Meat & Fish* setting, always keep food **covered or wrapped** for hygiene reasons.

## Creating a favorite for the individual setting in the MasterFresh Pro drawer

You can save the individual setting with your preferred temperature and humidity for the MasterFresh Pro drawer as a *Favorite*.

- Select the MasterFresh Pro drawer on the display.
- Swipe left in the display and touch  *Context menu* under *Favorite*.
- Touch  *Edit*.

- Select the required temperature and humidity.
  - Adjustable temperature: 32°F (0°C) to 37°F (3°C)
  - Adjustable humidity:  $\delta$ ,  $\delta\delta$ ,  $\delta\delta\delta$ .
- Confirm your selection with  *OK*.

Your chosen setting will now be saved under  *Favorite*.

## DailyFresh ExtraCool drawer

The DailyFresh ExtraCool drawer is ideal for storing food which goes off quickly, such as:

- fresh fish and shellfish
- meat, poultry, and sausage
- deli salads
- dairy products such as yogurt, cheese, cream, etc.
- You can also store any other type of food in the DailyFresh ExtraCool drawer, as long as it is packaged.

In the DailyFresh ExtraCool drawer, the temperature is **approx. 2°C below** the temperature you have set for the fridge zone. For example, the DailyFresh ExtraCool drawer has a temperature of **approx. 2°C** when a temperature of **4°C** has been set in the fridge zone.

If the ambient temperature is high (above 30°C) and the temperature in the fridge zone is low (below 5°C), minus temperatures may be reached in the DailyFresh ExtraCool drawer.

This can cause food to be damaged or to freeze.

Lower the ambient temperature or increase the temperature in the fridge zone.


# Operation

Please note that foods rich in protein deteriorate faster than others. Shellfish, for example, deteriorates faster than fish, and fish deteriorates faster than meat.

Always keep these foods **covered or wrapped**.

## Freezing and storing fresh food


Always follow USDA/CFIA guidelines on food safety.

 Risk of fire from electrical appliances.

Operating electrical devices in the appliance can cause sparks to form. Do not operate any electrical devices inside the appliance.

## Before placing food in the freezer

Only freeze food that is fresh and in good condition.

- When freezing more than 4.4 lbs (2 kg) of fresh food, switch on the SuperFreeze function  for 4–6 hours before placing the food in the freezer.


This helps frozen food which is already stored in the freezer to stay frozen.

## Placing food in the freezer

Unfrozen food should not touch frozen food as this will cause the frozen food to begin to thaw.

- To prevent food sticking together when frozen, make sure that the packaging and containers are dry.
- Distribute the food to be frozen flat across the bottom of the freezer drawer or in contact with the interior side walls, so that it freezes through to the core as quickly as possible.

## After freezing fresh food

- Switch the SuperFreeze function  off.

## Cooling drinks quickly


- When cooling drinks quickly in the freezer section, make sure bottles are not left in for **more than 1 hour**. Otherwise they could burst.

## Water dispenser

The *Water dispenser* requires a plumbed water connection in order to operate.

All materials used in the water dispenser are odorless and do not affect flavor.

## Dispensing water from the Water dispenser

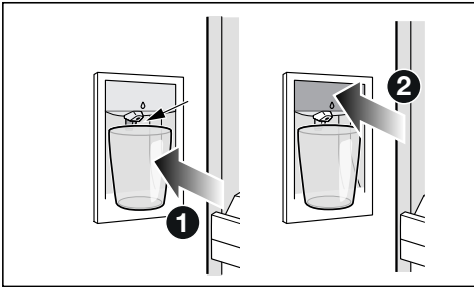
 Risk to health due to contaminated water.

Bacteria can develop in water that has been sitting in the water supply lines for too long. This poses a risk to your health.

Dispose of the first 3 liters of water dispensed from the *Water dispenser* after commissioning, as the water will have been used for the initial rinsing of the water supply line. This applies to the initial commissioning as well as when using the refrigeration appliance again after it has been switched off for a long while (more than 5 days approx.) or when no water is dispensed from the *Water dispenser* for an extended period of time.

After the initial commissioning, there may be air in the water circuit. Dispense water until there are no more air bubbles.

If you do not dispense water from the *Water dispenser* for a longer period of time, the water may be stale. Regularly dispense water in order to achieve the best water quality.

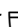



Chilled water will be dispensed from the spout as long as the *Water dispenser* is activated. After approximately 60 seconds, dispensing stops automatically. Wait 5 seconds and activate the *Water dispenser* again if you wish to dispense more water.

After you have activated the *Water dispenser* several times in a row, water stops being dispensed. Water can be dispensed again after a few minutes.

## Setting favorites for the *Water dispenser*

You can set different dispensing quantities for the *Water dispenser* as favorites.


- If you have set favorites for the *Water dispenser* (see “Setting favorites for the *Water dispenser* ”): Touch  on the display and select your favorite with the desired dispensing quantity.
- Hold a solid vessel such as a glass or cup against the contact switch **1** or press the **2** sensor on the *Water dispenser*.

If you have selected a favorite for the dispensing quantity, the water dispenser will stop automatically when it is reached.

- If you have not selected a favorite: Hold the vessel against the contact switch **1** or press and hold the **2** sensor for as long as you wish to dispense water.

- Hold a solid vessel such as a glass or cup against the contact switch **1** or press the **2** sensor on the *Water dispenser*.
- Remove the vessel as soon as the desired dispensing quantity is reached.

As soon as you stop dispensing water from the *Water dispenser*, you will see the quantity of water dispensed on the display.

- Touch  *Save* if you want to set this dispensing quantity as a favorite.
- On the display, select the appropriate vessel and your chosen color for the favorite.


You can set a maximum of 4 favorites for each vessel size by assigning different colors.

Your set favorite appears on the display with your chosen vessel size and color.


# Operation

You can now select your set favorite the next time you wish to dispense water. For each favorite, the chosen quantity is dispensed and dispensing stops automatically.

## Deleting favorites for the Water dispenser


- Touch the symbol for the *Water dispenser*  in the display.

Your set favorites are displayed.

- Select the favorite that you want to delete.
- Touch  *Delete* on the display.


After a favorite is deleted, it is removed from the selection of favorites.

## Locking the Water dispenser

- Touch the symbol for the *Water dispenser*  in the display.
- Press and hold the *Lock* sensor for 4 seconds.


The *Water dispenser* is now locked and out of use.

## Unlocking the Water dispenser

- Touch the symbol for the *Water dispenser*  in the display.
- Press and hold the *Unlock* sensor for 4 seconds.


The *Water dispenser* is now unlocked and ready to use.

## Ice maker

 Risk of injury due to incorrect operation.

Rotating parts in the ice maker may cause injuries.

Never reach under or into the ice maker.


 Risk of damage due to blocking of the ice maker.

The ice maker can become blocked and sustain damage as a result.

Do not place food or any other items in the ice cube container.

Empty the ice cube container at regular intervals, or at least if you have not produced any ice for more than a week. This will ensure that you always have fresh ice and the ice cubes will not form a clump.

## Turning on the ice maker

 Risk to health due to contaminated water.


Bacteria can develop in water that has been sitting in the water supply lines for too long. This poses a risk to your health.

Dispose of ice cubes made during the first 24 hours after the IceMaker is started up, as the water will have been used for the initial rinsing of the water supply line.

This applies to the initial commissioning as well as when using the ice maker again after it has been switched off for an extended period of time (more than around 5 days) or when no ice cubes have been produced for an extended period of time.

- Make sure that the water inlet is secured to the plumbed water connection.
- Close the top freezer drawer with the ice cube container.

Ice cube production does not stop when the ice cube container has been removed. Ice cubes can drop into the freezer drawer underneath. Only remove the ice cube container **for the shortest possible time** or switch off the ice maker before removing it.

- Select *IceMaker* on the display.
- Select *Ice cubes*.
- Select the *QuickIce* function if you wish to speed up ice cube production.
- Confirm your selection with  *OK*.

Once the set temperature has been reached in the freezer zone, it might take up to 4 hours until the first ice cubes are produced.

It can take up to 48 hours for the ice cube container to fill up.

The ice-cube maker can make up to approx. 4.9 lb (2.2 kg) of ice cubes in 24 hours.


The amount of ice cubes made by the appliance depends on the temperature in the freezer zone. **The lower the temperature, the more ice cubes are produced in a certain period of time.**

Only make normal domestic quantities of ice cubes with the ice maker.

Ice cube production is halted automatically as soon as the ice cube container is full.

## Turning off the ice maker

The ice maker can be turned off independently of the freezer zone if you do not want to make any ice cubes.

- Close the ball valve in the water supply line (approximately 3 hours before switching off the refrigeration appliance to avoid the build-up of bacteria caused by stagnant water).
- Select *IceMaker* on the display.
- Switch off the settings for the ice cubes.
- Confirm your selection with  *OK*.



**Tip:** Empty the ice cube container at regular intervals, or at least if you have not produced any ice for more than a week. This will ensure that you always have fresh ice and the ice cubes will not form a clump.

**Tip:** If you do not wish to produce ice cubes for a longer period, you should switch off the ice maker completely.

# Customizing settings

---

## Opening the Settings menu

- Select  *Menu*.
- Select  Settings.

## Settings: Overview

### General ▶

#### Language & Region ▶

Language  ▶

Units▶

Celsius

Fahrenheit

#### Date & Time ▶

Clock format ▶

12 hours

24 hours

Set time of day ▶

Set the date ▶

#### Display brightness ▶

Automatic

#### Sounds ▶

Keypad tones

Buzzer tones

#### Security ▶

Sensor lock

Demo mode

#### Factory default settings ▶

Delete settings ▶

Networking

Notifications

Reset appliance

### Networking ▶

#### Wi-Fi

##### Connection ▶

Wi-Fi

Home network

Signal strength

IP address

Miele Cloud Service

Reset

### Appliance function ▶

#### Cameras

#### Interior lighting ▶

Automatic

Brightness ▶

Dark

Medium

Bright

#### Filter management ▶

Water filter ▶

Filter type ▶

Active charcoal filter

Mesh filter

AirClean System ▶

#### Automatic SuperFrost

## Information ▶

### Data plate ▶

Mod

SN

### Software ▶

Appliance version

Software version

User Interface

### Legal Information ▶

#### Open source licenses ▶

External

Miele ▶

Written offer

Camera

Privacy policy

Miele@home

## Service ▶

### Service Access Point

#### Extended view

## General

You can find this under ≡ ▶ ⚙ *Settings* ▶ *General*.

### Display brightness

You can find this under ≡ ▶ ⚙ *Settings* ▶ *General* ▶ *Display brightness*.

You can switch off the automatic Display brightness completely and adjust it manually to the lighting conditions in the room.

### Sounds

You can find this under ≡ ▶ ⚙ *Settings* ▶ *General* ▶ *Sounds*.

Alternatively, you can switch the *Keypad tones* and the *Buzzer tones* (e.g., the alarm when the appliance door is open) off if you find them annoying.

## Security

### Sensor lock

You can find this under ≡ ▶ ⚙ *Settings* ▶ *General* ▶ *Security* ▶ *Sensor lock*.

You can use the *Sensor lock* to protect the refrigeration appliance from being adjusted unintentionally via the display.

- Switch the *Sensor lock* on or off via the pull-down menu or in the ⚙ *Settings*.

- Close the upper appliance door.

Opening the appliance door again locks the display.

- To unlock the display temporarily, touch it for approx. 4 seconds.

## Networking

You can find this under ≡ ▶ ⚙ *Settings* ▶ *Networking*.

Networking allows you to operate your appliance using the Miele app or external voice assistant, as well as to update the software.

### Wi-Fi

You can find this under ≡ ▶ ⚙ *Settings* ▶ *Networking*.

You can only connect to your home network if the *Wi-Fi* setting is activated.

### Connection

You can find this under ≡ ▶ ⚙ *Settings* ▶ *Networking* ▶ *Connection*.

You can view information about your home network.

# Customizing settings

---

## - *Home network*

You can view the quality of the connection to your home network.

## - *Signal strength*

The signal strength of the Wi-Fi signal received is displayed.

## - *IP address*

The IP address is displayed.

## - *Reset*

If you reset the network data, you will no longer be able to operate your appliance via the Miele app or update the software. You will need to reconnect to your home network.

## Appliance function

You can find this under ≡ ▶ ⚙ *Settings* ▶ *Appliance function*.

Here you can make various settings for your refrigeration appliance.

## Cameras

You can find this under ≡ ▶ ⚙ *Settings* ▶ *Appliance function* ▶ *Cameras*.

You can switch the cameras on and off here.

## Interior lighting

You can find this under ≡ ▶ ⚙ *Settings* ▶ *Appliance function* ▶ *Interior lighting*.

You can switch off the automatic Interior lighting completely and adjust it manually to the lighting conditions in the room.

## Filter management

You can find this under ≡ ▶ ⚙ *Settings* ▶ *Appliance function* ▶ *Filter management*.

In *Filter management*, you can access the following information about your filters:

### - *Water filter*

Here you can view the current usage status of your water filter and reset the water filter after it has been changed or cleaned.

### - *Filter type*

Here you can select which water filter (*Active charcoal filter* or *Mesh filter*) is installed in your refrigeration appliance.

### - *AirClean System*

Here you can view the current usage status of your charcoal filter and reset the charcoal filter after it has been changed or reactivated.

## Automatic SuperFrost

You can find this under ≡ ▶ ⚙ *Settings* ▶ *Appliance function* ▶ *Automatic SuperFrost*.

The **Automatic SuperFrost** function is activated by default and can be deactivated at any time.

## Information

You can find this under ≡ ▶ ⚙ *Settings* ▶ *Information*.

## Data plate

You can find this under ≡ ▶ ⚙ *Settings* ▶ *Information* ▶ *Data plate*.

Here you can find information from your data plate.

## Software

You can find this under ≡ ▶ ⚙ *Settings* ▶ *Information* ▶ *Software*.

Here you can find information about the software installed.

## Legal Information

You can find this under ≡ ▶ ⚙ *Settings* ▶ *Information* ▶ *Legal Information*.

For example, you can request the data privacy statement for the cameras or query which integrated open source components are used in the software.


## Service

You can find this under ≡ ▶ ⚙ *Settings* ▶ *Service*.

- *Service Access Point*  
Miele Service can access the software remotely for servicing.
- *Extended view*  
For Miele service only; **not** for private use.

## Cleaning and care

---

 **WARNING! DANGER** of electric shock!


Unplug the appliance or trip the circuit breaker.

 **WARNING! Fire hazard!**

Do not damage the coolant pipework.

The data plate located inside the interior cabinet of the refrigeration appliance must not be removed. It contains information which is required in the event of a service call.

Do not let water get into the electronic or the lighting.

 Risk of damage due to moisture penetration.

The steam from a steam cleaner can damage plastic and electrical components.

Do not use a steam cleaner to clean the refrigeration appliance.

### Cleaning agents

Cleaning and care products used in the interior cabinet of the refrigeration appliance must be food safe.

To avoid damaging the surfaces of your appliance, **do not** use the following:

- cleaning agents containing soda, ammonia, acids, or chloride
- cleaning agents containing limescale remover
- abrasive cleaning agents, such as scouring powder, scouring liquid, or pumice stones
- cleaning agents containing solvents
- stainless steel cleaners

- dishwasher cleaning agents
- oven sprays
- glass cleaners
- hard, abrasive sponges and brushes, such as pot scrubbers
- eraser sponges
- sharp metal scrapers

We recommend using a clean sponge, lukewarm water with a little liquid dish soap to clean the surfaces of the appliance.

### Preparing the refrigeration appliance for cleaning

- Switch the refrigeration appliance off.
- Unplug the appliance or trip the circuit breaker.
- Take any food out of the refrigeration appliance and store it in a cool place.
- If necessary, take out all removable parts for cleaning (see “Familiarization – Setting up the interior”).

## Cleaning the interior of the appliance

Clean the appliance regularly, or at least once a month.

If soiling is left on for any length of time, it may become impossible to remove under certain circumstances. Surfaces may become discolored or damaged.

It is therefore best to remove any soiling immediately.

- Clean the **interior** with a clean sponge, lukewarm water, and a little liquid dish soap.
- Treat the stainless steel surfaces inside the appliance with a suitable stainless steel care product.
- Always wipe in the direction of the structure of the stainless steel surface. This will avoid unwanted scratches.

Use a suitable stainless steel care product for the stainless steel surfaces inside the appliance. We recommend the Miele ceramic and stainless steel cleaner.

- Rinse all parts by hand. Do not wash in a dishwasher.
- Clean the ice cube container regularly.
- Clean the ice cube container before switching off the ice maker for an extended period of time.
- Regularly remove ice and water residues from the ice cube container.

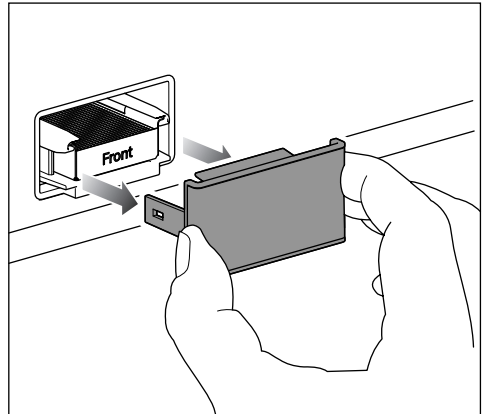
- After cleaning, wipe with clean water and dry with an all-purpose cloth.
- Leave the door open to air the refrigeration appliance sufficiently for a short while and to prevent odor build-up.

## Cleaning the camera

The camera lenses may become misty due to the increased humidity in the refrigeration appliance.

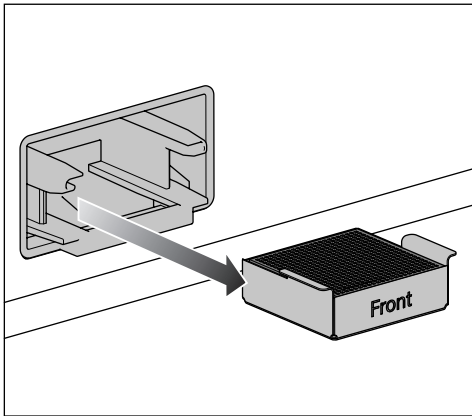
- Clean the camera lenses using a microfiber cloth and a waterproof cleaning agent.
- Clean the camera housings with a microfiber cloth.

## Reactivating the charcoal filter (AirClean system) in the oven



- Remove the cover from each charcoal filter.


## Cleaning and care



- Pull the used charcoal filters and their retainer out of the holder.


If your oven has a removable grease filter in the rear panel of the oven compartment, remove it temporarily.

See the operating instructions supplied with the oven for information on how to do this.

- Do not pre-heat the oven compartment.
- Place the charcoal filters **in the retainer** on a baking tray in the middle of the oven compartment.
- Switch on the oven or oven function. Select the operating mode Convection Bake  (recirculation), 400°F (200°C).

During the reactivation process, odors may be given off. Reactivation must take place in a well-ventilated room.

- Reactivation duration: 90 minutes. After this, switch off the oven or oven function.

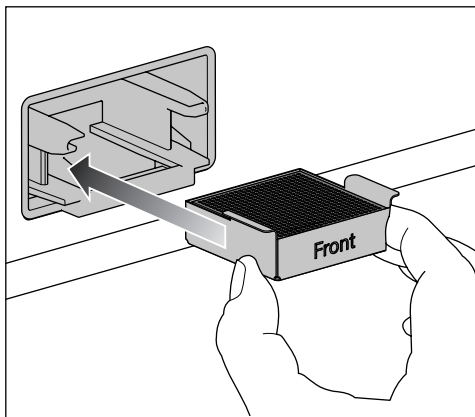
 Risk of damage due to hot charcoal filter.

Heat-sensitive surfaces can be damaged.

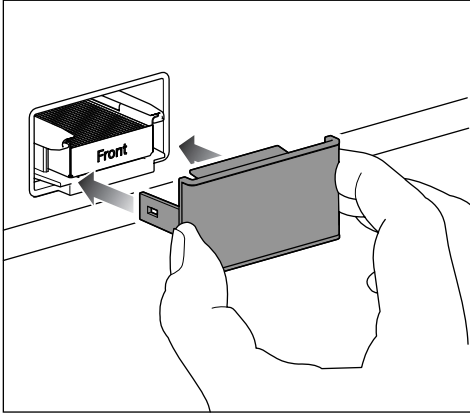
Do not take the hot charcoal filter in the retainer out of the oven prematurely and do not place it on heat-sensitive surfaces while it is hot.

- Wait until the charcoal filters have cooled down fully before removing the charcoal filters and retainer from the oven compartment.

Before using the charcoal filter again, check it for any visible damage. Never use a damaged charcoal filter.



- Insert each of the reactivated charcoal filters and retainer into the holder.
- Clean the cover by hand with a damp hand towel, not in the dishwasher.



- Place the cover on the retainer.

The charcoal filters in the AirClean system contain active charcoal. Active charcoal can leave significant marks.

- Wash your hands with soap and water after inserting the charcoal filter.

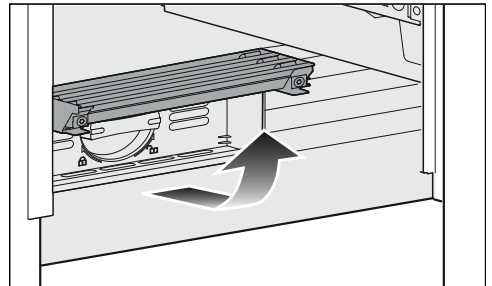
Once the charcoal filters have been re-activated in the oven or the charcoal filters have been replaced, the filter display needs to be reset. A notification on the display will remind you to do so.

### Cleaning the water filter (mesh filter, spare part)

(You can buy the mesh filter as a spare part from Miele Service, your Miele dealer, or via the Internet; it is not supplied with the refrigeration appliance.)

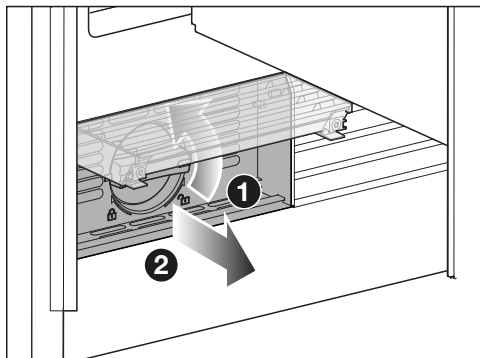
Depending on the quantity of water dispensed or ice cubes produced, the mesh filter must be cleaned approx. every 36 months. A notification on the display will remind you to do so.

If you have not used the refrigeration appliance, the water dispenser, or the ice maker much in the last few weeks or months, or if the ice cubes smell unpleasant, clean the mesh filter early.

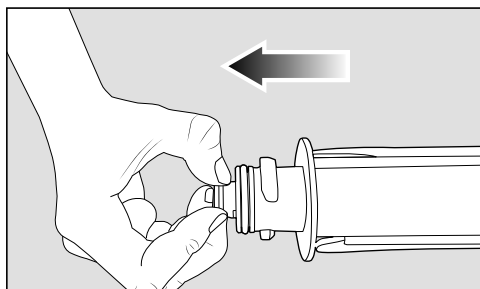


- Fold up the cover at the bottom of the refrigeration appliance.

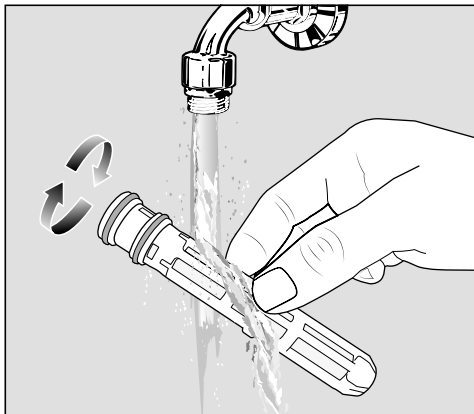
## Cleaning and care



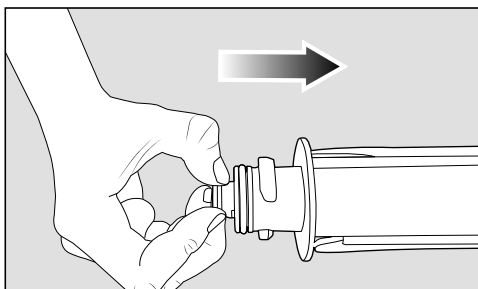
- Turn the filter cartridge 90° counter-clockwise until it is in the vertical position ① and slide it out ②.



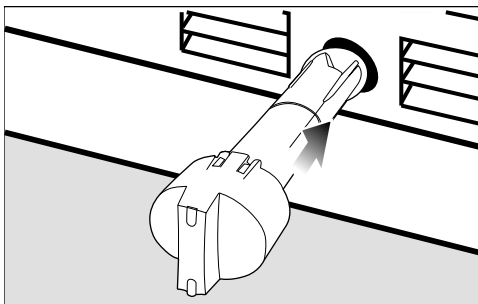
- Pull the mesh filter out of the filter cartridge.



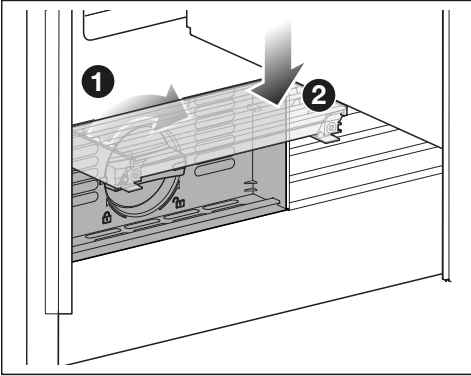
- Rinse the mesh filter under running lukewarm water. Turn the mesh filter over under the running water to clean it on all sides.



- Reinsert the mesh filter into the filter cartridge.



- Slide the filter cartridge into the filter opening, making sure the cap is vertical.



- Turn the filter cartridge clockwise 90° as far as it will go until it is in the horizontal position ❶.
- Fold the cover back down ❷.

⚠ Risk of damage caused by water running out.

If the filter cartridge is not inserted correctly, there is a risk of water leaking out of the refrigeration appliance. When inserting the filter cartridge, be sure to turn it as far as the marker.

Once the IntensiveClear mesh filter has been cleaned, the filter display must be reset. A notification on the display will remind you to do so.

## Cleaning the door seal

⚠ Risk of damage as a result of incorrect cleaning.

If you treat the door seal with oils or grease, it can become porous. Do not use any oils or grease on the door seal.

- The door seals should be cleaned regularly with clean water, and then wiped dry with a soft cloth.

## Cleaning the ventilation openings

- The ventilation openings should be cleaned on a regular basis with a feather duster or vacuum cleaner (you could use a Miele vacuum cleaner dusting brush, for example).

## After cleaning

- Connect the refrigeration appliance.
- Place all shelves and accessories back in the refrigeration appliance.
- Switch the refrigeration appliance back on.
- Switch the SuperFreeze function ❄ on for a while so that the freezer zone can cool down quickly.
- Switch on the SuperCool&Air-Clean function ❄<sup>u</sup> for a while so that the fridge zone can cool down quickly.
- Put food back into the refrigeration appliance as soon as the temperatures inside the fridge and freezer zones reach the required coldness.
- Switch off the SuperFreeze function ❄ as soon as the temperature in the freezer zone is a constant 0°F (-18°C) or colder.
- Close the appliance doors.

## Defrosting

### Fridge zone and MasterFresh Pro drawer

The fridge zone and the MasterFresh Pro drawer defrost automatically.

### Freezer zone

The refrigeration appliance is equipped with a NoFrost system that defrosts the freezer zone automatically.

## Frequently asked questions

---

Many malfunctions and faults can be easily remedied. You can save time and money in many cases, as you do not need to contact Miele Service.

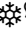



More information to help you rectify faults yourself can be found at <https://www.mieleusa.com/support/customer-assistance>.



To prevent cold from escaping, open the appliance doors as little as possible until the fault has been corrected.



Problem	Possible cause and solution
<b>The refrigeration appliance is not cooling.</b>	The refrigeration appliance has not been turned on. ■ Turn the refrigeration appliance on.
	The electrical plug is not inserted in the socket correctly or the plug connector is not inserted into the socket at the back of the machine correctly. ■ Insert the electrical plug into the socket and the plug connector into the machine socket.
	The circuit breaker has tripped. There could be a fault with the refrigeration appliance, the household electrical wiring, or another appliance. ■ Contact a qualified electrician or Miele Service.

## Frequently asked questions




Problem	Possible cause and solution
<p><b>The temperature in the refrigeration appliance is too low.</b></p>	<p>The temperature setting in the refrigeration appliance is too low.</p> <ul style="list-style-type: none"> <li>■ Correct the temperature setting.</li> </ul>
	<p>The SuperCool&amp;AirClean function  is still switched on.</p> <ul style="list-style-type: none"> <li>■ To save energy, you can turn SuperCool&amp;Air-Clean  off early yourself.</li> </ul>
	<p>The SuperFreeze function  is still switched on.</p> <ul style="list-style-type: none"> <li>■ To save energy, you can turn SuperFreeze  off early yourself.</li> </ul>
	<p>The <i>QuickIce</i> function is still switched on.</p> <ul style="list-style-type: none"> <li>■ To save energy, you can turn <i>QuickIce</i> off early yourself.</li> </ul>
	<p>The <i>Automatic SuperFrost</i> function is still switched on.</p> <ul style="list-style-type: none"> <li>■ The appliance is supplied with the <i>Automatic SuperFrost</i> function switched on as standard. Switch off the <i>Automatic SuperFrost</i> function.</li> </ul>
<p><b>The temperature in the refrigeration appliance is too high. The frozen food (depending on the model) could defrost.</b></p>	<p>This is not a fault. The temperature setting is too high.</p> <ul style="list-style-type: none"> <li>■ Correct the temperature setting.</li> <li>■ Check the temperature again after 24 hours.</li> </ul>
	<p>The ambient temperature is too low for this refrigeration appliance. If the ambient temperature is too low, the compressor will run less frequently. The temperature in the refrigeration appliance rises.</p> <ul style="list-style-type: none"> <li>■ See the information in “Installation – Installation site”.</li> <li>■ Increase the ambient temperature.</li> </ul>
<p><b>The temperature in the refrigeration appliance differs greatly from the set temperature.</b></p>	<p>This can be caused by many factors.</p> <ul style="list-style-type: none"> <li>■ Turn the refrigeration appliance off.</li> <li>■ Switch the refrigeration appliance back on after approx. 5 minutes.</li> </ul> <p>If the temperature is too high, check it again after a few hours.</p> <p>If the temperature is too low, check it again the next day.</p>

# Frequently asked questions

## Other problems

Problem	Possible cause and solution
<b>Food has frozen together or to the wall.</b>	<p>The food packaging was not dry when loaded in the freezer.</p> <ul style="list-style-type: none"> <li>■ Use a blunt instrument (such as a spoon handle) to carefully pry them apart.</li> </ul>
<b>No alarm sounds despite the appliance door being open.</b>	<p>You have switched off the audible door alarm.</p> <ul style="list-style-type: none"> <li>■ Switch the <i>Buzzer tones</i> back on: ≡ ▶ ⚙️ <i>Settings</i> ▶ <i>General</i> ▶ <i>Sounds</i> ▶ <i>Buzzer tones</i>.</li> </ul>
	<p>The <i>Sabbath mode</i> function is switched on. The  symbol lights up in the display.</p> <ul style="list-style-type: none"> <li>■ Touch the display for 4 seconds.</li> </ul> <p>The <i>Sabbath mode</i> function switches off and the main menu appears in the display.</p>
<b>The temperature in the freezer zone cannot be adjusted.</b>	<p>The <i>QuickIce</i> function is switched on.</p> <ul style="list-style-type: none"> <li>■ Select <i>IceMaker</i> on the display.</li> <li>■ Switch off the <i>QuickIce</i> function.</li> </ul>
<b>The camera images are blurred or poor quality.</b>	<p>The upper appliance door was closed too quickly.</p> <ul style="list-style-type: none"> <li>■ Close the appliance door slowly so that the camera can take high-quality photos.</li> </ul>
	<p>The camera lenses are misty. This happens if the temperature and humidity in the fridge zone change.</p> <ul style="list-style-type: none"> <li>■ Do not leave the appliance door open for longer than necessary.</li> <li>■ Clean the camera lenses (see “Cleaning and care”).</li> </ul>
	<p>The anti-fogging film is damaged.</p> <ul style="list-style-type: none"> <li>■ Contact Miele Service.</li> </ul>
	<p>The interior lighting in the fridge zone is too dark.</p> <ul style="list-style-type: none"> <li>■ Switch off the <b>automatic</b> interior lighting: ≡ ▶ ⚙️ <i>Settings</i> ▶ <i>Appliance function</i> ▶ <i>Interior lighting</i> ▶ <i>Automatic</i></li> <li>■ Then set the interior lighting to the <b>maximum</b> brightness  manually via the controller.</li> </ul>
	<p>The interior lighting in the fridge zone is covered, e.g., by food.</p> <ul style="list-style-type: none"> <li>■ Make sure that the interior lighting in the fridge zone is not blocked by food.</li> </ul>
<p>The camera is covered, e.g., by food.</p>	


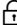
## Frequently asked questions

Problem	Possible cause and solution
	<ul style="list-style-type: none"> <li>■ Make sure that the camera in the fridge zone is not blocked by food. The food must also not extend beyond the edge of the shelves.</li> </ul> <p>The camera(s) in the appliance door(s) need to be put back into operation.</p> <ul style="list-style-type: none"> <li>■ Switch the refrigeration appliance off by pressing the On/Off switch.</li> <li>■ Unplug the appliance or trip the circuit breaker.</li> <li>■ Wait 5 minutes and reconnect the refrigeration appliance to the power supply.</li> <li>■ Turn the refrigeration appliance on.</li> <li>■ Close the appliance door(s) and wait for 3 minutes.</li> </ul> <p>The refrigeration appliance will power up slowly.</p> <ul style="list-style-type: none"> <li>■ Keep the appliance door(s) closed during the process.</li> </ul> <p>The cameras can now be used again.</p>
<p><b>The camera does not take any photos and no photos are displayed.</b></p>	<p>Sabbath mode is switched on.</p> <ul style="list-style-type: none"> <li>■ Switch off Sabbath mode on the display under .</li> </ul> <p>The cameras are not switched on.</p> <ul style="list-style-type: none"> <li>■ Switch on the cameras via the display:  ▶  <i>Settings</i> ▶ <i>Appliance function</i> ▶ <i>Cameras</i>.</li> </ul> <p>The refrigeration appliance is not networked or there is a poor Wi-Fi connection.</p> <ul style="list-style-type: none"> <li>■ Network the refrigeration appliance or check the Wi-Fi connection.</li> </ul> <p>The camera is only taking photos of the food in the MasterFresh Pro drawer if the drawer has first been opened as far as it will go.</p> <ul style="list-style-type: none"> <li>■ Always open the MasterFresh Pro drawer as far as it will go whenever you are placing food in it or taking food out of it.</li> </ul> <p>The camera is only taking photos of the fridge zone if the appliance door has first been opened as far as it will go.</p>

## Frequently asked questions




Problem	Possible cause and solution
	<ul style="list-style-type: none"> <li>■ Always open the appliance door as far as it will go whenever you are placing food in the fridge zone or taking food out of it.</li> </ul> <p>The camera in the appliance door needs to be put back into operation.</p> <ul style="list-style-type: none"> <li>■ Switch the refrigeration appliance off by pressing the On/Off switch.</li> <li>■ Unplug the electrical plug or trip the circuit breaker.</li> <li>■ Wait 5 minutes and reconnect the refrigeration appliance to the power supply.</li> <li>■ Turn the refrigeration appliance on.</li> <li>■ Close the appliance door and wait for 3 minutes.</li> </ul> <p>The refrigeration appliance will power up slowly.</p> <ul style="list-style-type: none"> <li>■ Keep the appliance doors closed during the process.</li> </ul> <p>The cameras can now be used again.</p>
<p><b>The cameras make clicking noises.</b></p>	<p>This is not a fault. The cameras are coming out of Standby mode.</p>
<p><b>Only a small amount of ice cubes are being produced or the ice maker is not working.</b></p>	<p>This can be caused by many factors.</p> <ul style="list-style-type: none"> <li>■ Switch the refrigeration appliance off by pressing the On/Off switch.</li> <li>■ Unplug the electrical plug or trip the circuit breaker.</li> <li>■ Wait 5 minutes and reconnect the refrigeration appliance to the power supply.</li> <li>■ Turn the refrigeration appliance on.</li> <li>■ If the fault persists, contact Miele Service.</li> </ul>
<p><b>The charcoal filter is coming into contact with liquid.</b></p>	<p>The charcoal filter is coming into contact with liquid when food is being placed into or moved around inside the fridge zone.</p> <ul style="list-style-type: none"> <li>■ Remove the charcoal filter from the fridge zone and dispose of it with normal household waste.</li> <li>■ Dispose of unsealed food that has been stored underneath the charcoal filter.</li> <li>■ Clean the cover of the charcoal filter, the filter retainer, and its holder in the fridge zone with a clean sponge cloth and lukewarm water.</li> <li>■ If necessary, clean the surface underneath the charcoal filter.</li> <li>■ Replace the charcoal filter with a new one.</li> </ul>

### Messages in the display

Message	Possible cause and solution
<p>The <i>Demo mode active</i> message appears on the display; the refrigeration appliance does not get cold even though the controls and the interior lighting are working.</p>	<p>The <i>Demo mode</i> has been switched on.</p> <ul style="list-style-type: none"> <li>■ Close and open the appliance door.</li> </ul> <p><i>Demo mode</i> is shown on the display.</p> <ul style="list-style-type: none"> <li>■ Select Operation.</li> <li>■ Switch off <i>Demo mode</i> in the <i>Settings</i> ⚙️: ≡ ▶ ⚙️ <i>Settings</i> ▶ <i>General</i> ▶ <i>Security</i> ▶ <i>Demo mode</i>.</li> </ul> <p>After <i>Demo mode</i> has been switched off, the refrigeration appliance shuts down and must be switched on again.</p>
<p>The  symbol lights up in the display and the message <i>Sabbath mode active</i> is displayed.</p>	<p>The <i>Sabbath mode</i> function is switched on. The interior lighting is switched off and the refrigeration appliance is cooling down.</p> <ul style="list-style-type: none"> <li>■ Touch the display for 4 seconds.</li> </ul> <p>The <i>Sabbath mode</i> function switches off and the main menu appears in the display.</p>
<p>The  symbol lights up in the display and the message <i>Unlock operation</i> is displayed. The refrigeration appliance cannot be operated.</p>	<p>The <i>Sensor lock</i> is switched on. The <i>Sensor lock</i> disables operation of the appliance every time the door is closed.</p> <ul style="list-style-type: none"> <li>■ To switch off the <i>Sensor lock</i> temporarily, touch the display for approx. 4 seconds.</li> <li>■ You can also switch off the <i>Sensor lock</i> completely via the pull-down menu or in the ⚙️ <i>Settings</i>: ≡ ▶ ⚙️ <i>Settings</i> ▶ <i>General</i> ▶ <i>Security</i> ▶ <i>Sensor lock</i>.</li> </ul>

# Frequently asked questions

## Interior lighting

Problem	Possible cause and solution
<p><b>The interior lighting is not working or is too dark.</b></p>	<p>The refrigeration appliance has not been turned on.  <b>■ Turn the refrigeration appliance on.</b></p>
	<p>The <i>Sabbath mode</i> function is switched on:  lights up in the display.  <b>■ Touch the display for approx. 4 seconds.</b>            The <i>Sabbath mode</i> function switches off and the main menu appears in the display.</p>
	<p>The interior lighting is set to <i>Automatic</i> or <i>Brightness ▶ Dark</i>.  <b>■ Adjust the settings for the interior lighting in the display:  ▶  Settings ▶ Appliance function ▶ Interior lighting.</b></p>



Risk of electric shock due to exposed, live electrical components.

When removing the lighting cover, there is a risk of coming into contact with live electrical components.

Do not remove the lighting cover. The LED lighting may only be repaired or replaced by Customer Service.



Risk of injury from LED lighting.

This lighting corresponds to risk group RG 2. If the cover is defective, there is a risk of eye injury.

If the lighting cover is defective, do not look from a close range directly into the lighting with optical instruments (e.g., magnifying glass or similar).

Information to help you rectify faults yourself and about Miele spare parts can be found at [www.miele.com/service](http://www.miele.com/service).

### **Contact in the event of a fault**

In the event of a fault which you cannot remedy yourself, please contact your Miele dealer or Miele Customer Service.

You can book a Miele Service Call online at [www.miele.com/service](http://www.miele.com/service).

Contact information for Miele Customer Service can be found at the end of this document.

Please quote the model identifier and serial number of your appliance (SN) when contacting Miele Customer Service. Both pieces of information can be found on the data plate.

You will find the data plate inside your appliance.

### **Appliance warranty and product registration**

You can register your product and/or view the manufacturer's warranty terms and conditions for Miele appliances and vacuum cleaners at [www.mieleusa.com](http://www.mieleusa.com).

# Information

---

## Declaration of conformity

Frequency range	2.412 GHz – 2.462 GHz
Maximum transmitting power	< 100 mW





Please have the model and serial number  
of your appliance available when  
contacting Customer Service.

---

## **U.S.A.**

**Miele, Inc.**

### **National Headquarters**

9 Independence Way  
Princeton, NJ 08540  
[www.mieleusa.com](http://www.mieleusa.com)

### **Customer Support**

Phone: 888-99-MIELE (64353)  
[info@mieleusa.com](mailto:info@mieleusa.com)

### **International Headquarters**

Miele & Cie. KG  
Carl-Miele-Straße 29  
33332 Gütersloh  
Germany

## **Canada**

**Importer**  
**Miele Limited**

### **Headquarters and Miele Centre**

161 Four Valley Drive  
Vaughan, ON L4K 4V8  
[www.miele.ca](http://www.miele.ca)

### **Customer Care Centre**

Phone: 1-800-565-6435  
905-532-2272  
[contact@miele-support.ca](mailto:contact@miele-support.ca)

KFMC 3836 ...

en-US, CA

M.-Nr. 12 616 180 / 04 / 002