

HR 1432-3 I

36" Range

Fully electric model with induction cooktop and DirectSelect controls



- Turn dial operation with display – DirectSelect
- State-of-the-art technology for the cooktop – 5 induction cooking zones
- Fast heating time and even heat distribution – TwinPower
- Minimal cleaning effort – Self-cleaning
- Easy opening & closing – noise and vibration absorbers

EAN: 4002516842903 / Material number: 12535250 /
Old Material Number: 25143281USA

Heating type	
Electric/Induction	•
Cooktop	Induction
Design	
Range	•
Appliance width in inches	36
Operating modes	
Surround	•
Maxi Broil	•
Convection Bake	•
Convection Roast	•
Bake	•
Design	
Appliance color	Clean Touch Steel
Oven display	EasyControl
Convenience features	
Precise temperature control	75-575°F
Cooktop features	
Heating type	Induction
Number of induction cooking zones	5
Power level display	1 - 9
Number of vario cooking zones	1 ring
PowerFlex cooking zones	4
PowerFlex cooking areas	2
Residual heat indicator	•
User convenience	
Precision knobs	•
Automatic switch-off	•
Time of day display	•
Minute minder	•
Programmable cooking time	•
Individual settings	•
Appliance door	
CleanGlass door	•
Door contact switch	•
SoftClose oven door/ SoftOpen	•
Oven compartment	
Oven cavity volume in cu. ft. (l)	5.3 (150) ft ³ (l)
Number of oven shelf levels	6
No. of halogen lamps	double
TwinPower hot air fans	•
Efficiency and sustainability	
Rapid PreHeat	•
Cleaning convenience	
Stainless-steel front with partial Clean Touch Steel finish	•
Oven with self-cleaning program	•
Unheated catalyzer	•
Catalyzer	unheated

HR 1432-3 I

36" Range

Fully electric model with induction cooktop and DirectSelect controls



EAN: 4002516842903 / Material number: 12535250 /

Old Material Number: 25143281USA

Cooktop surface Ceramic surface

Safety

Appliance cooling system and cool touch front

•

Safety cut-out

•

System lock

•

Door contact switch

•

Door lock during self cleaning

•

Technical data

Appliance height min in in.(mm)

35 5/8 (902)

Dimensions (depth) in in. (mm) with bullnose

27 3/4 (702)

Appliance height max in in.(mm)

37 1/8 (940)

Frequency in Hz

60

Appliance width in in. (mm)

36 1/8 (915)

Power Rating in V

120

Voltage in V

240/208

Fuse rating in A

50

Number of phases

1

Standard accessories

Self Clean ready baking and roasting rack

1

Self clean ready baking and roasting racks with rail system

1

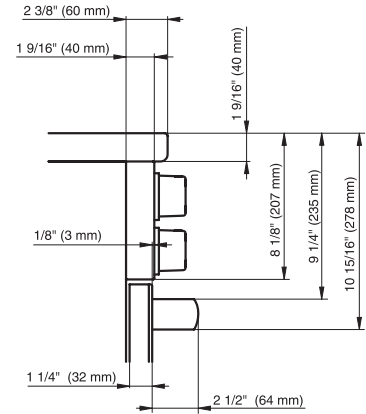
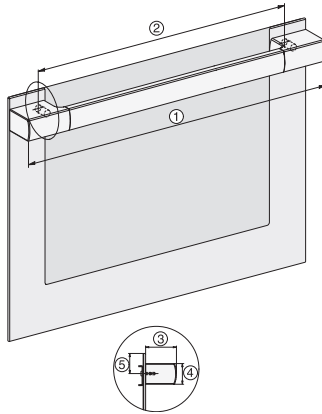
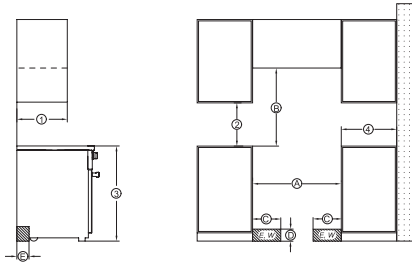
Side racks self clean ready

1

HR 1432-3 I

36" Range

Fully electric model with induction cooktop and DirectSelect controls



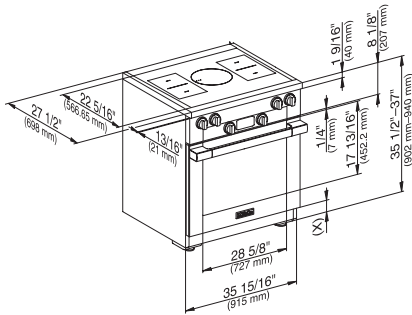
HR1422-3i, HR1622-3i, HR1432-3i, HR1632-3i – Installation drawing

① Maximum depth of top cabinet, ② Minimum distance to bottom edge of top cabinet, ③ Distance from the floor to cooktop surface, ④ Minimum distance to combustible surfaces, E = Electric connection, W = Water connection, (A) Width of cabinet opening, (B) Minimum distance between the top of the cooking area and the bottom of an unprotected combustible surface, Minimum distance to a protected combustible surface or when a Miele Ventilation Hood is installed. For all other Hoods please consult the manufacturer's specifications for required distances., (C) Maximum connection width right and left, (E) Maximum connection height

HR11xx-3, HR14xx-3, HR16xx-3i, HR17xx-3, HR19xx-3 installation drawings

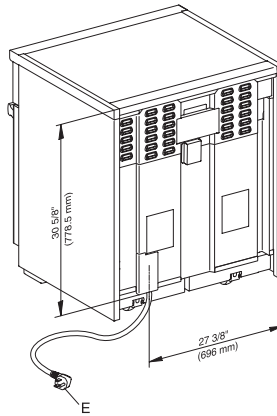
30", ① 20 3/4" / 527.6 mm, ② 16 5/8" / 422.6 mm, ③ 2 1/2" / 64 mm, ④ 1 11/16" / 43 mm, ⑤ 1 11/16" / 42.5 mm, 36", ③ 28 9/16" / 725 mm, ④ 22 5/8" / 575 mm, ⑤ 2 1/2" / 64 mm, ⑥ 1 11/16" / 43 mm, ⑦ 1 11/16" / 42.5 mm

HR1421-3, HR1422-3i, HR1432-3i (installation drawing)



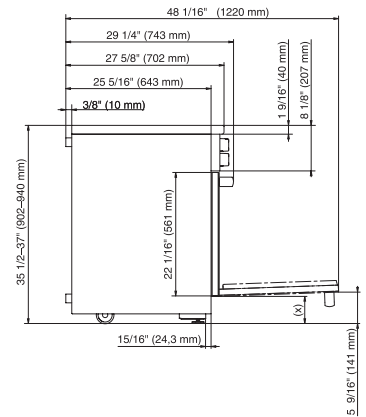
HR1432-3I (installation drawing)

(x) = Toe-kick height adjustment 5" – 6 1/2" (127 mm – 165.1 mm)



HR1432-3I (installation drawing)

E = Electric connection



HR1432-3I (installation drawing)

(x) = Toe-kick height adjustment 5" – 6 1/2" (127 mm – 165.1 mm)