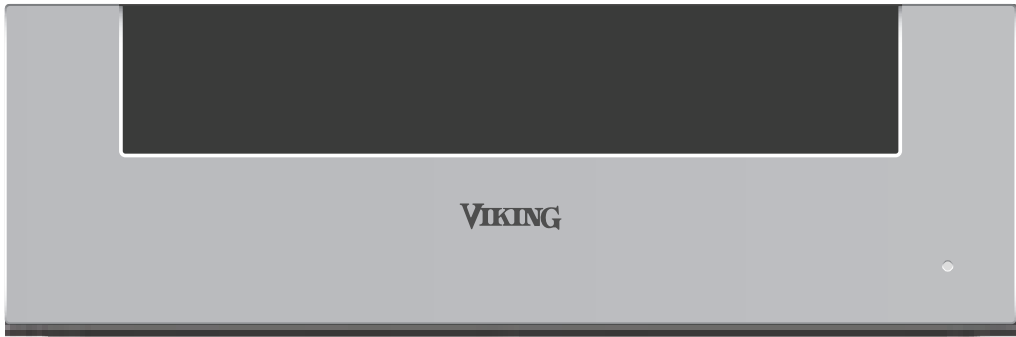


V I K I N G
R V J



Installation + User Guide

RVL - 30" Warming Drawer

MVWDE6301BG | MVWDE6301SS



Table of Contents

Important Safety Instructions	EN-3	Final Install Checklist	EN-28
Safety	EN-4	Notes	EN-29
Installation Safety	EN-5	Use & Care	EN-30
Product Installation	EN-6	Welcome and Thank You	EN-30
Installation Preparation	EN-6	Register Your Product.	EN-30
Installers, it is your responsibility to...	EN-6	How to Avoid Damage to Your Appliance . .	EN-30
Product Dimensions & Specifications	EN-8	Features & Accessories	EN-31
Power Requirements	EN-8	Control Panel Controls	EN-32
Dimensions	EN-9	Using the Controls	EN-32
Cabinetry Specifications - Standalone	EN-10	Operating the Warming Drawer	EN-32
Cabinetry Dimensions	EN-10	Standby Mode.	EN-32
Product Install Dimensions.	EN-11	General Operating Cycle.	EN-32
Flush Mounted Cabinetry Dimensions	EN-12	Explanation of Preset Modes	EN-33
Flush Mounted Product Install Dimensions. .	EN-13	Additional Functions.	EN-34
3-Stack Cabinetry Specifications - Single		Delay Start	EN-34
Wall Oven, Steam Oven & Warming Drawer		Sabbath Mode.	EN-34
<i>(MVSOE6301 & MVSOC6301 & MVWDE6301)</i>		Cleaning & Care	EN-34
.	EN-14	Troubleshooting	EN-35
Standard Install Cabinetry Dimensions	EN-14	Cooking Charts.	EN-36
Standard Install Product Reveals	EN-15	General Use Cases	EN-36
Flush Mounted Cabinetry Dimensions	EN-16	Dry / Dehydrate Function.	EN-36
Flush Mounted Install Product Reveals	EN-17	Rapid Proof Function	EN-36
Side by Side Cabinetry Specifications - Single		Wellness	EN-36
Wall Oven, Steam Oven & Warming Drawer		Low Temperature Cooking.	EN-37
<i>(MVSOE6301 & MVSOC6301 & MVWDE6301)</i>		Prepare Your Meat	EN-37
.	EN-18	Service Information	EN-38
Standard Install Cabinetry Dimensions	EN-18		
Standard Install Product Reveals	EN-19		
Flush Mounted Cabinetry Dimensions	EN-20		
Flush Mounted Install Product Reveals	EN-21		
Double-Stack Cabinetry Specifications - Double			
Wall Oven with Warming Drawer (MVDOE6301 &			
MVWDE6301)	EN-22		
Standard Install Cabinetry Dimensions	EN-22		
Standard Install Product Reveals	EN-23		
Flush Mounted Cabinetry Dimensions	EN-24		
Flush Mounted Install Product Reveals	EN-25		
Installation	EN-26		
Final Measurement and Adjustment of Glass Front			
Panel	EN-27		

Important Safety Instructions

Read and Follow!

WARNING

If the information in this manual is not followed exactly, a fire or explosion may result causing property damage, personal injury or death.

WARNING

Hazards or unsafe practices which **WILL** result in severe personal injury or death.

DANGER

Hazards or unsafe practices which **COULD** result in death or severe personal injury.

DANGER

Hazards or unsafe practices which **COULD** result in minor personal injury.

All safety messages will identify the hazard, tell you how to reduce the chance of injury, and tell you what can happen if the instructions are not followed.

WARNING

- To reduce the risk of fire, electric shock, or injury to persons, installation work and electrical wiring must be done by qualified people in accordance with all applicable codes and standards, including fire-rated conditions.



- **ELECTRICAL SHOCK HAZARD** - This appliance is equipped with a 3-prong power cord with a grounding plug for your protection against shock hazard and should be plugged directly into a properly grounded receptacle. Only use power cord supplied with the unit.
- To prevent possible damage to cabinets and cabinet finishes, use only materials and finishes that will not discolor or delaminate and will

withstand temperatures up to 194°F (90°C). Heat resistant adhesive must be used if the product is to be installed in laminated cabinetry. Check with your builder or cabinet supplier to make sure that the materials meet these requirements.



- **TIP HAZARD** - This product may tip. Keep children away and take care. Failure to follow this advice may result in injury. Drawer must be secured in place by supplied screws.
- **CUT HAZARD** - Failure to use caution could result in injury. Take care: some edges may be sharp. Do not put fingers in the drawer when closing.
- Do not use appliance for other than intended use.



CAUTION

- If you notice smoke coming from the appliance itself or from inside the warming drawer, keep the drawer closed and disconnect it from the power supply.
- Accessories get hot in the warming drawer. Use protective gloves or oven cloths.
- As there is a risk of injury, be careful to keep fingers away from the drawer's openings and

edges when closing the drawer. Particular care should be taken when children are around.

- When open, the drawer poses a danger of tripping or injury! Do not sit or rest on the drawer or use it as a storage surface.
- Packaging materials, e.g. plastic film and polystyrene, can be dangerous for children. Danger of suffocation! Keep packaging material away from children.

SAVE THESE INSTRUCTIONS

SAVE THESE INSTRUCTIONS

Safety

- DO NOT remove permanently affixed labels, warnings, or plates from product. This may void the warranty.
- All local and national codes and ordinances must be observed. Installation must conform with local codes, or in the absence of codes, the National Electrical Code, ANSI/NFPA-70 – latest edition.
- The installer must leave these instructions with the consumer who should retain for local inspector's use and for future reference.
- To protect against electrical shock and damage to your appliance, do not immerse cord or plug in water or other liquid. Avoid spilling large amounts of liquid on or around the appliance as this may cause electrical shorts, damage to electronics, and become a fire hazard. Under no circumstances use a steam cleaner to clean the appliance.
- This appliance can be used by children aged 8 and above and by persons with reduced physical, sensory or mental capabilities, or lack of experience and/or knowledge, provided they are supervised or have been instructed on the safe use of the appliance and have understood the hazards involved. Children shall not play with the appliance. Cleaning and user maintenance shall not be undertaken by children without supervision.
- The appliance and its internal parts get hot during use. Be careful not to touch the heating elements. Keep small children away.
- If the Warming Plate is cracked, immediately turn off the appliance and unplug it from the power source to prevent the risk of electric shock.
- The appliance can be used in the home for preparing food. Under no circumstances flambé or cook food using a lot of fat in the warming drawer! No liability is assumed for any damage caused by improper use or incorrect handling.
- Never use the appliance to dry animals, textiles or paper!
- Do not use the appliance as a room heater.
- Any repairs, modifications or manipulations to the appliance, may only be carried out by the manufacturer, by Viking Preferred Service or a similarly qualified person. Repairs if carried out incorrectly may cause serious injury, damage to the appliance and fittings, as well as affect the functioning of the appliance. If the appliance is not working properly or if a repair is needed, follow the instructions given in the Troubleshooting, Service Information, or Warranty section. Please contact Viking Preferred Service if necessary.
- Use original spare parts only.
- Retain these operating instructions for future reference.
- The use of accessory attachments not recommended by the manufacturer may cause injuries.
- Extreme caution must be used when moving an appliance containing hot oil or other hot liquids.
- Do not use objects that can rust in the warming drawer.
- Using knives or cutting wheels in the drawer will visibly damage the surface.
- To prevent corrosion, leave the drawer open until the cooking space has cooled down.
- When cleaning the appliance make sure no water gets inside it. Use a damp cloth. Do not spray the outside or the inside of the appliance with water. If water gets inside the appliance, it will cause damage.
- Never force the drawer open.
- Do not use outdoors

SAVE THESE INSTRUCTIONS

SAVE THESE INSTRUCTIONS

Installation Safety

- The appliance must be installed by qualified personnel only.
- If the power cord of this appliance is damaged, it must be replaced by the manufacturer or Viking Preferred Service or a similarly qualified person in order to avoid hazard.
- Each step must be carried out and checked in full in the order specified. Before using fully integrated appliances for the first time, the cabinet front must be mounted correctly as the metal parts behind the cabinet front get hot during operation.
- Electrical connections must be carried out by qualified personnel in accordance with local codes, or in the absence of local codes, the National Electric Code, ANSI/NFPA-70 - latest edition.
- A plug-in appliance may only be connected to a socket outlet with grounding contact, installed according to local codes, or in the absence of local codes, the National Electric Code, ANSI/NFPA-70 - latest edition. Switches, plug and socket devices, circuit breakers and fusible cut-outs which are accessible after installation are permissible as isolating devices. Effective grounding and separately installed neutral and ground conductors ensure safe and fault-free operation. After installation, live parts and cables with basic insulation must not be accessible. Check old installations.
- Refer to the identification plate for information on the required voltage, current type and fuse protection.
- When combining with another appliance, ensure each appliance has its own power outlet.
- Avoid sharing the power point to prevent accidental switching off of the appliance.
- Do not use an extension cord or a portable electrical outlet device (e.g. multi-outlet outlet box) to connect the drawer to the power supply. Ensure the power supply cord is located so that it will not be subject to damage or stress.
- Efficient repairs can only be guaranteed if it is possible to uninstall the complete appliance at any time without causing any damage.
- Do not operate any appliance with a damaged cord or plug or after the appliance malfunctions or has been damaged in any manner.
- Always plug included power cord to appliance first then plug power cord into the wall outlet. To disconnect, turn the warming drawer completely off, then remove power cord plug from wall outlet.

SAVE THESE INSTRUCTIONS

PRODUCT INSTALLATION

Installation Preparation

Installers, it is your responsibility to...

- Comply with installation specifications and dimensions.
- Properly install the unit.
- Remove any molding or decorative panels that prevent the unit from being serviced.
- Make sure that you have the necessary tools and materials on hand to install the unit.
- Provide a properly grounded electrical outlet.
- Any installation not matching the specifications discussed in these instructions will void the manufacturer's warranty.

Design Information

The warming drawer may be installed in a cabinet alone, or below other appliances such as a steam oven, wall oven, speed cook oven, or another warming drawer. The warming drawer may also be installed side by side, below a countertop, or below specified cooktops. When installing this unit directly below other units, only install with Viking Range, LLC built-in products.

IMPORTANT: Always refer to individual installation instruction packed with each product for specific requirements.

Included Accessories and Parts

- Wire Shelf
- 4 Mounting Screws - Torx 20

Tools You May Need

- 1/8" Drill Bit and Electric Drill
- Torx 20 Screwdriver

Remove Packaging & Accessories Before Installing

- Failure to remove packaging materials could result in damage to the appliance.
- Remove the warming drawer and accessories box from the packaging. Recycle the materials that can be reused. Dispose packaging materials in accordance with local regulations on waste disposal.
- Inspect the warming drawer for any signs of damage. Do not install the warming drawer if it has been damaged. If the product is damaged, contact your local dealer.
- Open drawer and remove all packing parts, literature pack and accessory rack from the warming drawer interior.
- Remove protective, film and labels on the outer door and control panel.
- Locate the Parts package containing mounting screws.

Prepare Installation Location

- It is the responsibility of the installer to comply with local codes. If no local codes are applicable, wire in accordance with the National Electrical Code, ANSI/NFPA-70 – latest edition.
- Disconnect switch, circuit breaker, or plug/ receptacle of power cord connection should be readily accessible to the operator.
- Ground unit per applicable electrical codes.

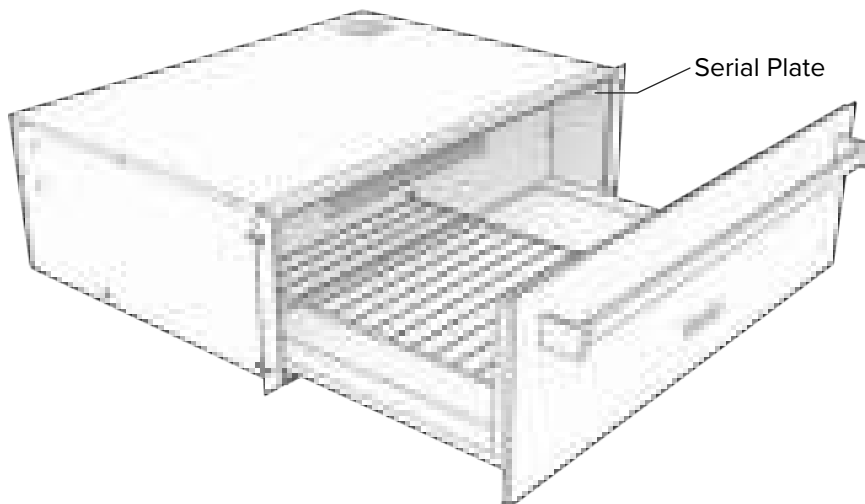
Intentionally Left Blank

Product Dimensions & Specifications

Power Requirements

Description	MVWD6301
Power Cord Length	70 7/8" [1800mm]
Power Outlet	3-prong grounded
Supply	110 VAC, 60 Hz
Service	10 amp circuit
Max Power Usage (Watts)	810 Watts
Min power usage (off)	.5 Watts

* Power outlet must be grounded and located within 35 7/16" (900mm) of the center of the product.



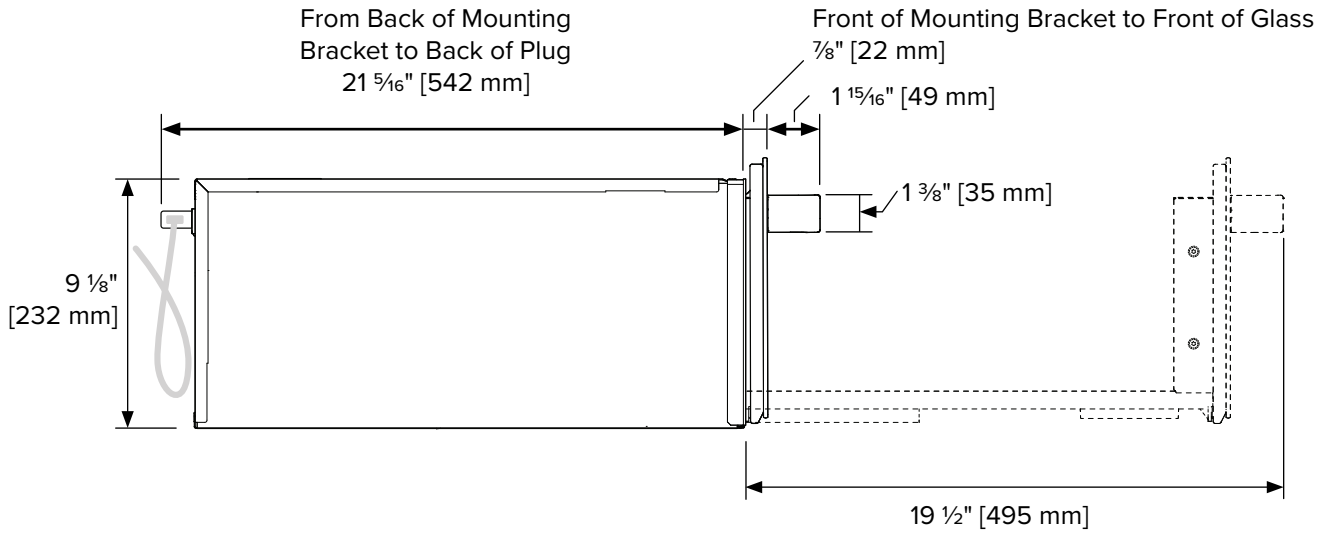
Serial Plate

- The serial plate is viewable when the drawer is opened most of the way.
- The serial plate contains information regarding power requirements and information for replacement parts.

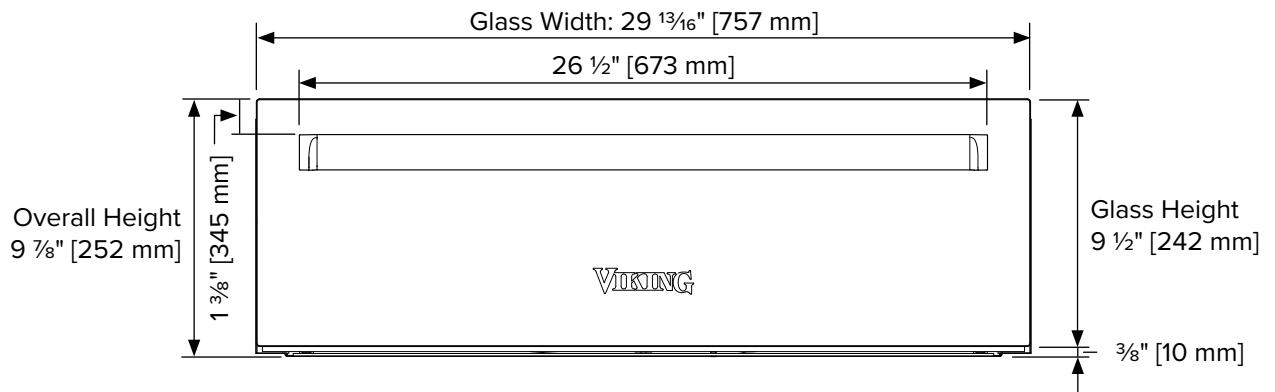
Dimensions

Description		MVWD6301	
Width	Overall	29 13/16"	[757 mm]
	Between cabinetry mounting holes	29 1/8"	[740 mm]
	Width of Body	27 5/8"	[707 mm]
Height	Overall	9 7/8"	[252 mm]
	Front Glass Height	9 1/2"	[242 mm]
	Height of Body	9 1/8"	[232 mm]
Depth	Overall to front of Handle	24 1/8"	[613 mm]
	Overall to front of Glass	22 3/16"	[564 mm]
	Depth into Cabinetry	21 5/16"	[541 mm]
	Drawer Extension	19 1/2"	[495 mm]
Interior	Interior Width	26 13/16"	[681 mm]
	Interior Height	7 3/8"	[187 mm]
	Interior Depth	16 1/8"	[410 mm]
Approximate Shipping Weight		75lbs	[34.02kg]

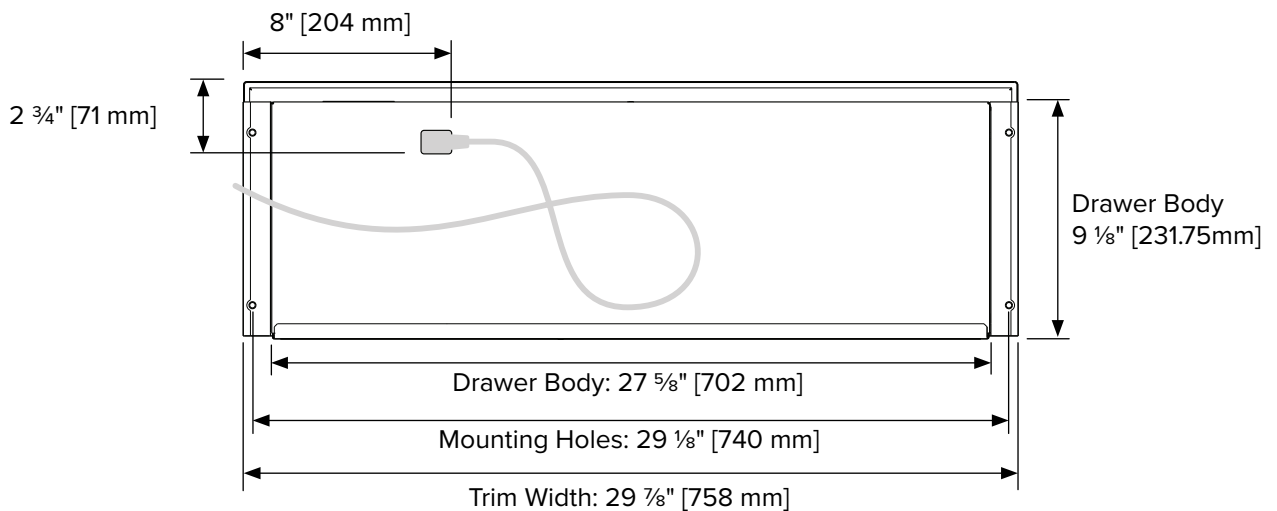
Dimensions



Side



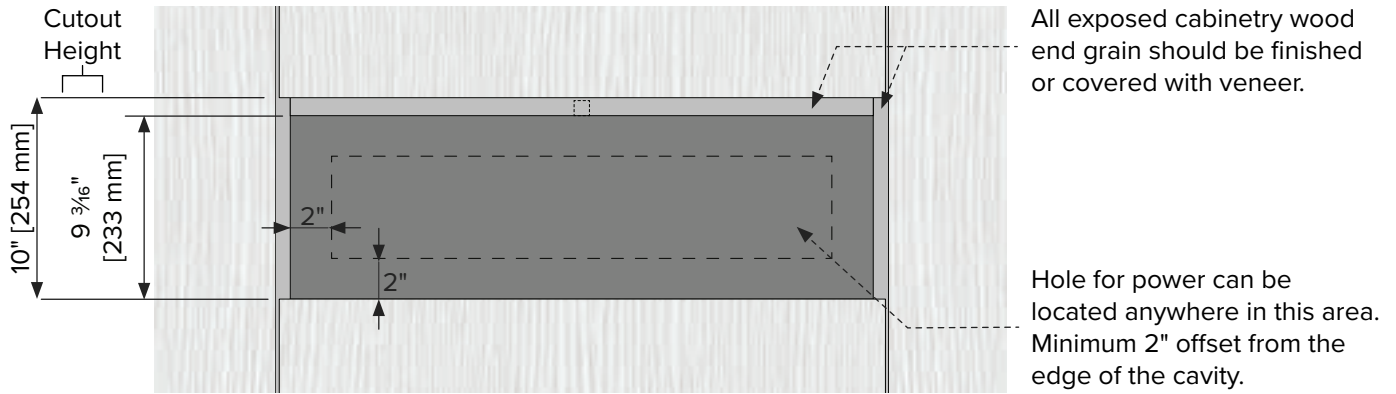
Front



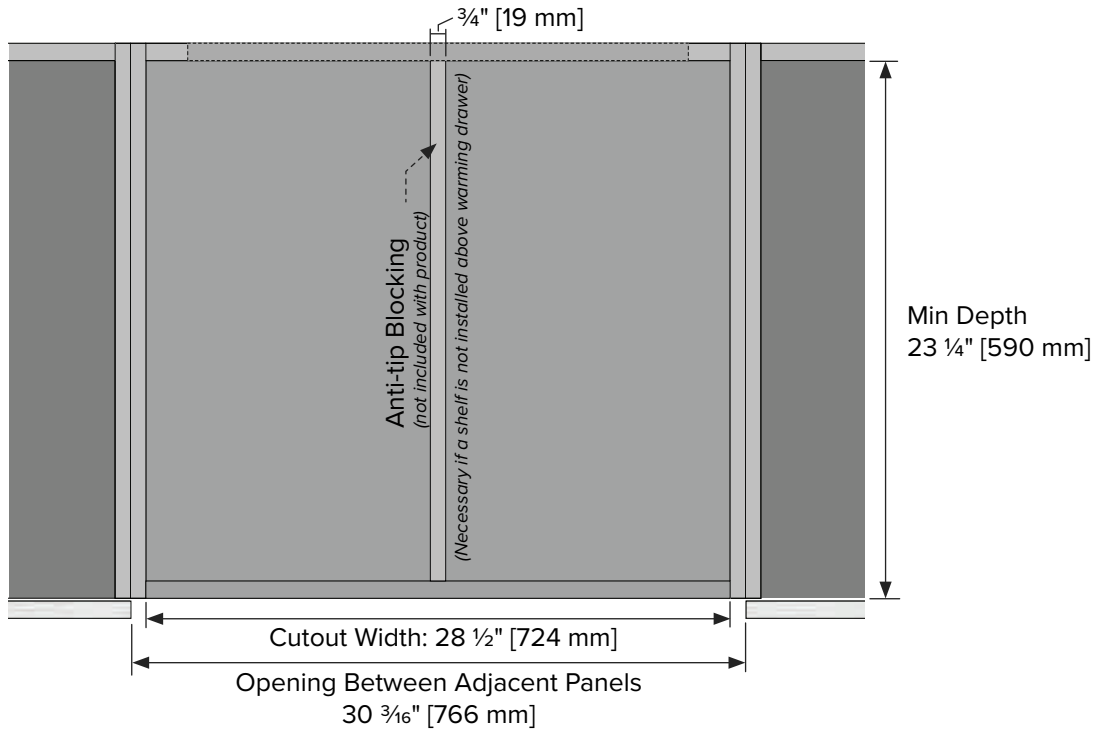
**Back
(Power Location)**

Cabinetry Specifications - Standalone

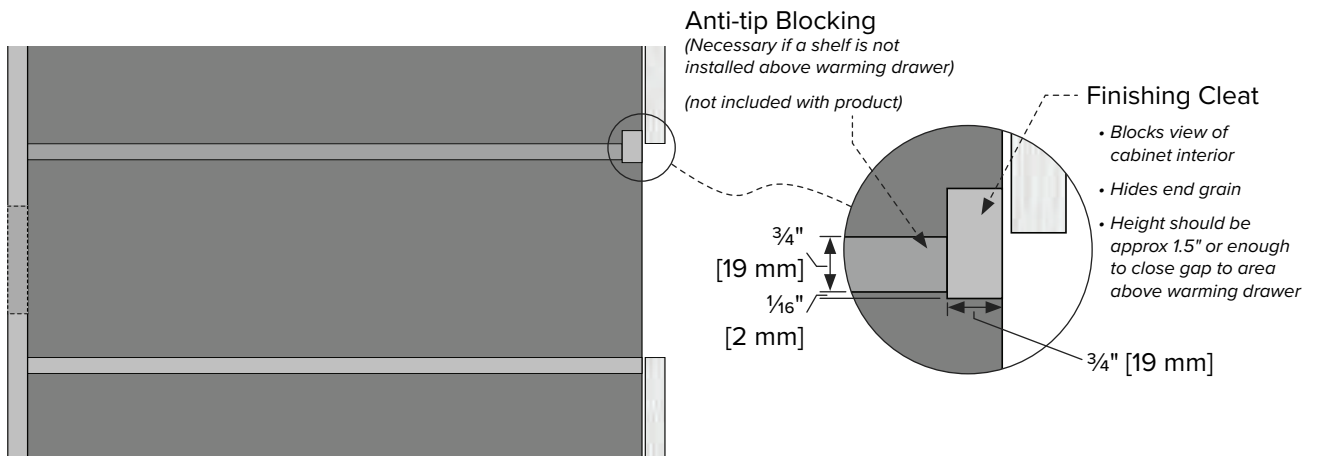
Cabinetry Dimensions



Front

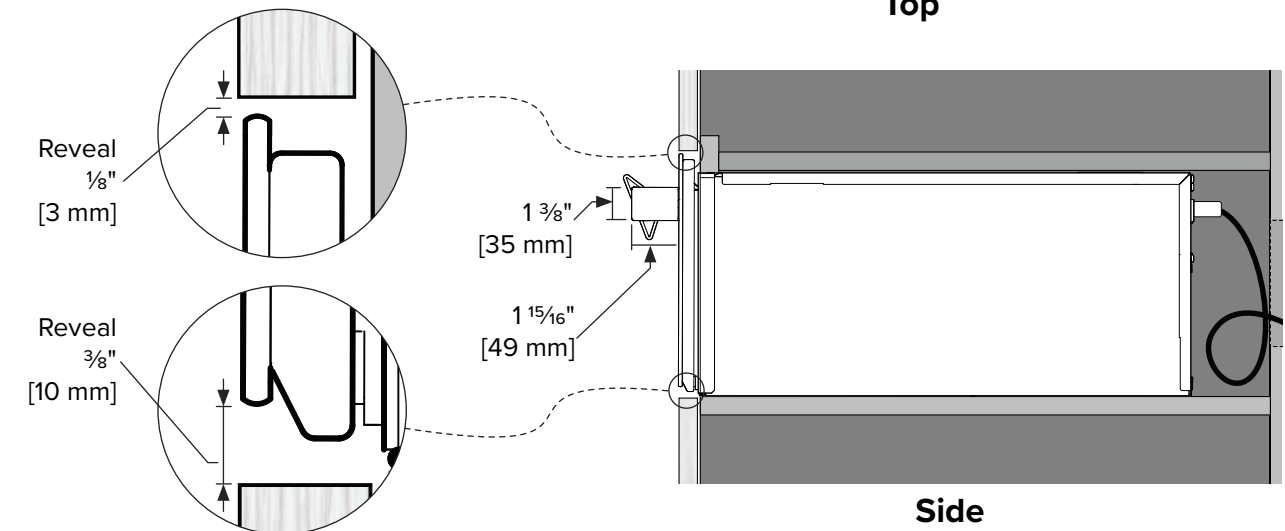
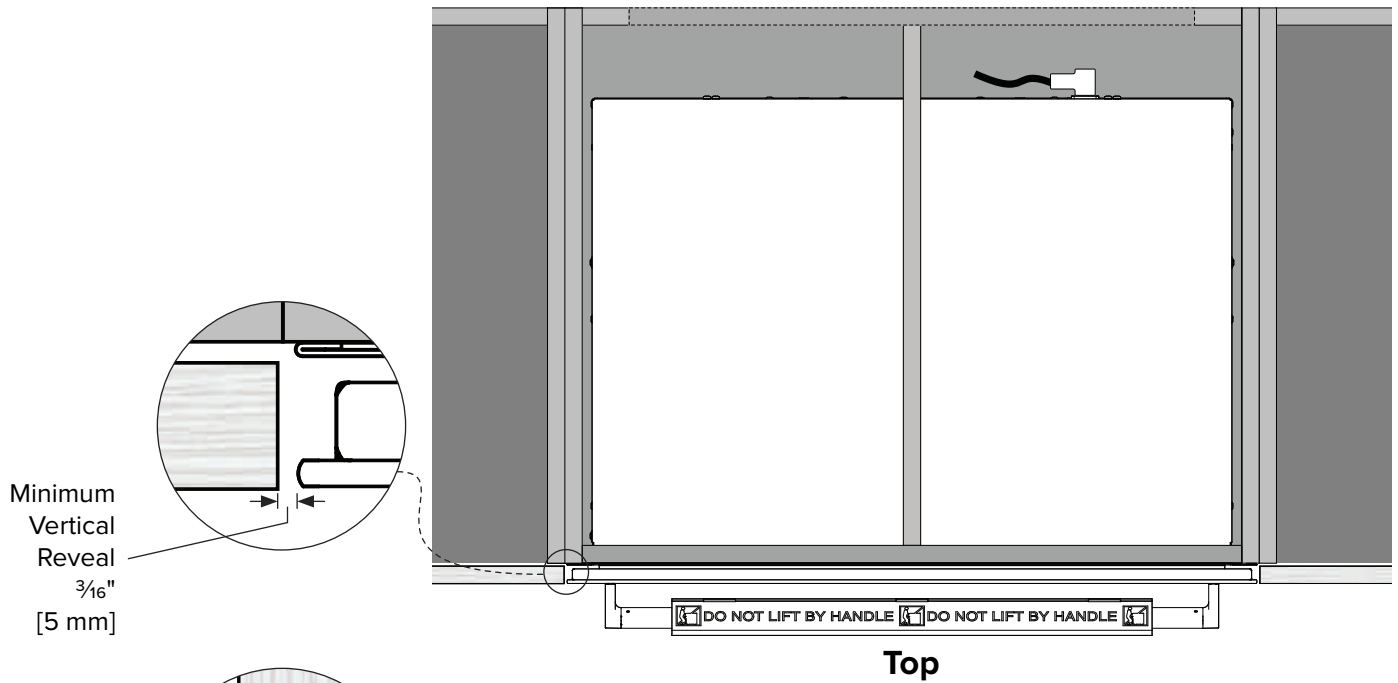
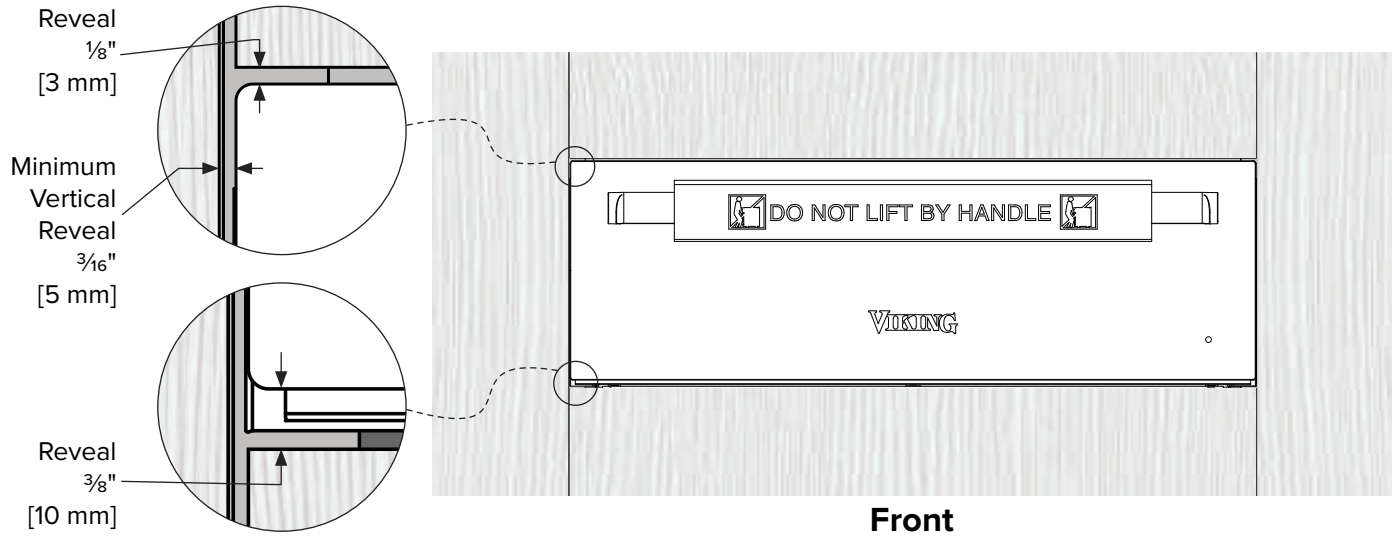


Top

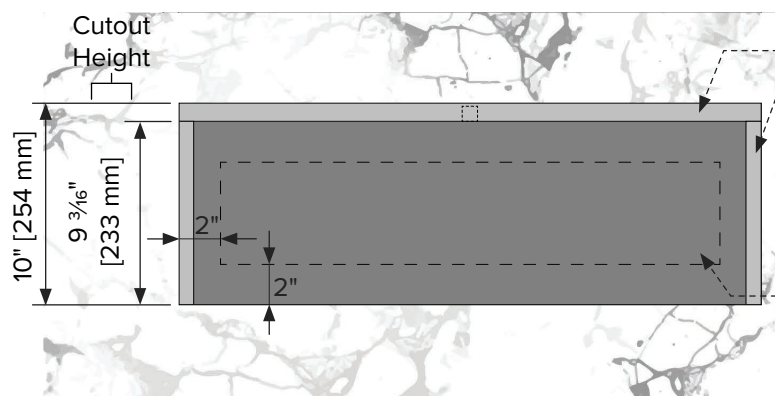


Side

Product Install Dimensions



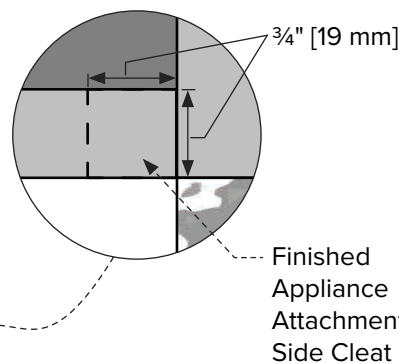
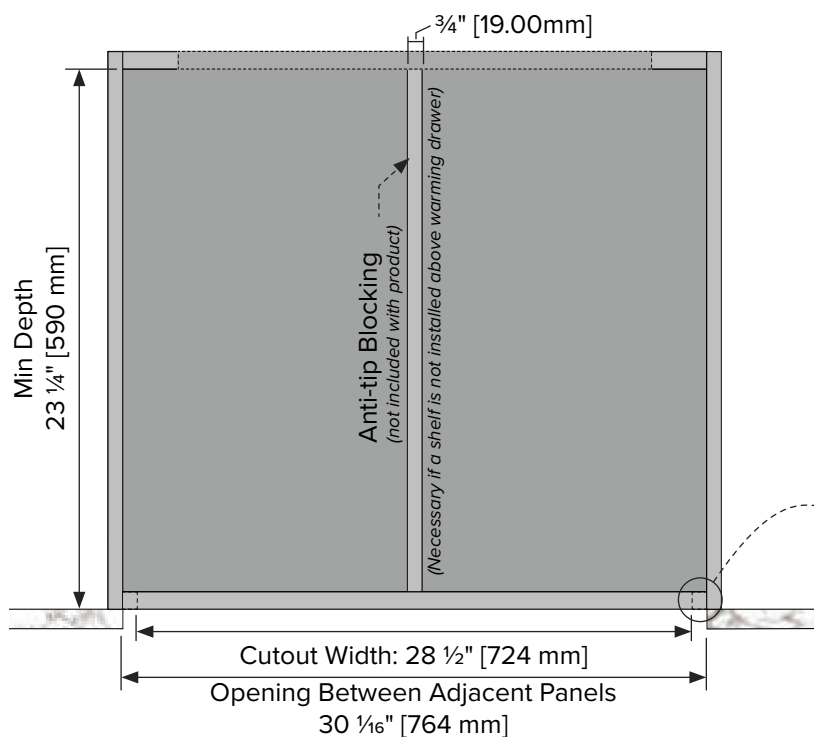
Flush Mounted Cabinetry Dimensions



All exposed cabinetry wood end grain and Appliance Attachment Side Cleats should be finished or covered with veneer.

Hole for power can be located anywhere in this area. Minimum 2" offset from the edge of the cavity.

Front



Finished Appliance Attachment Side Cleat

Top



Anti-tip Blocking
(Necessary if a shelf is not installed above warming drawer)
(not included with product)

3/4" [19 mm]
1/16" [2 mm]

3/4" [19 mm]
7/8" [22 mm]

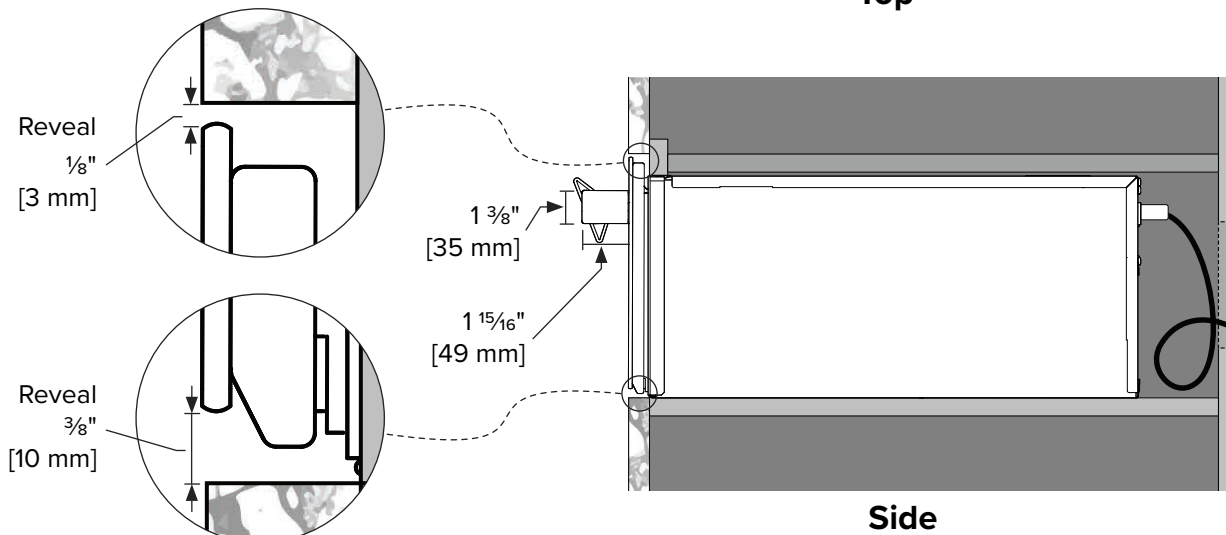
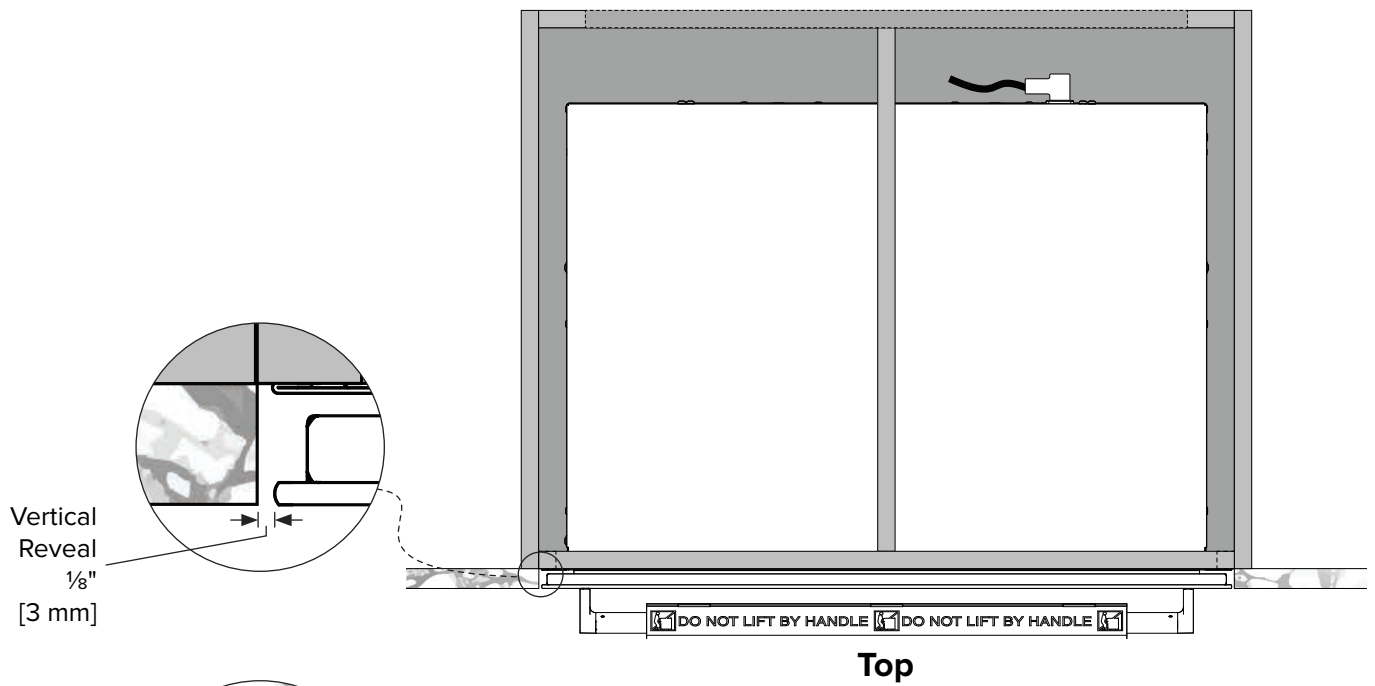
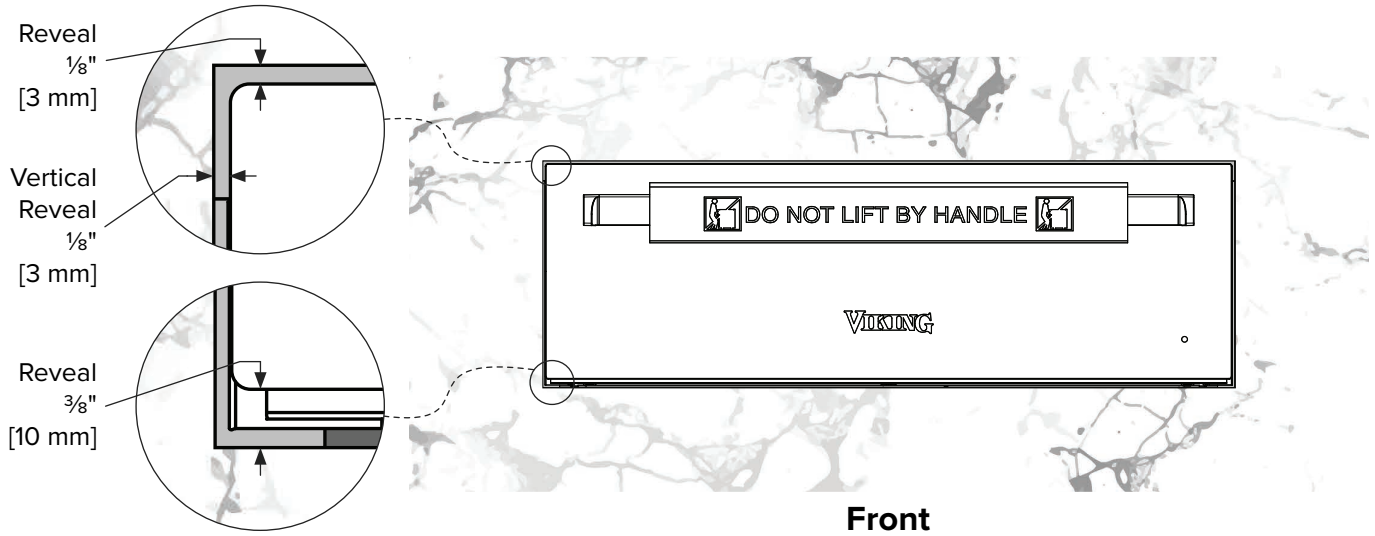
Finishing Cleat

- Blocks view of cabinet interior
- Hides end grain
- Height should be approx 1.5" or enough to close gap to area above warming drawer

Finished Appliance Attachment Side Cleat

Side

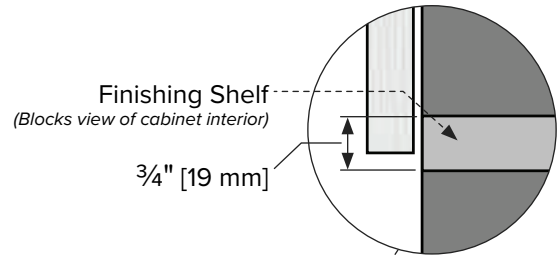
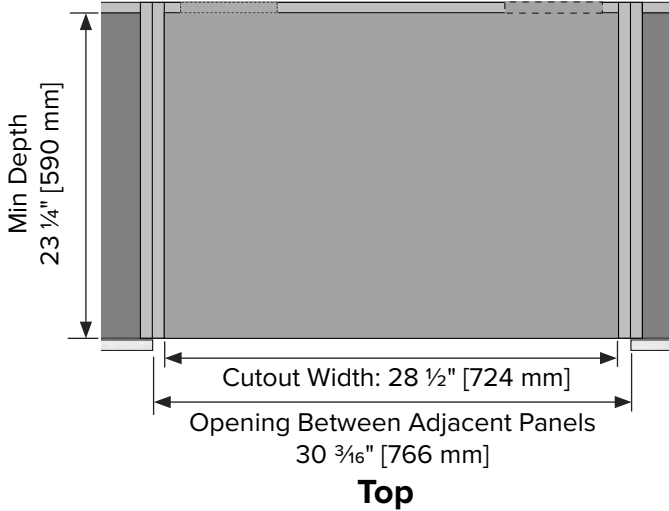
Flush Mounted Product Install Dimensions



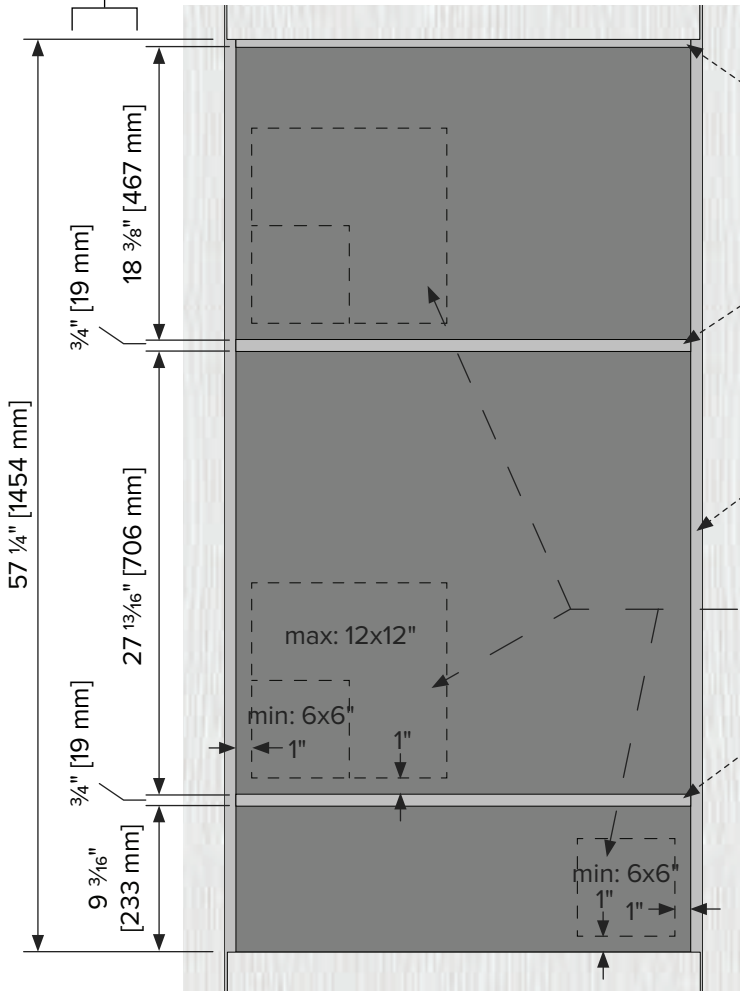
3-Stack Cabinetry Specifications - Single Wall Oven, Steam Oven & Warming Drawer

(MVSOE6301 & MVSOC6301 & MVWDE6301)

Standard Install Cabinetry Dimensions

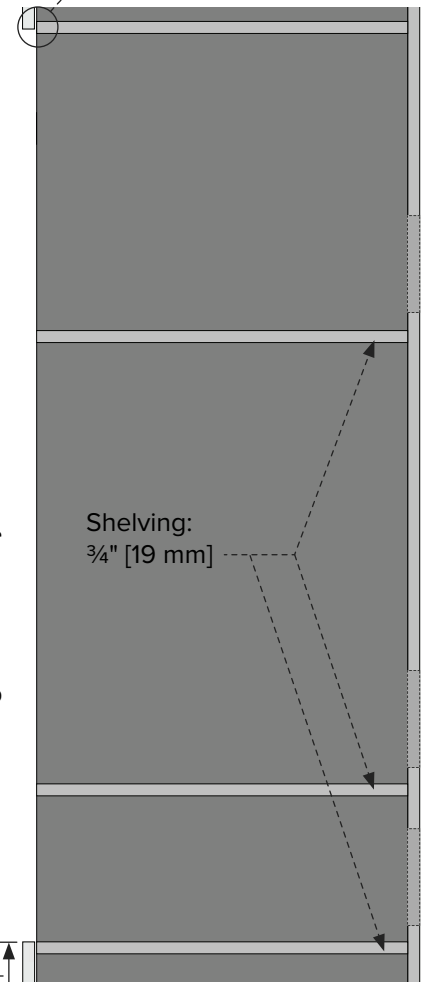


Cutout Heights



All exposed cabinetry wood end grain should be finished or finished with veneer.

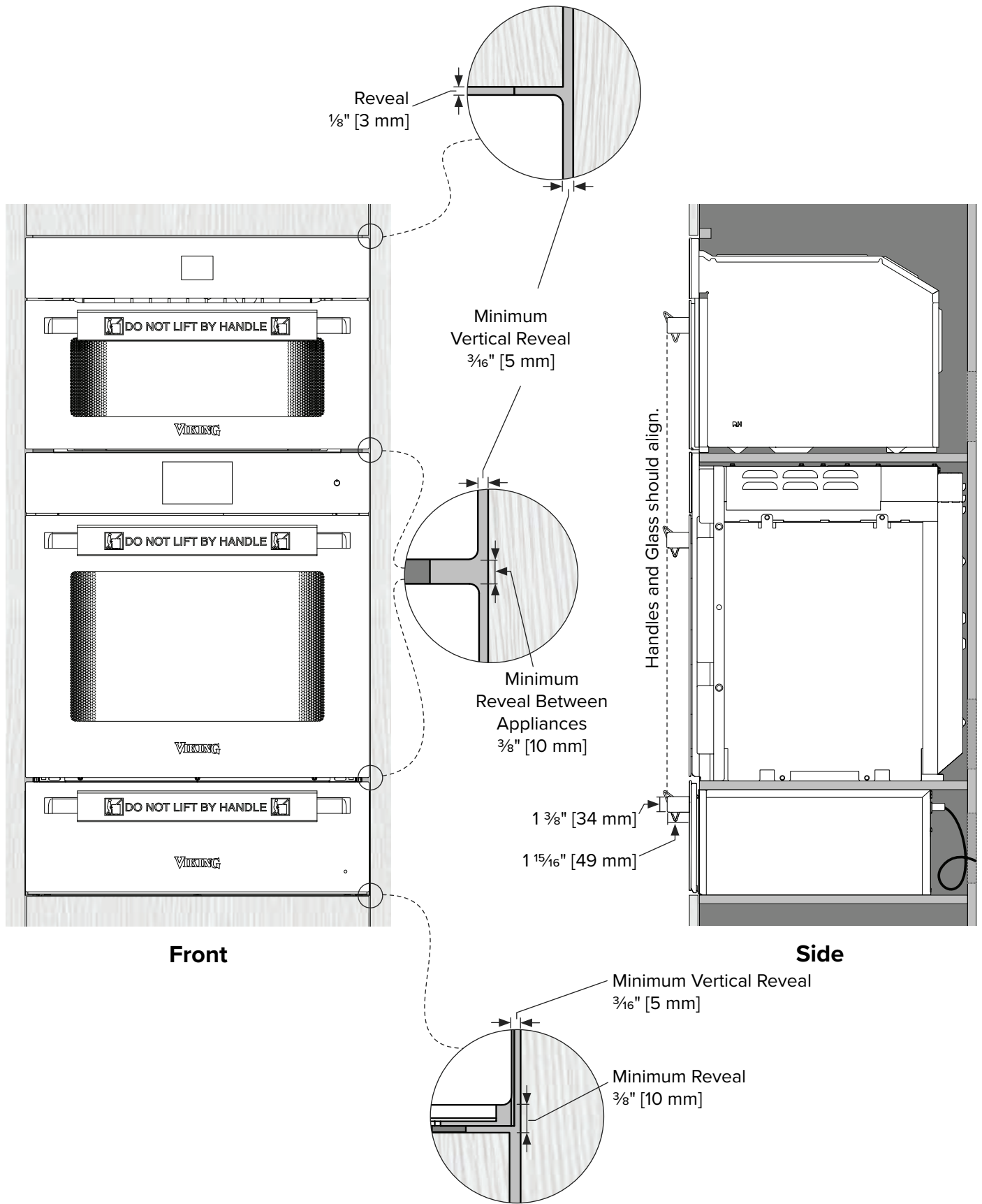
Location for power conduit hole. Conduit hole should be at least 6x6", but no more than 12x12". About 1" offset from the edge of the cavity.



Front

Side

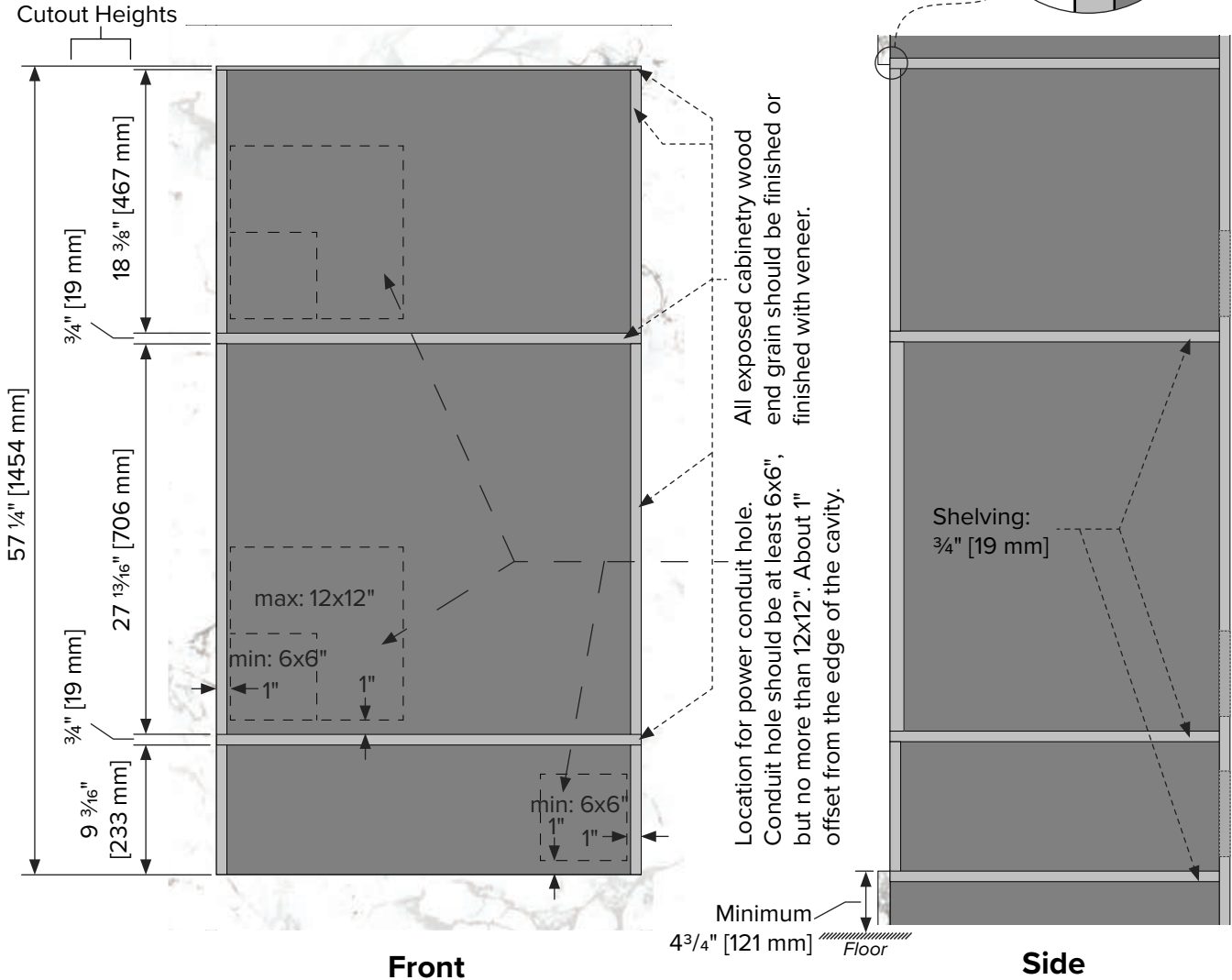
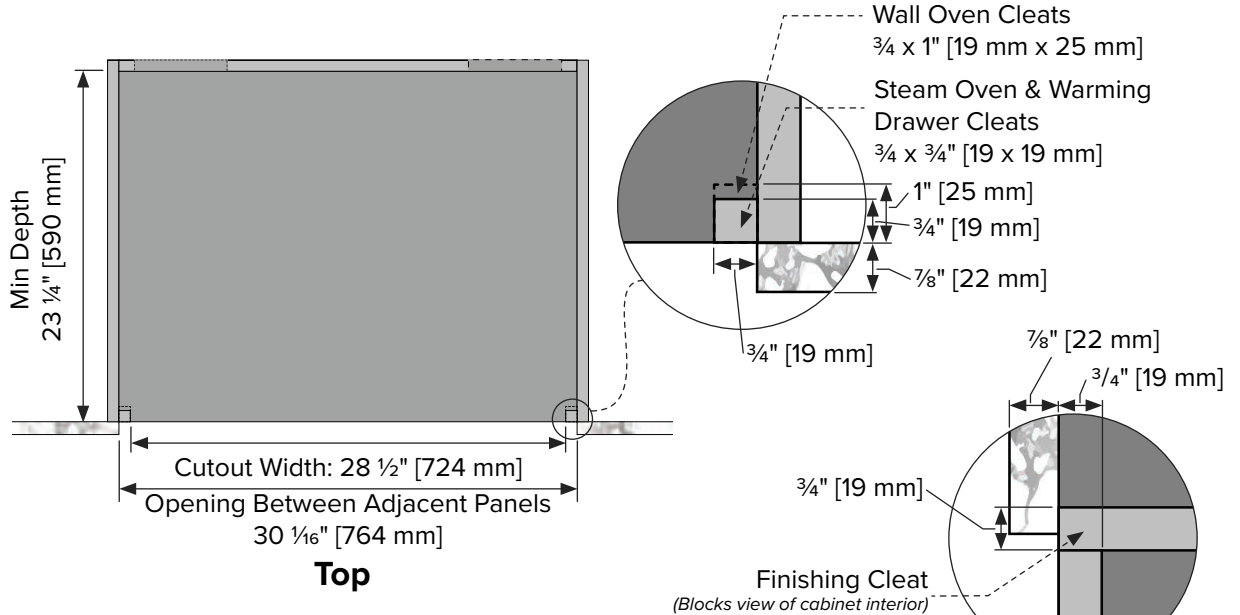
Standard Install Product Reveals



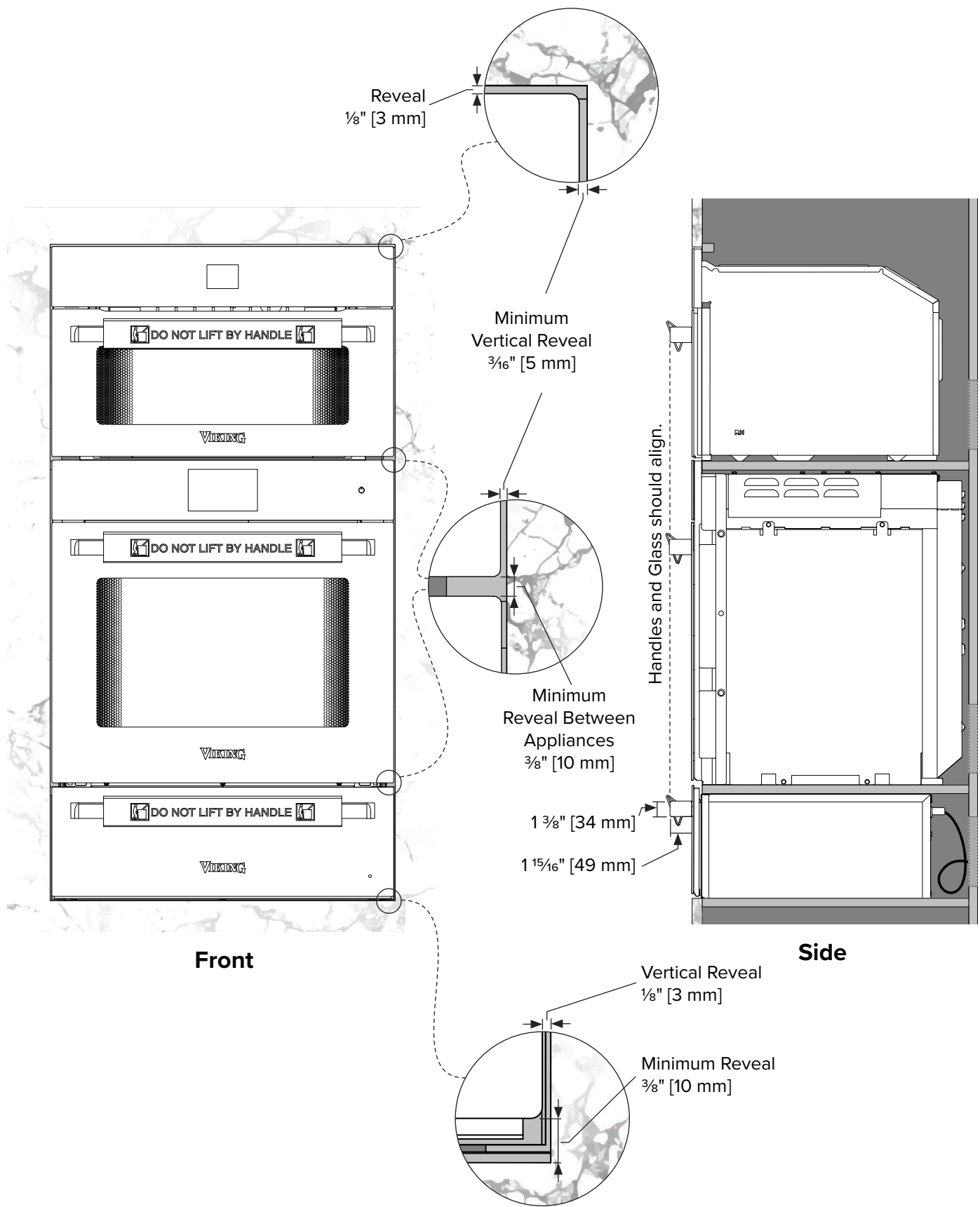
Front

Side

Flush Mounted Cabinetry Dimensions



Flush Mounted Install Product Reveals



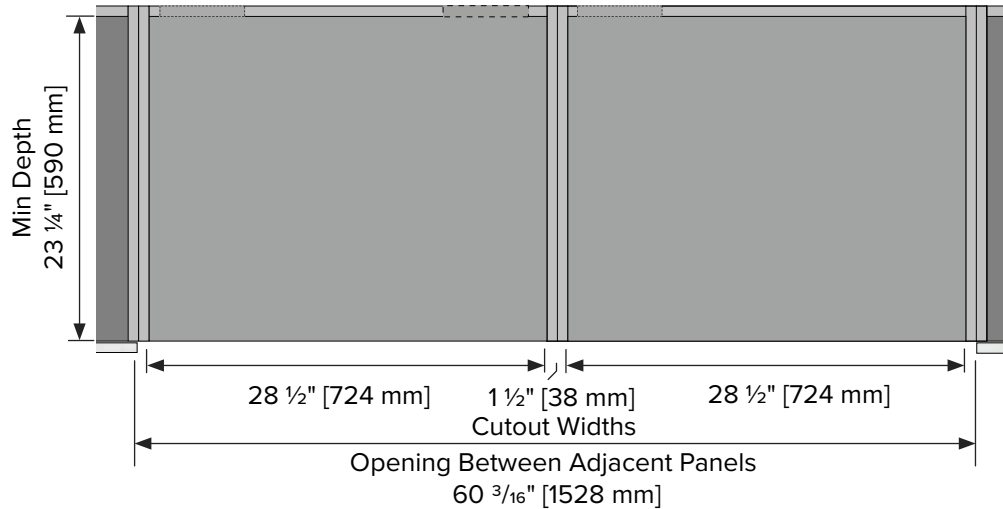
Front

Side

Side by Side Cabinetry Specifications - Single Wall Oven, Steam Oven & Warming Drawer

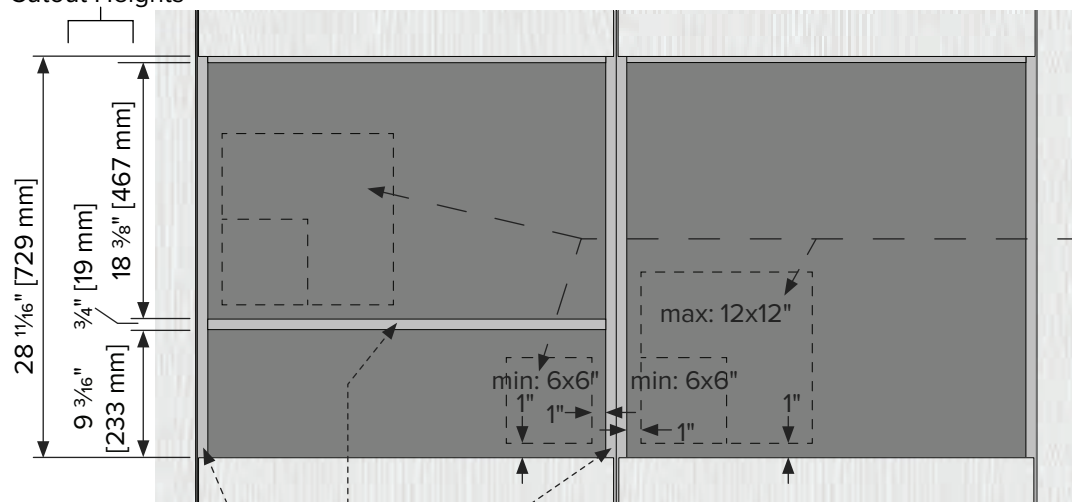
(MVSOE6301 & MVSOC6301 & MVWDE6301)

Standard Install Cabinetry Dimensions



Top

Cutout Heights



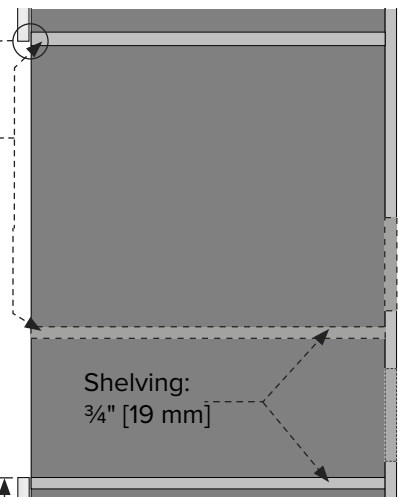
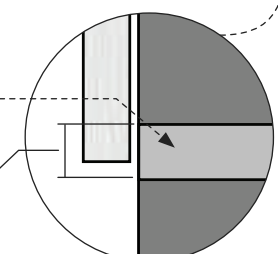
Location for power conduit hole. Conduit hole should be at least 6x6", but no more than 12x12". About 1" offset from the edge of the cavity.

Front

All exposed cabinetry wood end grain should be finished or finished with veneer.

Finishing Shelf
(Blocks view of cabinet interior)

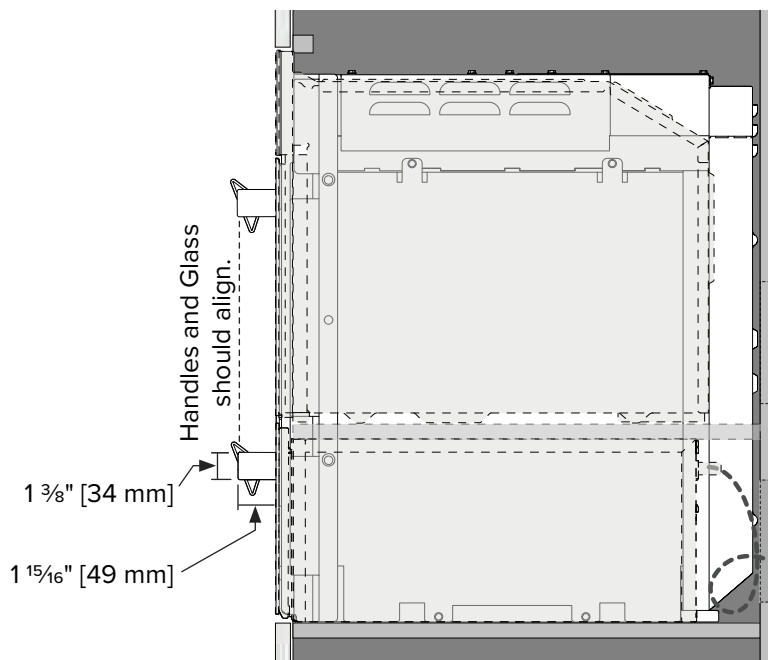
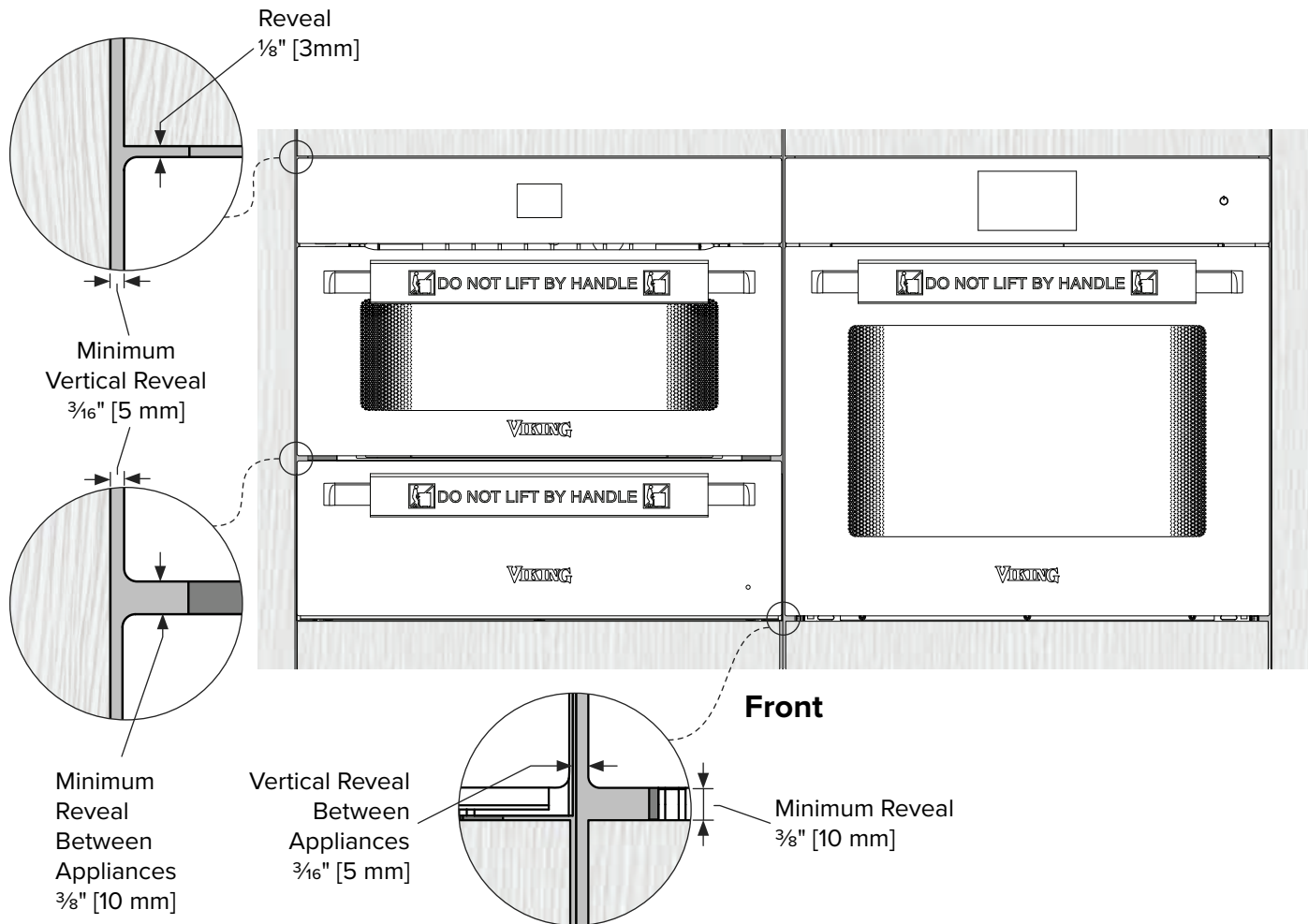
3/4" [19 mm]



Minimum
4 3/4" [121 mm]
Floor

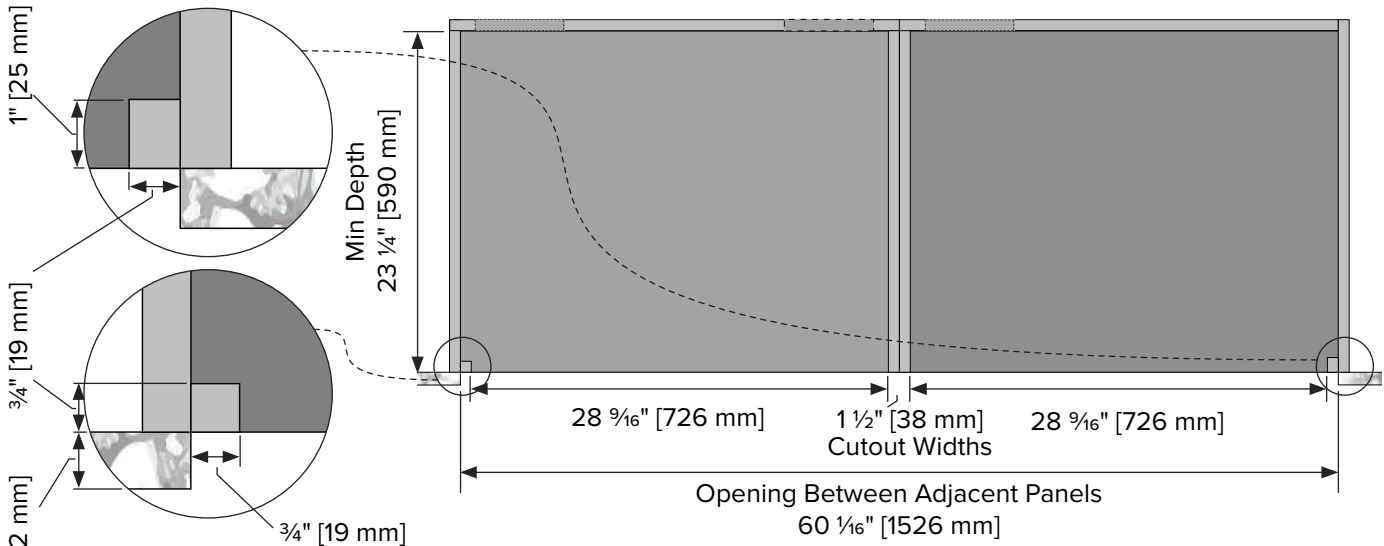
Side

Standard Install Product Reveals



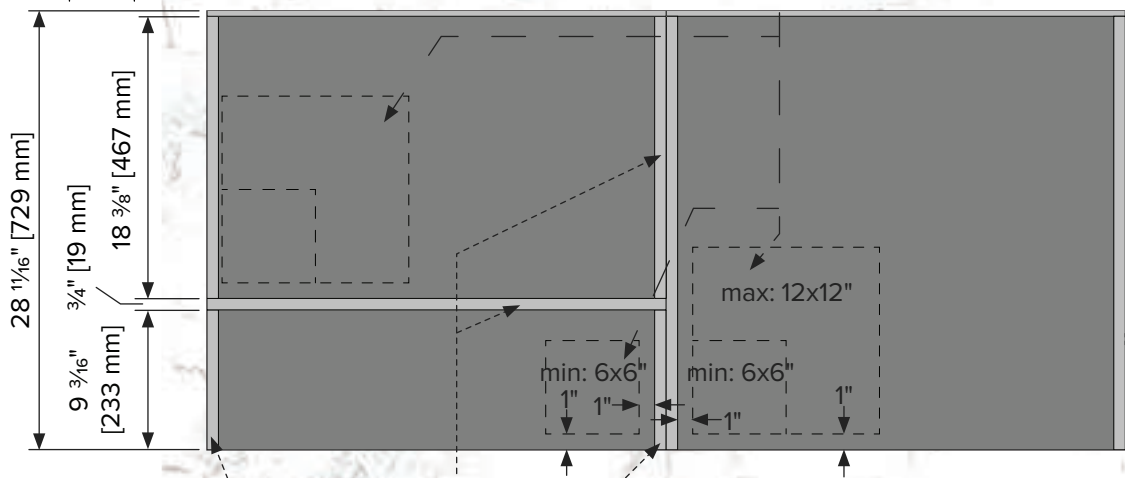
Side

Flush Mounted Cabinetry Dimensions



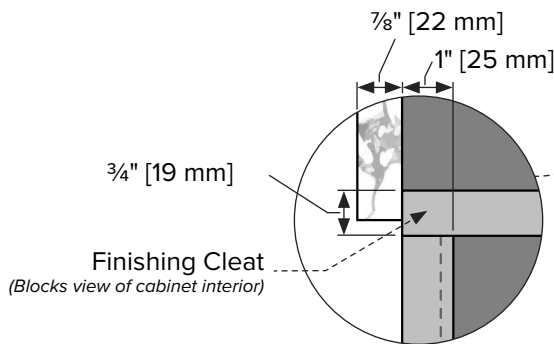
Location for power conduit hole. Conduit hole should be at least 6x6", but no more than 12x12". About 1" offset from the edge of the cavity.

Cutout Heights

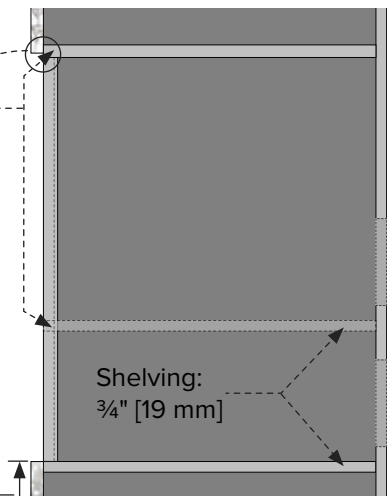


Front

All exposed cabinetry wood end grain should be finished or finished with veneer.

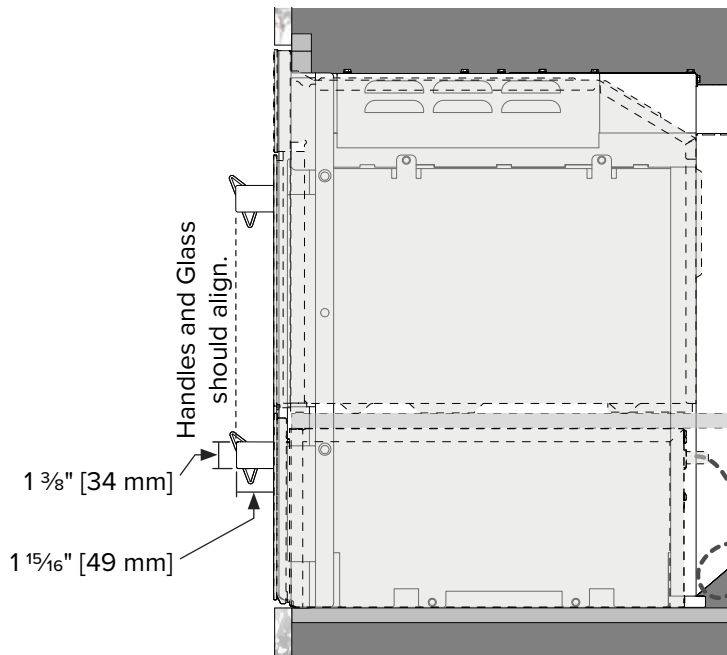
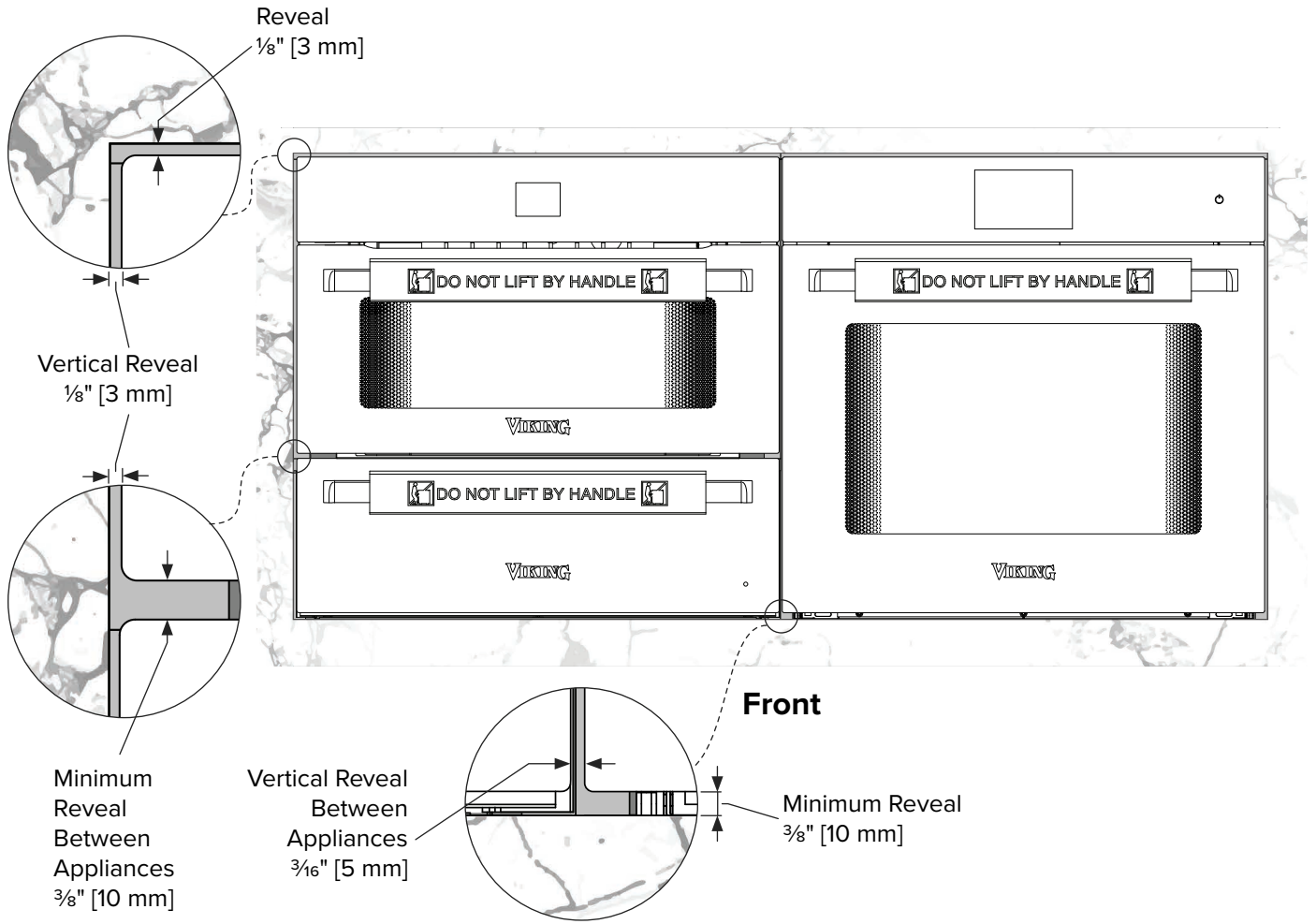


Minimum 4 3/4" [121 mm] Floor



Side

Flush Mounted Install Product Reveals

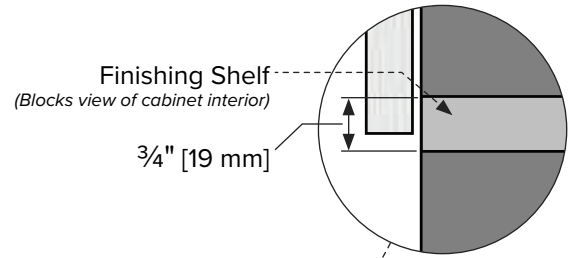
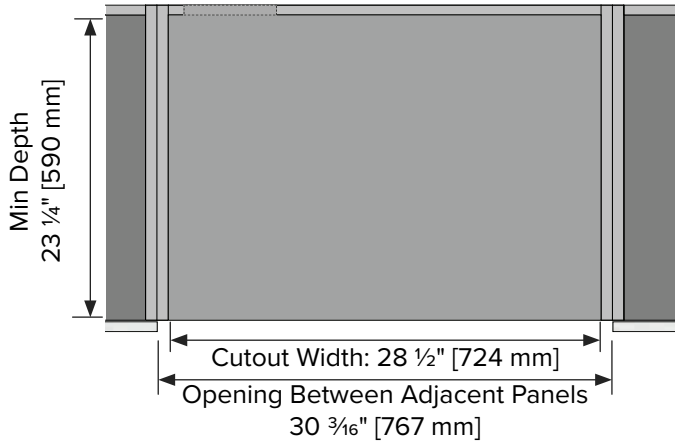


Side

Double-Stack Cabinetry Specifications - Double Wall Oven with Warming Drawer

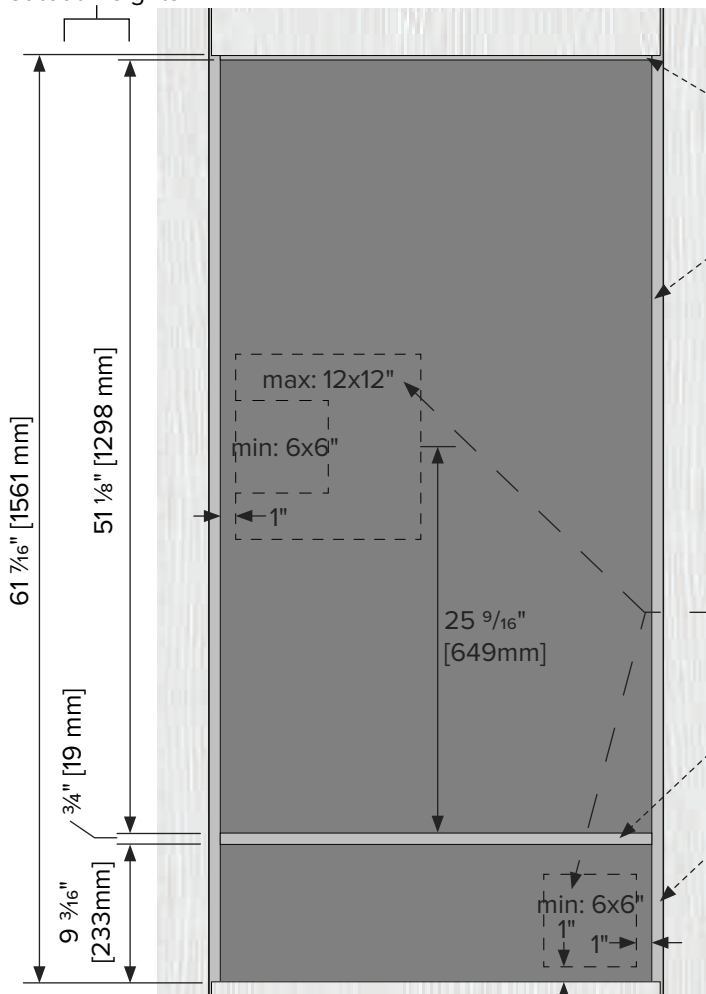
(MVDOE6301 & MVWDE6301)

Standard Install Cabinetry Dimensions



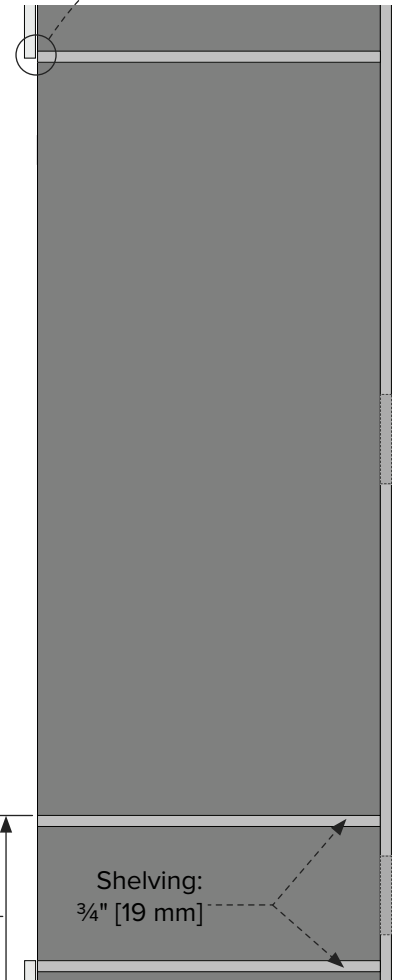
Cutout Heights

Top



All exposed cabinetry wood end grain should be finished or finished with veneer.

Location for power conduit hole. Conduit hole should be at least 6x6", but no more than 12x12". About 1" offset from the edge of the cavity.



Front

Safety

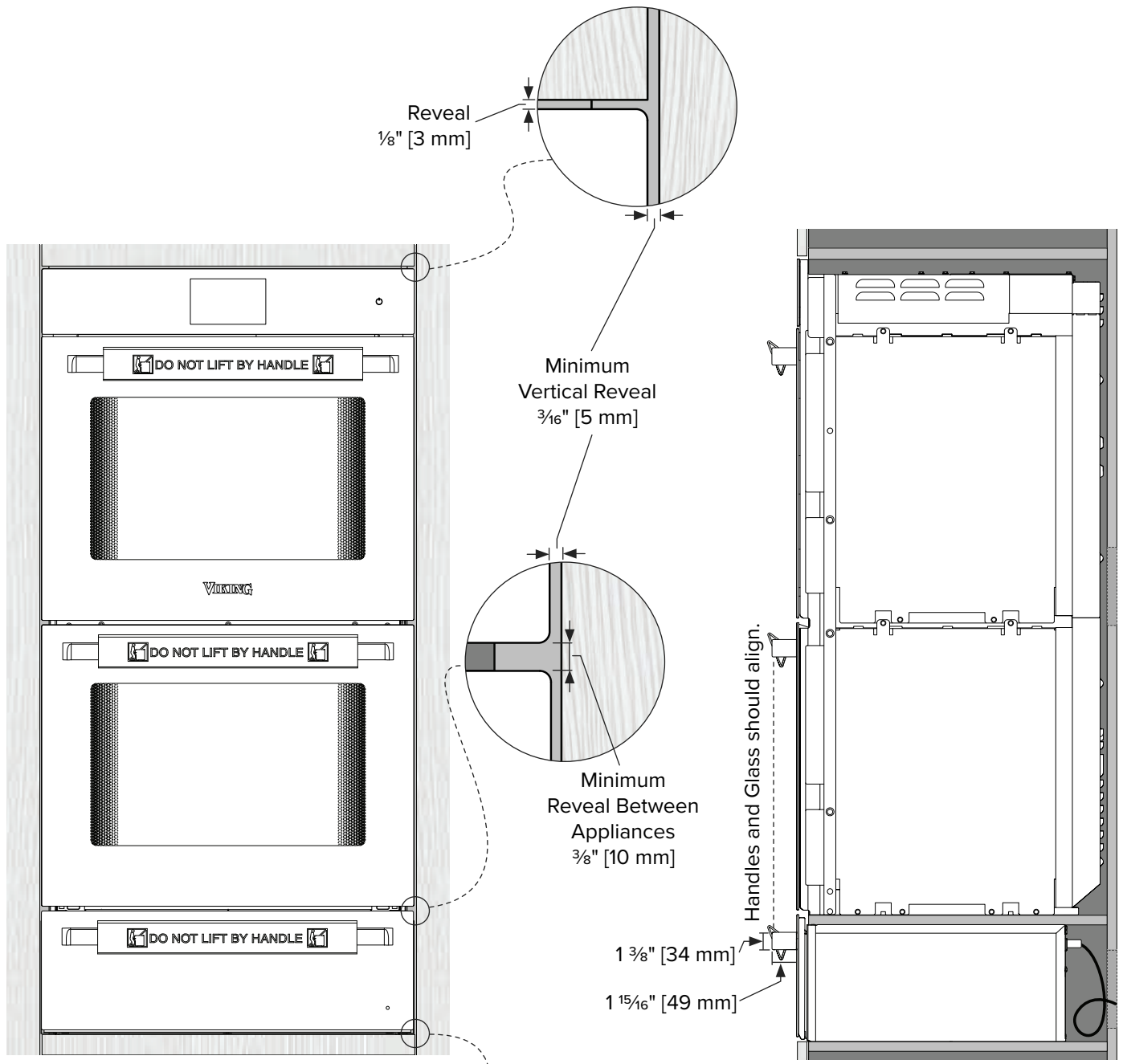
Requirement [205 mm] Minimum

8 1/16"

Floor

Side

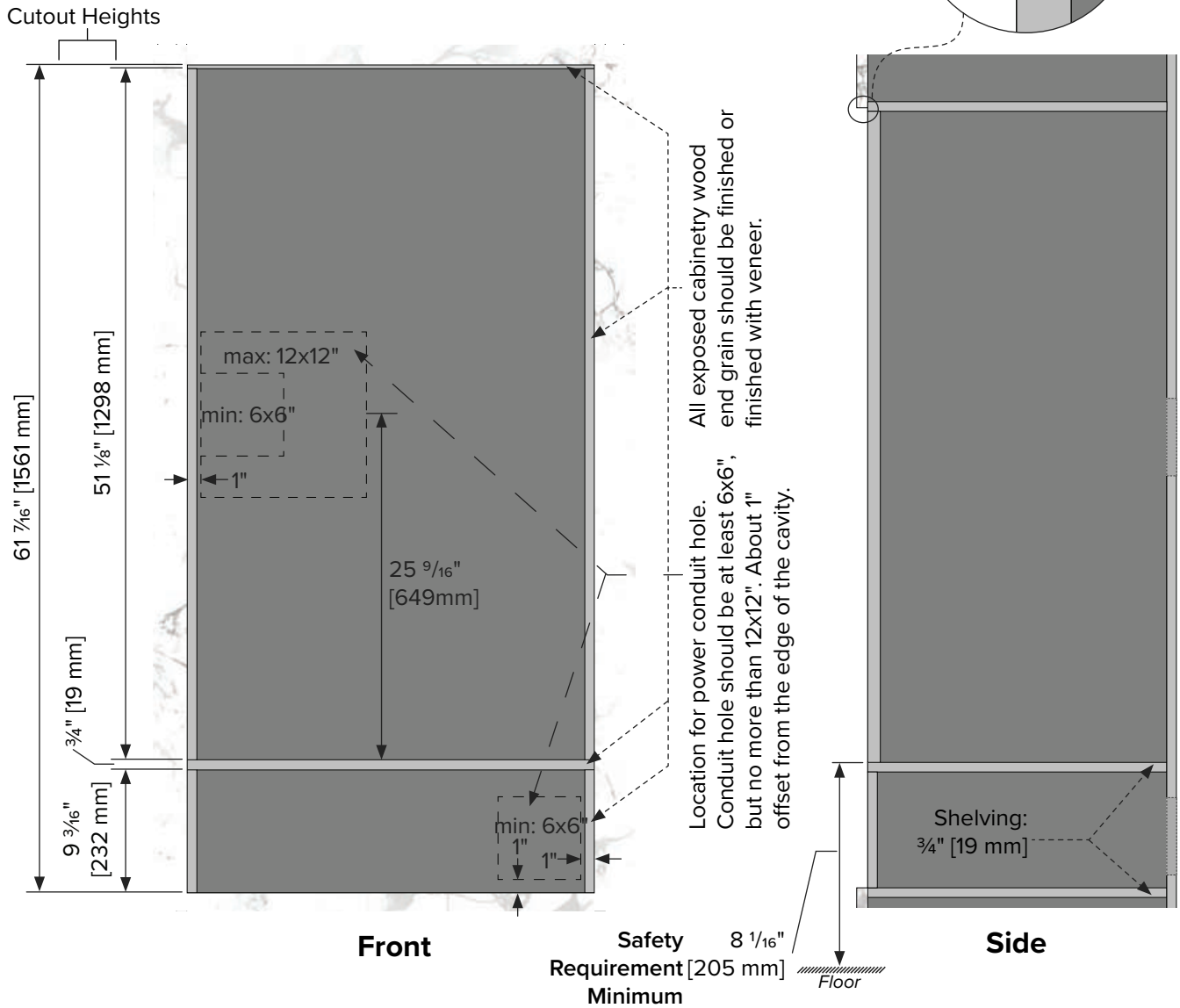
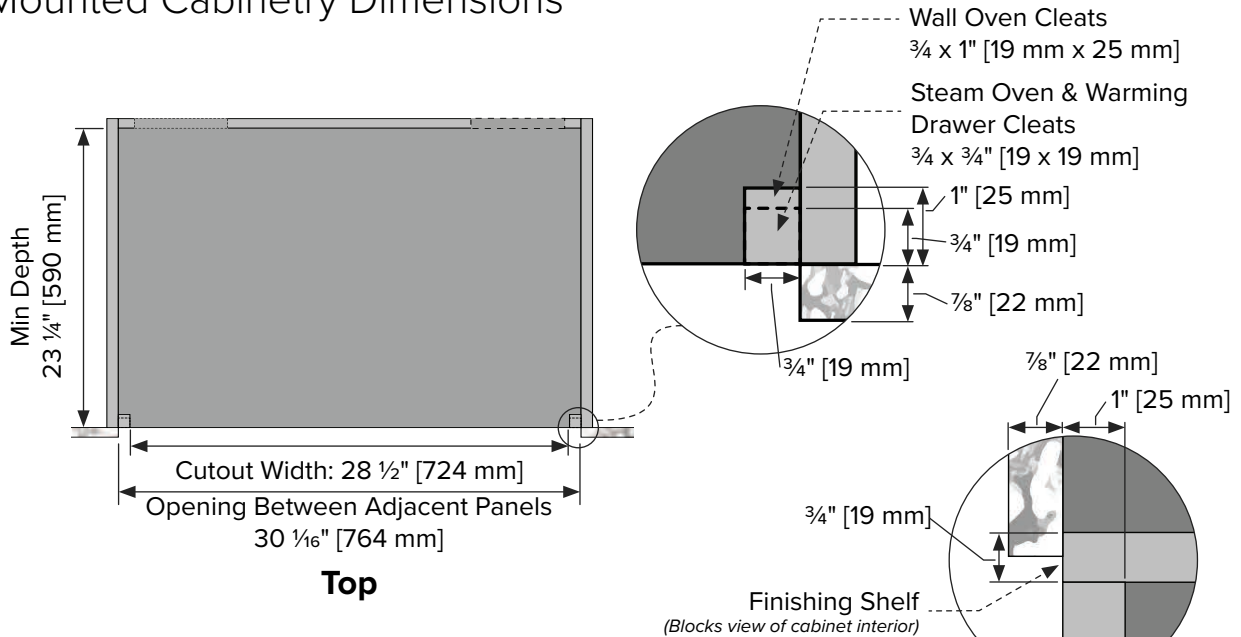
Standard Install Product Reveals



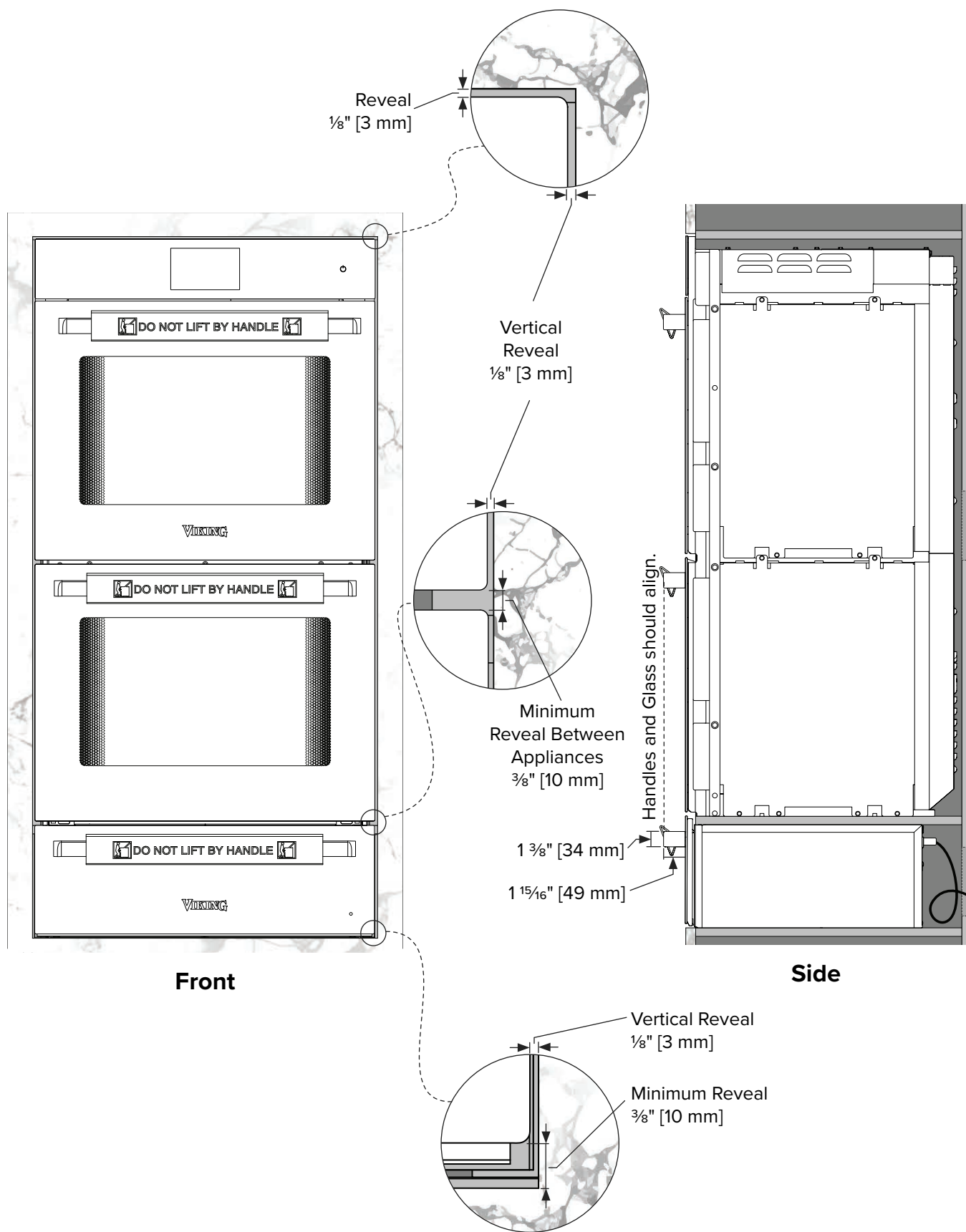
Front

Side

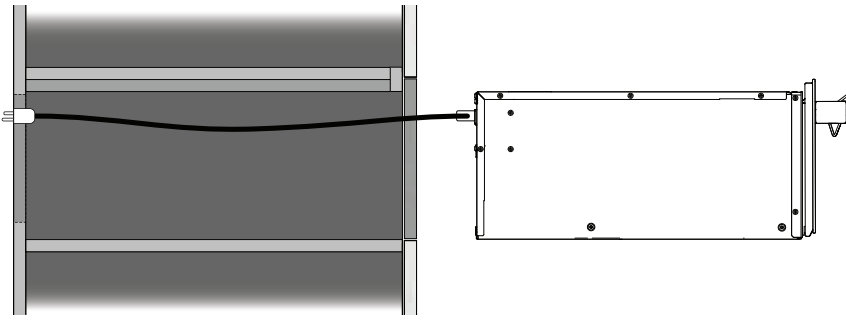
Flush Mounted Cabinetry Dimensions



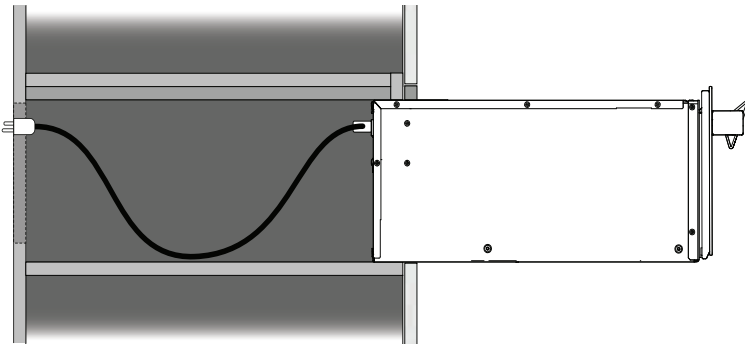
Flush Mounted Install Product Reveals



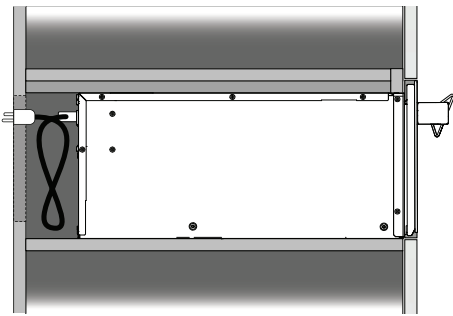
Installation



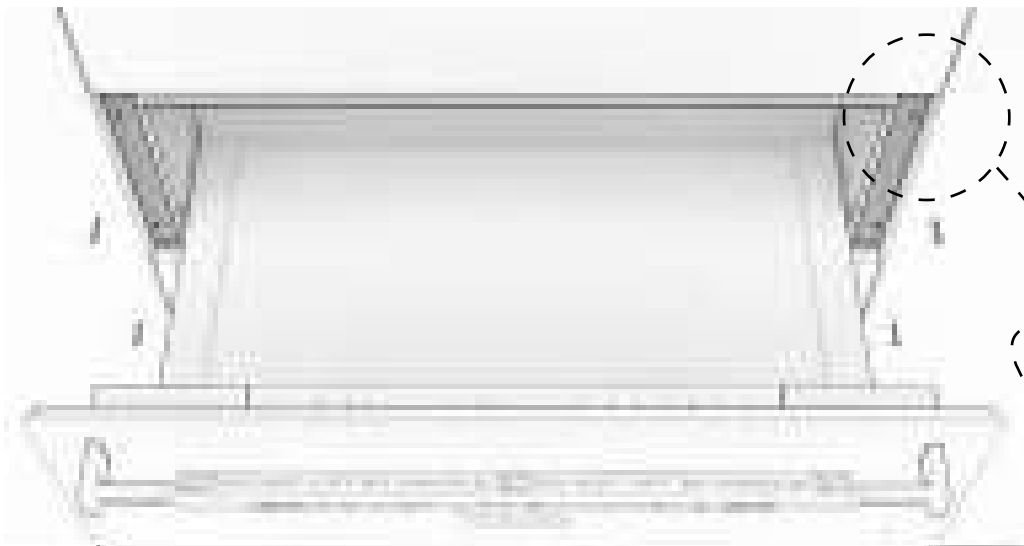
Plug the warming drawer into the power outlet.



Place the warming drawer partially inside the cabinetry cavity.

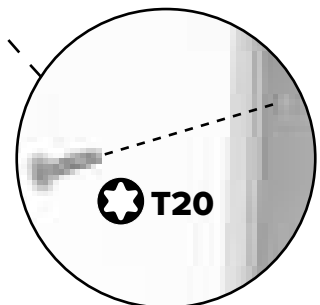


Push the warming drawer back into the cabinetry until the install flanges meet with the cabinetry.



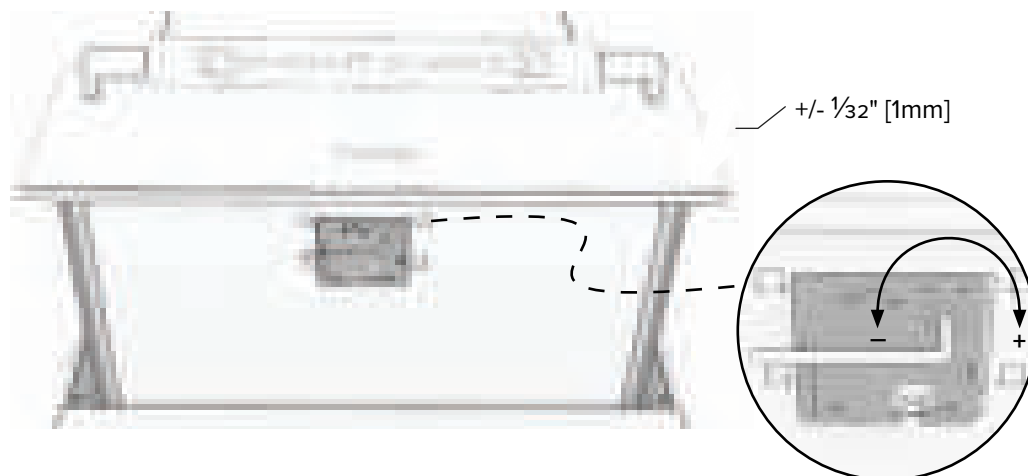
Make sure to center and align the warming drawer with the cabinetry.

Fasten the warming drawer to the cabinetry via the install flanges with the included 4 no.10 T20 star head countersunk screws.



Final Measurement and Adjustment of Glass Front Panel

Adjusting Depth of Front Glass



Use a 6mm L Hex wrench to adjust the depth alignment of the glass to be in line with the cabinetry.

Total adjustable is $\frac{3}{32}$ " (2mm)

Clockwise - Moves glass panel backwards.

Counterclockwise - Moves glass panel forwards.

Adjusting Height of Front Glass

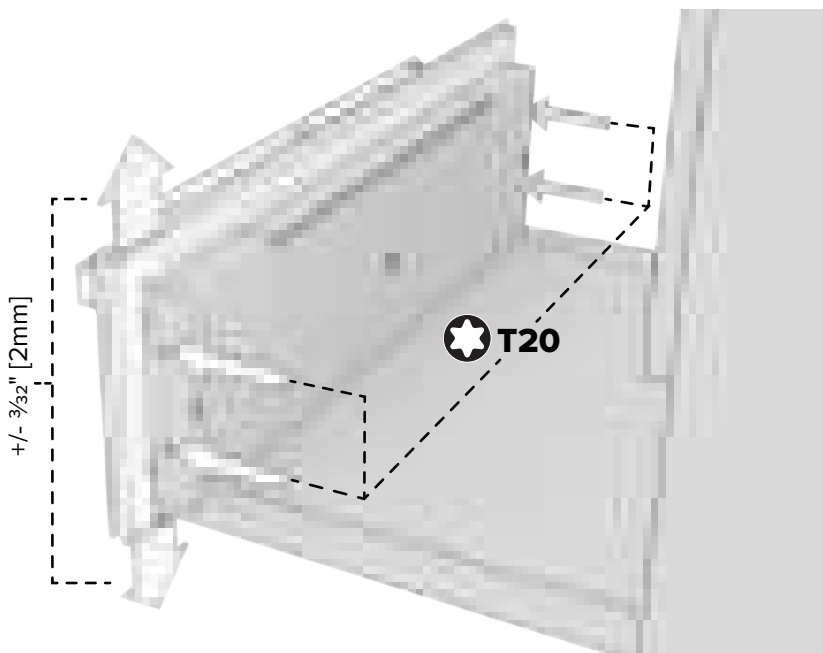
Pull out drawer fully and slightly loosen the four screws on either side of the control panel.

Only loosen the screws enough to let the Front Glass Panel to move with applied pressure. This will help in applying only minor adjustments.

Using a Bubble Level, adjust the height of both sides of the Front Glass Panel, and ensure that the edge of the glass is parallel with the surrounding edges.

Re-tighten by hand all four screws once desired alignment has been achieved. Do not over tighten by using a drill or other mechanical means. Overtightening may result in damage to the connecting material.

Maximum force allowed is 17.2 lbs (2 Nm).





Final Install Checklist

Read all installation instructions in this manual to see if the unit has been correctly installed before use.

Ensure that:

- The warming drawer is level and securely fitted to the cabinetry.
- Any internal packaging has been removed from the drawer.
- The isolating switch is accessible by the customer.
- The bottom shelf can fully support the total weight of the combined appliances.

Test Operation:

- Open the drawer.
- Press the  power button to turn the warming drawer on.
- Shut the drawer.
- After .5 - 1 minute, open the drawer to feel the internal surfaces of to see if it is slightly warmed.
- Press the  power button to turn the warming drawer off and shut the drawer.

Notes

USE & CARE

Welcome and Thank You

We would like to extend a warm welcome and express our sincere gratitude for your recent purchase of a new warming drawer from Viking Range. We are delighted that you have chosen our product to enhance your kitchen experience.

At Viking Range, we take great pride in delivering high-quality appliances that combine innovative technology with exceptional craftsmanship. Our warming drawers are designed to provide you with the utmost convenience and efficiency, ensuring that your meals are always served at the perfect temperature.

In this user manual, you will find detailed instructions on how to make the most of your new warming drawer. We have included step-by-step guides, helpful tips, and important safety information to ensure a seamless and enjoyable experience.

Should you have any questions or require assistance, please do not hesitate to reach out to our dedicated customer support team. We are here to help you get the most out of your Viking Range warming drawer.

Once again, thank you for choosing Viking Range. We are confident that your new warming drawer will exceed your expectations and become an indispensable addition to your culinary endeavors.

Register Your Product

Please visit the Viking Range's website (vikingrange.com/register) to register your product and create a *My Viking* account to enjoy these benefits:

- Record your purchases with the ability to track your product information online.
- Have immediate access to your serial numbers, installation dates, and Use & Care manuals.
- View and purchase product accessories designed for your registered products.
- Ability to sign up for periodic emails with new product information, exciting new promotions, recipes and more.

Register now at vikingrange.com/register or complete and return the included registration card.

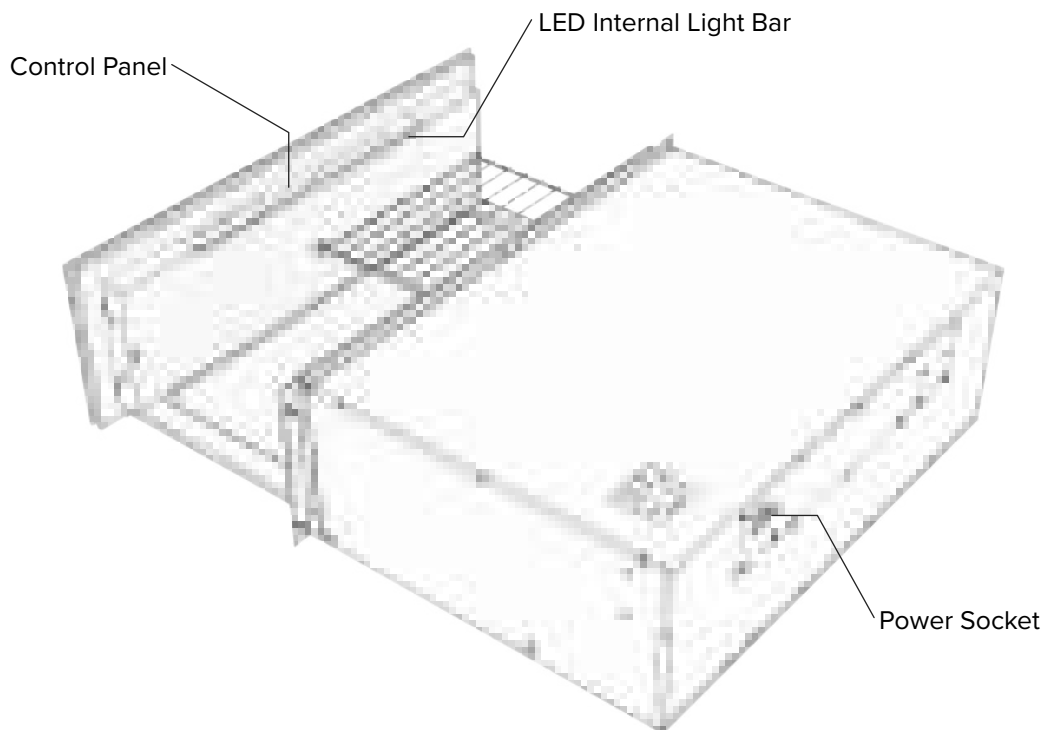
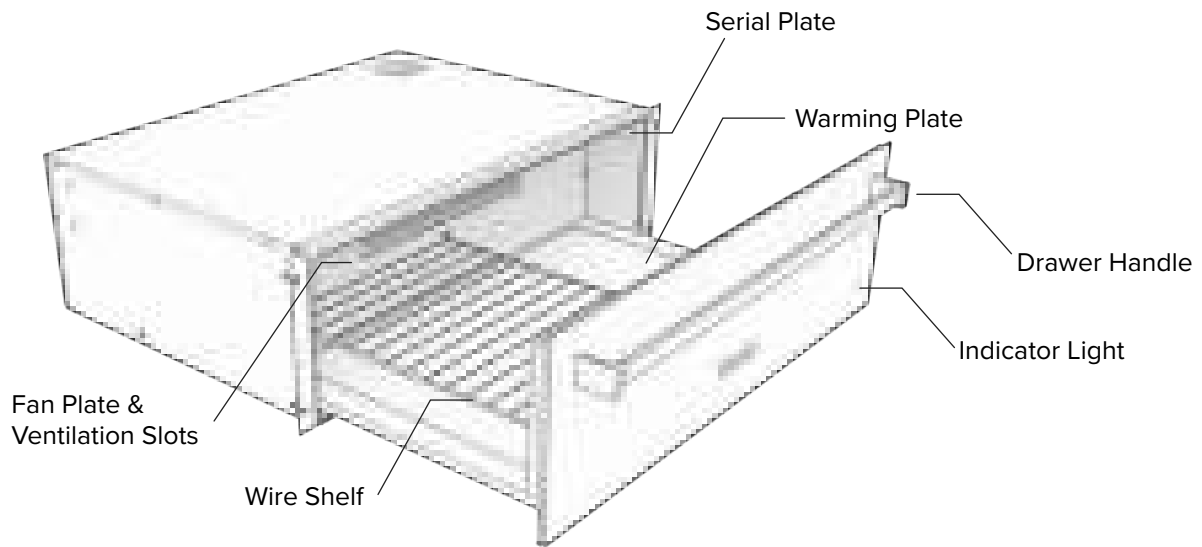
How to Avoid Damage to Your Appliance

- Do not use objects that can rust in the warming drawer.
- Using knives or cutting wheels will cause visible damage to the glass heating surface.
- Avoid overloading or applying too much weight to the drawer may damage the warming drawer's drawer slides. Maximum load is 55lbs (25kg).
- To prevent any possibility of corrosion, allow the drawer to ventilate after use. This is particularly important after performing a warming cycle that causes a lot of steam.
- When cleaning the appliance, to prevent water ingress into electrical components, do not pour or spray liquid on or around the appliance. Instead use a damp cloth.
- Avoid placing uncoated ceramic dishes or sharp metal directly on the Warming Plate as these materials may scratch or gouge the glass surface.

How to Avoid Damage to the Black Chrome Handle

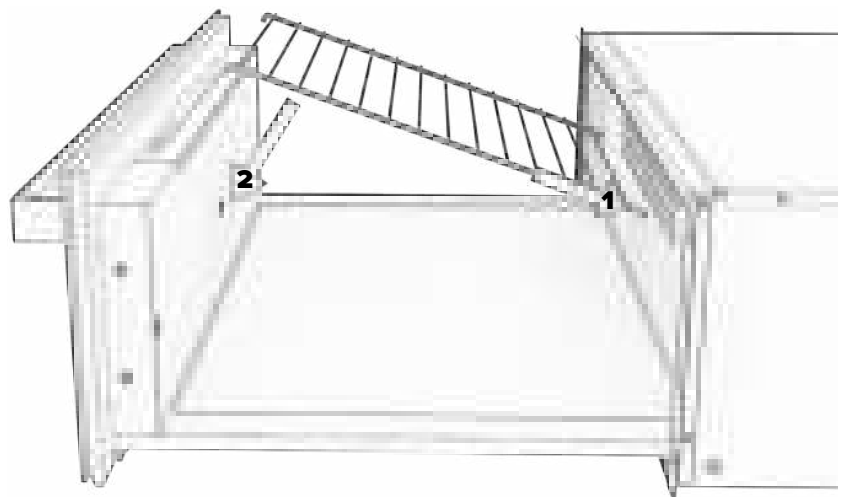
- Only use very gentle cleaners or water.
- Only use microfiber cloths.
- Using paper towels or rough cloths for cleaning will leave scratches that are very noticeable on Black Chrome finishes.

Features & Accessories

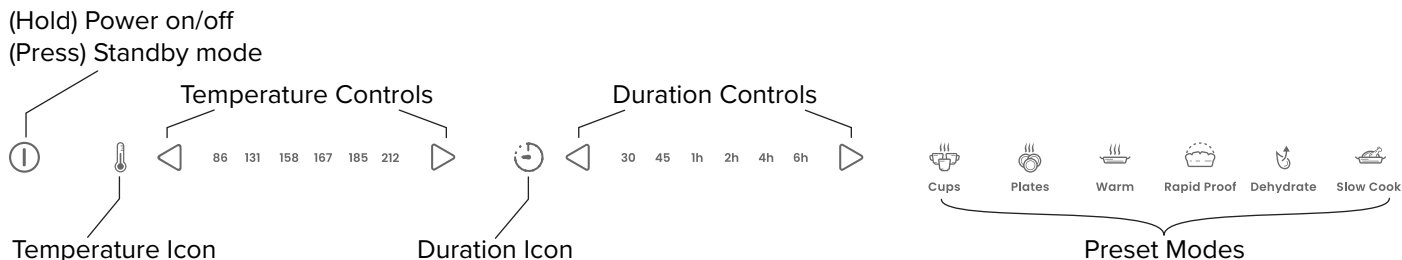


The Wire Shelf can be inserted on either the left or the right side of the warming drawer.

The Wire shelf is beneficial for adding extra space for food dishes or ensuring optimal airflow around foods being dehydrated.



Control Panel Controls



Using the Controls

This warming drawer uses a capacitive touch interface, like your smart phone. No pressure is needed to activate the controls.

To operate, please make sure that your finger is making enough contact with the control icon (button location) and is held long enough to hear a beep.

Please be aware that wet fingers or a wet control interface will likely cause the controls to behave erratically. Please be sure when operating the warming drawer that both your hands and the control interface are clean and dry.

Operating the Warming Drawer

Standby Mode

- The warming drawer automatically powers on into Standby Mode when it is plugged in.
- The Power button being dimly lit indicates that the warming drawer is in Standby Mode.
- Standby Mode is a low power mode that allows the drawer to quickly resume full functionality for your convenience.

General Operating Cycle

1. **WAKE UP** - Touch the Power button to wake up the drawer out of Standby mode
2. **SELECT PARAMETERS** - Select desired Preset Mode heating function, or desired Temperature and Duration. If no function is selected, the drawer will start at the default setting of 86°F for 30 minutes.
3. **OPERATION** - Heating will start and the indicator light will illuminate once the drawer is fully closed.
 - PAUSE** - Opening the drawer during operation will cause the program to pause. The indicator light will flash.
 - OPERATING INFORMATION** - The current approximate temperature and duration left can be viewed at anytime via the illuminated numbers on the control panel.
 - PARAMETER ADJUSTMENT** - It is possible to adjust the duration and temperature of the drawer at any time during its operation. Preset Modes can be adjusted from the default parameters before or during operation.
4. **CHANGE OPERATION / CANCEL** - To cancel the drawer's operation and/or to change operation to another mode, the drawer must be put to sleep and awoken again via the Power button.
5. **END of OPERATION** - A tone will sound every 10 seconds for a total of 5 times, the Indicator Light will turn off, and power symbol will dim.

Use caution when unloading the drawer, the Warming Plate and its contents will be hot.

NOTE:

- To ensure safety and prevent potential hazards, it is important not to leave the warming drawer unattended for extended periods of time during continuous operation. Prolonged exposure to heat can lead to the drying out of food and even pose a fire risk.
- Rest assured, your warming drawer is designed with a built-in safety feature. After a maximum of 12 hours of continuous operation, the drawer will automatically switch to standby mode, providing an added layer of protection.
- For precise temperature measurement, do not rely on the displayed temperature setting, use a thermometer. The temperature setting indicates the approximate temperature of the glass heating plate. Furthermore, the appliance operates in heating cycles which causes the heat in the drawer to fluctuate.

Explanation of Preset Modes



Cups - Heat circulates from the Warming Plate

- 131°F (55°C) heat is circulated for 30 minutes.
- Heating time will vary based on cup material, thickness, quantity, height, and arrangement.
- Do not block the ventilation slots at the back of the drawer with cups or glasses. It will disrupt airflow and cause uneven heating.
- It takes approximately 30 minutes to heat cups for 6 persons.
- **CAUTION: Burns may occur! The warming plate's surface is extremely hot. Objects located near the edges of the drawer become hotter than those in the center. To safely handle the dishes, always utilize protective gloves or oven mitts.**



PLATES - Heat circulates from the Warming Plate

- 167°F (75°C) heat is circulated for 45 minutes.
- Heating time will vary based on plate material, thickness, quantity, height, and arrangement.
- Spread the dishes evenly across the entire warming plate. Stacking plates will increase the time it takes for them to heat up compared to placing each item individually.
- Do not block the ventilation slots at the back of the drawer with large plates. It will disrupt airflow and cause uneven heating.
- It takes about 45 minutes to heat place settings for six people.



WARM - Heat circulates from the Warming Plate and rear fan

- Preheat the drawer for at least 15 minutes before use.
- 185°F (85°C) heat is produced for 60 minutes.
- Delivers consistent, gentle heat to maintain temperature of cooked food, keeping it hot and ready to serve.
- To prevent spillage, avoid overfilling the drawer. Keep the food from drying out by covering it with a heat-resistant lid or aluminum foil.
- **CAUTION: The WARM mode is for keeping food warm after cooking, not for reheating refrigerated food. Avoid placing hot pans directly on the warming plate to prevent damage. Use WARM mode only for keeping food warm.**



RAPID PROOF - Gentle heat is generated from Warming Plate

- 86°F (30°C) heat is produced for 30 minutes.
- Ideal for bread making or pizza preparation. Creates perfect warm and draft-free environment for proofing dough.



DEHYDRATE - Heat circulates from the Warming Plate and rear fan

- 158°F (70°C) heat is circulated for 4 hours.
- Delivers consistent, gentle low heat for dehydrating and drying food (meat, fruit, vegetables and herbs).
- Perfect for preserving food and making nutritious snacks like beef jerky and fruit leather.
- For optimal results, place the food flat on the wire shelf without overlapping.
- When dehydrating meat, remember to flip it halfway through the cooking time to ensure even drying.
- Store dehydrated food in an airtight container once it has cooled completely.



SLOW COOK - Heat circulates from the Warming Plate and rear fan

- 212°F (100°C) heat is circulated for 6 hours.
- Perfect for adding the final touch to seared meat cooked at a low temperature, such as roast meats, casseroles, stews, and braises.
- Resting the meat before serving is unnecessary when using low temperature cooking. The meat can be carved and served directly from the drawer.

Additional Functions

Delay Start

Delay Start will automatically switch the warming drawer on once the Duration time has reached zero, and then turn off at the end of a cycle.

1. **WAKE UP** - Touch the Power button to wake up the drawer out of Standby mode
2. **SELECT PARAMETERS** - Select desired Preset Mode heating function, or desired Temperature and Duration.
3. **ACTIVATE DELAY START** - Touch and hold the Duration Right Arrow button for 5 seconds (5 clicks will sound) or until the Duration Icon starts flashing to activate the Delay Start function.
4. **ENTER DELAY TIME** - Press the Left and Right Arrow buttons to change the amount of time the operation is delayed.
5. **START DELAY** - Close the drawer to start the Delay Start function. The Indicator Light on the front of the drawer will begin to flash, similar to when the drawer has paused its current operation because it is open.
6. **START OPERATION** - The Indicator Light will illuminate solidly when the Delay Start is finished and the drawer has automatically started its operation.

Sabbath Mode

Sabbath Mode is specifically designed for religious faiths that observe a requirement of refraining from work on the Sabbath. This mode enables the appliance to operate for up to 72 hours without activating the Safety Shut-off and illumination features, except in the case of a malfunction.

1. **WAKE UP** - Touch the Power button to wake up the drawer out of Standby mode
2. **SELECT PARAMETERS** - Select desired Temperature and Duration.
3. **ACTIVATE SABBATH MODE** - Touch and hold the Power button for 10 seconds (10 clicks will sound). The Temperature and Duration Icons flash 3 times to indicate Sabbath Mode activation. All lighting will cease to function at this point.
4. **SABBATH MODE ACTIVE** - The warming drawer will operate for up to 72 hours without activating the Safety Shut-off and illumination features.

Turn off Sabbath Mode.

DEACTIVATE SABBATH MODE - Touch and hold the Power button for 10 seconds and release. The Temperature and Duration Icons flash 3 times to indicate Sabbath Mode deactivation. All lighting will start to function at this point.

Cleaning & Care

- Before performing any routine cleaning or maintenance on the warming drawer, it is important to ensure that the drawer is cool and in Standby Mode. Cleaning the drawer while it is still warm can lead to the evaporation of hard water and chemicals, which may damage the finish of the drawer.
- Do not use the drawer to boil liquids or clean with high pressure or steam. The electrical components are not waterproofed in such a way to protect against excessive moisture.
- Do not use abrasive or caustic cleaning agents, stainless steel cleaner, scouring pads, steel wool, etc., as they can damage the surface.

Cleaning the Exterior

- Do not let any cleaning solution sit. If used, apply and quickly remove. Use a damp soft cloth. Add a drop of liquid hand washing soap to the cloth to address oil and grease.

Cleaning the Interior

- Wipe up any messes in the interior of the drawer immediately. Be careful if the spilled mess is hot.
- The Control Panel, Warming Plate, Ventilation Plate should be cleaned with a damp soft cloth. Add a drop of liquid hand washing soap to the cloth to address oil and grease.

Troubleshooting

If a fault is not listed below or cannot be fixed, please contact Viking Preferred Service.

Issue	Possible Causes	Remedy
Dishes and/or food remain cold.	The appliance is not switched on.	Press the power button to wake up the warming drawer.
	An interruption to the power supply.	Ensure that your warming drawer is securely plugged into both the wall outlet and the back of the drawer itself. Additionally, please check the power supply breaker in your kitchen.
	The drawer is not closed properly.	Verify that the warming drawer is completely closed and that the indicator light is not flashing.
The dishes and/or food are not adequately warm.	Warming duration too short.	Lengthen the warming duration.
	The drawer is not closed properly.	Double-check that the drawer is properly closed and ensure that heat is not escaping around the front of the drawer.
	Temperature is not set high enough.	Select a higher temperature setting.
	Air and heat circulation is not adequate.	Rearrange the layout of the dishes in the drawer.
The indicator light is flashing consistently while the drawer remains closed.	The flashing indicator light confirms that the drawer is securely closed and a delayed start has been scheduled.	To restart, power the drawer off and back on again using the power button. or Close the drawer and let the delay function run its course.
The indicator light is flashing consistently while the drawer is open.	The drawer is open and a operation has paused.	Close the drawer to continue the operation.
The indicator light does not turn on when the drawer is operating.	The Sabbath mode is activated.	Deactivate the Sabbath mode by holding the Power button for 10 seconds.
	Pilot lamp is defective.	Contact Viking Preferred Service.
The Control Panel does not respond to touch.	The Sabbath mode is activated.	Deactivate the Sabbath mode by holding the Power button for 10 seconds.
	The Control Panel is faulty.	Contact Viking Preferred Service.
	An interruption to the power supply.	Ensure that your warming drawer is securely plugged into both the wall outlet and the back of the drawer itself. Additionally, please check the power supply breaker in your kitchen.
The drawer cannot be opened or closed.	The push-pull mechanism is faulty.	Contact Viking Preferred Service.
The internal LED light strip does not illuminate.	An interruption to the power supply.	Ensure that your warming drawer is securely plugged into both the wall outlet and the back of the drawer itself. Additionally, please check the power supply breaker in your kitchen.
	The LED strip is defective	Contact Viking Preferred Service.

Cooking Charts

The cooking charts provided are for guidance only. Please consult your recipe or the food packaging and be ready to adjust the cooking times and settings as needed.

General Use Cases

Use Case	Cooking Preset	Duration	Note
Melting Chocolate	Cups	30 minutes	Use heatproof cookware and leave uncovered.
Batch Cooking (Toast, Pancakes, Tortillas)	Warm	1 hour	Use heatproof cookware and cover.
Keeping Bread Warm	Dehydrate	30 minutes	Place food directly on warming plate. Leave uncovered
Delicate Defrost (cream cakes, butter, cheese, etc)	Rapid Proof	30 min - 1 hour	Leave in the packaging
Frozen Food Defrost (meat, cake, etc)	Cups	30 minutes	Leave in the packaging

Dry / Dehydrate Function

Use Case	Cooking Preset	Duration	Note
Fruit (Apple, Pear, Banana, Peach, Pineapple, Apricot, etc.)	Dehydrate	4 - 6 hours	Place directly on Wire Shelf and leave uncovered.
Vegetables (Carrots, Peas, Beans, Mushrooms, tomatoes, etc.)	Dehydrate	4 - 6 hours	Place directly on Wire Shelf and leave uncovered.
Root (Ginger)	Dehydrate	4 - 6 hours	Place directly on Wire Shelf and leave uncovered.
Herbs (Rosemary, Dill, Thyme, Bay Leaves, Oregano, etc)	Dehydrate	2 - 4 hours	Place directly on Wire Shelf and leave uncovered.

Rapid Proof Function

Use Case	Cooking Preset	Duration	Note
Bread / Pizza Dough	Rapid Proof	30 min	Place in heatproof cookware and cover with a damp cloth.
Yogurt	Rapid Proof	5 - 8 hours	Leave covered with a lid. Use heat resistant glass cookware or ramekins.
Dissolving Gelatin	Rapid Proof	30 min	Use heatproof cookware, leave uncovered

Wellness

Use Case	Cooking Preset	Temperature	Duration	Note
Homemade heating Pad (Wheat, Rice, Corn)	Slow Cook	212°F (100 °C)	45 - 60 min	Place directly on the Warming Plate. Slow heating reduced risk of deterioration or burning
Heating Towels	Plates	158 °F - 185°F (70 - 85 °C)	45 - 60 min	Dampen cloths or towels, roll them, and place them directly on the Warming Plate. <u>Only use natural materials. Synthetic material will melt onto the Warming Plate.</u>

Low Temperature Cooking

The meat must be pre-seared before cooking at low temperatures.

The temperature of 215°F (102°C) is ideal for low-temperature cooking and achieving a perfectly seared finish on small to medium-sized, high-quality cuts of meat such as beef, lamb, pork, and veal. It is important to note that the thickness of the meat should not exceed 2³/₈" (6 cm). For larger pieces of meat, we suggest using an oven or steam oven.

By cooking meat at a lower temperature for a longer duration, you can achieve a tender and juicy result.

Prepare Your Meat

- Use suitable glass, porcelain or ceramic cookware.
- Preheat the drawer containing the cookware at setting level .
- Rapidly heat a little fat in a pan.
- Sear the meat.
- Put the meat in the preheated cookware in the drawer to cook thoroughly. Cover the cookware with a lid.

The following times refer to the process of sealing meat in hot fat.

Dish	Cooking Preset	Weight	Searing Time (min/side)	Internal Temp	Cook Time in Warming Drawer
Steak					
Rare	Slow Cook	3.5 - 10.5 oz (100 - 300g)	1 - 2	120°F (50°C)	30-60 minutes
Medium Rare	Slow Cook	3.5 - 10.5 oz (100 - 300g)	2 - 3	130°F (55°C)	30-60 minutes
Medium	Slow Cook	3.5 - 10.5 oz (100 - 300g)	3	140°F (60°C)	30-60 minutes
Medium Well	Slow Cook	3.5 - 10.5 oz (100 - 300g)	3 - 4	150°F (65°C)	30-60 minutes
Well Done	Slow Cook	3.5 - 10.5 oz (100 - 300g)	4 - 5	160°F (70°C)	30-60 minutes
Beef Filet					
Medium	Slow Cook	2 - 4 lbs (1 -3 kg)	5 - 8	130°F (55°C)	4 - 6 hours
Lamb Shoulder					
Medium	Slow Cook	2 - 4 lbs (1 -3 kg)	5 - 8	130°F (55°C)	4 - 6 hours
Boned Ham	Slow Cook	2 - 4 lbs (1 -3 kg)	5 - 8	150°F (65°C)	4 - 6 hours

Meat cooked at low temperature is not as hot as conventionally cooked meat. Serve sauces very hot. Place plates in the warming drawer during the last 45–60 minutes of cooking.

To keep low-temperature cooked meat warm, switch back to 165°F (74°C) after cooking. Small pieces can stay warm for up to 45 minutes, large pieces for up to 2 hours.

Service Information

Only authorized replacement parts may be used in performing service on the appliance.

DO NOT repair or replace any part of the appliance unless specifically recommended in the manual. All other servicing should be referred to a qualified technician.

Contact Viking Range, LLC, 1-888-(845-4641), for the nearest service parts distributor in your area or write to:

Viking Range, LLC
PREFERRED SERVICE
111 Front Street
Greenwood, Mississippi 38930 USA

Make a note of the information below. You'll need it if service is ever required. The model and serial number of your warming drawer can be found on the serial plate inside on the right-hand side of the warming drawer's outer shell. (See the Features & Accessories section for location image)

Model no. _____

Serial no. _____

Date of purchase _____

Date installed _____

Dealer's name _____

Address _____

If service requires installation of parts, use only authorized parts to insure protection under the warranty.

These installation instructions should remain with the unit for future reference.

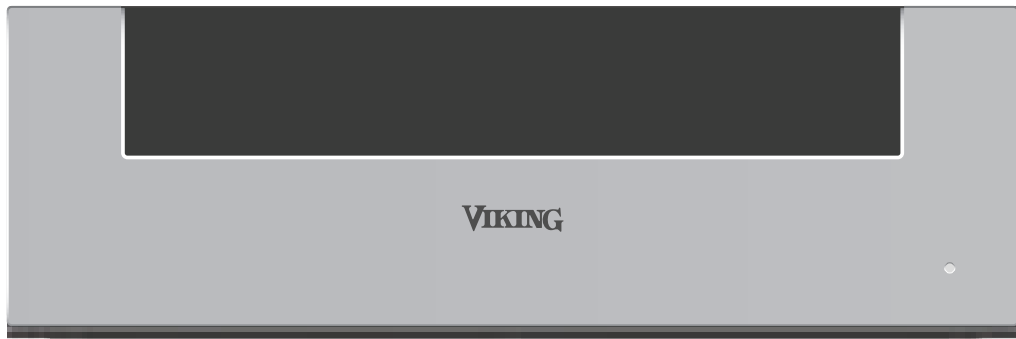
Viking Range, LLC
111 Front Street
Greenwood, Mississippi 38930 USA
(662) 455-1200

For product information, call 1-888-845-4641
or visit our website at vikingrange.com

Intentionally Left Blank

Intentionally Left Blank

V I K I N G
R V L



Manual de instalación y uso

RVL - 30" Cajón calentador
MWWDE6301BG | MWWDE6301SS



Índice

Instrucciones importantes de seguridad. . .	ES-43	Especificaciones de los armarios de 2 estantes -	
Seguridad.	ES-44	Horno doble y cajón calentaplato (<i>MVDOE6301 &</i>	
Instalación segura	ES-45	<i>MVWDE6301</i>)	ES-62
Instalación del producto.	ES-46	Dimensiones de los armarios para instalación	
Preparación para la instalación.	ES-46	estándar	ES-62
Instaladores, es su responsabilidad....	ES-46	Distancias para la instalación estándar del producto	
Dimensiones y especificaciones del producto . ES-	48	ES-63
Requisitos de potencia	ES-48	Dimensiones de los armarios empotrados . . .	ES-64
Dimensiones.	ES-49	Distancias para la instalación empotrada del	
Especificaciones del armario - IndependienteES-50		producto	ES-65
Dimensiones del armario - Espacio del armario sin el		Instalación	ES-66
producto	ES-50	Medición final y ajuste del panel frontal de cristal	
Dimensiones de instalación del producto - Espacio		67	
del armario con el producto a la vista.	ES-51	Lista de comprobación de la instalación final ES-68	
Dimensiones de los armarios empotrados - Espacio		Notas	ES-69
del armario sin el producto.	ES-52	Uso y cuidado.	ES-70
Dimensiones de instalación del producto empotrado		Bienvenido y gracias.	ES-70
- Espacio del armario con el producto	ES-53	Registre su producto	ES-70
Especificaciones de los armarios de 3 estantes -		Cómo evitar daños en su artefacto	ES-70
Horno de pared simple, horno de vapor y cajón		Características y accesorios	ES-71
calentaplato(<i>MVSOE6301 & MVSOC6301 &</i>		Controles del panel de control	ES-72
<i>MVWDE6301</i>)	ES-54	Uso de los controles.	ES-72
Dimensiones de los armarios para instalación		Funcionamiento del cajón calentador	ES-72
estándar	ES-54	Modo de espera.	ES-72
Distancias para la instalación estándar del producto		Ciclo general de funcionamiento	ES-72
.	ES-55	Explicación de los Modos Predeterminados ES-73	
Dimensiones de los armarios empotrados . . .	ES-56	Funciones adicionales.	ES-74
Distancias para la instalación empotrada del		Inicio diferido	ES-74
producto	ES-57	Modo Sabbath.	ES-74
Especificaciones de los armarios lado a lado		Limpieza y cuidados	ES-74
-Horno de pared simple, horno de vapor y cajón		Solución de problemas	ES-75
calentaplatos (<i>MVSOE6301 & MVSOC6301 &</i>		Tablas de cocción	ES-76
<i>MVWDE6301</i>)	ES-58	Casos de uso general	ES-76
Dimensiones de los armarios para instalación		Función Secar / Deshidratar	ES-76
estándar	ES-58	Función de fermentación rápida.	ES-76
Distancias para la instalación estándar del producto		Para confort	ES-76
.	ES-59	Cocción a baja temperatura	ES-77
Dimensiones de los armarios empotrados . . .	ES-60	Prepare la carne.	ES-77
Distancias para la instalación empotrada del		Información sobre el servicio	ES-78
producto	ES-61		

Instrucciones importantes de seguridad

¡Lea y siga!

⚠ ADVERTENCIA

Si no se sigue al pie de la letra la información contenida en este manual, puede producirse un incendio o una explosión que provoque daños materiales, lesiones físicas o incluso la muerte.

⚠ ADVERTENCIA

Peligros o prácticas inseguras que PROVOCARÁN lesiones personales graves o la muerte.

⚠ PELIGRO

Peligros o prácticas inseguras que PODRÍAN provocar la muerte o lesiones personales graves.

⚠ PELIGRO

Peligros o prácticas inseguras que PODRÍAN provocar lesiones personales leves.

Todos los mensajes de seguridad identificarán el peligro, le indicarán cómo reducir la posibilidad de lesiones y lo que puede suceder si no se siguen las instrucciones.

⚠ ADVERTENCIA

- Para reducir el riesgo de incendio, descarga eléctrica o lesiones personales, los trabajos de instalación y el cableado eléctrico deben ser realizados por personal cualificado de acuerdo con todos los códigos y normas aplicables, incluidas las condiciones ignífugas.
- **PELIGRO DE DESCARGA ELÉCTRICA** - Este artefacto está equipado con un cable de alimentación de 3 clavijas con un enchufe con toma a tierra para su protección contra el riesgo de descarga eléctrica y debe enchufarse directamente en un receptáculo con toma a tierra adecuada. Utilice únicamente el cable de alimentación suministrado con la unidad.
- Para evitar posibles daños en los armarios y sus acabados, utilice únicamente materiales que no se decoloren ni se desprendan y que resistan temperaturas de hasta 194°F (90°C). Debe



utilizarse un adhesivo resistente al calor si el producto se va a instalar en armarios laminados. Consulte a su constructor o proveedor de armarios para asegurarse de que los materiales cumplen estos requisitos.



- **PELIGRO DE VUELCO** - Este producto puede volcarse. Mantenga a los niños alejados y tenga cuidado. El incumplimiento de este consejo puede provocar lesiones. El cajón debe fijarse en su sitio con los tornillos suministrados.
- **PELIGRO DE CORTE** - La falta de precaución puede provocar lesiones. Cuidado: algunos bordes pueden ser afilados. No introduzca los dedos en el cajón al cerrarlo.
- No utilice el artefacto para un uso distinto al previsto.



⚠ PRECAUCIÓN

- Si observa que puede salir humo del propio artefacto o del interior del cajón calentador, manténgalo cerrado y desconéctelo de la red eléctrica.
- Los accesorios se calientan al usar el cajón calentador. Utilice guantes protectores o paños para horno.
- Dado que existe riesgo de lesiones, tenga cuidado de mantener los dedos alejados de las aberturas y

bordes del cajón al cerrarlo. Debe tenerse especial cuidado cuando haya niños cerca.

- ¡Si el cajón está abierto, existe peligro de tropezar o lesionarse! No se sienta ni descansa sobre el cajón ni lo utilice como superficie de almacenamiento.
- Los materiales de embalaje, como el plástico y el poliestireno, pueden ser peligrosos para los niños. ¡Peligro de asfixia! Mantenga el material de embalaje fuera del alcance de los niños.

GUARDE ESTAS INSTRUCCIONES

GUARDE ESTAS INSTRUCCIONES

Seguridad

- NO retire las etiquetas, advertencias o placas permanentes adheridas al producto. Esto puede anular la garantía.
- Deben respetarse todos los códigos y ordenanzas locales y nacionales. La instalación debe ajustarse a los códigos locales o, en ausencia de estos, al Código Eléctrico Nacional, ANSI/NFPA-70 - última edición.
- El instalador debe dejar estas instrucciones al consumidor, quien debe conservarlas para uso del inspector local y para una referencia futura.
- Para evitar descargas eléctricas y daños en el artefacto, no sumerja el cable ni el enchufe en agua u otros líquidos. Evite derramar grandes cantidades de líquido sobre o alrededor del artefacto, ya que podría provocar cortocircuitos, dañar los componentes electrónicos y convertirse en un peligro de incendio. En ningún caso utilice un limpiador de vapor para la limpieza del artefacto.
- Este artefacto puede ser utilizado por niños a partir de 8 años y por personas con capacidades físicas, sensoriales o mentales reducidas, o con falta de experiencia y/o conocimientos, siempre que estén supervisados o hayan recibido instrucciones sobre el uso seguro del artefacto y hayan comprendido los peligros que conlleva. Los niños no deben jugar con el artefacto. La limpieza y el mantenimiento no deben ser realizados por niños sin supervisión.
- El artefacto y sus piezas internas se calientan durante el uso. Tenga cuidado de no tocar los elementos de calentamiento. Mantenga alejados a los niños pequeños.
- Si la placa calentadora está partida, apague inmediatamente el artefacto y desenchúfelo de la corriente para evitar el riesgo de descarga eléctrica.
- El artefacto está diseñado para un uso hogareño. ¡En ningún caso flambee o cocine alimentos con mucha grasa en el cajón calentador! No se asume ninguna responsabilidad por los daños causados por un uso inadecuado o una manipulación incorrecta.
- ¡Nunca utilice el aparato para secar animales, tejidos o papel!
- No utilice el artefacto como calentador de ambientes.
- Cualquier reparación, modificación o manipulación del artefacto solo puede ser realizada por el fabricante, por el servicio técnico preferente de Viking o por una persona con cualificación similar. Las reparaciones realizadas de forma incorrecta pueden causar lesiones graves, daños en el artefacto y en los accesorios, así como afectar al funcionamiento del mismo. Si el artefacto no funciona correctamente o si es necesaria una reparación, siga las instrucciones indicadas en la sección Solución de problemas, Información de servicio o Garantía. En caso necesario, póngase en contacto con el Servicio Técnico Preferente de Viking.
- Utilice únicamente piezas de repuesto originales.
- Conserve este manual de instrucciones para futuras consultas.
- El uso de accesorios no recomendados por el fabricante puede causar lesiones.
- Extreme las precauciones al mover un artefacto que contenga aceite caliente u otros líquidos ardientes.
- No utilice objetos que puedan oxidarse en el cajón calentador.
- El uso de cuchillos o discos de corte en el cajón dañará visiblemente la superficie.
- Para evitar la corrosión, deje el cajón abierto hasta que el espacio de cocción se haya enfriado.
- Cuando limpie el artefacto, asegúrese de que no ingrese agua en su interior. Utilice un paño húmedo. No rocíe el exterior ni el interior del artefacto con agua. Si ingresa agua en el artefacto, se producirán daños.
- Nunca fuerce el cajón para abrirlo.
- No lo utilice al aire libre

GUARDE ESTAS INSTRUCCIONES

GUARDE ESTAS INSTRUCCIONES

Instalación segura

- El artefacto debe ser instalado únicamente por personal cualificado.
- Si el cable de alimentación del artefacto está dañado, debe ser sustituido por el fabricante, por el Servicio Técnico Preferente de Viking o por una persona con cualificación similar para evitar situaciones de peligro.
- Cada paso debe realizarse y comprobarse íntegramente en el orden especificado. Antes de utilizar artefactos totalmente empotrados, el frente del armario debe estar montado correctamente, ya que las partes metálicas que se encuentran por detrás de la parte frontal del armario se calientan durante el funcionamiento.
- Las conexiones eléctricas deben estar hechas por personal calificado de acuerdo a los códigos locales o, en ausencia de estos, al Código Eléctrico Nacional, ANSI/NFPA-70 -- última edición.
- Un artefacto con enchufe solo puede conectarse a un tomacorriente con contacto de puesta a tierra de acuerdo a los códigos locales o, en ausencia de estos, al Código Eléctrico Nacional, ANSI/NFPA-70 -- última edición. Los interruptores, los dispositivos de enchufe y tomacorriente, los disyuntores y los cortacircuitos fusibles que sean accesibles después de la instalación están permitidos como dispositivos de aislamiento. La conexión a tierra efectiva y los conductores neutros y de tierra instalados por separado garantizan un funcionamiento seguro y sin fallos. Luego de la instalación, las piezas bajo tensión y los cables con aislamiento básico no deben ser accesibles. Revise las instalaciones antiguas.
- Consulte la placa de identificación para obtener información sobre la tensión necesaria, el tipo de corriente y la protección por fusible.
- Cuando lo combine con otro artefacto, asegúrese de que cada uno de ellos tenga su propio tomacorriente.
- Evite compartir el mismo tomacorriente para evitar el apagado accidental del artefacto.
- No utilice una extensión ni un dispositivo de tomacorriente portátil (por ejemplo, una caja de tomacorriente múltiple) para conectar el cajón a la red eléctrica. Asegúrese de que el cable de alimentación esté colocado de forma que no pueda sufrir daños.
- Solo se puede garantizar una reparación eficaz si es posible desinstalar el artefacto completo en cualquier momento y sin causar daños.
- No haga funcionar ningún artefacto con un cable o enchufe dañado o después de que el artefacto haya funcionado mal o haya sufrido algún tipo de daño.
- Siempre conecte primero el cable de alimentación al artefacto y, a continuación, enchufe el cable de alimentación al tomacorriente. Para desconectarlo, gire el mando del cajón calentador a la posición APAGAR y desenchufe el cable de alimentación del tomacorriente.

GUARDE ESTAS INSTRUCCIONES

INSTALACIÓN DEL PRODUCTO

Preparación para la instalación

Instaladores, es su responsabilidad...

- Cumplir las especificaciones y dimensiones de instalación.
- Instalar correctamente la unidad.
- Retire cualquier envoltura o panel decorativo que impida el mantenimiento de la unidad.
- Asegúrese de tener a mano las herramientas y materiales necesarios para instalar la unidad.
- Disponga de un tomacorriente con conexión a tierra.
- Cualquier instalación que no se ajuste a las especificaciones comentadas en estas instrucciones anulará la garantía del fabricante.

Información sobre el diseño

El cajón calentador puede instalarse en un armario, solo o debajo de otros artefactos como un horno de vapor, un horno de pared, un horno de cocción rápida u otro cajón calentador. El cajón calentador también puede instalarse al lado de otro artefacto, debajo de una mesada o debajo de placas de cocción específicas. Cuando instale esta unidad directamente debajo de otras unidades, hágalo únicamente con productos empotrados de Viking Range, LLC.

IMPORTANTE: Para conocer los requisitos específicos, consulte siempre las instrucciones de instalación incluidas con cada producto.

Accesorios y piezas incluidos

- Rejilla
- 4 tornillos de montaje - Torx 20

Herramientas que puede necesitar

- Broca de 1/8" y taladro eléctrico
- Destornillador Torx 20

Retire el embalaje y los accesorios antes de la instalación

- Si no retira los materiales de embalaje, el artefacto podría resultar dañado.
- Retire el cajón calentador y la caja de accesorios del embalaje. Recicle los materiales que puedan reutilizarse. Deseche los materiales de embalaje de acuerdo con la normativa local sobre eliminación de residuos.
- Compruebe si el cajón calentador presenta daños. No instale el cajón calentador si está dañado. Si el producto está dañado, póngase en contacto con su distribuidor local.
- Abra el cajón y retire todas las piezas de embalaje, los documentos y el estante de accesorios del interior del artefacto.
- Retire la película protectora y las etiquetas de la puerta exterior y del panel de control.
- Localice el paquete de piezas que contiene los tornillos de montaje.

Prepare el lugar de instalación

- Es responsabilidad del instalador cumplir con los códigos locales. Si no se aplican los códigos locales, realice el cableado de acuerdo con el Código Eléctrico Nacional, ANSI/NFPA-70 - última edición.
- El interruptor de desconexión, el disyuntor o el enchufe/receptor de la conexión del cable de alimentación deben ser fácilmente accesibles para el operario.
- Conecte a tierra la unidad de acuerdo con los códigos eléctricos aplicables.

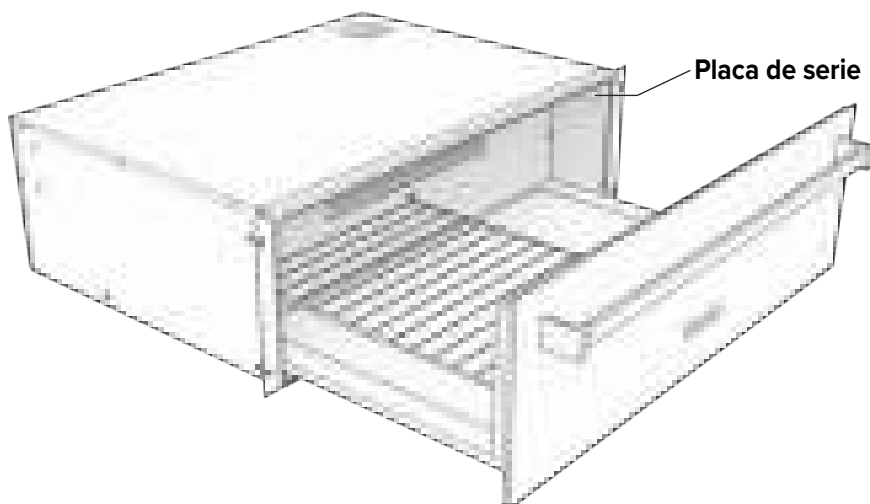
Se deja en blanco intencionalmente

Dimensiones y especificaciones del producto

Requisitos de potencia

Descripción	MVWD6301
Longitud del cable de alimentación	70 7/8" [1800 mm]
Tomacorriente	3 clavijas con toma a tierra
Alimentación	110 VAC, 60 Hz
Servicio	Circuito de 10 amperios
Consumo máximo (Watts)	810 Watts
Consumo mínimo (apagado)	.5 Watts

* El tomacorriente debe estar conectado a tierra y situado a menos de 1 metro del centro del producto.



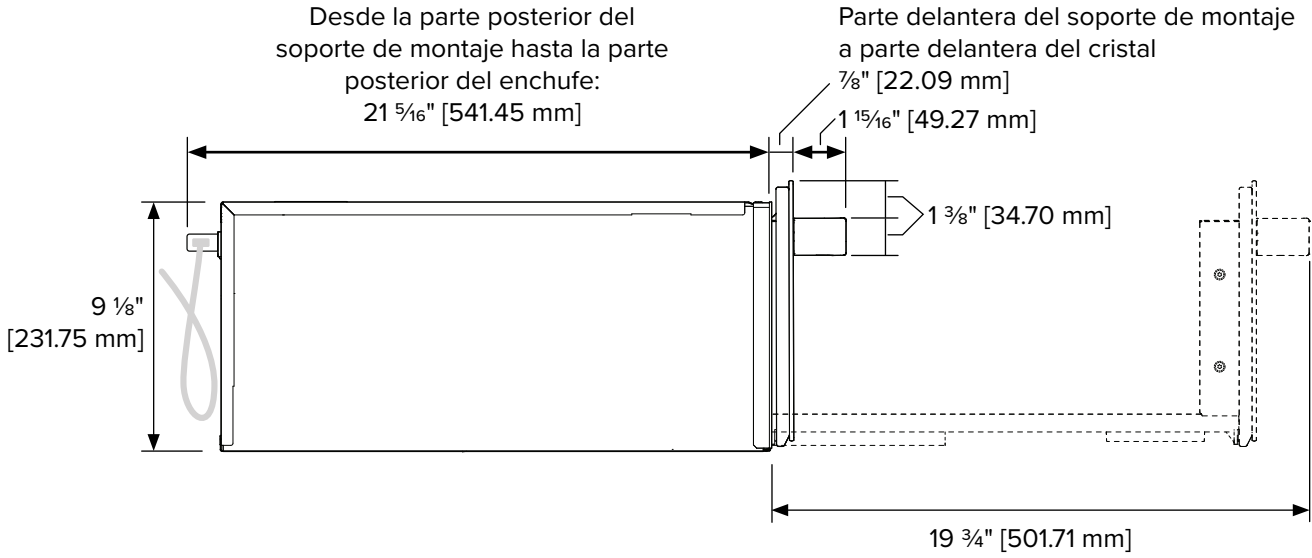
Placa de serie

- La placa de serie se puede ver cuando el cajón está completamente abierta.
- La placa de serie contiene información sobre los requisitos de energía e información sobre piezas de repuesto.

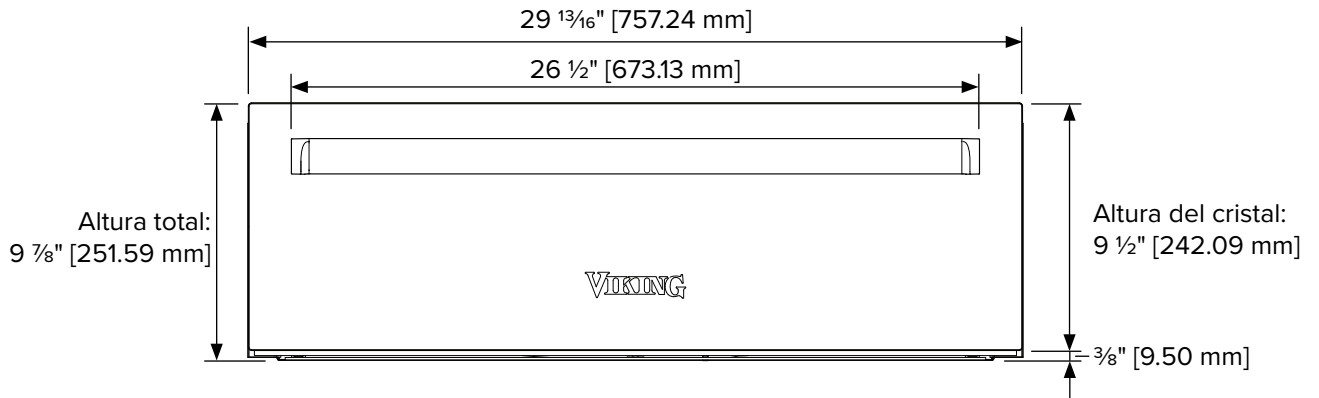
Dimensiones

Descripción	MVWD6301
Ancho	Total 29 13/16" [757.24 mm]
	Ancho entre los orificios de montaje del armario 29 1/8" [740.00 mm]
	Ancho de la carcasa del cajón calentador 27 5/8" [706.74 mm]
Altura	Total 9 7/8" [251.59 mm]
	Altura del cristal frontal 9 1/2" [242.09 mm]
	Altura de la cubierta del cajón calentador 9 1/8" [231.75 mm]
Profundidad	Total 24 1/8" [612.81 mm]
	Profundidad del cajón en el armario 21 5/16" [541.45 mm]
	Con el cajón totalmente extendido 41 1/16" [1043.16 mm]
Interior	Ancho interior 26 13/16" [681.14 mm]
	Altura interior 7 3/8" [186.97 mm]
	Profundidad interior 16 1/8" [410.15 mm]
Peso aproximado del envío	75 lbs [34.02 kg]

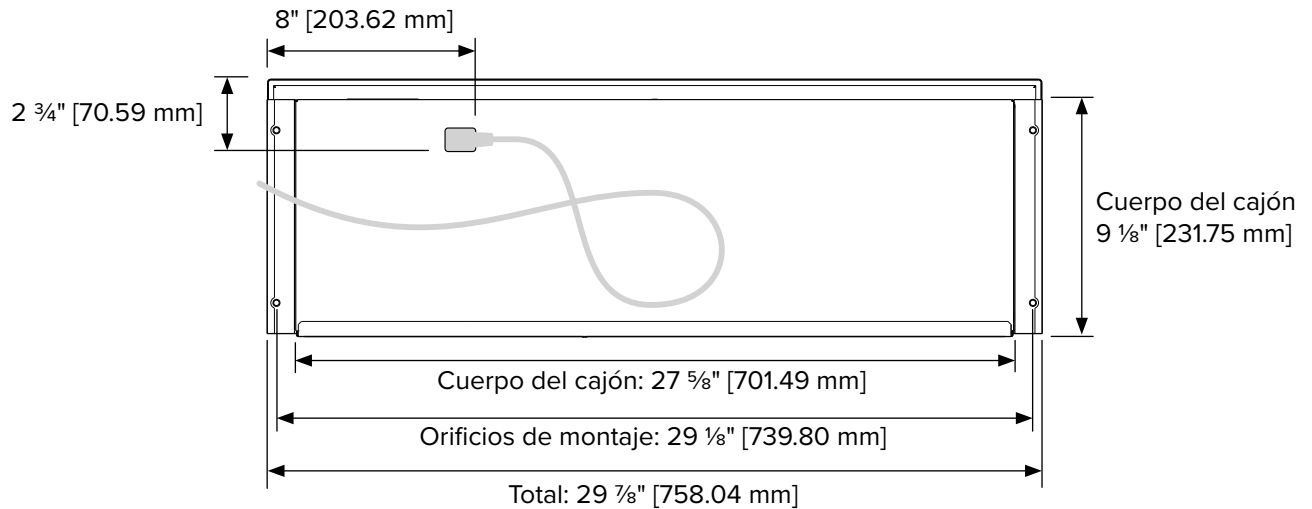
Dimensiones



Parte Lateral



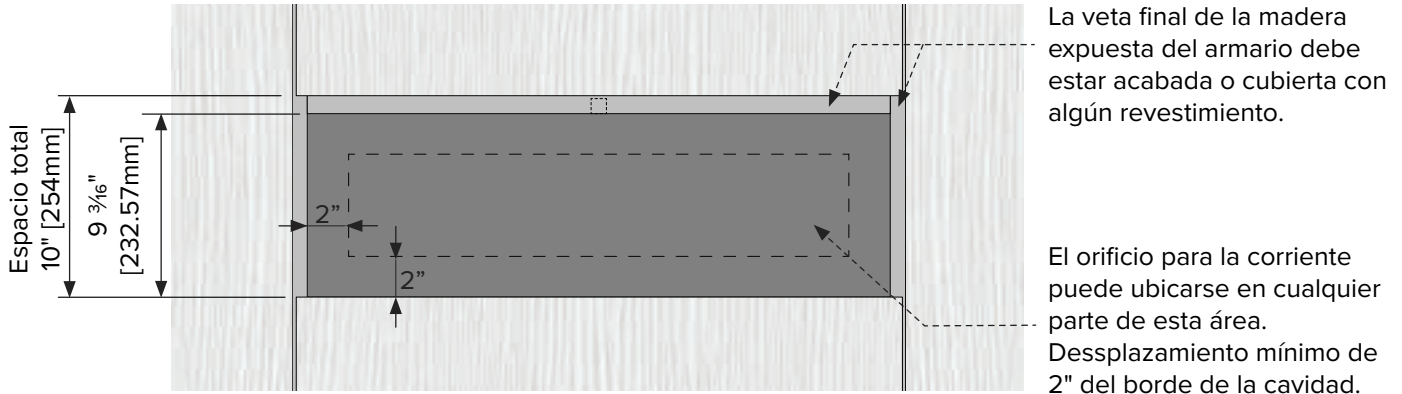
Frente



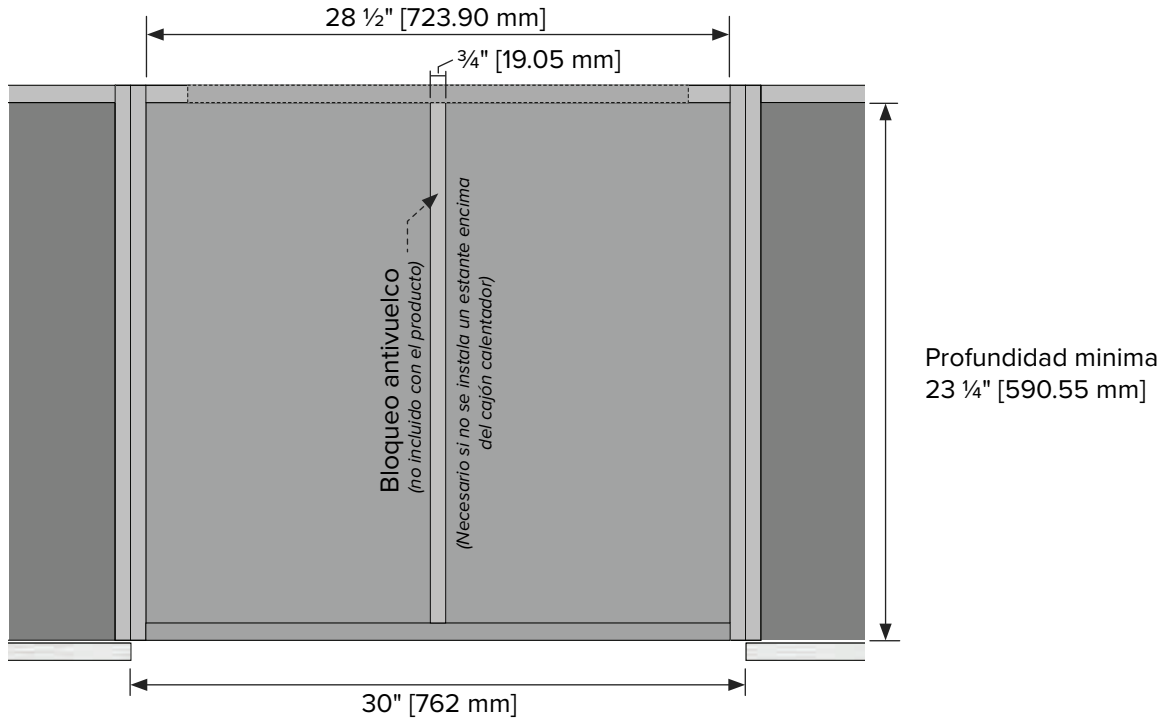
**Atrás
(Ubicación de la alimentación)**

Especificaciones del armario - Independiente

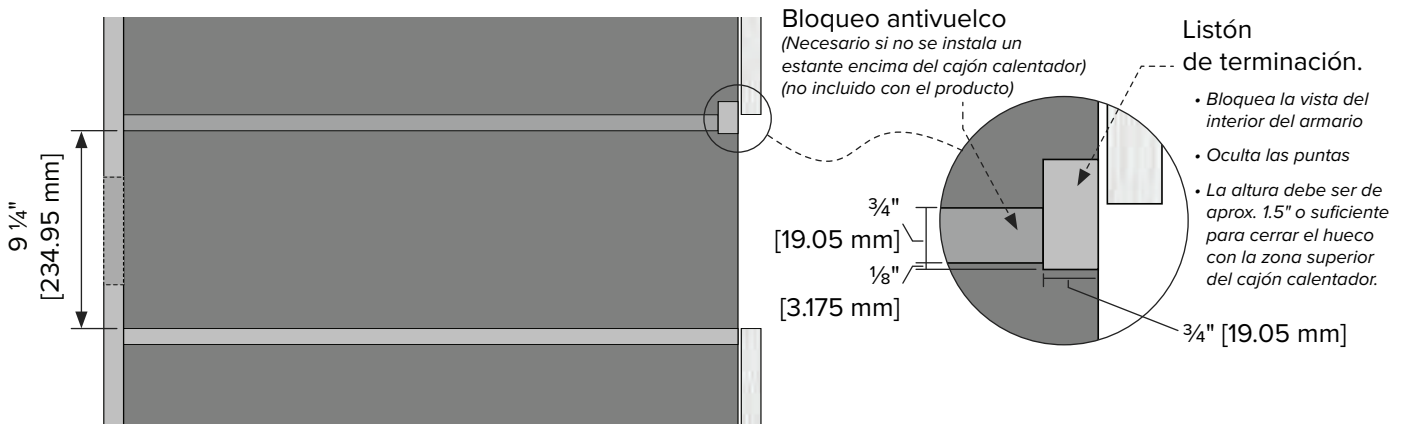
Dimensiones del armario - Espacio del armario sin el producto



Frente

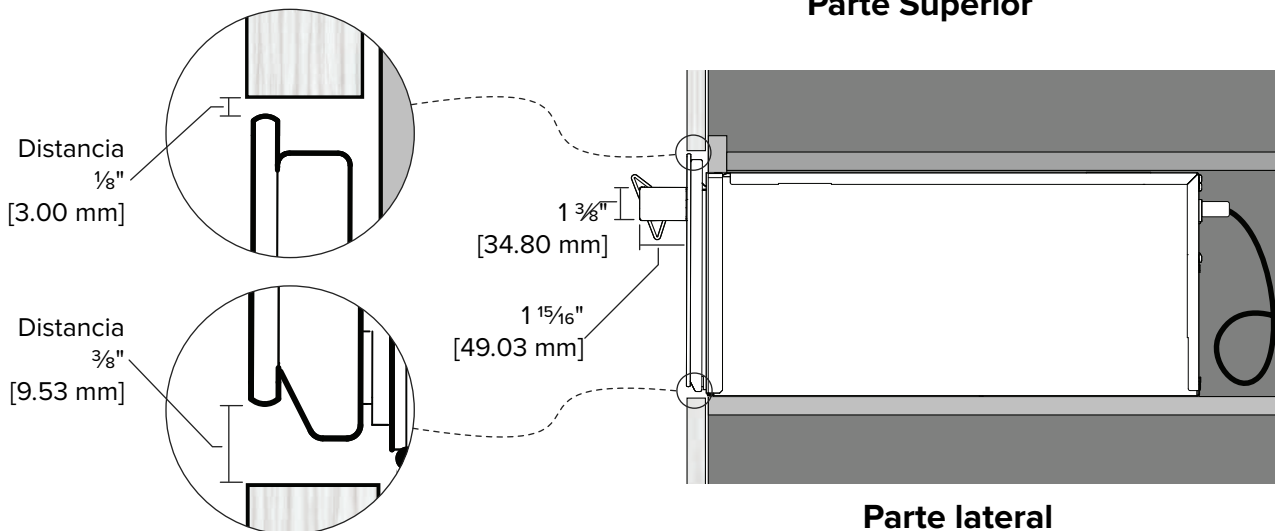
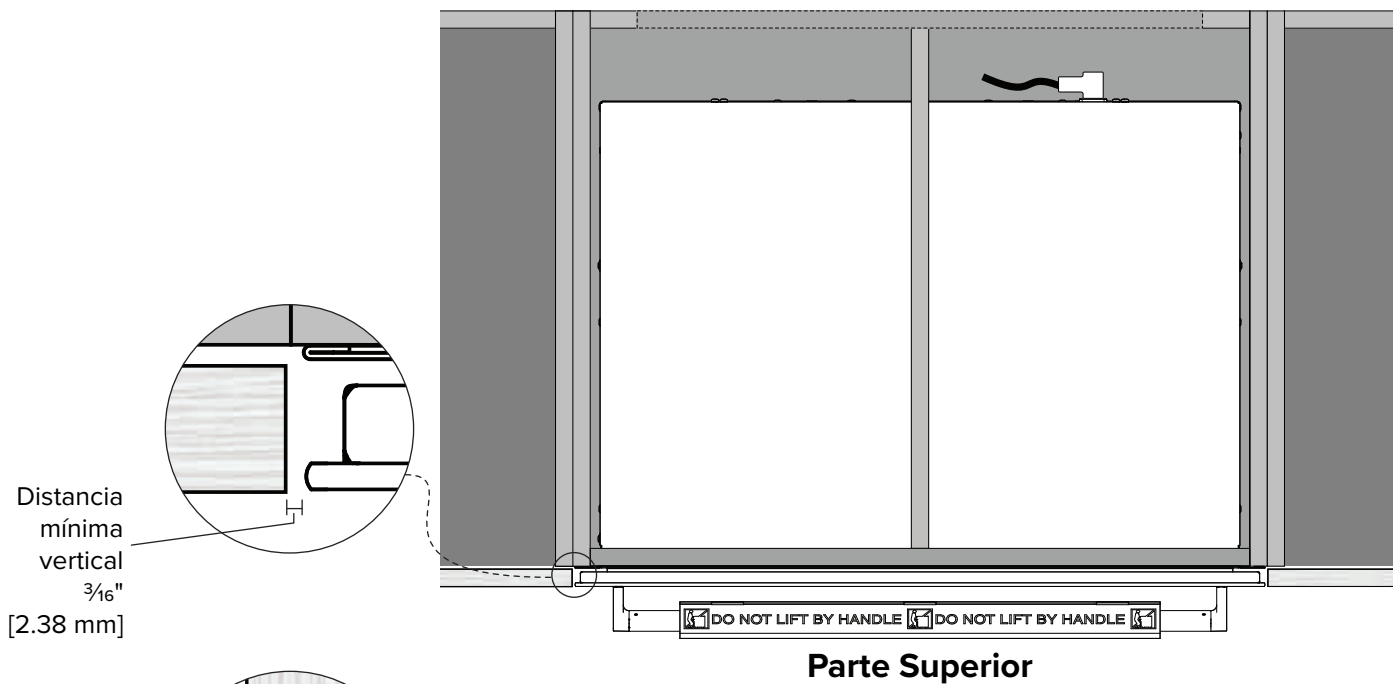
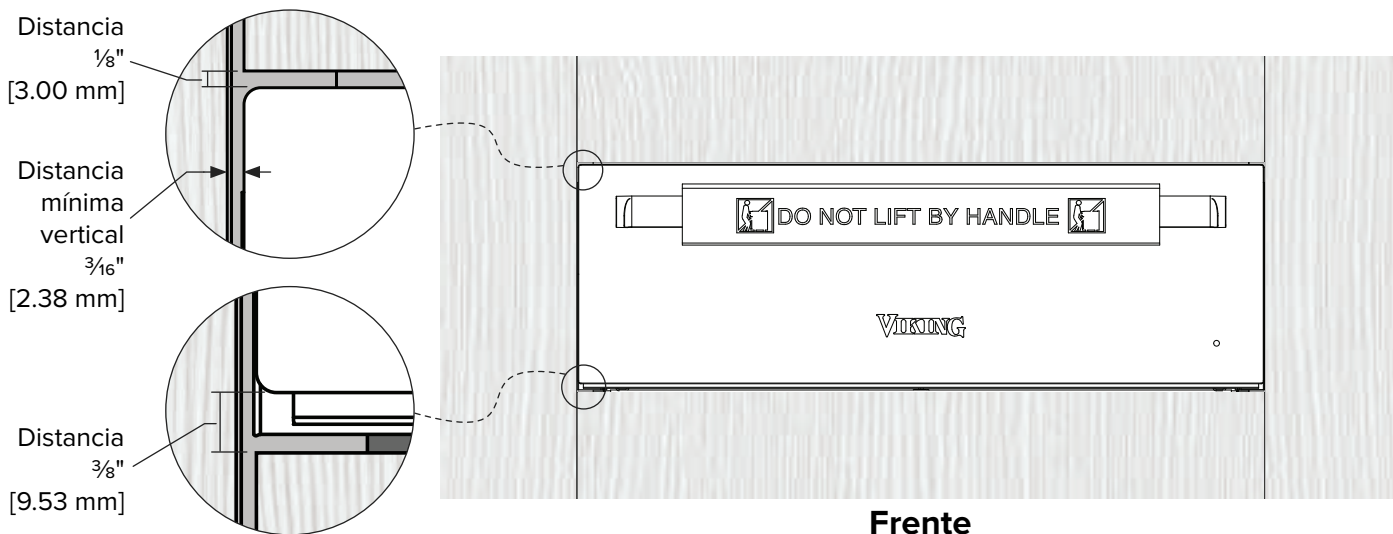


Parte Superior

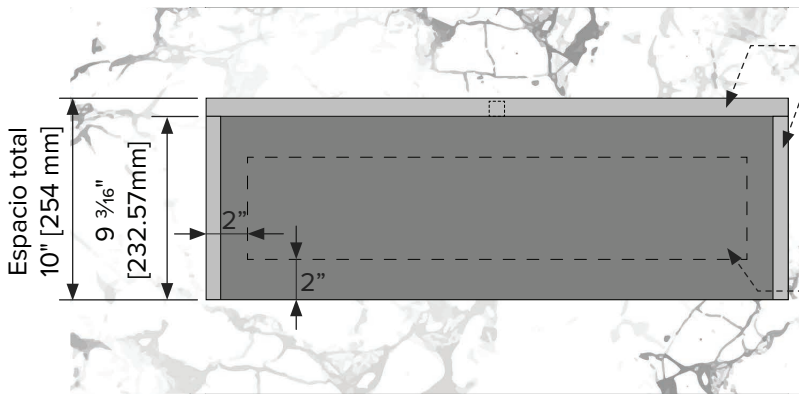


Parte lateral

Dimensiones de instalación del producto - Espacio del armario con el producto a la vista



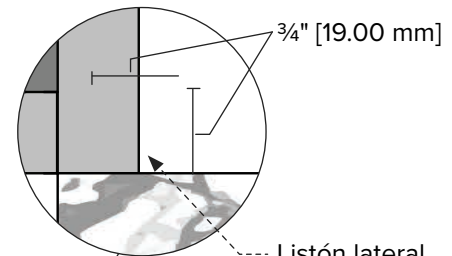
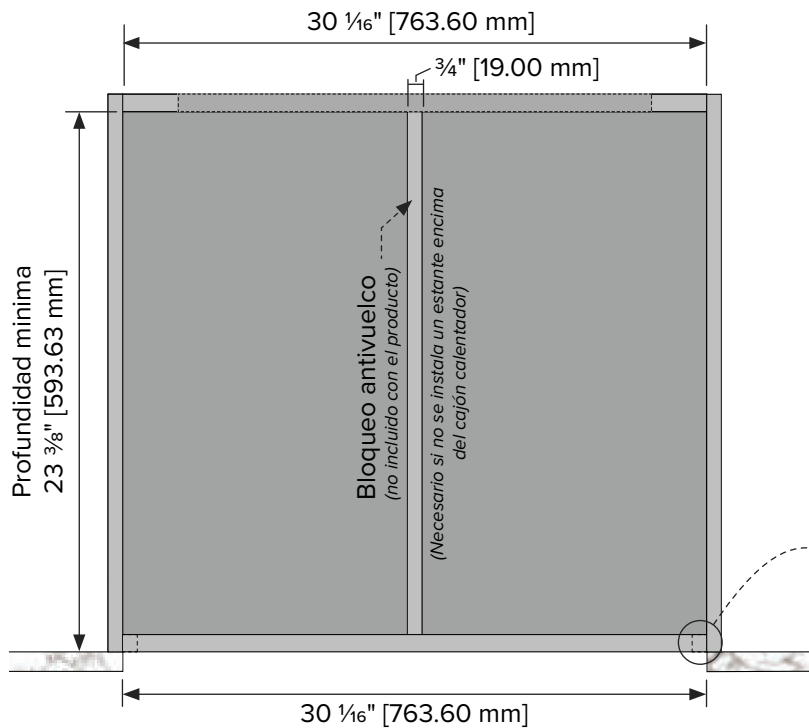
Dimensiones de los armarios empotrados - Espacio del armario sin el producto



La veta final de la madera expuesta de los armarios y los listones laterales de los accesorios del artefacto deben estar acabados o cubiertos con algún revestimiento.

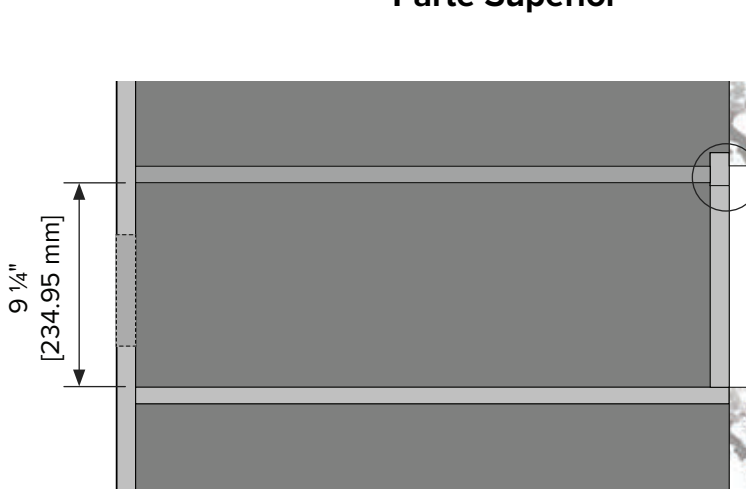
El orificio para la corriente puede ubicarse en cualquier parte de esta área. Desplazamiento mínimo de 2\"/>

Frente

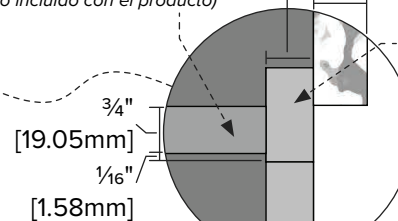


Listón lateral de fijación del artefacto terminado

Parte Superior



Bloqueo antivuelco
(Necesario si no se instala un estante encima del cajón calentador)
(no incluido con el producto)



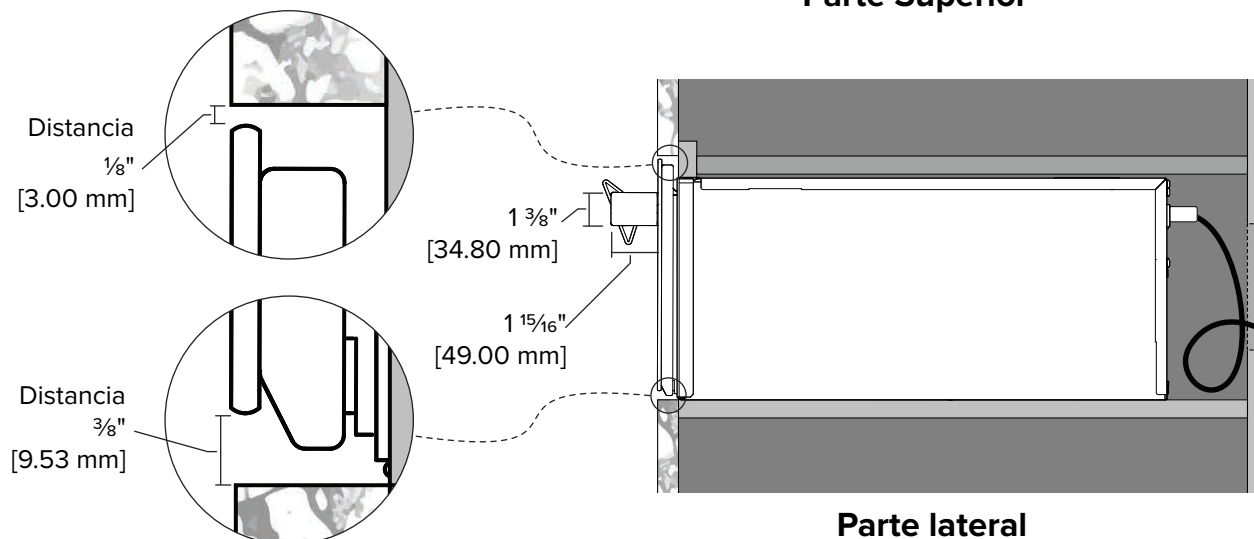
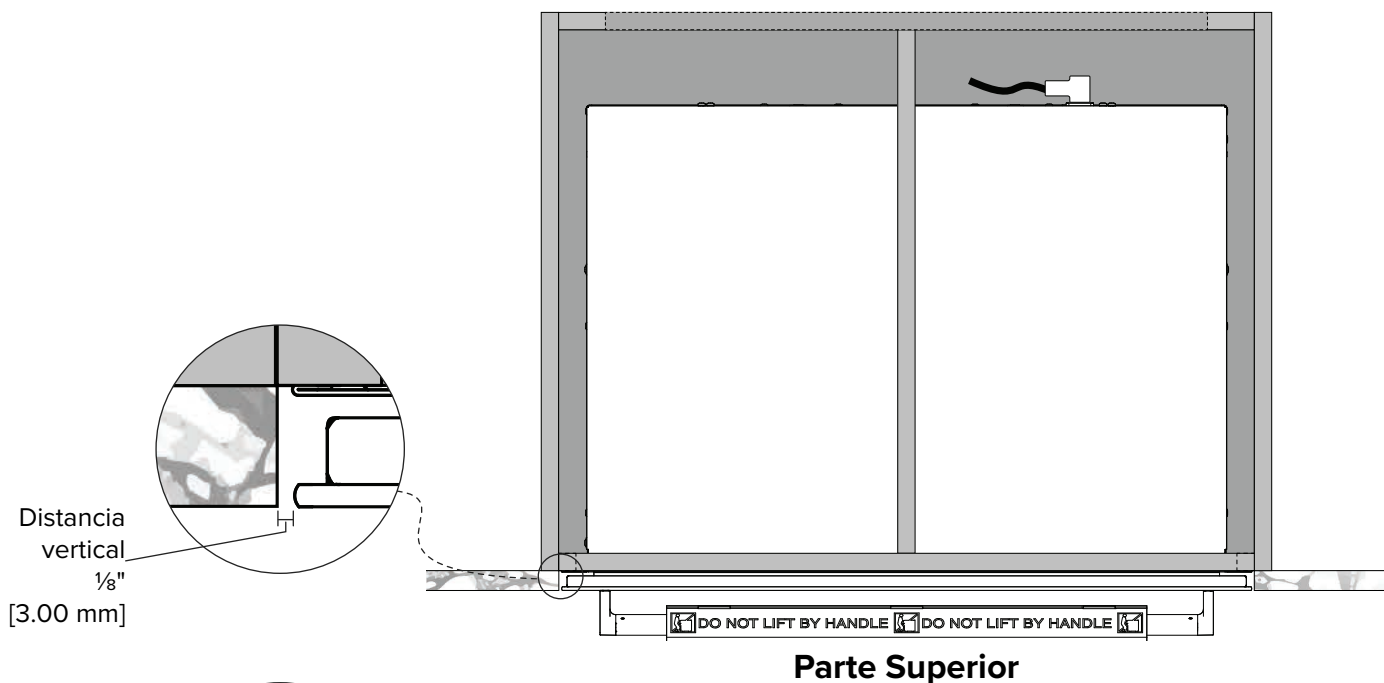
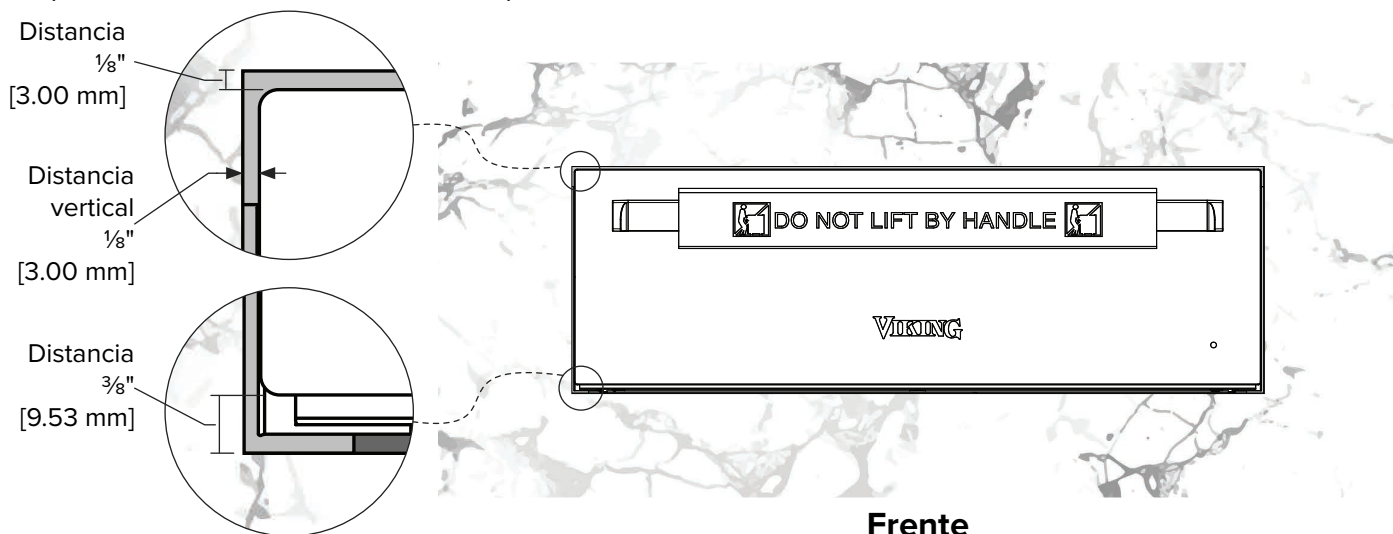
Listón de terminación.

- Bloquea la vista del interior del armario
- Oculta las puntas
- La altura debe ser de aprox. 1.5\"/>

Listón lateral de fijación del artefacto terminado

Parte lateral

Dimensiones de instalación del producto empotrado - Espacio del armario con el producto

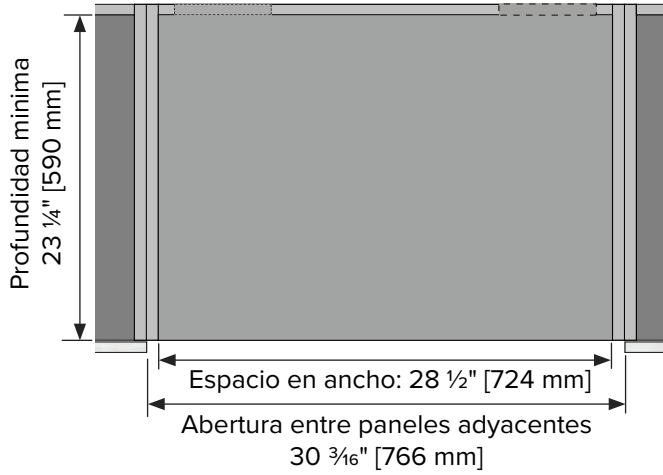


Especificaciones de los armarios de 3 estantes -

Horno de pared simple, horno de vapor y cajón calentaplato

(MVSOE6301 & MVSOC6301 & MVWDE6301)

Dimensiones de los armarios para instalación estándar

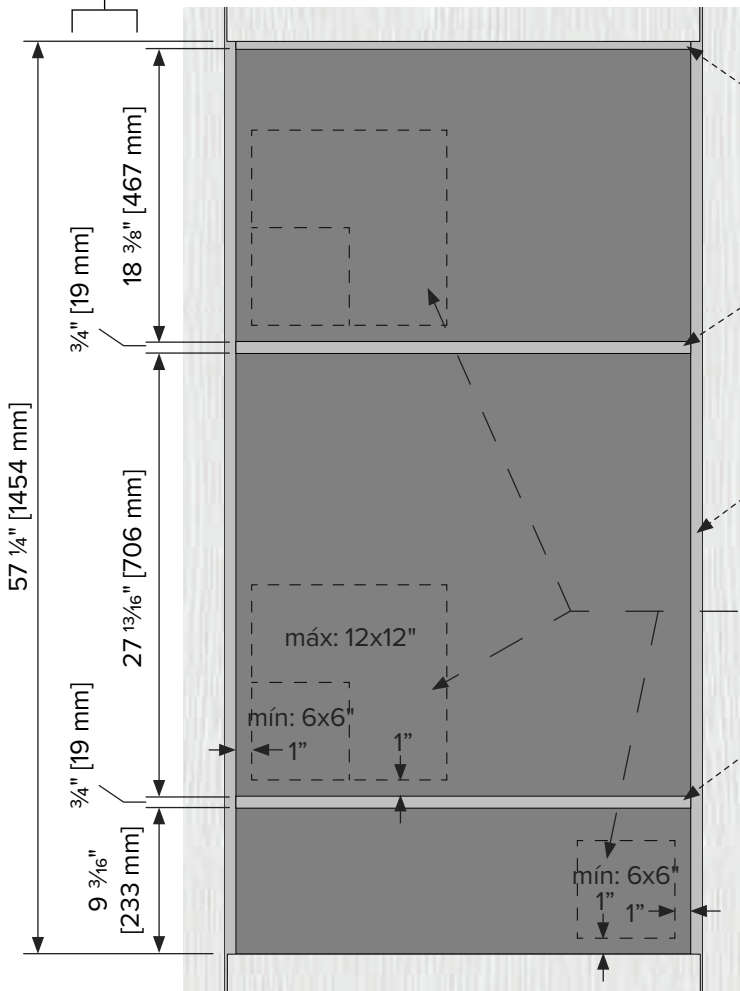


Parte Superior

Placa de terminación
(Bloquea la vista del interior del armario)

3/4" [19 mm]

Espacio en alto



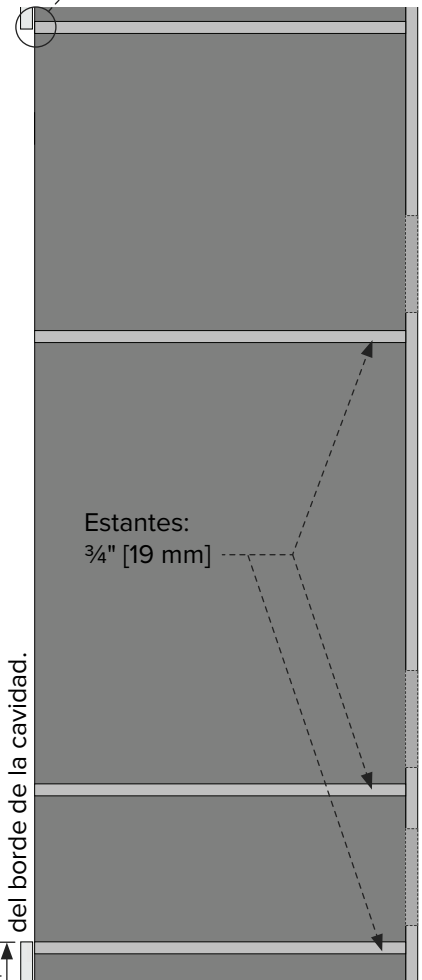
Frente

Todos los acabados de madera de los armarios deben tener algún revestimiento.

Ubicación del orificio para el conducto de alimentación. El orificio del conducto debe ser de al menos 6x6", pero no más de 12x12". Aproximadamente a 1" del borde de la cavidad.

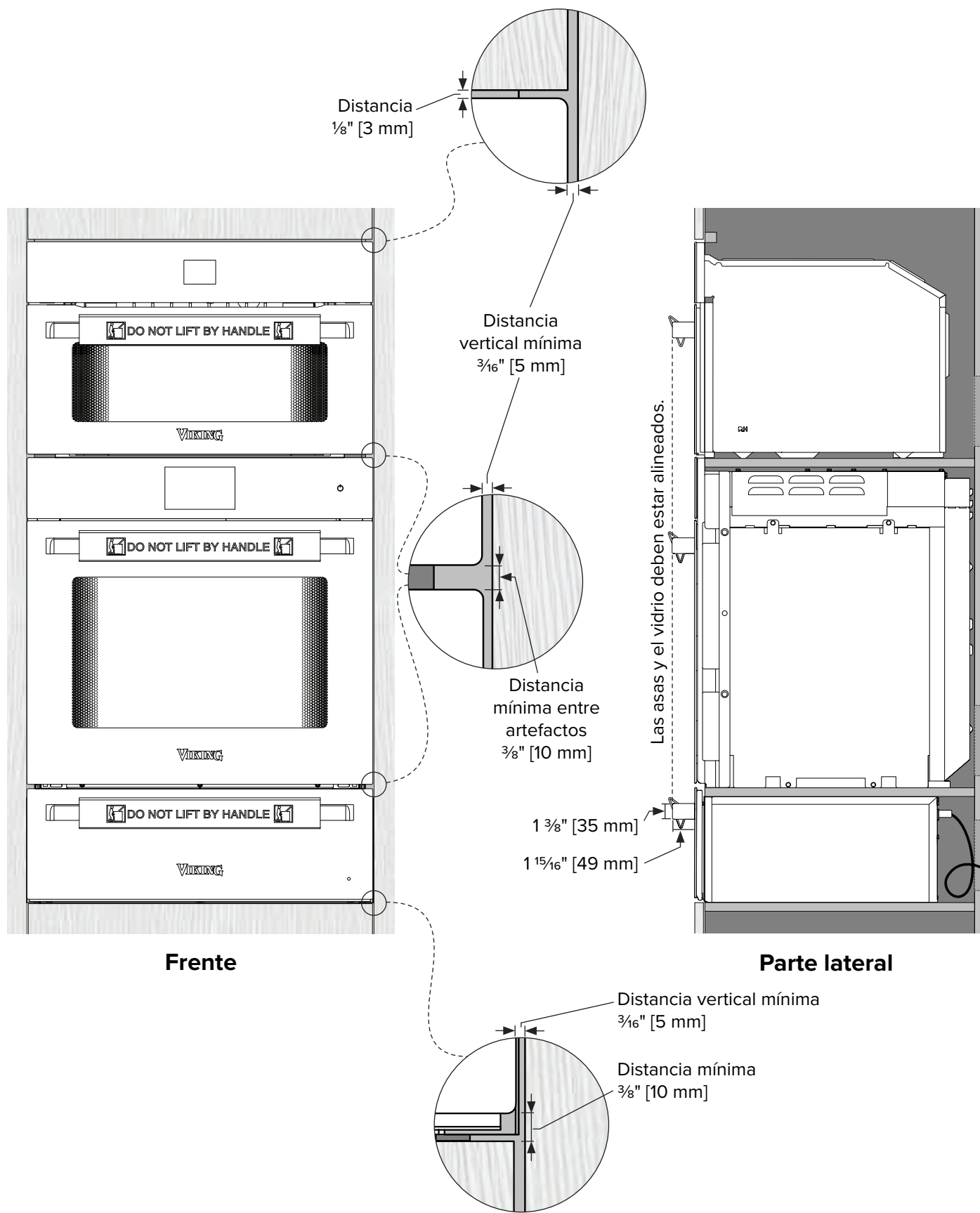
Mínimo
4 3/4" [121 mm]

Piso

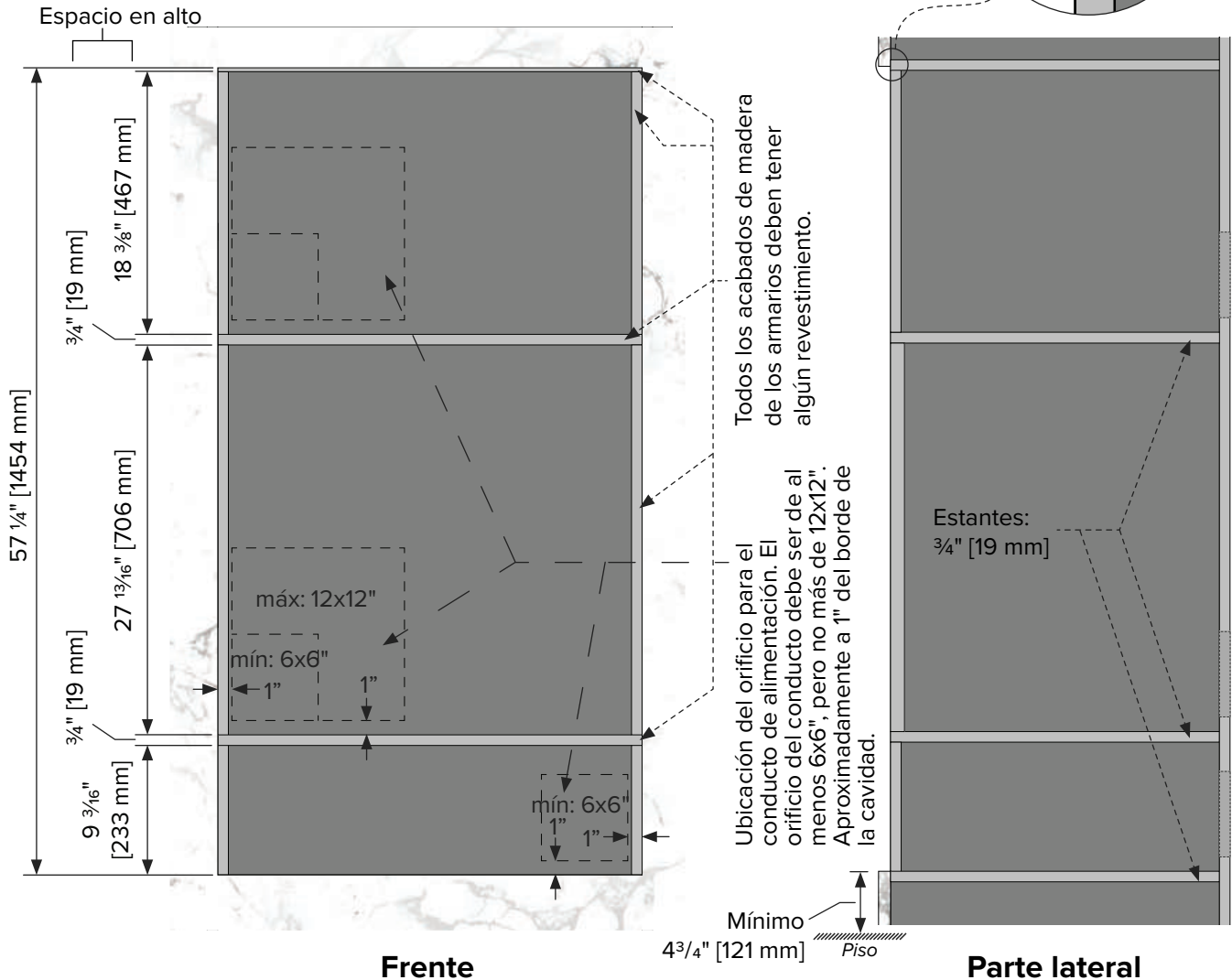
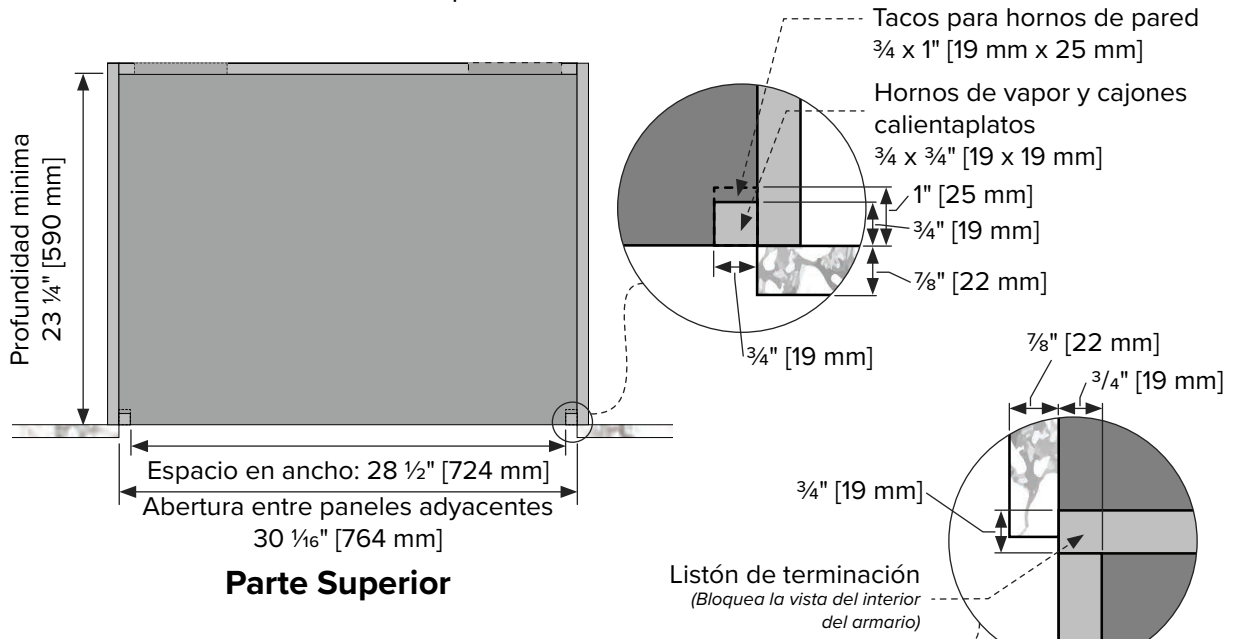


Parte lateral

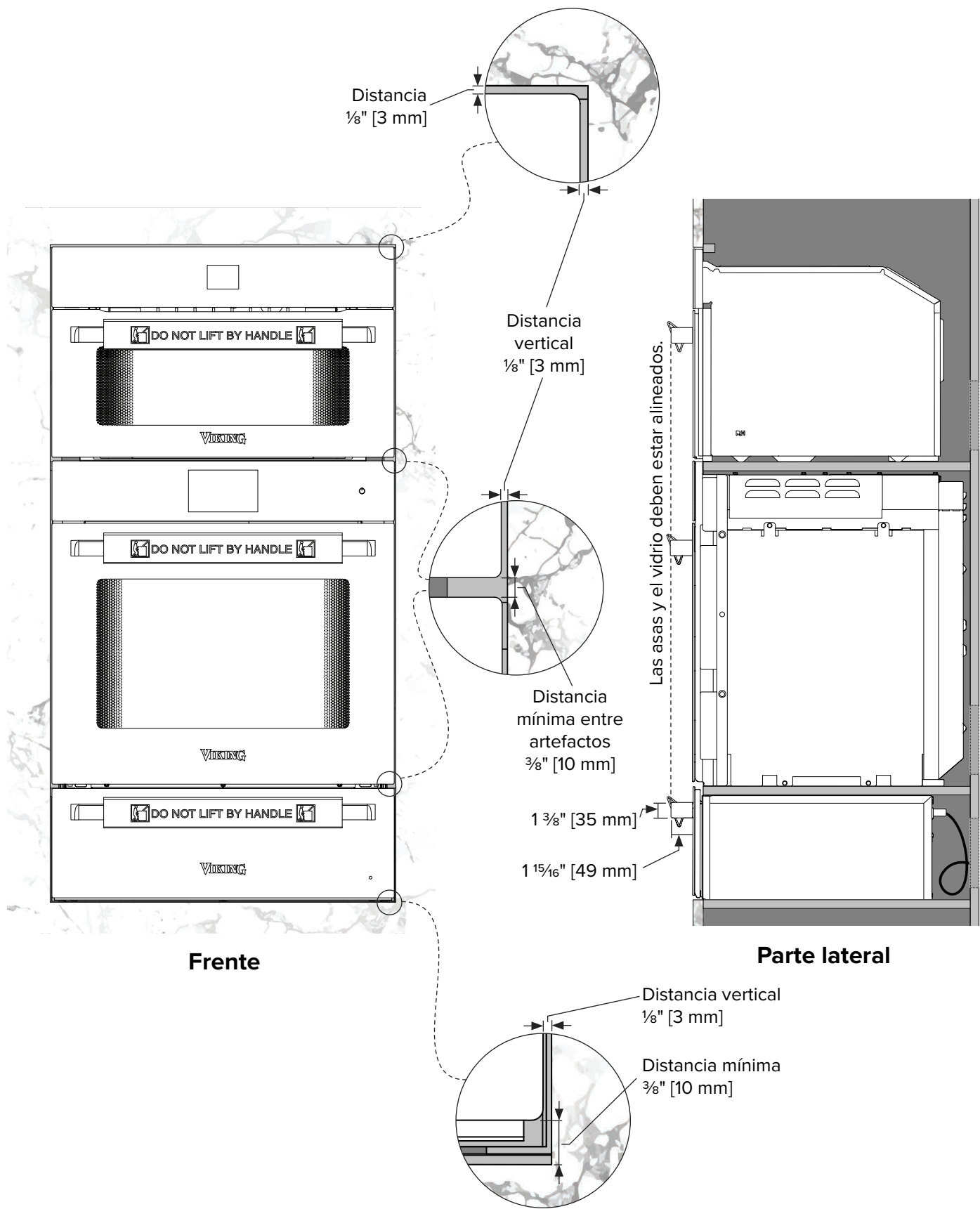
Distancias para la instalación estándar del producto



Dimensiones de los armarios empotrados



Distancias para la instalación empotrada del producto

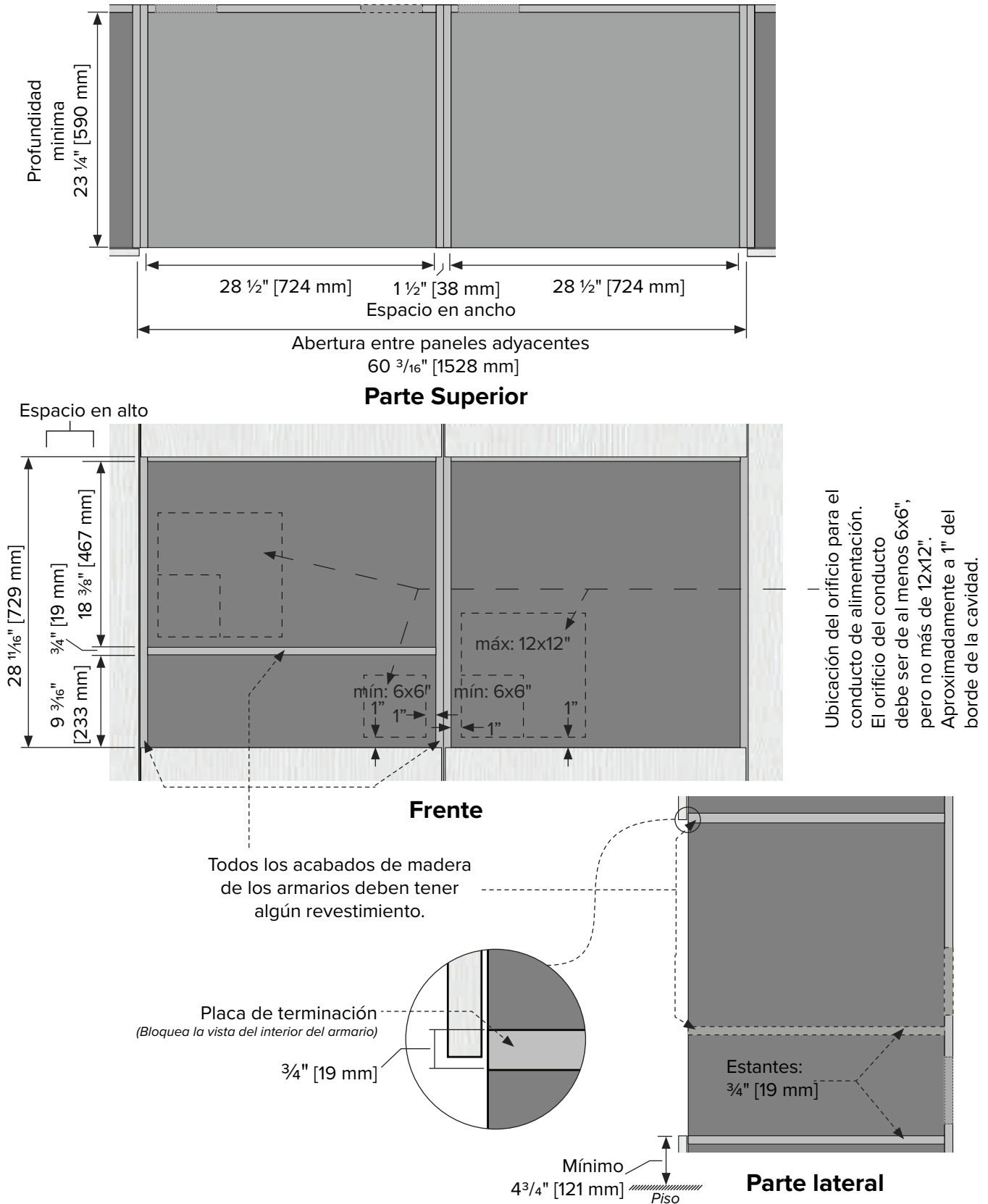


Especificaciones de los armarios lado a lado -

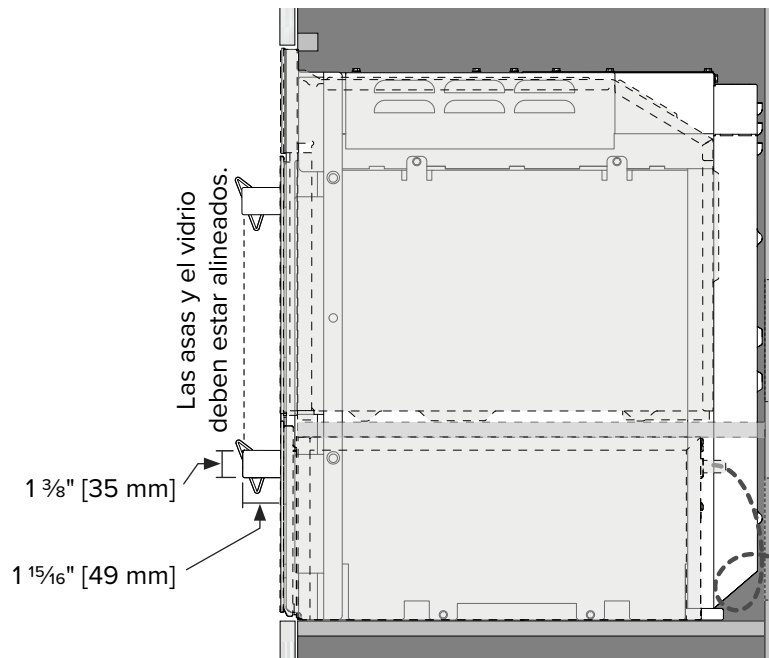
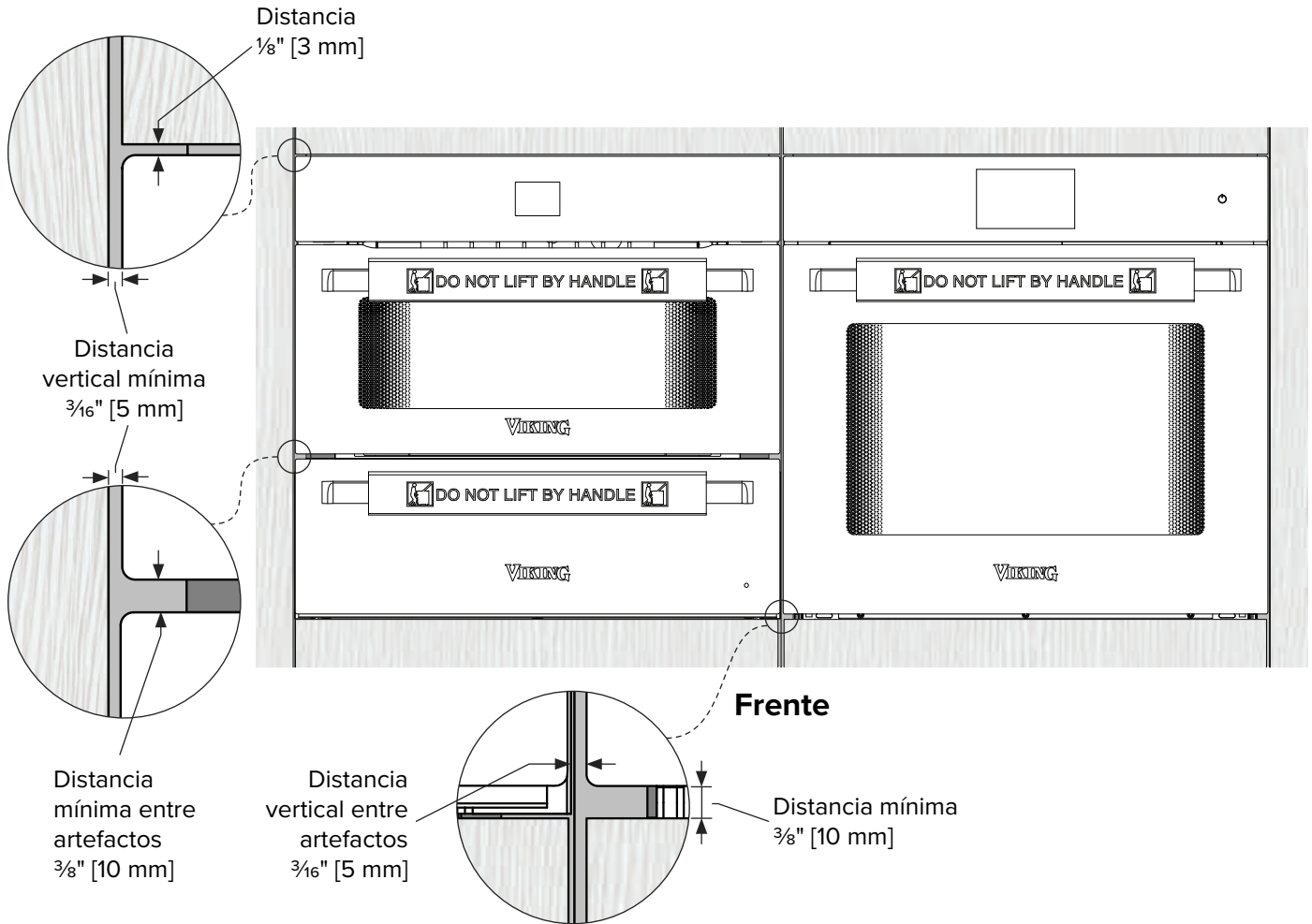
Horno de pared simple, horno de vapor y cajón calentaplatos

(MVSOE6301 & MVSOC6301 & MVWDE6301)

Dimensiones de los armarios para instalación estándar

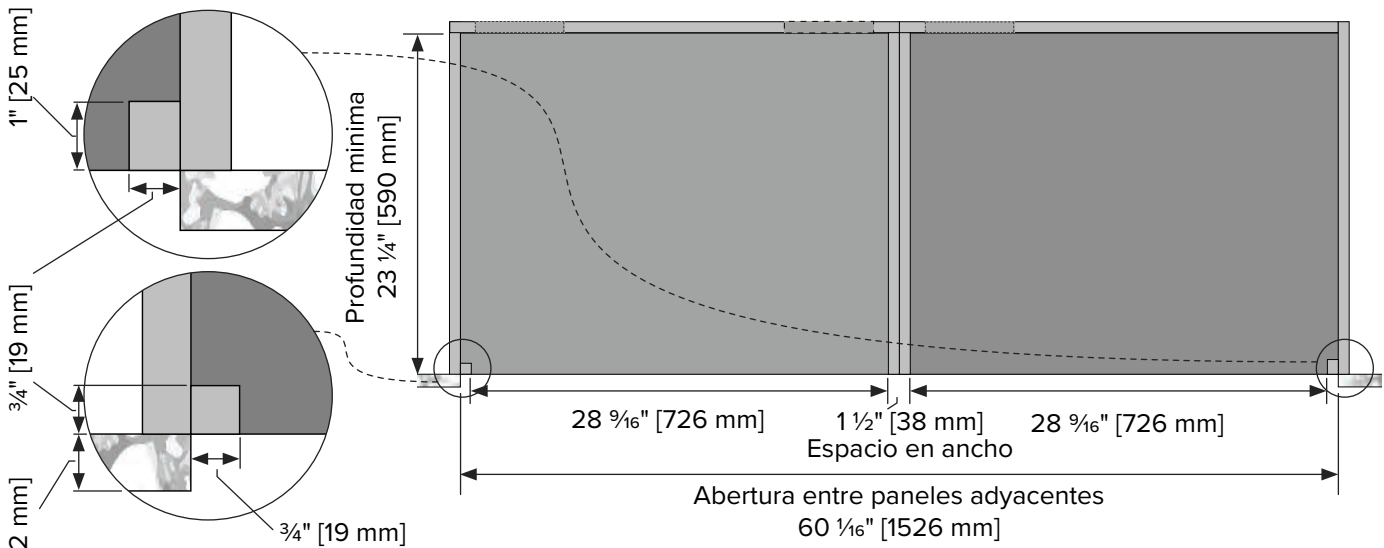


Distancias para la instalación estándar del producto



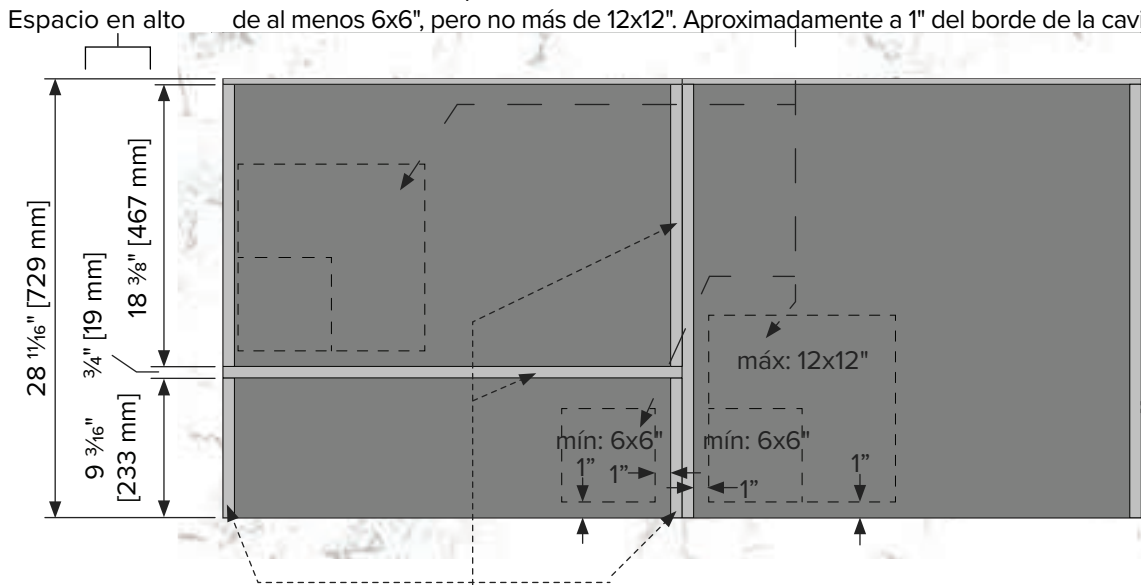
Parte lateral

Dimensiones de los armarios empotrados



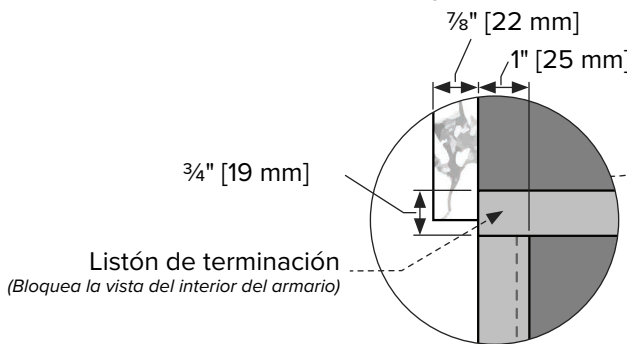
Parte Superior

Ubicación del orificio para el conducto de alimentación. El orificio del conducto debe ser de al menos 6x6", pero no más de 12x12". Aproximadamente a 1" del borde de la cavidad.



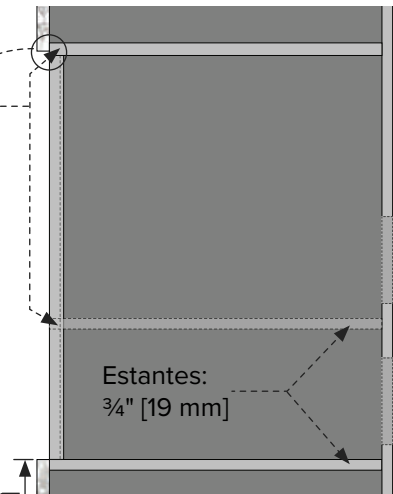
Frente

Todos los acabados de madera de los armarios deben tener algún revestimiento.

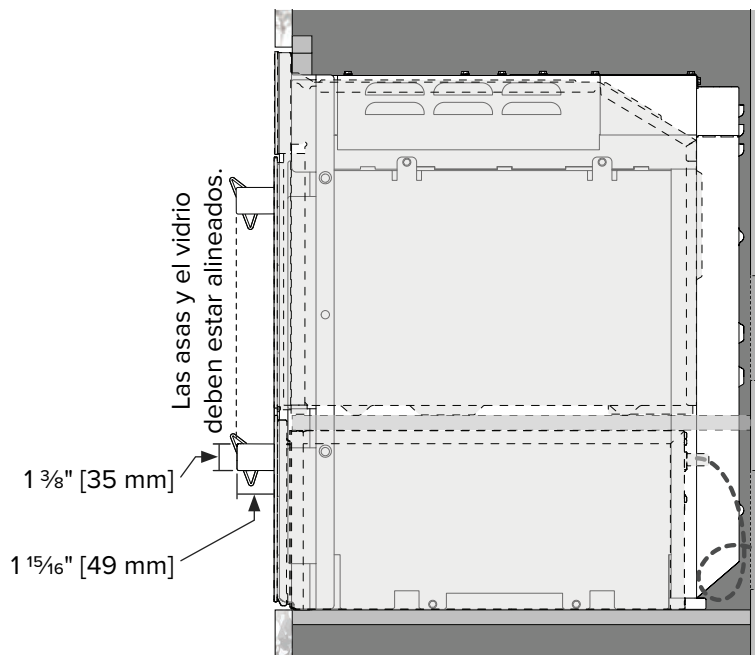
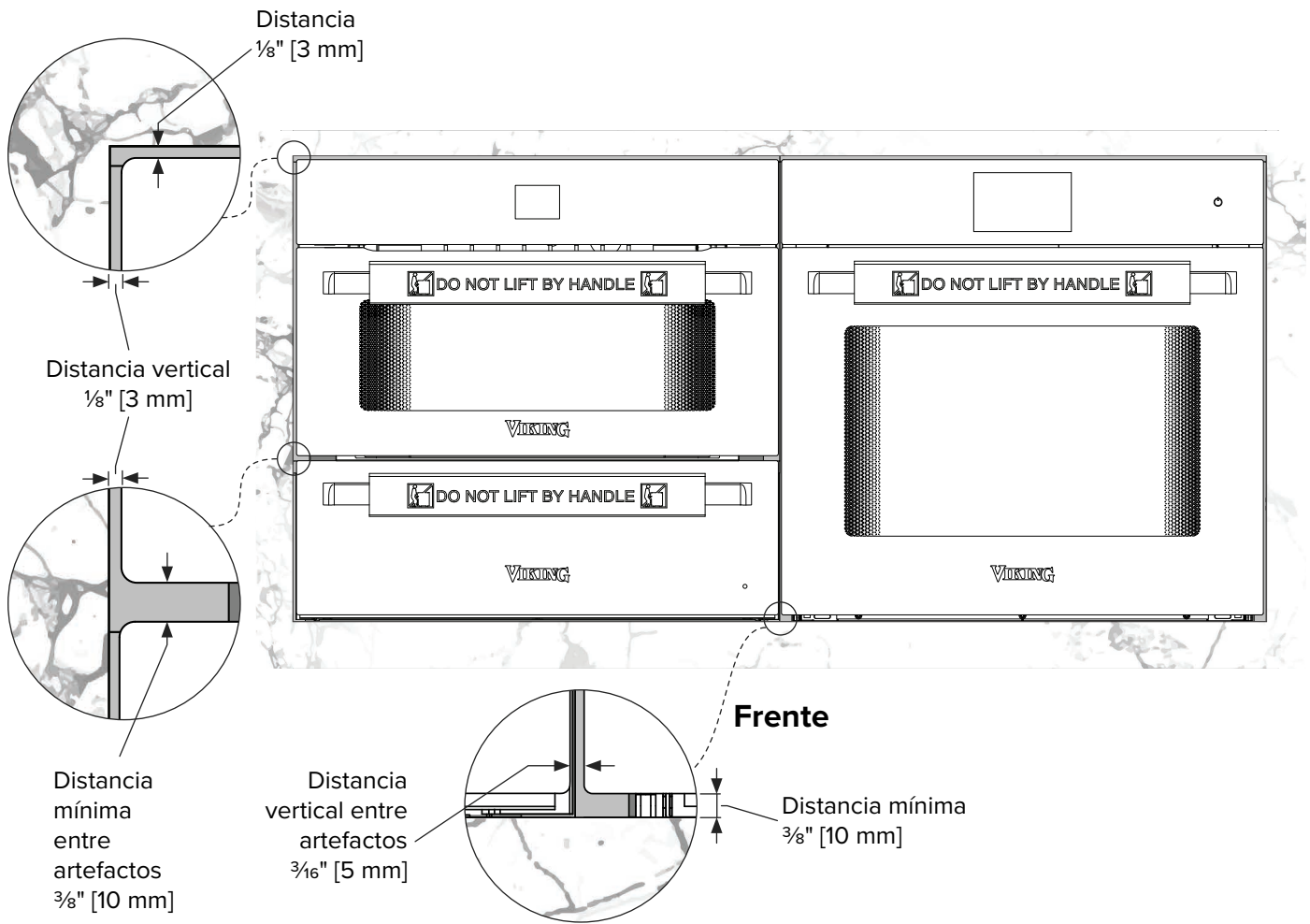


Mínimo
 4 3/4" [121 mm]
 Piso

Parte lateral



Distancias para la instalación empotrada del producto

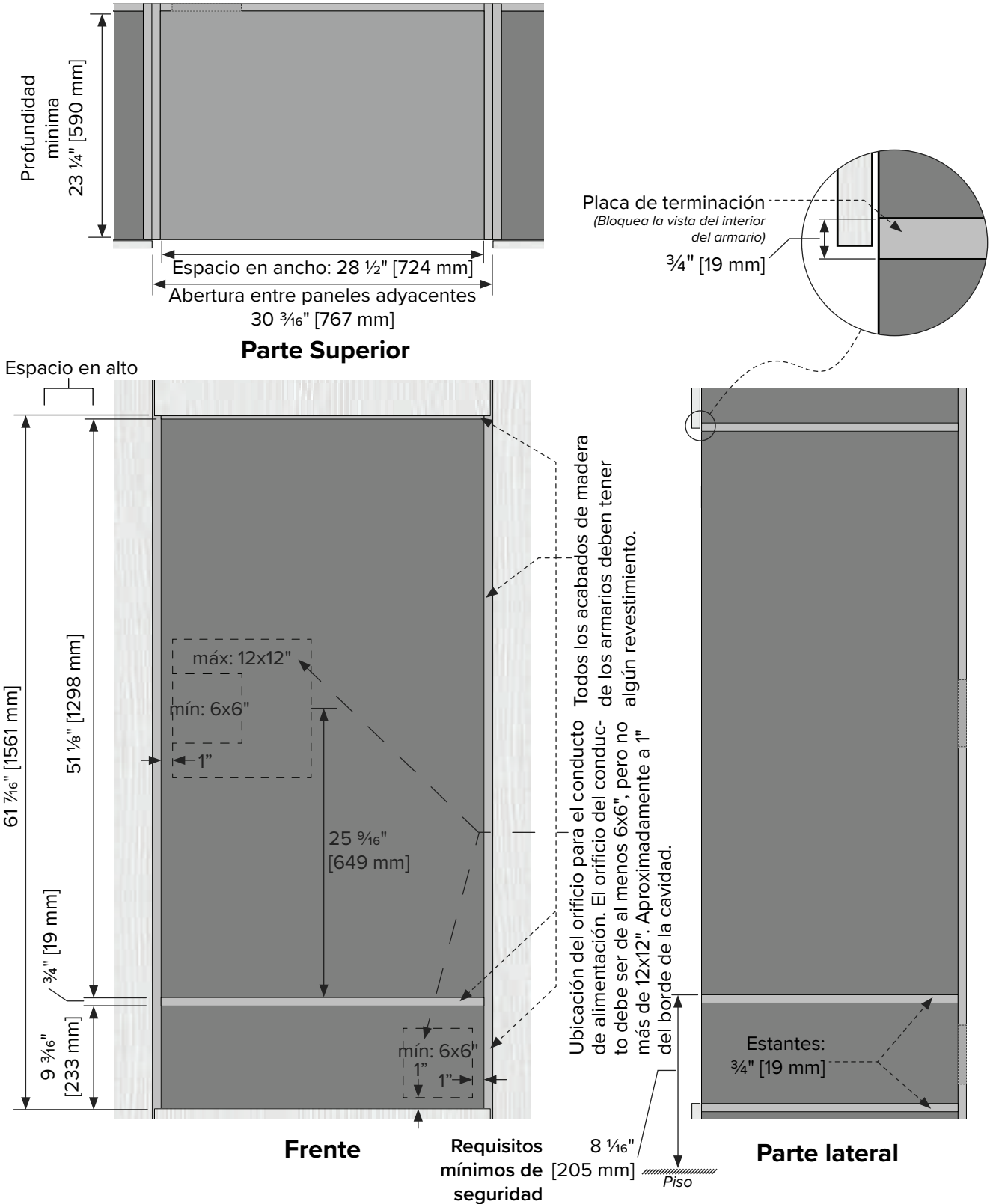


Parte lateral

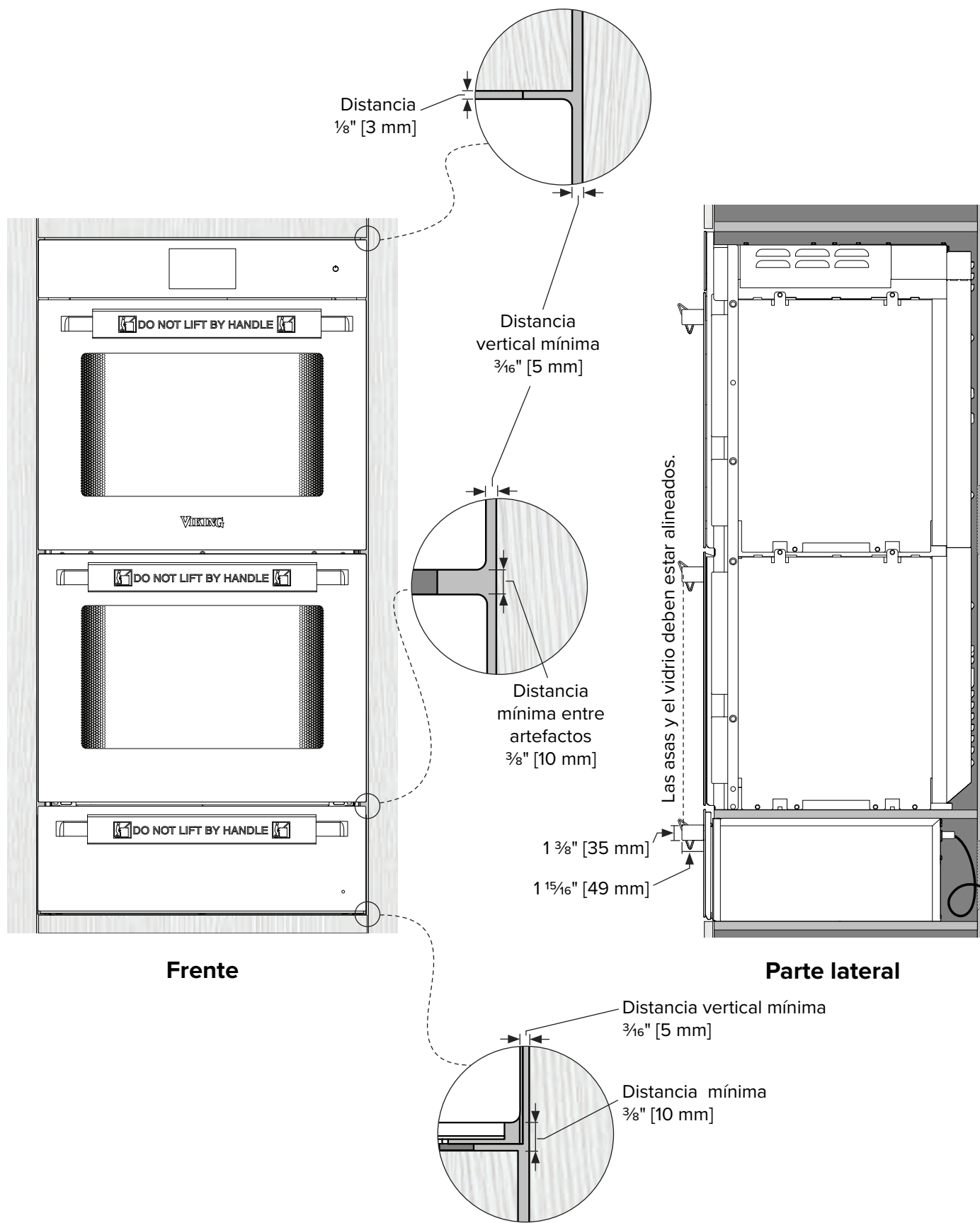
Especificaciones de los armarios de 2 estantes - Horno doble y cajón calentaplato

(MVDOE6301 & MVWDE6301)

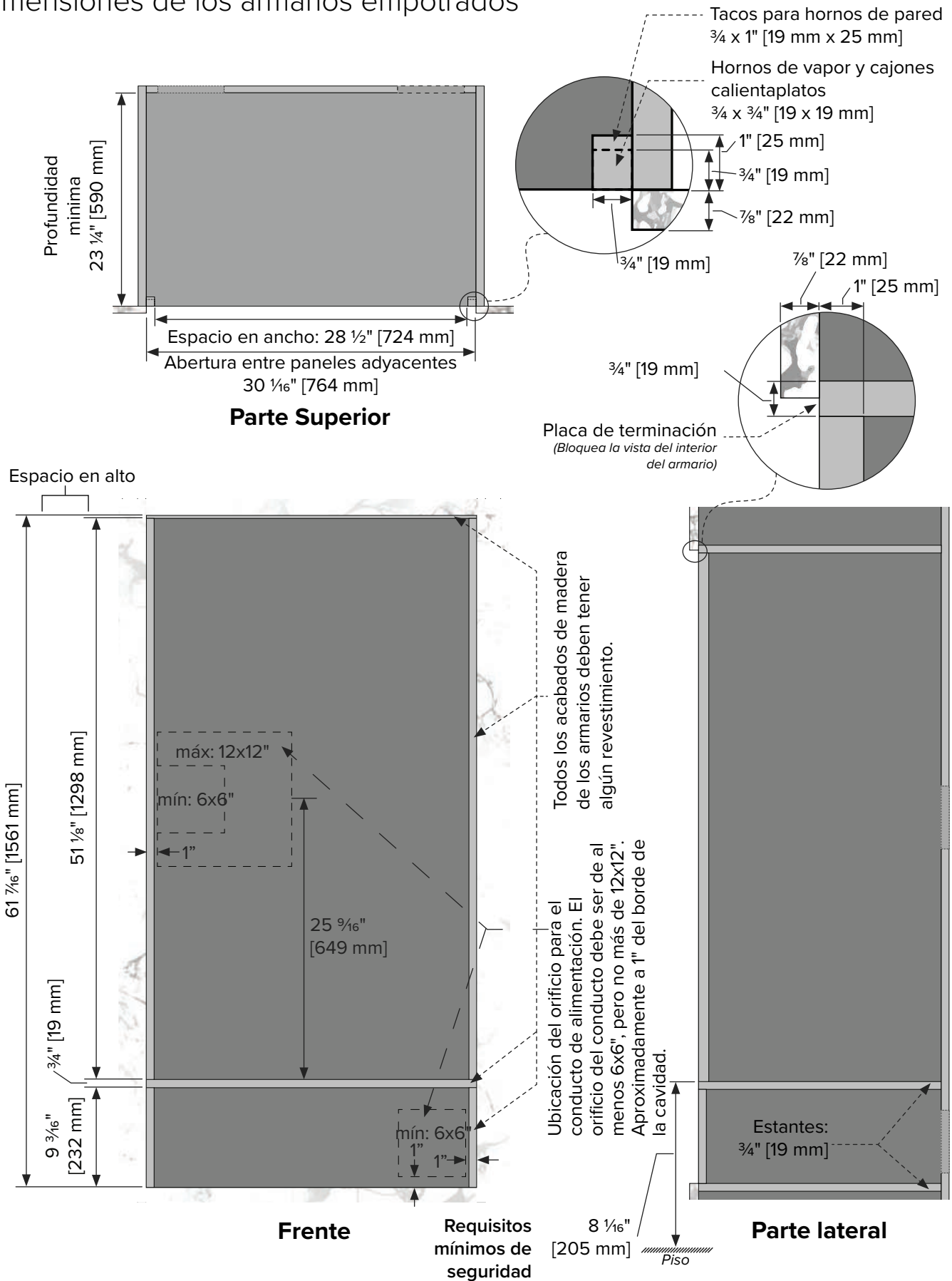
Dimensiones de los armarios para instalación estándar



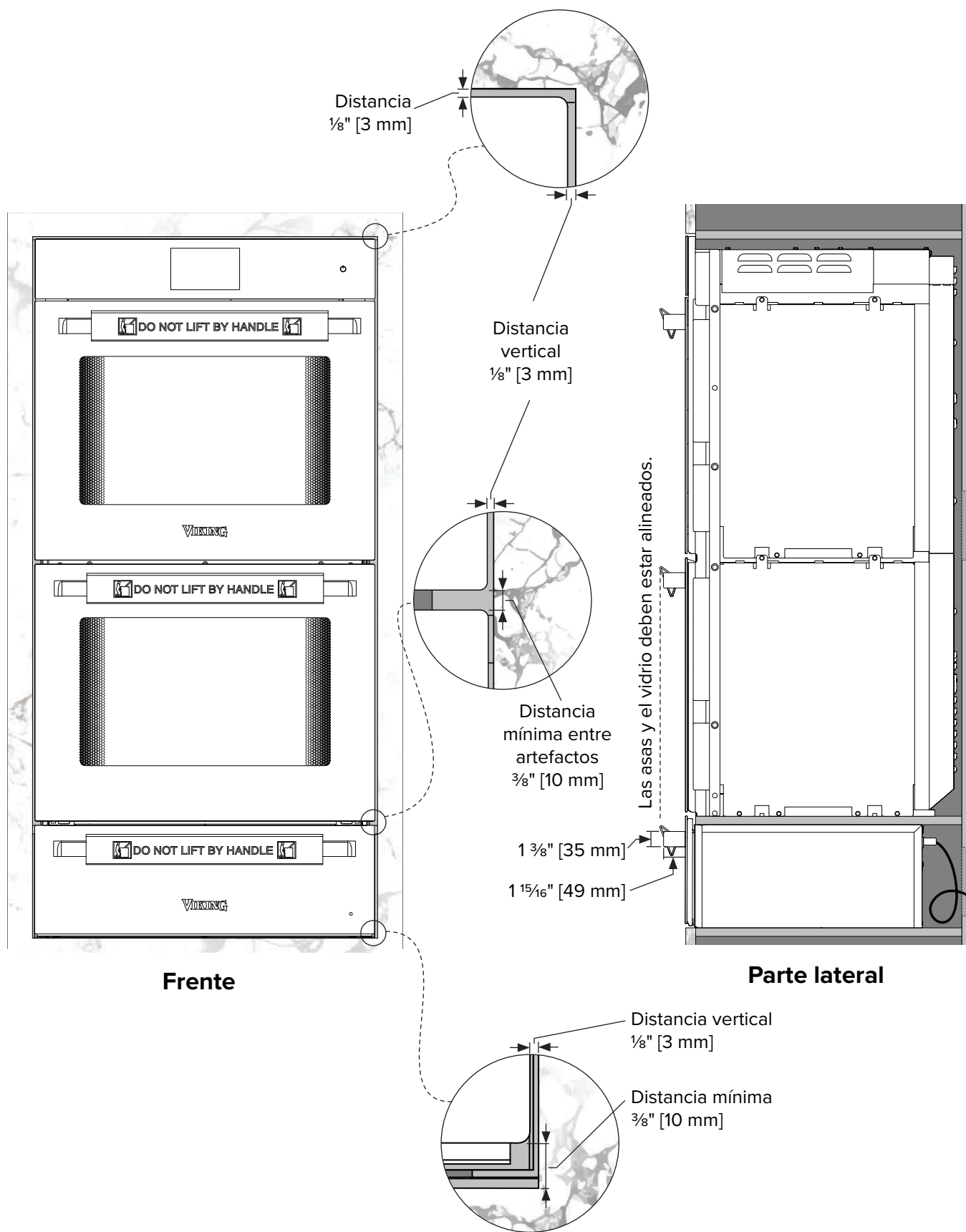
Distancias para la instalación estándar del producto



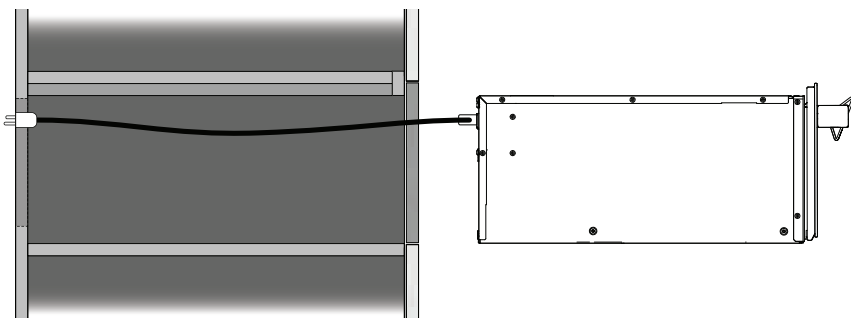
Dimensiones de los armarios empotrados



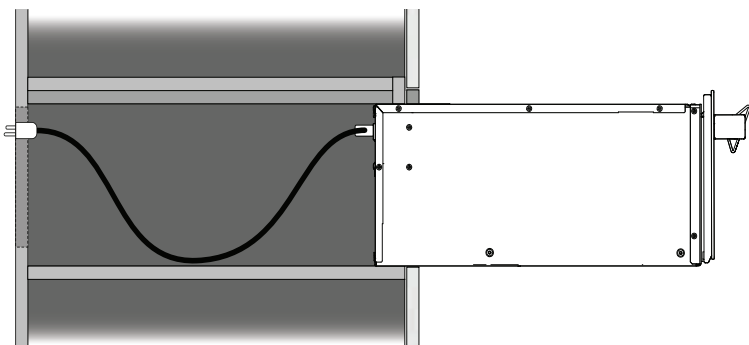
Distancias para la instalación empotrada del producto



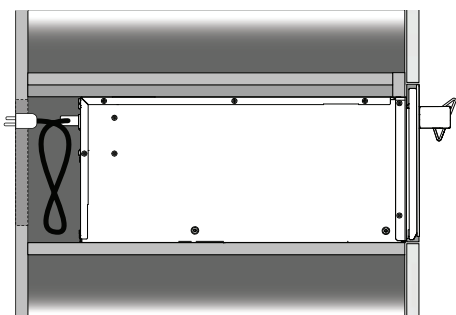
Instalación



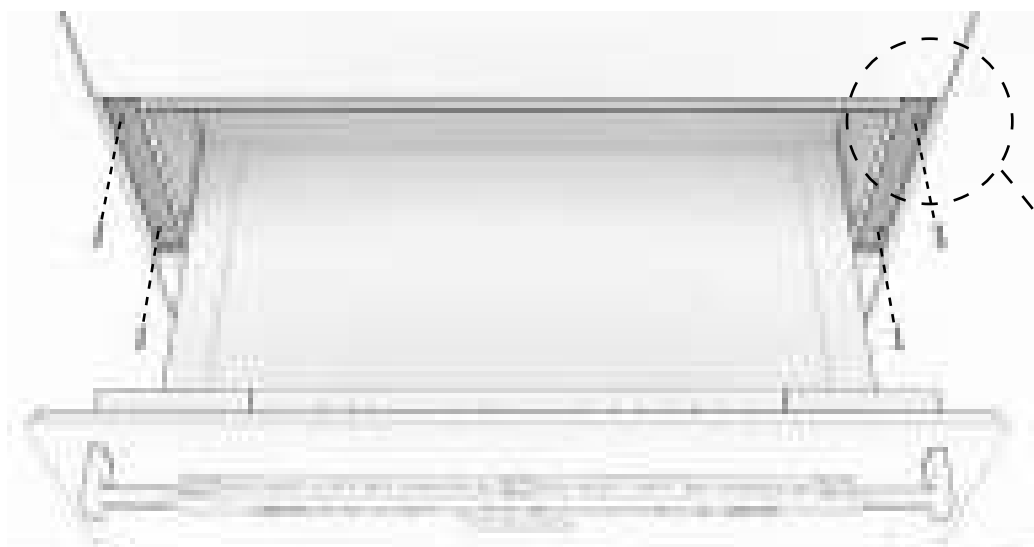
Enchufe el cajón calentador al tomacorriente.



Coloque el cajón parcialmente dentro de la cavidad del armario.

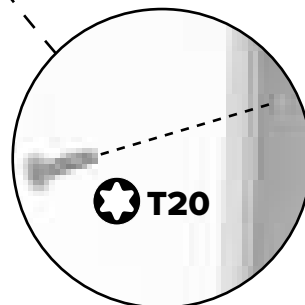


Empuje el cajón calentador hacia el interior del armario hasta que las pestañas de instalación coincidan con el mueble.



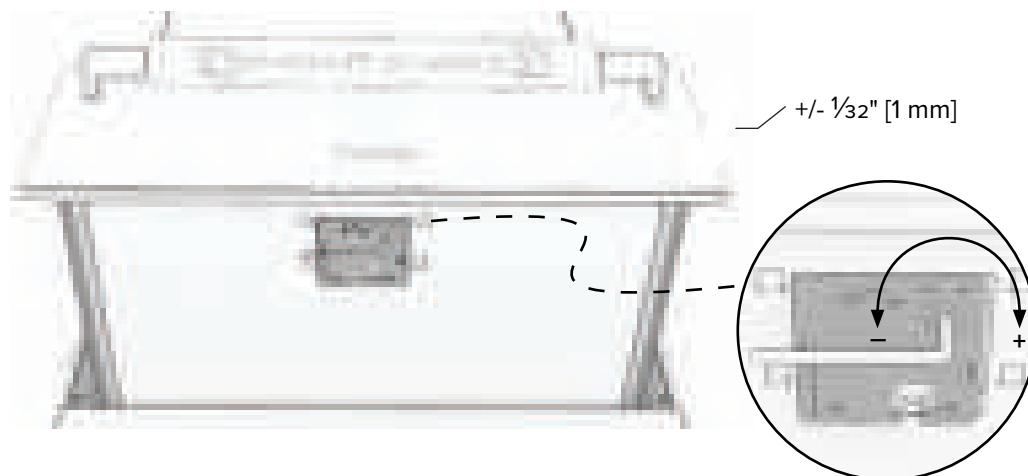
Asegúrese de centrar y alinear el cajón con el armario.

Fije el cajón calentador al armario a través de las bridas de instalación con los 4 tornillos avellanados de cabeza estrella nº 10 T20 incluidos.



Medición final y ajuste del panel frontal de cristal

Ajuste de la profundidad del cristal frontal



Utilice una llave hexagonal en L de 6 mm para ajustar la alineación en profundidad del cristal para que esté en línea con con el armario.

El ajuste total es $\frac{3}{32}$ " (2 mm)

Hacia la derecha - Mueva el panel de cristal hacia atrás.

Hacia la izquierda - Mueva el panel de cristal hacia delante.

Ajuste de la altura del cristal frontal

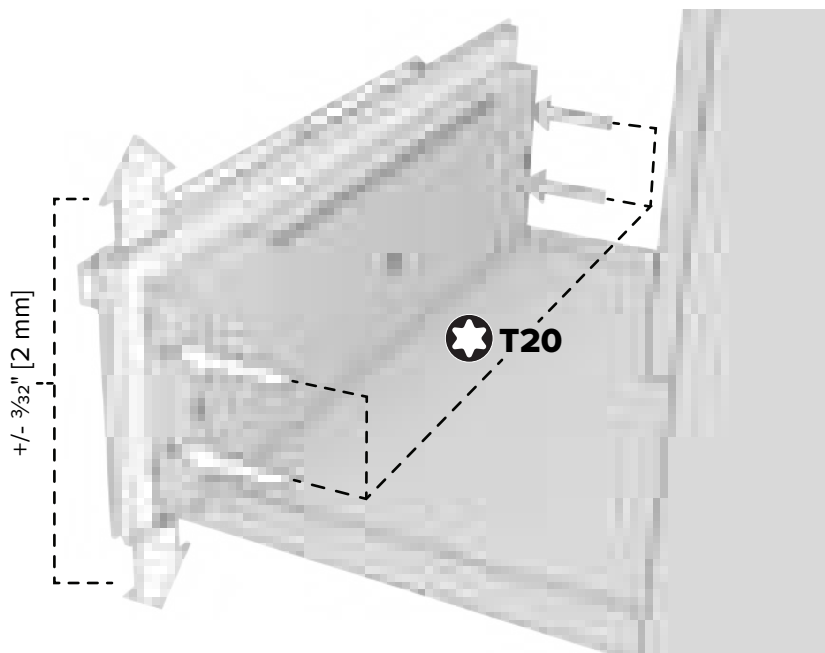
Extraiga completamente el cajón y afloje ligeramente los cuatro tornillos situados a ambos lados del panel de control.

Afloje los tornillos solo lo suficiente para permitir que el panel del cristal frontal se mueva con la presión aplicada. Esto ayudará a realizar solo pequeños ajustes.

Utilizando un nivel de burbuja, ajuste la altura de ambos lados del panel de cristal frontal y asegúrese de que el borde del cristal esté paralelo a los bordes circundantes.

Vuelva a ajustar a mano los cuatro tornillos una vez conseguida la alineación deseada. No ajuste en exceso utilizando un taladro u otro medio mecánico. Un ajuste excesivo puede dañar el material de conexión.

La fuerza máxima permitida es de 17.2 lbs (2 Nm).



Lista de comprobación de la instalación final

Lea todas las instrucciones de instalación de este manual para comprobar que la unidad se ha instalado correctamente antes de utilizarla.

Asegúrese de que:

- El cajón calentador está nivelado y bien encajado en el armario.
- Se ha retirado cualquier embalaje interno del cajón.
- El interruptor de aislamiento es accesible para el cliente.
- El estante inferior puede soportar completamente el peso total de los artefactos combinados.

Operación de prueba:

- Abra el cajón.
- Pulse el ⓘ botón de encendido para activar el cajón calentador.
- Cierre el cajón.
- Después de 0.5 - 1 minuto, abra el cajón para palpar las superficies internas y comprobar si están ligeramente calientes.
- Pulse el ⓘ botón de encendido para apagar el cajón calentador y ciérrelo.

Notas

USO Y CUIDADO

Bienvenido y gracias

Nos gustaría darle una cálida bienvenida y expresarle nuestra más sincera gratitud por su reciente compra de un nuevo cajón calentador de Viking Range. Estamos encantados de que haya elegido nuestro producto para mejorar su experiencia en la cocina.

En Viking Range, nos enorgullecemos de ofrecer artefactos de alta calidad que combinan tecnología innovadora con una artesanía excepcional. Nuestros cajones calentadores están diseñados para ofrecerle la máxima comodidad y eficacia, garantizando que sus comidas se sirvan siempre a la temperatura perfecta.

En este manual de usuario encontrará instrucciones detalladas sobre cómo sacar el máximo partido a su nuevo cajón calentador. Hemos incluido guías paso a paso, consejos útiles e importante información de seguridad para garantizar una experiencia perfecta y agradable.

Si tiene alguna pregunta o necesita ayuda, no dude en ponerse en contacto con nuestro equipo de atención al cliente. Estamos aquí para ayudarle a sacar el máximo partido a su cajón calentador Viking Range.

Una vez más, gracias por elegir Viking Range. Estamos seguros de que su nuevo cajón calentador superará sus expectativas y se convertirá en un complemento indispensable para sus tareas culinarias.

Registre su producto

Visite el sitio web de Viking Range (vikingrange.com/register) para registrar su producto y crear una cuenta *Mi Viking* y disfrutar de estas ventajas:

- Registre sus compras con la posibilidad de rastrear la información de su producto en línea.
- Tenga acceso inmediato a sus números de serie, fechas de instalación y manuales de uso y mantenimiento.
- Vea y compre accesorios diseñados para sus productos registrados.
- Tenga la posibilidad de suscribirse para recibir periódicamente correos electrónicos con información sobre nuevos productos, nuevas e interesantes promociones, recetas y mucho más.

Regístrese ahora en vikingrange.com/register o complete y devuelva la tarjeta de registro incluida.

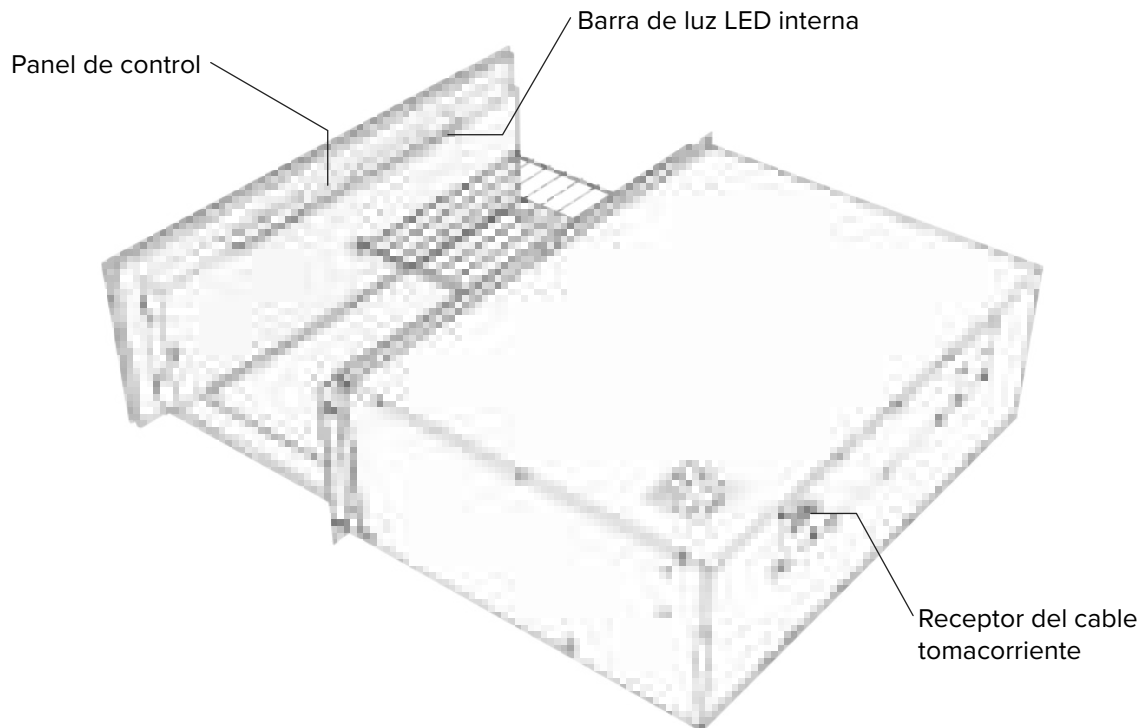
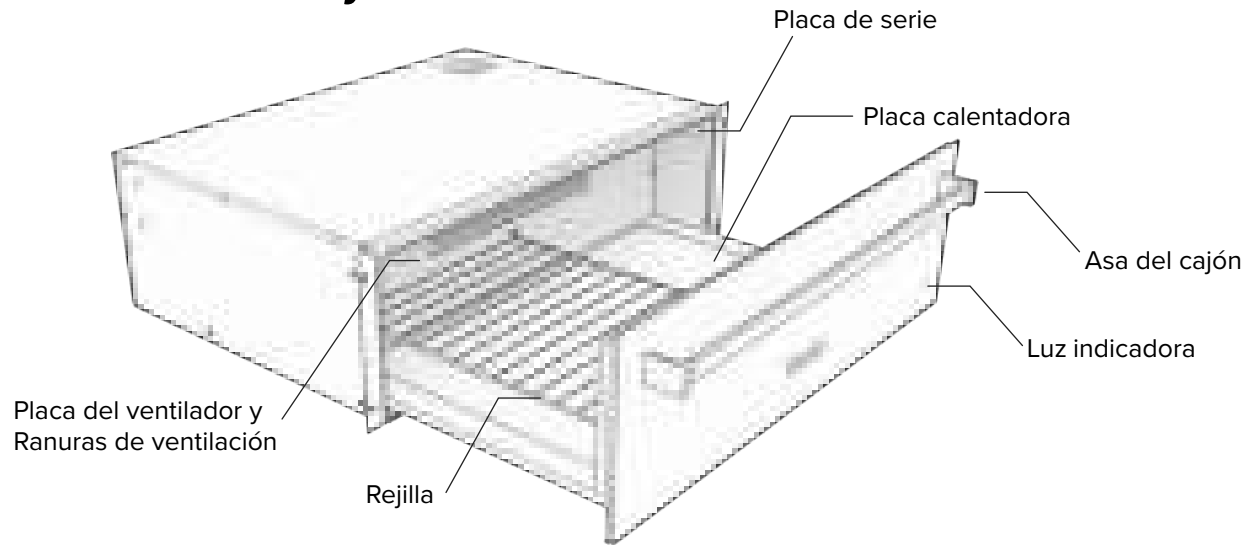
Cómo evitar daños en su artefacto

- No utilice objetos que puedan oxidarse en el cajón calentador.
- El uso de cuchillos o discos de corte causará daños visibles en la superficie calentadora de cristal.
- Evite sobrecargar o aplicar demasiado peso al cajón, ya que podría dañar las guías del cajón calentador. La carga máxima es de 55 libras (25 kg).
- Para evitar cualquier posibilidad de corrosión, deje que el cajón se ventile después de su uso. Esto es particularmente importante después de realizar un ciclo de calentamiento, ya que se genera mucho vapor.
- Cuando limpie el artefacto, para evitar la entrada de agua en los componentes eléctricos, no vierta ni rocíe líquido sobre la unidad ni a su alrededor. Utilice un paño húmedo.
- Evite colocar platos de cerámica sin recubrimiento o metal afilado directamente sobre la placa calentadora, ya que estos materiales pueden rayar o rajar la superficie de cristal.

Cómo evitar daños en el asa cromada negra

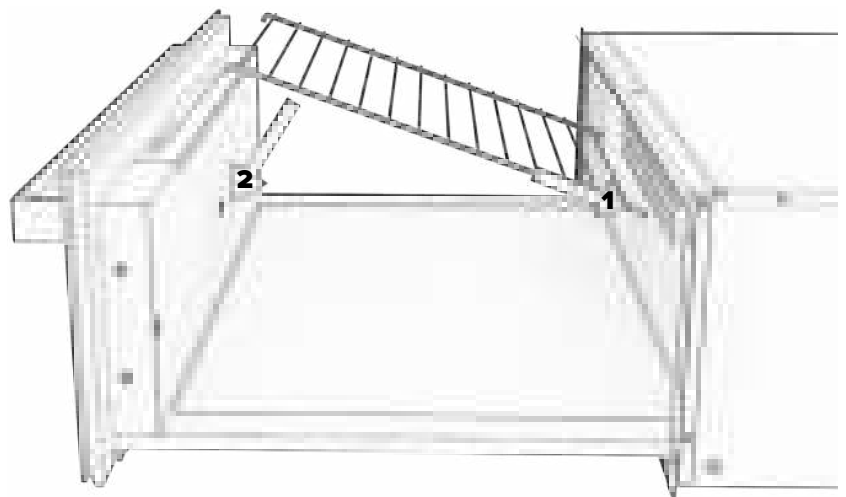
- Utilice solo limpiadores muy suaves o agua.
- Utilice únicamente paños de microfibra.
- El uso de toallas de papel o paños ásperos para la limpieza dejará marcas que son muy notables en los acabados de cromo negro.

Características y accesorios



La rejilla se puede insertar en el lado izquierdo o derecho del cajón calentador.

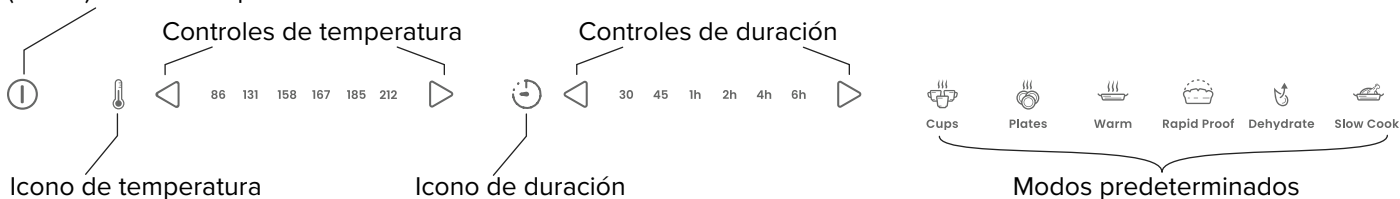
La rejilla añade un espacio extra para los platos de comida y asegura un flujo de aire óptimo alrededor de los alimentos que se están deshidratando.



Controles del panel de control

(Mantener) Encendido/Apagado

(Pulsar) Modo de espera



Uso de los controles

Este cajón calentador utiliza una interfaz táctil capacitiva, como su teléfono móvil inteligente. No es necesario ejercer presión para activar los controles.

Para utilizarlo, asegúrese de que el dedo hace suficiente contacto con el icono de control (ubicación del botón) y se mantiene pulsado el tiempo suficiente como para oír un pitido.

Tenga en cuenta que los dedos mojados o una interfaz de control húmeda pueden hacer que los controles se comporten de forma errática. Cuando utilice el cajón calentador, asegúrese de que tanto sus manos como la interfaz de control están limpias y secas.

Funcionamiento del cajón calentador

Modo de espera

- El cajón calentador se enciende automáticamente en el modo de espera cuando se enchufa.
- El botón de encendido se ilumina tenuemente para indicar que el cajón está en modo de espera.
- El modo de espera es un modo de bajo consumo que permite al cajón reanudar rápidamente la funcionalidad completa para su comodidad.

Ciclo general de funcionamiento

1. **DESPERTAR** - Toque el botón de encendido para despertar el cajón del modo de espera.
2. **SELECCIONAR PARÁMETROS** - Seleccione la función de calentamiento deseada del modo predeterminado, o la temperatura y duración deseadas. Si no se selecciona ninguna función, el cajón arrancará con el ajuste predeterminado de 86°F (30°C) durante 30 minutos.
3. **FUNCIONAMIENTO** - El calentamiento se iniciará y la luz indicadora se iluminará una vez que el cajón esté completamente cerrado.
 - PAUSA** - Si se abre el cajón durante el funcionamiento, el programa se detendrá. La luz indicadora parpadeará.
 - INFORMACIÓN DE FUNCIONAMIENTO** - La temperatura aproximada actual y la duración restante se pueden ver en cualquier momento a través de los números iluminados del panel de control.
 - AJUSTE DE PARÁMETROS** - Es posible ajustar la duración y la temperatura del cajón en cualquier momento durante su funcionamiento. Los Modos Predeterminados pueden ajustarse desde los parámetros predefinidos antes o durante el funcionamiento.
4. **CAMBIAR FUNCIONAMIENTO / CANCELAR** - Para cancelar el funcionamiento del cajón y/o cambiar el funcionamiento a otro modo, el cajón debe ponerse en reposo y despertarse de nuevo mediante el botón de encendido.
5. **FIN DE FUNCIONAMIENTO** - Sonará un tono cada 10 segundos durante un total de 5 veces, la luz indicadora se apagará y el símbolo de encendido se atenuará.

Tenga cuidado al descargar el cajón, la placa calentadora y su contenido estarán calientes.

NOTA:

- Para garantizar la seguridad y evitar posibles peligros, es importante no dejar el cajón calentador desatendido durante largos periodos de tiempo en funcionamiento continuo. La exposición prolongada al calor puede hacer que los alimentos se sequen e incluso suponer un riesgo de incendio.
- Tenga en cuenta de que su cajón calentador está diseñado con una función de seguridad integrada. Después de un máximo de 12 horas de funcionamiento continuo, el cajón cambiará automáticamente al modo de espera, proporcionando una capa adicional de protección.
- Para medir la temperatura con precisión, no confíe en el ajuste de temperatura que aparece en pantalla, utilice un termómetro. El ajuste de temperatura indica la temperatura aproximada de la placa de cristal calentadora. Además, el artefacto funciona por ciclos de calentamiento, lo que hace que el calor del cajón fluctúe.

Explicación de los Modos Predeterminados



Tazas - El calor circula desde el plato calentador

- Se hace circular calor a 131°F (55°C) durante 30 minutos.
- El tiempo de calentamiento variará en función del material, grosor, cantidad, altura y disposición de las tazas.
- No bloquee las ranuras de ventilación de la parte posterior del cajón con tazas o vasos. Interrumpiría el flujo de aire y provocaría un calentamiento desigual.
- Se tarda aproximadamente 30 minutos en calentar 6 tazas.
- **PRECAUCIÓN: ¡Pueden producirse quemaduras! La superficie del plato calentador está muy caliente. Los objetos situados cerca de los bordes del cajón se calientan más que los situados en el centro. Para manipular los platos con seguridad, utilice siempre guantes protectores o paños para horno.**



PLATOS - El calor circula desde la placa calentadora

- Se hace circular calor a 167°F (75°C) durante 45 minutos.
- El tiempo de calentamiento variará en función del material, grosor, cantidad, altura y disposición de los platos.
- Distribuya los platos uniformemente por toda la placa calentadora. Apilar los platos aumentará el tiempo que tardan en calentarse en comparación a colocar cada artículo individualmente.
- No bloquee las ranuras de ventilación de la parte posterior del cajón con platos grandes. Interrumpiría el flujo de aire y provocaría un calentamiento desigual.
- Se tarda unos 45 minutos en calentar 6 platos.



CALENTAR - El calor circula desde la placa calentadora y el ventilador trasero

- Precaliente el cajón durante al menos 15 minutos antes de utilizarlo.
- Se produce calor a 185°F (85°C) durante 60 minutos.
- Proporciona un calor suave y uniforme para mantener caliente la temperatura de los alimentos cocinados y dejarlos listos para servir.
- Para evitar derrames, evite llenar demasiado el cajón. Evite que los alimentos se sequen cubriéndolos con una tapa resistente al calor o con papel de aluminio.
- **PRECAUCIÓN: El modo CALENTAR es para mantener los alimentos calientes después de cocinarlos, no para recalentar alimentos refrigerados. Evite colocar ollas calientes directamente sobre la placa calentadora para evitar daños. Utilice el modo CALENTAR solo para mantener calientes los alimentos.**



FERMENTAR - Se genera un calor suave desde la placa calentadora

- Se produce calor a 86°F (30°C) durante 30 minutos.
- Ideal para la elaboración de pan o pizza. Crea un ambiente cálido y sin corrientes de aire perfecto para fermentar la masa.



DESHIDRATAR - El calor circula desde la placa calentadora y el ventilador trasero

- Se hace circular calor a 158°F (70°C) durante 4 horas.
- Proporciona un calor suave y constante para deshidratar y secar alimentos (carne, fruta, verduras y hierbas).
- Perfecto para conservar alimentos y hacer aperitivos nutritivos como cecina y fruta deshidratada.
- Para obtener resultados óptimos, coloque los alimentos planos en la rejilla sin superponerlos.
- Cuando deshidrate carne, recuerde darle la vuelta a mitad del tiempo de cocción para garantizar un secado uniforme.
- Guarde los alimentos deshidratados en un recipiente hermético una vez que se hayan enfriado completamente.



COCCIÓN LENTA - El calor circula desde la placa calentadora y el ventilador trasero

- Se hace circular calor a 212°F (100°C) durante 6 horas.
- Perfecto para dar el toque final a la carne cocinada a baja temperatura, como carnes asadas, guisos, pucheros y estofados.
- No es necesario dejar reposar la carne antes de servirla cuando se utiliza la cocción a baja temperatura. La carne se puede trincar y servir directamente desde el cajón.

Funciones adicionales

Inicio diferido

El Inicio Diferido encenderá automáticamente el cajón calentador una vez que el tiempo de duración haya llegado a cero, y luego se apagará al final de un ciclo.

1. **DESPERTAR** - Toque el botón de encendido para despertar el cajón del modo de espera.
2. **SELECCIONAR PARÁMETROS** - Seleccione la función de calentamiento deseada del modo predeterminado, o la temperatura y duración deseadas.
3. **ACTIVAR INICIO DIFERIDO** - Toque y mantenga pulsado el botón de la flecha derecha de duración durante 5 segundos (sonarán 5 clics) o hasta que el icono de duración empiece a parpadear para activar la función de inicio diferido.
4. **INTRODUZCA EL TIEMPO DE RETRASO** - Pulse los botones de flecha izquierda y derecha para cambiar la cantidad de tiempo que se retrasa la operación.
5. **INICIO DIFERIDO** - Cierre el cajón para iniciar la función de inicio diferido. La luz indicadora de la parte frontal del cajón comenzará a parpadear, de forma similar a cuando el cajón ha pausado su operación actual porque está abierto.
6. **INICIO DEL FUNCIONAMIENTO** - La luz indicadora se encenderá de forma fija cuando el inicio diferido haya finalizado y el cajón haya comenzado automáticamente su funcionamiento.

Modo Sabbath

El Modo Sabbath está diseñado específicamente para las creencias religiosas que observan el requisito de abstenerse de trabajar en Sabbath. Este modo permite que el aparato funcione durante un máximo de 72 horas sin activar las funciones de desconexión de seguridad e iluminación, excepto en caso de desperfecto.

1. **DESPERTAR** - Toque el botón de encendido para despertar el cajón del modo de espera.
2. **SELECCIONAR PARÁMETROS** - Seleccione la temperatura y duración deseadas.
3. **ACTIVAR MODO SABBATH** - Mantenga pulsado el botón de encendido durante 10 segundos (sonarán 10 clics). Los iconos de temperatura y duración parpadearán 3 veces para indicar la activación del Modo Sabbath. Todas las luces dejarán de funcionar en este momento.
4. **MODO SABBATH ACTIVO** - El cajón calentador funcionará hasta 72 horas sin activar las funciones de Apagado de Seguridad e iluminación.

Desactivar el Modo Sabbath.

DESACTIVAR MODO SABBATH - Mantenga pulsado el botón de encendido durante 10 segundos y suéltelo. Los iconos de temperatura y duración parpadearán 3 veces para indicar la desactivación del Modo Sabbath. Toda la iluminación comenzará a funcionar en este momento.

Limpieza y cuidados

- Antes de realizar cualquier operación rutinaria de limpieza o mantenimiento en el cajón calentador, es importante asegurarse de que el cajón está frío y en modo de espera. Limpiar el cajón cuando aún está caliente puede provocar la evaporación de agua calcárea y productos químicos, lo que puede dañar el acabado del cajón.
- No utilice el cajón para hervir líquidos o limpiar con alta presión o vapor. Los componentes eléctricos no están impermeabilizados para protegerlos de la humedad excesiva.
- No utilice productos de limpieza abrasivos o cáusticos, limpiador de acero inoxidable, estropajos, lana de acero, etc., ya que pueden dañar la superficie.

Limpieza del exterior

- No deje reposar ninguna solución limpiadora. Si la utiliza, aplíquela y retírela rápidamente. Utilice un paño suave y húmedo. Añada una gota de jabón líquido de manos al paño para eliminar el aceite y la grasa.

Limpieza del interior

- Limpie inmediatamente cualquier suciedad del interior del cajón. Tenga cuidado si la suciedad derramada está caliente.
- El panel de control, la placa calentadora y la placa de ventilación deben limpiarse con un paño suave húmedo. Añada una gota de jabón líquido de manos al paño para eliminar el aceite y la grasa.

Solución de problemas

Si un fallo no aparece en la siguiente lista o no puede solucionarse, póngase en contacto con el Servicio Técnico de Viking.

Problema	Posibles causas	Solución
Los platos y/o los alimentos permanecen fríos.	El artefacto no está encendido.	Pulse el botón de encendido para activar el cajón calentador.
	Interrupción del suministro eléctrico.	Asegúrese de que su cajón calentador está bien enchufado tanto al tomacorriente como a la parte posterior del propio cajón. Además, compruebe el interruptor de alimentación de su cocina.
	El cajón no está bien cerrado.	Compruebe que el cajón calentador está completamente cerrado y que la luz indicadora no parpadea.
La vajilla y/o los alimentos no están suficientemente calientes.	La duración del calentamiento es demasiado corta.	Aumente la duración del calentamiento.
	El cajón no está bien cerrado.	Vuelva a comprobar que el cajón está bien cerrado y asegúrese de que el calor no se escapa por la parte delantera del artefacto.
	La temperatura no está lo suficientemente alta.	Seleccione una temperatura más alta.
	La circulación de aire y calor no es adecuada.	Reorganice la disposición de los platos en el cajón.
La luz indicadora parpadea constantemente mientras el cajón permanece cerrado.	El parpadeo de la luz indicadora confirma que el cajón está bien cerrado y que se ha programado un inicio diferido.	Para reiniciar, apague el cajón y vuelva a encenderlo utilizando el botón de encendido. o Cierre el cajón y deje que la función de diferido siga su curso.
	El cajón está abierto y se ha interrumpido una operación.	Cierre el cajón para continuar la operación.
La luz indicadora no se enciende cuando el cajón está en funcionamiento.	El modo Sabbath está activado.	Desactive el modo Sabbath manteniendo pulsado el botón de encendido durante 10 segundos.
	La lámpara piloto está defectuosa.	Contacte con el Servicio Técnico Preferente de Viking.
El panel de control no responde al tacto.	El modo Sabbath está activado.	Desactive el modo Sabbath manteniendo pulsado el botón de encendido durante 10 segundos.
	El panel de control está defectuoso.	Contacte con el Servicio Técnico Preferente de Viking.
	Interrupción del suministro eléctrico.	Asegúrese de que su cajón calentador está bien enchufado tanto al tomacorriente como a la parte posterior del propio cajón. Además, compruebe el interruptor de alimentación de su cocina.
El cajón no puede abrirse ni cerrarse.	El mecanismo tire-empuje está defectuoso.	Contacte con el Servicio Técnico Preferente de Viking.
La tira LED interna no se ilumina.	Interrupción del suministro eléctrico.	Asegúrese de que su cajón calentador está bien enchufado tanto al tomacorriente como a la parte posterior del propio cajón. Además, compruebe el interruptor de alimentación de su cocina.
	La tira LED está defectuosa.	Contacte con el Servicio Técnico Preferente de Viking.

Tablas de cocción

Las tablas de cocción indicadas son orientativas. Consulte su receta o el envase del alimento y esté preparado para ajustar los tiempos de cocción y los ajustes según sea necesario.

Casos de uso general

Caso práctico	Cocción predeterminada	Duración	Nota
Fundir chocolate	Tazas	30 minutos	Utilizar utensilios de cocina resistentes al calor y dejarlos destapados.
Cocción por tandas (Tostadas, tortitas, tortillas)	Calentar	1 hora	Utilice utensilios de cocina resistentes al calor y tápelos.
Mantener el pan caliente	Deshidratar	30 minutos	Coloque los alimentos directamente en la placa calentadora. Dejar destapado
Descongelamiento delicado (pasteles de crema, mantequilla, queso, etc.)	Fermentar	30 minutos - 1 hora	Mantener en el envase
Descongelamiento de alimentos congelados (carne, pasteles, etc)	Tazas	30 minutos	Mantener en el envase

Función Secar / Deshidratar

Caso práctico	Cocción predeterminada	Duración	Nota
Fruta (manzana, pera, banana, durazno, ananá, damasco, etc.)	Deshidratar	4 - 6 horas	Colóquela directamente en la rejilla y déjela al descubierto.
Verduras (Zanahorias, arvejas, frijoles, champiñones, tomates, etc.)	Deshidratar	4 - 6 horas	Colóquela directamente en la rejilla y déjela al descubierto.
Raíz (Jengibre)	Deshidratar	4 - 6 horas	Colóquela directamente en la rejilla y déjela al descubierto.
Hierbas (Romero, eneldo, tomillo, laurel, orégano, etc.)	Deshidratar	2 - 4 horas	Colóquela directamente en la rejilla y déjela al descubierto.

Función de fermentación rápida

Caso práctico	Cocción predeterminada	Duración	Nota
Pan / Masa de pizza	Fermentar	30 minutos	Colóquela en un recipiente resistente al calor y cúbrala con un paño húmedo.
Yogurt	Fermentar	5 - 8 horas	Déjelo cubierto con una tapa. Utilice recipientes de cristal resistentes al calor o bol para postres.
Disolver gelatina	Fermentar	30 minutos	Utilizar utensilios de cocina resistentes al calor, dejar destapado

Para confort

Caso práctico	Cocción predeterminada	Temperatura	Duración	Nota
Almohadilla térmica casera (Trigo, Arroz, Maíz)	Cocinar a fuego lento	212°F (100 °C)	45 - 60 minutos	Colocar directamente sobre la placa calentadora. El calentamiento lento reduce el riesgo de deterioro o quemaduras
Toallas Calentadoras	Placas	158 °F - 185°F (70 - 85 °C)	45 - 60 minutos	Humedezca paños o toallas, enróllelos y colóquelos directamente sobre la placa calentadora. <u>Utilice solo materiales naturales. Los materiales sintéticos se derretirán sobre la placa calentadora.</u>

Cocción a baja temperatura

La carne debe estar previamente sellada antes de cocinarla a baja temperatura.

La temperatura de 215°F (102°C) es ideal para cocinar a baja temperatura y conseguir un acabado perfectamente chamuscado en cortes de carne pequeños y medianos de alta calidad, como ternera, cordero, cerdo y buey. Es importante tener en cuenta que el grosor de la carne no debe ser superior a 2³/₈" (6 cm). Para piezas de carne más grandes, sugerimos utilizar un horno o un horno de vapor.

Al cocinar la carne a una temperatura más baja durante más tiempo, puede conseguir un resultado tierno y jugoso.

Prepare la carne

- Utilice una batería de cocina de cristal, porcelana o cerámica adecuada.
- Precaliente el cajón que contiene la batería de cocina en el nivel de ajuste.
- Caliente rápidamente un poco de grasa en una sartén.
- Dore la carne.
- Coloque la carne en la batería de cocina precalentada en el cajón para que se cocine bien. Cubra la batería de cocina con una tapa.

Los siguientes tiempos se refieren al proceso de sellado de la carne en grasa caliente.

Plato	Cocción predeterminada	Peso	Tiempo de dorado (min/lado)	Temperatura interna	Tiempo de cocción en el cajón calentador
Bife ancho					
Cocción a la inglesa (sellada)	Cocinar a fuego lento	3.5 - 10.5 oz (100 - 300 g)	1 - 2	120°F (50°C)	30-60 minutos
Poca cocción	Cocinar a fuego lento	3.5 - 10.5 oz (100 - 300 g)	2 - 3	130°F (55°C)	30-60 minutos
Medio	Cocinar a fuego lento	3.5 - 10.5 oz (100 - 300 g)	3	140°F (60°C)	30-60 minutos
Cocción a tres cuartos	Cocinar a fuego lento	3.5 - 10.5 oz (100 - 300 g)	3 - 4	150°F (65°C)	30-60 minutos
Bien cocido	Cocinar a fuego lento	3.5 - 10.5 oz (100 - 300 g)	4 - 5	160°F (70°C)	30-60 minutos
Filete de ternera					
Medio	Cocinar a fuego lento	2 - 4 lbs (1-3 kg)	5 - 8	130°F (55°C)	4 - 6 horas
Paleta de cordero					
Medio	Cocinar a fuego lento	2 - 4 lbs (1-3 kg)	5 - 8	130°F (55°C)	4 - 6 horas
Jamón deshuesado	Cocinar a fuego lento	2 - 4 lbs (1-3 kg)	5 - 8	150°F (65°C)	4 - 6 horas

La carne cocinada a baja temperatura no está tan caliente como la cocinada de forma convencional. Sirva las salsas muy calientes. Coloque los platos en el cajón calentador durante los últimos 45-60 minutos de cocción.

Para mantener caliente la carne cocinada a baja temperatura, cambie de nuevo a 165°F (74°C) después de la cocción. Las piezas pequeñas pueden permanecer calientes hasta 45 minutos y las grandes hasta 2 horas.

Información sobre el servicio

Solo se pueden utilizar piezas de repuesto autorizadas para realizar el servicio en el electrodoméstico.

NO repare ni sustituya ninguna pieza del artefacto a menos que se recomiende específicamente en el manual. Para cualquier otro tipo de mantenimiento, diríjase a un técnico calificado.

Comuníquese con Viking Range Corporation, 1-888-VIKING1 (845-4641) para conocer el distribuidor de repuestos más cercano en su área o escriba a:

Viking Range, LLC
PREFERRED SERVICE
111 Front Street
Greenwood, Mississippi 38930 USA

Asegúrese de anotar la información que figura a continuación: La necesitará si alguna vez requiere el servicio. El modelo y número de serie de su cajón calentador se encuentran en la placa de serie en la parte derecha de la cubierta externa del cajón calentador. (Consulte la sección de Características y accesorios para averiguar la ubicación)

Nº de modelo _____

Nº de serie _____

Fecha de compra _____

Fecha de instalación _____

Nombre del distribuidor _____

Dirección _____

Si el servicio requiere la instalación de piezas, use solo piezas autorizadas para asegurar la protección bajo la garantía.

Estas instrucciones de instalación deben permanecer con la unidad para una referencia futura.

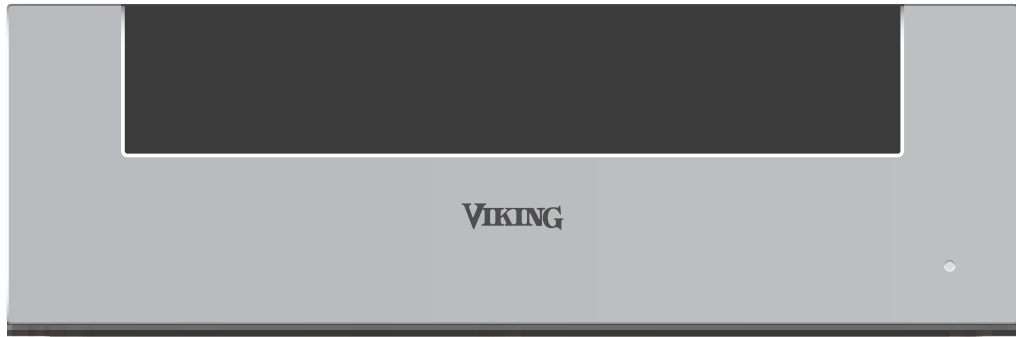
Viking Range, LLC
Calle principal 111
Greenwood, Misisipi 38930 EE. UU.
(662) 455-1200

Para obtener información sobre el producto,
llame al 1-888-845-4641 o visite nuestro sitio
web en vikingrange.com

Se deja en blanco intencionalmente

Se deja en blanco intencionalmente

V I K I N G
R V L



Installation + Mode d'emploi

RVL - Tiroir chauffant 30"

MVWDE6301BG | MVWDE6301SS

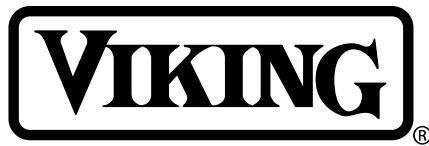


Table des matières

Consignes de sécurité importantes	FR-83	Spécifications des armoires à tiroirs chauffants - Four mural double avec un tiroir chauffant (MVDOE6301 et MVWDE6301)	FR-102
Sécurité	FR-84	Dimensions de l'armoire d'installation standard	FR-102
Sécurité d'installation	FR-85	Révélation sur les produits d'installation standard	FR-103
Installation du produit	FR-86	Dimensions des armoires encastrées	FR-104
Préparation de l'installation	FR-86	Installation encastrée Révélation sur les produits	FR-105
Installateurs, il est de votre responsabilité de...	FR-86	Installation	FR-106
Dimensions et spécifications du produit. . .	FR-88	Mesure finale et réglage du panneau avant en verre	FR-107
Exigences d'alimentation	FR-88	Liste de vérification finale de l'installation.	FR-108
Dimensions	FR-89	Remarques	FR-109
Spécifications des armoires - Autonome . .	FR-90	Utilisation et entretien.	FR-110
Dimensions de l'armoire - Découpe de l'armoire sans produit	FR-90	Bienvenue et merci	FR-110
Dimensions d'installation du produit - Découpe d'armoire avec révélations de produit	FR-91	Enregistrez votre produit	FR-110
Dimensions des armoires encastrées - Découpe d'armoire sans produit	FR-92	Comment éviter d'endommager votre appareil	FR-110
Dimensions d'installation du produit encastré - Découpe d'armoire avec produit	FR-93	Caractéristiques et accessoires	FR-111
Spécifications des armoires à 3 piles - Four mural simple, four à vapeur et tiroir chauffant (MVSOE3601, MVSOC6301 et MVWDE6301)	FR-94	Contrôles du panneau de commande	FR-112
Dimensions de l'armoire d'installation standard	FR-94	Utilisation des commandes	FR-112
Révélation sur les produits d'installation standard	FR-95	Utilisation du tiroir-réchaud	FR-112
Dimensions des armoires encastrées	FR-96	Mode Veille	FR-112
Installation encastrée Révélation sur les produits	FR-97	Cycle de fonctionnement général	FR-112
Spécifications des armoires côte à côte - Four mural simple, four à vapeur et tiroir chauffant (MVSOE3601, MVSOC6301 & MVWDE6301)	FR-98	Explication des modes prédéfinis	FR-113
Dimensions de l'armoire d'installation standard	FR-98	Fonctions supplémentaires	FR-114
Révélation sur les produits d'installation standard	FR-99	Départ différé	FR-114
Dimensions des armoires encastrées	FR-100	Mode Sabbat	FR-114
Installation encastrée Révélation sur les produits	FR-101	Nettoyage et entretien	FR-114
		Dépannage	FR-115
		Tableaux de cuisson	FR-116
		Cas d'utilisation généraux	FR-116
		Fonction Sécher / Déshydrater	FR-116
		Fonction Séchage rapide	FR-116
		Bien-être	FR-116
		Cuisson à basse température	FR-117
		Préparation de votre viande	FR-117
		Renseignements de service.	FR-118

Consignes de sécurité importantes

À lire et à suivre!

AVERTISSEMENT

Si les consignes contenues dans ce manuel ne sont pas suivies avec précision, un incendie ou une explosion peuvent se produire et causer des dommages à la propriété, des lésions corporelles ou la mort.

AVERTISSEMENT

Dangers ou pratiques dangereuses qui **ENTRAÎNERONT** des blessures corporelles graves ou un décès.

DANGER

Dangers ou pratiques dangereuses qui **POURRAIENT** entraîner un décès ou des blessures graves.

DANGER

Dangers ou pratiques dangereuses qui **POURRAIENT** entraîner un décès ou des blessures graves.

Tous les messages de sécurité identifieront le danger, vous indiqueront la manière de réduire les risques de blessures et vous dire ce qui peut arriver si les consignes ne sont pas suivies.

AVERTISSEMENT

- Pour réduire le risque d'incendie, de choc électrique ou de blessure, les travaux d'installation et le câblage électrique doivent être effectués par des personnes qualifiées conformément à tous les codes et à toutes les normes applicables, y compris les conditions de résistance au feu.



- **RISQUE DE CHOC ÉLECTRIQUE** - Cet appareil est équipé d'un cordon d'alimentation à 3 broches avec une fiche de mise à la terre pour vous protéger contre les risques d'électrocution, et doit être branché directement dans une prise correctement mise à la terre. Utilisez uniquement le cordon d'alimentation fourni avec l'appareil.
- Pour éviter d'endommager les armoires et les finitions des armoires, utilisez uniquement des matériaux et des finitions qui ne se décolorent pas ou ne se décolent pas et résisteront à

des températures allant jusqu'à 194 °F (90 °C). Un adhésif résistant à la chaleur doit être utilisé si le produit doit être installé dans des armoires stratifiées. Vérifiez auprès de votre constructeur ou fournisseur d'armoires, afin de vous assurer que les matériaux répondent à ces exigences.



- **DANGER DE BASCULEMENT** - Ce produit peut basculer. Tenir loin des enfants et faire attention. Le non-respect de ces conseils peut entraîner des blessures. Le tiroir doit être fixé en place par les vis fournies.
- **DANGER DE COUPURE** - Ne pas faire preuve de prudence peut entraîner des blessures. Attention: certains rebords peuvent être coupantes. Ne mettez pas les doigts dans le tiroir lors de la fermeture.
- N'utilisez pas l'appareil pour un usage autre que celui prévu.

MISE EN GARDE

- Si vous remarquez que de la fumée peut provenir de l'appareil lui-même ou de l'intérieur du tiroir chauffant, maintenez le tiroir fermé et débranchez-le de l'alimentation électrique.
- Les accessoires chauffent dans le tiroir chauffant. Utilisez des gants de protection ou des torchons.
- Étant donné qu'il existe un risque de blessure, veillez à ne pas approcher les doigts des ouvertures et des bords du tiroir lorsque le tiroir se

ferme. Des précautions particulières doivent être prises lorsque des enfants se trouvent à proximité.

- Lorsqu'il est ouvert, le tiroir présente un risque de trébuchement ou de blessure! Ne vous asseyez ou ne vous reposez pas sur le tiroir, et ne l'utilisez pas comme surface de rangement.
- Les matériaux d'emballage, par ex., film plastique et polystyrène, peuvent être dangereux pour les enfants. Danger de suffocation! Gardez le matériel d'emballage hors de la portée des enfants.

CONSERVEZ CES CONSIGNES

CONSERVEZ CES CONSIGNES

Sécurité

- NE retirez PAS les étiquettes, les avertissements ou les plaques apposés en permanence du produit. Cela peut annuler la garantie.
- Tous les codes et toutes les ordonnances locaux et nationaux doivent être respectés. L'installation doit être conforme aux codes locaux ou, en l'absence de codes, au Code national de l'électricité, ANSI/NFPA 70 - dernière édition.
- L'installateur doit laisser ces consignes au consommateur qui doit les conserver pour l'usage de l'inspecteur local et à titre de référence future.
- Pour vous protéger des chocs électriques et des dommages à votre appareil, ne plongez pas le cordon d'alimentation ou la fiche dans l'eau ou tout autre liquide. Évitez de renverser de grandes quantités de liquide sur ou autour de l'appareil, car cela pourrait provoquer des courts-circuits, endommager les composants électroniques et devenir un risque d'incendie. N'utilisez en aucun cas un nettoyeur à vapeur pour nettoyer l'appareil.
- Cet appareil peut être utilisé par des enfants âgés de 8 ans et plus et par des personnes ayant des capacités physiques, sensorielles ou mentales réduites, ou un manque d'expérience et/ou de connaissances, à condition qu'ils soient surveillés ou qu'ils aient été formés pour utiliser en toute sécurité l'appareil et qu'ils aient compris les dangers encourus. Les enfants ne doivent pas jouer avec l'appareil. Le nettoyage et l'entretien ne doivent pas être effectués par des enfants sans surveillance.
- L'appareil et ses pièces internes chauffent pendant l'utilisation. Veillez à ne pas toucher les éléments chauffants. Éloignez les petits enfants.
- Si la plaque chauffante est fissurée, éteignez immédiatement l'appareil et débranchez-le de la source d'alimentation pour éviter tout risque d'électrocution.
- L'appareil peut être utilisé à la maison pour préparer des aliments. En aucun cas, ne flambez ou ne cuisez pas des aliments avec beaucoup de matière grasse dans le tiroir chauffant! Aucune responsabilité n'est assumée pour les dommages causés par une mauvaise utilisation ou une manipulation incorrecte.
- N'utilisez jamais l'appareil pour sécher des animaux, des textiles ou du papier!
- N'utilisez pas l'appareil comme chauffage d'ambiance.
- Toute réparation, modification ou manipulation de l'appareil, ne peut être effectuée que par le fabricant, par Viking Preferred Service ou une personne de qualification similaire. Les réparations effectuées de manière incorrecte peuvent entraîner des blessures graves, des dommages à l'appareil et aux accessoires ainsi qu'affecter le fonctionnement de l'appareil. Si l'appareil ne fonctionne pas correctement ou si une réparation est nécessaire, suivez les consignes données dans la section Dépannage, Renseignements de service ou Garantie. Veuillez communiquer avec Viking Preferred Service, si nécessaire.
- Utilisez uniquement des pièces de rechange d'origine.
- Conservez ces instructions d'utilisation à titre de référence future.
- L'utilisation d'accessoires non recommandés par le fabricant peut entraîner des blessures.
- Une extrême prudence doit être utilisée lors du déplacement d'un appareil contenant de l'huile chaude ou d'autres liquides chauds.
- N'utilisez pas d'objets susceptibles de rouiller dans le tiroir chauffant.
- L'utilisation de couteaux ou de molettes dans le tiroir endommagera visiblement la surface.
- Pour éviter la corrosion, laissez le tiroir ouvert jusqu'à ce que l'espace de cuisson ait refroidi.
- Lors du nettoyage de l'appareil, assurez-vous qu'aucune eau ne pénètre à l'intérieur. Utilisez un chiffon humide. Ne vaporisez pas d'eau à l'extérieur ou à l'intérieur de l'appareil. Si de l'eau pénètre à l'intérieur de l'appareil, cela causera des dommages.
- Ne forcez jamais l'ouverture du tiroir.
- Ne l'utiliser pas à l'extérieur

CONSERVEZ CES CONSIGNES

CONSERVEZ CES CONSIGNES

Sécurité d'installation

- L'appareil doit être installé uniquement par du personnel qualifié.
- Si le câble d'alimentation de cet appareil est endommagé, il doit être remplacé par le fabricant, Viking Preferred Service ou une personne de qualification similaire, afin d'éviter tout danger.
- Chaque étape doit être effectuée et vérifiée intégralement dans l'ordre spécifié. Avant d'utiliser pour la première fois des appareils entièrement intégrés, la façade de l'armoire doit être montée correctement, car les pièces métalliques derrière la façade de l'armoire chauffent pendant le fonctionnement.
- Les raccordements électriques doivent être effectués par du personnel qualifié conformément aux codes locaux ou, en l'absence de codes locaux, au National Electric Code, ANSI/NFPA-70 - dernière édition.
- Un appareil enfichable ne peut être connecté qu'à une prise de courant avec contact de mise à la terre, installée conformément aux codes locaux ou, en l'absence de codes locaux, au National Electric Code, ANSI/NFPA-70 - dernière édition. Les interrupteurs, les dispositifs à fiches et prises, les disjoncteurs et les fusibles qui sont accessibles après l'installation sont autorisés comme dispositifs de sectionnement. Une mise à la terre efficace et des conducteurs de neutre et de terre installés séparément garantissent un fonctionnement sûr et sans défaut. Après l'installation, les pièces sous tension et les câbles avec une isolation de base ne doivent pas être accessibles. Vérifiez les anciennes installations.
- Reportez-vous à la plaque signalétique pour obtenir des renseignements sur la tension secteur requise, le type de courant et la protection par fusible.
- Lorsque combiné à un autre appareil, assurez-vous que chaque appareil dispose de sa propre prise de courant.
- Évitez de partager la prise de courant pour éviter un arrêt accidentel de l'appareil.
- N'utilisez pas de rallonge ou de dispositif de prise électrique portable (par ex., une boîte multiprise) pour connecter le tiroir à l'alimentation électrique. Assurez-vous que le cordon d'alimentation est situé de sorte qu'il ne soit pas soumis à des dommages ou à des contraintes.
- Des réparations efficaces ne peuvent être garanties que s'il est possible de désinstaller l'appareil complet à tout moment sans causer de dommages.
- N'utilisez aucun appareil avec un cordon ou une prise endommagés, ou après que l'appareil fonctionne mal ou a été endommagé de quelque manière que ce soit.
- Branchez toujours le cordon d'alimentation fourni sur l'appareil en premier, puis branchez le cordon dans la prise murale. Pour débrancher, éteignez complètement le tiroir chauffant, puis retirez la fiche du cordon d'alimentation de la prise murale.

INSTALLATION DU PRODUIT

Préparation de l'installation

Installateurs, il est de votre responsabilité de...

- Respecter les spécifications et les dimensions d'installation.
- Assurez-vous que vous disposez des outils et du matériel nécessaires pour installer l'appareil.
- Installer correctement l'unité.
- Fournissez une prise électrique correctement mise à la terre.
- Retirez toute moulure ou tout panneau décoratif qui empêche l'entretien de l'appareil.
- Toute installation ne correspondant pas aux spécifications décrites dans ces consignes annulera la garantie du fabricant.

Renseignements sur la conception

Le tiroir chauffant peut être installé seul dans une armoire ou sous d'autres appareils, comme un four à vapeur, un four mural, un four à cuisson rapide ou un autre tiroir chauffant. Le tiroir chauffant peut également être installé côte à côte, sous un comptoir ou sous des tables de cuisson spécifiées. Lors de l'installation de cet appareil directement sous d'autres appareils, installez-le uniquement avec les produits intégrés Viking Range, LLC.

IMPORTANT: Reportez-vous toujours aux consignes d'installation individuelles fournies avec chaque produit pour connaître les exigences spécifiques.

Accessoires et pièces inclus

- Étagère en fil métallique
- 4 vis de montage - Torx 20

Outils dont vous pourriez avoir besoin

- Foret et Perceuse électrique 1/8"
- Tournevis Torx 20

Retirez l'emballage et les accessoires avant l'installation

- Si vous ne retirez pas les matériaux d'emballage, vous risquez d'endommager l'appareil.
- Retirez le tiroir chauffant et la boîte d'accessoires de l'emballage. Recyclez les matériaux qui peuvent être réutilisés. Éliminez les matériaux d'emballage conformément aux réglementations locales sur l'élimination des déchets.
- Inspectez le tiroir chauffant pour tout signe de dommage. N'installez pas le tiroir chauffant s'il a été endommagé. Si le produit est endommagé, communiquez avec votre revendeur local.
- Ouvrez le tiroir et retirez toutes les pièces d'emballage, la trousse de documentation et le support d'accessoires de l'intérieur du tiroir chauffant.
- Retirez la protection, le film et les étiquettes sur la porte extérieure et le panneau de commande.
- Localisez le paquet de pièces contenant les vis de montage.

Préparez l'emplacement d'installation

- Il est de la responsabilité de l'installateur de se conformer aux codes locaux. Si aucun code local n'est applicable, câblez conformément au Code national de l'électricité, ANSI/NFPA-70 – dernière édition.
- L'interrupteur de déconnexion, le disjoncteur ou la fiche/prise de connexion du cordon d'alimentation doit être facilement accessible à l'opérateur.
- Unité de mise à la terre selon les codes électriques applicables.

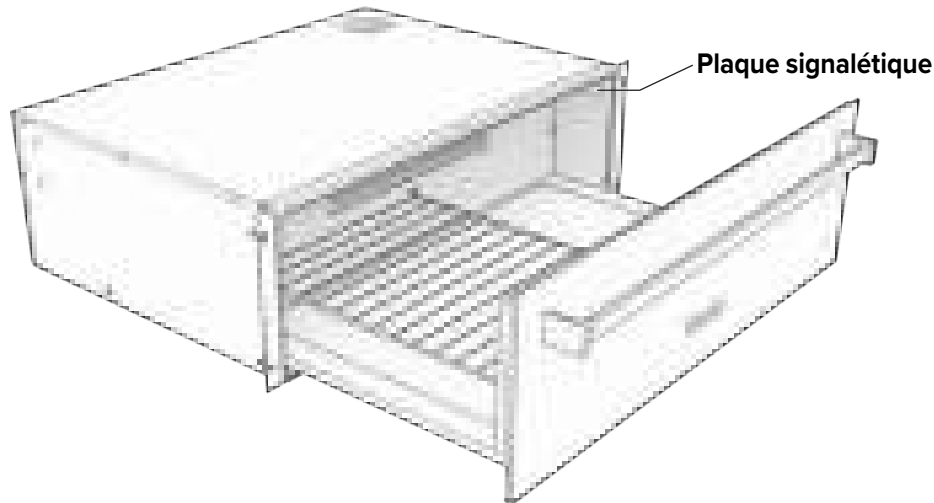
Page laissée blanche intentionnellement

Dimensions et spécifications du produit

Exigences d'alimentation

Description	MVWD6301
Longueur du cordon d'alimentation	70 7/8" [1800 mm]
Prise de courant	Mise à la terre à 3 broches
Alimentation	110 VAC, 60 Hz
Service	Circuit de 10 amp
Consommation d'énergie maximale (watts)	810 watts
Consommation d'énergie minimale (arrêt)	.5 watts

* La prise de courant doit être mise à la terre et située à moins de 35 7/16 po (900 mm) du centre du produit.



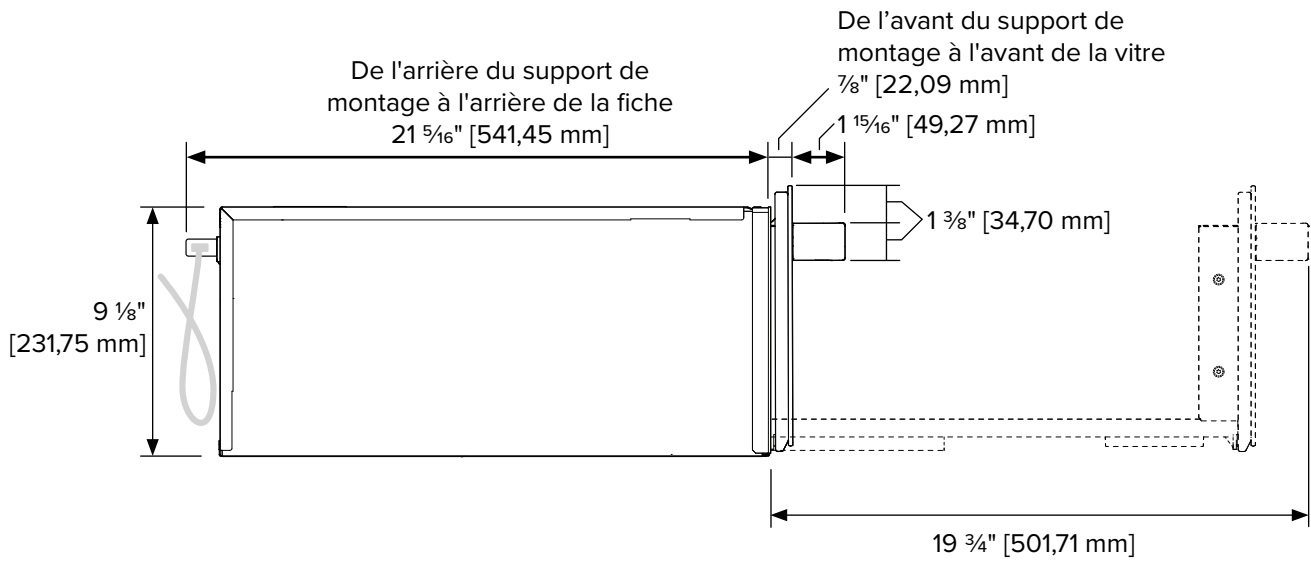
Placa de serie

- La plaque signalétique est visible lorsque le tiroir est complètement ouvert.
- La plaque signalétique contient des renseignements concernant les exigences d'alimentation et les pièces de rechange.

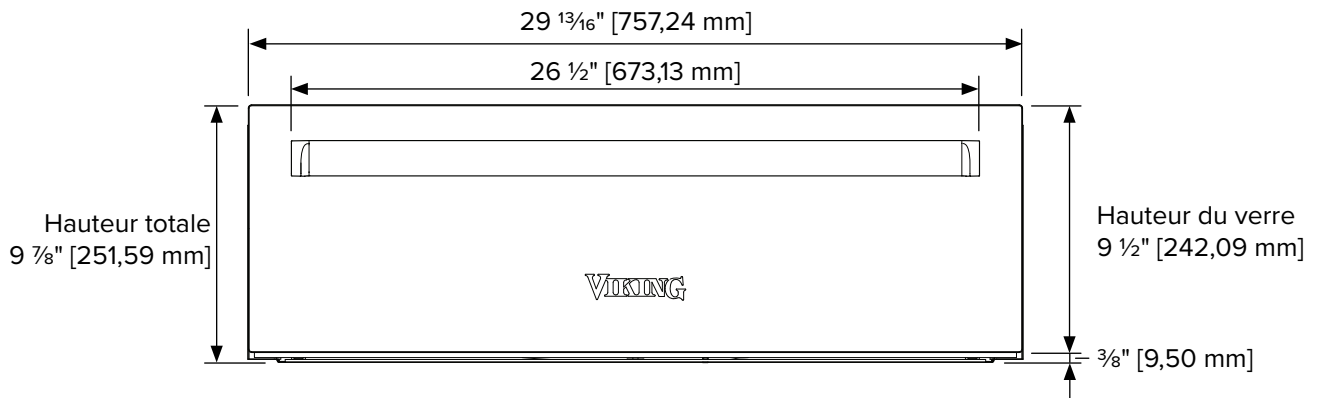
Dimensions

	Description	MVWD6301
Largueur	Global	29 13/16" [757,24 mm]
	Largueur entre les trous de montage des armoires	29 1/8" [740,00 mm]
	Largueur de la coque du tiroir chauffant	27 5/8" [706,74 mm]
Hauteur	Global	9 7/8" [251,59 mm]
	Hauteur de la vitre avant	9 1/2" [242,09 mm]
	Hauteur de la coque du tiroir chauffant	9 1/8" [231,75 mm]
Profondeur	Global	24 1/8" [612,81 mm]
	Profondeur du tiroir dans l'armoire	21 5/16" [541,45 mm]
	Avec tiroir entièrement déployé	41 1/16" [1043,16 mm]
Intérieur	Largueur intérieure	26 13/16" [681,14 mm]
	Hauteur intérieure	7 3/8" [186,97 mm]
	Profondeur intérieure	16 1/8" [410,15 mm]
	Poids d'expédition approximatif	75 lb [34,02 kg]

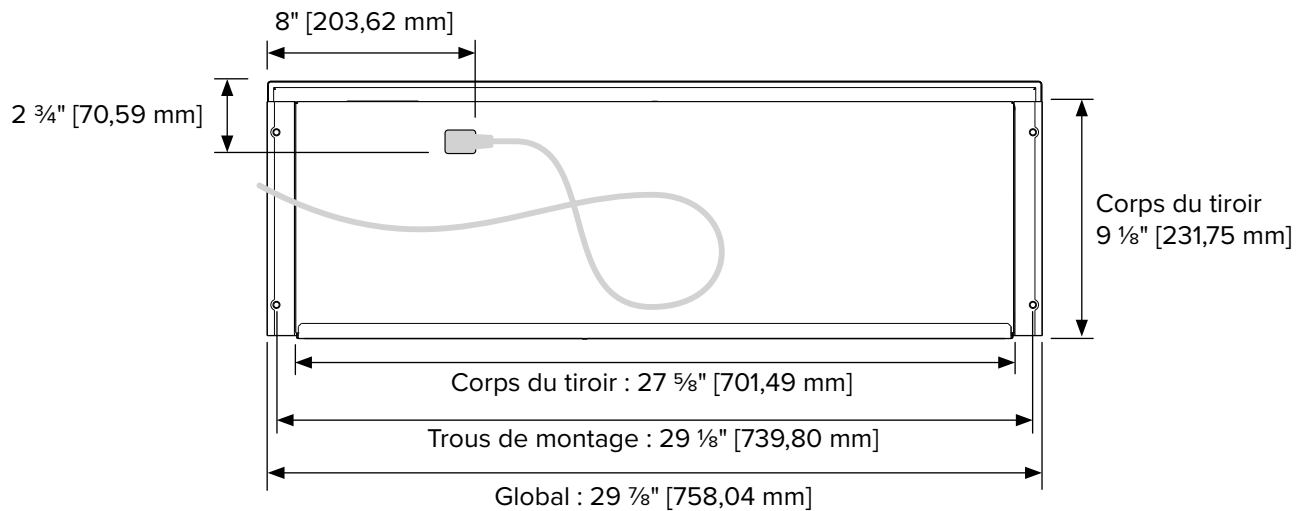
Dimensions



Côté



Avant

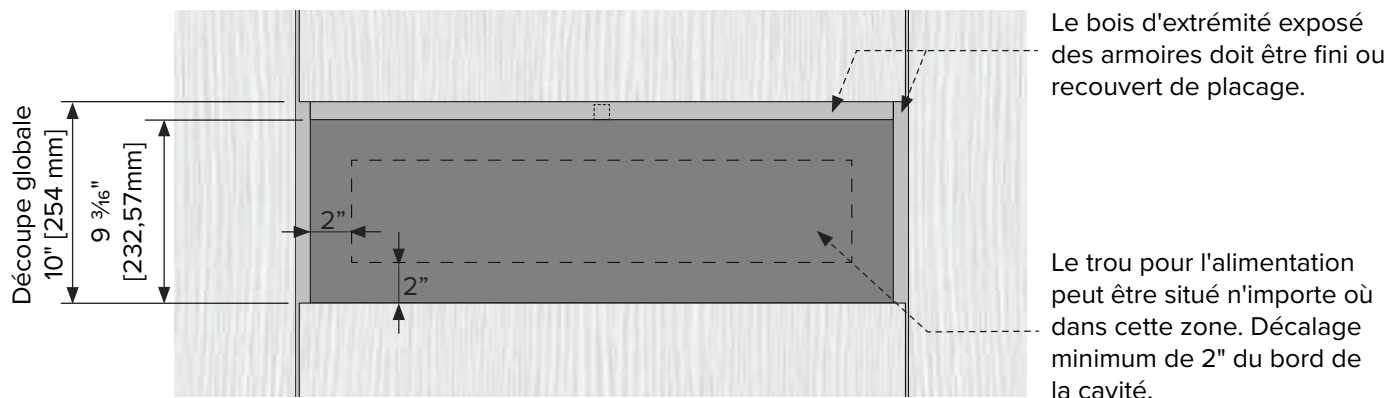


**Arrière
(Emplacement d'alimentation)**

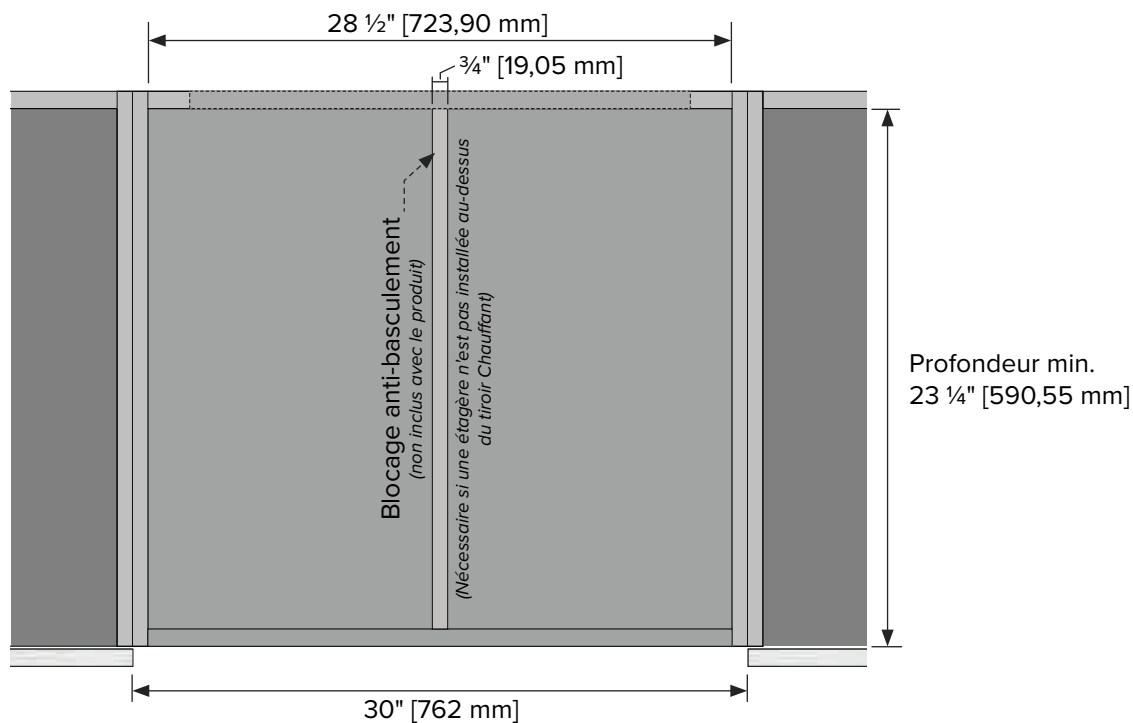
FR-9

Spécifications des armoires - Autonome

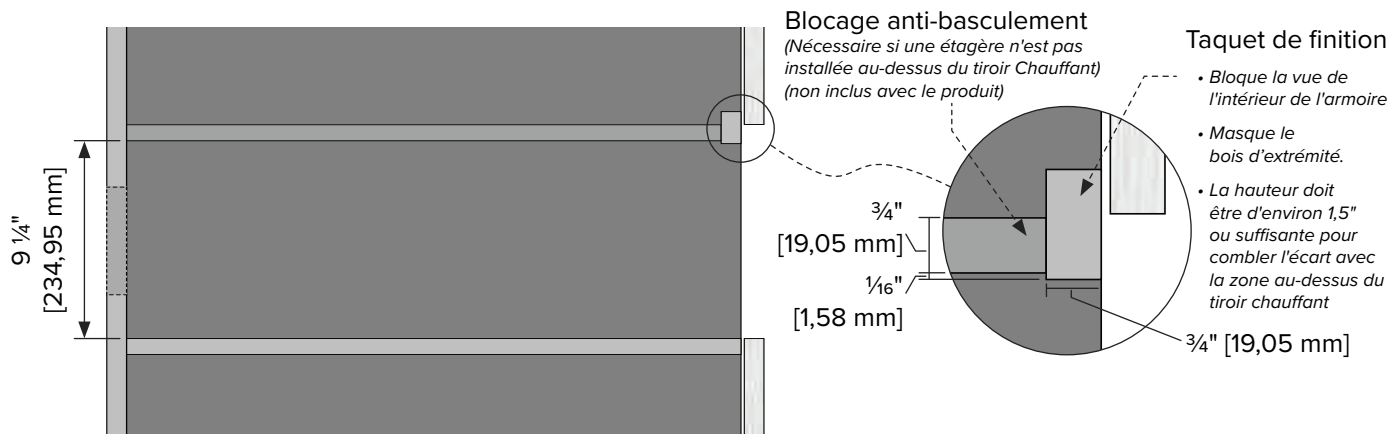
Dimensions de l'armoire - Découpe de l'armoire sans produit



Avant

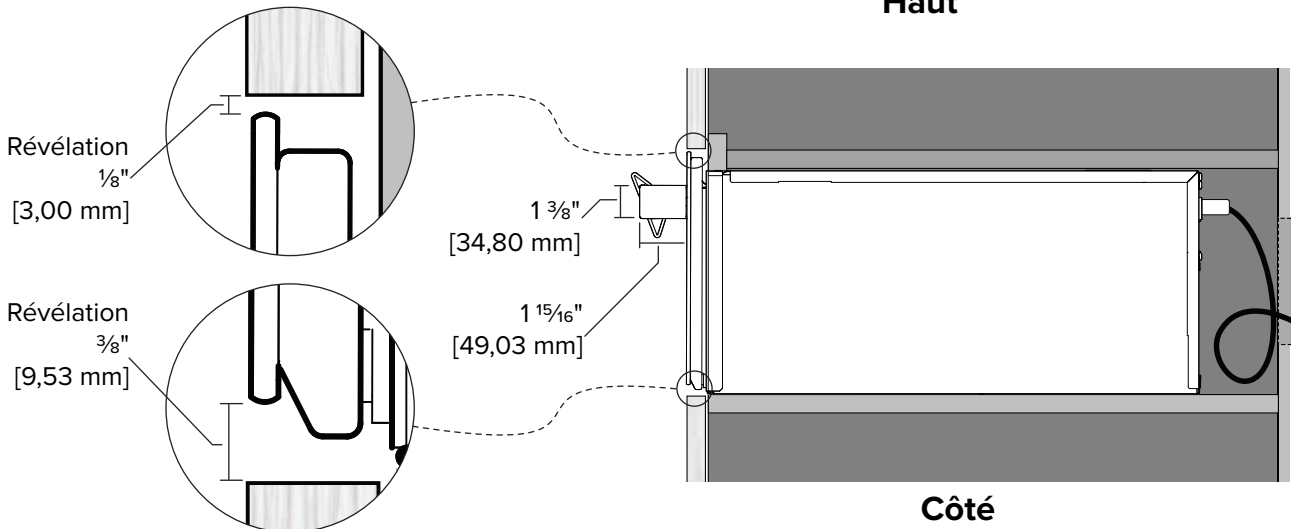
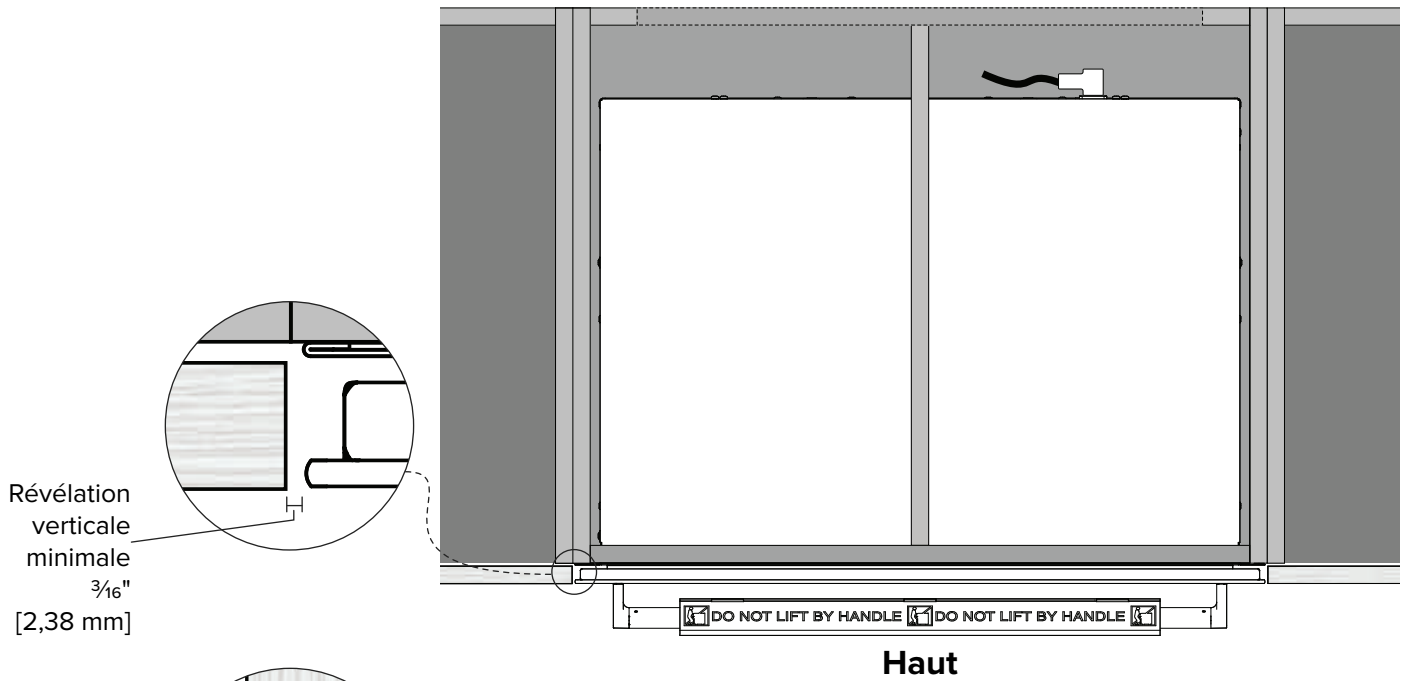
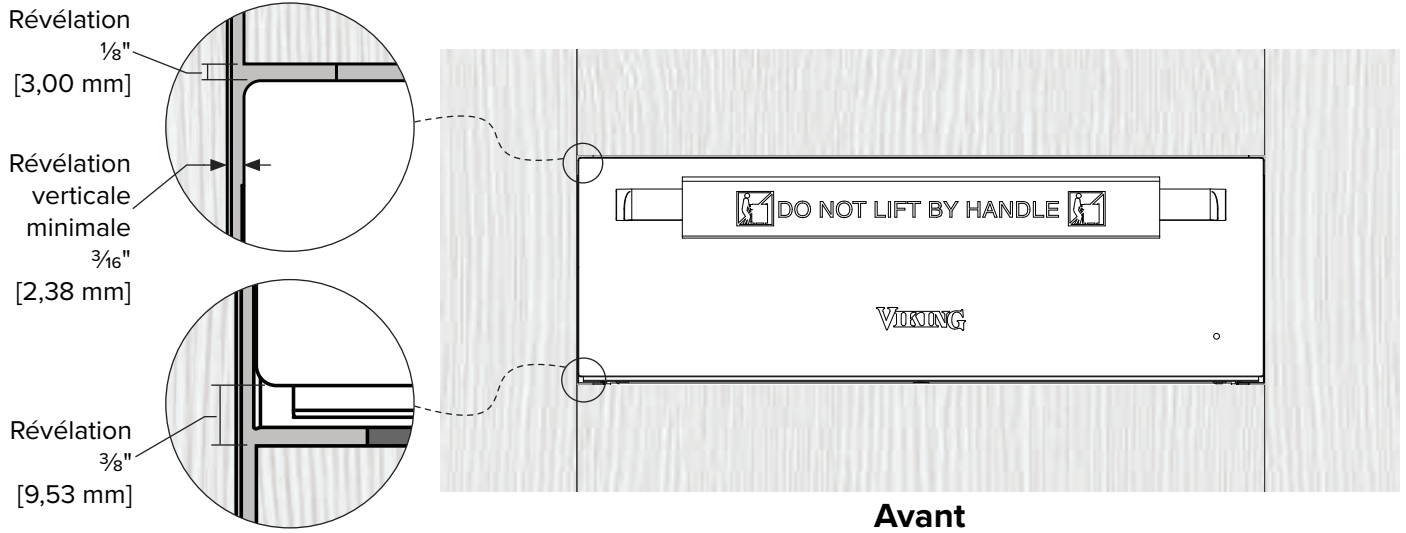


Haut

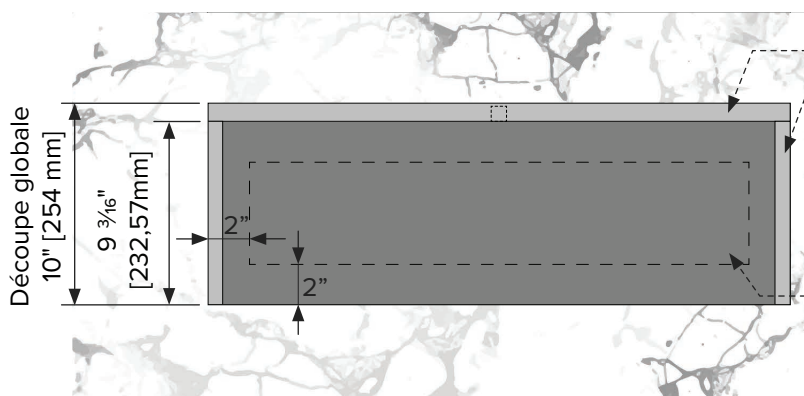


Côté

Dimensions d'installation du produit - Découpe d'armoire avec révélation de produit



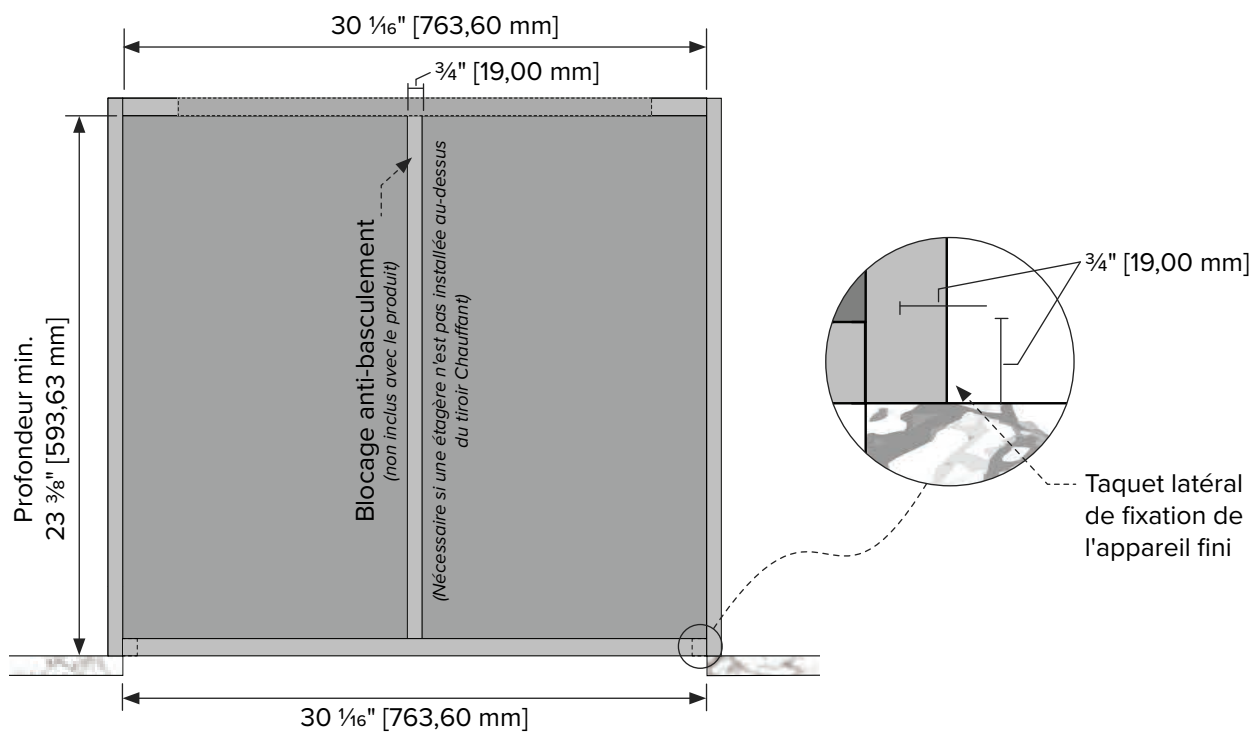
Dimensions des armoires encastrées - Découpe d'armoire sans produit



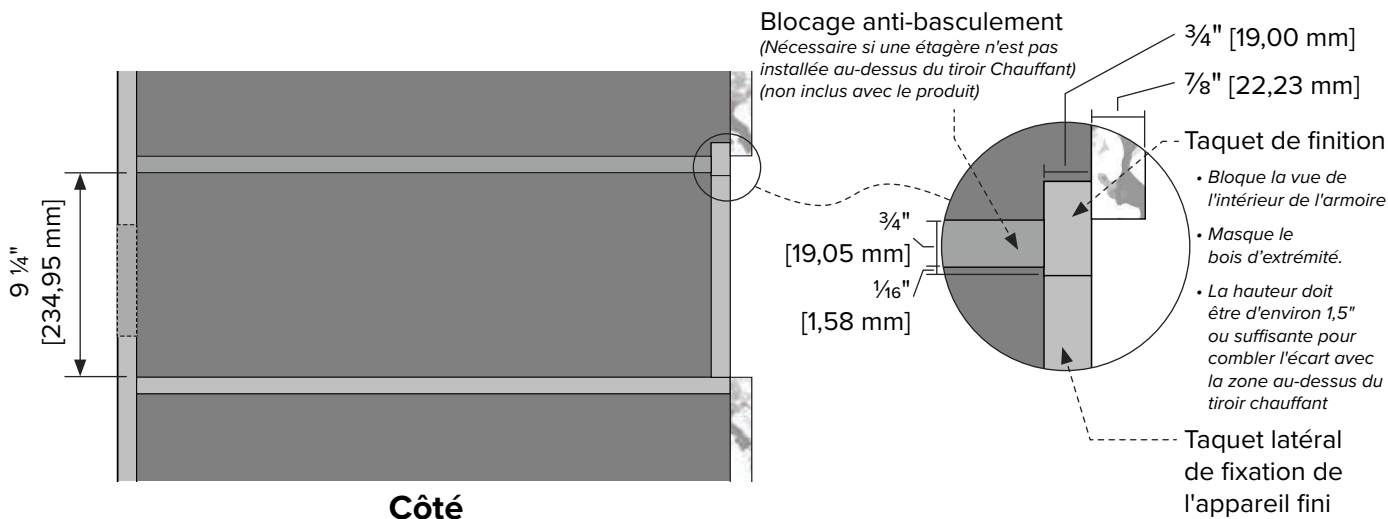
Le bois d'extrémité exposé des armoires et les tasseaux latéraux de fixation des appareils doivent être finis ou recouverts de placage.

Le trou pour l'alimentation peut être situé n'importe où dans cette zone. Décalage minimum de 2" du bord de la cavité.

Avant

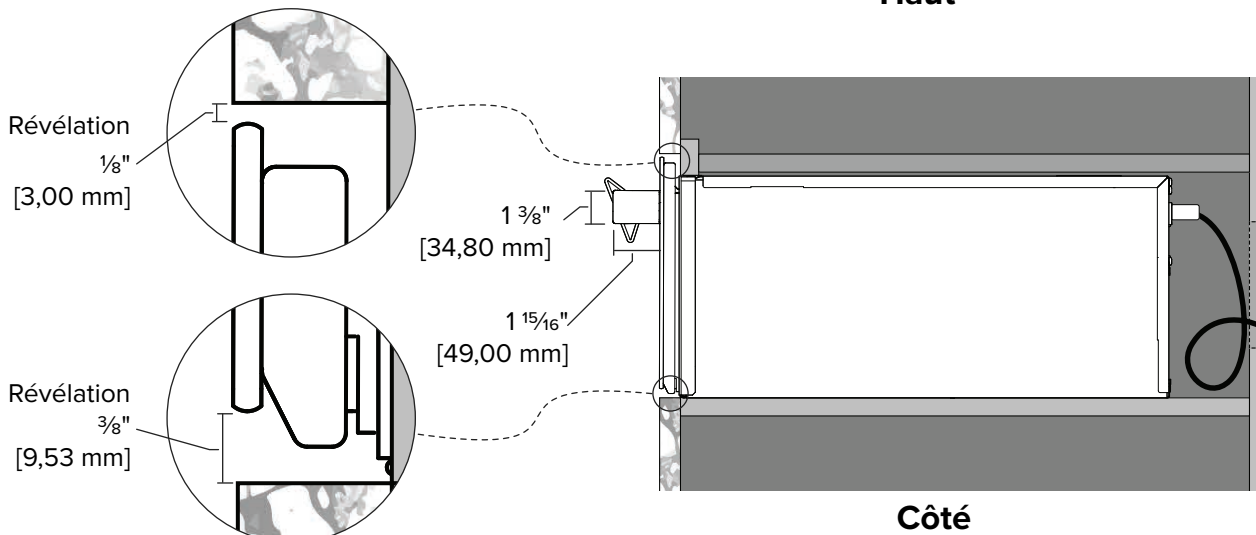
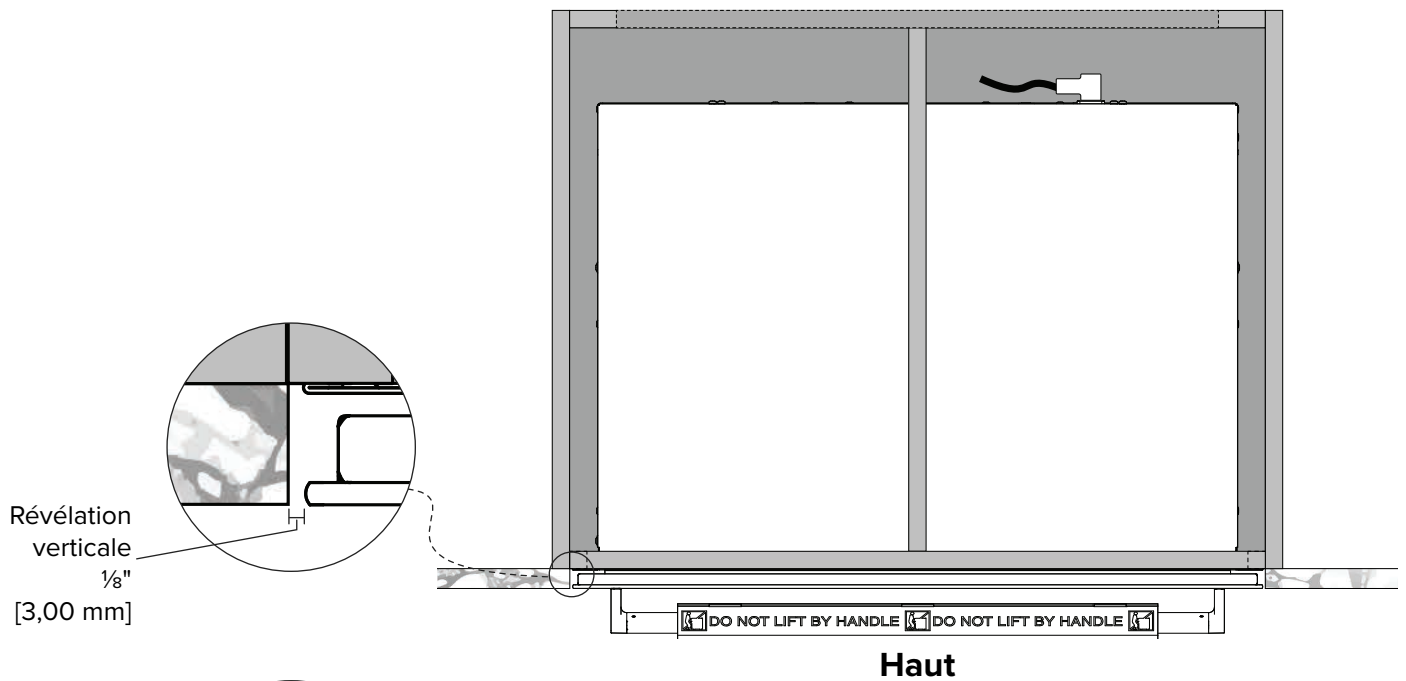
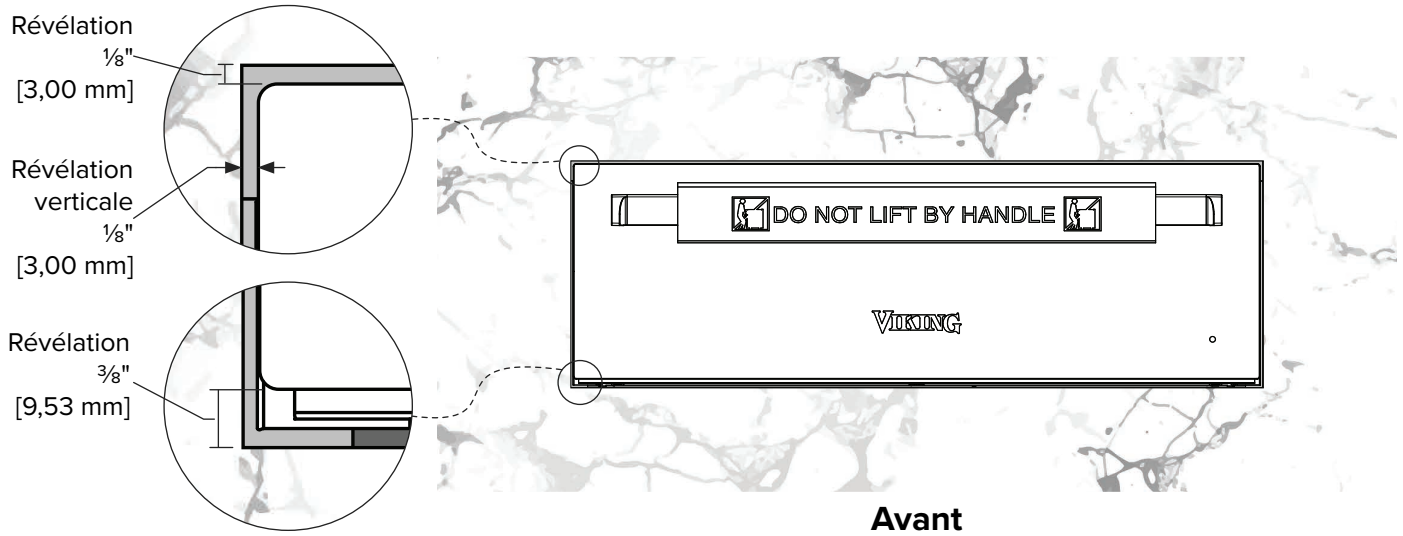


Haut



Côté

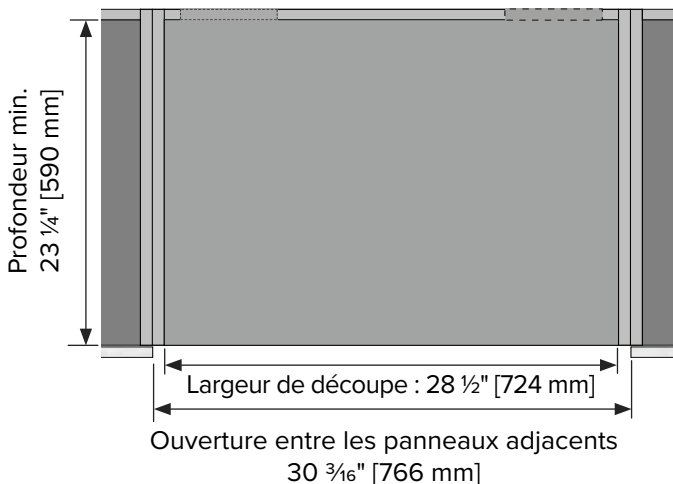
Dimensions d'installation du produit encastré - Découpe d'armoire avec produit



Spécifications des armoires à 3 piles - Four mural simple, four à vapeur et tiroir chauffant

(MVSOE3601, MVSOC6301 et MVWDE6301)

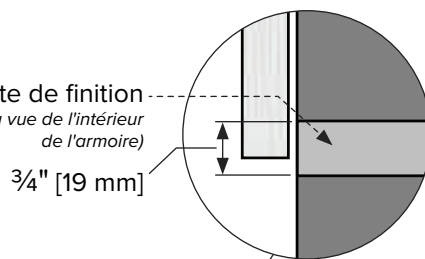
Dimensions de l'armoire d'installation standard



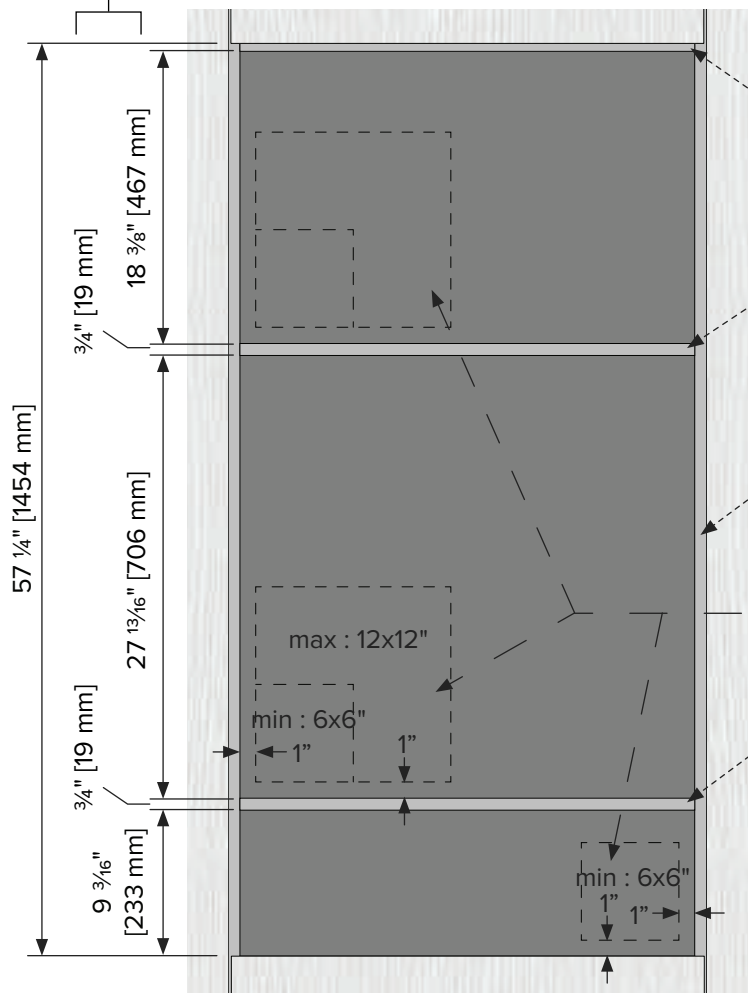
Haut

Tablette de finition
(Bloque la vue de l'intérieur
de l'armoire)

3/4" [19 mm]



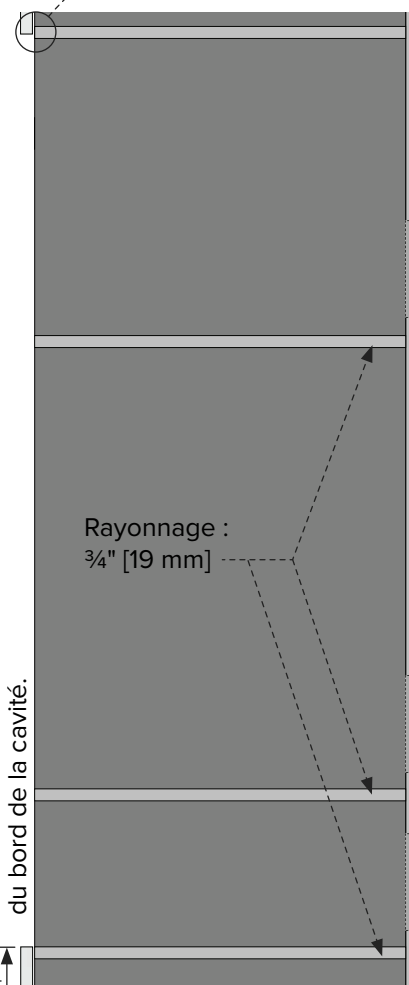
Hauteurs de découpe



Avant

Le bois d'extrémité exposé des armoires doit être fini ou fini avec du placage.

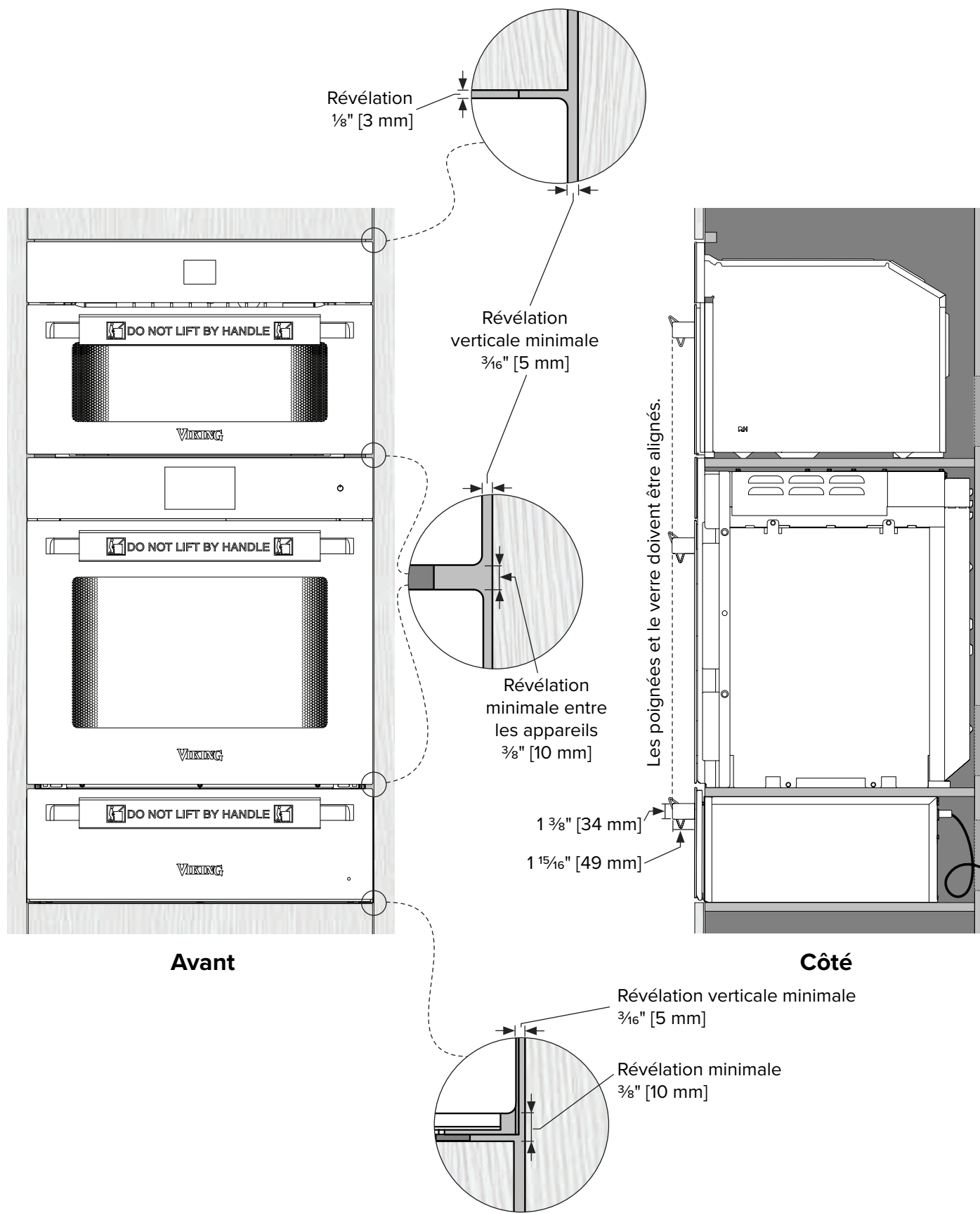
Emplacement du trou pour le conduit d'alimentation. Le trou pour le conduit doit être d'au moins 6x6", mais pas plus de 12x12". Décalage d'environ 1" du bord de la cavité.



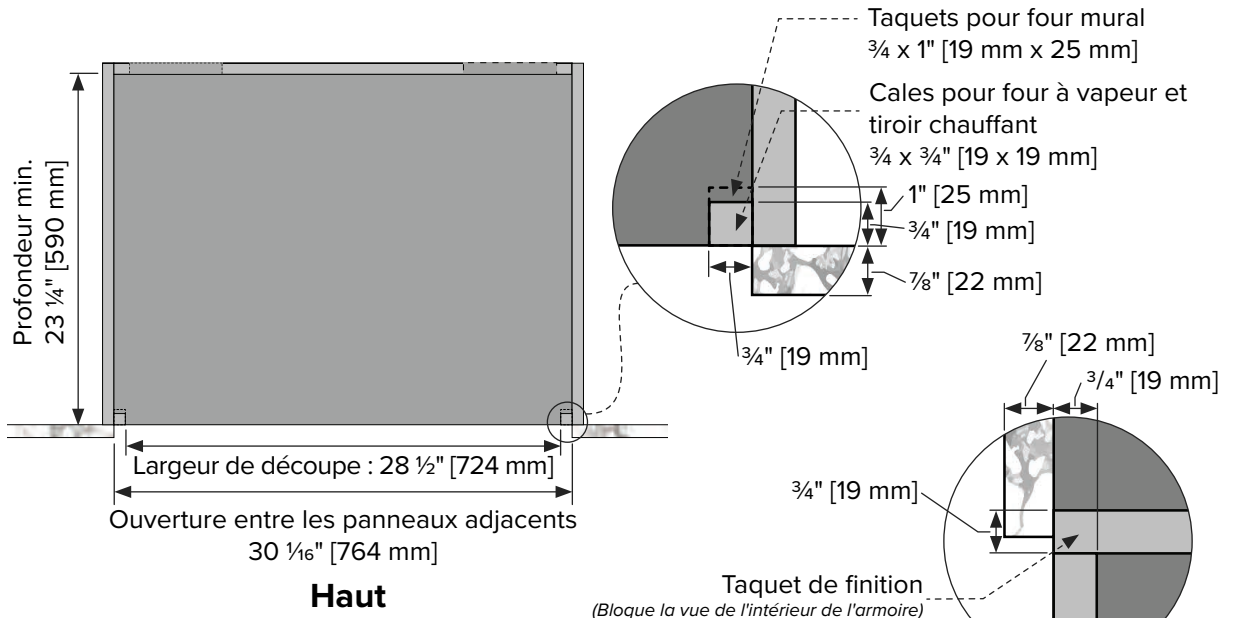
Minimum
4 3/4" [121 mm]
Plancher

Côté

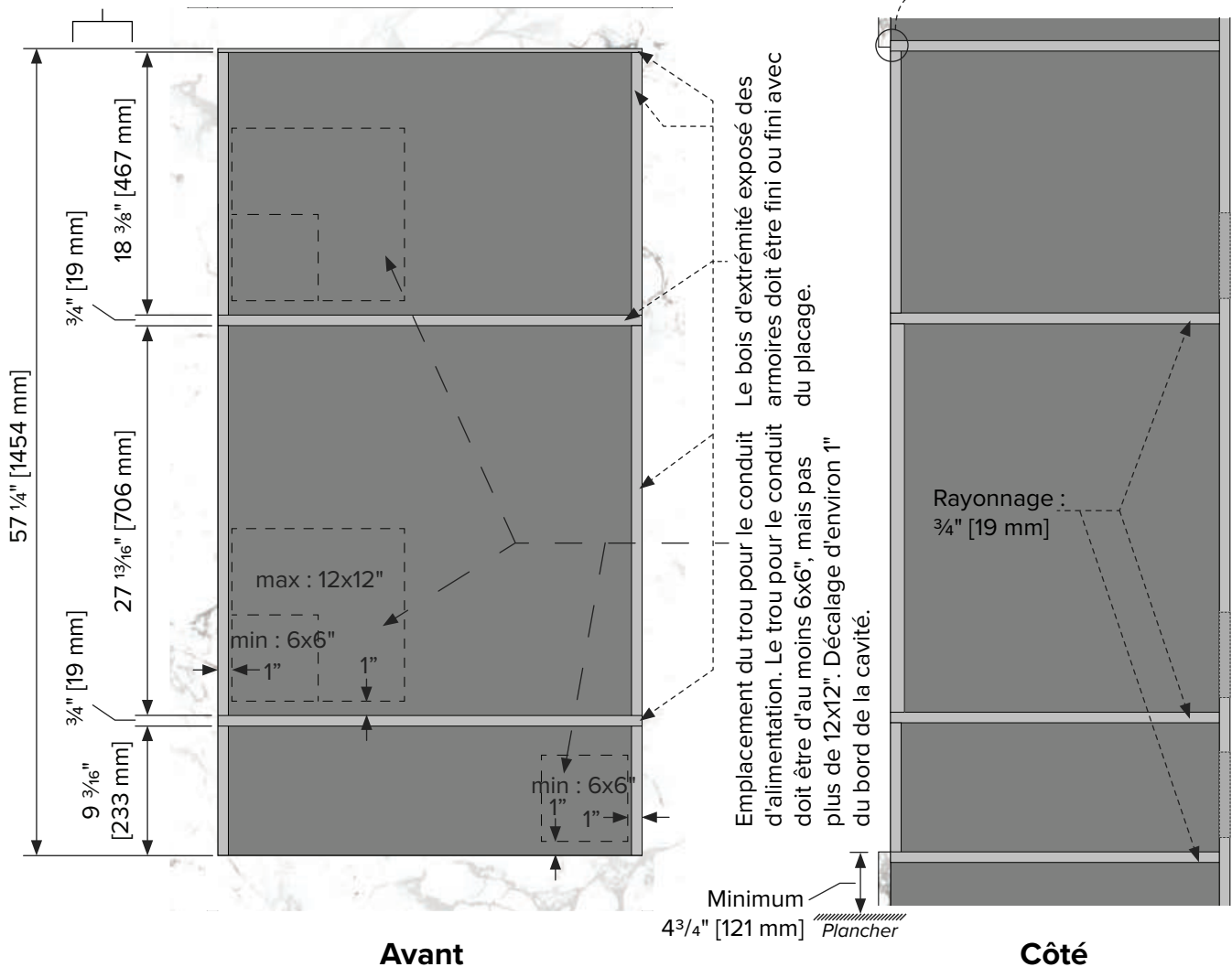
Révélation sur les produits d'installation standard



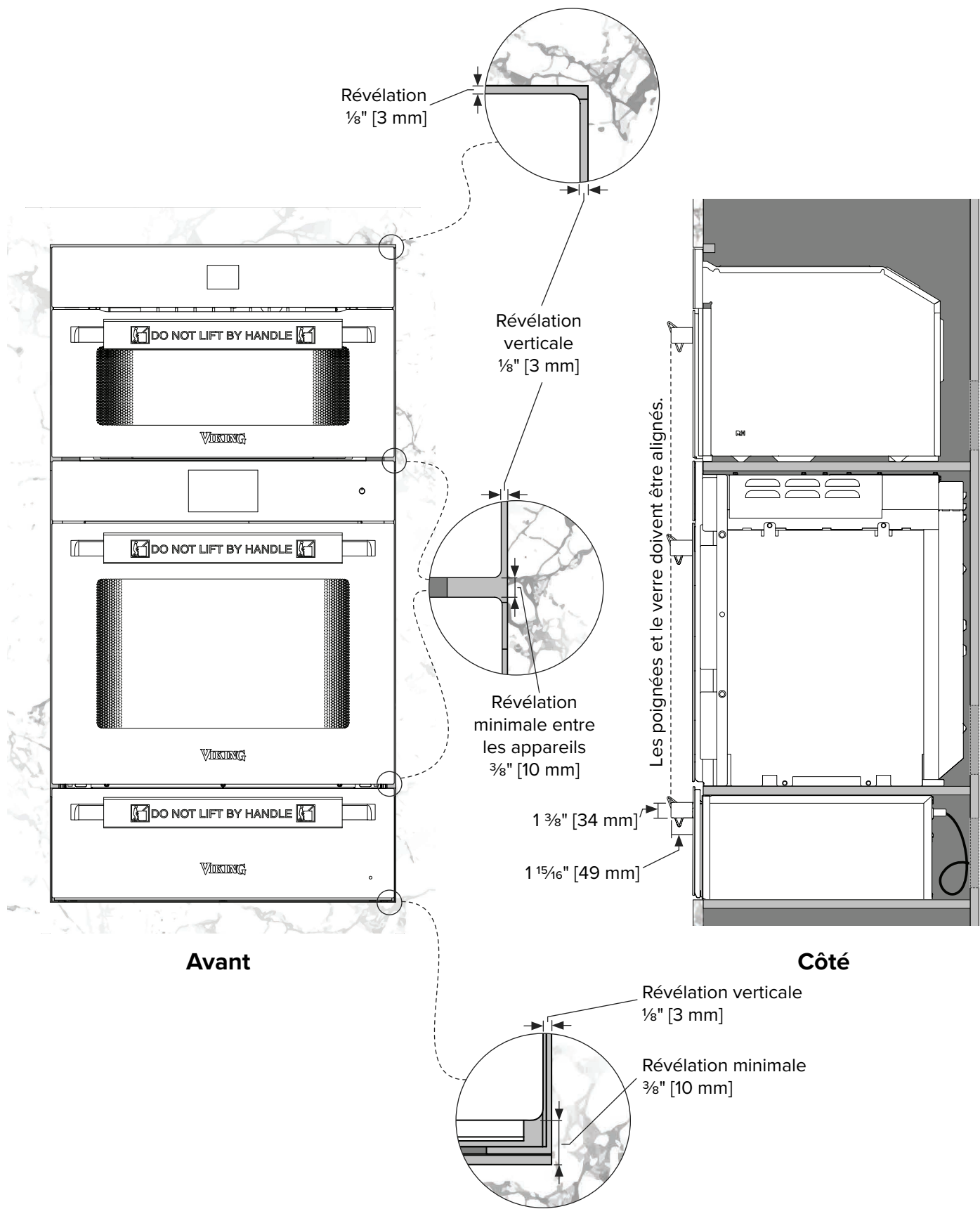
Dimensions des armoires encastrées



Hauteurs de découpe



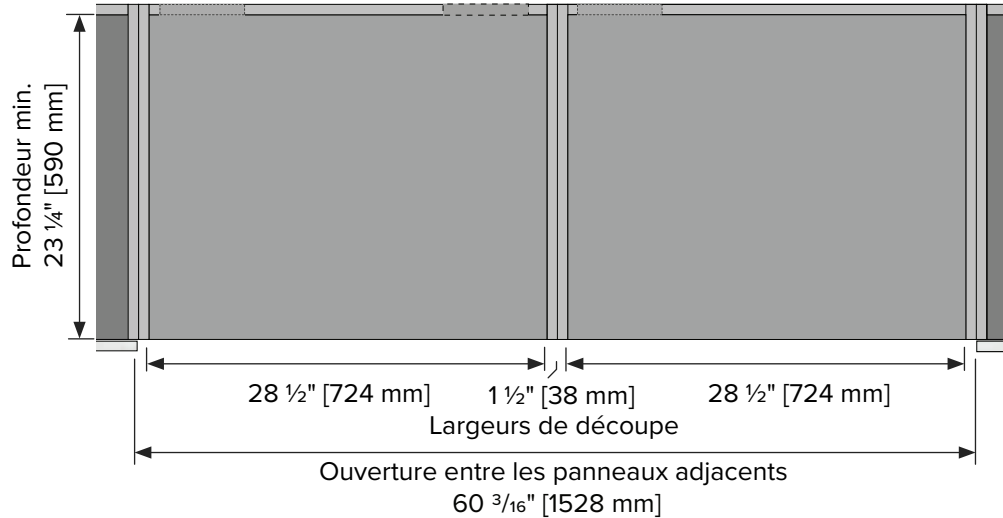
Installation encastrée Révélations sur les produits



Spécifications des armoires côte à côte - Four mural simple, four à vapeur et tiroir chauffant

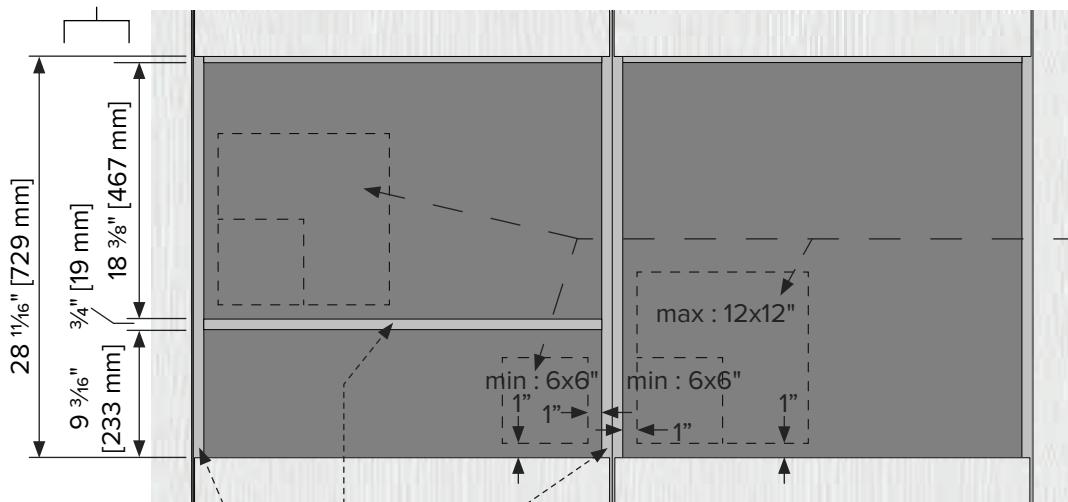
(MVSOE3601, MVSOC6301 et MVWDE6301)

Dimensions de l'armoire d'installation standard



Haut

Hauteurs de découpe



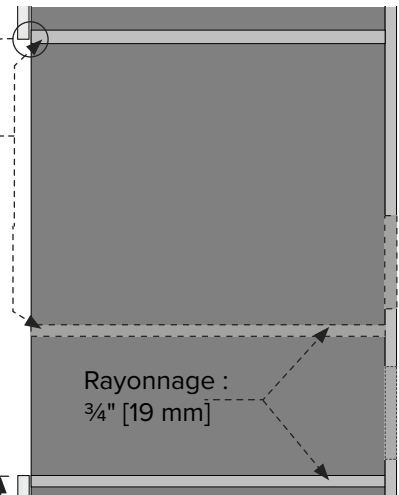
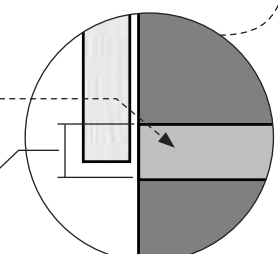
Emplacement du trou pour le conduit d'alimentation. Le trou pour le conduit doit être d'au moins 6x6", mais pas plus de 12x12". Décalage d'environ 1" du bord de la cavité.

Avant

Le bois d'extrémité exposé des armoires doit être fini ou fini avec du placage.

Tablette de finition
(Bloque la vue de l'intérieur de l'armoire)

3/4" [19 mm]

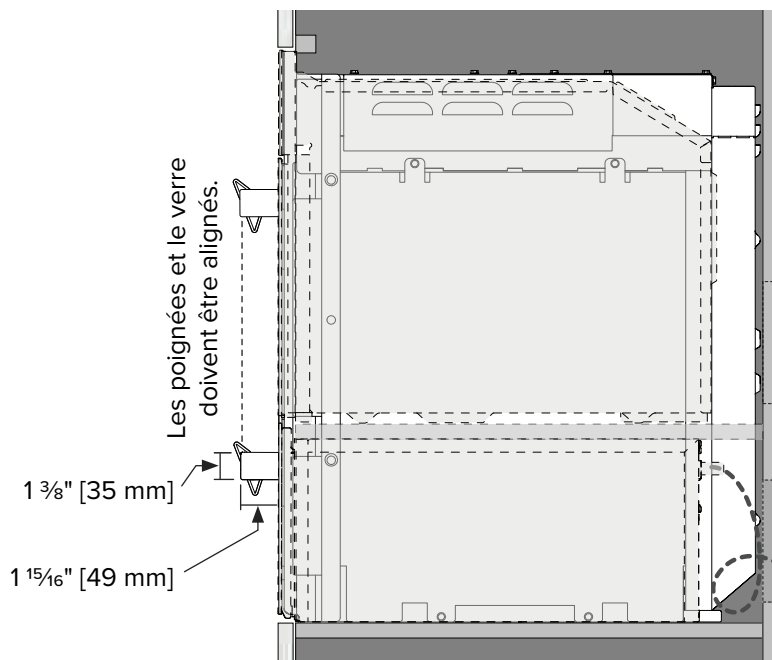
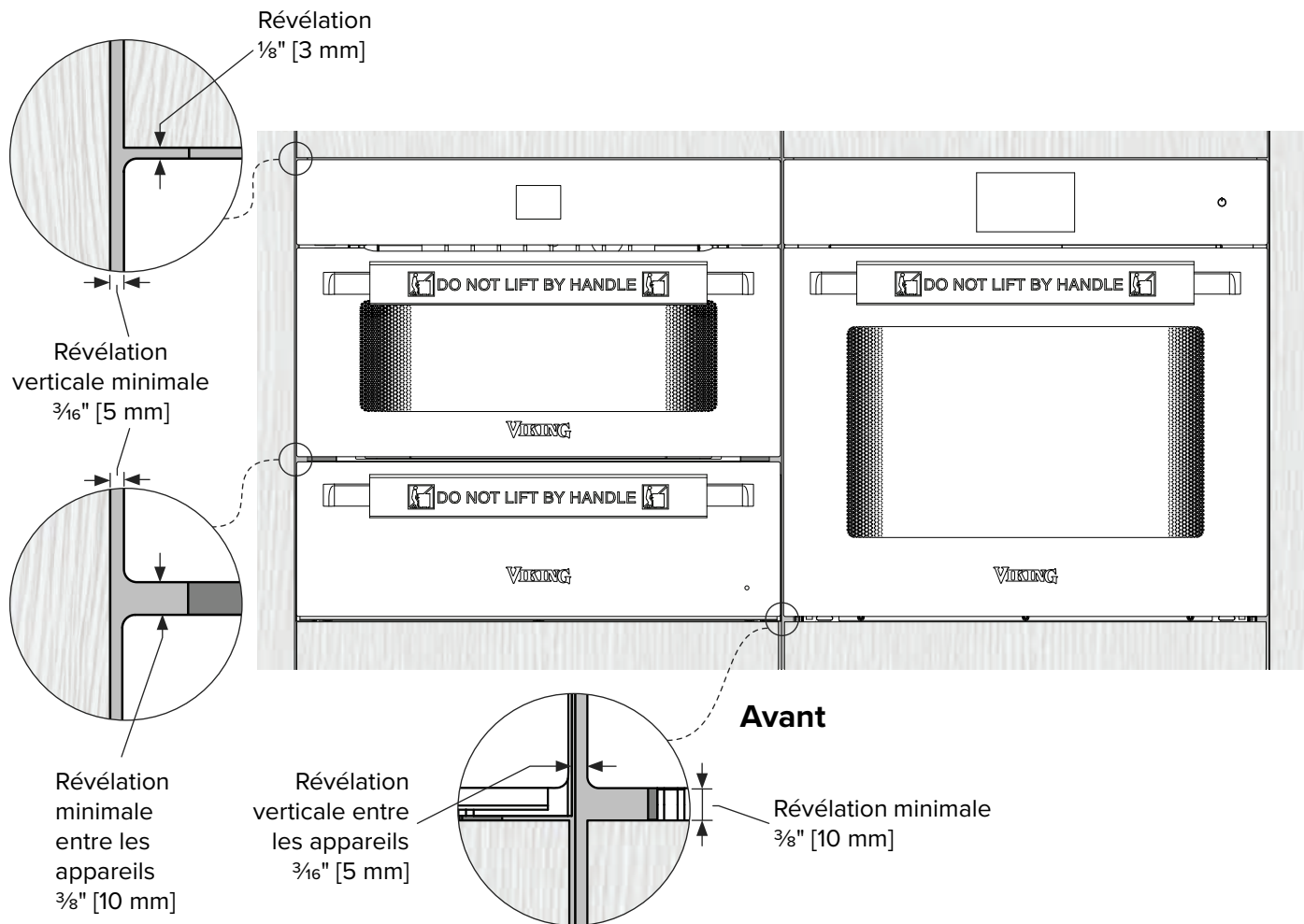


Côté

Minimum
4 3/4" [121 mm] Plancher

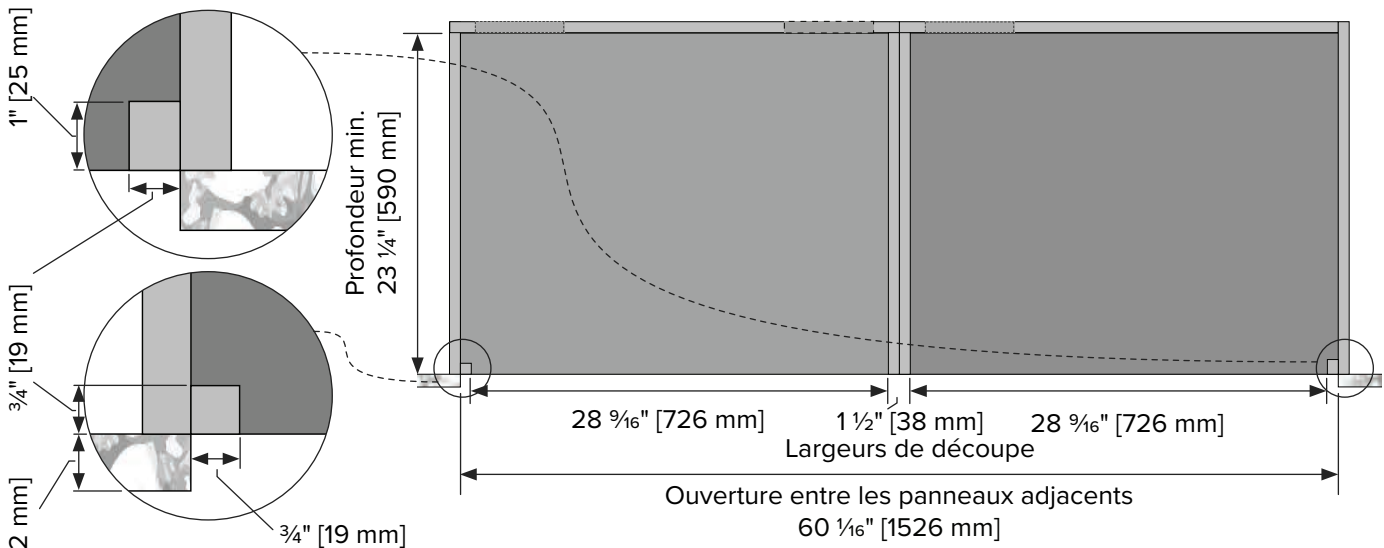
FR-1

Révélation sur les produits d'installation standard



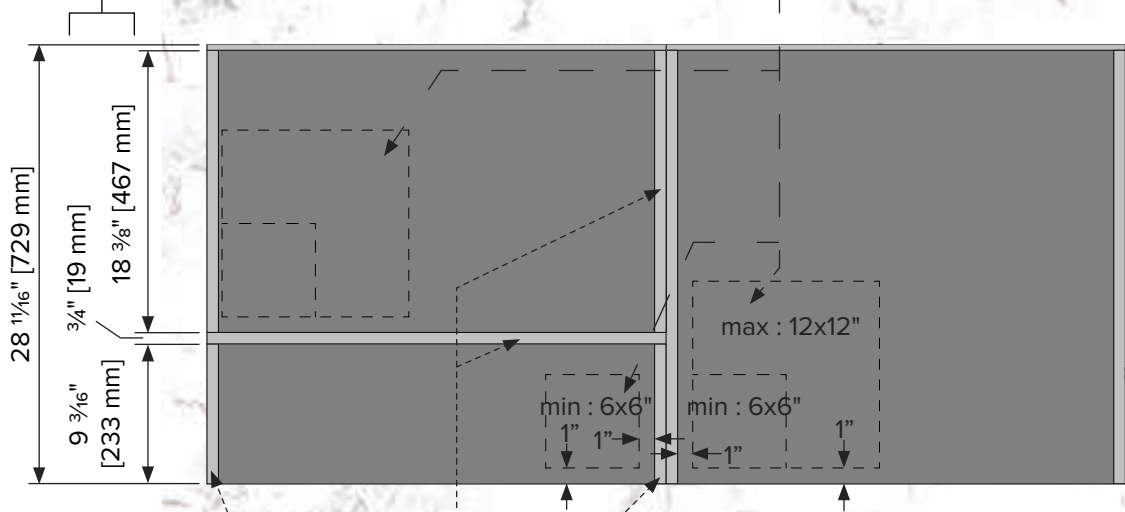
Côté

Dimensions des armoires encastrées



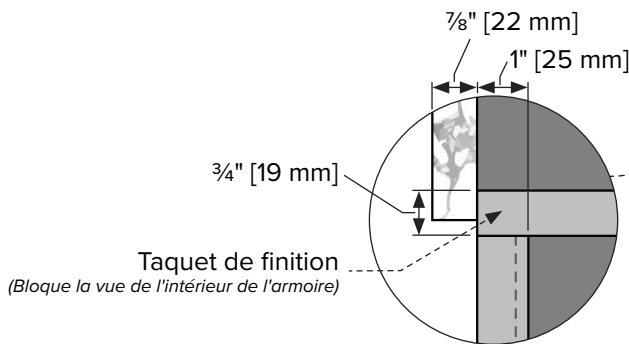
Haut

Emplacement du trou pour le conduit d'alimentation. Le trou pour le conduit doit être d'au moins 6x6", mais pas plus de 12x12". Décalage d'environ 1" du bord de la cavité.

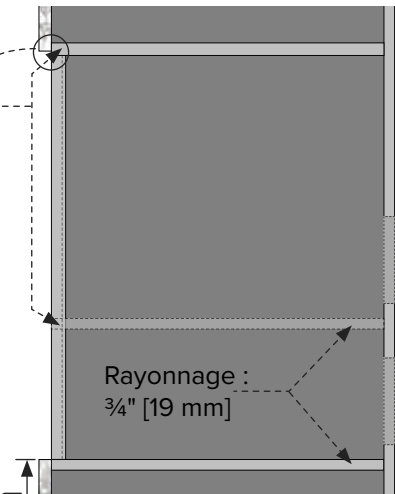


Avant

Le bois d'extrémité exposé des armoires doit être fini ou fini avec du placage.

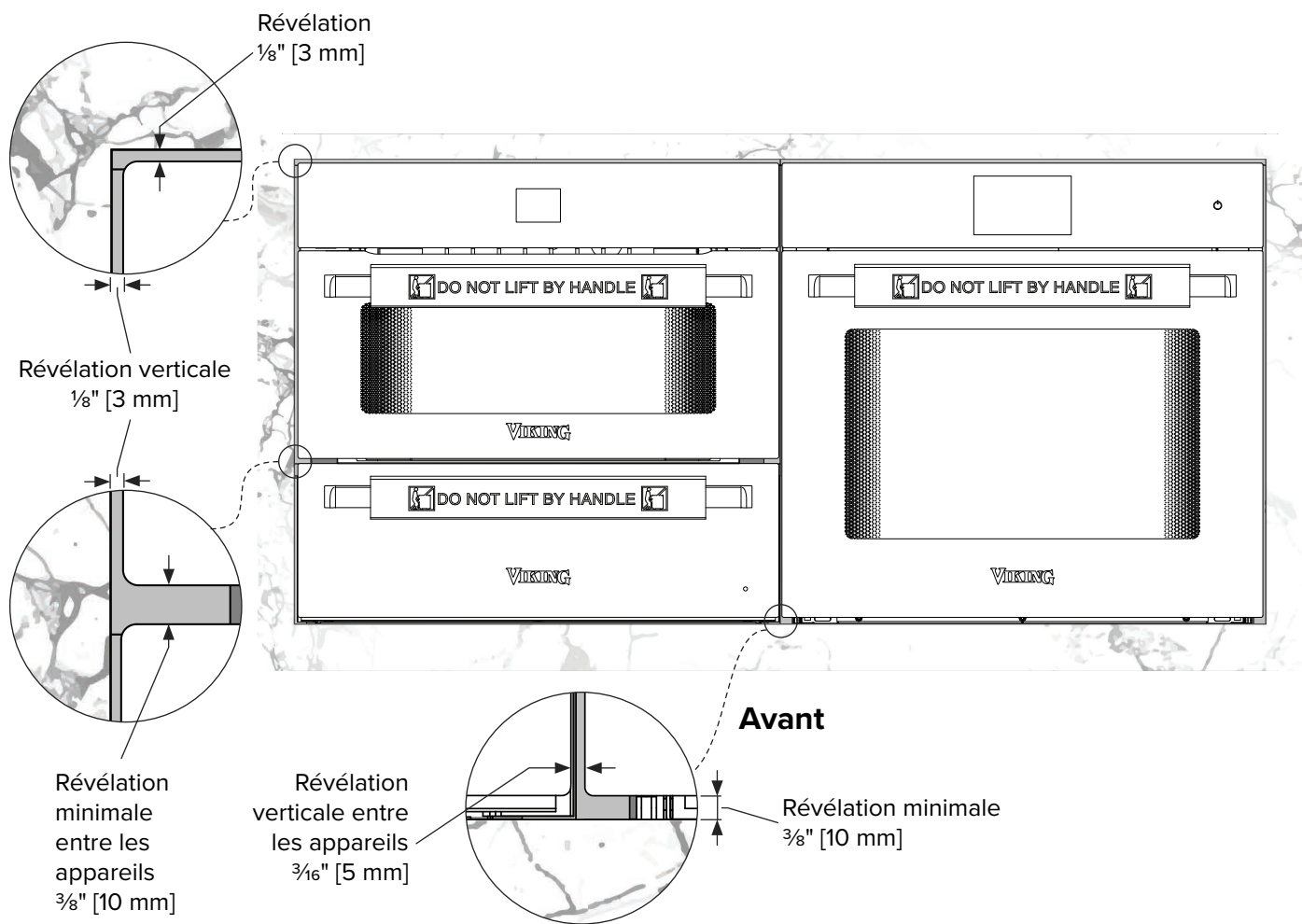


Minimum 4 3/4" [121 mm] Plancher

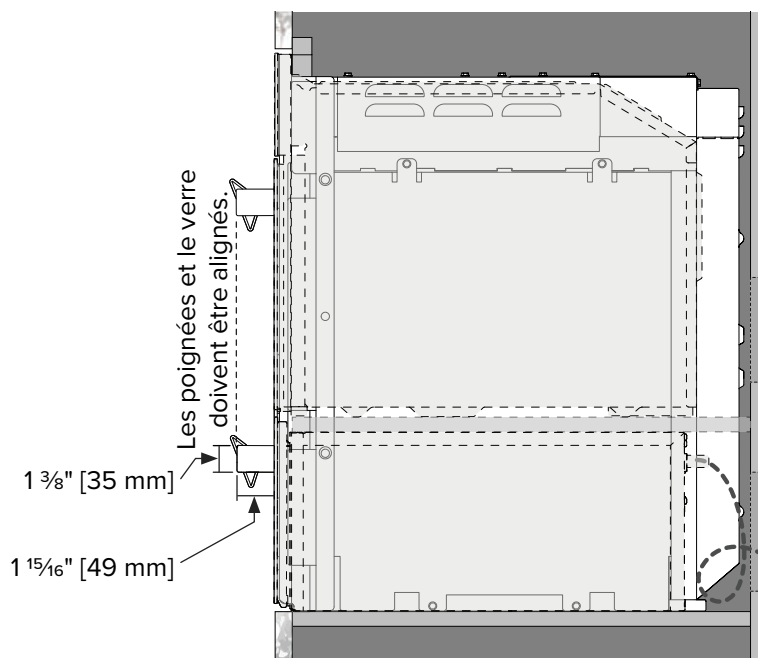


Côté

Installation encastrée Révélation sur les produits



Avant

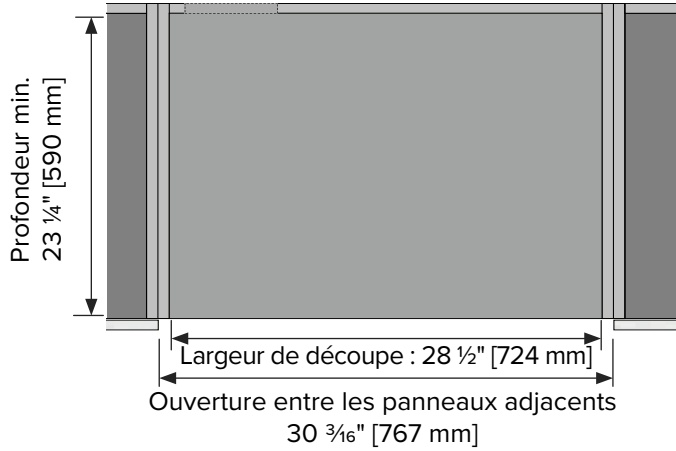


Côté
FR-4

Spécifications des armoires à tiroirs chauffants - Four mural double avec un tiroir chauffant

(MVDOE6301 et MVWDE6301)

Dimensions de l'armoire d'installation standard

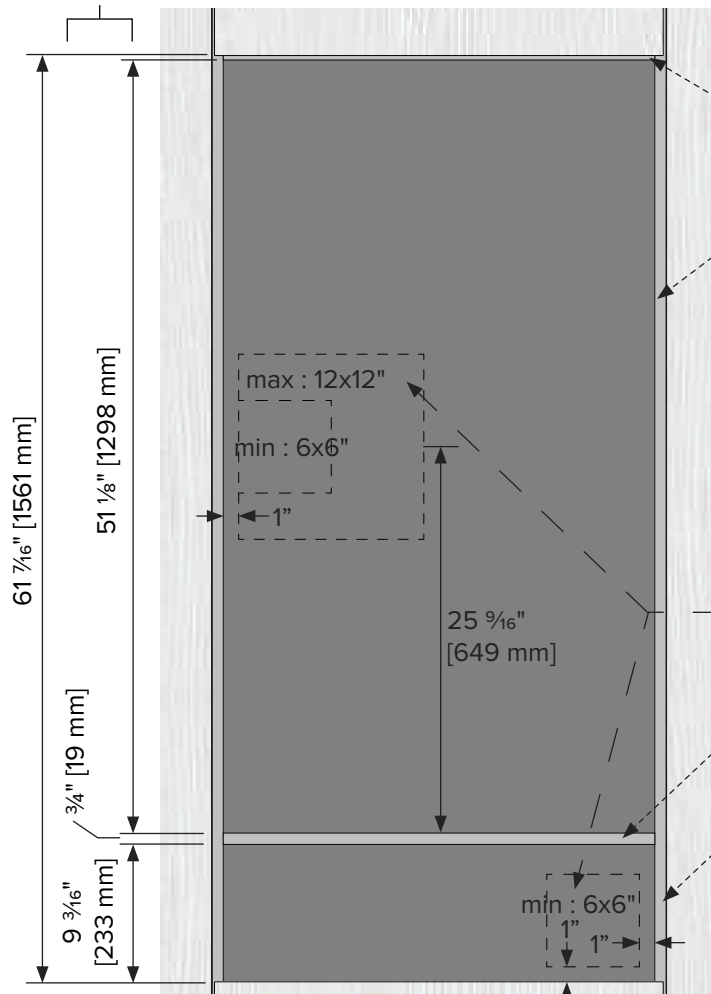


Tablette de finition
(Bloque la vue de
l'intérieur de l'armoire)

3/4" [19 mm]

Haut

Hauteurs de découpe



Le bois d'extrémité exposé des
armoires doit être fini ou fini avec
du placage.

Emplacement du trou pour le conduit
d'alimentation. Le trou pour le conduit
doit être d'au moins 6x6", mais pas
plus de 12x12". Décalage d'environ 1"
du bord de la cavité.

Rayonnage :
3/4" [19 mm]

Avant

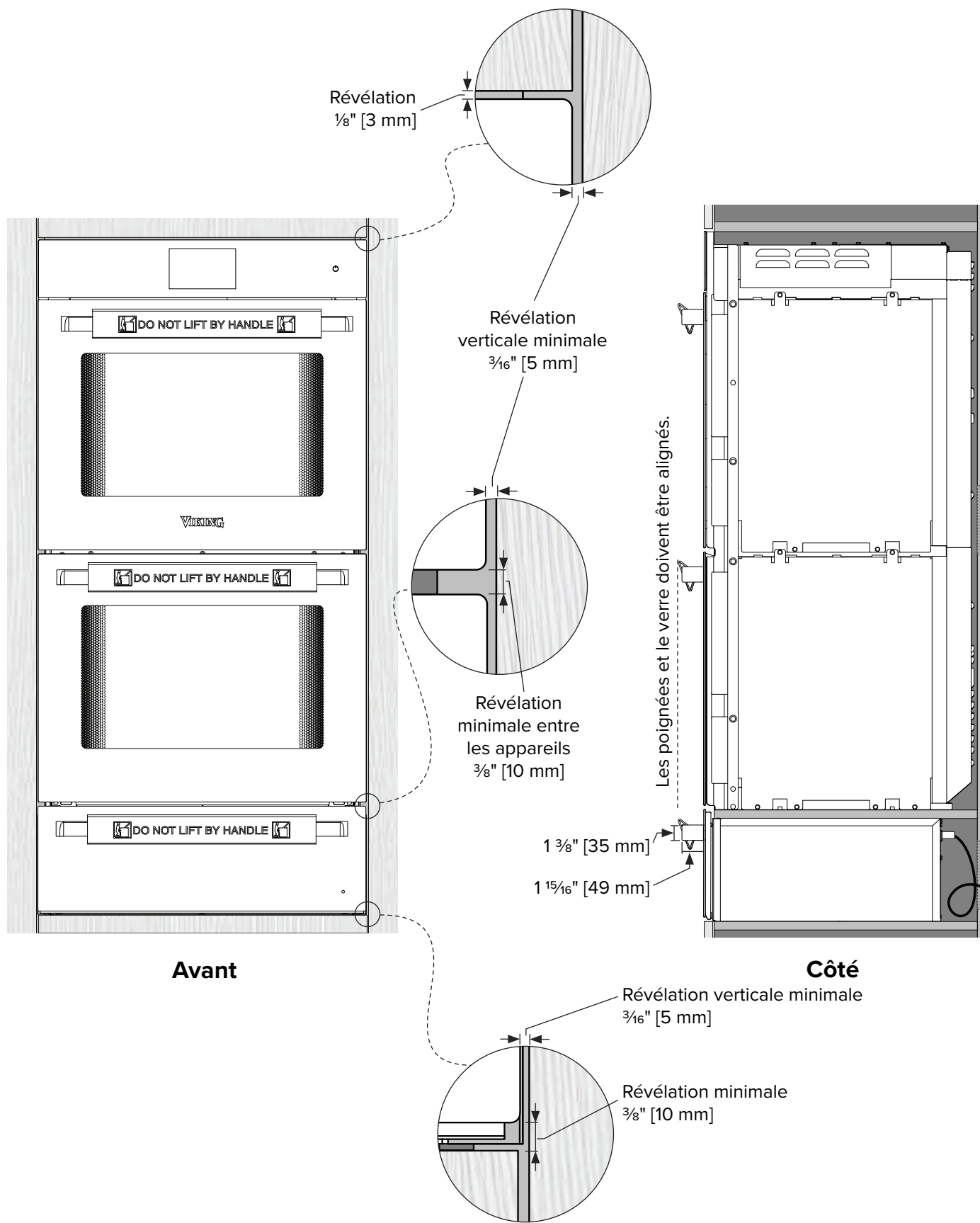
Exigences
de sécurité
Minimum

8 1/16" [205 mm]

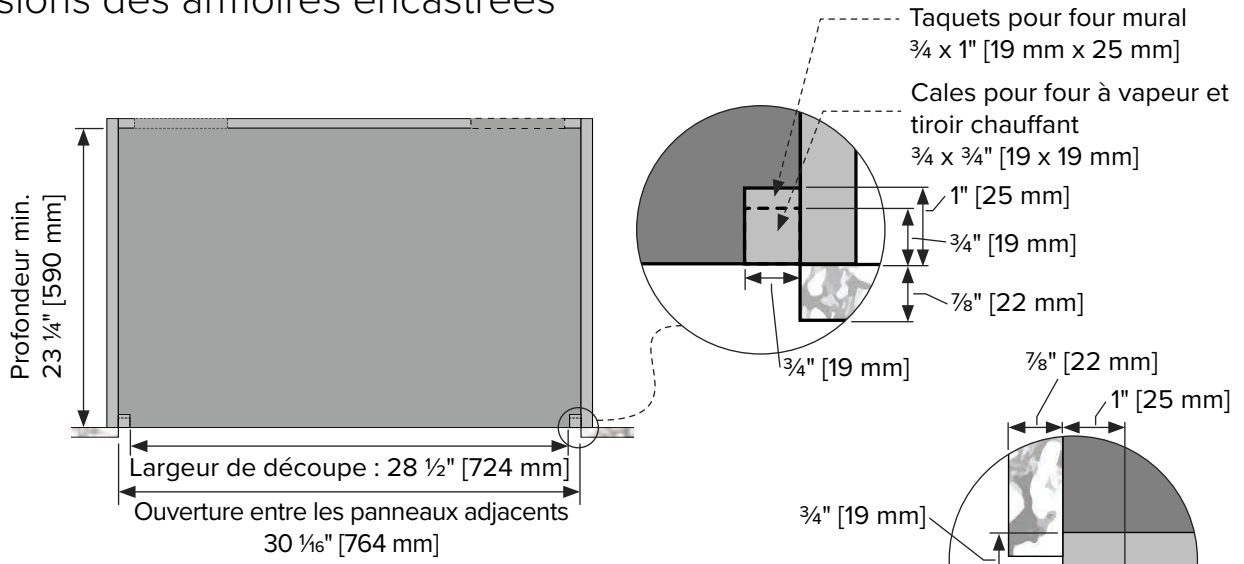
Plancher

Côté

Révélation sur les produits d'installation standard



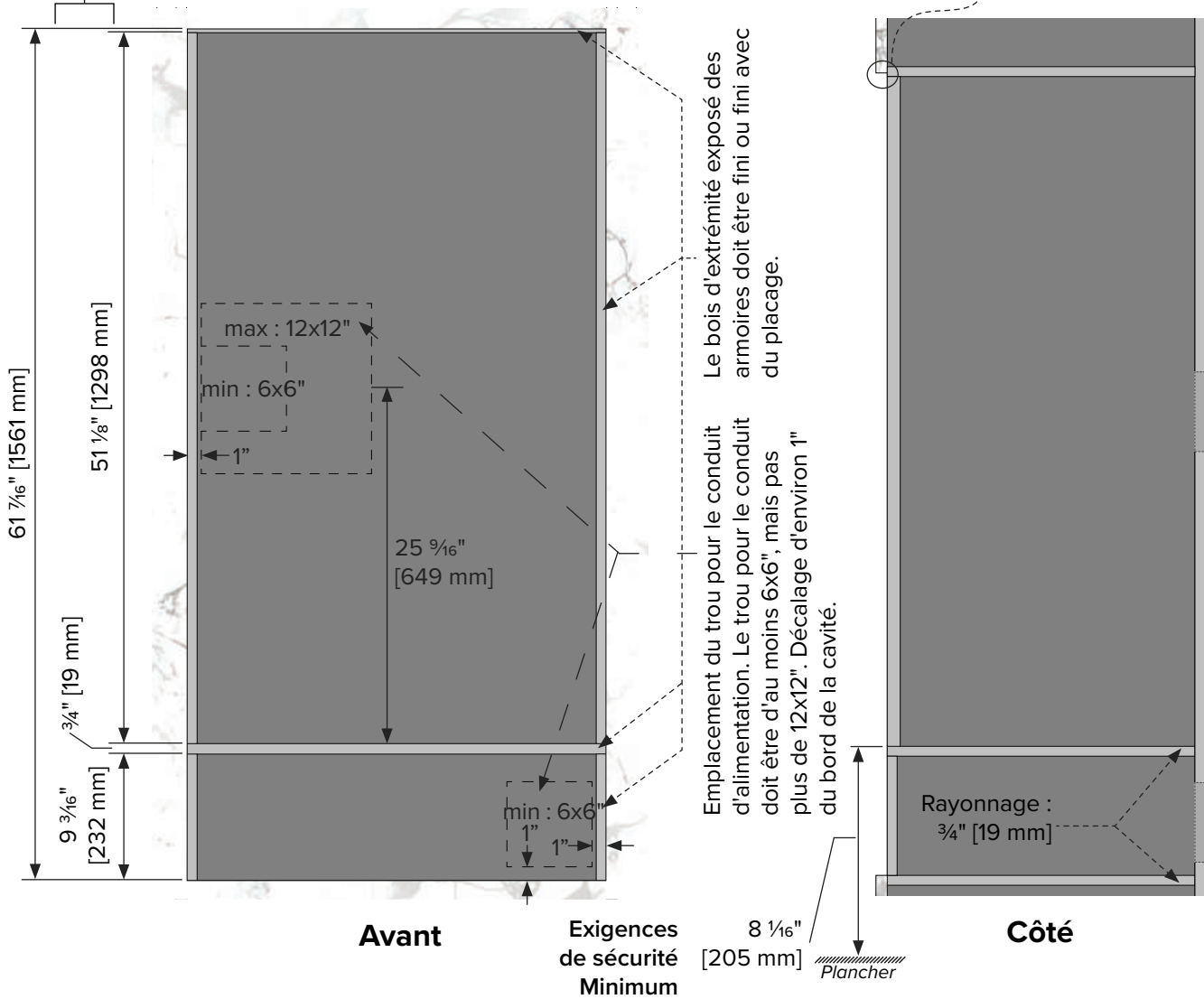
Dimensions des armoires encastrées



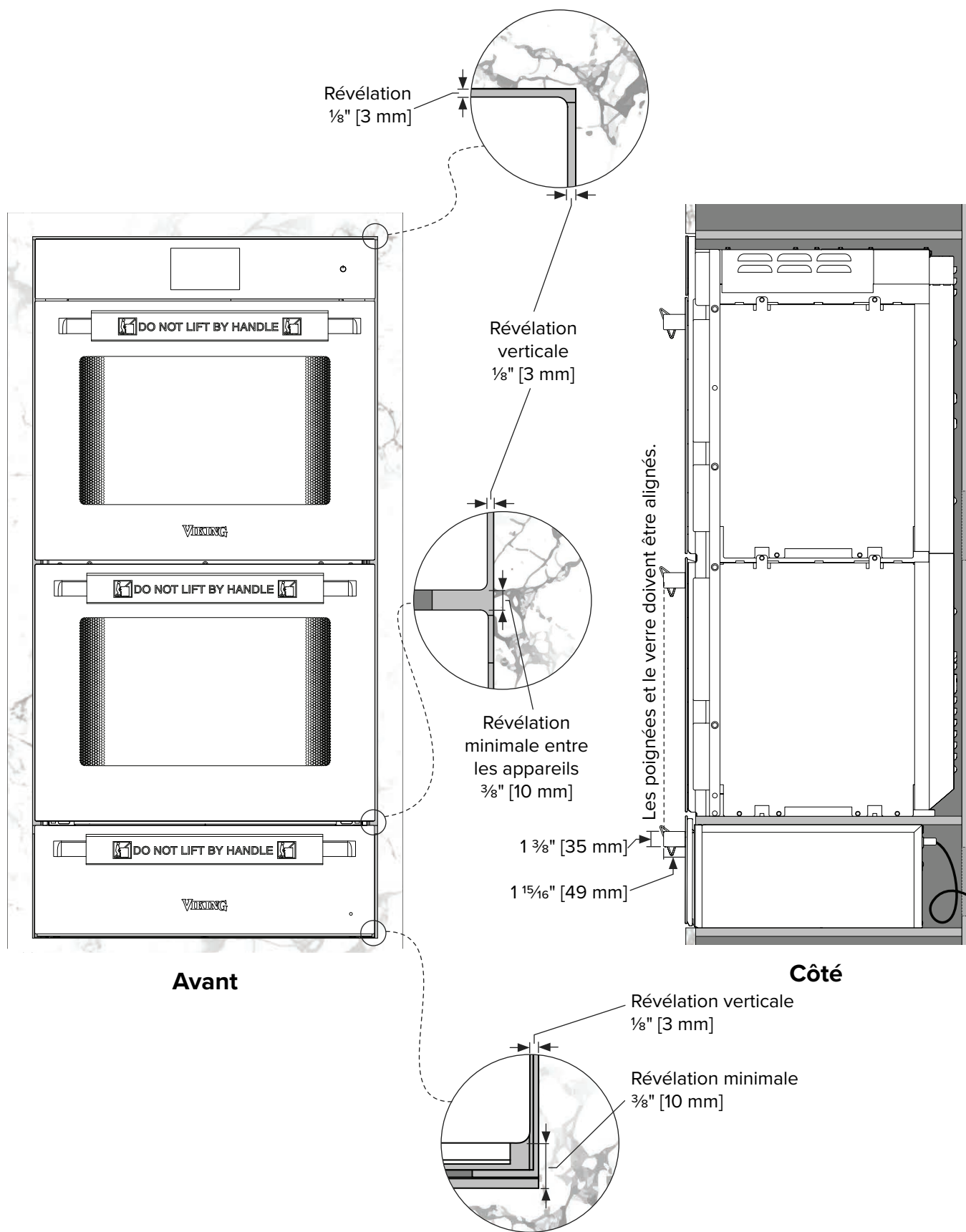
Haut

Tablette de finition
(Bloque la vue de l'intérieur de l'armoire)

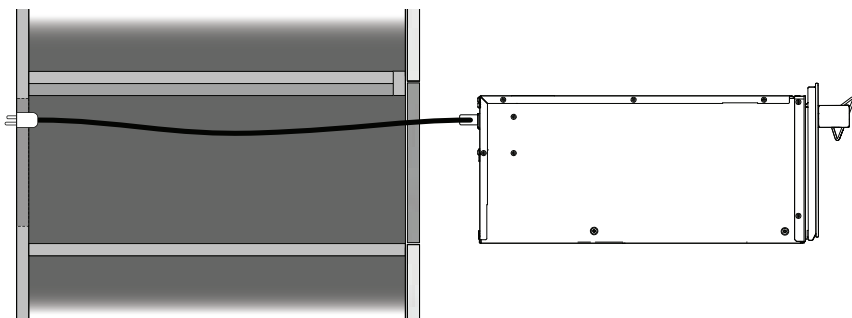
Hauteurs de découpe



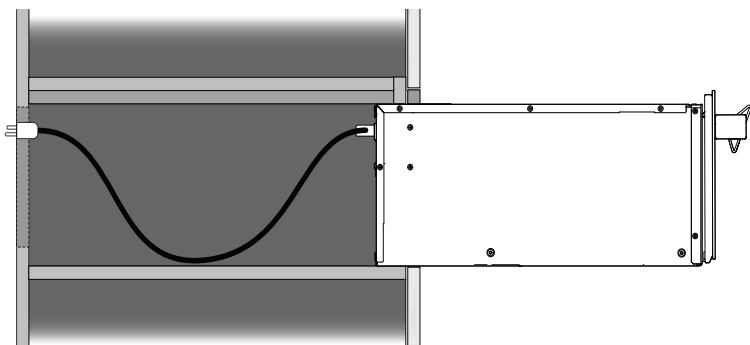
Installation encastrée Révélation sur les produits



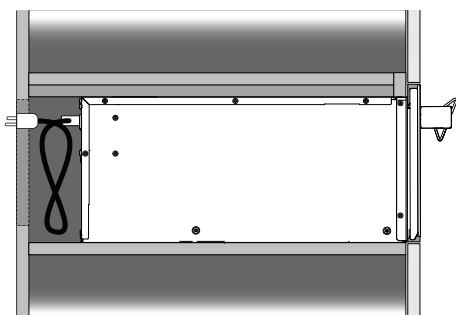
Installation



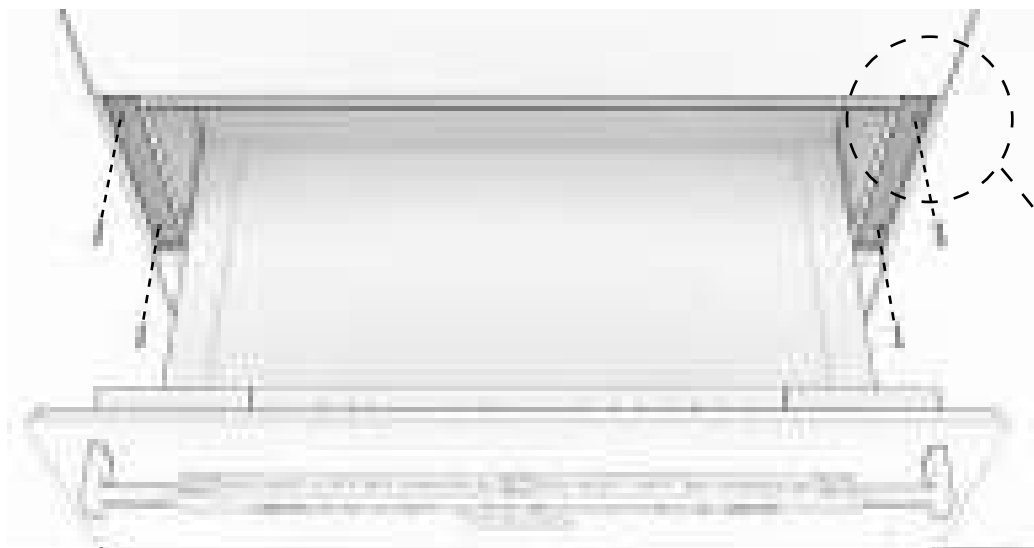
Branchez le tiroir chauffant dans la prise de courant.



Placez le tiroir chauffant partiellement à l'intérieur de la cavité de l'armoire.

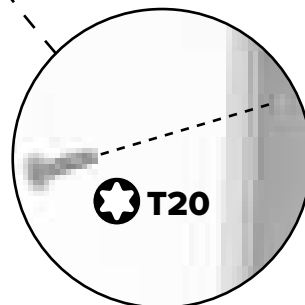


Repoussez le tiroir chauffant dans l'armoire jusqu'à ce que les brides d'installation rencontrent l'armoire.



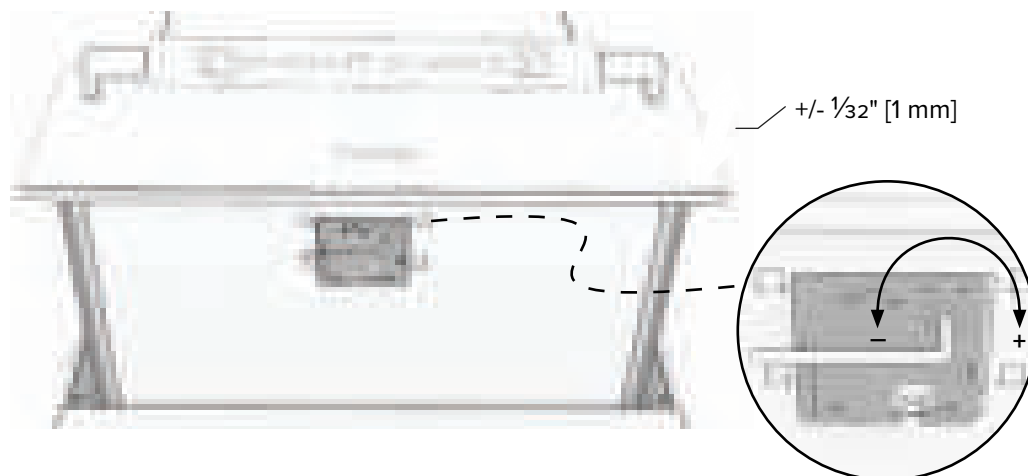
Assurez-vous de centrer et d'aligner le tiroir chauffant avec les armoires.

Fixez le tiroir chauffant aux armoires via les brides d'installation avec les 4 vis à tête fraisée à tête étoilée n° 10 T20 incluses.



Mesure finale et réglage du panneau avant en verre

Réglage de la profondeur de la vitre avant



Utilisez une clé hexagonale de 6 mm L pour ajuster l'alignement de la profondeur du verre, afin qu'il soit aligné à l'armoire.

Le total ajustable est $\frac{3}{32}$ " (2 mm)

Dans le sens des aiguilles d'une montre - Déplace le verre panneau vers l'arrière.

Dans le sens inverse des aiguilles d'une montre - Déplace le panneau de verre vers l'avant.

Réglage de la hauteur de la vitre avant

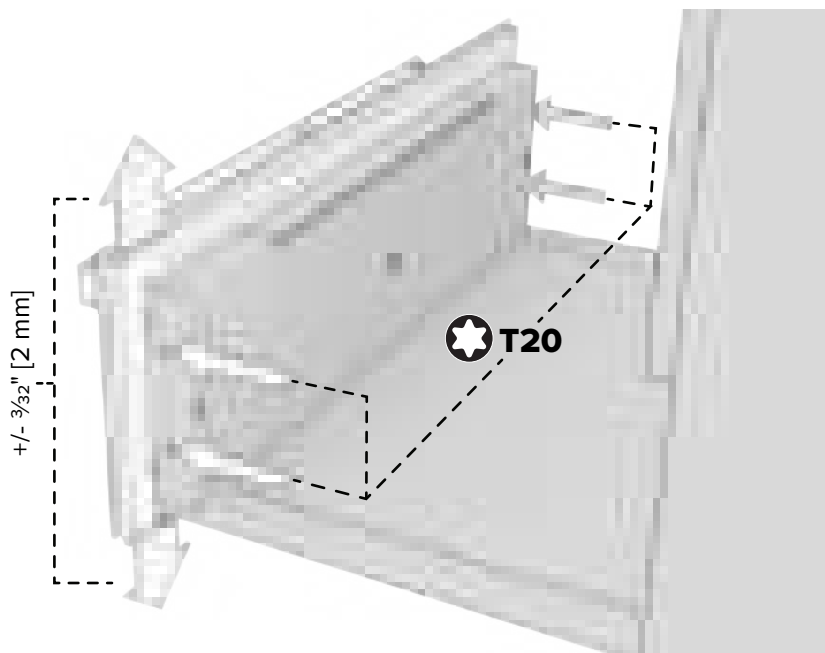
Tirez complètement le tiroir et desserrez légèrement les quatre vis de chaque côté du panneau de commande.

Ne desserrez les vis qu'assez pour permettre au panneau de verre avant de bouger avec une pression appliquée. Cela aidera à n'appliquer que des ajustements mineurs.

À l'aide d'un niveau à bulle, ajustez la hauteur des deux côtés du panneau de verre avant et assurez-vous que le bord du verre est parallèle aux bords environnants.

Resserrez à la main les quatre vis une fois l'alignement souhaité obtenu. Ne serrez pas trop à l'aide d'une perceuse ou d'autres moyens mécaniques. Un serrage excessif peut endommager le matériel de raccordement.

La force maximale autorisée est de 17,2 lb (2 Nm).



Liste de vérification finale de l'installation

Lisez toutes les instructions d'installation de ce manuel pour voir si l'appareil a été correctement installé avant utilisation.

Veillez à ce que :

- Le tiroir chauffant est de niveau et solidement fixé aux armoires.
- Tout l'emballage interne a été retiré du tiroir.
- L'interrupteur d'isolement est accessible par le client.
- L'étagère inférieure peut supporter entièrement le poids total des appareils combinés.

Opération d'essai :

- Ouvrez le tiroir.
- Appuyez sur le ⓘ bouton d'alimentation pour allumer le tiroir chauffant.
- Fermez le tiroir.
- Après 0,5 à 1 minute, ouvrez le tiroir pour sentir les surfaces internes ou pour voir s'il est légèrement réchauffé.
- Appuyez sur le ⓘ bouton d'alimentation pour éteindre le tiroir chauffant et fermez le tiroir.

Remarques

UTILISATION ET ENTRETIEN

Bienvenue et merci

Nous souhaitons vous souhaiter la bienvenue et exprimer notre sincère gratitude pour votre récent achat d'un nouveau tiroir chauffant de Viking Range. Nous sommes ravis que vous ayez choisi notre produit pour améliorer votre expérience culinaire.

Chez Viking Range, nous sommes très fiers de fournir des appareils de haute qualité qui combinent une technologie innovante avec un savoir-faire exceptionnel. Nos tiroirs chauffants sont conçus pour vous offrir le maximum de commodité et d'efficacité, en veillant à ce que vos repas soient toujours servis à la température idéale.

Dans ce manuel d'utilisation, vous trouverez des instructions détaillées sur la façon de tirer le meilleur parti de votre nouveau tiroir chauffant. Nous avons inclus des guides étape par étape, des conseils utiles et des renseignements de sécurité importantes pour assurer une expérience fluide et agréable.

Si vous avez des questions ou avez besoin d'aide, n'hésitez pas à communiquer avec notre équipe du service à la clientèle dédiée. Nous sommes là pour vous aider à tirer le meilleur parti de votre tiroir chauffant Viking Range.

Encore une fois, merci d'avoir choisi Viking Range. Nous sommes convaincus que votre nouveau tiroir-réchaud dépassera vos attentes et deviendra un complément indispensable à vos projets culinaires.

Enregistrez votre produit

Veuillez visiter le site Web de Viking Range's (vikingrange.com/register) pour enregistrer votre produit et créer un compte **Mon Viking** pour profiter de ces avantages :

- Enregistrez vos achats avec la possibilité de suivre les renseignements sur vos produits en ligne.
- Accédez immédiatement à vos numéros de série, dates d'installation, et modes d'emploi et d'entretien.
- Voir et acheter des accessoires de produits conçus pour vos produits enregistrés.
- Possibilité de s'inscrire à des courriels périodiques avec de nouveaux renseignements sur les produits, de nouvelles promotions passionnantes, des recettes et plus encore.

Inscrivez-vous dès maintenant à l'adresse vikingrange.com/register, ou remplissez et renvoyez la carte d'enregistrement incluse.

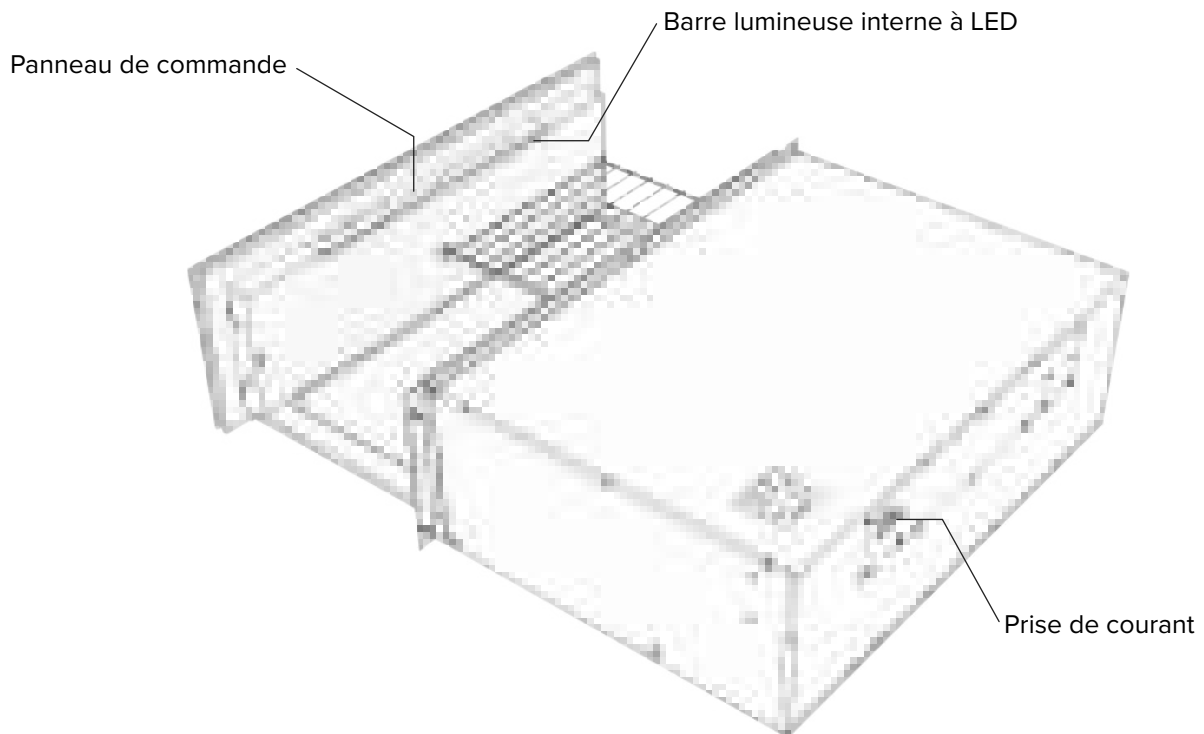
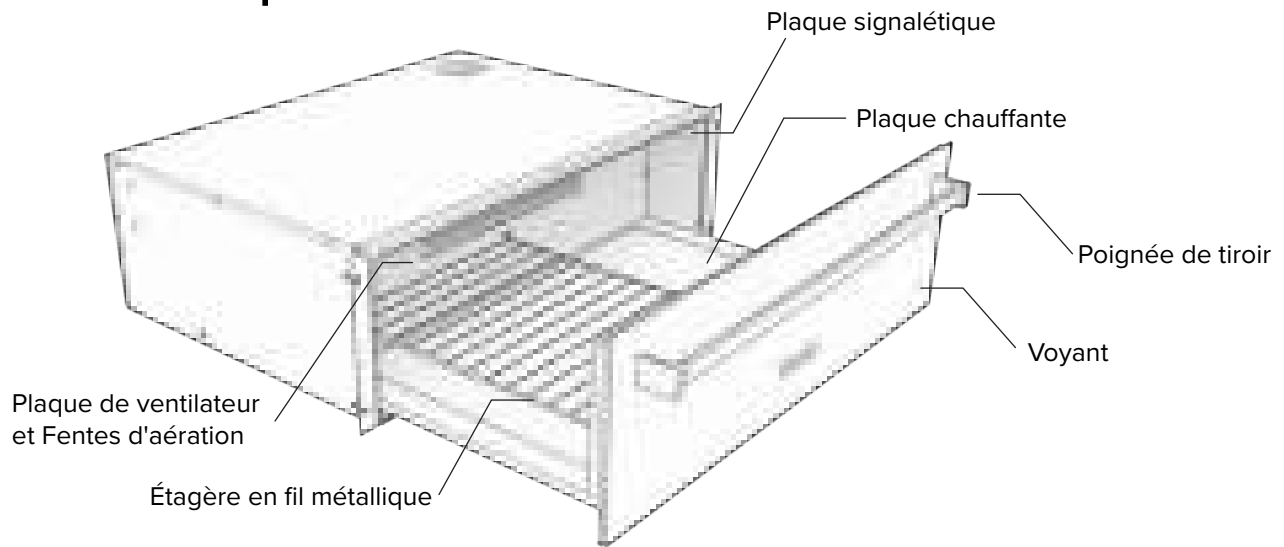
Comment éviter d'endommager votre appareil

- N'utilisez pas d'objets susceptibles de rouiller dans le tiroir chauffant.
- L'utilisation de couteaux ou de molettes causera endommagera visiblement la surface chauffante du verre.
- Éviter de surcharger ou d'appliquer trop de poids au tiroir peut endommager les glissières du tiroir-réchaud. La charge maximale est de 55 lb (25 kg).
- Pour éviter toute possibilité de corrosion, laissez le tiroir s'aérer après utilisation. Ceci est particulièrement important après avoir effectué un cycle de réchauffement qui génère beaucoup de vapeur.
- Lors du nettoyage de l'appareil, pour éviter toute pénétration d'eau dans les composants électriques, ne versez, ni ne vaporisez de liquide sur ou autour de l'appareil. Utilisez plutôt un chiffon humide.
- Évitez de placer des plats en céramique sans revêtement ou du métal pointu directement sur la plaque chauffante, car ces matériaux peuvent rayer ou creuser la surface en verre.

Comment éviter d'endommager la poignée en chrome noir

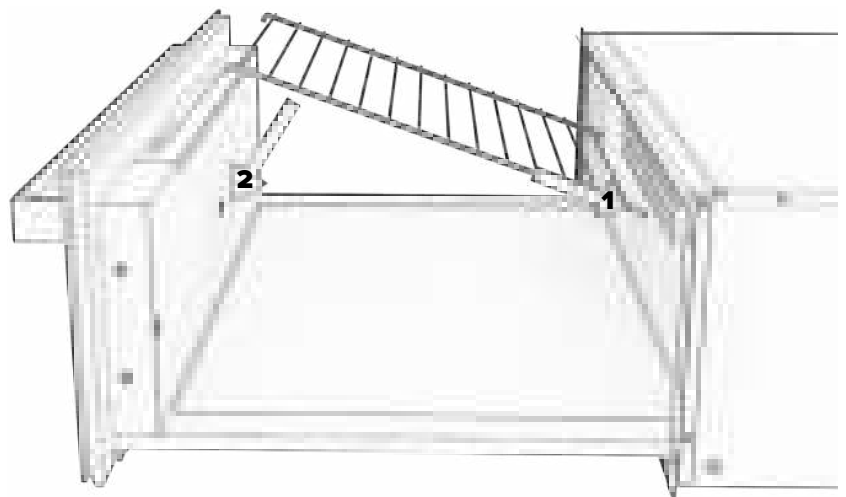
- Utilisez uniquement un nettoyant très doux ou de l'eau.
- Utilisez uniquement des chiffons en microfibre.
- L'utilisation de serviettes en papier ou de vêtements rugueux pour le nettoyage laissera des rayures très visibles sur les finitions en chrome noir.

Caractéristiques et accessoires



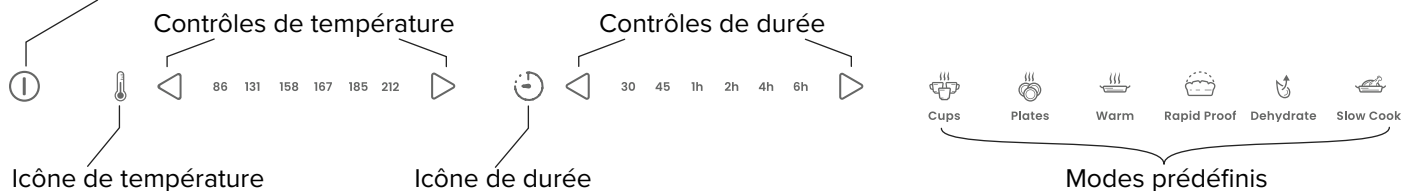
La grille métallique peut être insérée sur le côté gauche ou droit du tiroir-réchaud.

L'étagère métallique est bénéfique pour ajouter de l'espace supplémentaire pour les plats alimentaires ou assurer une circulation d'air optimale autour des aliments en cours de déshydratation.



Contrôles du panneau de commande

(Maintenir) Marche/Arrêt
(Appuyez) Mode Veille



Utilisation des commandes

Ce tiroir chauffant utilise une interface tactile capacitive, comme votre téléphone intelligent. Aucune pression n'est nécessaire pour activer les commandes.

Pour l'utiliser, assurez-vous que votre doigt est suffisamment en contact avec l'icône de commande (emplacement du bouton) et qu'il est maintenu assez longtemps pour entendre un bip.

Veillez noter que les doigts mouillés ou une interface de commande mouillée entraîneront probablement un comportement erratique des commandes. Lors de l'utilisation du tiroir chauffant, assurez-vous que vos mains, et l'interface de commande sont propres et sèches.

Utilisation du tiroir-réchaud

Mode Veille

- Le tiroir chauffant se met automatiquement en mode veille lorsqu'il est branché.
- Le bouton d'alimentation faiblement allumé indique que le tiroir-réchaud est en mode veille.
- Le mode veille est un mode basse consommation qui permet au tiroir de reprendre rapidement toutes les fonctionnalités pour votre commodité.

Cycle de fonctionnement général

1. **RÉVEIL** - Appuyez sur le bouton d'alimentation pour réveiller le tiroir du mode Veille
2. **SÉLECTIONNER LES PARAMÈTRES** - Sélectionnez la fonction de chauffage du mode pré-réglé souhaitée, ou la température et la durée souhaitées. Si aucune fonction n'est sélectionnée, le tiroir démarrera au réglage par défaut de 86°F pendant 30 minutes.
3. **FONCTIONNEMENT** - Le chauffage démarre et le voyant s'allume une fois le tiroir complètement fermé.
 - PAUSE** - L'ouverture du tiroir pendant le fonctionnement entraîne une pause du programme. Le voyant lumineux clignotera.
 - RENSEIGNEMENTS DE FONCTIONNEMENT** - La température approximative actuelle et la durée restante peuvent être consultées à tout moment via les chiffres éclairés sur le panneau de commande.
 - RÉGLAGE DES PARAMÈTRES** - Il est possible de régler la durée et la température du tiroir à tout moment pendant son fonctionnement. Les modes prédéfinis peuvent être ajustés à partir des paramètres par défaut avant ou pendant le fonctionnement.
4. **MODIFIER LE FONCTIONNEMENT / ANNULER** - Pour annuler le fonctionnement du tiroir et/ou pour passer à un autre mode, le tiroir doit être mis en veille et réveillé à nouveau via le bouton d'alimentation.
5. **FIN DU FONCTIONNEMENT** - Une tonalité retentira toutes les 10 secondes pour un total de 5 fois, le voyant lumineux s'éteindra et le symbole d'alimentation s'atténuera.

Soyez prudent lorsque vous déchargez le tiroir, la plaque chauffante et son contenu seront chauds.

REMARQUE :

- Pour assurer la sécurité et prévenir les dangers potentiels, il est important de ne pas laisser le tiroir chauffant sans surveillance pendant de longues périodes de temps lors d'un fonctionnement continu. Une exposition prolongée à la chaleur peut entraîner le dessèchement des aliments et même présenter un risque d'incendie.
- Rassurez-vous, votre tiroir chauffant est conçu avec une fonction de sécurité intégrée. Après un maximum de 12 heures de fonctionnement continu, le tiroir passera automatiquement en mode veille, offrant une couche de protection supplémentaire.
- Pour une mesure précise de la température, ne vous fiez pas au réglage de température affiché, utilisez un thermomètre. Le réglage de la température indique la température approximative de la plaque chauffante en verre. De plus, l'appareil fonctionne par cycles de chauffe ce qui fait varier la chaleur dans le tiroir.

Explication des modes prédéfinis



Tasses - La chaleur circule depuis la plaque chauffante

- 131°F (55°C) la chaleur circule pendant 30 minutes.
- Le temps de chauffage varie en fonction du matériau de la tasse, de l'épaisseur, de la quantité, de la hauteur et de la disposition.
- Ne bloquez pas les fentes d'aération à l'arrière du tiroir avec des tasses ou des verres. Cela perturbera le flux d'air et provoquera un chauffage inégal.
- Il faut environ 30 minutes pour chauffer des tasses pour 6 personnes.
- **MISE EN GARDE : Des brûlures peuvent survenir! La surface de la plaque chauffante est extrêmement chaude. Les objets situés près des bords du tiroir deviennent plus chauds que ceux du centre. Pour manipuler la vaisselle en toute sécurité, utilisez toujours des gants de protection ou de cuisine.**



PLAQUES - La chaleur circule depuis la plaque chauffante

- 167°F (75 °C) la chaleur circule pendant 45 minutes.
- Le temps de chauffage varie en fonction du matériau de la plaque, de l'épaisseur, de la quantité, de la hauteur et de la disposition.
- Répartissez les plats uniformément sur toute la plaque chauffante. L'empilement des assiettes augmentera le temps qu'il leur faut pour chauffer par rapport à la mise en place de chaque article individuellement.
- Ne bloquez pas les fentes d'aération à l'arrière du tiroir avec de grandes plaques. Cela perturbera le flux d'air et provoquera un chauffage inégal.
- Il faut environ 45 minutes pour chauffer des couverts pour six personnes.



CHAUD - La chaleur circule à partir de la plaque chauffante et du ventilateur arrière

- Préchauffez le tiroir pendant au moins 15 minutes avant l'utilisation.
- 185°F (85 °C) la chaleur est produite pendant 60 minutes.
- Fournit une chaleur constante et douce pour maintenir la température des aliments cuits, les gardant chauds et prêts à servir.
- Pour éviter les déversements, évitez de trop remplir le tiroir. Empêchez les aliments de se dessécher en les recouvrant d'un couvercle résistant à la chaleur ou d'une feuille d'aluminium.
- **MISE EN GARDE : Le mode CHAUD sert à garder les aliments au chaud après la cuisson, et non à réchauffer les aliments réfrigérés. Évitez de placer des casseroles chaudes directement sur la plaque chauffante pour éviter tout dommage. Utilisez le mode WARM uniquement pour garder les aliments au chaud.**



SÉCHAGE RAPIDE - Une chaleur douce est générée à partir de la plaque chauffante

- 86°F (30 °C) la chaleur est produite pendant 30 minutes.
- Idéal pour faire du pain ou préparer des pizzas. Crée un environnement chaud et sans courant d'air parfait pour lever la pâte.



DÉSHYDRATER - La chaleur circule à partir de la plaque chauffante et du ventilateur arrière

- 158°F (70 °C) la chaleur circule pendant 4 heures.
- Fournit une chaleur douce et constante pour déshydrater et sécher les aliments (viande, fruits, légumes et herbes).
- Parfait pour conserver les aliments et faire des collations nutritives, comme le bœuf séché et le cuir de fruits.
- Pour des résultats optimaux, placez les aliments à plat sur la grille sans les chevaucher.
- Lors de la déshydratation de la viande, n'oubliez pas de la retourner à mi-cuisson pour assurer un séchage uniforme.
- Conservez les aliments déshydratés dans un récipient hermétique une fois qu'ils ont complètement refroidi.



CUISSON LENTE - La chaleur circule à partir de la plaque chauffante et du ventilateur arrière

- 212°F (100 °C) la chaleur circule pendant 6 heures
- Parfait pour ajouter la touche finale aux viandes saisies cuites à basse température, comme les viandes rôties, les casseroles, les ragoûts et les braises.
- Il n'est pas nécessaire de laisser reposer la viande avant de la servir lors de la cuisson à basse température. La viande peut être découpée et servie directement du tiroir.

Fonctions supplémentaires

Départ différé

La mise en marche différée allume automatiquement le tiroir-réchaud une fois que la durée a atteint zéro, puis s'éteint à la fin d'un cycle.

1. **RÉVEIL** - Appuyez sur le bouton d'alimentation pour réveiller le tiroir du mode Veille
2. **SÉLECTIONNER LES PARAMÈTRES** - Sélectionnez la fonction de chauffage du mode pré-réglé souhaitée, ou la température et la durée souhaitées.
3. **ACTIVER LE DÉMARRAGE DIFFÉRÉ** - Touchez et maintenez enfoncé le bouton Flèche droite de durée pendant 5 secondes (5 clics retentiront) ou jusqu'à ce que l'icône de durée commence à clignoter pour activer la fonction de démarrage différé.
4. **SAISIR LE TEMPS DE RETARD** - Appuyez sur les boutons Fléchés gauche et droite pour modifier le temps différé de l'opération.
5. **DÉMARRAGE DIFFÉRÉ** - Fermez le tiroir pour lancer la fonction Démarrage différé. Le voyant lumineux à l'avant du tiroir commencera à clignoter, comme lorsque le tiroir a interrompu son fonctionnement actuel, car il est ouvert.
6. **FONCTIONNEMENT DE DÉMARRAGE** - Le voyant lumineux s'allume solidement lorsque le démarrage différé est terminé et que le tiroir a automatiquement démarré son fonctionnement.

Mode Sabbat

Le mode Sabbat est spécialement conçu pour les confessions religieuses qui observent l'obligation de s'abstenir de travailler le jour du sabbat. Ce mode permet à l'appareil de fonctionner jusqu'à 72 heures sans activer les fonctions d'arrêt de sécurité et d'éclairage, sauf en cas de dysfonctionnement.

1. **RÉVEIL** - Appuyez sur le bouton d'alimentation pour réveiller le tiroir du mode Veille
2. **SÉLECTIONNER LES PARAMÈTRES** - Sélectionnez la température et la durée souhaitées.
3. **ACTIVER LE MODE SABBAT** - Touchez et maintenez le bouton d'alimentation enfoncé pendant 10 secondes (10 clics retentiront). Les icônes de température et de durée clignotent 3 fois pour indiquer l'activation du mode Sabbat. Tout éclairage cessera de fonctionner à ce stade.
4. **MODE SABBAT ACTIF** - Le tiroir chsuffant fonctionnera jusqu'à 72 heures sans activer les fonctions d'arrêt de sécurité et d'éclairage.

Désactivez le mode Sabbat.

DÉSACTIVER LE MODE SABBAT - Touchez et maintenez le bouton d'alimentation enfoncé pendant 10 secondes, et relâchez. Les icônes de température et de durée clignotent 3 fois pour indiquer la désactivation du mode Sabbat. Tout éclairage commencera à fonctionner à ce stade.

Nettoyage et entretien

- Avant d'effectuer tout nettoyage ou entretien de routine sur le tiroir chauffant, il est important de s'assurer qu'il est froid et en mode veille. Le nettoyage du tiroir alors qu'il est encore chaud peut entraîner l'évaporation d'eau dure et de produits chimiques, ce qui peut endommager la finition du tiroir.
- N'utilisez pas le tiroir pour faire bouillir des liquides, ou nettoyer à haute pression ou à la vapeur. Les composants électriques ne sont pas étanches de manière à les protéger contre une humidité excessive.
- N'utilisez pas de produits de nettoyage abrasifs ou caustiques, de nettoyeur pour acier inoxydable, de tampons à récurer, de laine d'acier, etc., car ils peuvent endommager la surface.

Nettoyage de l'extérieur

- Ne laissez aucune solution de nettoyage reposer. Si utilisé, appliquez et retirez rapidement. Utilisez un chiffon doux et humide. Ajoutez une goutte de savon liquide pour le lavage des mains sur le chiffon pour éliminer l'huile et la graisse.

Nettoyage de l'intérieur

- Essayez immédiatement tout désordre à l'intérieur du tiroir. Soyez prudent si le désordre renversé est chaud.
- Le panneau de commande, la plaque chauffante et la plaque de ventilation doivent être nettoyés avec un chiffon doux et humide. Ajoutez une goutte de savon liquide pour le lavage des mains sur le chiffon pour éliminer l'huile et la graisse.

Dépannage

Si un défaut n'est pas listé ci-dessous ou ne peut pas être réparé, veuillez communiquer avec Viking Preferred Service.

Problème	Causes possibles	Correction
Les plats et/ou aliments restent froids.	L'appareil n'est pas allumé.	Appuyez sur le bouton d'alimentation pour activer le tiroir chauffant.
	Une interruption de l'alimentation électrique.	Assurez-vous que votre tiroir-réchaud est bien branché à la fois dans la prise murale et à l'arrière du tiroir lui-même. De plus, veuillez vérifier le disjoncteur de l'alimentation électrique de votre cuisine.
	Le tiroir n'est pas bien fermé.	Vérifiez que le tiroir-réchaud est complètement fermé et que le voyant lumineux ne clignote pas.
Les plats et/ou les aliments ne sont pas suffisamment chauds.	Durée de chauffe trop courte.	Allonger la durée de réchauffement.
	Le tiroir n'est pas bien fermé.	Vérifiez que le tiroir est correctement fermé et assurez-vous que la chaleur ne s'échappe pas par l'avant du tiroir.
	La température n'est pas suffisamment élevée.	Sélectionnez un réglage de température plus élevé.
	La circulation de l'air et de la chaleur n'est pas adéquate.	Réorganisez la disposition de la vaisselle dans le tiroir.
Le voyant lumineux clignote constamment tant et aussi longtemps que le tiroir reste fermé.	Le voyant clignotant confirme que le tiroir est bien fermé et qu'un démarrage différé a été programmé.	Pour redémarrer, éteignez et rallumez le tiroir à l'aide du bouton d'alimentation. ou Fermez le tiroir et laissez la fonction de temporisation suivre son cours.
Le voyant lumineux clignote constamment lorsque le tiroir est ouvert.	Le tiroir est ouvert et une opération a été interrompue.	Fermez le tiroir pour continuer l'opération.
Le voyant ne s'allume pas lorsque le tiroir est en marche.	Le mode Sabbat est activé.	Désactivez le mode Sabbat en maintenant le bouton d'alimentation enfoncé pendant 10 secondes.
	La lampe témoin est défectueuse.	Communiquez avec Viking Preferred Service.
Le panneau de commande ne répond pas au toucher.	Le mode Sabbat est activé.	Désactivez le mode Sabbat en maintenant le bouton d'alimentation enfoncé pendant 10 secondes.
	Le panneau de contrôle est défectueux.	Communiquez avec Viking Preferred Service.
	Une interruption de l'alimentation électrique.	Assurez-vous que votre tiroir-réchaud est bien branché à la fois dans la prise murale et à l'arrière du tiroir lui-même. De plus, veuillez vérifier le disjoncteur de l'alimentation électrique de votre cuisine.
Le tiroir ne peut pas être ouvert ou fermé.	Le mécanisme pousser-tirer est défectueux.	Communiquez avec Viking Preferred Service.
La bande lumineuse LED interne ne s'allume pas.	Une interruption de l'alimentation électrique.	Assurez-vous que votre tiroir-réchaud est bien branché à la fois dans la prise murale et à l'arrière du tiroir lui-même. De plus, veuillez vérifier le disjoncteur de l'alimentation électrique de votre cuisine.
	La bande LED est défectueuse.	Communiquez avec Viking Preferred Service.

Tableaux de cuisson

Les tableaux de cuisson fournis sont à titre indicatif seulement. Veuillez consulter votre recette ou l'emballage des aliments, et soyez prêt à ajuster les temps de cuisson et les paramètres au besoin.

Cas d'utilisation généraux

Cas d'utilisation	Pré-réglage de cuisson	Durée	Remarque
Chocolat fondu	Tasses	30 minutes	Utilisez des ustensiles de cuisine résistants à la chaleur et laissez-les à découvert.
Cuisson par lot (Toasts, Crêpes, Tortillas)	Chaud	1 heure	Utilisez des ustensiles de cuisson résistants à la chaleur et couvrez.
Garder le pain au chaud	Déshydrater	30 minutes	Placez les aliments directement sur la plaque chauffante. Laissez découvert
Dégivrage délicat (gâteaux à la crème, beurre, fromage, etc.)	Séchage rapide	30 min - 1 heure	Laisser dans l'emballage
Décongélation des aliments surgelés (viande, gâteau, etc.)	Tasses	30 minutes	Laisser dans l'emballage

Fonction Sécher / Déshydrater

Cas d'utilisation	Pré-réglage de cuisson	Durée	Remarque
Fruit (Pomme, Poire, Banane, Pêche, Ananas, Abricot, etc.)	Déshydrater	4 - 6 heures	Placer directement sur la grille métallique et laisser à découvert.
Légumes (Carottes, Pois, Haricots, Champignons, Tomates, etc.)	Déshydrater	4 - 6 heures	Placer directement sur la grille métallique et laisser à découvert.
Racine (Gingembre)	Déshydrater	4 - 6 heures	Placer directement sur la grille métallique et laisser à découvert.
Herbes (romarin, aneth, thym, feuilles de laurier, origan, etc.)	Déshydrater	2 - 4 heures	Placer directement sur la grille métallique et laisser à découvert.

Fonction Séchage rapide

Cas d'utilisation	Pré-réglage de cuisson	Durée	Remarque
Pain / Pâte à pizza	Séchage rapide	30 min	Mettre dans un récipient résistant à la chaleur et couvrir d'un torchon humide.
Yogourt	Séchage rapide	5 - 8 heures	Laisser couvert d'un couvercle. Utilisez des récipients ou des ramequins en verre résistant à la chaleur.
Dissoudre la gélatine	Séchage rapide	30 min	Utilisez des ustensiles de cuisine résistants à la chaleur, laissez à découvert

Bien-être

Cas d'utilisation	Pré-réglage de cuisson	Température	Durée	Remarque
Coussin chauffant fait maison (Blé, riz, maïs)	Cuisson lente	212°F (100 °C)	45 - 60 min	Placer directement sur la plaque chauffante. Chauffage lent réduit les risques de détérioration ou de brûlure
Serviettes chauffantes	Assiettes	158 °F - 185°F (70 - 85 °C)	45 - 60 min	Humidifiez les chiffons ou les serviettes, roulez-les et placez-les directement sur la plaque chauffante. Utilisez uniquement des matériaux naturels. Le matériau synthétique fondra sur la plaque chauffante.

Cuisson à basse température

La viande doit être pré-saisie avant la cuisson à basse température.

La température de 215°F (102°C) est idéale pour la cuisson à basse température et obtenir une finition parfaitement saisie sur des coupes de viande de petite à moyenne taille et de haute qualité, comme le bœuf, l'agneau, le porc et le veau. Il est important de noter que l'épaisseur de la viande ne doit pas dépasser 2 3/8" (6 cm). Pour les gros morceaux de viande, nous suggérons d'utiliser un four ou un four à vapeur.

En cuisant la viande à une température plus basse pendant une durée plus longue, vous pouvez obtenir un résultat tendre et juteux.

Préparation de votre viande

- Utilisez des ustensiles de cuisson en verre, en porcelaine ou en céramique appropriés.
- Préchauffez le tiroir contenant la batterie de cuisine au niveau de réglage.
- Faire chauffer rapidement un peu de matière grasse dans une poêle.
- Saisir la viande.
- Mettez la viande dans la batterie de cuisine préchauffée dans le tiroir pour une cuisson complète. Couvrir la batterie de cuisine avec un couvercle.

Les durées suivantes se réfèrent au processus de scellement de la viande dans de la graisse chaude.

Vaisselle	Pré-réglage de cuisson	Poids	Temps de saisie (min/côté)	Temp. interne	Temps de cuisson dans le tiroir chauffant
Steak					
Saignant	Cuisson lente	3,5 - 10,5 oz (100 - 300 g)	1 - 2	120°F (50°C)	30 - 60 minutes
Médium saignant	Cuisson lente	3,5 - 10,5 oz (100 - 300 g)	2 - 3	130°F (55°C)	30 - 60 minutes
Moyen	Cuisson lente	3,5 - 10,5 oz (100 - 300 g)	3	140°F (60°C)	30 - 60 minutes
Médium	Cuisson lente	3,5 - 10,5 oz (100 - 300 g)	3 - 4	150°F (65°C)	30 - 60 minutes
Bien cuit	Cuisson lente	3,5 - 10,5 oz (100 - 300 g)	4 - 5	160°F (70°C)	30 - 60 minutes
Filet de bœuf					
Moyen	Cuisson lente	2 - 4 lb (1 - 3 kg)	5 - 8	130°F (55°C)	4 - 6 heures
Épaule d'agneau					
Moyen	Cuisson lente	2 - 4 lb (1 - 3 kg)	5 - 8	130°F (55°C)	4 - 6 heures
Jambon Désossé					
	Cuisson lente	2 - 4 lb (1 - 3 kg)	5 - 8	150°F (65°C)	4 - 6 heures

La viande cuite à basse température n'est pas aussi chaude que la viande cuite de façon conventionnelle. Servir les sauces très chaudes. Placer les assiettes dans le tiroir chauffant pendant les 45 à 60 dernières minutes de cuisson.

Pour garder au chaud la viande cuite à basse température, revenez à 165°F (74°C) après la cuisson. Les petits morceaux peuvent rester chauds jusqu'à 45 minutes, les gros morceaux jusqu'à 2 heures.

Renseignements de service

Seules des pièces de rechange autorisées peuvent être utilisées pour effectuer l'entretien de l'appareil. **NE PAS** réparer ou remplacer une pièce quelconque de l'appareil, sauf si cela est expressément recommandé dans le manuel. Tout autre entretien doit être confié à un technicien qualifié.

Contactez Viking Range, LLC, 1-888-(845-4641), pour connaître le distributeur de pièces de rechange le plus proche de chez vous ou écrivez à :

**Viking Range, LLC
PREFERRED SERVICE
111 Front Street
Greenwood, Mississippi 38930 USA**

Notez les informations ci-dessous. Vous en aurez besoin si jamais un service est requis. Le modèle et le numéro de série de votre tiroir chauffant se trouvent sur la plaque de série située à l'intérieur, sur le côté droit de la coque extérieure du tiroir chauffant. (Voir la section Caractéristiques et accessoires pour l'image de l'emplacement)

No. de modèle. _____

No. de série _____

Date d'achat _____

Date d'installation _____

Nom du fournisseur _____

Adresse _____

Si le service nécessite l'installation de pièces, n'utilisez que des pièces autorisées pour assurer la protection en vertu de la garantie.

Ces instructions d'installation doivent être conservées avec l'appareil pour pouvoir s'y référer ultérieurement

Viking Range, LLC
111 Front Street
Greenwood, Mississippi 38930 USA
662 455-1200

Pour obtenir plus de renseignements sur les produits, appelez le 1 888 845-4641 ou visitez notre site Web à l'adresse vikingrange.com

Page laissée blanche intentionnellement

Viking Range, LLC
111 Front Street
Greenwood, Mississippi 38930 USA
(662) 455-1200

For product information, call 1-888-845-4641
or visit our website at vikingrange.com