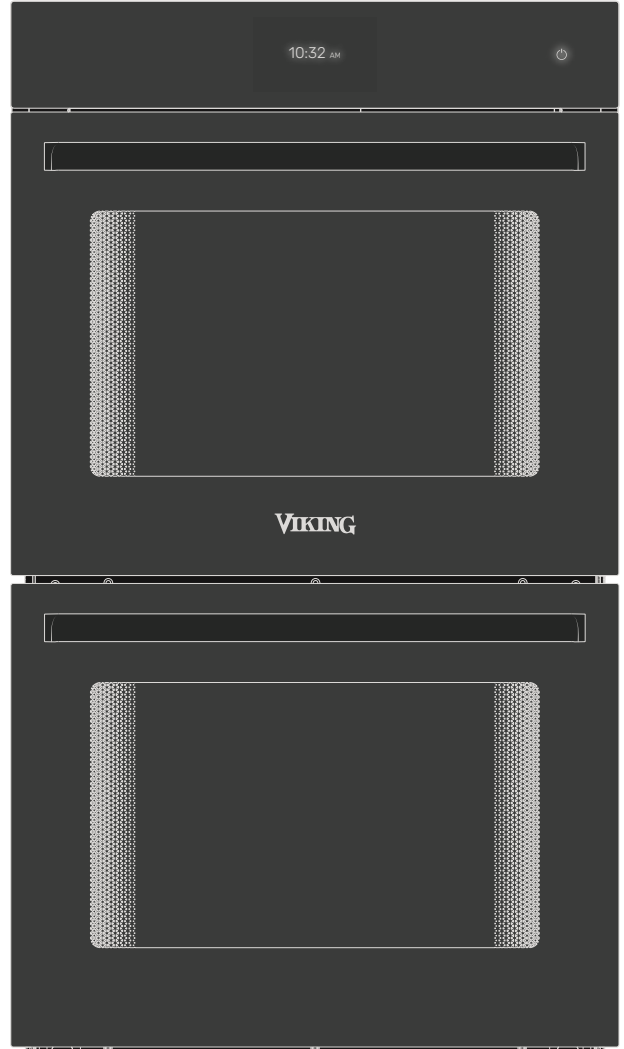


V I K I N G  
R V J



## Installation Guide

RVL - 30" Single & Double Wall Oven  
MVS0E6301BG | MVDOE6301BG  
MVS0E6301SS | MVDOE6301SS



# Table of Contents

Important Safety Instructions . . . . .	EN-4
Safety Warnings . . . . .	EN-5
<b>General Product Installation Info Single &amp; Double Oven. . . . .</b>	<b>EN-6</b>
Installation Preparation . . . . .	EN-6
Included Accessories and Parts . . . . .	EN-6
Electrical Requirements . . . . .	EN-7
Recommendations for Moving . . . . .	EN-7
Recommendations for Unpacking . . . . .	EN-7
<b>Single Oven . . . . .</b>	<b>EN-8</b>
Product Dimensions & Specifications . . . . .	EN-8
Power Requirements . . . . .	EN-8
Dimensions . . . . .	EN-9
Cabinetry Specifications - Standalone . . . . .	EN-10
Standard Install Cabinetry Dimensions . . . . .	EN-10
Standard Install Product Reveals . . . . .	EN-11
Flush Mounted Cabinetry Dimensions . . . . .	EN-12
Flush Mounted Install Product Reveals . . . . .	EN-13
Cabinetry Specifications - Undercounter . . . . .	EN-14
Standard Install Cabinetry Dimensions . . . . .	EN-14
Standard Install Product Reveals . . . . .	EN-15
Flush Mounted Cabinetry Dimensions . . . . .	EN-16
Flush Mounted Install Product Reveals . . . . .	EN-17
Side by Side Cabinetry Specifications - 2 Single Wall Ovens . . . . .	EN-18
Standard Install Cabinetry Dimensions . . . . .	EN-18
Standard Install Product Reveals . . . . .	EN-19
Flush Mounted Cabinetry Dimensions . . . . .	EN-20
Flush Mounted Install Product Reveals . . . . .	EN-21
3-Stack Cabinetry Specifications - Single Wall Oven, Steam Oven & Warming Drawer ( <i>MVSOE6301 &amp; MVSOC6301 &amp; MVWDE6301</i> ) . . . . .	EN-22
Standard Install Cabinetry Dimensions . . . . .	EN-22
Standard Install Product Reveals . . . . .	EN-23
Flush Mounted Cabinetry Dimensions . . . . .	EN-24
Flush Mounted Install Product Reveals . . . . .	EN-25

<b>Side by Side Cabinetry Specifications - Single Wall Oven, Steam Oven &amp; Warming Drawer (<i>MVSOE6301 &amp; MVSOC6301 &amp; MVWDE6301</i>)</b> . . . . .	<b>EN-26</b>
Standard Install Cabinetry Dimensions . . . . .	EN-26
Standard Install Product Reveals . . . . .	EN-27
Flush Mounted Cabinetry Dimensions . . . . .	EN-28
Flush Mounted Install Product Reveals . . . . .	EN-29
Installation Steps . . . . .	EN-30
<b>Final Install Checklist</b> . . . . .	<b>EN-32</b>
<b>Notes</b> . . . . .	<b>EN-33</b>
<b>Double Oven</b> . . . . .	<b>EN-34</b>
<b>Product Dimensions &amp; Specifications</b> . . . . .	<b>EN-34</b>
Power Requirements . . . . .	EN-34
Dimensions . . . . .	EN-35
<b>Cabinetry Specifications - Standalone</b> . . . . .	<b>EN-36</b>
Standard Install Cabinetry Dimensions . . . . .	EN-36
Standard Install Product Reveals . . . . .	EN-37
Flush Mounted Cabinetry Dimensions . . . . .	EN-38
Flush Mounted Install Product Reveals . . . . .	EN-39
<b>Side by Side Cabinetry Specifications - 2 Double Ovens (<i>MVDOE6301</i>)</b> . . . . .	<b>EN-40</b>
Standard Install Cabinetry Dimensions . . . . .	EN-40
Standard Install Product Reveals . . . . .	EN-41
Flush Mounted Cabinetry Dimensions . . . . .	EN-42
Flush Mounted Install Product Reveals . . . . .	EN-43
<b>Double-Stack Cabinetry Specifications - Double Wall Oven with Warming Drawer (<i>MVDOE6301 &amp; MVWDE6301</i>)</b> . . . . .	<b>EN-44</b>
Standard Install Cabinetry Dimensions . . . . .	EN-44
Standard Install Product Reveals . . . . .	EN-45
Flush Mounted Cabinetry Dimensions . . . . .	EN-46
Flush Mounted Install Product Reveals . . . . .	EN-47
Installation Steps . . . . .	EN-48
<b>Final Install Checklist</b> . . . . .	<b>EN-50</b>
<b>Notes</b> . . . . .	<b>EN-51</b>
<b>Service Information</b> . . . . .	<b>EN-52</b>

# Important Safety Instructions

## *Read and Follow!*

**Before beginning, please read these instruction completely and carefully.**

- **DO NOT** remove permanently affixed labels, warnings, or plates from the product. This may void the warranty.
- All local and national codes and ordinances must be observed. Installation must conform with local codes.
- The installer must leave these instructions with the consumer who should retain them for the local inspector's use and for future reference.

### **In Massachusetts:**

This appliance must be installed by a Massachusetts license plumber or electrician.

### **In Canada:**

Installation must be in accordance with the current CSA C22.1 Canadian Electrical Codes Part 1 and/or local codes.

**A GFI shall be used if required by NFPA-70 (National Electric Code), federal/state/local laws, or local ordinances.**

- The required use of a GFI is normally related to the location of a receptacle with respect to any significant sources of water or moisture.
- Viking Range, LLC will NOT warranty any problems resulting from GFI outlets which are not installed properly or do not meet the requirements below.

**If the use of a GFI is required**, it should be:

- Of the receptacle type (breaker type or portable type NOT recommended)
- Used with permanent wiring only (temporary or portable wiring NOT recommended)
- On a dedicated circuit (no other receptacles, switches or loads in the circuit)
- Connected to a standard breaker of appropriate size (GFI breaker of the same size NOT recommended)
- Rated for Class A (5 mA +/- 1 mA trip current) as per UL 943 standard
- In good condition and free from any loose-fitting gaskets (if applicable in outdoor situations)
- Protected from moisture (water, steam, high humidity) as much as reasonably possible

**SAVE THESE INSTRUCTIONS**

## Safety Key

**Your safety and the safety of others is very important.**

We have provided many important safety messages in this manual and on your appliance. Always read and obey all safety messages.



This is the safety alert symbol. This symbol alerts you to hazards that can result in severe personal injury or death.

All safety messages will be preceded by the safety alert symbol and the word “DANGER,” “WARNING” or “CAUTION.”

**! DANGER**

Hazards or unsafe practices which **WILL** result in severe personal injury or death

**! WARNING**

Hazards or unsafe practices which **COULD** result in severe personal injury or death

**! CAUTION**

Hazards or unsafe practices which **COULD** result in minor personal injury or property damage

All safety messages will identify the hazard, tell you how to reduce the chance of injury, and tell you what can happen if the instructions are not followed.

## Safety Warnings

**! DANGER**

**ELECTRICAL SHOCK HAZARD**



To avoid risk of electrical shock, personal injury or death; verify your appliance has been properly grounded in accordance with local codes or in absence of codes, with the National Electrical Code (NEC). ANSI/NFPA 70-latest edition.

**! WARNINGS**

**MOVING HAZARD**

- To avoid risk of severe personal injury; this appliance requires two or more personnel while handling and moving. Possible use of appliance moving devices is recommended.

**Damage to Product**

- Frame grounded by a 4-conductor cable assembly. See installation section.  
**DO NOT USE AN EXTENSION CORD WITH THIS APPLIANCE. SUCH USE MAY RESULT IN FIRE, ELECTRICAL SHOCK OR OTHER PERSONAL INJURY**
- DO NOT use the handle or oven door to lift the oven. Remove door before installation to ensure that it is not used to lift the unit.
- The misuse of the oven door(s) (e.g. stepping, sitting, or leaning on them) can result in hazards or injuries and damage to the product.

**Damage to Cabinetry**

- To prevent possible damage to cabinets and cabinet finishes, use only materials and finishes that will not discolor or delaminate and will withstand temperatures up to 194°F (90°C). Heat resistant adhesive must be used if the product is to be installed in laminated cabinetry. Check with your builder or cabinet supplier to make sure that the materials meet these requirements.
- The use of cabinets for storage above the oven may result in potential fire or burn hazard.

**Personal safety and use**

- The oven is heavy—use extreme care when handling.
- NEVER use this appliance as a space heater to heat or warm the room. This information is based on safety considerations.
- This appliance is not intended for use by persons (including children) whose physical, sensory or mental capabilities are different or are reduced, or lack of experience or knowledge, unless such persons receive supervision or training for the operation of the appliance by a person responsible for their safety. Children should be monitored to ensure that they do not utilize devices as a toy.

**SAVE THESE INSTRUCTIONS**

# GENERAL PRODUCT INSTALLATION

## INFO SINGLE & DOUBLE OVEN

### Installation Preparation

Installers, it is your responsibility to...

- Comply with installation specifications and dimensions.
- Properly install the unit with a certified electrician.
- Remove any molding or decorative panels that prevent the unit from being serviced.
- Provide a properly grounded electrical circuit.
- Make sure that you have the necessary tools and materials on hand to install the unit before unpacking the appliance.
- Any installation not matching the specifications discussed in these instructions will void the manufacturer's warranty.

### Design Information

The Single and Double Oven may be installed in a cabinet alone, above or below other appliances, such as a steam oven, wall oven, speed oven, or warming drawer. The Single and Double Oven may also be installed side by side. The Single Oven may be installed below a countertop, or below specified cooktops. When installing this unit directly below other built-in appliances, only install with Viking Range built-in products.

**IMPORTANT:** Always refer to individual installation instructions packed with each product for specific install requirements.

### Included Accessories and Parts

- 3 Oven Racks (Single Oven)
- OR
- 6 Oven Racks (Double Oven)
- Meat Probe
- 4 Mounting Screws (Single Oven)
- 8 Mounting Screws (Double Oven)

### Tools You May Need

- 1/8" drill bit and Electric Drill
- Phillips Screwdriver
- Hydraulic lift
- Standard wiring tools

### General Information

- Keep appliance area clear and free from combustible materials and flammable vapors.
- Disconnect the electrical supply prior to servicing.
- When removing the appliance for service, disconnect AC power supply and carefully remove the appliance by pulling forward.
- Electrical requirements are listed in the product specifications under the Product Dimensions and Specifications section for each product.

#### Site Preparation

- All openings in the wall behind the appliance or in the floor under the appliance should be sealed.
- Note: It is recommended that a thorough site inspection be conducted PRIOR to unpacking and moving this appliance.
- Confirm available access to adequate power – see electrical requirements.
  - Single oven units require a 30 amp circuit
  - Double oven units require a 50 amp circuit
- It is recommended that 3/4" or larger material be utilized to create a support platform for this appliance.
- BE SURE that support for this appliance is perpendicular to the front facing of the wall or cabinet before you perform the installation.
- Use of a hydraulic lift is recommended for the installation of double oven units.

## Electrical Requirements

- Oven requires a separate, grounded 4-wire, 240V (AC), 30 amp (single ovens) and 50 amp (double ovens) service with its own circuit breaker. Unit is equipped with no. 10 ground wire in conduit.
- Wire sizes and connections must conform with the rating of the appliance and to the requirements of the National Electrical Code, ANSI/NFPA-70 – latest edition, or Canadian Electrical Code, CSA C22.1-1982 and C22.2 No. 01982 – latest edition, and all local codes and ordinances.
- Oven must be connected to the proper electrical voltage and frequency as specified on the model/serial rating plate (located inside the vent on the right side of the oven).
- Oven must be connected to grounded metal permanent wiring system. Check with a certified electrician to make sure the oven is properly grounded.
- Do not ground to a gas pipe.
- Do not use an extension cord with this appliance, because this may result in electrical shock or other personal injury.
- The electrical conduit must be kept to the top left for a flush installation. Never cut the conduit.
- Junction boxes installed on rear wall directly behind oven must be recessed.
- A UL-Listed conduit connector must be provided at the junction box.
- Do not install a fuse in the neutral or grounding circuit. We recommend a time-delayed fuse or circuit breaker. Connect directly to the fuse disconnect (or circuit breaker box) through flexible armored, or non-metallic sheathed, copper cable (with grounding wire).

## Recommendations for Moving

- Only proper equipment should be used to move products.
- ALWAYS take steps to protect flooring at the installation location when moving products.
- NEVER lift or use the oven door handles while moving and installing the appliance. It will break the glass.

## Recommendations for Unpacking

- Products are shipped on pallets with foam footings and corrugated inner-packing.
- Products are anchored to the pallet using metal straps that are screwed to the bottom of the product and the pallet.
- DO NOT remove protective packaging until you are ready to perform the installation.
- To remove the packaging:
  1. Remove the banding holding the box to the skid.
  2. Remove the staples located at the front and rear bottom of the outer box.
  3. Remove the outer box by lifting it off.
  4. Remove any inner-packing and the protective bag.
  5. Detach the metal anchor strips holding the oven to the skid on both sides of the appliance by removing the attachment screws.
- DO NOT remove the protective wrapping from the product control panel until the product is installed.

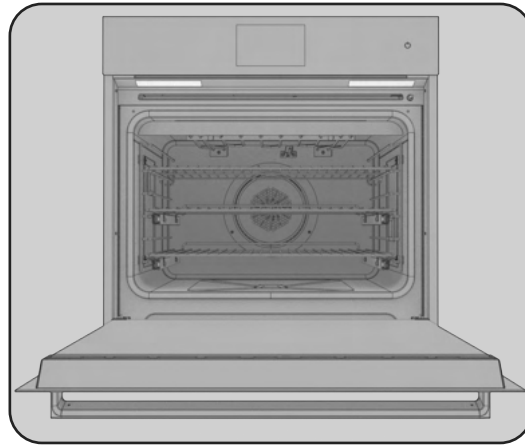
# SINGLE OVEN

## Product Dimensions & Specifications

### Power Requirements

Description	Single Wall Oven - MVSOE6301
Electrical Requirement	Oven requires a separate, grounded 4-wire, 240V (AC), 30 amp (single ovens) service with its own circuit breaker. Unit is equipped with no. 10 ground wire in conduit. Should be fused separately.
Max Amp Usage	240 VAC - 25.0 amps, 6.0 kW 208 VAC - 21.6 amps, 4.5kW

### Location of Serial Plate

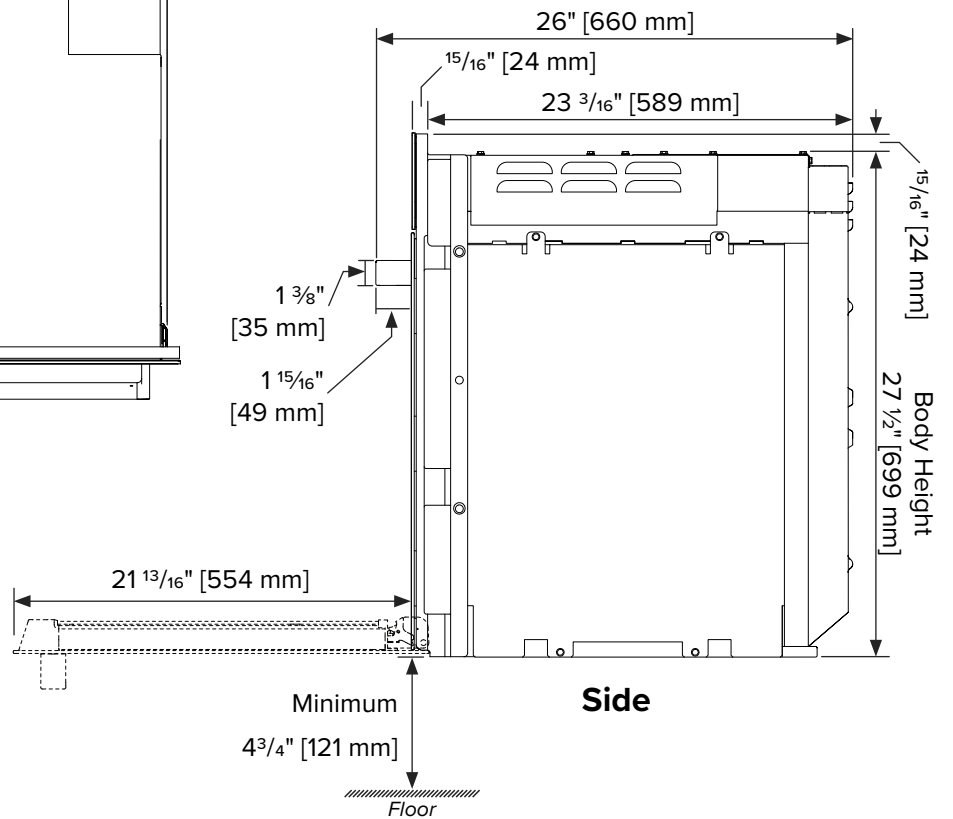
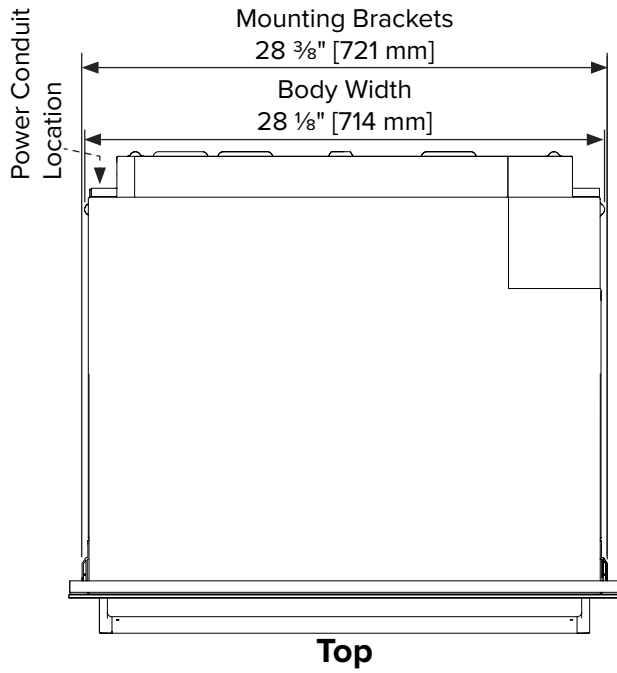
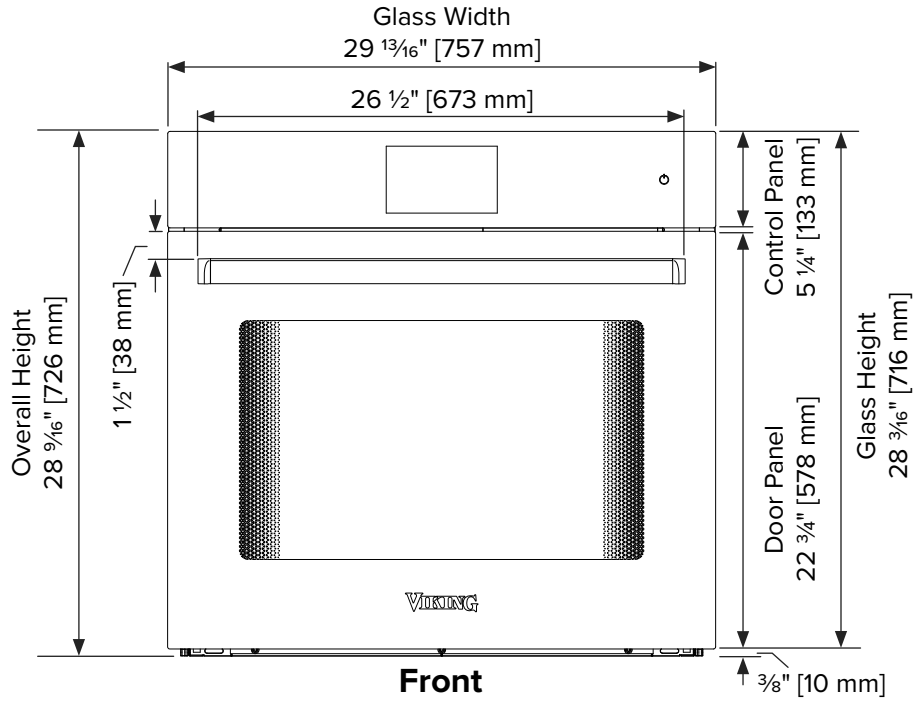


Serial Labels are located in the same locations on Single and Double Ovens.  
\* Additional Serial Label located externally on top of the unit.

### Dimensions

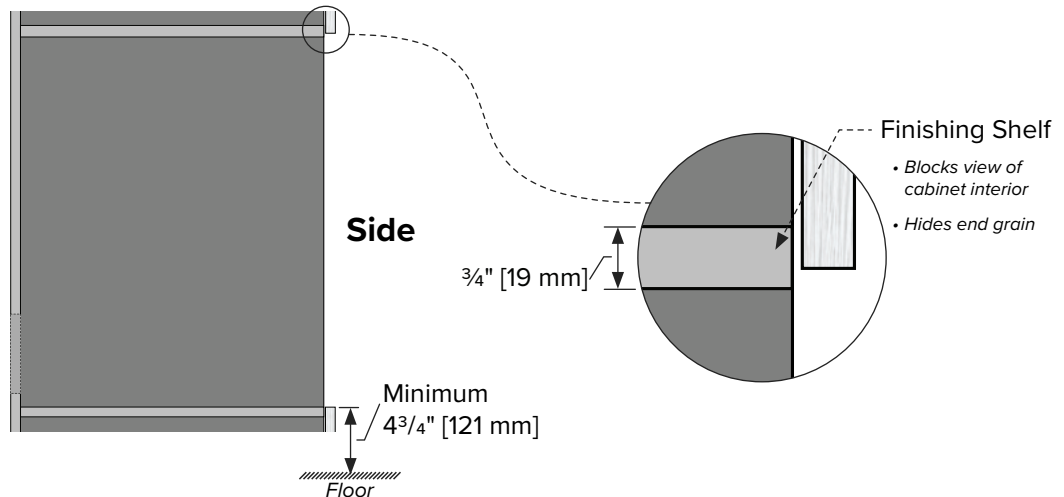
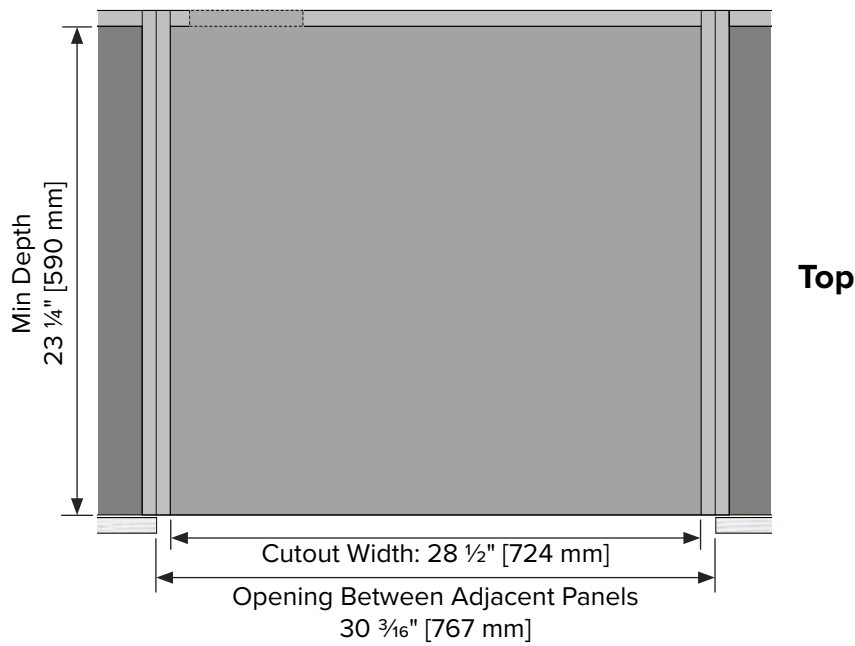
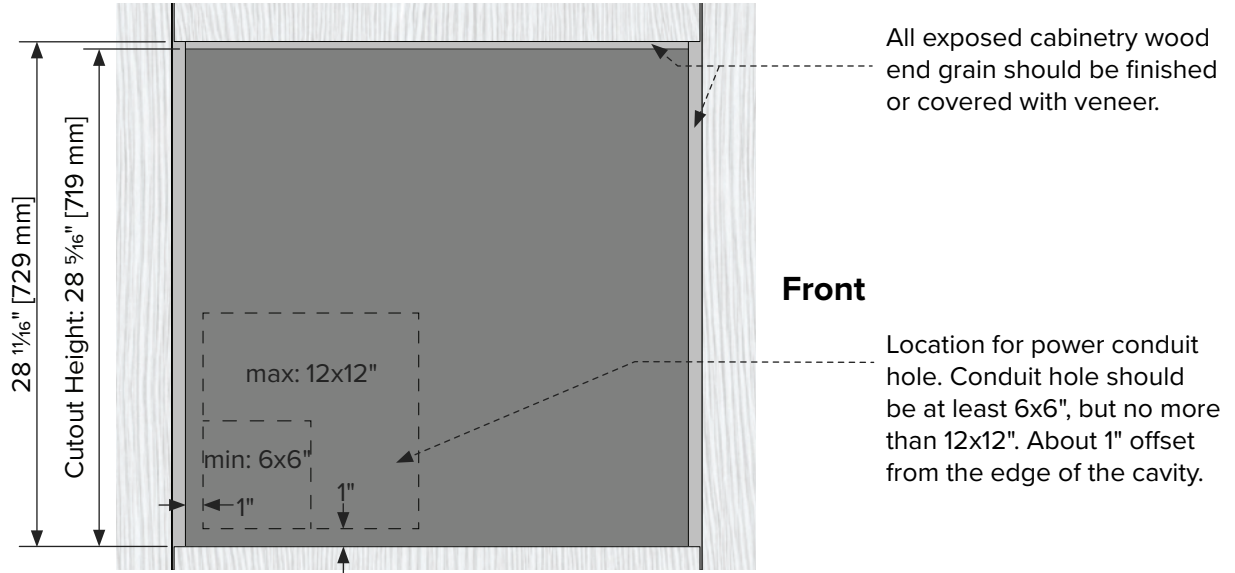
Description		MVSOE6301	
<b>Width</b>	Overall	29 13/16"	[757 mm]
	Width of Body	28 1/8"	[714 mm]
<b>Height</b>	Overall	28 9/16"	[726 mm]
	Glass Height	28 3/16"	[716 mm]
	Height of Body	27 1/2"	[699 mm]
<b>Depth</b>	Overall to front of Handle	26"	[660 mm]
	Overall to front of Glass	24 1/8"	[613 mm]
	Depth into Cabinetry	23 3/16"	[589 mm]
	Door Open	21 13/16"	[554 mm]
<b>Interior</b>	Interior Width	25"	[635 mm]
	Interior Height	16"	[406 mm]
	Interior Depth	18 1/2"	[500 mm]
	Oven Volume (AHAM Standard)	3.8 ft <sup>3</sup>	[0.1076 m <sup>3</sup> ]
	Oven Volume (total oven cavity)	4.3 ft <sup>3</sup> .	[0.1218 m <sup>3</sup> ]
Approximate Shipping Weight		260lbs	117.93kg

# Dimensions

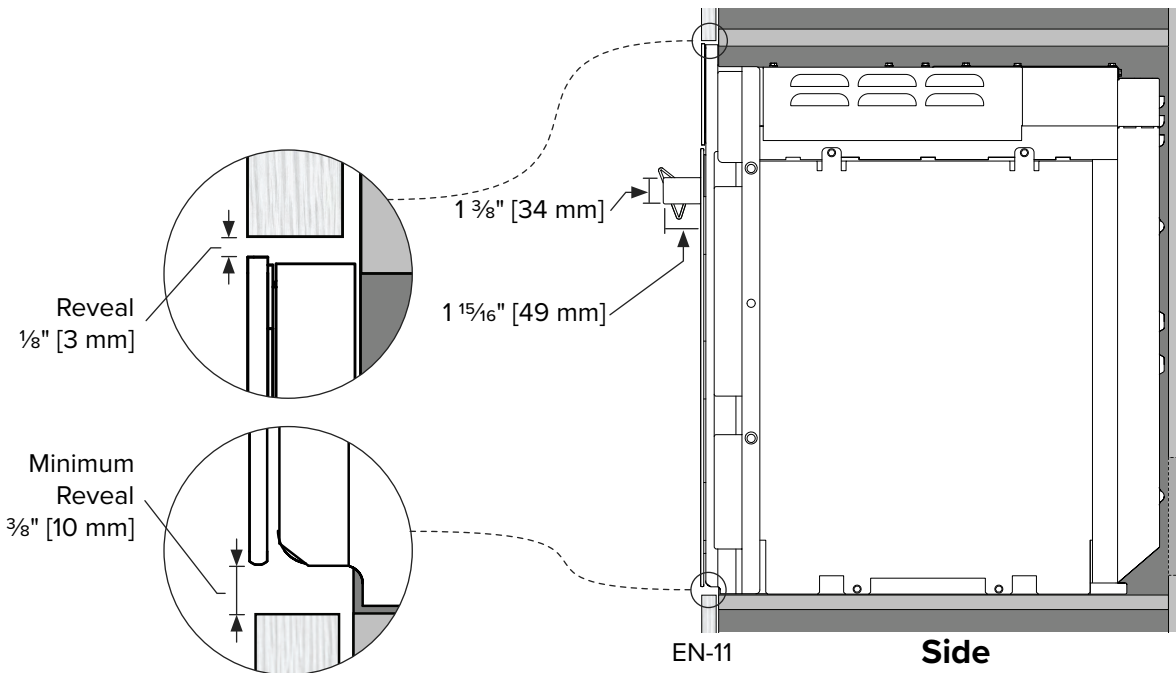
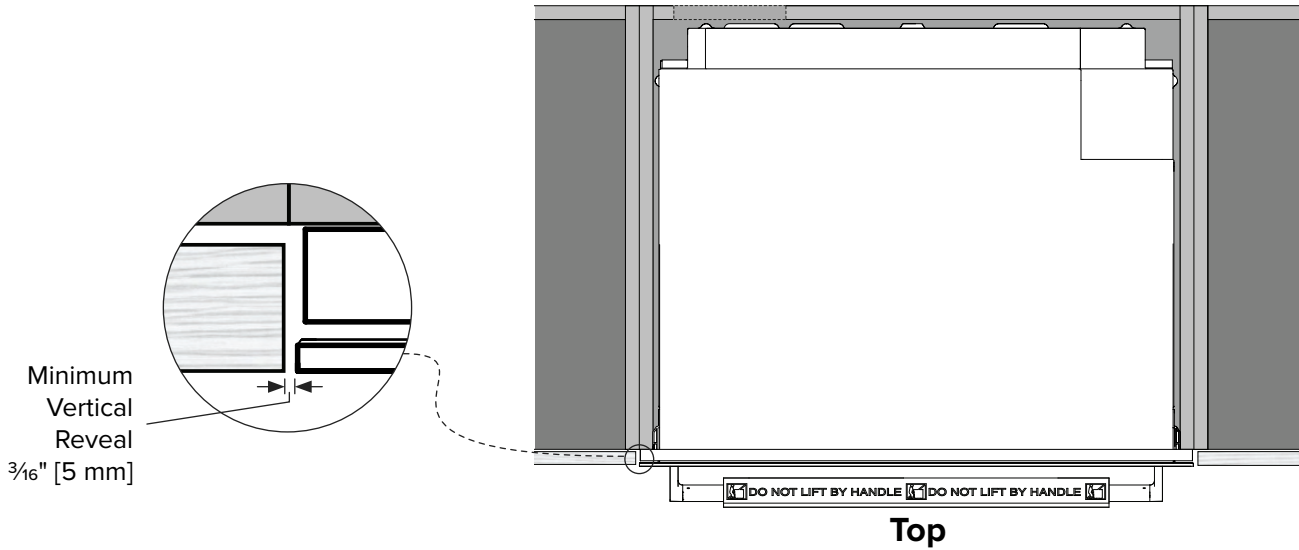
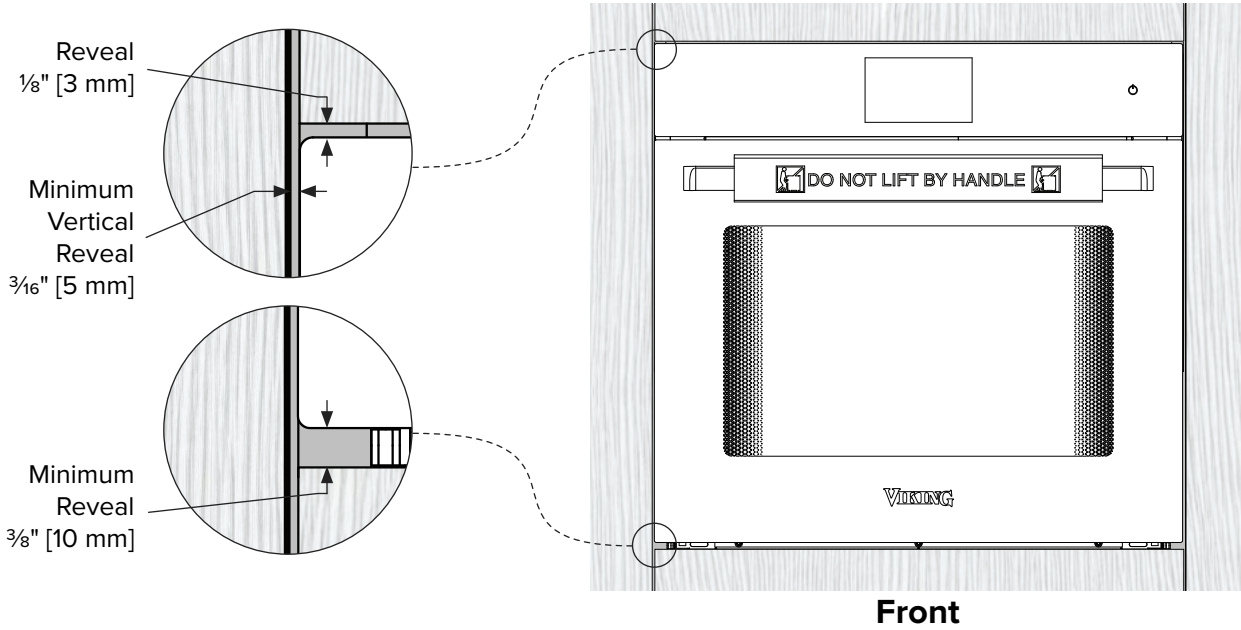


# Cabinetry Specifications - Standalone

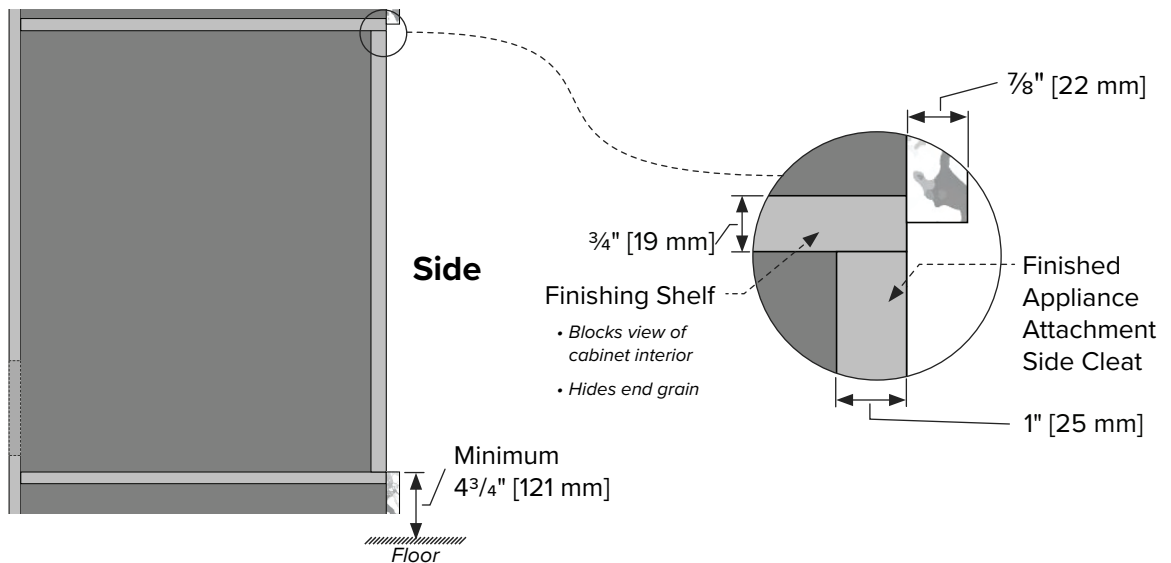
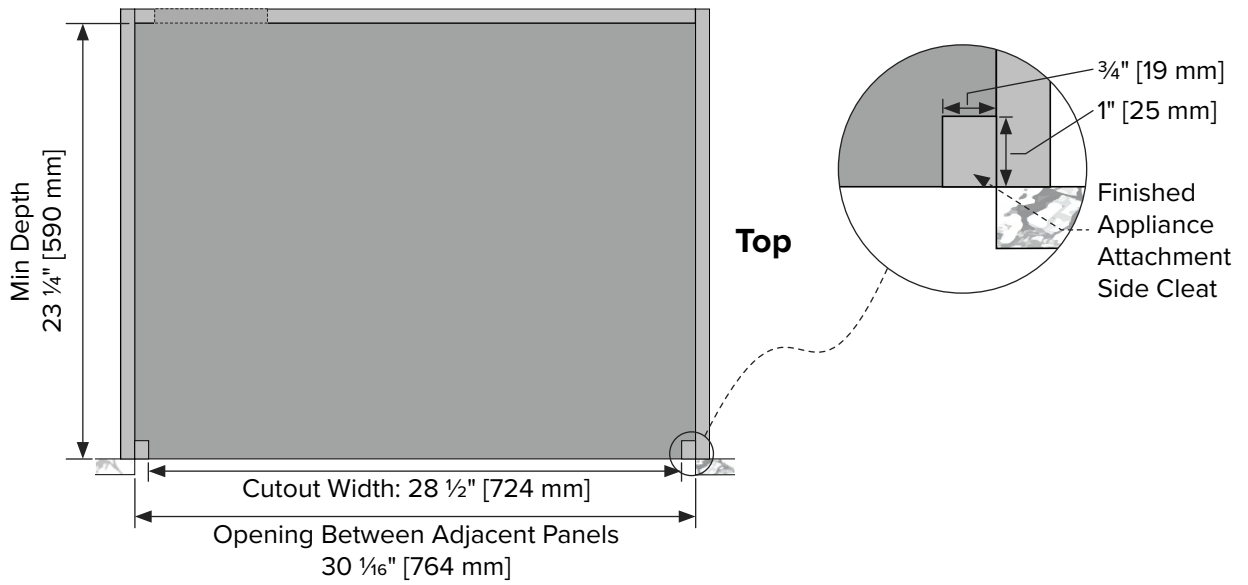
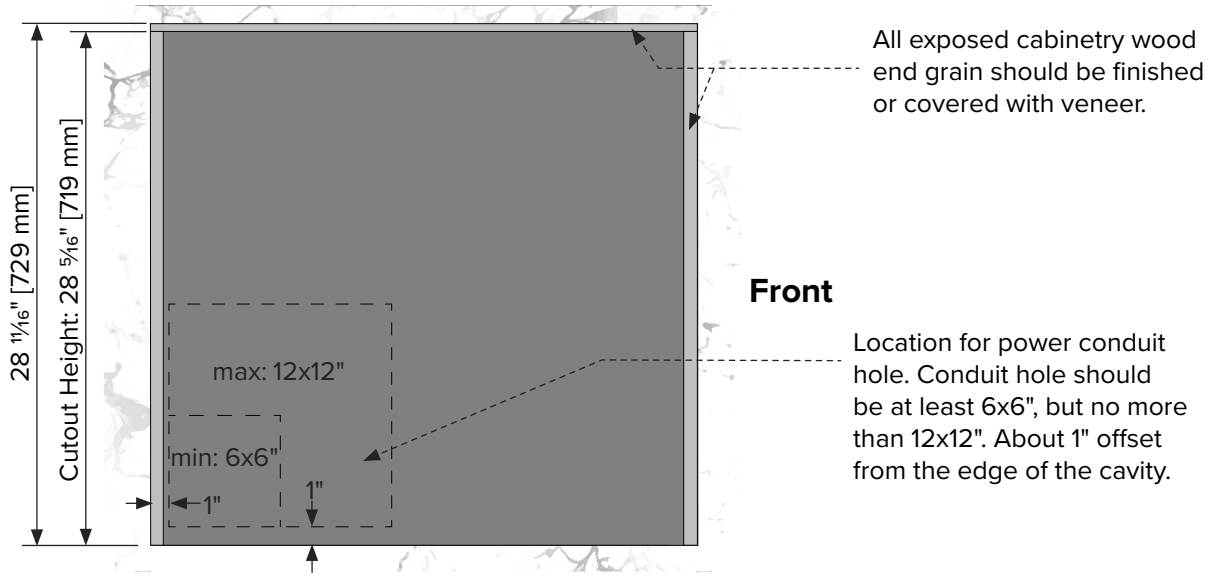
## Standard Install Cabinetry Dimensions



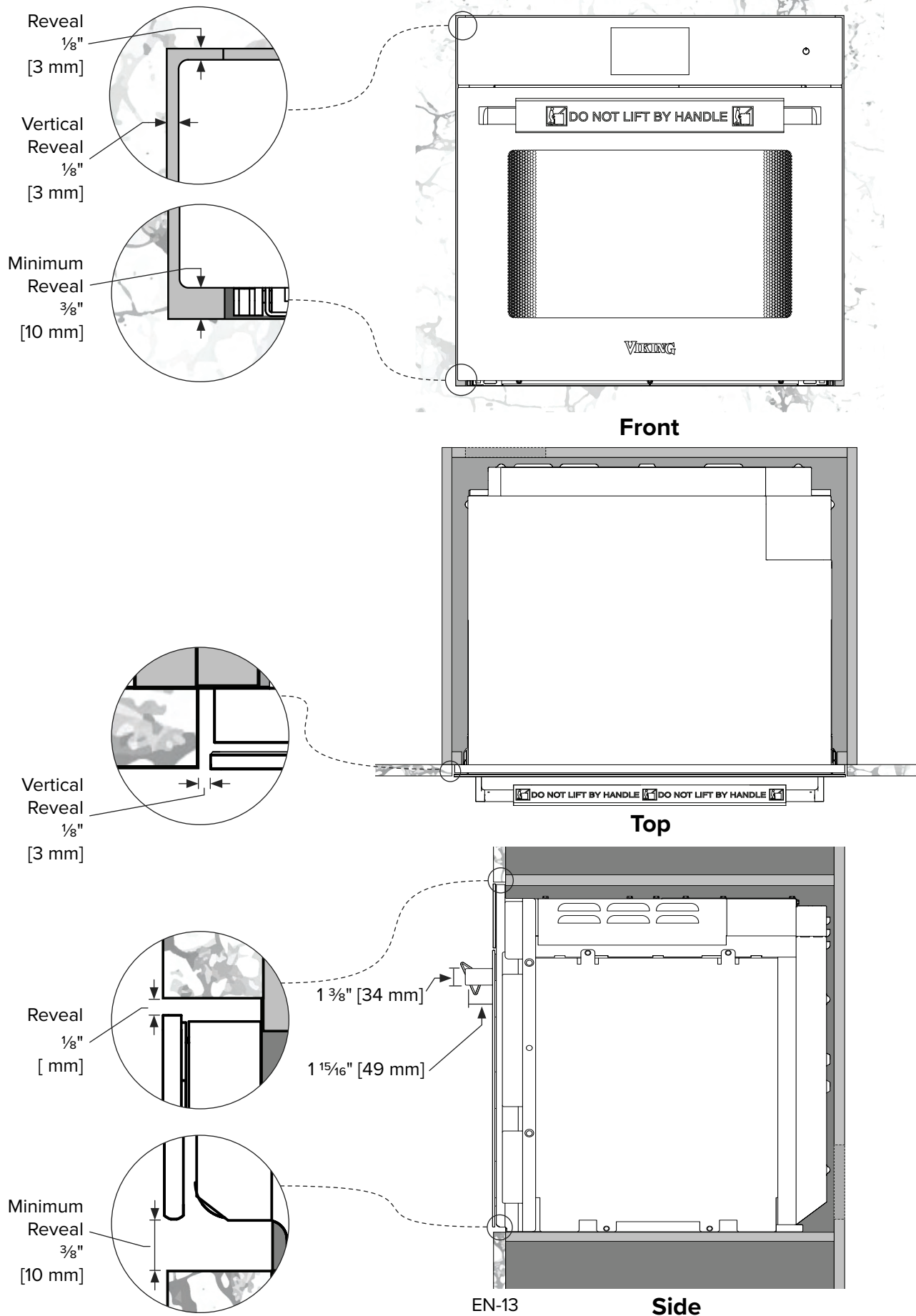
## Standard Install Product Reveals



## Flush Mounted Cabinetry Dimensions

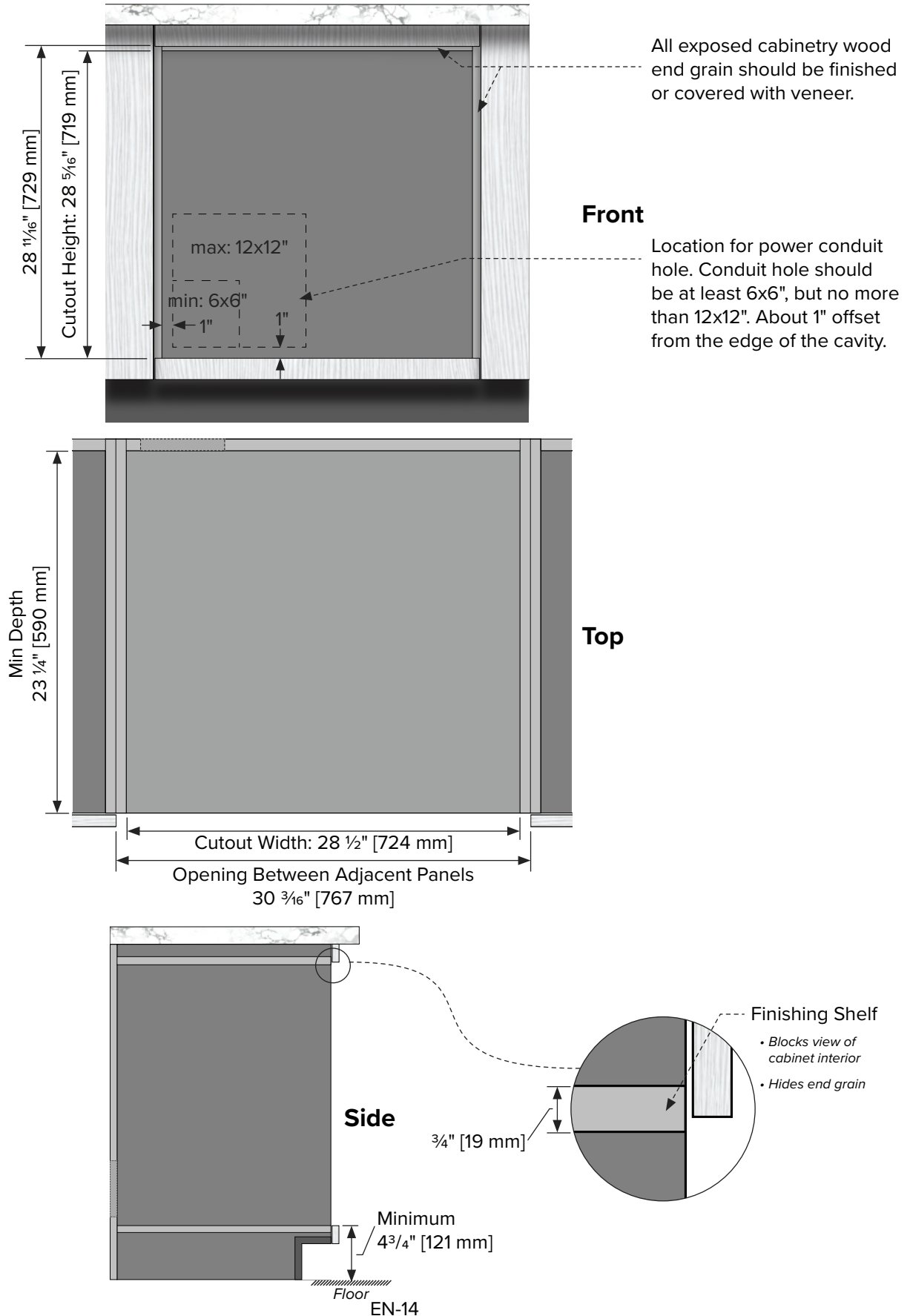


## Flush Mounted Install Product Reveals

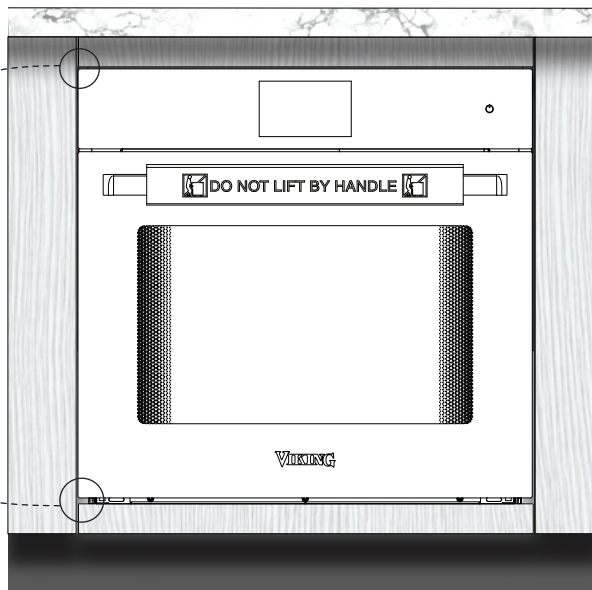
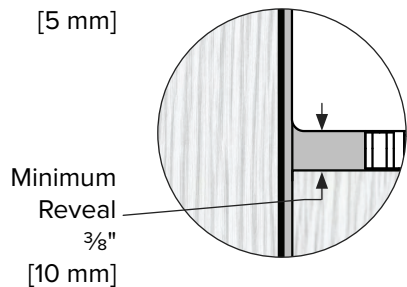
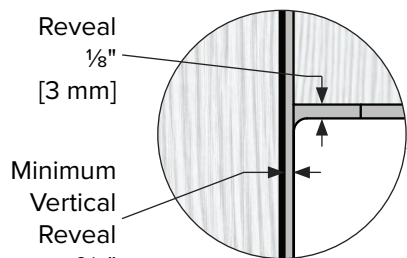


# Cabinetry Specifications - Undercounter

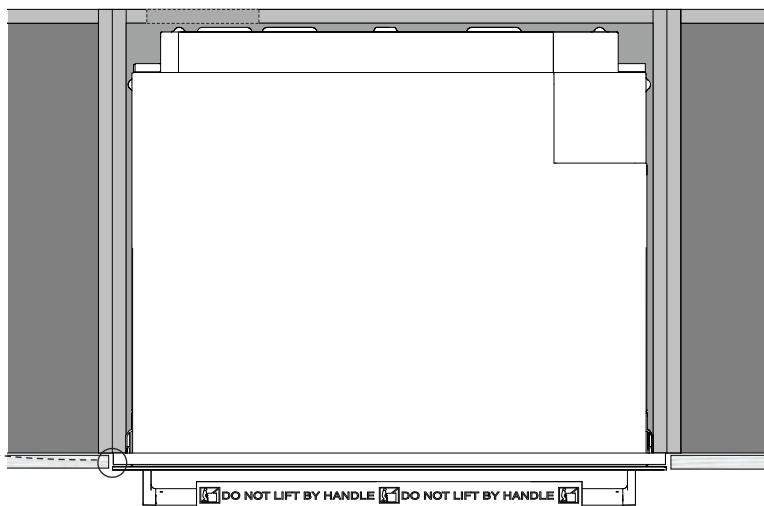
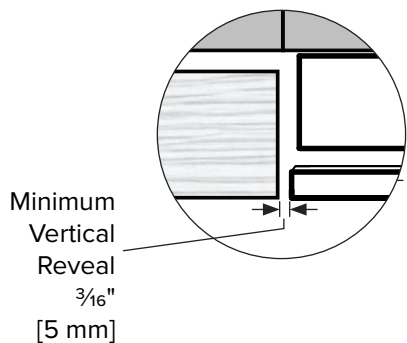
## Standard Install Cabinetry Dimensions



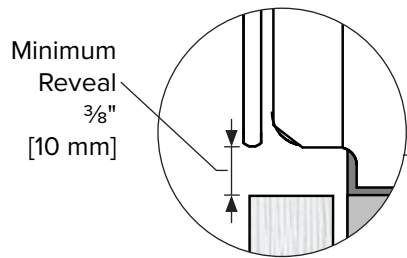
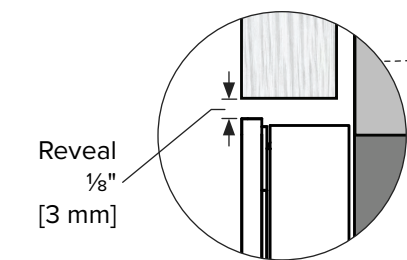
## Standard Install Product Reveals



**Front**

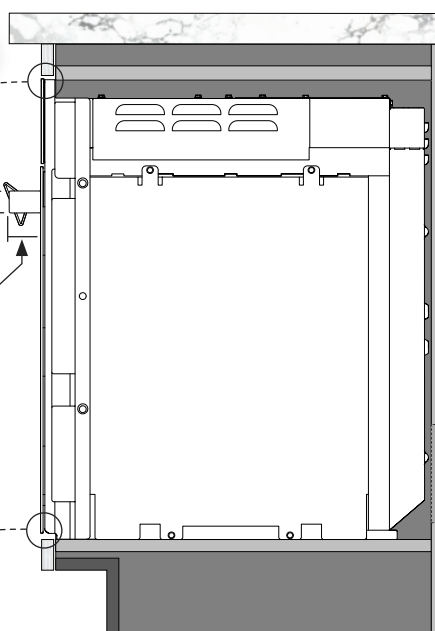


**Top**



1 3/8"  
[34 mm]

1 15/16"  
[49 mm]



EN-15

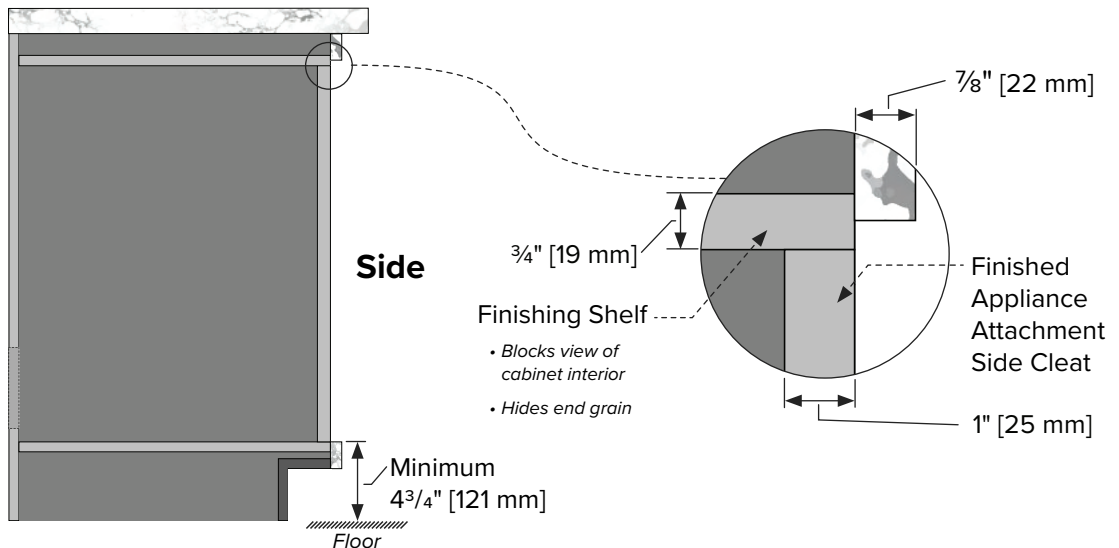
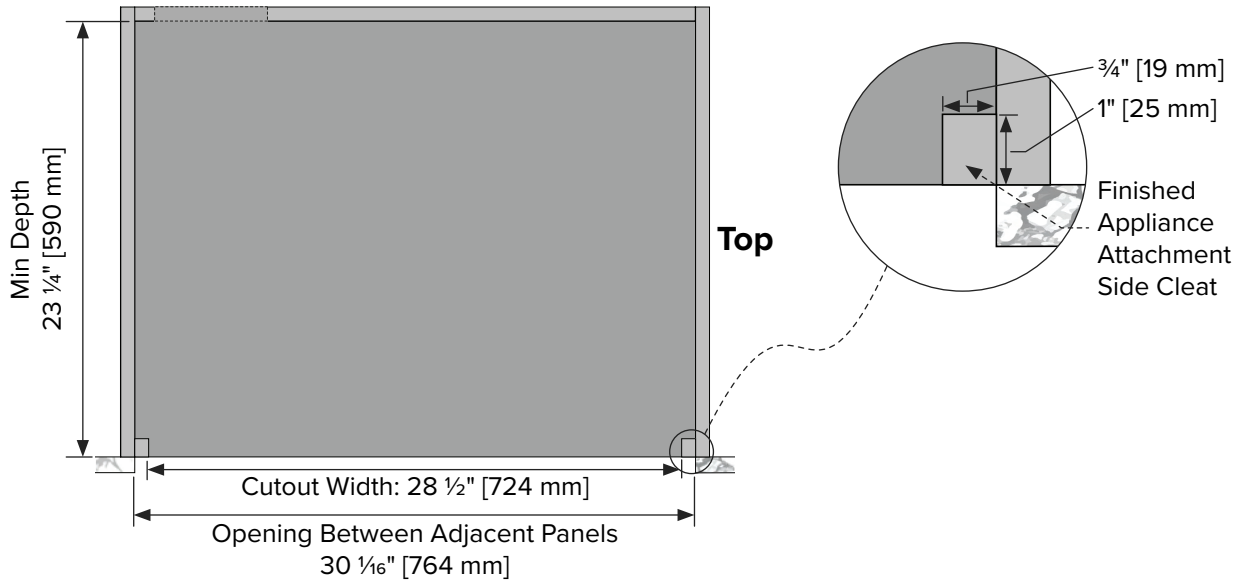
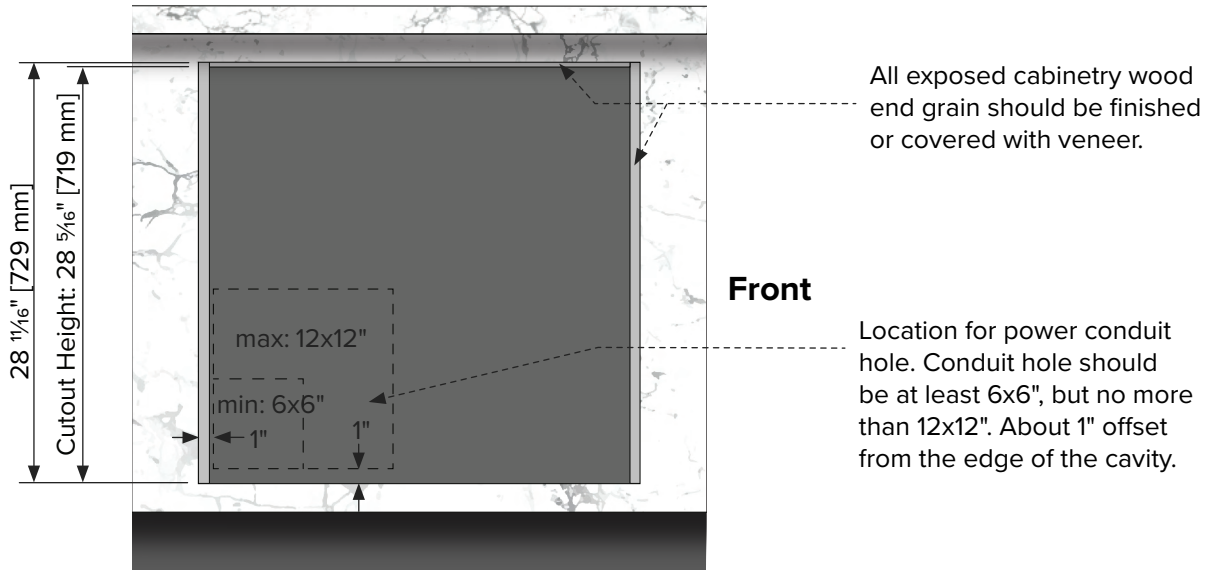
**Side**

Induction Cooktop  
install over RVL Single  
Wall Oven (MVSOE6301)

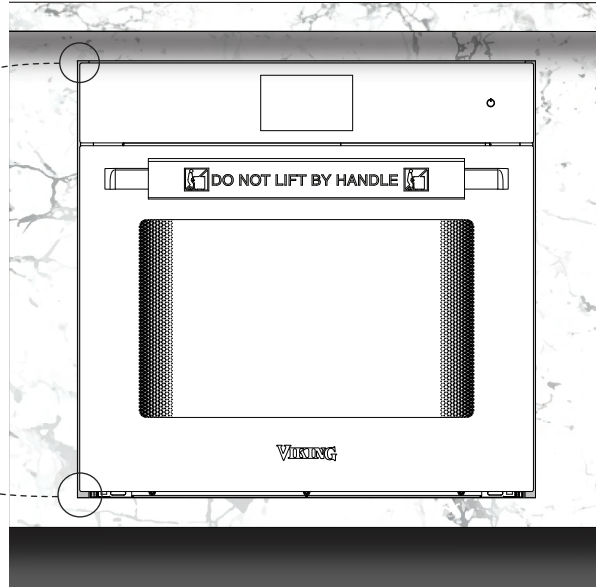
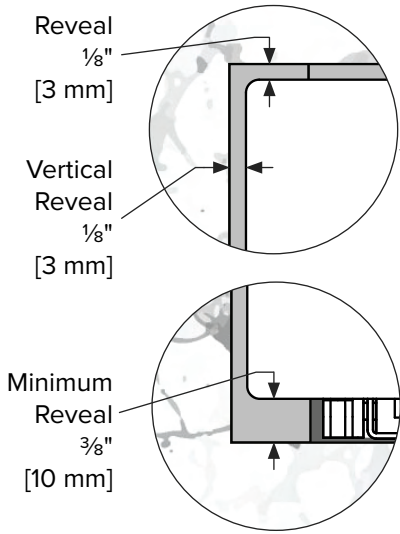
*Install only with the  
following cooktops.*

- MVIC630 | 3 1/2"
- MVIC636 | [89 mm]
- RVIC3304B | 3 1/4"
- RVIC3306B | [83 mm]
- RVIC3366B | [83 mm]

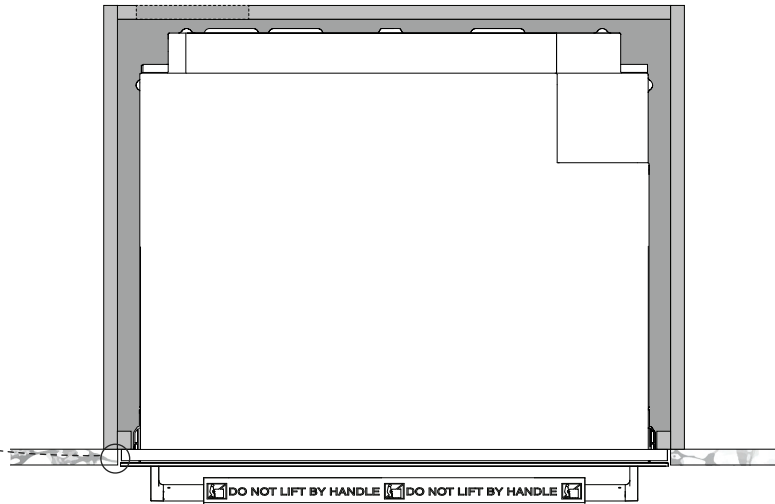
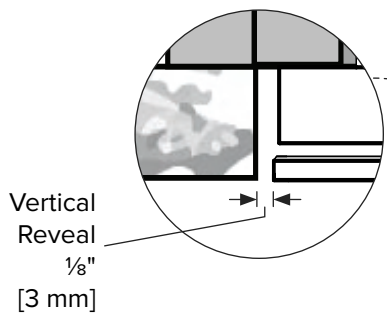
# Flush Mounted Cabinetry Dimensions



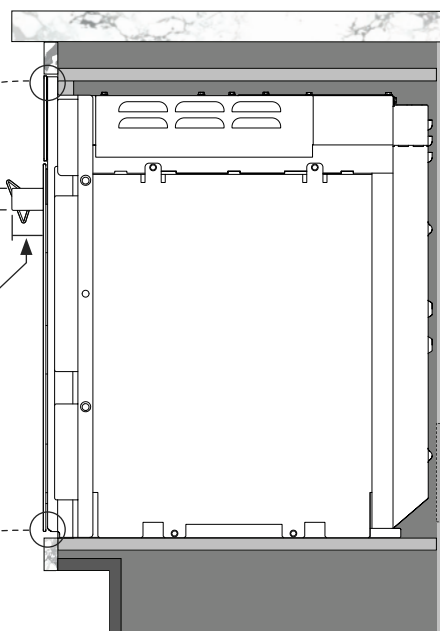
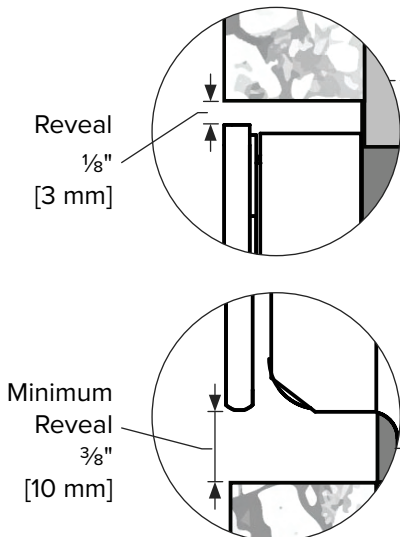
## Flush Mounted Install Product Reveals



**Front**



**Top**



EN-17

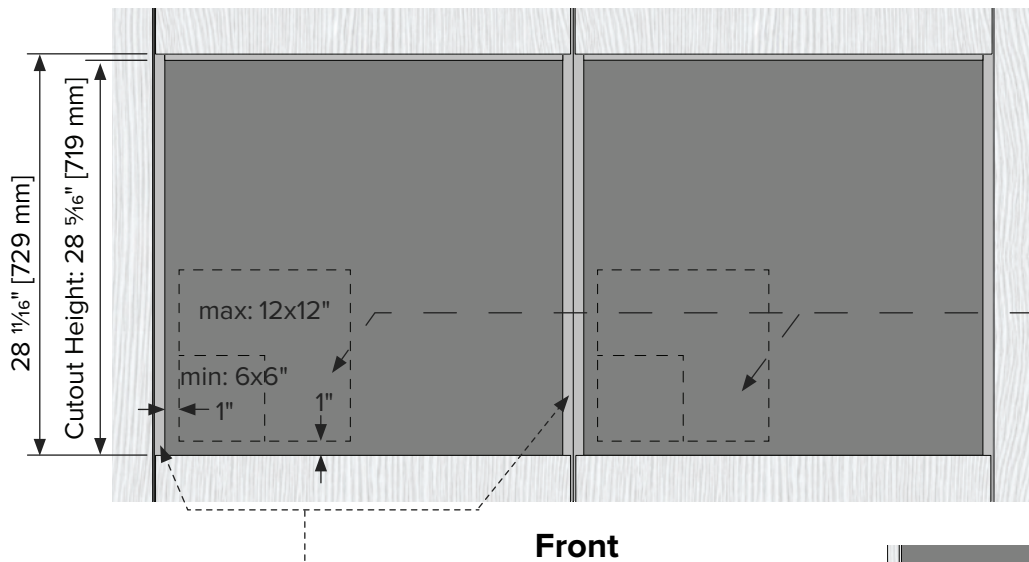
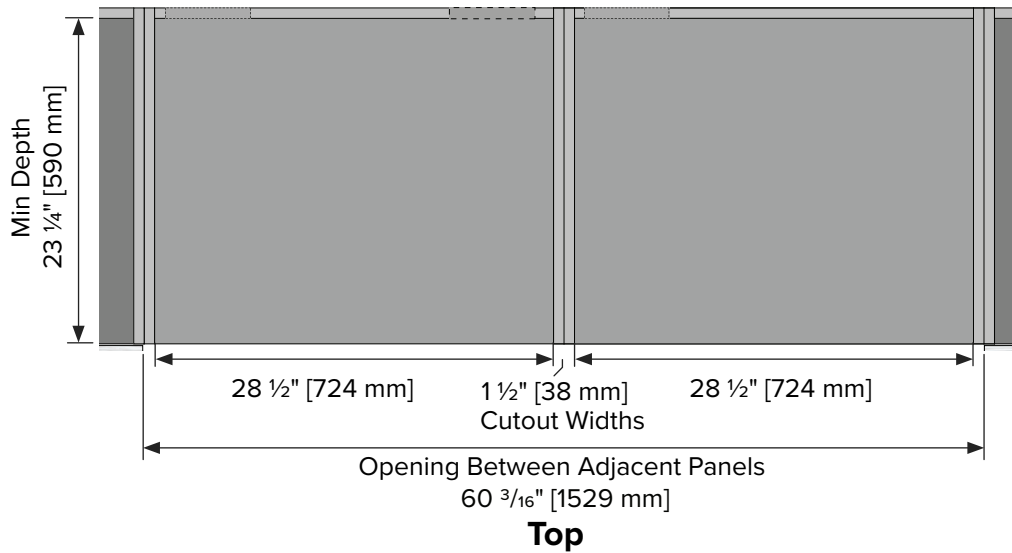
**Side**

Induction Cooktop  
install over RVL Single  
Wall Oven (MVSOE6301)  
*Install only with the  
following cooktops.*

- MVIC630 | 3 1/2" [89 mm]
- MVIC636 | 3 1/2" [89 mm]
- RVIC3304B | 3 1/4" [83 mm]
- RVIC3306B | 3 1/4" [83 mm]
- RVIC3366B | 3 1/4" [83 mm]

# Side by Side Cabinetry Specifications - 2 Single Wall Ovens

## Standard Install Cabinetry Dimensions

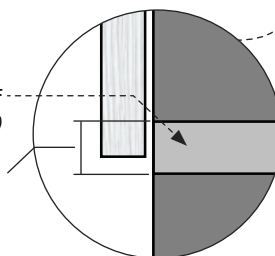


Location for power conduit hole. Conduit hole should be at least 6x6", but no more than 12x12". About 1" offset from the edge of the cavity.

All exposed cabinetry wood end grain should be finished or finished with veneer.

Finishing Shelf  
(Blocks view of cabinet interior)

3/4" [19 mm]



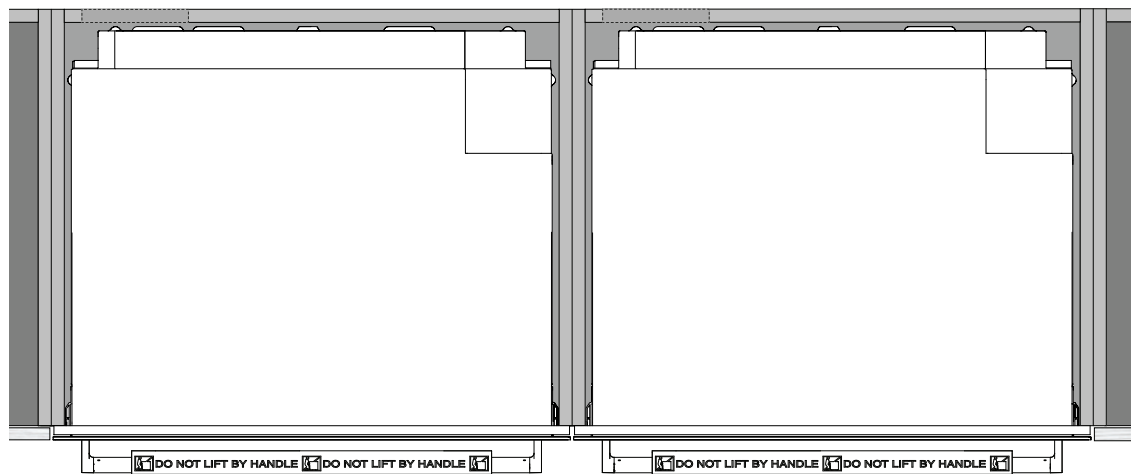
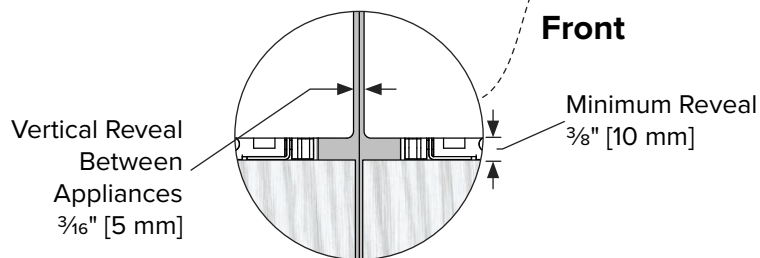
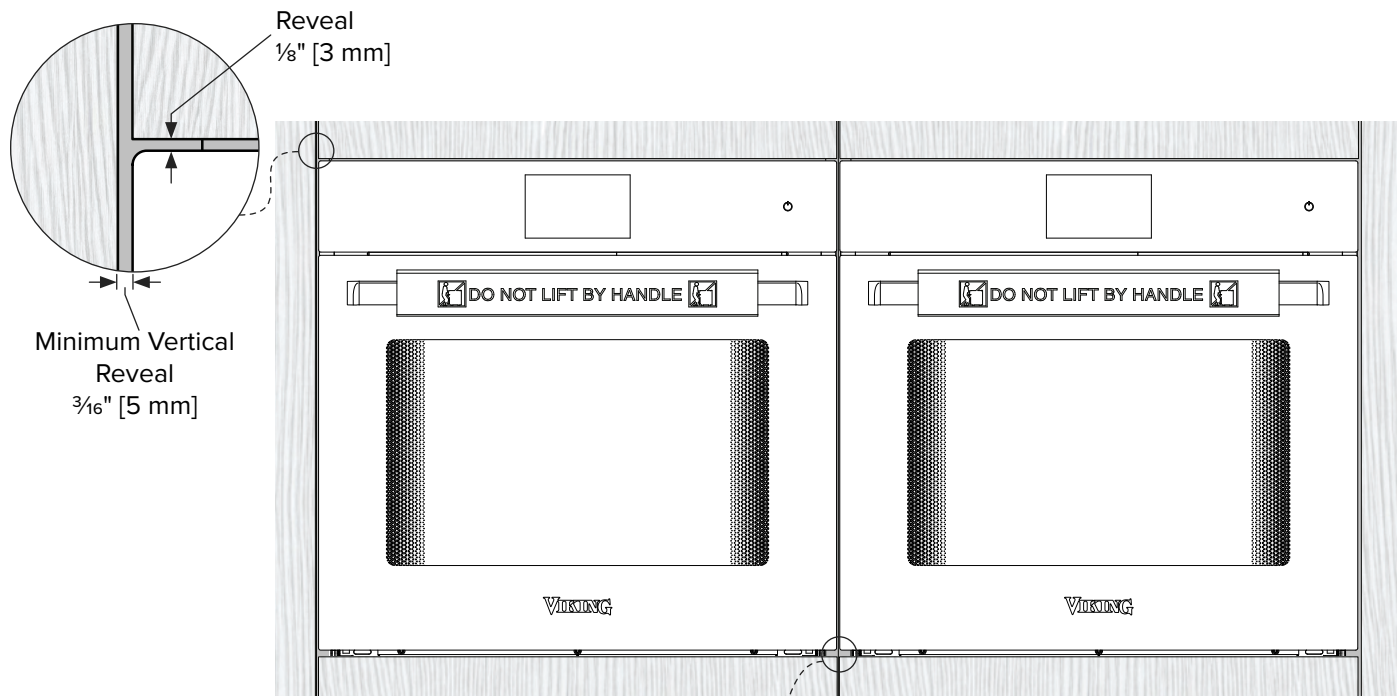
Minimum  
4 3/4" [121 mm]

Floor

Shelving:  
3/4" [19 mm]

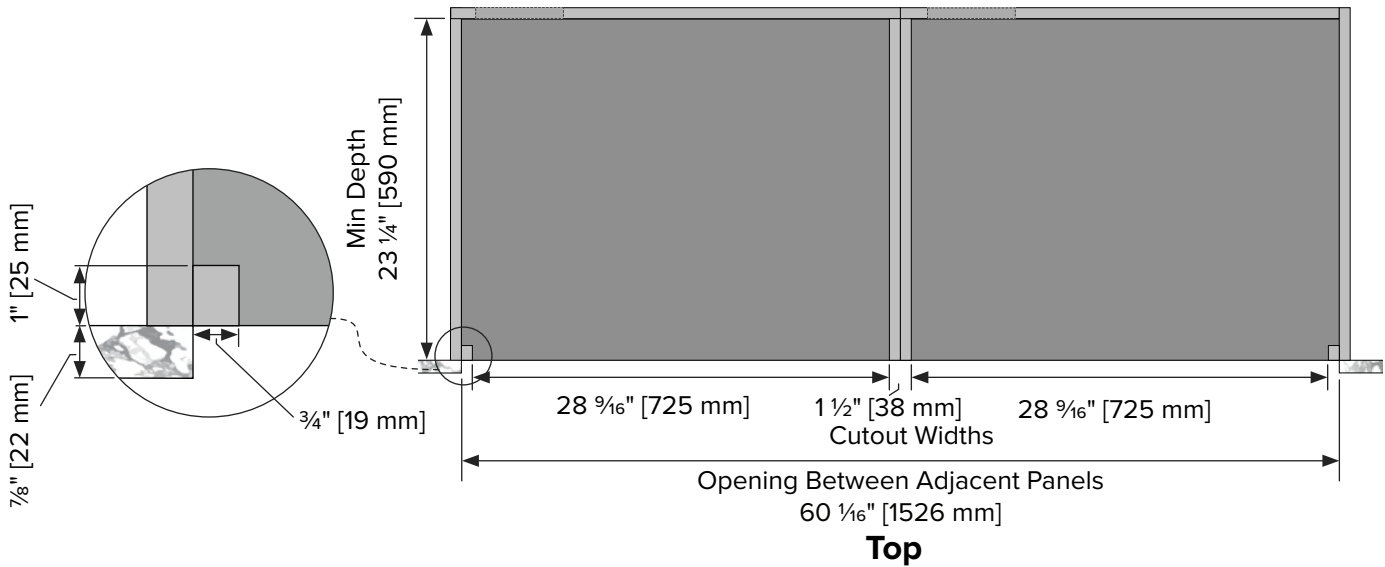
**Side**

# Standard Install Product Reveals

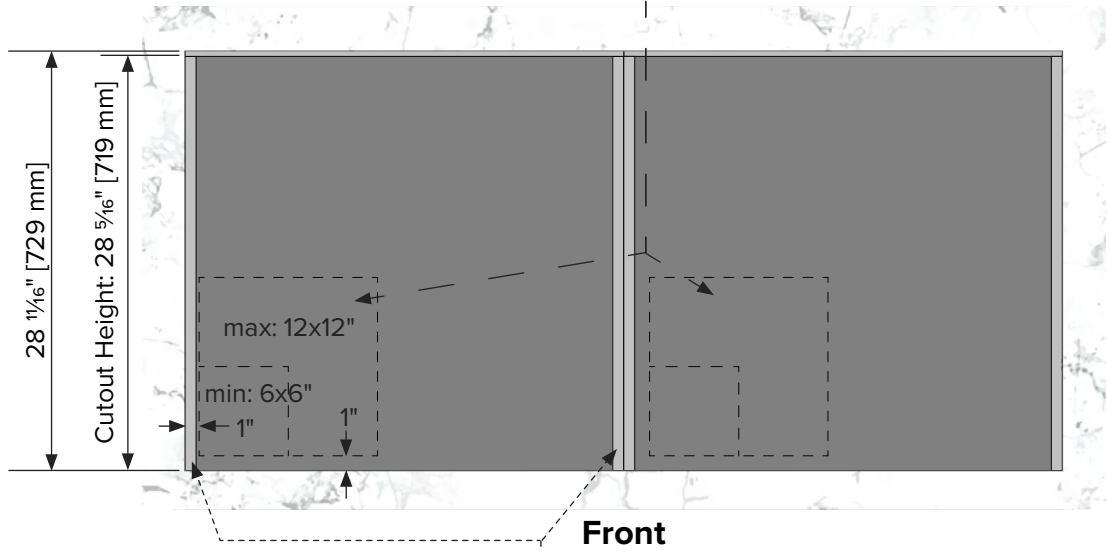


Top

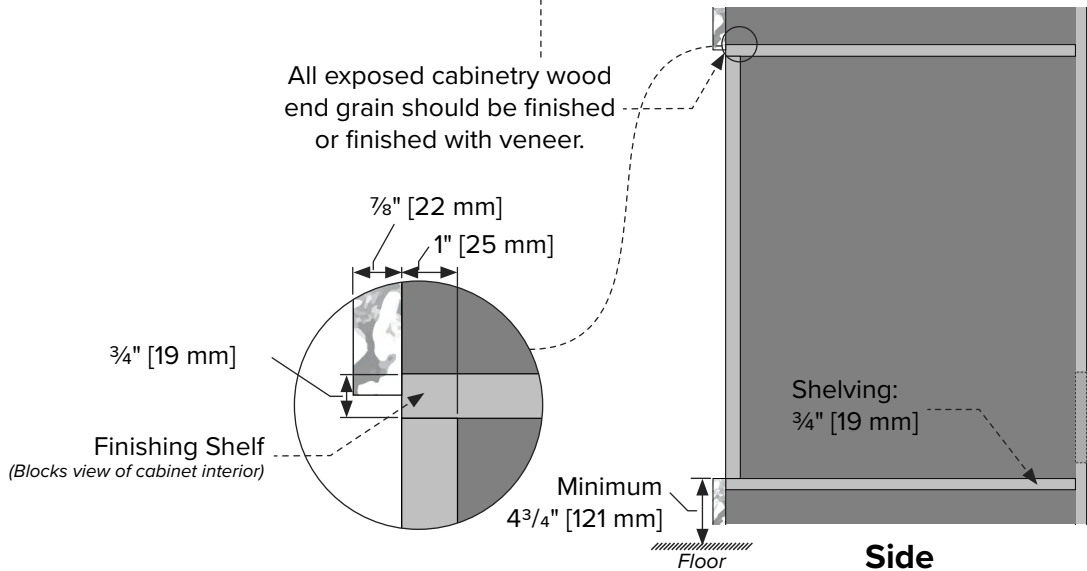
## Flush Mounted Cabinetry Dimensions



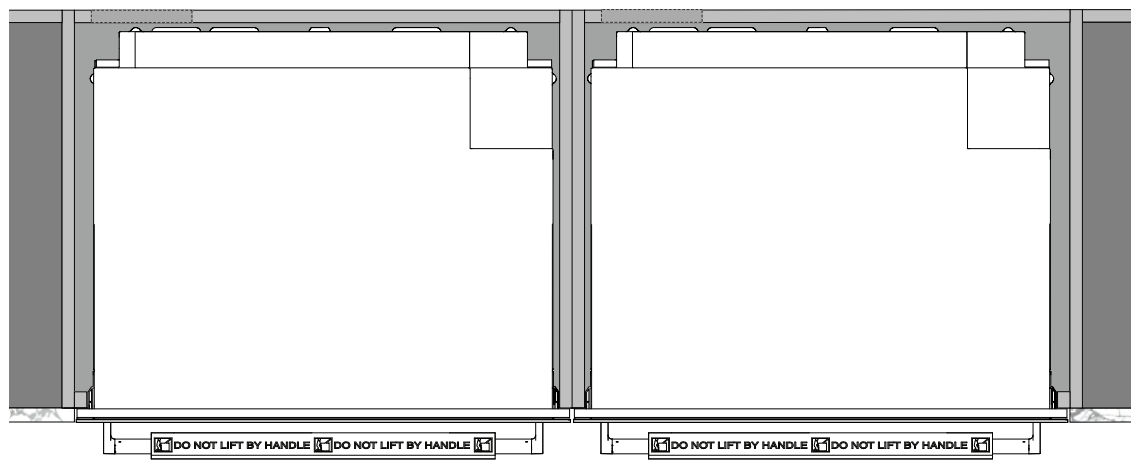
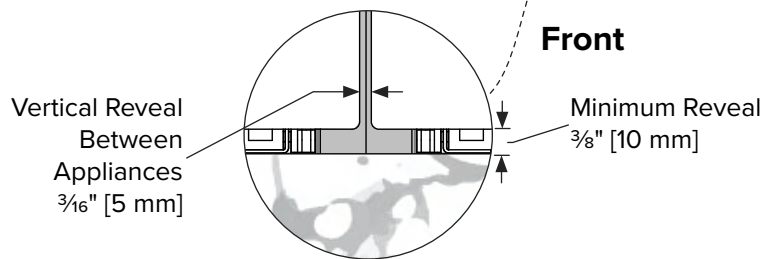
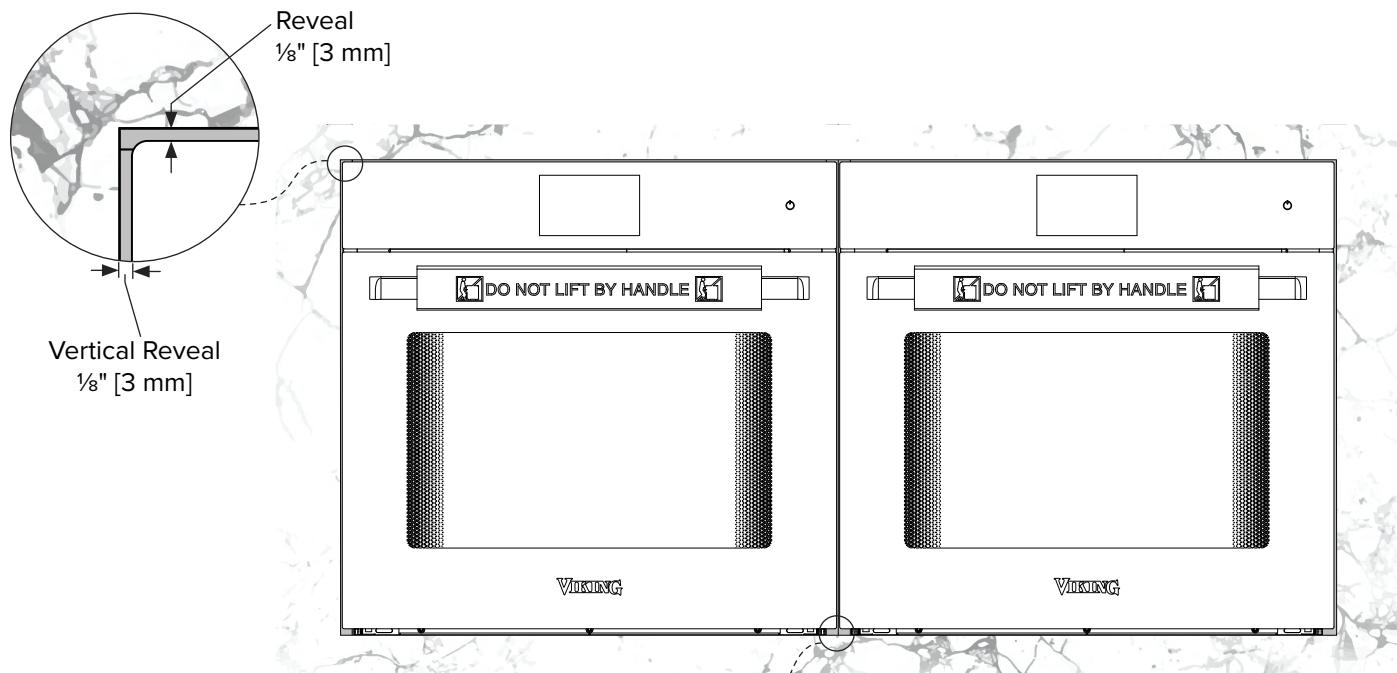
Location for power conduit hole. Conduit hole should be at least 6x6", but no more than 12x12". About 1" offset from the edge of the cavity.



All exposed cabinetry wood end grain should be finished or finished with veneer.



# Flush Mounted Install Product Reveals

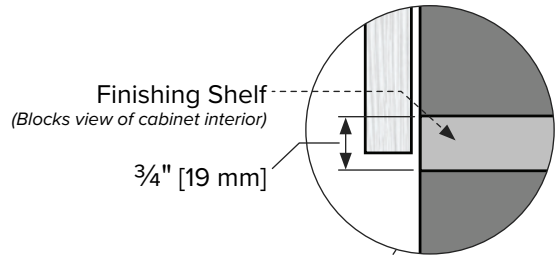
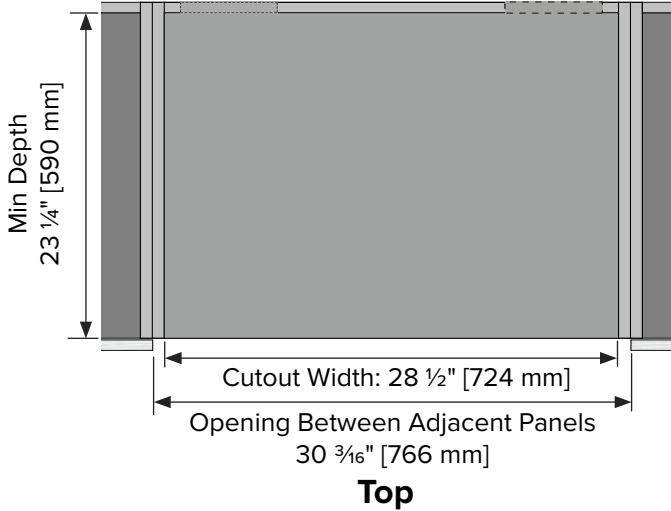


Top

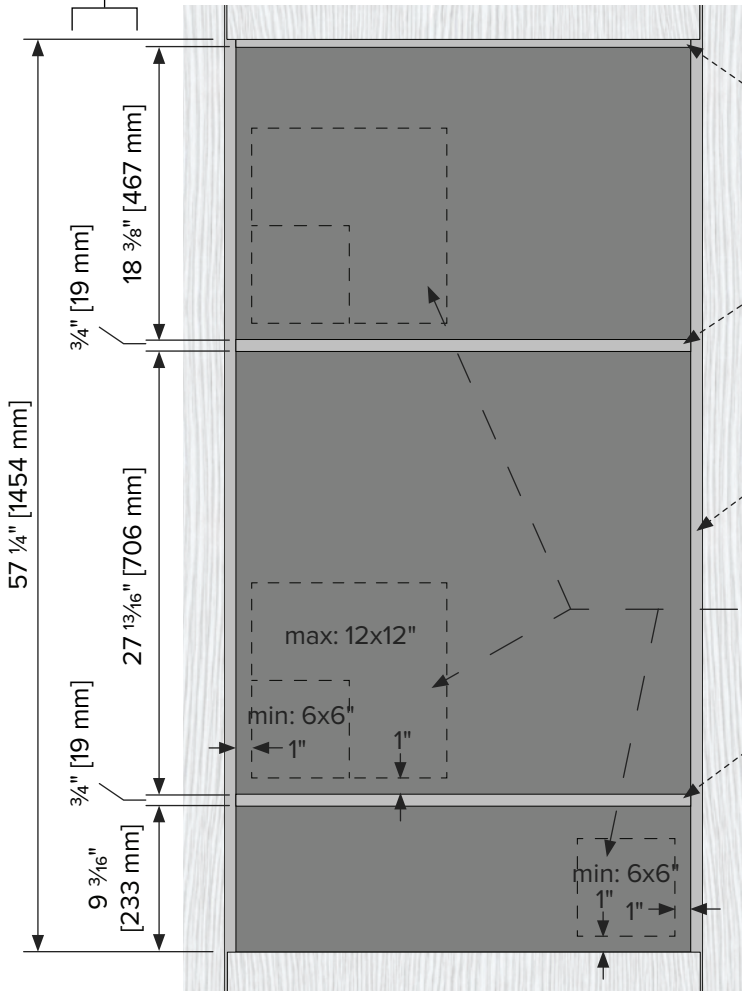
# 3-Stack Cabinetry Specifications - Single Wall Oven, Steam Oven & Warming Drawer

(MVSOE6301 & MVSOC6301 & MVWDE6301)

## Standard Install Cabinetry Dimensions

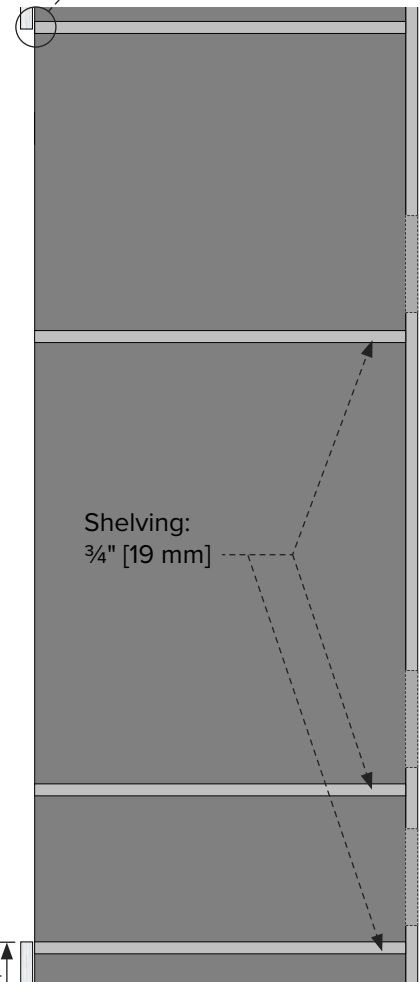


Cutout Heights



All exposed cabinetry wood end grain should be finished or finished with veneer.

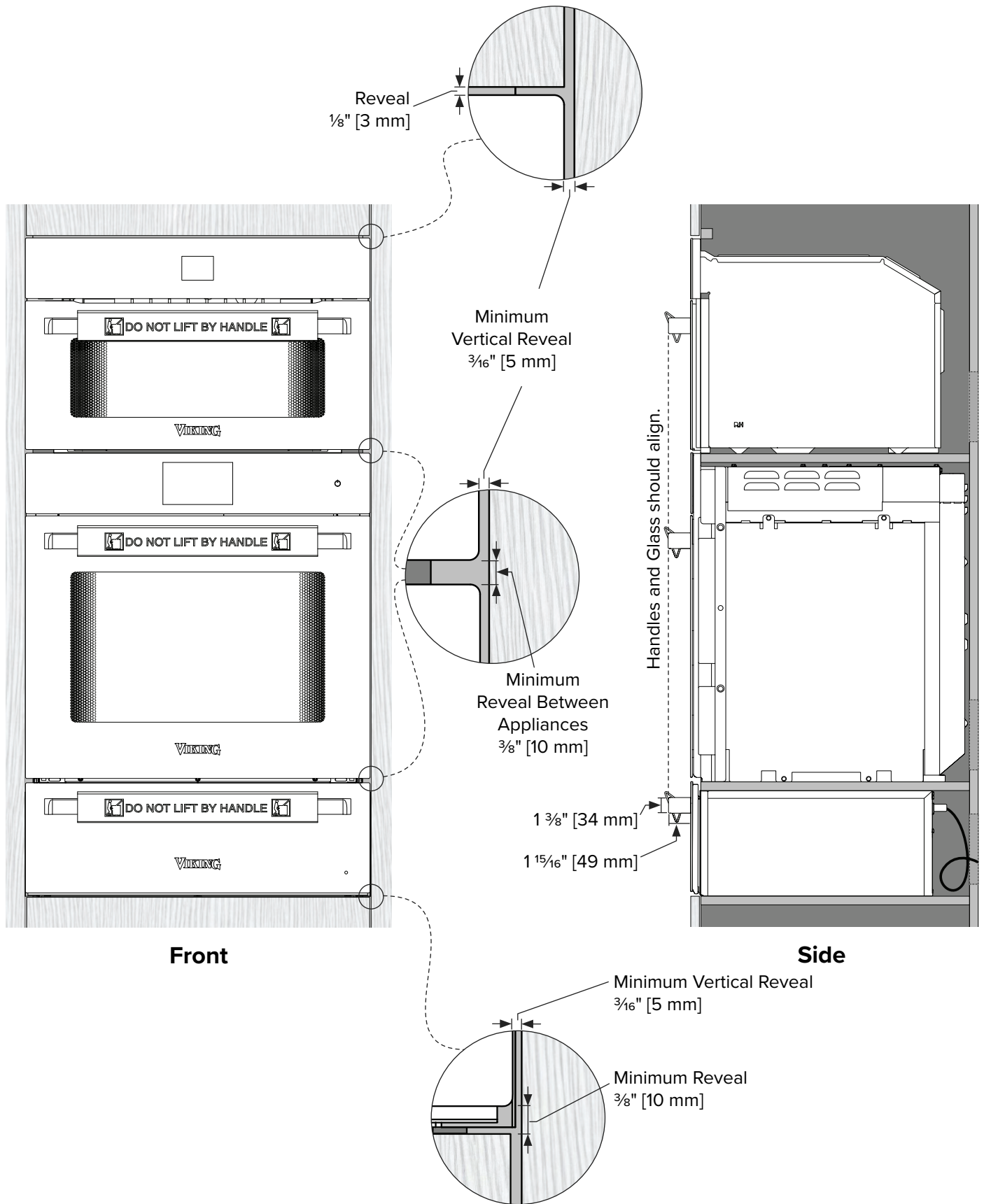
Location for power conduit hole. Conduit hole should be at least 6x6", but no more than 12x12". About 1" offset from the edge of the cavity.



**Front**

**Side**

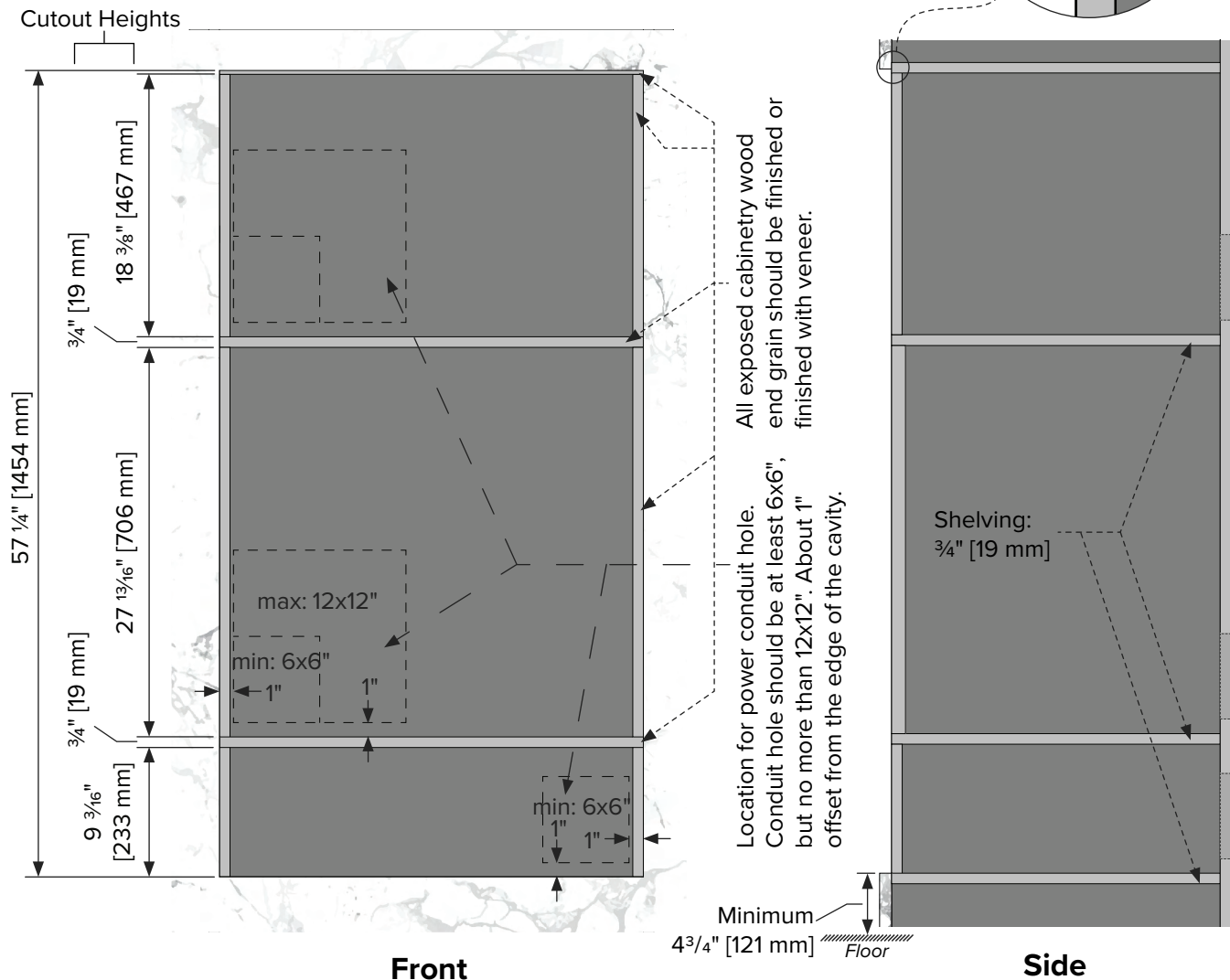
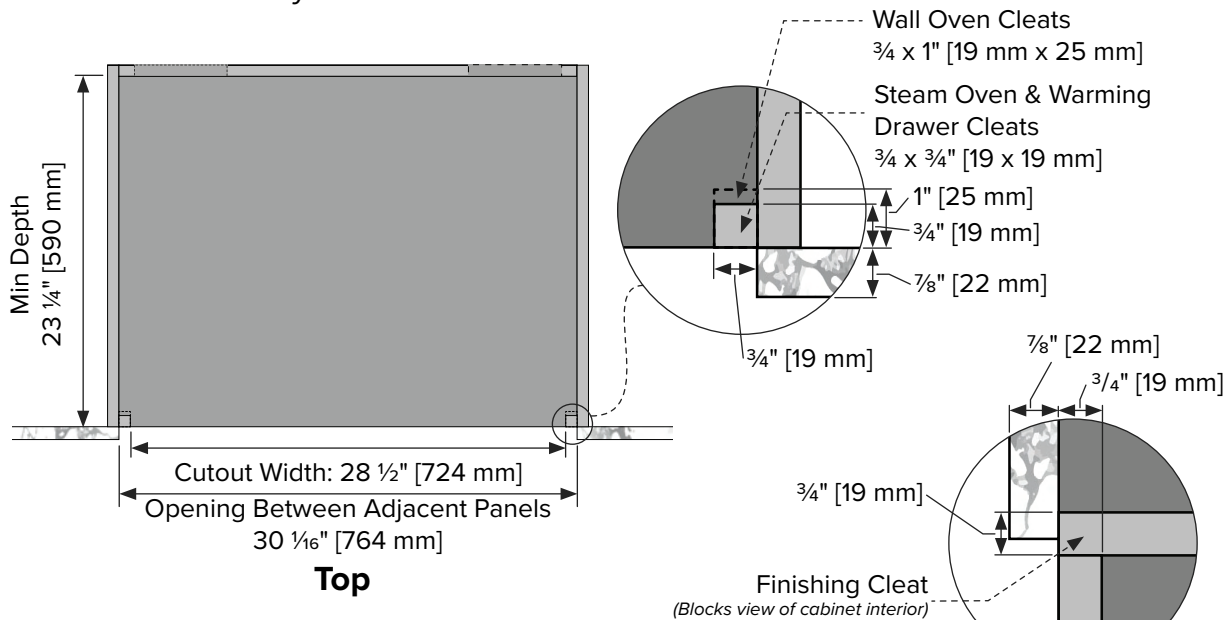
# Standard Install Product Reveals



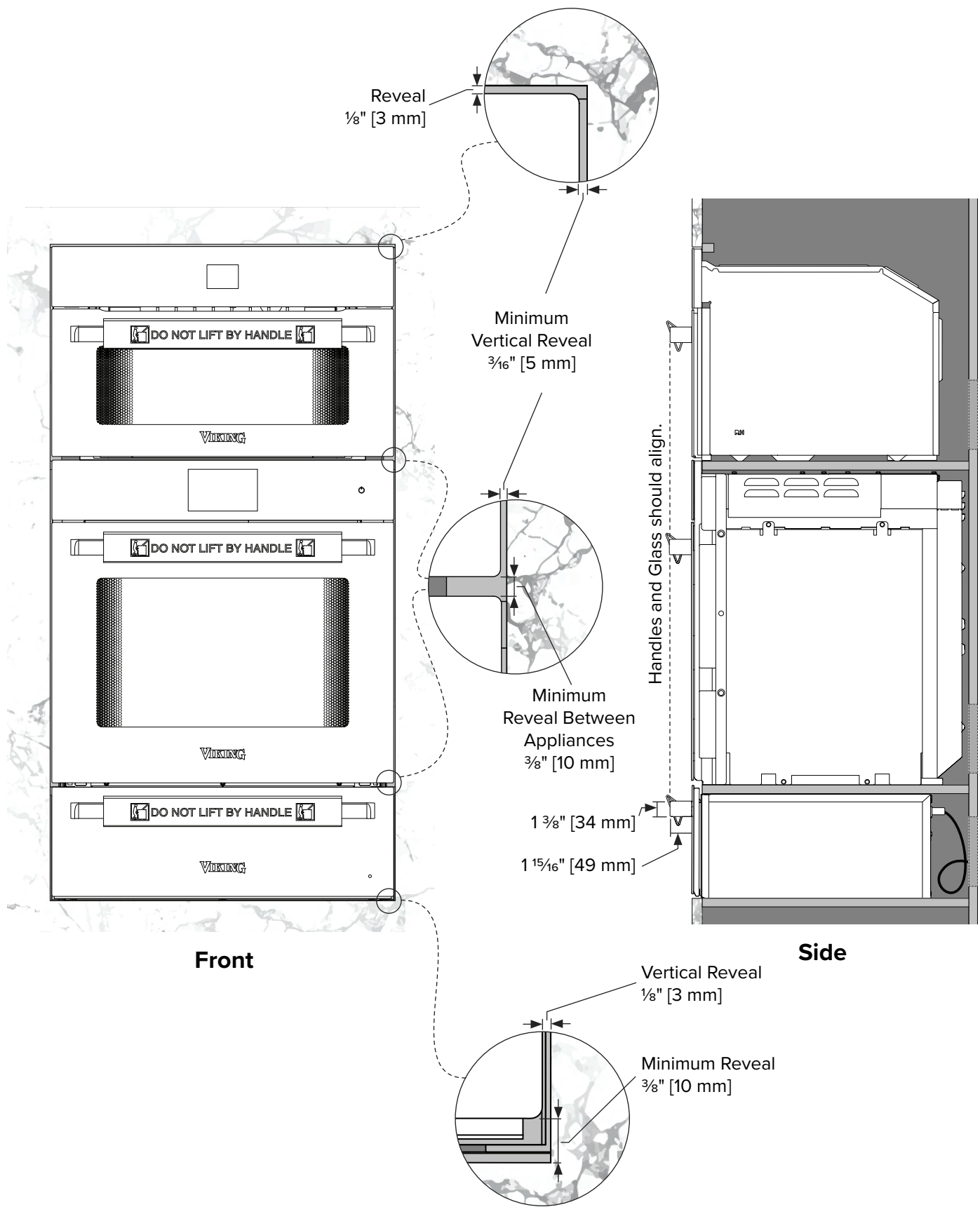
**Front**

**Side**

# Flush Mounted Cabinetry Dimensions



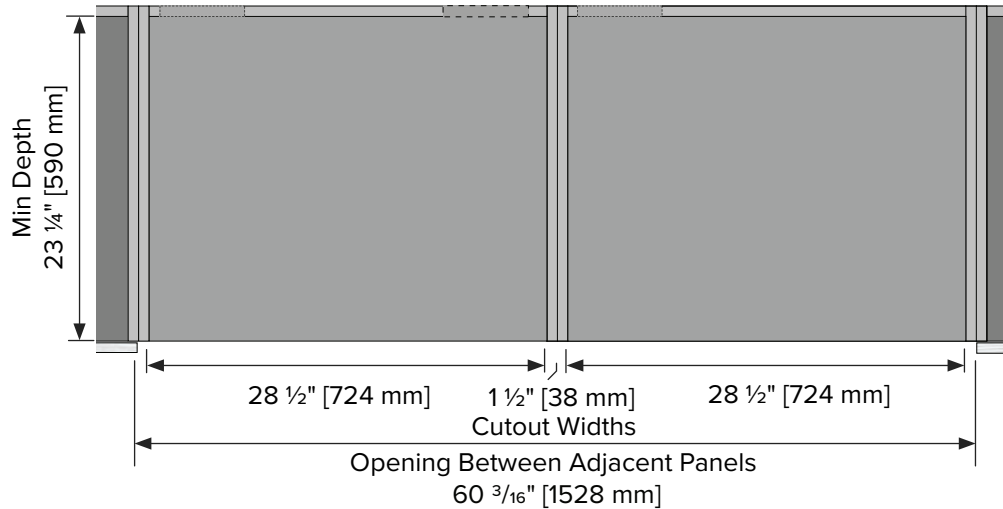
# Flush Mounted Install Product Reveals



# Side by Side Cabinetry Specifications - Single Wall Oven, Steam Oven & Warming Drawer

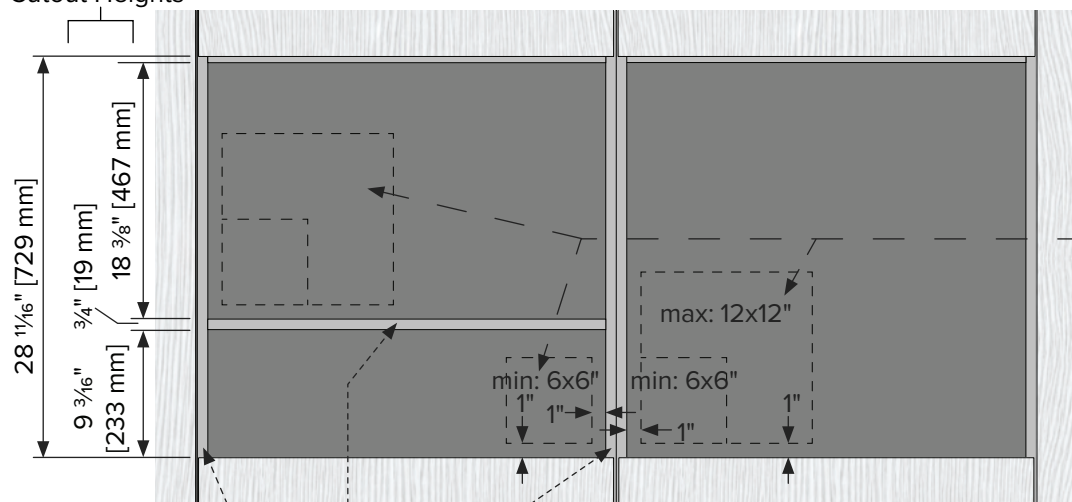
(MVSOE6301 & MVSOC6301 & MVWDE6301)

## Standard Install Cabinetry Dimensions



**Top**

Cutout Heights



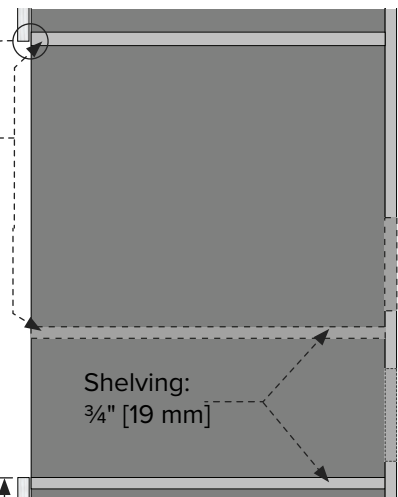
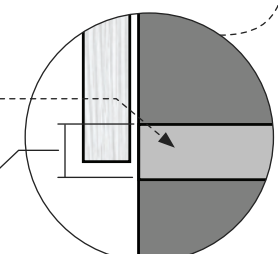
Location for power conduit hole. Conduit hole should be at least 6x6", but no more than 12x12". About 1" offset from the edge of the cavity.

**Front**

All exposed cabinetry wood end grain should be finished or finished with veneer.

Finishing Shelf  
(Blocks view of cabinet interior)

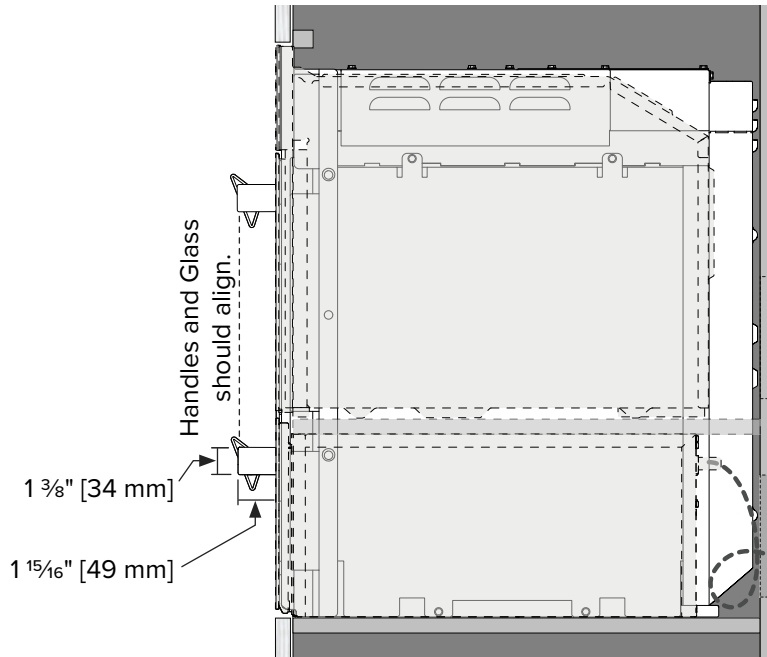
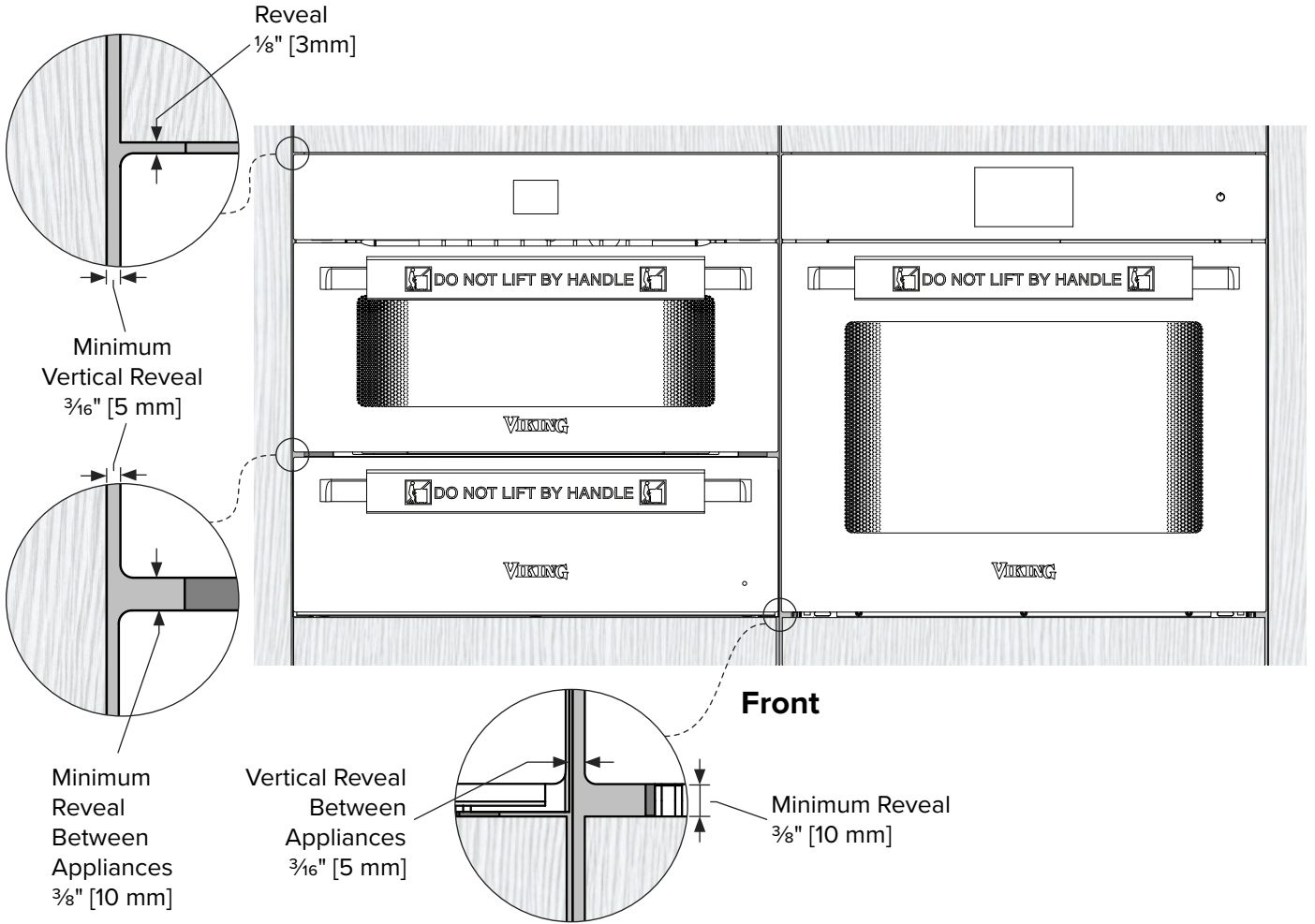
3/4" [19 mm]



**Side**

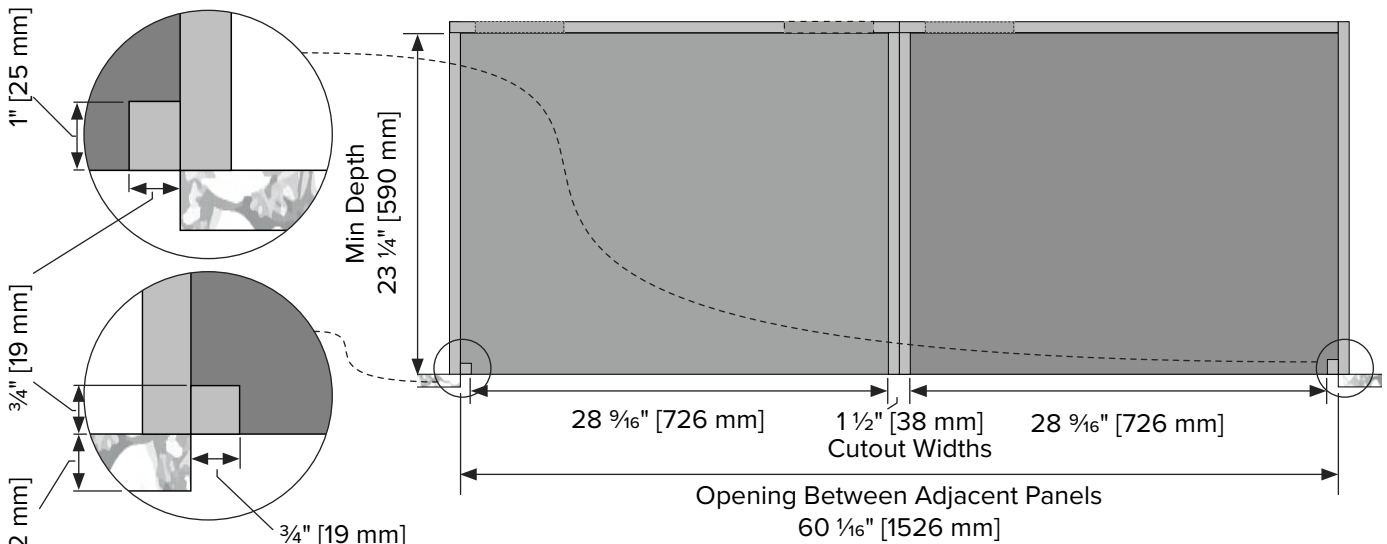
Minimum  
4 3/4" [121 mm]  
Floor

# Standard Install Product Reveals

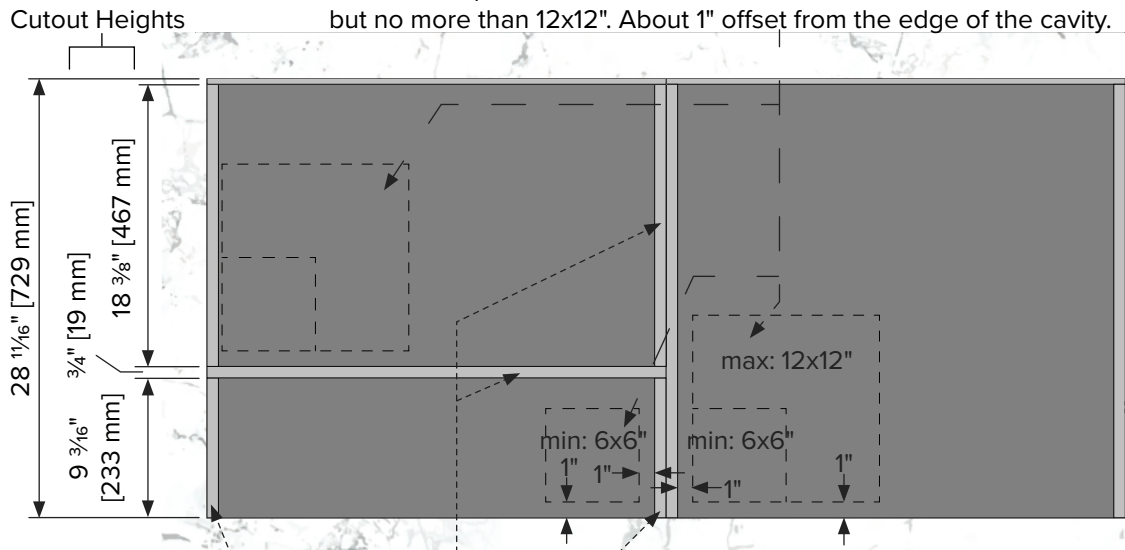


Side

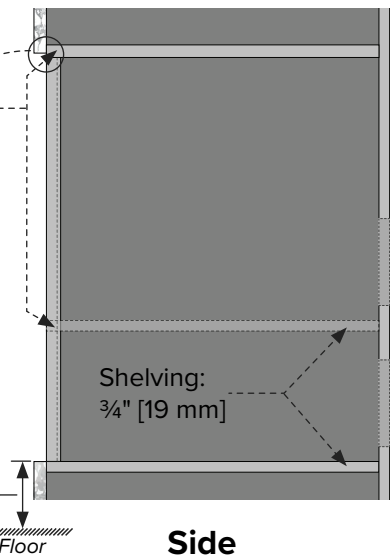
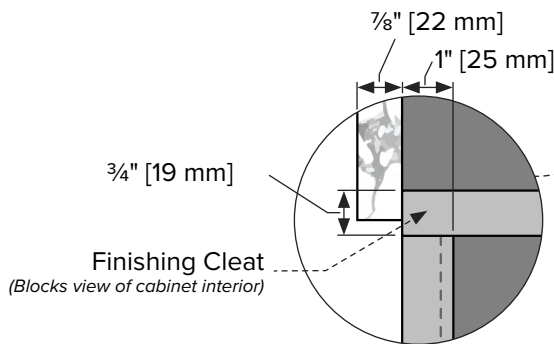
# Flush Mounted Cabinetry Dimensions



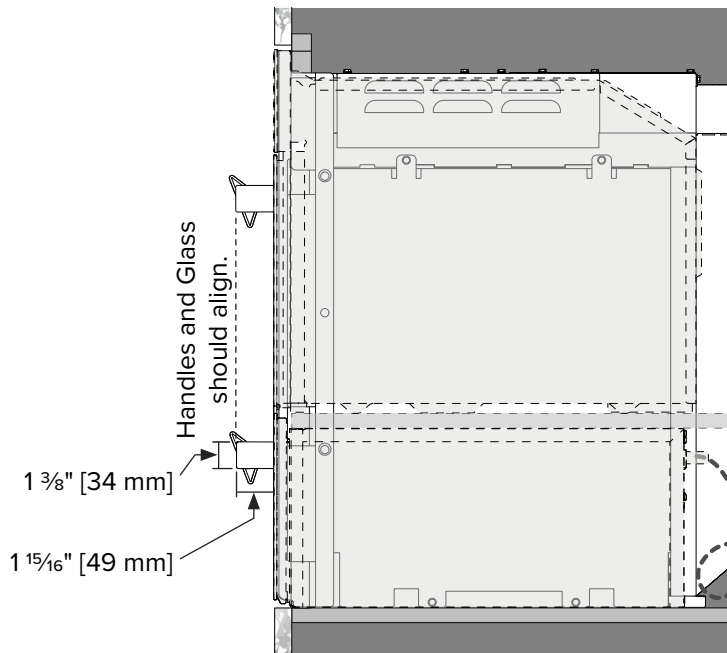
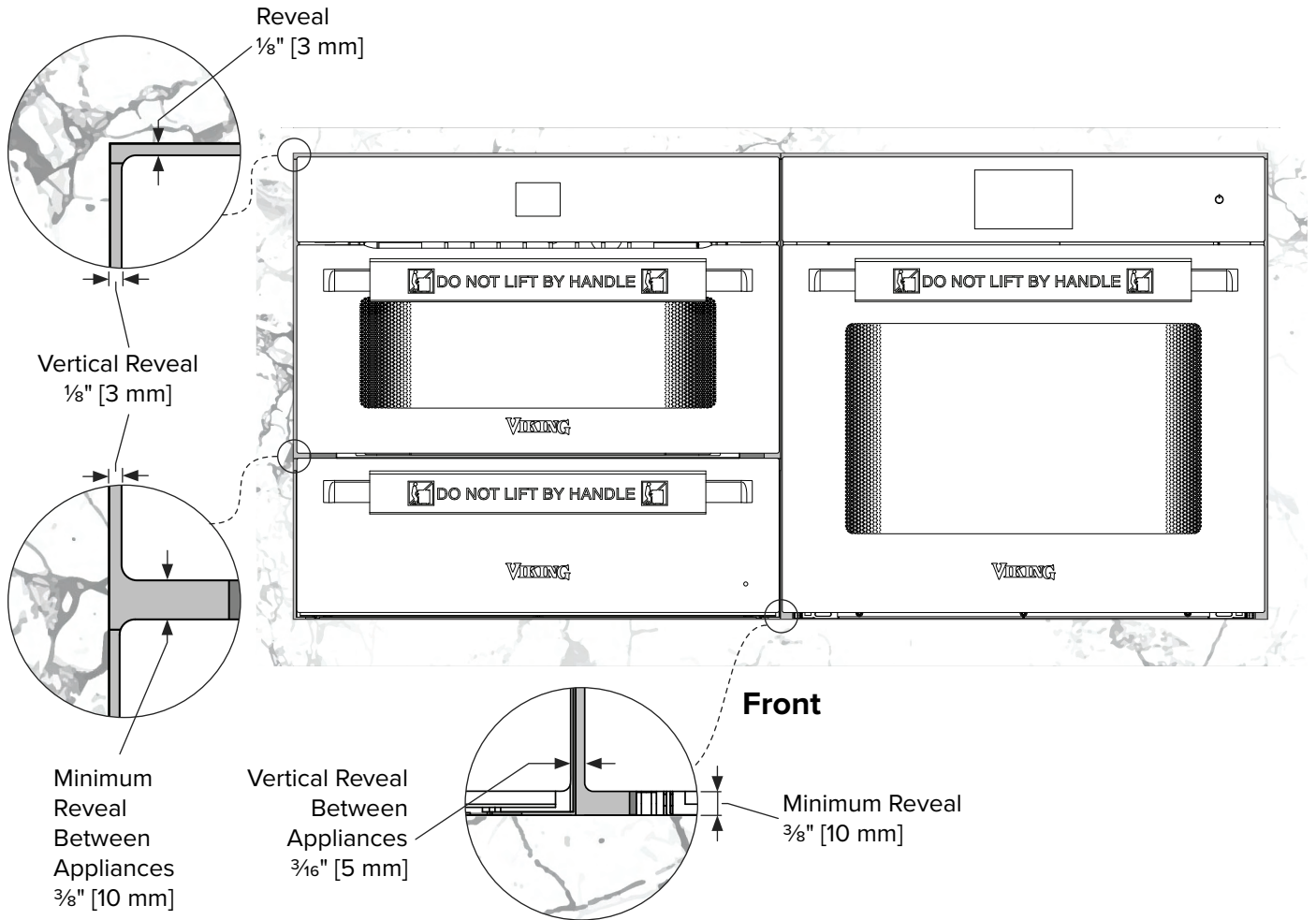
Location for power conduit hole. Conduit hole should be at least 6x6", but no more than 12x12". About 1" offset from the edge of the cavity.



All exposed cabinetry wood end grain should be finished or finished with veneer.

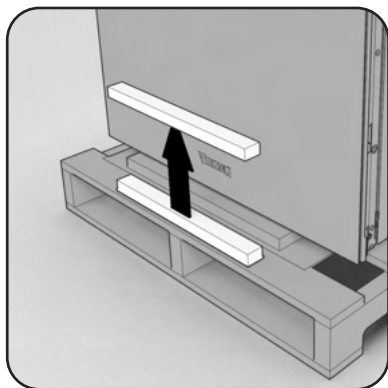


# Flush Mounted Install Product Reveals

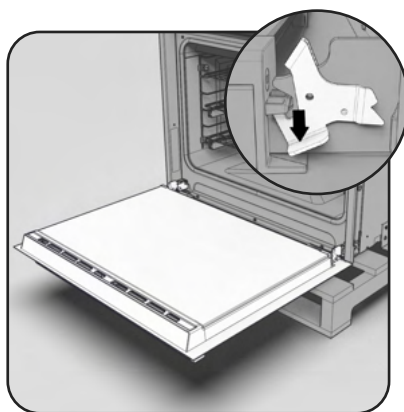


Side

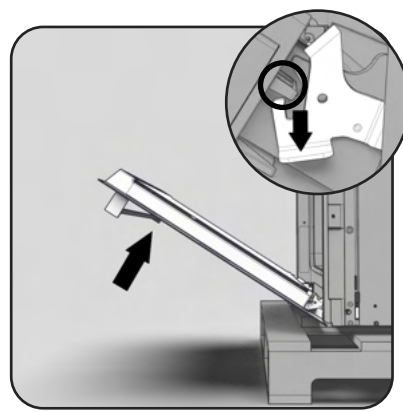
## Installation Steps



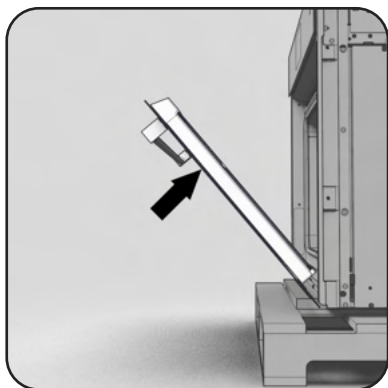
1. Remove wood brace on front of pallet.  
**Warning: Failure to remove wood brace may cause damage to the glass door.**



2. Open door completely and rotate door hinge mechanism as much as possible.



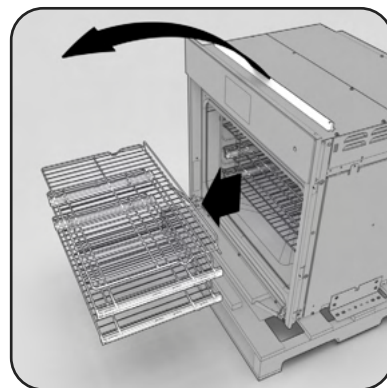
3. Raise the door about 20 – 30 degrees and rotate the hinge mechanism until you hear a click. This indicates the lock is fully unlocked and will hold the hinge when closed. Failure to do this will cause the hinge to continue to close while you are trying to remove the door.



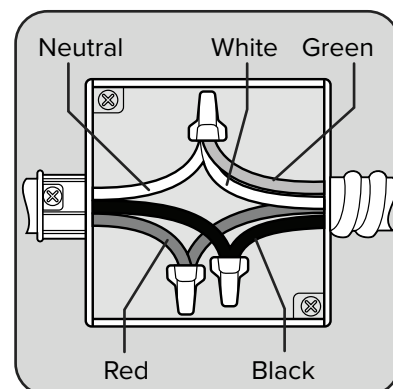
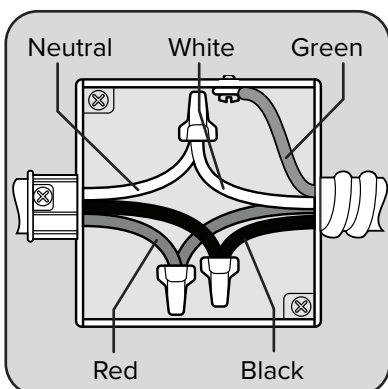
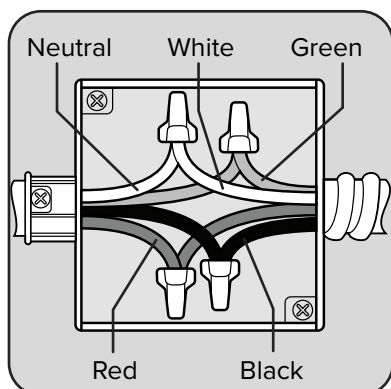
4. Continue to close the door gently until it is stopped by the hinge mechanism, releasing the tension on the door hinges. If the door hinges fail to stop, repeat step 3.  
**DO NOT TRY TO FORCE THE DOOR CLOSED**



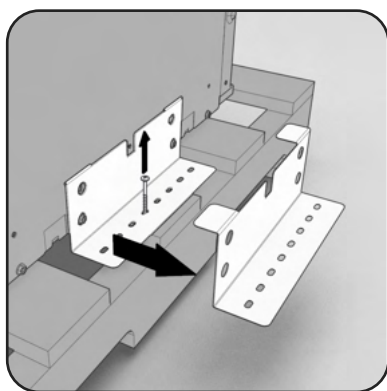
5. Firmly grasp both sides of the door near the bottom by the hinges. Evenly pull up on both sides. Lay removed door flat on a towel to prevent scratches. Repeat for all doors.  
- **Do not hold the door by the handle or use the handle for leverage. It may cause the glass to break.**  
- **Do not set the door down on the glass's edge. It may cause the tempered glass to shatter.**



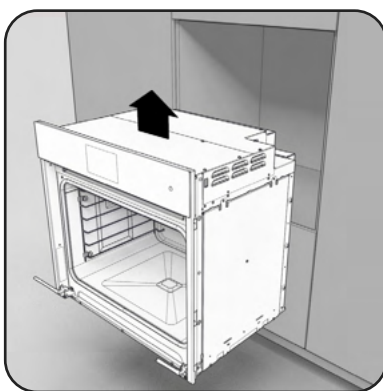
6. Remove oven racks and drip tray taped to top of wall oven.



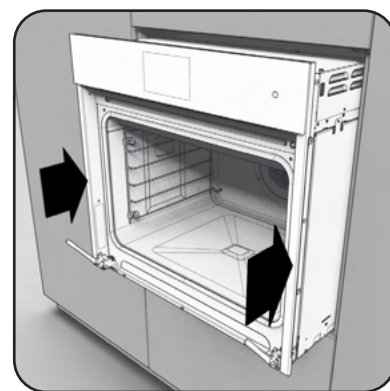
7. Ensure the wall power is turned off. Wire the wall oven to the wall power.  
**NOTE: Check local codes to see which wiring option should be used when grounding the unit.**



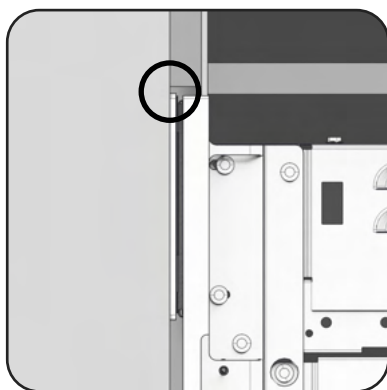
8. Unscrew the pallet bracket from the pallet. Slide the bracket out of the side of the oven. Repeat for the other side.



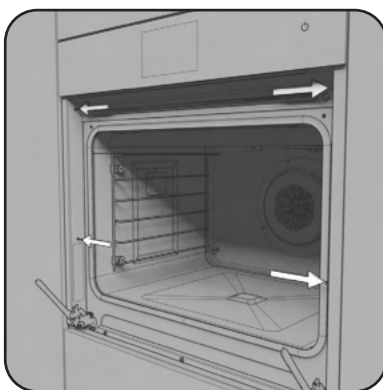
9. Lift oven into position. *Take care how the power conduit is routed as there may be minimal space behind the oven.*



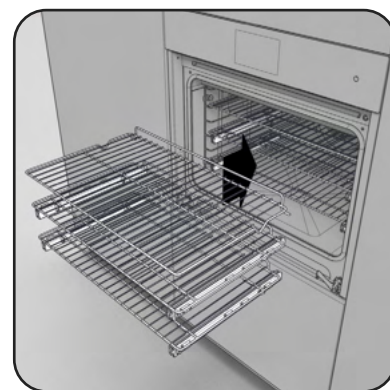
10. Push oven straight into cabinetry cutout.



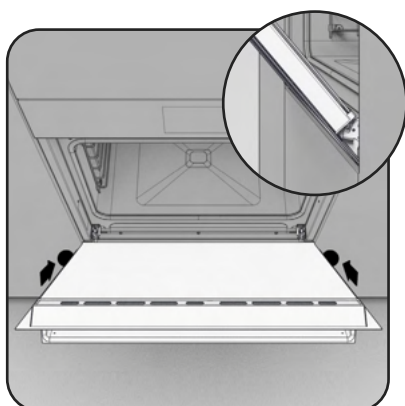
11. Ensure that the control panel glass is flush with the face of the cabinetry.



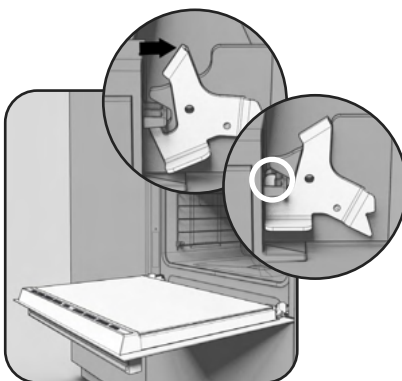
12. Screw oven into cabinetry using the provided screws. *Note: Four screws for single ovens, 8 screws for double ovens.*



13. Return the racks to the oven.



14. Replace the oven door and press firmly to insure it seats completely down on the hinge locking mechanism. ***Do not hold the door by the handle or use the handle for leverage. It may cause the glass to break.***



15. Open the door completely. Rotate door hinge locking mechanism back into place so that it latches fully. If it will not latch fully, close the door about 60 degrees and press down on the top corner, of the side that isn't locking, to get the door to seat fully on the locking mechanism and repeat.



16. Install drip tray below the oven cavity and close the door. Repeat for all other doors.

# Final Install Checklist

Read all installation instructions in this manual to see if the unit has been correctly installed before use.

## Ensure that:

- The oven is level and securely fitted to the cabinetry.
- Any internal packaging has been removed from the appliance.
- The disconnect switch is accessible by the customer.
- The bottom shelf can fully support the total weight of the combined appliances.
- The power is turned on at the breaker.

## Test Operations:

**NOTE: Heating elements and convection fan will not operate with the door open.**

- Tap the screen to wake the appliance.
- Check Bake Function** — Select the Bake function and select Start. Visually check to see that Broil elements glow. Carefully check if heat can be felt radiating from the Bake elements.
- Check High Broil Function** — Select the Broil cooking function, select High, and select Start. Visually check that both the inner and perimeter Broil elements are set at full power and glow consistently. Set broil element to full power. Check that oven cavity reaches temperature. (The Convection Broil function is the same as High Broil, but with the convection fan turned on.)

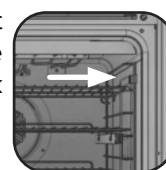
## Convection Functions:

- Check Convection Bake & Broil Functions** — Follow the same procedure as above with the Bake and Broil functions. Verify that the elements heat up and the convection fan turns on.
- Check TruConvec™ Function** — Set TruConvec™ function to full power. Visually check that the element behind the convection fan cover glows and the convection fan turns on.
- Check Convection Roast Function** — Select the Convection Roast function and select Start. Visually check that the Bake and Broil elements and the element behind the convection fan cover heat up and/or glow and the convection fan turns on.

## Connections:

- Check Meat Probe Connection** — Plug in the Meat Probe. Visually make sure that the Meat Probe icon shows up at the top of the display. Set a Bake Function, and make sure that the Meat Probe temperature monitoring options show up.
- Check Wi-Fi Connection** — Access the Settings menu and visually check to see if the name of the Wi-Fi router for the residence displays.
- Check Phone App Connection** — Access the Settings menu and connect your phone to the App. Ensure that the app displays correct and updated information when the above tests are taking place.

Meat  
Probe  
Jack



# Notes

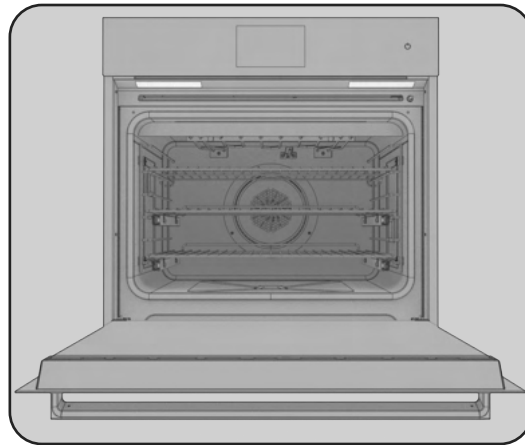
# DOUBLE OVEN

## Product Dimensions & Specifications

### Power Requirements

Description	Double Oven - MVDOE6301
Electrical Requirement	Oven requires a separate, grounded 4-wire, 240V (AC), 50 amp (double ovens) service with its own circuit breaker. Unit is equipped with no. 10 ground wire in conduit. Should be fused separately.
Max Amp Usage	240 VAC - 50.0 amps, 12.0 kW
	208 VAC - 43.4 amps, 9.0 kW

### Location of Serial Plate

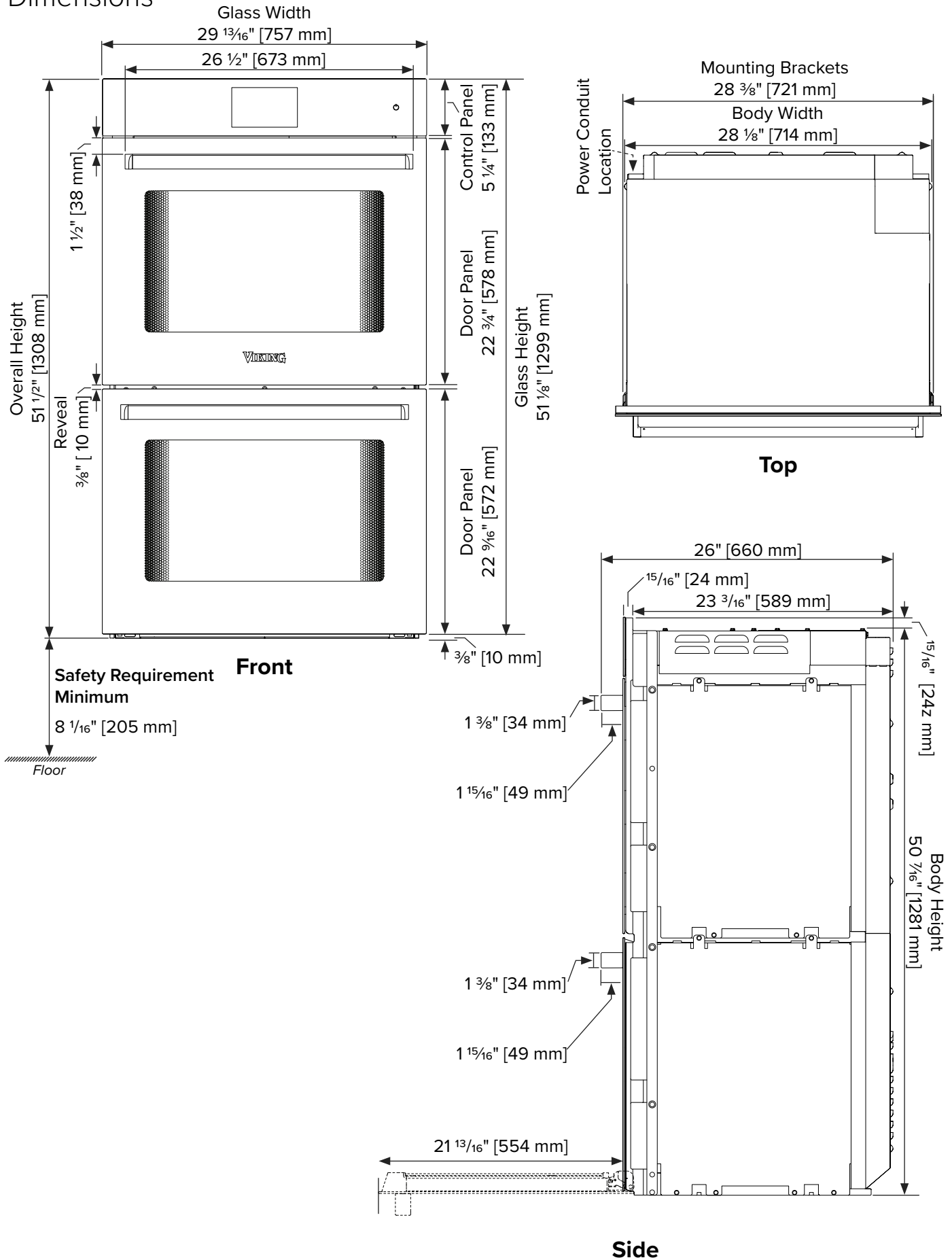


Serial Labels are located in the same locations on Single and Double Ovens.  
 \* Additional Serial Label located externally on top of the unit.

### Dimensions

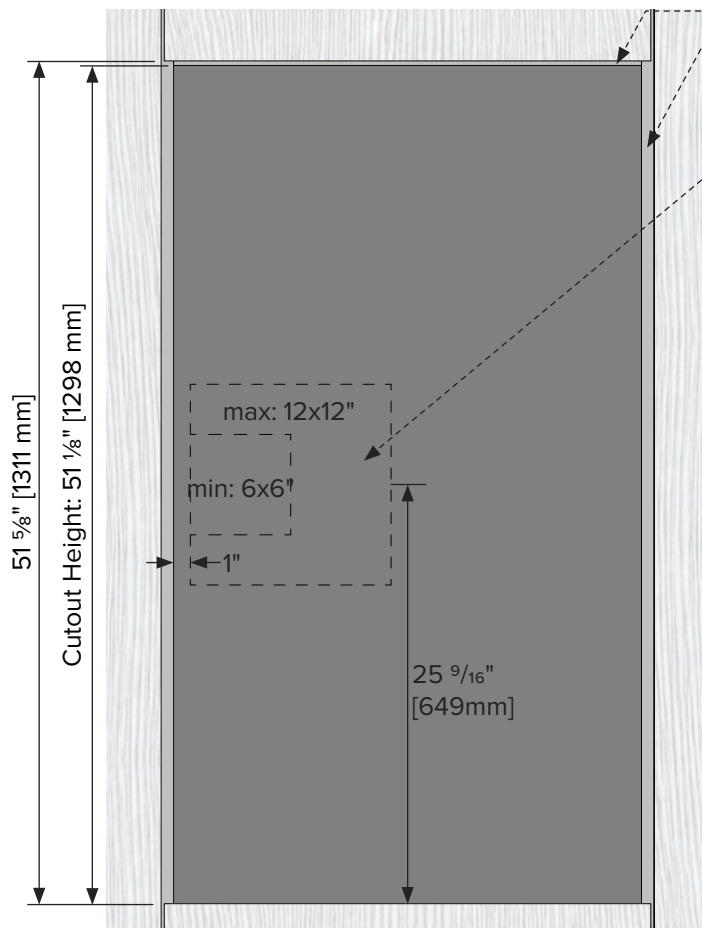
Description		MVDOE6301	
<b>Width</b>	Overall	29 13/16"	[757 mm]
	Width of Body	28 1/8"	[714 mm]
<b>Height</b>	Overall	51 1/2"	[1308 mm]
	Glass Height	51 1/8"	[1299 mm]
	Height of Body	50 7/16"	[1281 mm]
<b>Depth</b>	Overall to front of Handle	26"	[660 mm]
	Overall to front of Glass	24 1/8"	[613 mm]
	Depth into Cabinetry	23 3/16"	[589 mm]
	Door Open	21 13/16"	[554 mm]
<b>Interior</b> <i>(each cavity)</i>	Interior Width	25"	[635 mm]
	Interior Height	16"	[406 mm]
	Interior Depth	18 1/2"	[500 mm]
	Oven Volume (AHAM Standard)	3.8 ft <sup>3</sup>	[0.1076 m <sup>3</sup> ]
	Oven Volume (total oven cavity)	4.3 ft <sup>3</sup>	[0.1218 m <sup>3</sup> ]
Approximate Shipping Weight		385lbs	174.63kg

# Dimensions



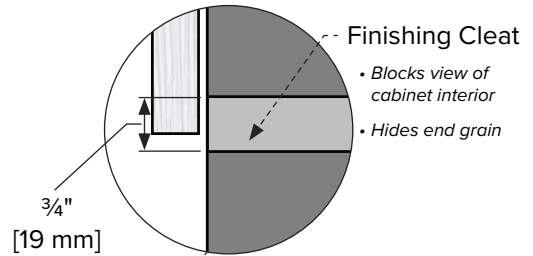
# Cabinetry Specifications - Standalone

## Standard Install Cabinetry Dimensions

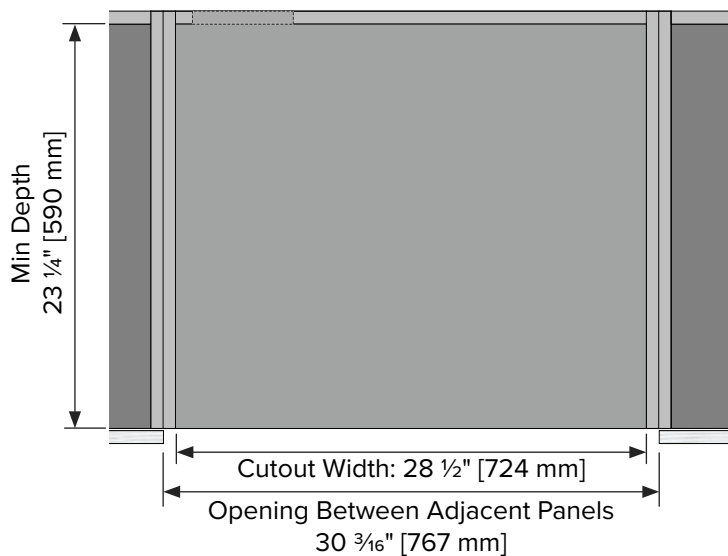


All exposed cabinetry wood end grain and Appliance Attachment Side Cleats should be finished or covered with veneer.

Location for power conduit hole. Conduit hole should be at least 6x6", but no more than 12x12". About 1" offset from the edge of the cavity.



**Front**

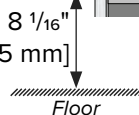


**Top**

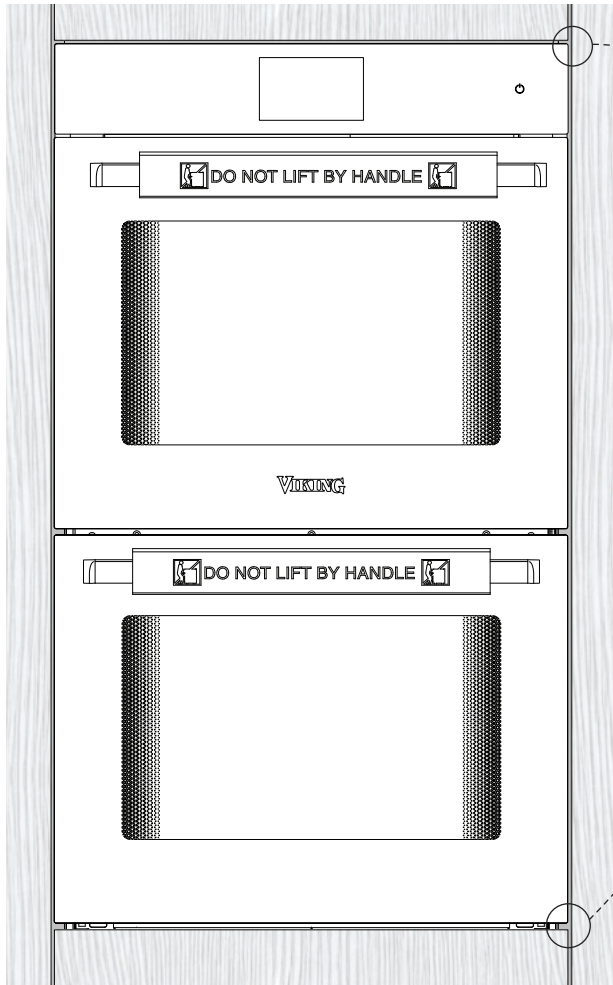


**Side**

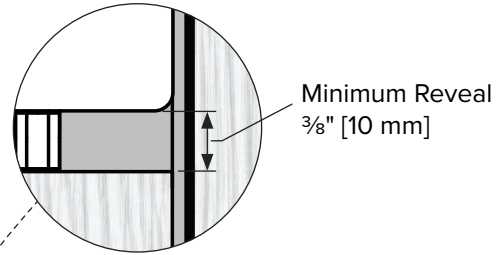
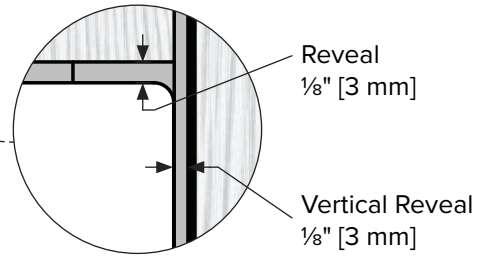
Safety Requirement Minimum [205 mm]



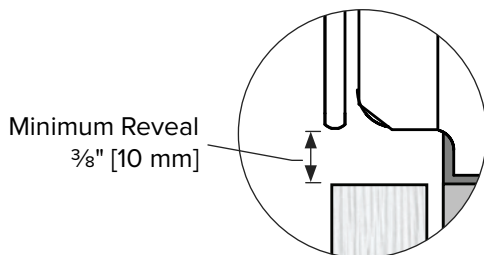
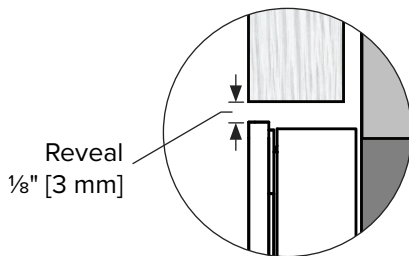
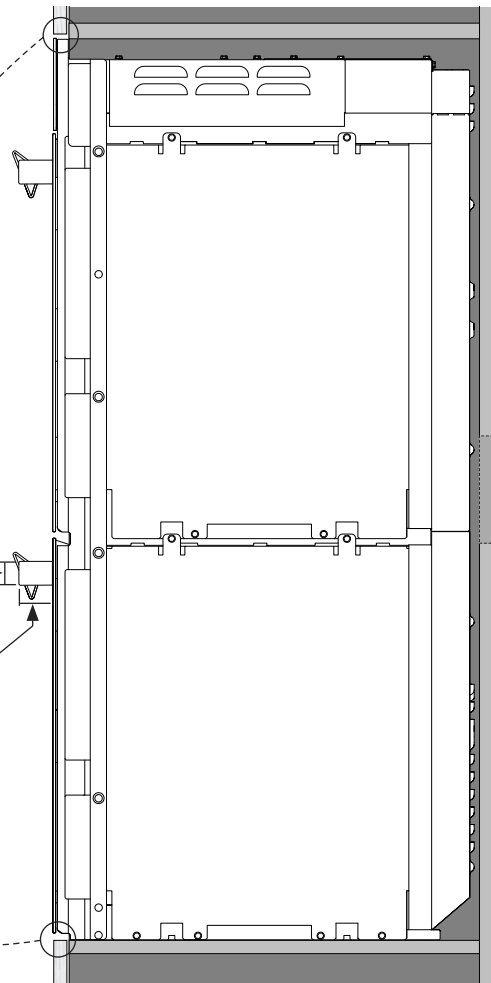
# Standard Install Product Reveals



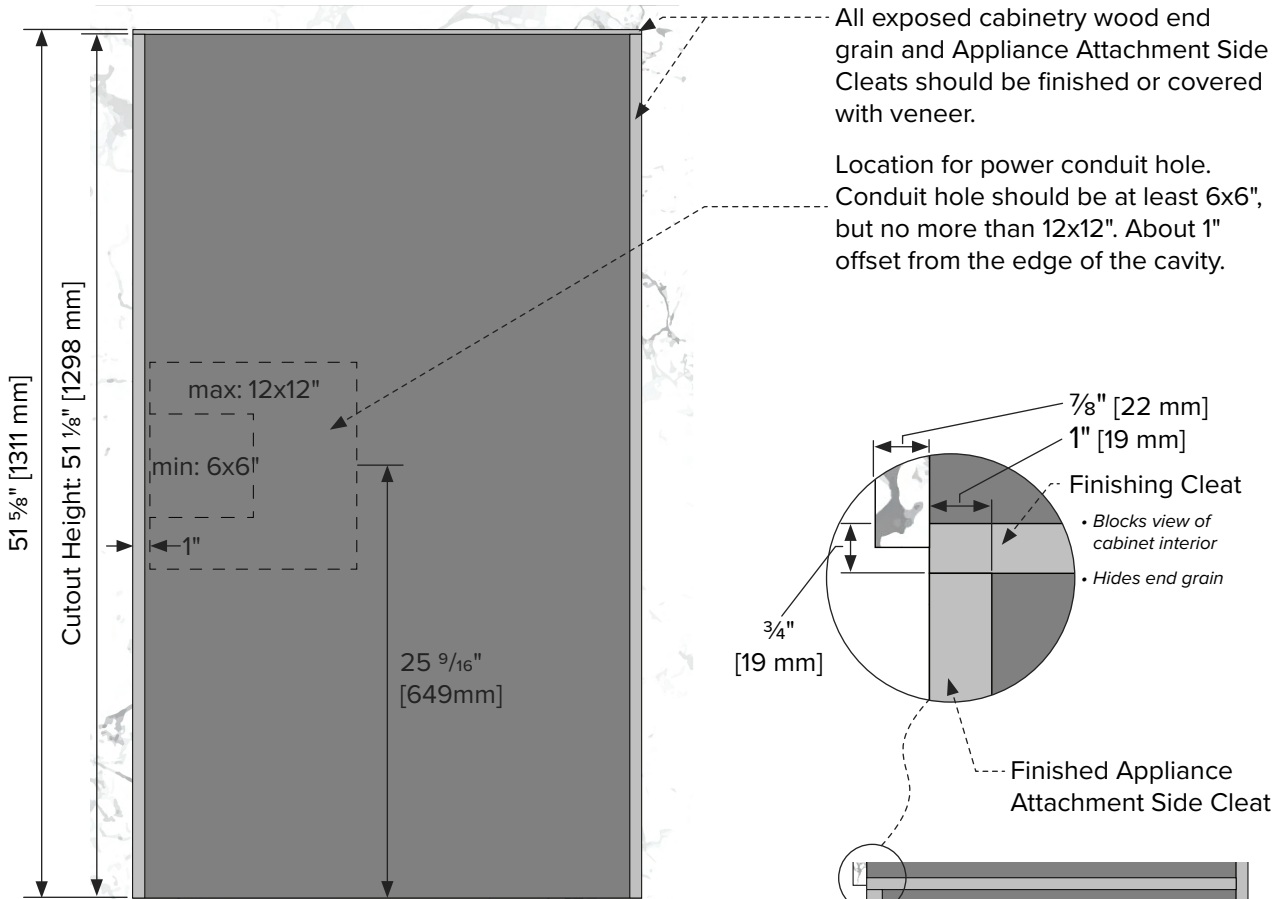
Front



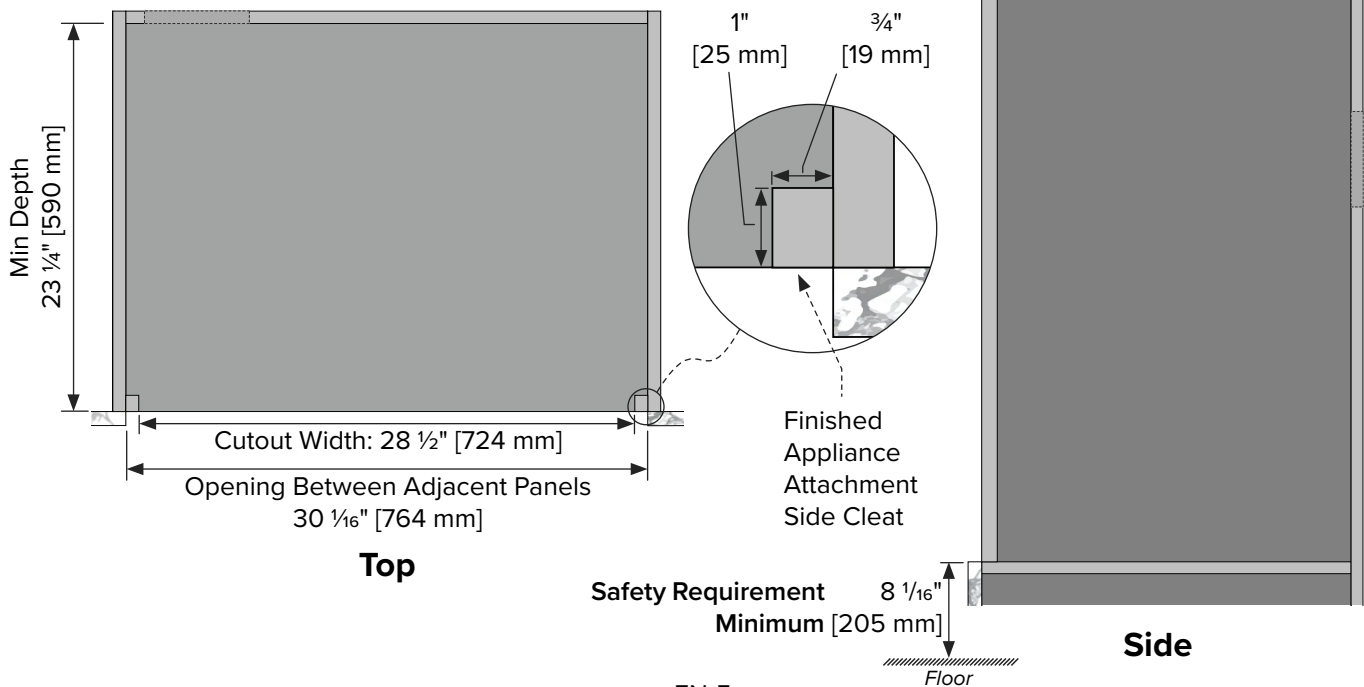
Side



# Flush Mounted Cabinetry Dimensions

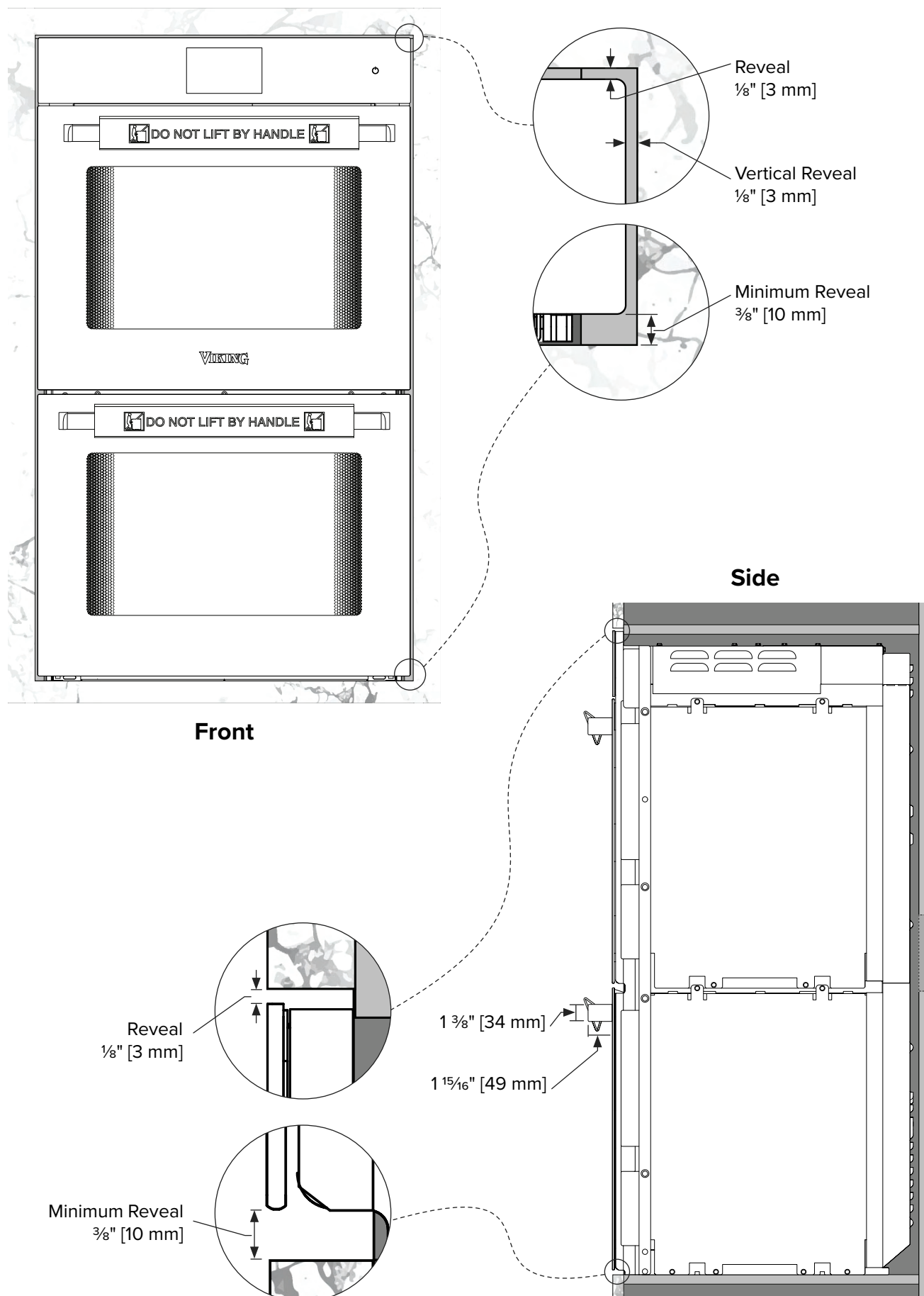


**Front**



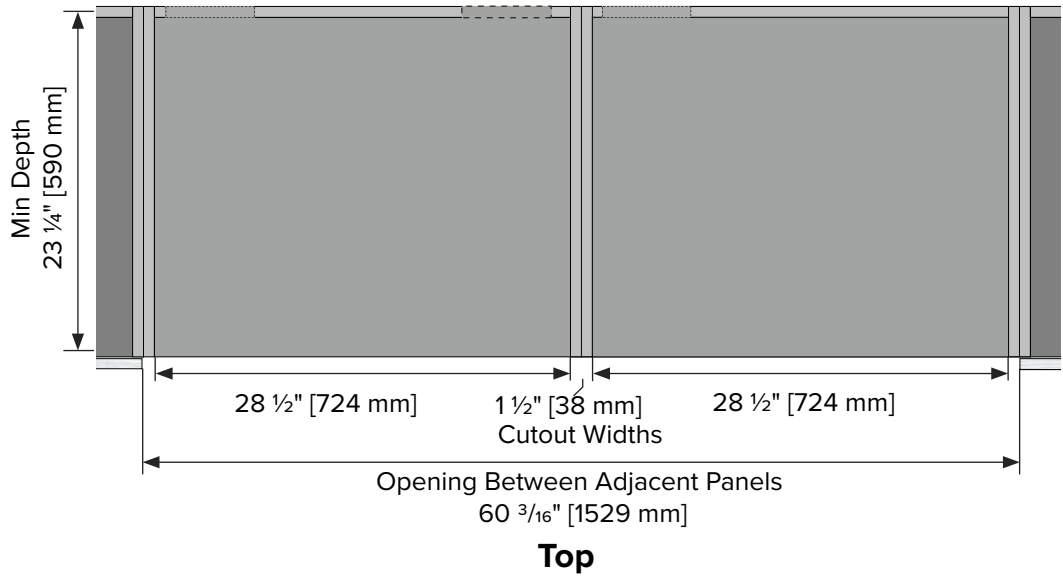
**Top**

# Flush Mounted Install Product Reveals

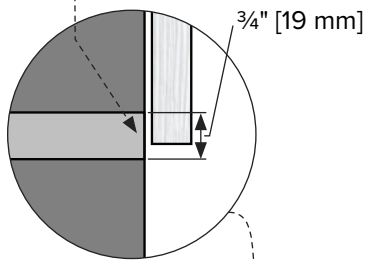


# Side by Side Cabinetry Specifications - 2 Double Ovens (MVDOE6301)

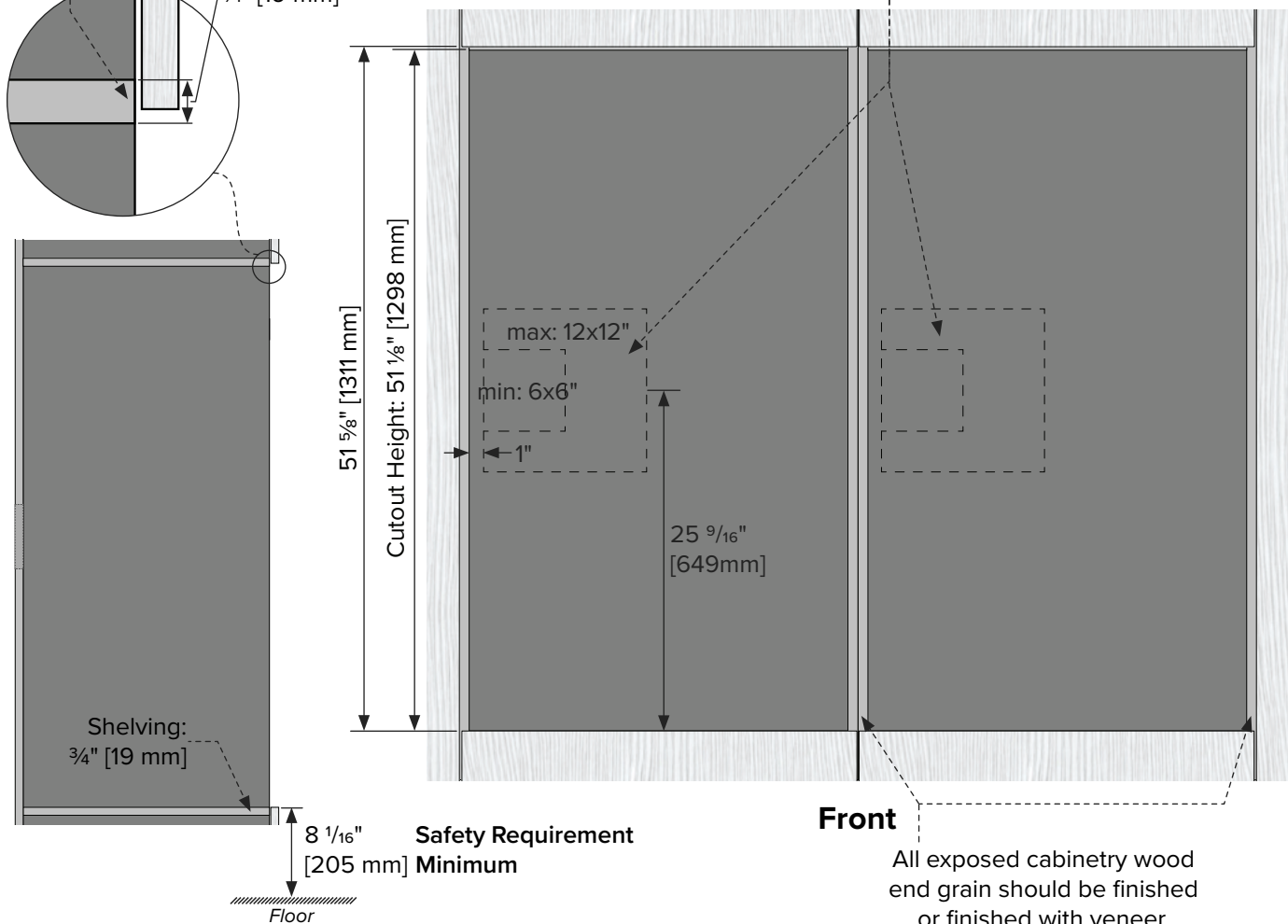
## Standard Install Cabinetry Dimensions



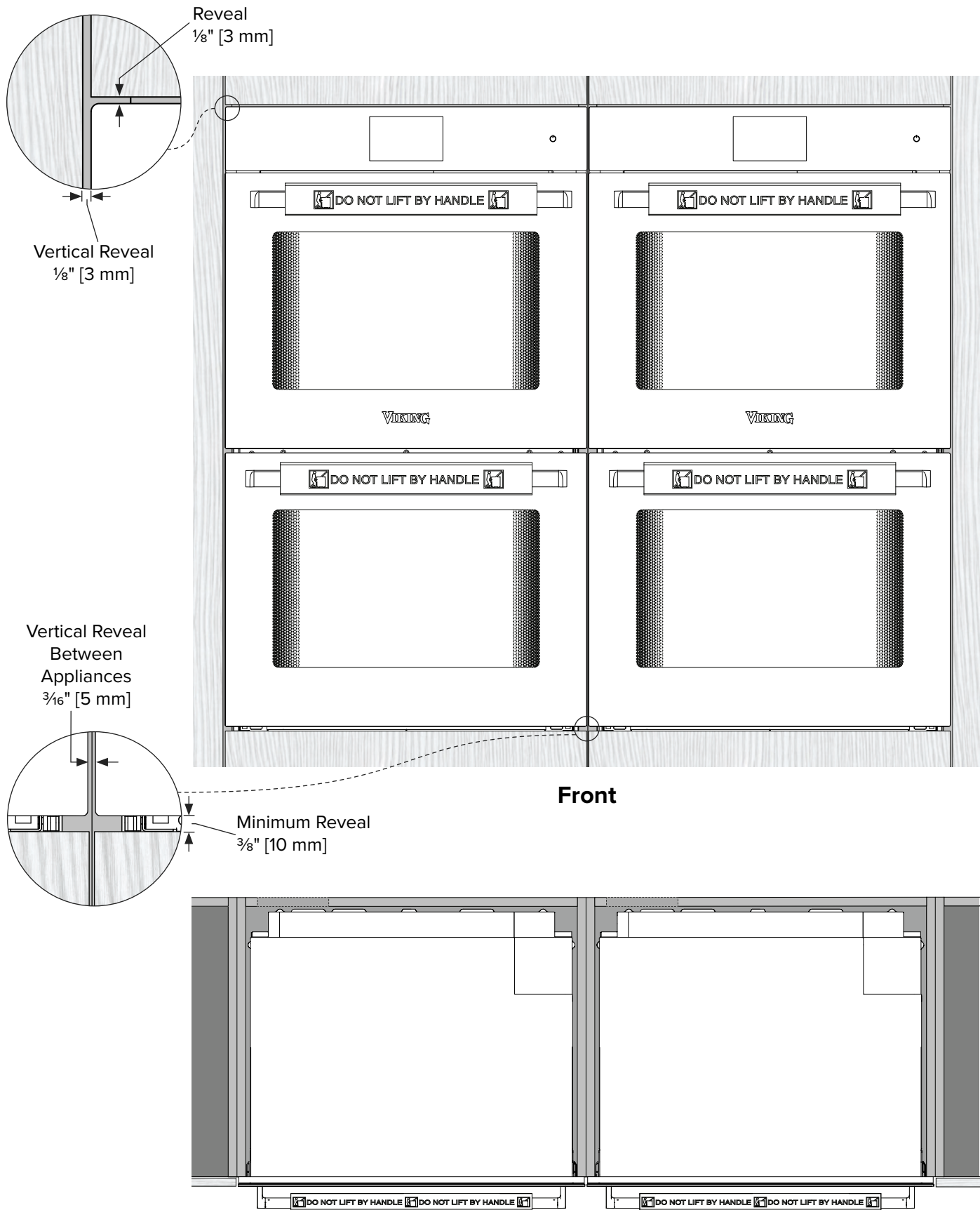
Finishing Shelf  
(Blocks view of cabinet interior)



Location for power conduit hole. Conduit hole should be at least 6x6", but no more than 12x12". About 1" offset from the edge of the cavity.



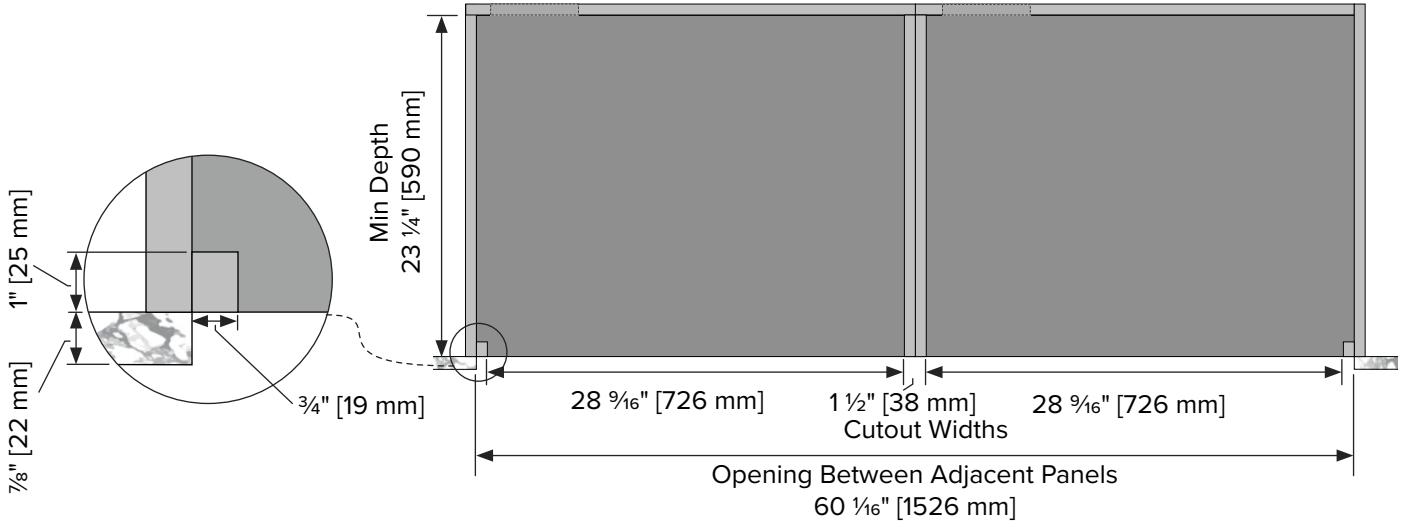
# Standard Install Product Reveals



Front

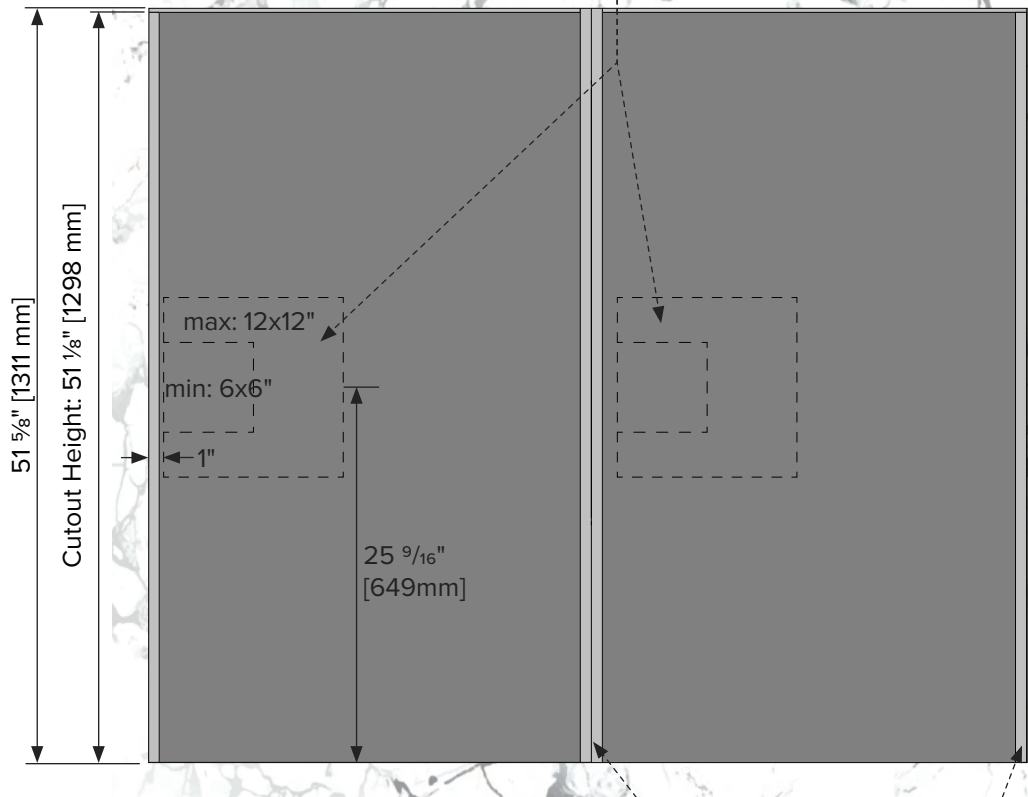
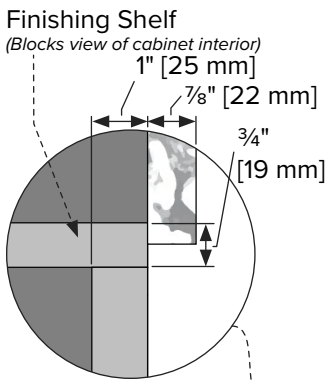
Top

# Flush Mounted Cabinetry Dimensions



**Top**

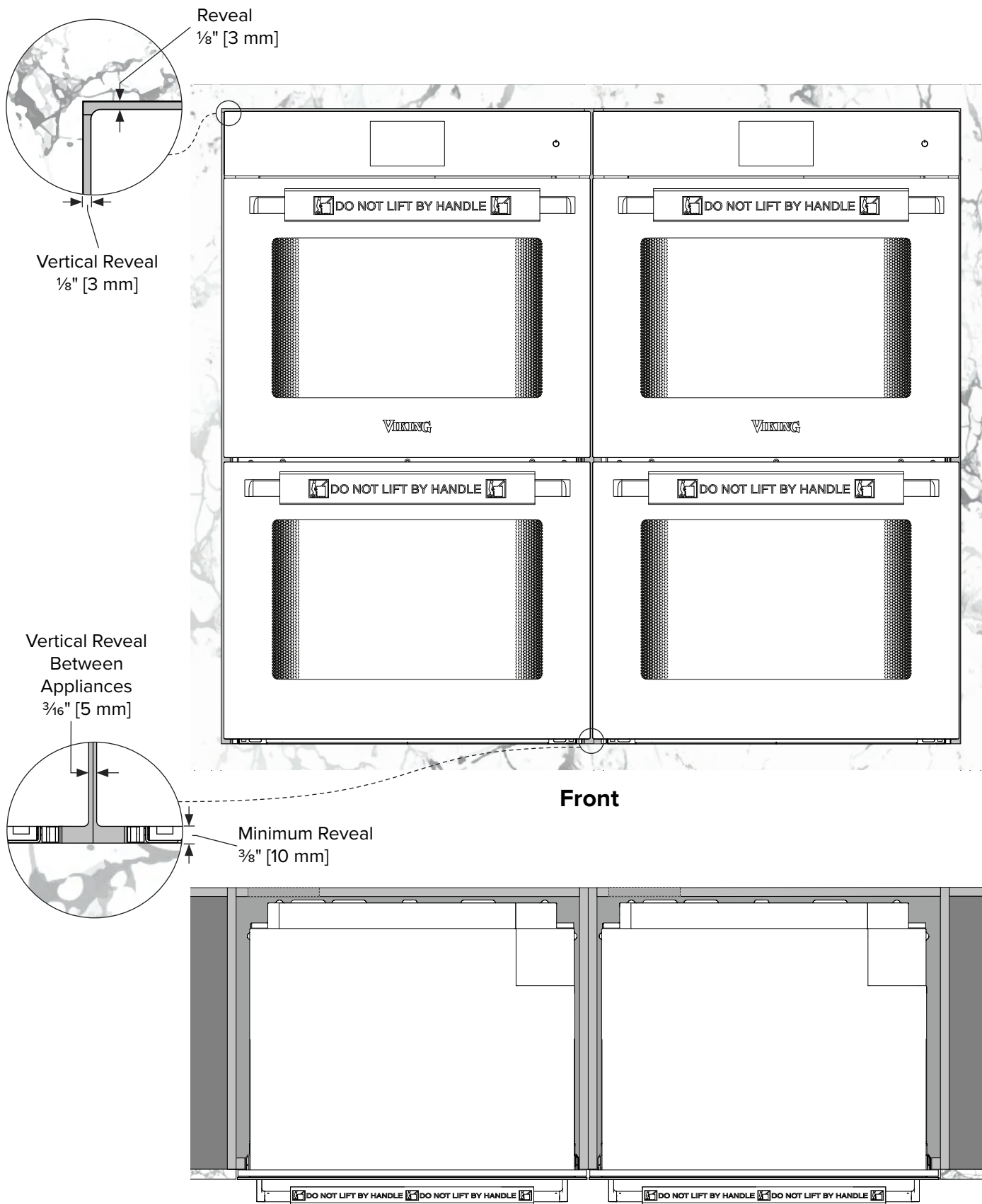
Location for power conduit hole. Conduit hole should be at least 6x6", but no more than 12x12". About 1" offset from the edge of the cavity.



**Front**

All exposed cabinetry wood end grain should be finished or finished with veneer.

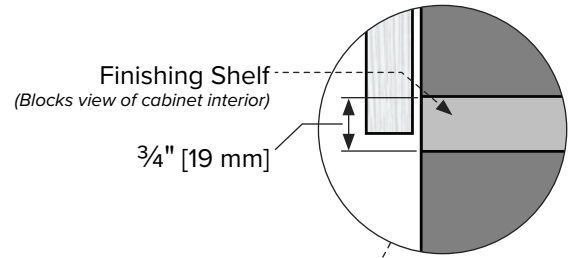
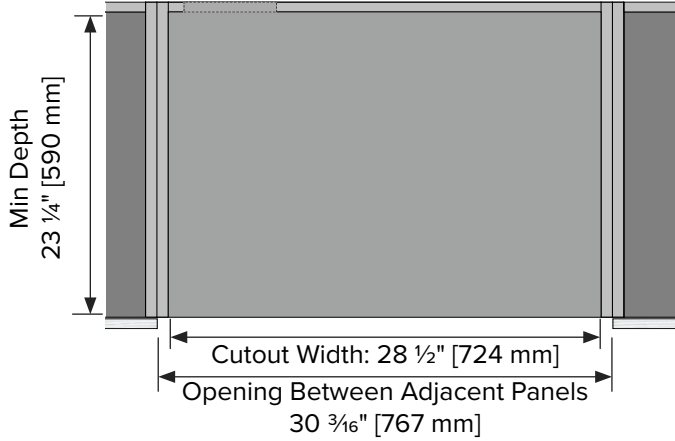
# Flush Mounted Install Product Reveals



# Double-Stack Cabinetry Specifications - Double Wall Oven with Warming Drawer

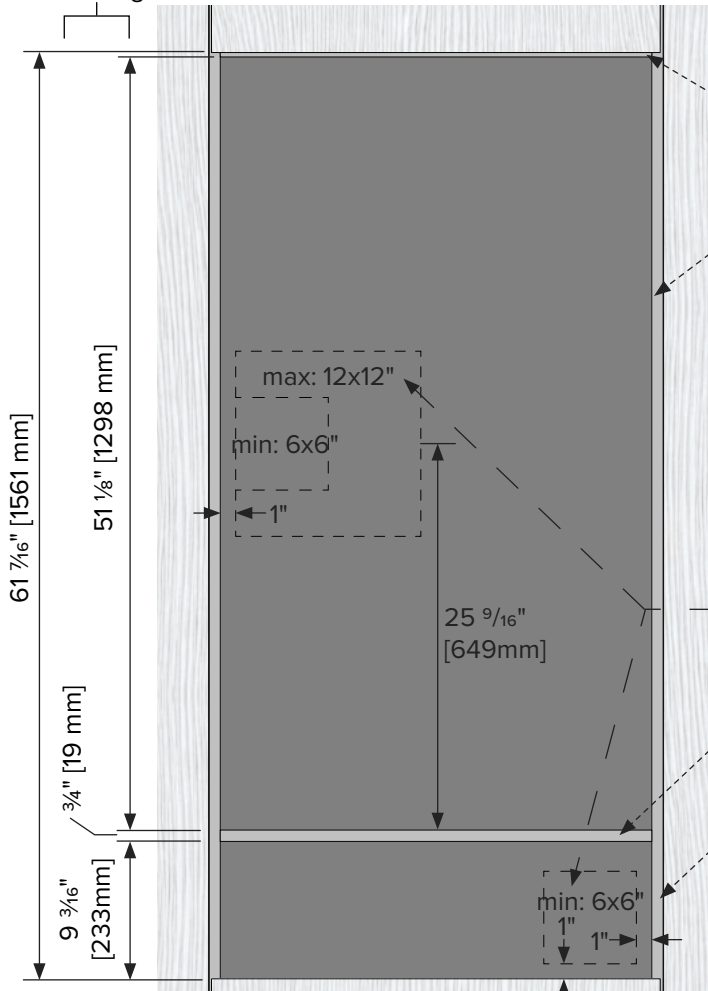
(MVDOE6301 & MVWDE6301)

## Standard Install Cabinetry Dimensions



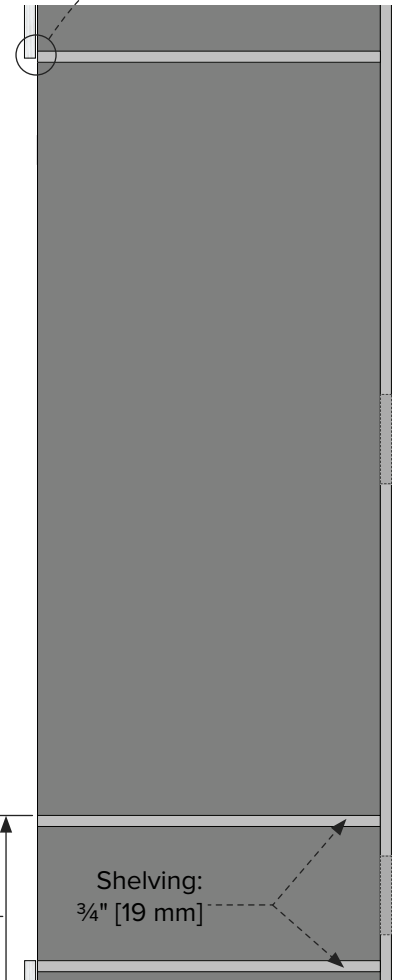
### Cutout Heights

### Top



All exposed cabinetry wood end grain should be finished or finished with veneer.

Location for power conduit hole. Conduit hole should be at least 6x6", but no more than 12x12". About 1" offset from the edge of the cavity.



### Front

### Safety

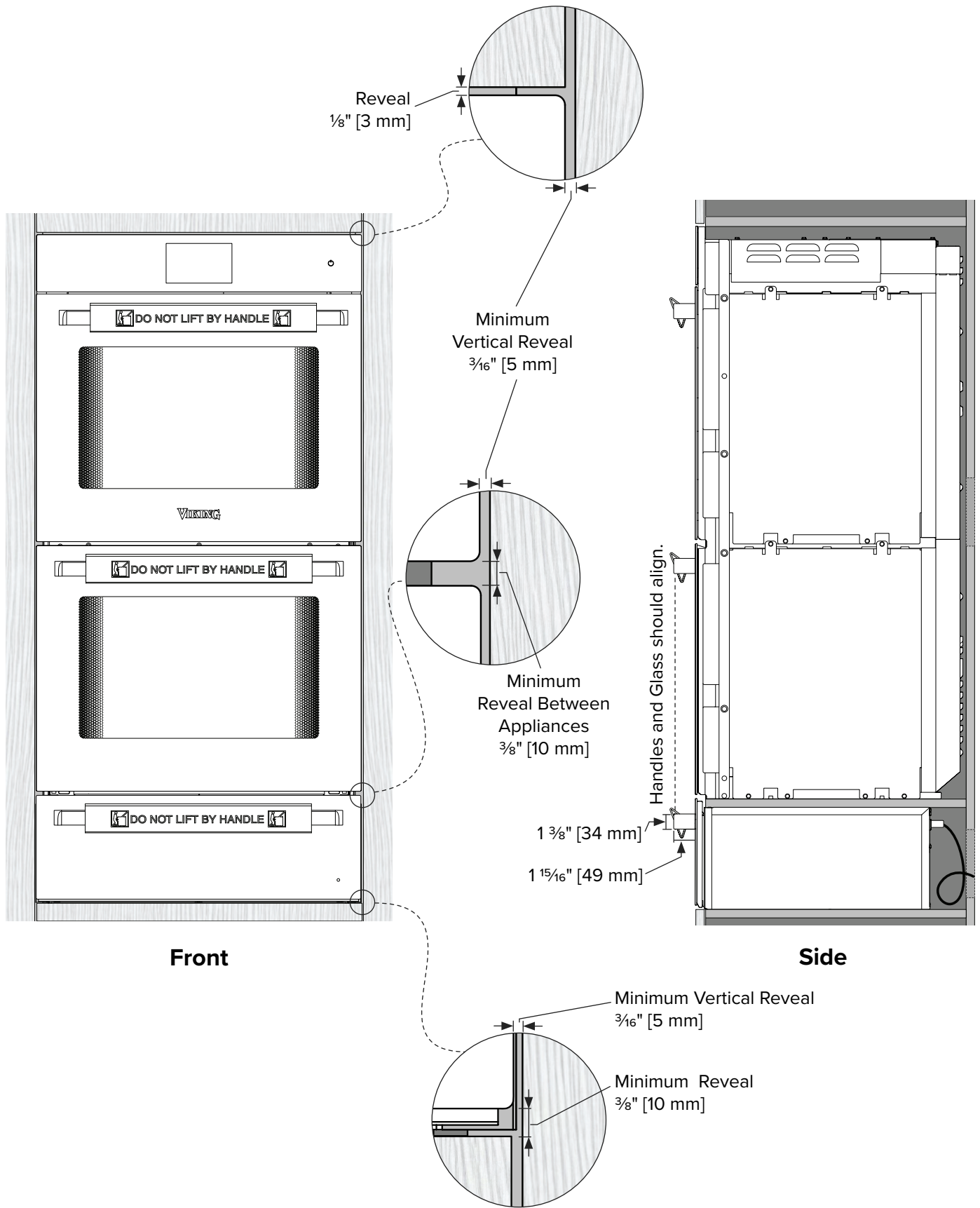
Requirement [205 mm] Minimum

8 1/16"

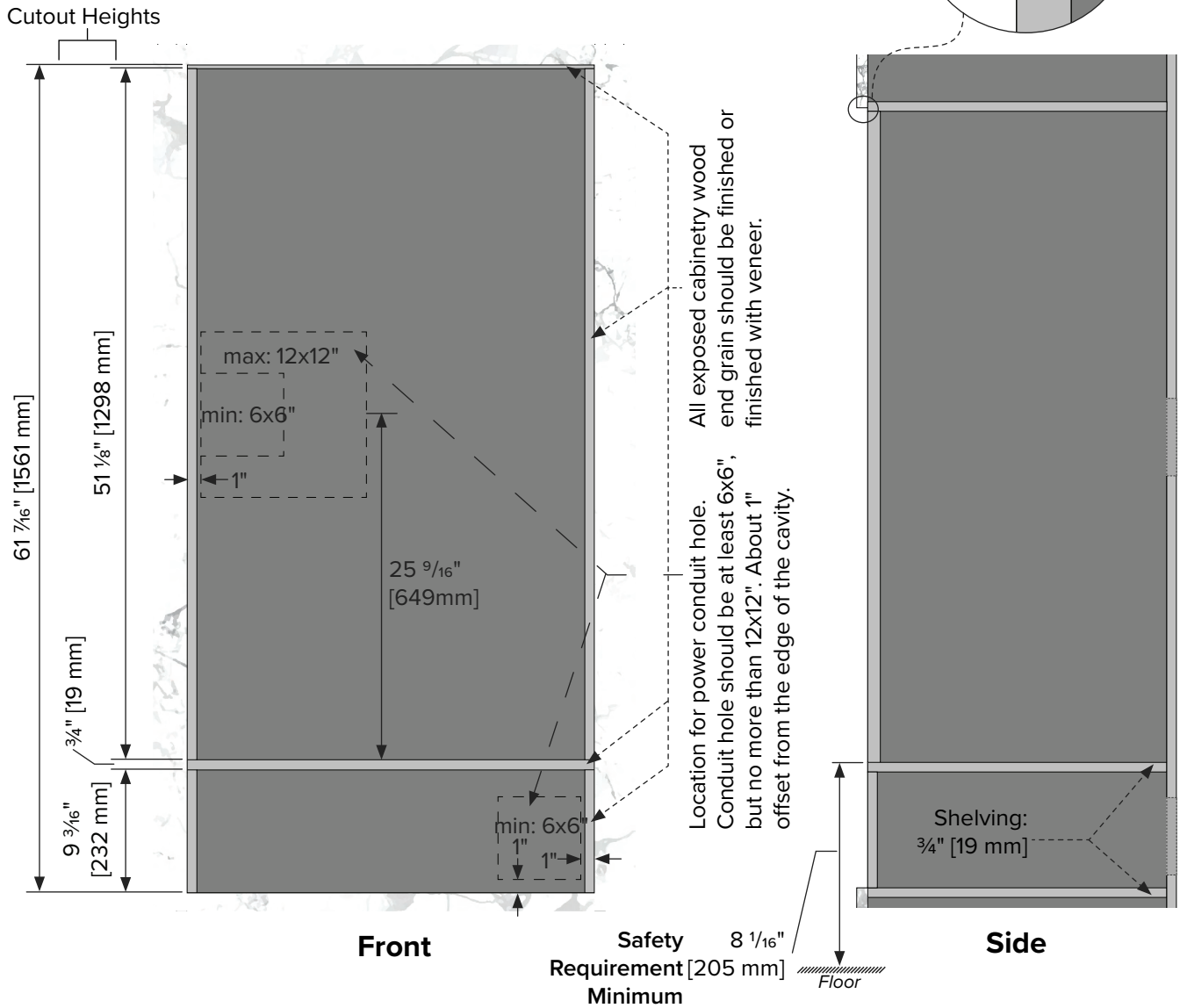
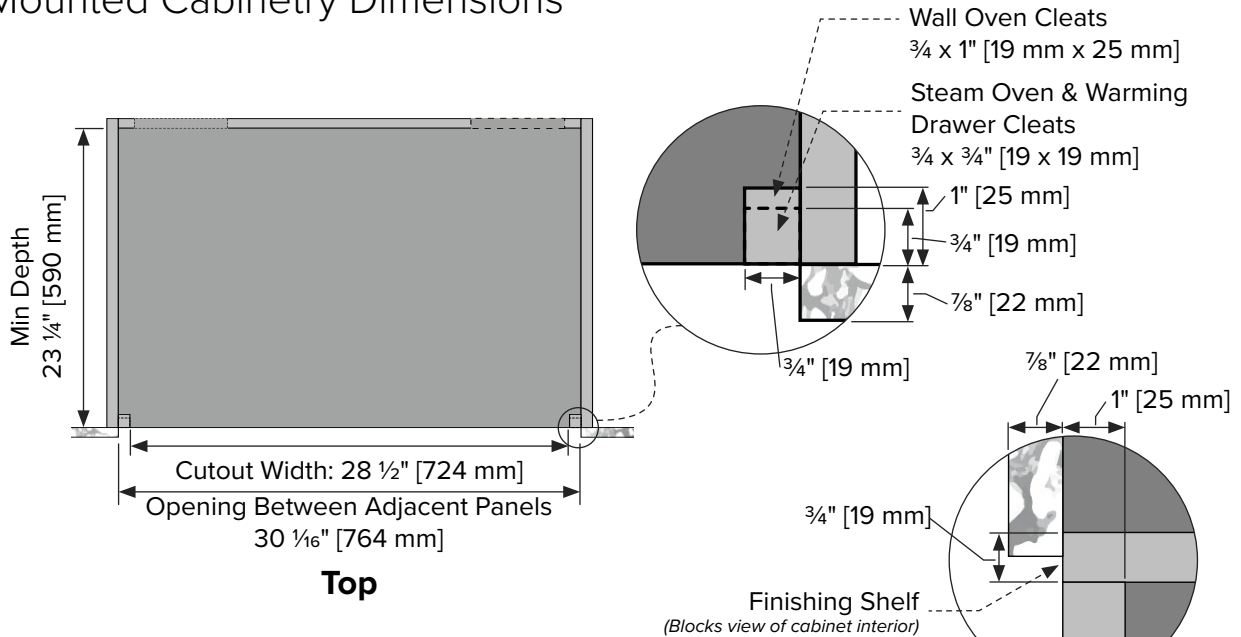
Floor

### Side

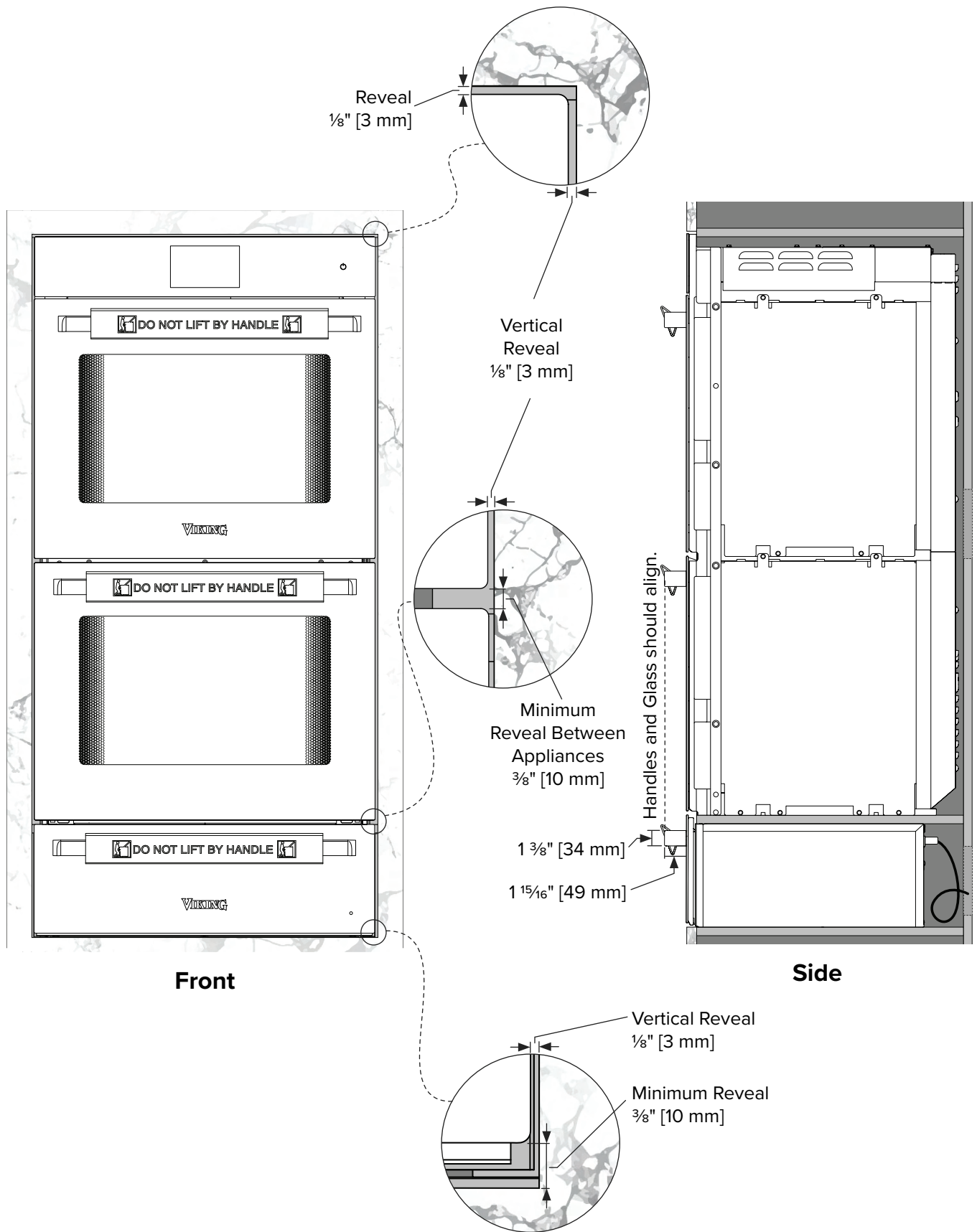
# Standard Install Product Reveals



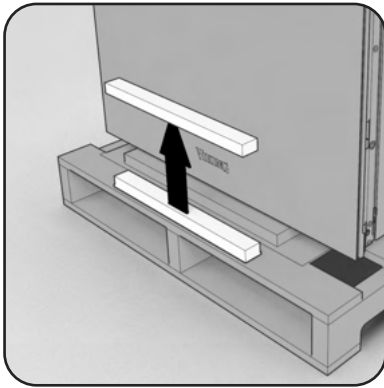
# Flush Mounted Cabinetry Dimensions



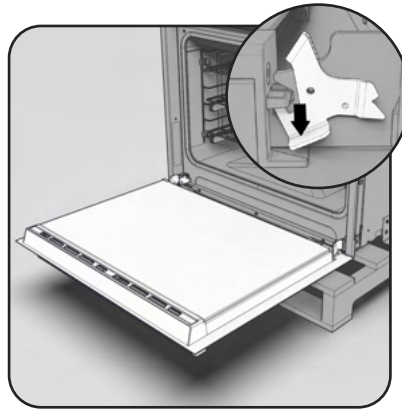
# Flush Mounted Install Product Reveals



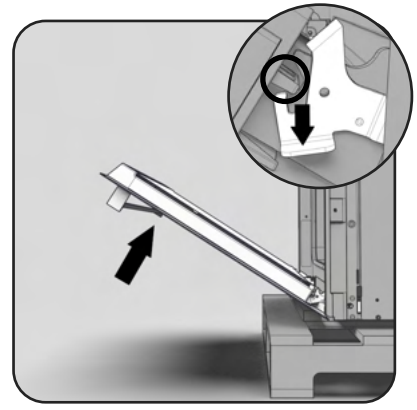
## Installation Steps



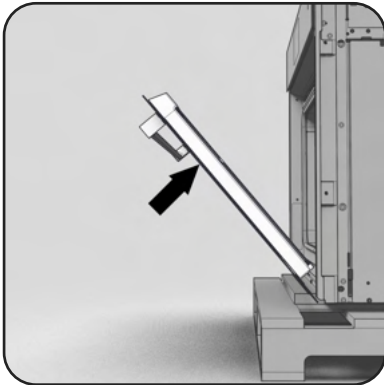
1. Remove wood brace on front of pallet.  
**Warning: Failure to remove wood brace may cause damage to the glass door.**



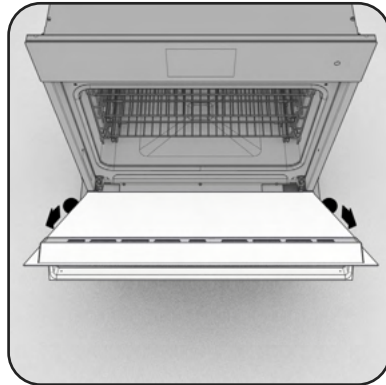
2. Open door completely and rotate door hinge mechanism as much as possible.



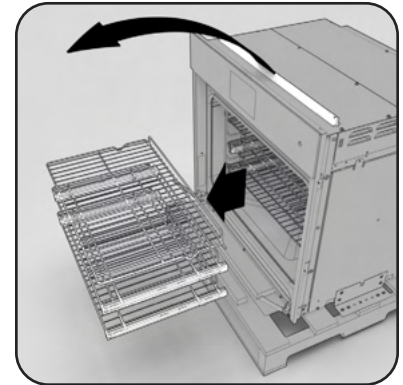
3. Raise the door about 20 – 30 degrees and rotate the hinge mechanism until you hear a click. This indicates the lock is fully unlocked and will hold the hinge when closed. Failure to do this will cause the hinge to continue to close while you are trying to remove the door.



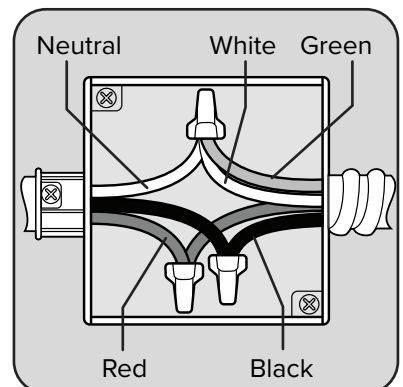
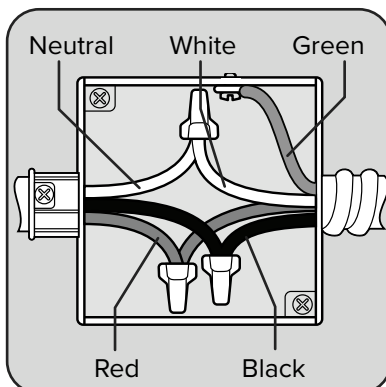
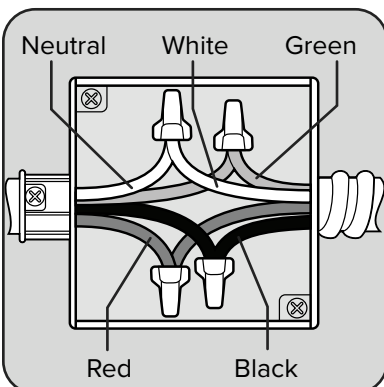
4. Continue to close the door gently until it is stopped by the hinge mechanism, releasing the tension on the door hinges. If the door hinges fail to stop, repeat step 3.  
**DO NOT TRY TO FORCE THE DOOR CLOSED**



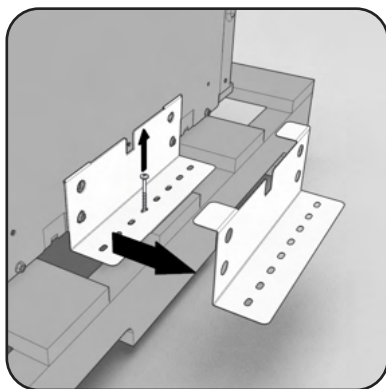
5. Firmly grasp both sides of the door near the bottom by the hinges. Evenly pull up on both sides. Lay removed door flat on a towel to prevent scratches. Repeat for all doors.  
- Do not hold the door by the handle or use the handle for leverage. It may cause the glass to break.  
- Do not set the door down on the glass's edge. It may cause the tempered glass to shatter.



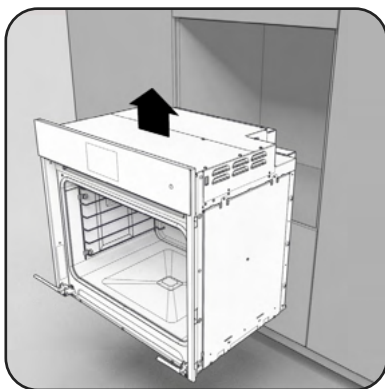
6. Remove oven racks and drip tray taped to top of wall oven.



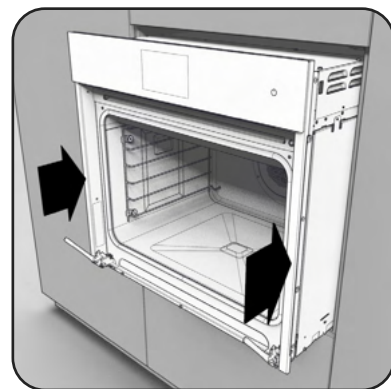
7. Ensure the wall power is turned off. Wire the wall oven to the wall power.  
**NOTE: Check local codes to see which wiring option should be used when grounding the unit.**



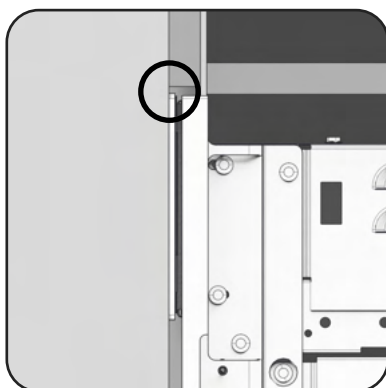
8. Unscrew the pallet bracket from the pallet. Slide the bracket out of the side of the oven. Repeat for the other side.



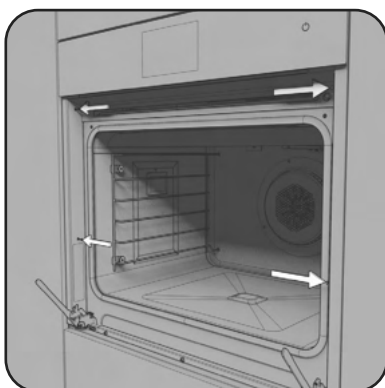
9. Lift oven into position. *Take care how the power conduit is routed as there may be minimal space behind the oven.*



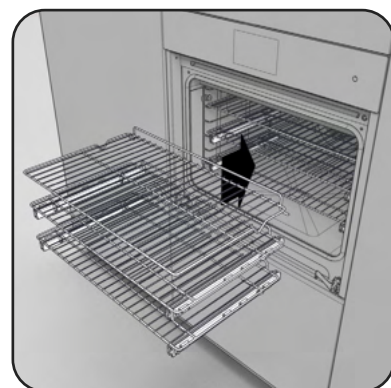
10. Push oven straight into cabinetry cutout.



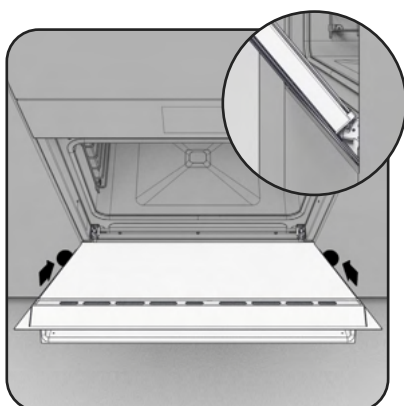
11. Ensure that the control panel glass is flush with the face of the cabinetry.



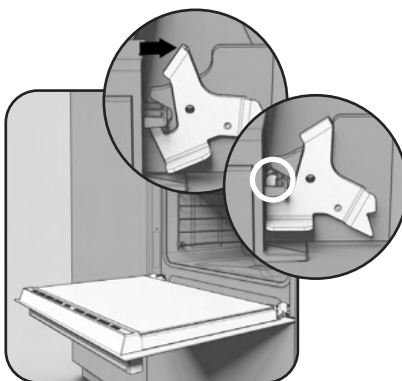
12. Screw oven into cabinetry using the provided screws. *Note: Four screws for single ovens, 8 screws for double ovens.*



13. Return the racks to the oven.



14. Replace the oven door and press firmly to insure it seats completely down on the hinge locking mechanism. ***Do not hold the door by the handle or use the handle for leverage. It may cause the glass to break.***



15. Open the door completely. Rotate door hinge locking mechanism back into place so that it latches fully. If it will not latch fully, close the door about 60 degrees and press down on the top corner, of the side that isn't locking, to get the door to seat fully on the locking mechanism and repeat.



16. Install drip tray below the oven cavity and close the door. Repeat for all other doors.

# Final Install Checklist

Read all installation instructions in this manual to see if the unit has been correctly installed before use.

## Ensure that:

- The oven is level and securely fitted to the cabinetry.
- Any internal packaging has been removed from the appliance.
- The disconnect switch is accessible by the customer.
- The bottom shelf can fully support the total weight of the combined appliances.
- The power is turned on at the breaker.

## Test Operations:

**NOTE: Heating elements and convection fan will not operate with the door open.**

- Tap the screen to wake the appliance.
- Check Bake Function** — Select the Bake function and select Start. Visually check to see that Broil elements glow. Carefully check if heat can be felt radiating from the Bake elements.
- Check High Broil Function** — Select the Broil cooking function, select High, and select Start. Visually check that both the inner and perimeter Broil elements are set at full power and glow consistently. Set broil element to full power. Check that oven cavity reaches temperature. (The Convection Broil function is the same as High Broil, but with the convection fan turned on.)

## Convection Functions:

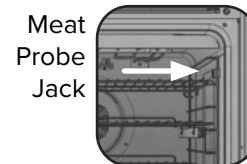
- Check Convection Bake & Broil Functions** — Follow the same procedure as above with the Bake and Broil functions. Verify that the elements heat up and the convection fan turns on.
- Check TruConvec™ Function** — Set TruConvec™ function to full power. Visually check that the element behind the convection fan cover glows and the convection fan turns on.
- Check Convection Roast Function** — Select the Convection Roast function and select Start. Visually check that the Bake and Broil elements and the element behind the convection fan cover heat up and/or glow and the convection fan turns on.

## Double Oven:

- (Double Oven) Repeat previous steps for the other oven cavity.

## Connections:

- Check Meat Probe Connection** — Plug in the Meat Probe. Visually make sure that the Meat Probe icon shows up at the top of the display. Set a Bake Function, and make sure that the Meat Probe temperature monitoring options show up.
- Check Wi-Fi Connection** — Access the Settings menu and visually check to see if the name of the Wi-Fi router for the residence displays.
- Check Phone App Connection** — Access the Settings menu and connect your phone to the App. Ensure that the app displays correct and updated information when the above tests are taking place.



# Notes

# Service Information

Only authorized replacement parts may be used in performing service on the appliance.

**DO NOT** repair or replace any part of the appliance unless specifically recommended in the manual. All other servicing should be referred to a qualified technician.

Contact Viking Range, LLC, 1-888-(845-4641), for the nearest service parts distributor in your area or write to:

**Viking Range, LLC  
PREFERRED SERVICE  
111 Front Street  
Greenwood, Mississippi 38930 USA**

Make a note of the information below. You'll need it if service is ever required. The model and serial number of your Wall Oven can be found on the serial label. Please refer to the Features & Accessories section for an image of the location. Another serial label is located on the top of the unit.

Model Number \_\_\_\_\_

Serial Number \_\_\_\_\_

Date of Purchase \_\_\_\_\_

Date Installed \_\_\_\_\_

Dealer's Name \_\_\_\_\_

Address \_\_\_\_\_

If service requires installation of parts, use only authorized parts to insure protection under the warranty.


**These installation instructions should remain with the unit for future reference.**

## Software & Firmware Version:

Please ensure your appliance is fully up-to-date by following these steps:

1. Settings Menu
2. Advanced
3. Software Update

If you have trouble updating the software of your appliance, or to find your appliance's current software version, please contact Viking Range, LLC at 1-888-845-4641, and Customer Service will walk you through the procedure to access it.

<p><b>1MW M.2</b>                  FCC ID: 2BEZB-87VKR                  ISED ID: 32776-87VKR                  Model Name: 1MW M.2</p>	 Viking Range, LLC <sup>®</sup>
<p>This device complies with part 15 of the FCC rules to the following two conditions:                  (1) This device may not cause harmful interference, and                  (2) This device must accept any interference received, including interference that may cause undesired operation.</p>	
<p>085177-000B</p>	

Viking Range, LLC  
 111 Front Street  
 Greenwood, Mississippi 38930 USA  
 (662) 455-1200

For product information, call 1-888-845-4641  
 or visit our website at [vikingrange.com](http://vikingrange.com)