



VIKING

Installation Guide

All Refrigerator

FDREIC7240L - FDREIC7240R - FDREIC7300L - FDREIC7300R
FDREIC7360L - FDREIC7360R

All Freezer

FDFZIC7180L - FDFZIC7180R - FDFZIC7240L - FDFZIC7240R
FDFZIC7300L - FDFZIC7300R - FDFZIC7360L - FDFZIC7360R

Bottom Mount

FDBMIC7360L - FDBMIC7360R

Wine Cellar

FDWCIC7240L - FDWCIC7240R

1. IMPORTANT INSTRUCTIONS	4
1.1 Important safety instructions.....	4
1.2 Child safety	4
2. TECHNICAL REQUIREMENTS	5
2.1 Appliance features and installation requirements.....	5
2.2 Installation cutout features: panel-ready all refrigerator / all freezer columns	6
2.3 Installation cutout features: panel-ready bottom freezer.....	8
3. PREPARING FOR THE INSTALLATION	10
3.1 Transporting to installation site and unpacking.....	10
3.2 Electrical and water connection.....	10
3.3 Energy: Alternatives and Home Automation.....	11
3.4 Leveling.....	12
4. CUTOUT DIMENSIONS	13
4.1 Cutout dimension for combined installation (for all models except XPro).....	13
5. PANEL MOUNTING	14
5.1 Overlay door-panel layout	14
5.2 Center Drawer Panel Installation.....	16
5.3 Lower Drawer Panel Installation	17
5.4 Overlay panel layout for bottom freezer model with two bottom drawers.....	19
5.5 Overlay panel for all refrigerator / all Wine columns.....	20
5.6 Overlay panel layout for Wine column with glass door	21
5.7 Panels dimensions: bottom freezer / two bottom drawer	22
5.8 Panel dimensions all refrigerator / all freezer column models	23
5.9 Mounting panels to the door	24
5.10 Mounting panels to the drawer.....	24
5.11 Optional 1/8" panel reveal for multiple-unit installation.....	25
6. INSTALLATION: ALL MODELS	26
6.1 Built-in installation of single appliance	26
6.2 Built-in installation of two or more appliances	26
6.3 Maximum cabinet depth over panel-ready appliance with single door panel.....	31
7. COMPLETING THE INSTALLATION	32
7.1 Anti-tipping safety assembly	32
7.2 Ventilation	33
7.3 Post-installation checklist.....	34
7.4 Start-up.....	34

1. IMPORTANT INSTRUCTIONS

1.1 Important safety instructions

Symbols used in the Guide:



Note

Tips for the correct use of the appliance



Important

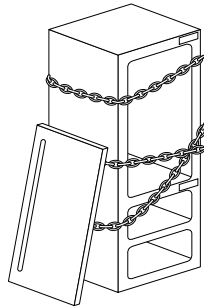
Instructions for avoiding appliance damage



Warning

Instructions for preventing injury

1.2 Child safety



DANGER: Risk of child entrapment. Before disposing of your old refrigerator, freezer or wine cellar:

- Remove the doors
- Leave the shelves in place, so that children may not easily climb inside.



Dimensions in parentheses are in inches.
Weights in parentheses are in pounds.
Temperatures in parentheses are in degrees Fahrenheit.

2. TECHNICAL REQUIREMENTS

2.1 Appliance features and installation requirements

Weight with packaging	18" up to 331 lbs. (150 kg.)
	24" up to 375 lbs. (170 kg.)
	30" up to 419 lbs. (190 kg.)
	36" up to 441 lbs. (200 kg.)
Voltage	AC 110 - 120V 60Hz
Power supply cable	90° Nema 5-15P
Dedicated circuit breaker	15A
Potable water supply pressure	from 0.05 MPa to 0.5 MPa (0.5 Bar - 5 Bar)
PSI measurement	7.25psi - 72.5psi
Water connection	3/4" NPT
Provided installation accessories	<ul style="list-style-type: none"> - Anti-tipping kit - Lateral mounting clips (10 pieces) - Overlay panel mounting kit - Water connection kit
Additional equipment needed	<ul style="list-style-type: none"> - Phillips screwdriver - Wood drill - 1/8" (2.5 mm) bit for wood - 3/8" (8 mm) bit for walls - 3/8" (10 mm) bit for walls - 11/16" (17 mm) wrench - 3/4" (19 mm) wrench - 1/2" (13 mm) socket for adjusting the rear leveling legs - 1/8" (2.5 mm) Allen wrench for installing handles
Other provided accessories	<ul style="list-style-type: none"> - Cleaning kit

2. TECHNICAL REQUIREMENTS

2.2 Installation cutout features: panel-ready all refrigerator / all freezer columns

A Minimum cutout height

84" (2134 mm)

Cutout width

36" model: 36" (914 mm)

30" model: 30" (762 mm)

24" model: 24" (610 mm)

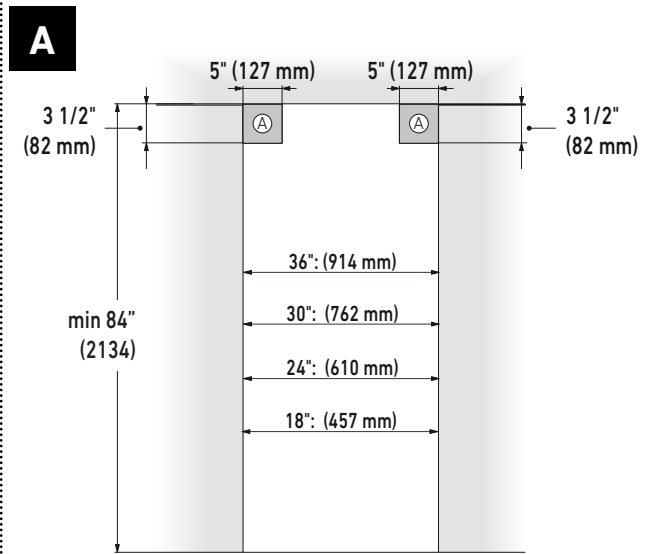
18" model: 18" (457 mm)

Minimum cutout depth

24" (610 mm) + panel thickness for flush installation

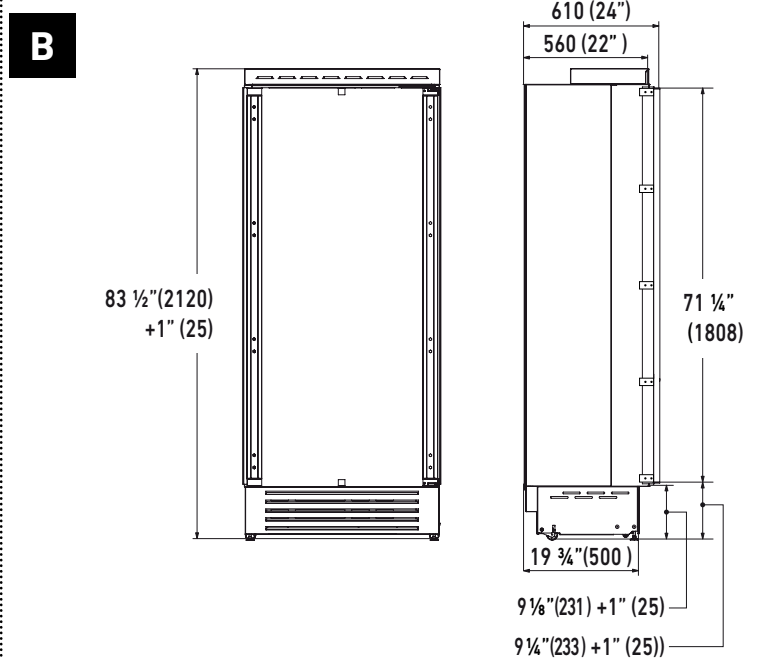
Area to be left clear for the anti-tipping brackets

5" (127 mm) for both right and left sides



B Appliance height

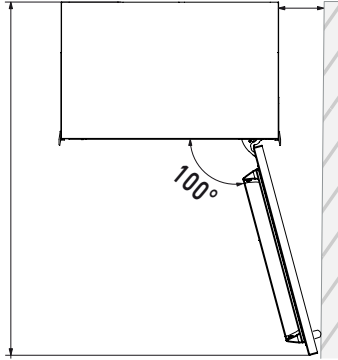
83 1/2" (2120 mm) + 1" (25 mm)



2. TECHNICAL REQUIREMENTS

Door-Swing Clearance

36" model: 58 5/8" (1489 mm)
 30" model: 52 5/8" (1338 mm)
 24" model: 46 3/4" (1187 mm)
 18" model: 40 3/4" (1036 mm)



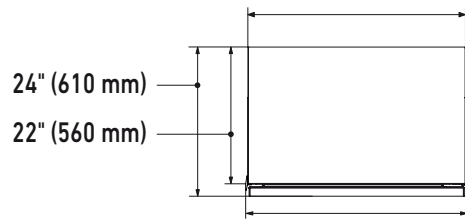
Minimum distance from the wall (hinge side)

36" model: 6 1/4" (158 mm)
 30" model: 5 1/4" (132 mm)
 24" model: 4 1/4" (108 mm)
 18" model: 3 1/4" (82 mm)



90° hinges available to be ordered as spare part

36" model: 34 7/8" (885 mm)
 30" model: 28 7/8" (735 mm)
 24" model: 23" (585 mm)
 18" model: 17 1/8" (435 mm)



Width of appliance body

36" model: 35 7/8" (912 mm)
 30" model: 29 7/8" (760 mm)
 24" model: 23 7/8" (608 mm)
 18" model: 17 7/8" (455 mm)

Width of appliance with mounting brackets installed (effective width)

2. TECHNICAL REQUIREMENTS

2.3 Installation cutout features: panel-ready bottom freezer

A Minimum cutout height

84" (2134 mm)

Cutout width

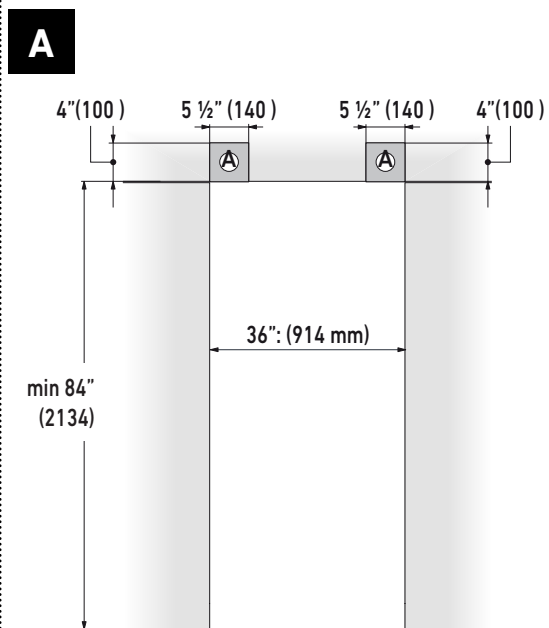
36" model: 36" (914 mm)

Minimum cutout depth

24" (610 mm) + panel thickness for flush installation

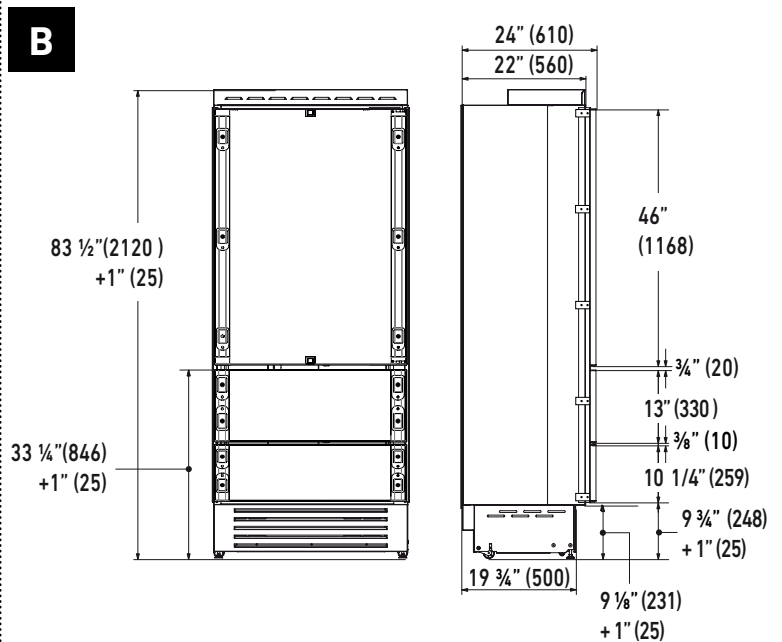
Area to be left clear for the anti-tipping brackets

5" (127 mm) for both right and left sides



B Appliance height

83 1/2" (2120 mm) + 1" (25 mm)



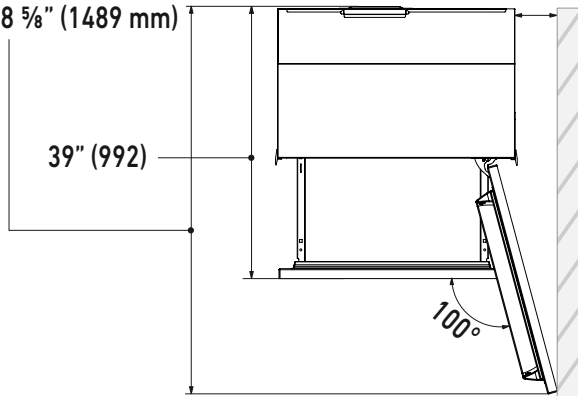
2. TECHNICAL REQUIREMENTS

Door-Swing Clearance

Minimum distance from the wall (hinge side)

36" model: 58 5/8" (1489 mm)

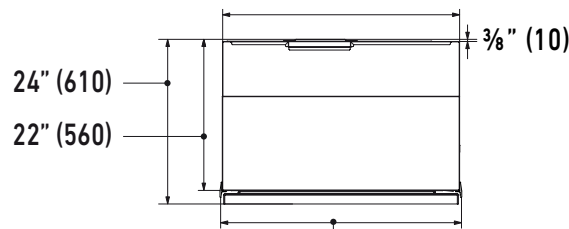
36" model: 6 1/4" (160 mm)



90° door swing available using part 90STOP

Width of appliance body

36" model: 34 7/8" (885 mm)



36" model: 35 7/8" (912 mm)

Width of appliance with mounting brackets installed (effective width)

3. PREPARING FOR THE INSTALLATION

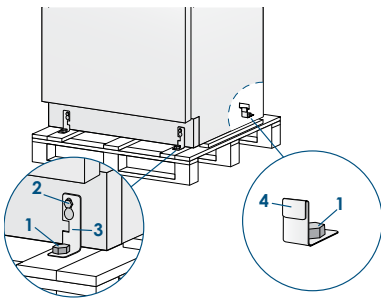
3.1 Transporting to installation site and unpacking



The appliance is very heavy. Exercise maximum caution during handling to avoid injury.



The appliance should always be transported in an upright position. Never lean the production its front side.



As this appliance is large and heavy, check the access to the site where it will be installed (door size, maneuvering space in stairwells, etc.) before transporting the appliance.

The appliance is attached to the base of the packaging (pallet) by four bolts which can be removed using a 19-mm (3/4") wrench.

We recommend using a manual transportation device to move the appliance to the installation site, and only removing the base of the packaging at this point.

The appliance should always be transported in an upright position.

If this is not possible, transport the appliance lying on its rear side. Once at the installation site, the appliance, which is equipped with four wheels, can be taken off the pallet and positioned in the installation area.

Proceed as follows:

➤ Remove the four bolts securing [1] the appliance to the pallet by means of a 19-mm (3/4") wrench or socket.

➤ Remove the fixing brackets [3] and [4].

➤ To release the front fixing bracket [3], loosen the rear wheel adjusting bolt [2] using a 13-mm (1/2") wrench or socket. Avoid straining this bolt one way or the other at its stop points so as to avoid damaging the rear leveling system.

Ensure that the front leveling legs are retracted, so that all four wheels are able to contact the floor for easiest maneuvering.

➤ Remove the appliance and place it on the floor using a suitable, heavy-duty hand truck from the back of the unit.

Be very careful to avoid any damage to floors. Delicate floors should be protected with plywood, heavy cardboard or panels of similar material.

➤ At this point, adjust the rear rollers down (clockwise on the leveling rod [2]) until they make contact with the floor, and raise the rear of the appliance enough so that it will roll freely

3.2 Electrical and water connection



The Built-in water filter cannot make any water which is not already suitable for human consumption safe to drink.

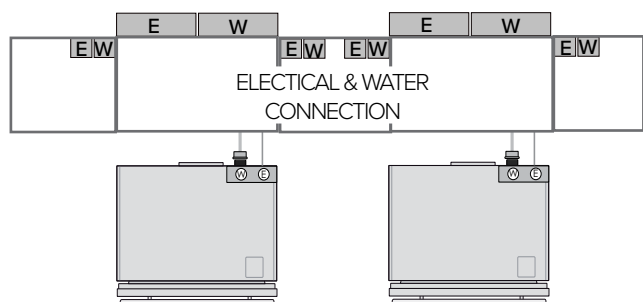


The appliance should be connected only to a potable water supply system.



Do not use extension cords or adapters. In the event that the water supply must be turned off after the appliance has been fully installed and connected to the water supply (if applicable), and is operational, disable the ice maker before the main water supply is shut off to prevent the appliance from entering a 'NO WATER IN' alarm state. Refer to the Use & Care Manual for instructions on disabling the ice maker.

• OVERHEAD VIEW •



Electrical or water connections located directly behind the appliance must be recessed. Do not put the water shut-off valve directly behind the appliance. It should be in an accessible location.

3. PREPARING FOR THE INSTALLATION

The appliances are delivered from the factory for operation at 110 V to 120V AC - 60 Hz (US and Canada).

They are provided with a suitable supply cable and plug to be connected to an appropriate 15 A socket to provide effective grounding.

A dedicated 15-A circuit breaker should also be installed and should be easily accessible, so that it can be easily switched off before any installation or maintenance is performed.

A 1/4" water line with an accessible shut-off valve must be supplied in order to connect to the water supply system (for appliances equipped with ice makers).

The appliance is provided with a water-adapter elbow which is suitable for the recommended water pressure and complies with the applicable food and water regulations.

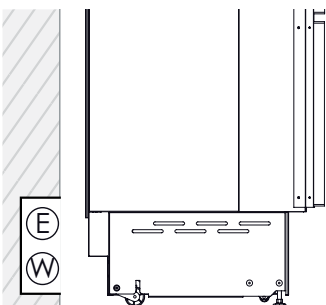
The water filter cartridge that is provided with the appliance should be installed according to the accompanying instructions. Please refer to the water filter installation instructions contained in the water filter kit. The solenoid connection on the appliance has a 3/4" diameter but metric threading (NPT). A standard threaded garden-hose connector such as a braided stainless-steel hose typically found at hardware stores will strip or damage the solenoid threads. We recommend using only the supplied 1/4" quick-connect elbow adapter for connecting a 1/4" copper or polyethylene source water line to the appliance.



Do not use extension cords and/or multiple adapters for the power supply connection.

ELECTRICAL AND WATER SUPPLY BEHIND THE UNIT

ALL UNIT



3.3 Energy: Alternatives and Home Automation

If energy is supplied through an alternative energy power source (solar, geothermal, etc.), or if home automation systems are installed with carrier signals in the power lines, it may be necessary to install an isolation transformer (not supplied) to prevent interference with the appliance's electronics.

ALL UNITS

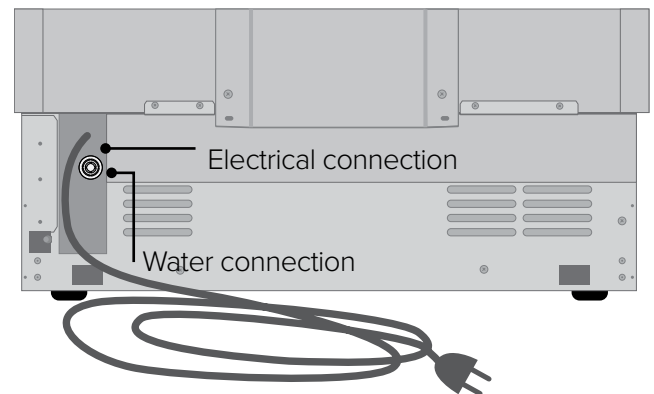
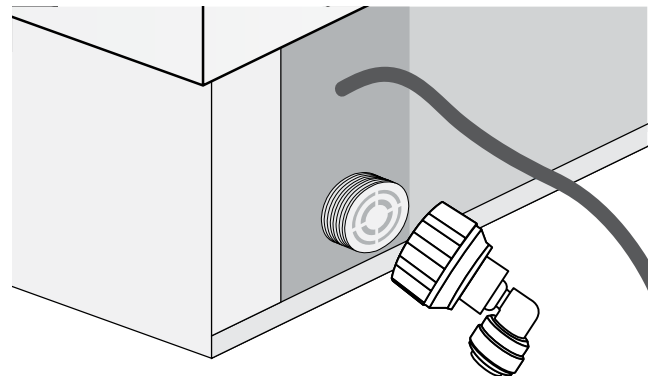


fig.1 Back of appliance

Proceed as follows:

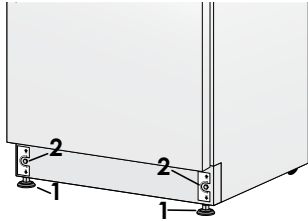
- > Unwind the electric cable, and connect it directly to the wall socket.
- > Make sure the appliance is in Stand-by mode and that all lights are off; if not, press the Unit button (⏻) to switch it off.
- > Connect the water cable behind the appliance [1].



3. PREPARING FOR THE INSTALLATION

3.4 Leveling

Adjust the appliance level by means of the front leveling feet **[1]** and the adjustable rear wheels **[2]**.



Proceed as follows:

➤ If necessary, remove the bottom plinth or grille (it is kept in position by magnets), and adjust the height of the leveling feet **[1]** using wrench.

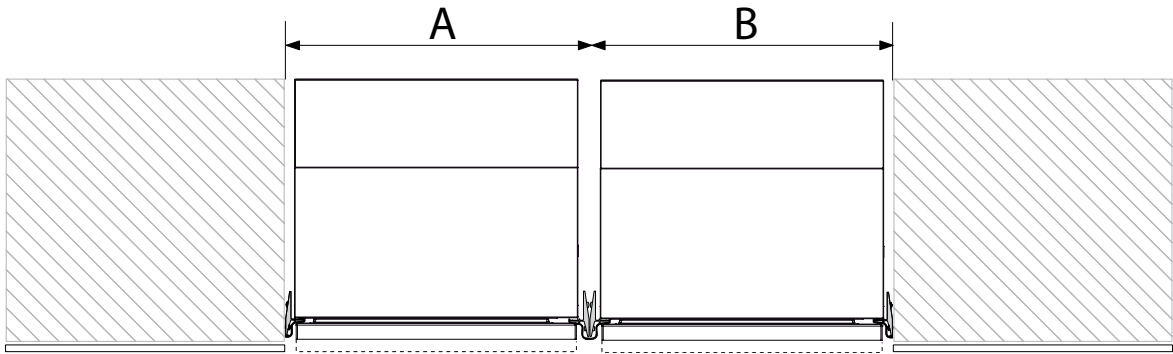
➤ Next, adjust the height of the rear wheels by turning the front adjusting bolts **[2]** clockwise (raise) or counter-clockwise as required, use a socket wrench (13mm).

Exercise caution if using a power driver for this, and lower the clutch to prevent damaging the leveling mechanism.

➤ Remount the bottom plinth or grille.

➤ If you have accidentally backed out the leveling rod so that it is disengaged from the leveling mechanism, you will need to pull the appliance forward to access the rear of the base; locate the locking nut, which will be loose under the appliance, and re-thread the rod through the leveling plate of the mechanism; then, reinstall the locking nut and attempt to level the appliance again.

4.1 Cutout dimension for combined installation (for all models except XPro)



CORRECT SPACING BETWEEN APPLIANCES SHOWN LATER IN THIS MANUAL.

		A			
		18"	24"	30"	36"
B	18"	36" (914 mm)	42" (1067 mm)	48" (1220 mm)	54" (1372 mm)
	24"	42" (1067 mm)	48" (1220 mm)	54" (1372 mm)	60" (1520 mm)
	30"	48" (1220 mm)	54" (1372 mm)	60" (1520 mm)	66" (1676 mm)
	36"	54" (1372 mm)	60" (1524 mm)	66" (1676 mm)	72" (1829 mm)

► Example: if appliance A is 24" and appliance B is 36" the required opening width will be 24"+36" = 60"


5. PANEL MOUNTING

5.1 Overlay door-panel layout

The dimensions of the panels are indicated in the table and drawings on the following pages. However, depending on the requirements for aligning with other kitchen structures, the door panel can be higher than the upper edge of the refrigerator door.

The panels must be mounted using special brackets which attach to adjustable devices provided on the door and drawer and with brackets that anchor and adjust the panel's vertical orientation.

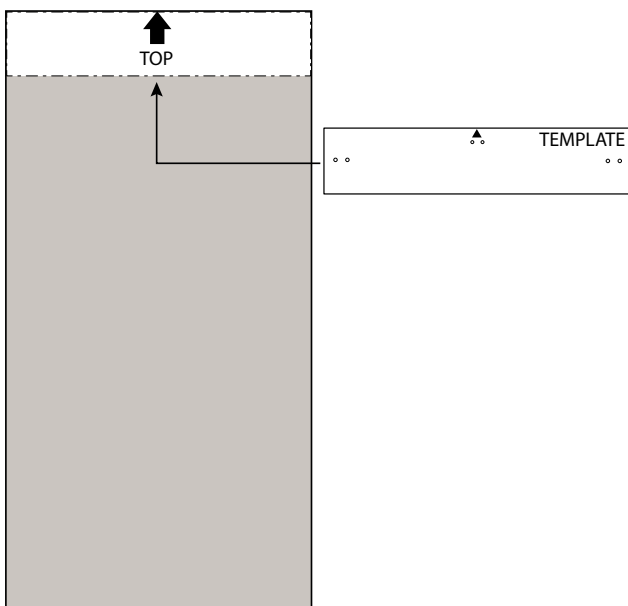
Brackets and fixing screws are provided with the appliance and must be applied to the panel as indicated.

 For shaker or framed panel styles, it may not be possible to affix the upper or lower leveling brackets, unless the cabinetmaker has made provisions for mounting them with additional material on the back of the panel.

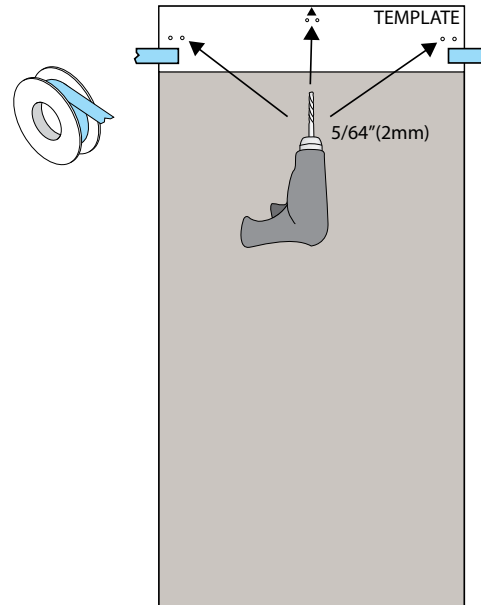
Proceed as follows:

To prepare the panels for mounting on the appliance, follow these steps on the **back of the panel**.

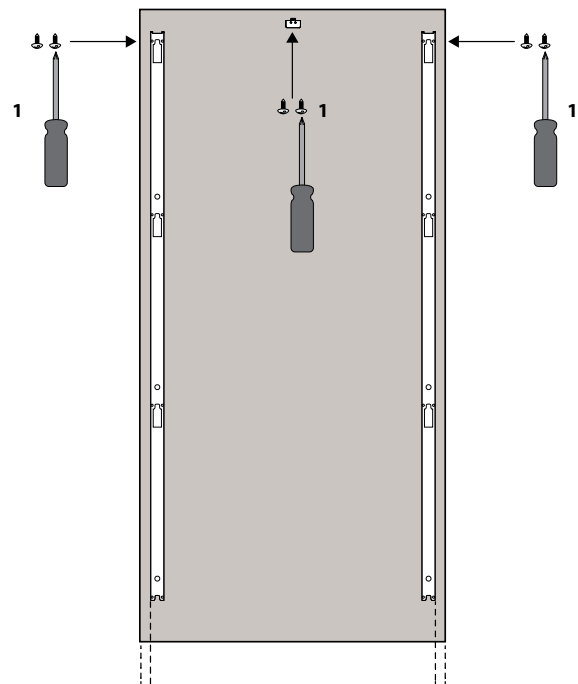
1 Place the template at the top of the door, making sure the arrow is pointing upwards.



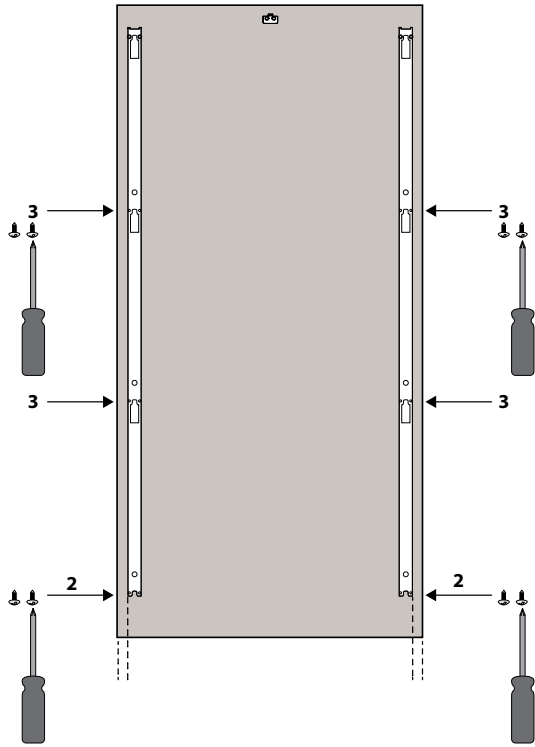
2 Secure the template in place using adhesive tape. Proceed to drill at the positions of the pre-punched holes.



3 After removing the template, attach the brackets to the top of the panel (Step 1).



- 4** Attach the brackets to the bottom of the panel, making sure they are aligned with the panel (Step 2).
Attach the brackets in the central part (Step 3).



5. PANEL MOUNTING

5.2 Center Drawer Panel Installation

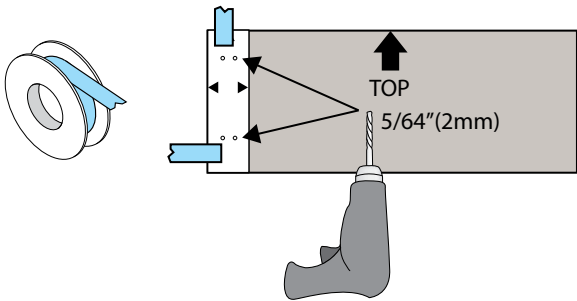
Proceed as follows:

To prepare the panels for mounting on the appliance, follow these steps on the **back of the panel**.

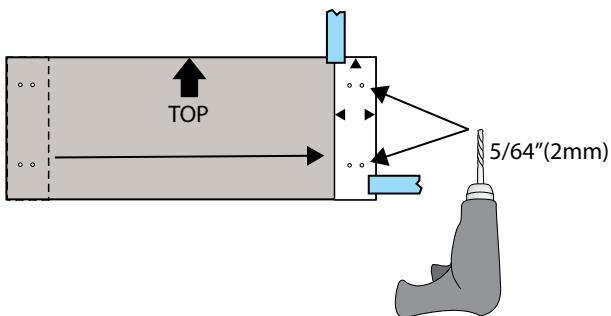
- 1 Place the template on the top of the drawer, making sure the arrow is pointing upwards.



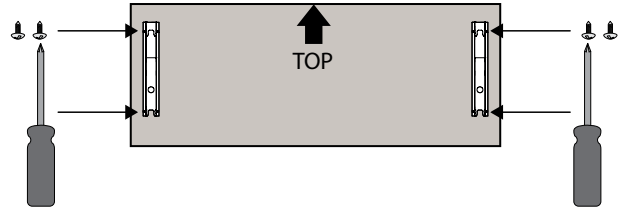
- 2 Secure the template in place using adhesive tape. Proceed to drill at the positions of the pre-punched holes. After drilling the panel, move the template to the opposite side of the panel.



- 3 After moving the template, secure it with tape and drill at the designated points.



- 4 After removing the template, attach the brackets to the panel.



5.3 Lower Drawer Panel Installation

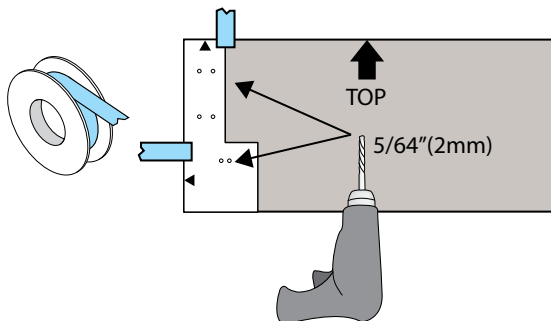
Proceed as follows:

To prepare the panels for mounting on the appliance, follow these steps on the **back of the panel**.

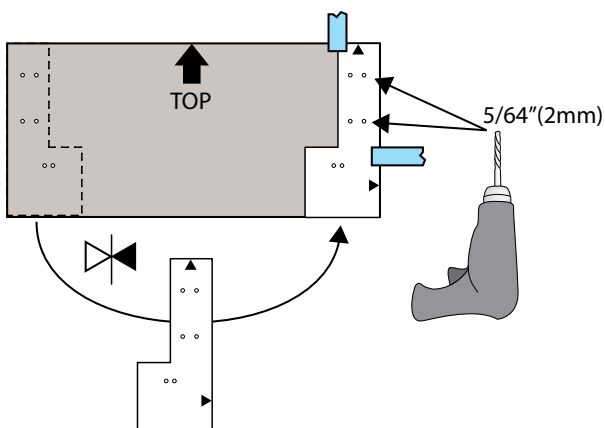
- 1 Place the template on the top of the drawer, ensuring the arrow is pointing upwards.



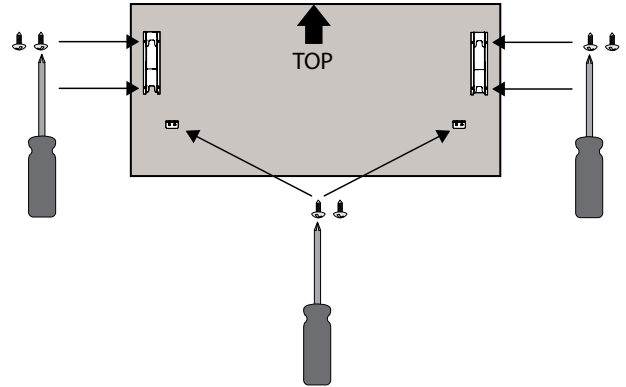
- 2 Secure the template in place using adhesive tape. Proceed to drill at the positions of the pre-punched holes. After drilling the panel, move the template to the opposite side of the panel.



- 3 After moving the template, secure it with tape and drill at the designated points.

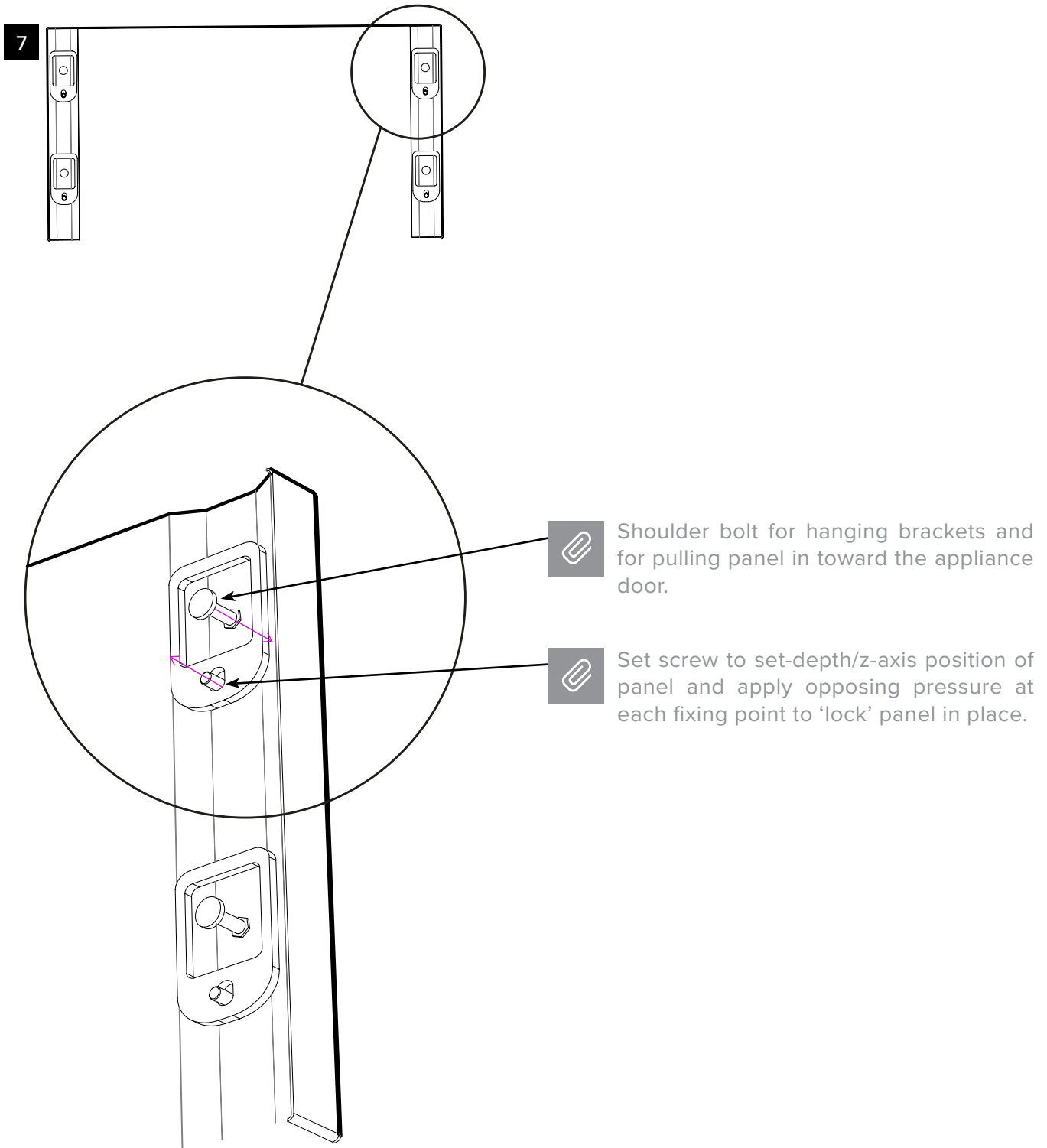


- 4 After removing the template, attach the brackets to the panel.



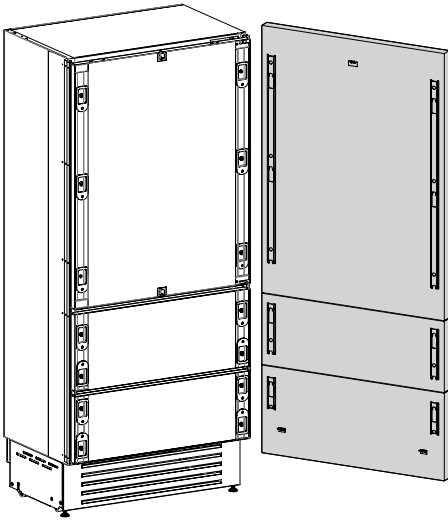
5. PANEL MOUNTING

► Prepare the appliance door for mounting the panels by threading the shoulder bolts into the recessed receivers and the set screws into the other hole **[7]**. Make sure the end with the Allen wrench socket is threaded into the door and not on the visible end. Thread it in far enough so that it is flush with the face of the appliance door so as to avoid interfering with hanging the panel. You will adjust these later.

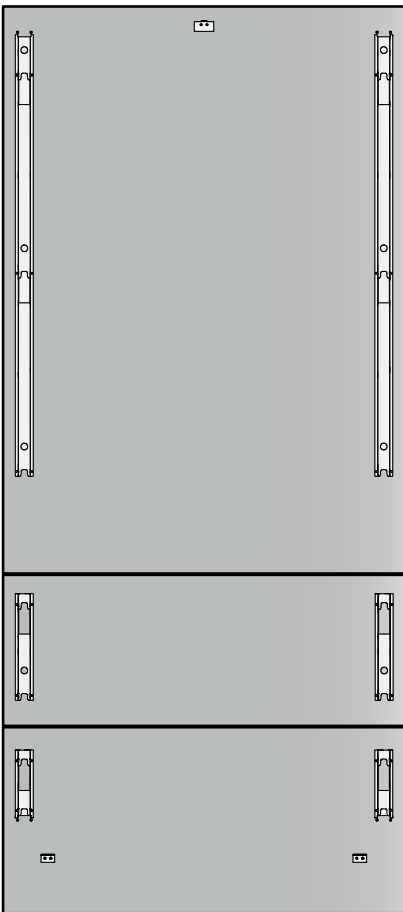


5. PANEL MOUNTING

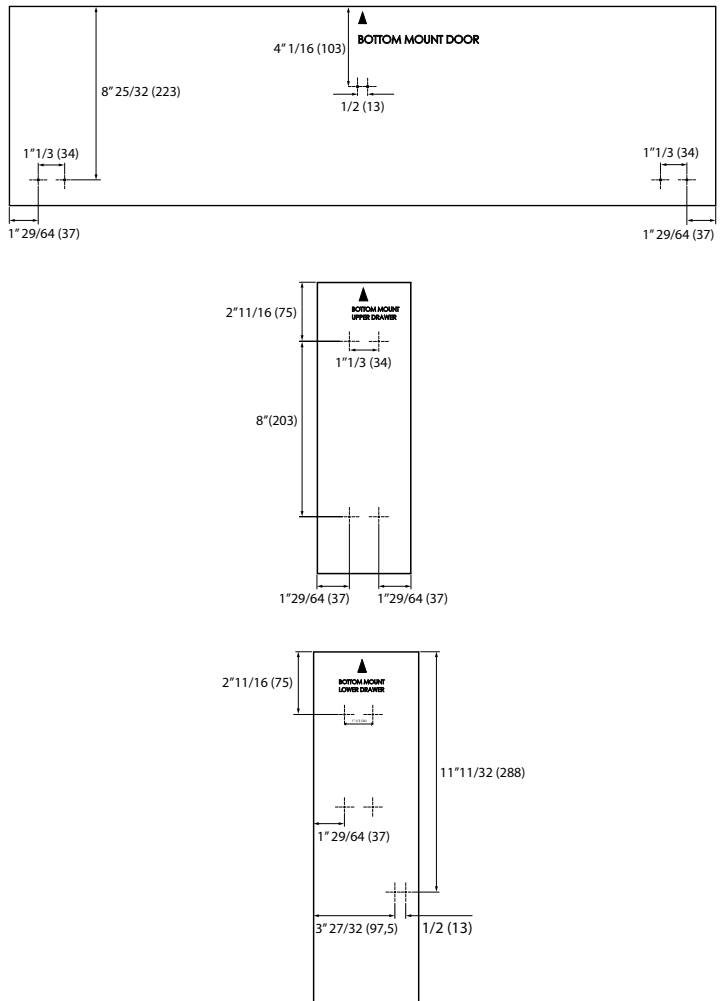
5.4 Overlay panel layout for bottom freezer model with two bottom drawers



Hole positions and bracket orientation:

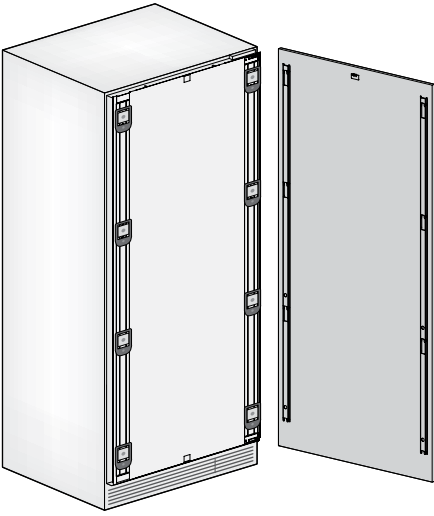


Template:

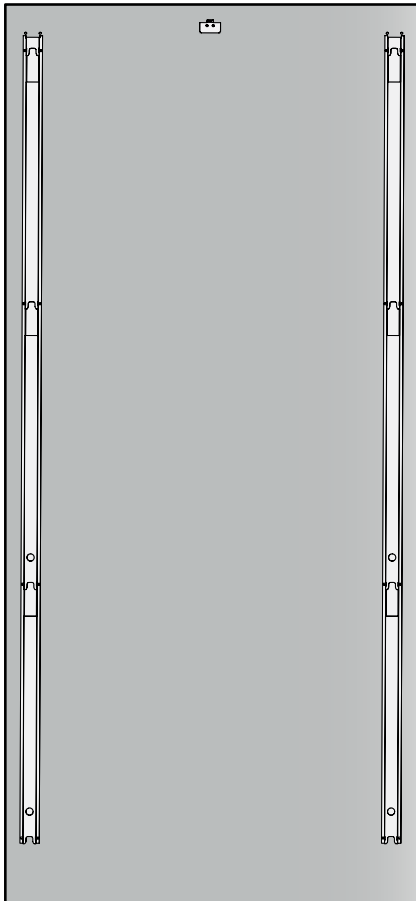


5. PANEL MOUNTING

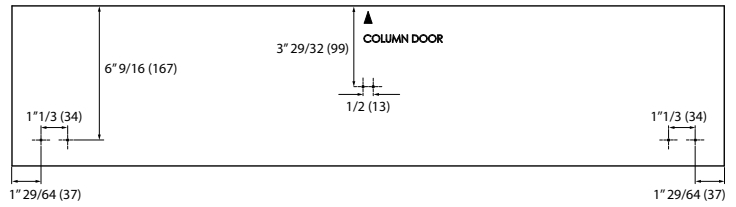
5.5 Overlay panel for all refrigerator / all Wine columns



Hole positions and
bracket orientation:

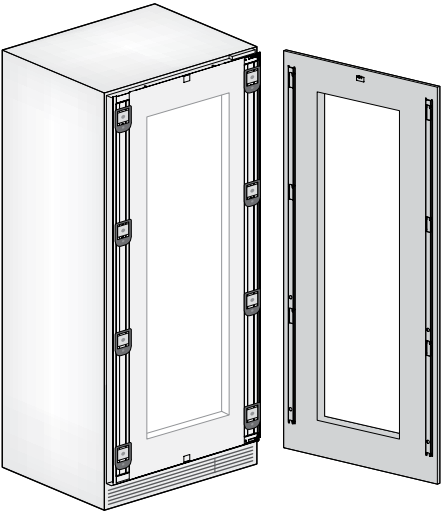


Template:

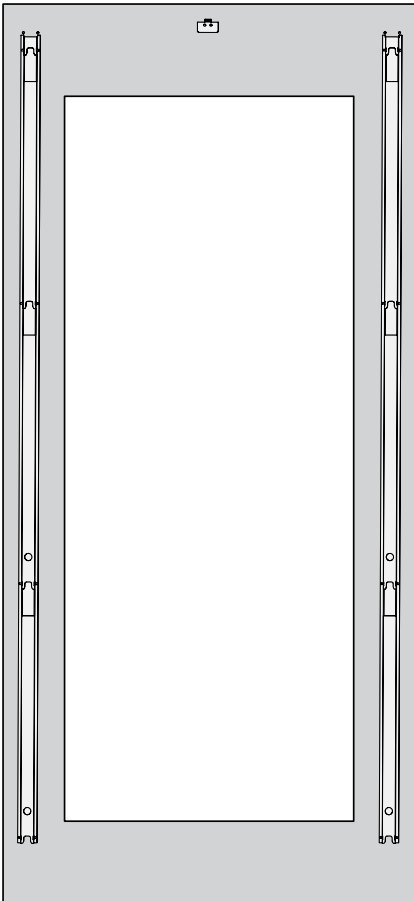


5. PANEL MOUNTING

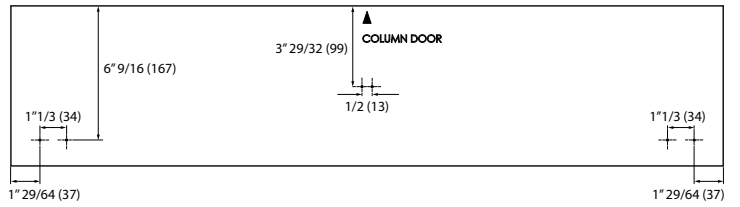
5.6 Overlay panel layout for Wine column with glass door



Hole positions and bracket orientation:



Template:



5. PANEL MOUNTING

5.7 Panels dimensions: bottom freezer / two bottom drawer

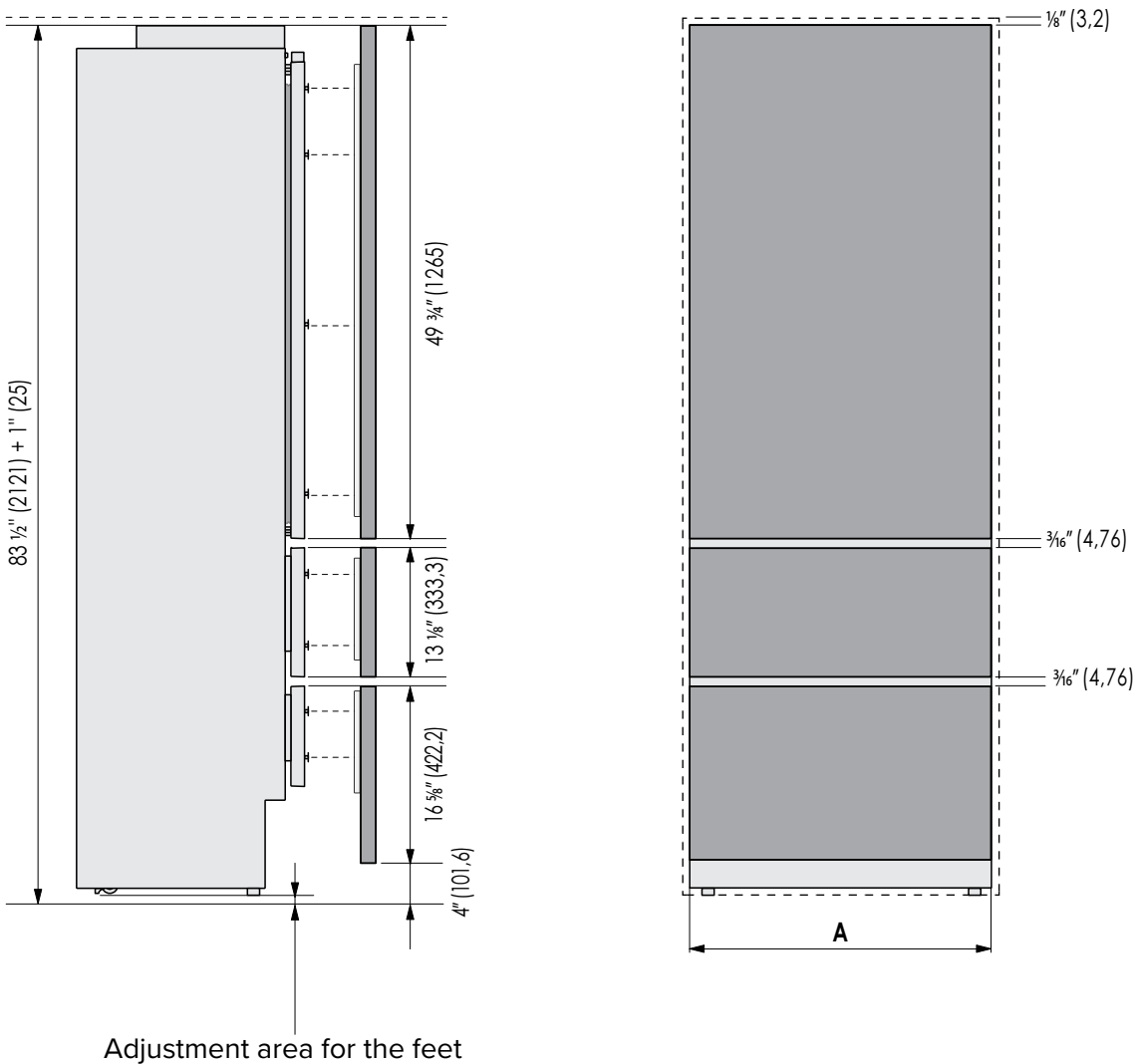
Panels thicknesses may range between 3/4" (18 mm) and 1-1/8" (28 mm).

The maximum door panel weight is 51 lbs. (23 kg), and the maximum drawer panels weight is 25 lbs. (11 kg).

Exceeding these weights could void your warranty for any service issues which can be attributed to overweight panels.

The hinging mechanism on Viking Refrigeration Product is considered to be 'Zero-clearance.' The door widths and drawer widths specified below assume that the minimum cutout width is being used, and a 1/8" (3.5 mm) reveal is desired around the panels. Adjust your panel dimensions according to your own design criteria considering your cutout width and your reveal. Minimum reveal/gap should not be less than 1/16" (1.5 mm).

WIDTH	DOOR/DRAWER WIDTH A
36"	35 3/4" (908)



5. PANEL MOUNTING

5.8 Panel dimensions all refrigerator / all freezer / wine column models

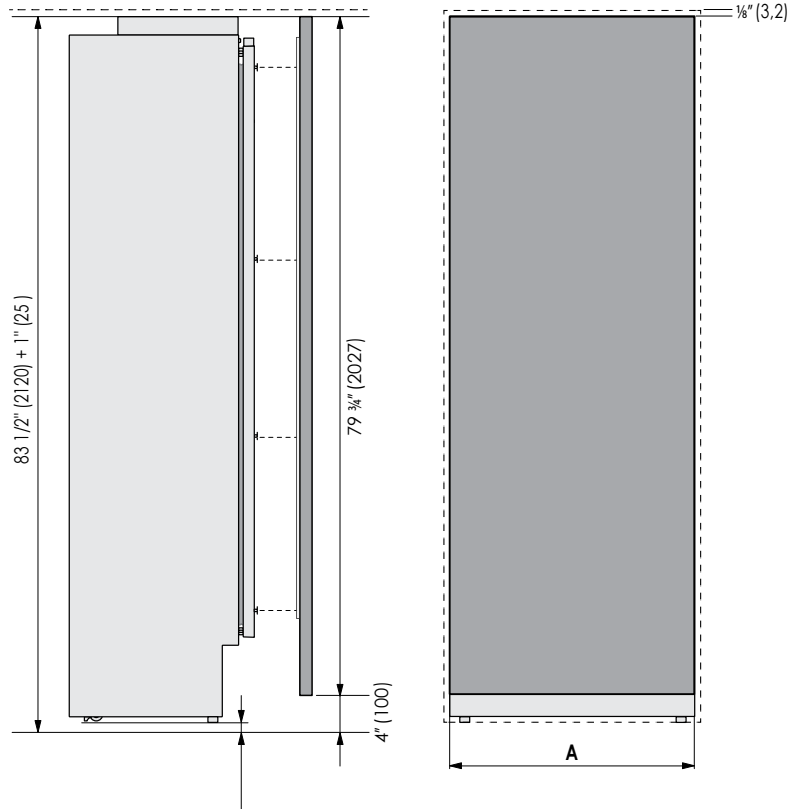
Panels with thickness ranging between 3/4" (19 mm) and 1-1/8" (28 mm).
 Door panels with max weight of 75 lbs. (34 kg)

Exceeding these weights could void your warranty for any service issues which can be attributed to overweight panels.

The hinging mechanism on Viking Refrigeration Product is considered to be 'Zero-clearance.' The door widths and drawer widths specified below assume that the minimum cutout width is being used, and a 1/8" (3.5-mm) reveal is desired around the panels. Adjust your panel dimensions according to your own design criteria considering your cutout width and your reveal. Minimum reveal/gap should not be less than 1/16" (1.5 mm).

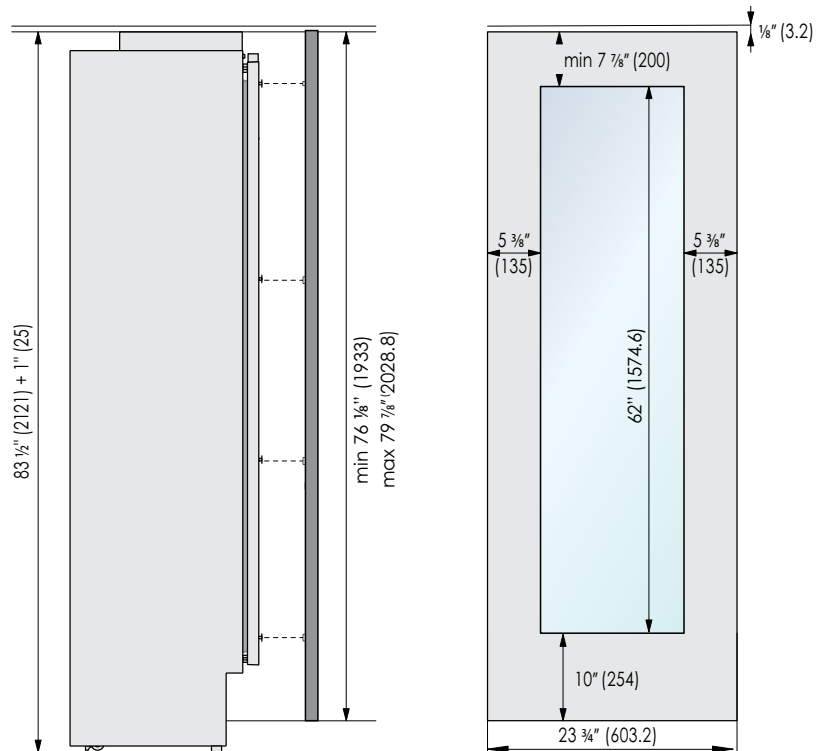
WIDTH	DOOR WIDTH A
36"	35 3/4" (908)
30"	29 3/4" (756)
24"	23 3/4" (604)
18"	17 3/4" (451)

For fridge and freezer columns



Adjustment area for the feet

For wine columns

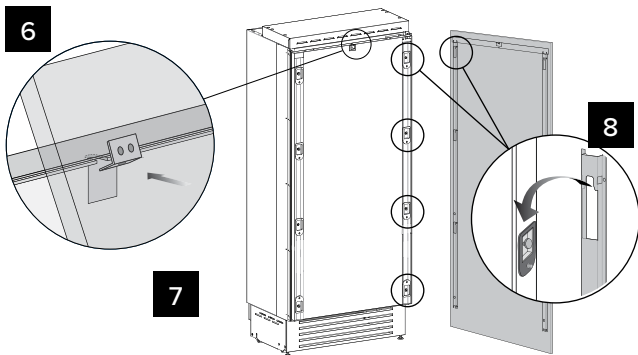


5. PANEL MOUNTING

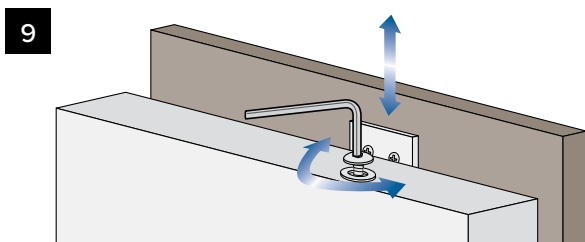
5.9 Mounting panels to the door

Once all brackets and small brackets have been applied to the panels, you can begin installing the bottom drawer.

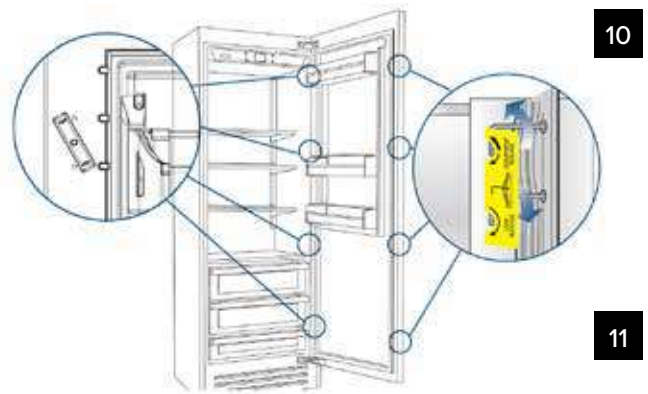
- > Hook the panel to the fixing devices starting from the top aligning brackets [6].
- > At this point, alignment between the panel and adjacent cabinets can be adjusted using the alignment brackets and small brackets [7] and [8].



- > Vertical alignment: tighten or loosen the screw in the brackets to raise or lower the panel [9].



- > Depth alignment: working from the inside of the door, after lifting up the magnetic seal on the handle side and rotating the plastic covers on the hinge side, adjust the panel position in the Z-direction by adjusting the shoulder bolts and setscrews with the 5/32" (4-mm) Allen wrench in combination with each other and finally locking each mounting position in place [10 & 11].



Once the front panel has been adjusted, check that the gasket has been repositioned correctly to ensure that the door/drawer is closing correctly and to avoid operational errors in the unit.

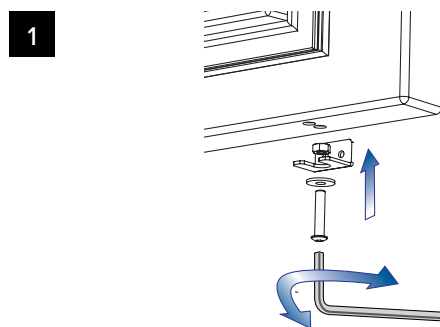
The product handle is not included in the appliance packaging but must be purchased separately. For handle installation, please refer to the instructions included in handle packaging.

5.10 Mounting panels to the drawer

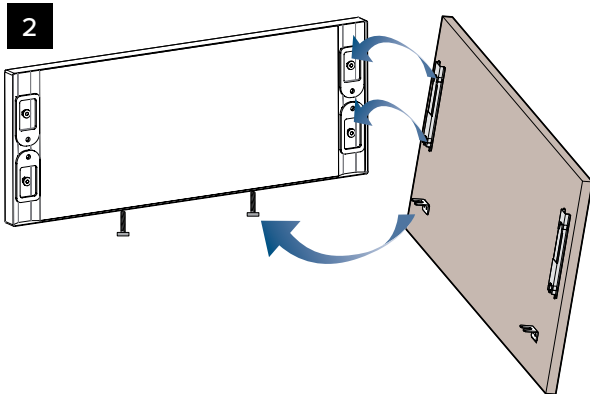
Once all brackets and handles have been applied to the panels, you can begin installing the bottom drawer.

Proceed as follows:

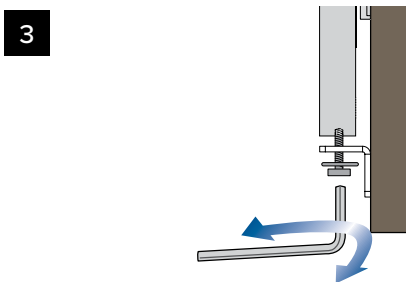
- > Partially tighten the screw to the nut in the appliance drawer [1].



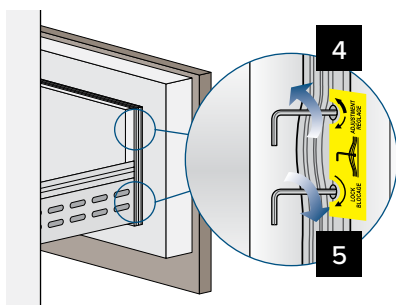
> Hook the bottom drawer panel starting from the adjustment bolts on the bottom [2].



> It is now possible to align the height of the panels to adjacent cabinets using the lower alignment bolts and brackets [3] and tightening or untightening the screws into position as needed. With the screw slightly tightened, manually move the panel sideways to align it to the other panels on the unit or other adjacent structures. Set the bottom adjustment bolts using the lock nut once you are satisfied with the height alignment.



> Depth alignment: working from the inside of the drawer, after lifting up the magnetic seal or rotating the cover plate where necessary, adjust the panel position in the Z-direction by adjusting the shoulder bolts and setscrews with the 4-mm Allen wrench in combination with each other and finally locking each mounting position in place [4 & 5].



5.11 Optional 1/8" panel reveal for multiple-unit installation

Note: when joining multiple units using overlay panels as per the instructions herein for single install, the resulting gap/reveal will be 3/16" between panels. If you would like to maintain ~1/8" of reveal between all the panel and gables, you can add 1/16" to the width dimension of the specified panel for each unit.

For example: joining a 24"+30"+36" unit:

Opening width: 24"+30"+36"=90"

Standard panel widths based on single-unit installations: 23-3/4"+29-3/4"+35-3/4"=89-1/4"

This leaves an overall space of 3/4" divided by 4 gaps = 3/16"

If you add 1/16" to each panel: 23-13/16"+29-13/16"+35-13/16"=89-7/16"

This would result in an overall space of 9/16" divided by 4 gaps = 9/64" (~1/8") between panels

6. INSTALLATION: ALL MODELS

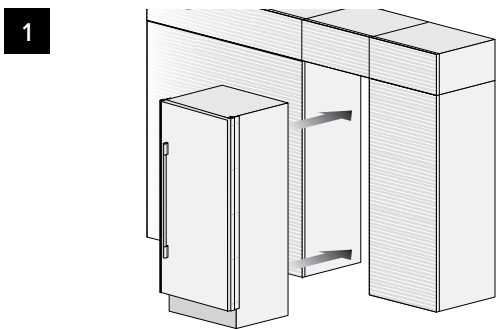
IMPORTANT: The following installation instructions apply to all Viking refrigeration models.

6.1 Built-in installation of single appliance

For a built-in installation, to cover gaps between the appliance and the adjacent cabinets and affix the appliance to the cabinetry, use the supplied 10 x bracket kit.

Proceed as follows:

> Push the appliance into the installation cutout [1].

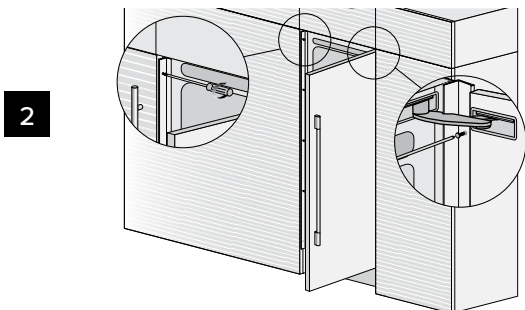


> Always mount front panel on door before pushing the unit into its final position inside the cutout or structure.

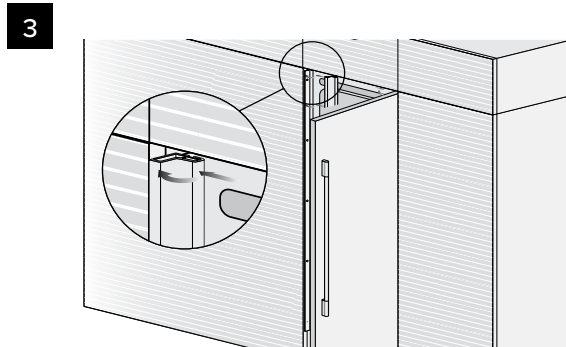
> Check the leveling of the appliance, and correct it by adjusting the feet and wheels.

> Secure the appliance to the adjacent cabinets using the 10 x spacer brackets. [2].

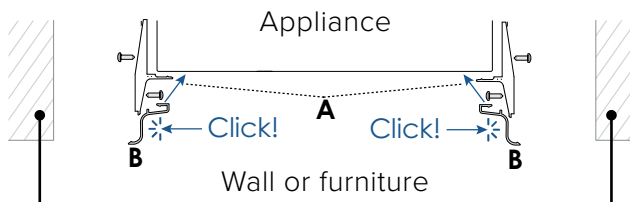
To make this operation easier, keep the door open.



> Mount the bracket covers: first insert them laterally, and then push firmly until you hear a “click” [3].



Mounting the side profiles:



A Plastic connecting brackets

B Profile trim cover

6.2 Built-in installation of two or more appliances

> The central profile is provided with freezer and wine-cellar columns.



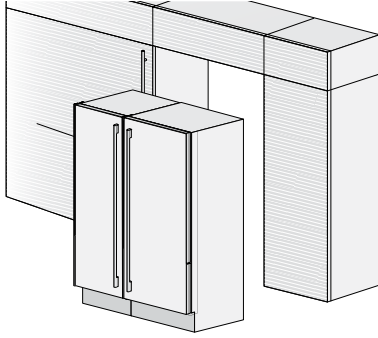
Plastic covering frames are provided for closing gaps between the appliance and the adjacent cabinets.

Proceed as follows:

> Position the appliances in front of the installation area, leaving enough space to work behind them [1].

6. INSTALLATION: ALL MODELS

1

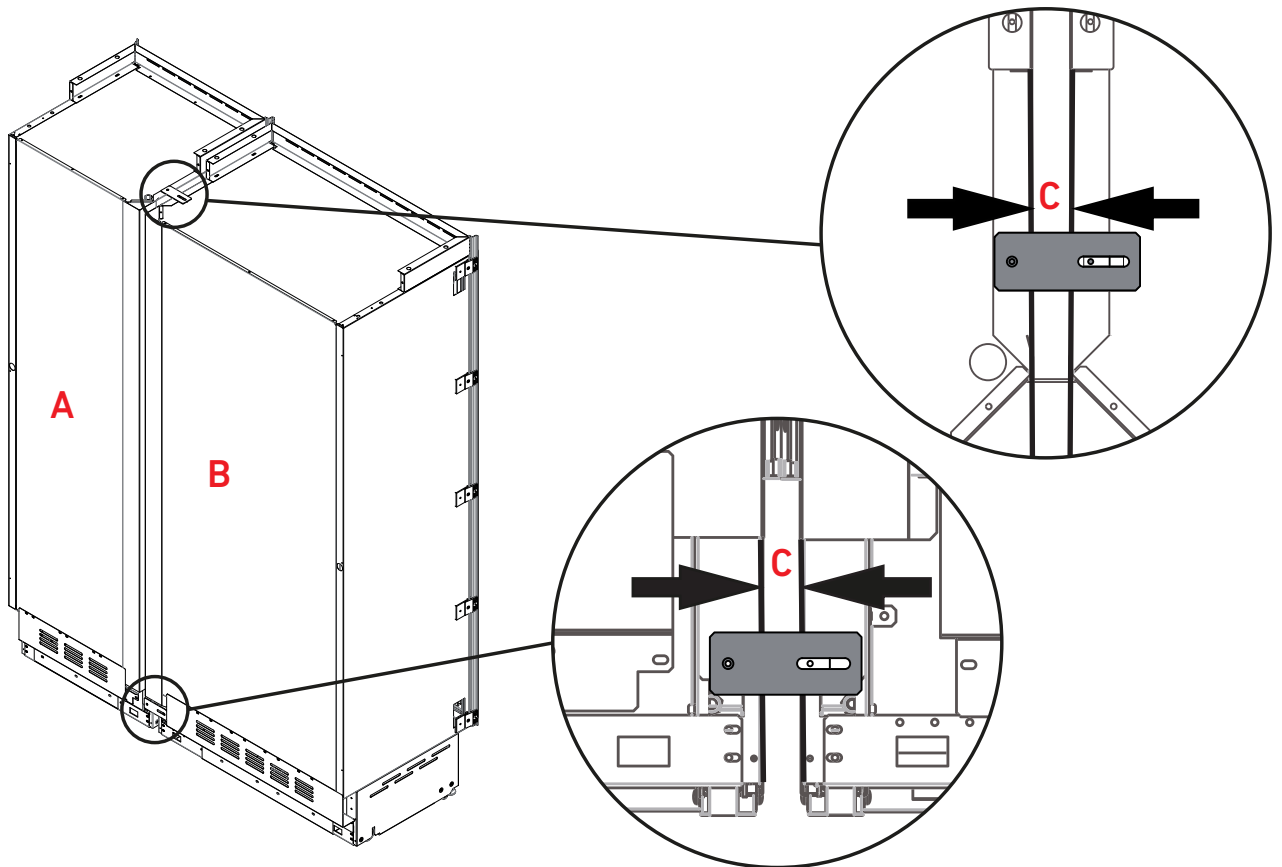


IMPORTANT: the appliances must be level with one another. This can most easily be achieved by aligning the holes of each appliance's mounting brackets with one another.

> Access the back of the appliances to mount the joining brackets; fix one side of the top, and lower brackets first to one of the appliances and then to the other [1] paying attention to the gap as per the table on the following pages.

2

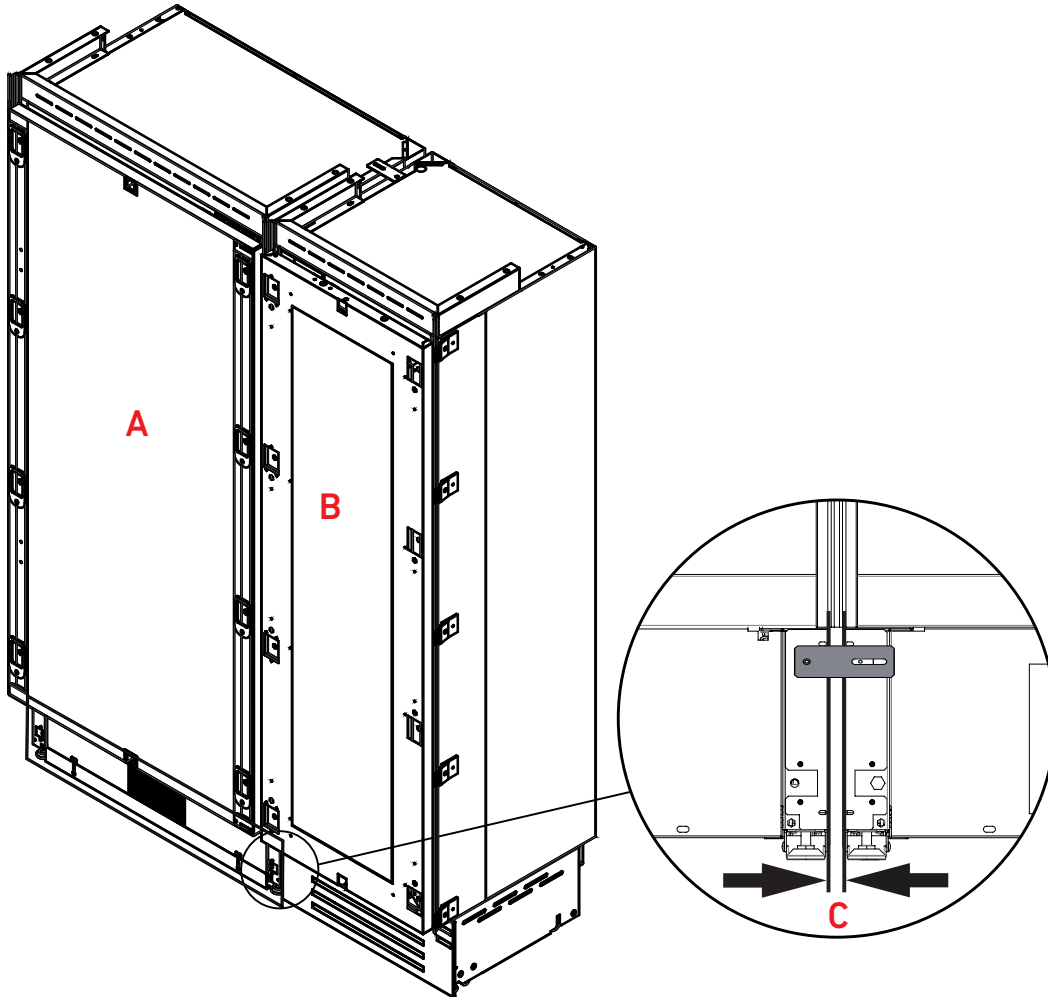
BOTTOM COMPRESSOR UNITS



6. INSTALLATION: ALL MODELS

Do the same at the lower front section of each appliance with the provided bracket **[2]**.

2 BOTTOM COMPRESSOR UNITS



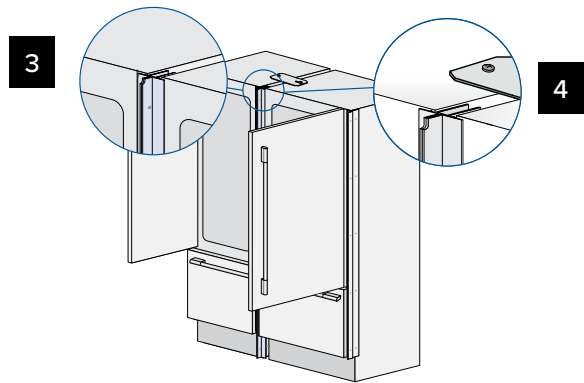
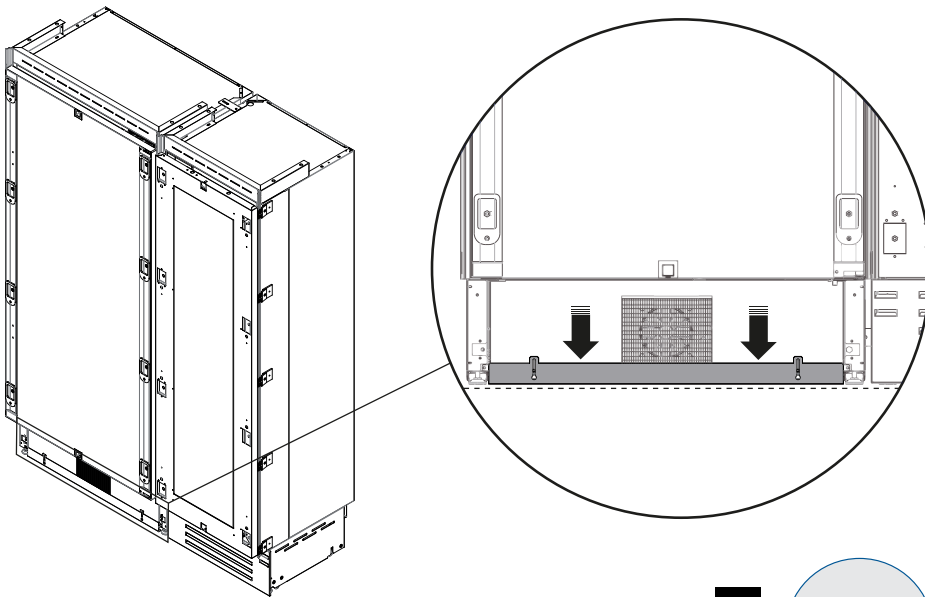
6. INSTALLATION: ALL MODELS

Distance between units (A+B)					
C		A			
		18"	24"	30"	36"
B	18"	7/8" (22 mm)	15/16" (23.5 mm)	1" (24.5 mm)	1" (25.5 mm)
	24"	15/16" (23.5 mm)	1" (25 mm)	1" (26 mm)	1 1/16" (27 mm)
	30"	1" (24.5 mm)	1" (26 mm)	1 1/16" (27 mm)	1 1/8" (28 mm)
	36"	1" (25.5 mm)	1 1/16" (27 mm)	1 1/8" (28 mm)	1 1/8" (29 mm)

Once the appliances have been adjusted and properly leveled, loosen the two screws holding the sealing plate in position.

Lower the plate until flush with the floor, and re-tighten the screws. This will ensure optimization of the airflow through the condenser, which is necessary for proper operation.

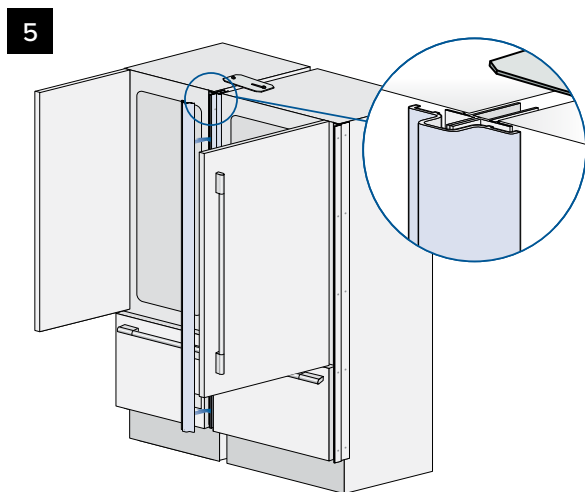
This table is a reference for the required space at the back of the units between the appliance bodies when installing the metal brackets from the joining kit. This space between the bodies will occur naturally when connecting the units at the front using the supplied plastic mounting brackets. The table is a tool to help you ensure that the space between the units is consistent from front to back. Example of why this is important: if the space at the back between the units is wider than the space at the front, the drawers may collide with each other when fully opened.



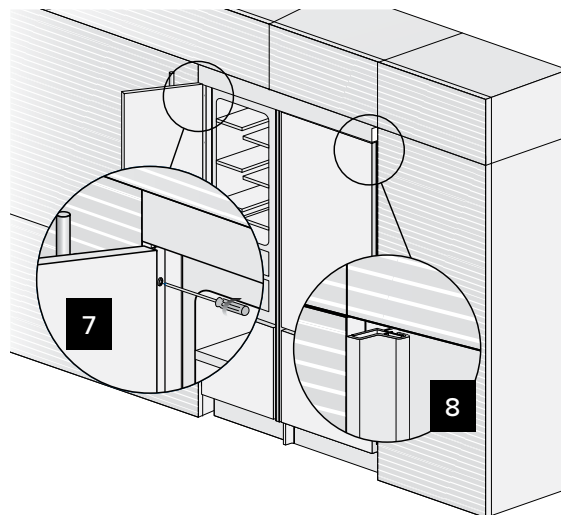
➤ Next, join them at the front by attaching the plastic connecting brackets with the supplied screws **[3]**. We recommend using two screws for connecting each bracket; one from each side **[4]**.

6. INSTALLATION: ALL MODELS

➤ Finish off by mounting the central profile cover onto the central profiles by pushing it until you hear a click **[5]**.



➤ Mount the covering frames onto the profiles; first insert them laterally, and then push firmly until you hear a “click” **[8]**.



➤ Once completed, push the units into their final position **[6]**.

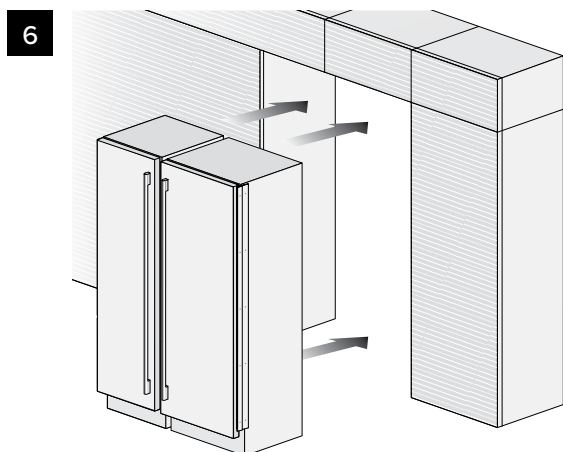
Always mount front panels on door before pushing the unit into its final position inside the cutout or structure.

➤ Check the leveling of the appliance, and correct it by adjusting its feet and wheels.

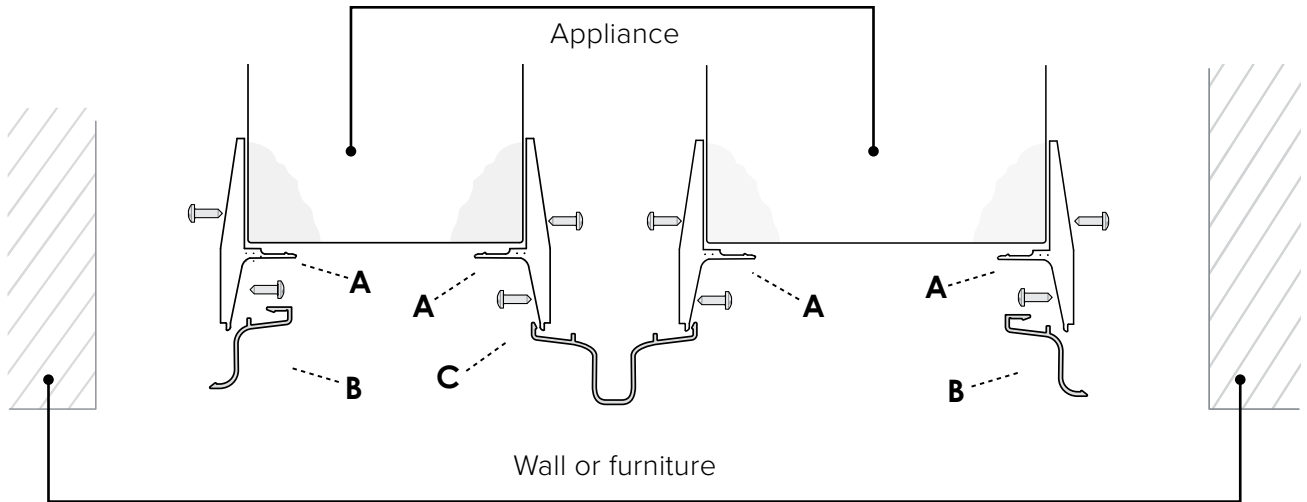
➤ Secure the appliance to the adjacent cabinets by fixing with the supplied brackets on the appliance **[7]**. To make this operation easier, keep the door open.



Exercise caution, as appliances will be front-heavy and may tip before they are secured to the adjacent furniture.



Mounting the side and center profiles:



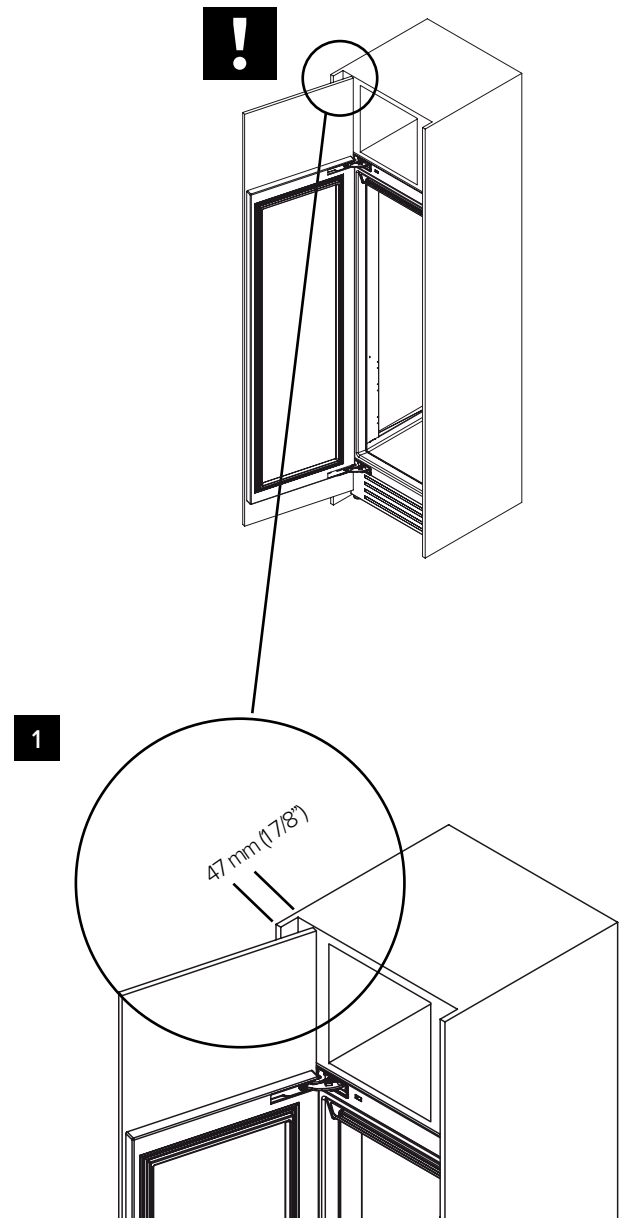
- A** - Plastic mounting/connecting brackets
- B** - Profile trim cover (side)
- C** - Profile trim cover (center)

! 6.3 Maximum cabinet depth over panel-ready appliance with single door panel

It is possible that the design of the kitchen and, in particular, of the cutout where the panel-ready appliance will be fitted includes a cabinet right above the refrigerator itself that must be closed with the same panel mounted on the panel-ready refrigerator door.

In this case, **the depth of the cabinet above the appliance must not exceed the depth of the appliance without the door [1].**

This will allow the panel attached to the refrigerator door to open correctly without interference during its rotation of up to 100°.



7. COMPLETING THE INSTALLATION

7.1 Anti-tipping safety assembly

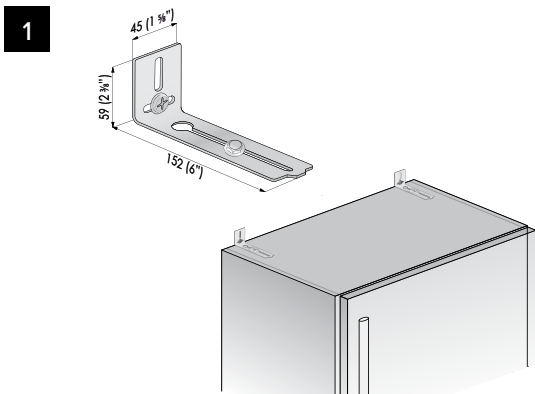


If the appliance(s) is not connected through the side profile trims to secured cabinetry, you must install the anti-tip brackets to ensure the product does not fall forward during use and cause damage or injury. Failing to secure the appliance(s) securely will void any warranty claim attributable to a tipping situation.

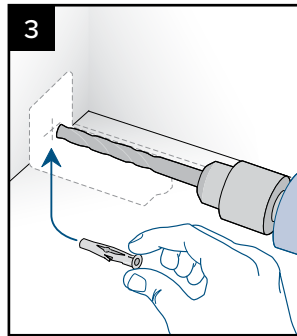
Proceed as follows:

> The brackets should be applied as illustrated using the provided screws. If using the anti-tip brackets, bolt into wood framing or concrete using a lag bolt; drywall will not hold the weight of the appliance.

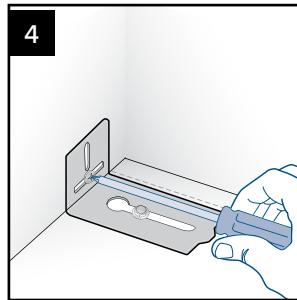
Place a bracket on the top of the appliance aligning it with the fixing holes and against the wall [1].



> Drill the wall with an 8-mm (3/8") bit, and insert the expansion plug [3].

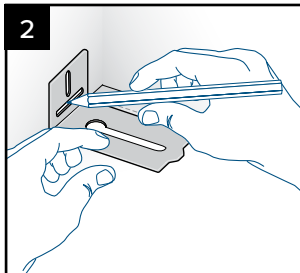


> Reposition the bracket, and fix it first to the cabinet and then to the wall [4].



ALL MODELS

> Mark the position of the holes on the wall [2].



ALL MODELS

7. COMPLETING THE INSTALLATION

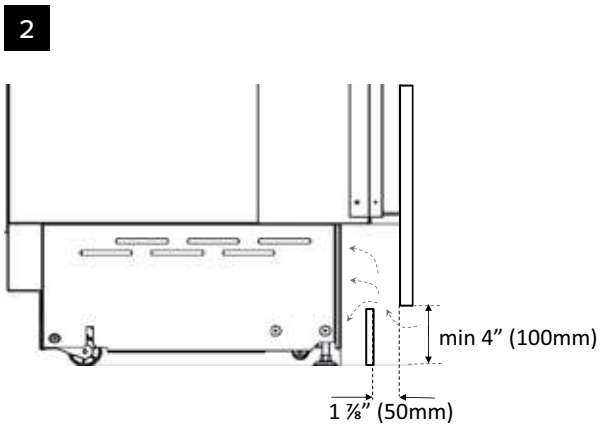
7.2 Ventilation

ALL MODELS

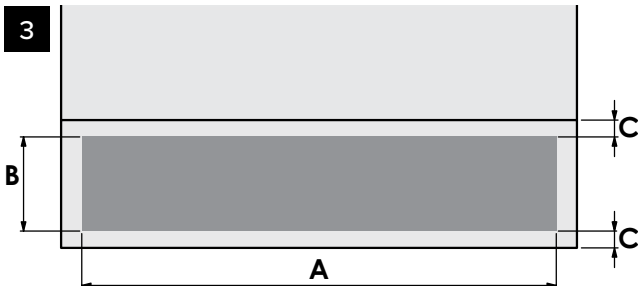
A forced-air system assures ventilation through a grille secured to the unit with magnetic plates, positioned in the lower front part of the unit [1].



If the kitchen cabinet includes a kickplate, it must be placed in such a way as to ensure optimal airflow [2].

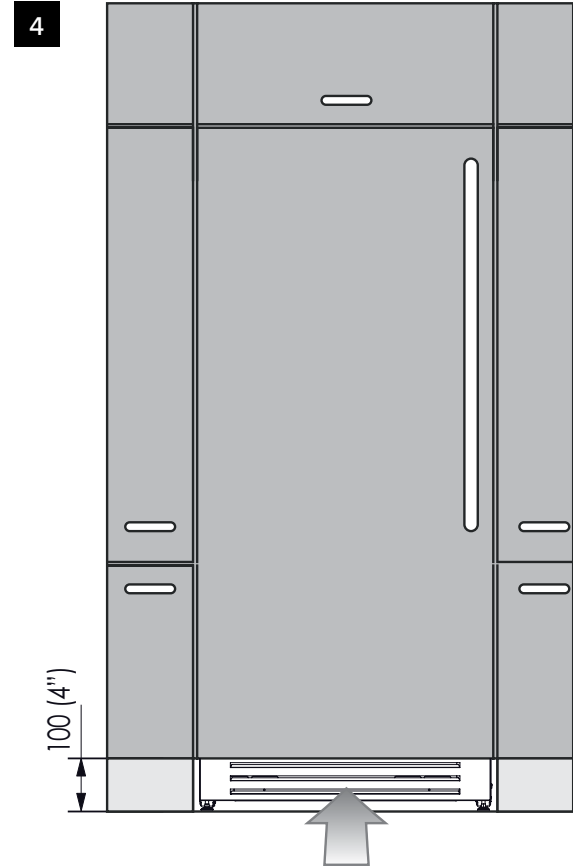


If placing a kickplate differently from picture [2], the kickplate must have vents/openings with an area of at least 50% of the area delimited by dimensions A and B in picture [3].



	36 "	30 "	24 "	18 "
A	33 7/8" (860)	29 1/8" (740)	22" (560)	16 1/8" (410)
B	> 4" (100)			
C	3/8" (10)			

The condenser must be cleaned on a regular basis. In order to clean it, the front grille must be accessible [4].

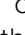


7. COMPLETING THE INSTALLATION

7.3 Post-installation checklist


- ✓ Check that the front leveling feet have been properly installed.
- ✓ Check that the connection to the water system does not have any leaks and that the shut-off valve is easily accessible.
- ✓ Check that the electrical connection is correctly installed and that the socket and/or breaker are easily accessible.
- ✓ Check that the appliance is perfectly aligned with adjacent structures.
- ✓ Check that all adhesive tape and external or internal temporary protective devices have been removed.
- ✓ Check that the doors close perfectly and that the drawers and shelves slide smoothly.

7.4 Start-up

- > To turn all the appliance compartments on, press the Unit  button for three seconds. The display will show the message "Initial test" for approximately two minutes. After this phase, the compressors will start up and remain on until the set temperatures for the compartment are reached.
- > If the appliance is provided with an Ice Maker, make sure that the water filter cartridge is installed prior to switching it on (unless water supply source is already filtered by other means such as reverse osmosis).



- > Purge air from the water lines by performing the 'Manual Clean' function from the Menu->Functions->Water Filter options. You may need to complete this sequence several times until you stop hearing air sputtering from the ice maker fill tube (Refer to your Use & Care Manual).
- > Once you are satisfied that the system has been

purged of air, switch the Ice Maker on in the ice maker menu item  of the appliance functions. Please refer to the Use & Care Manual for more details.

- > For further information on operating the appliance, please refer to the User Manual.



If messages such as Fridge too warm, Freezer too warm appear at the first start, or if sound signals are activated, this indicates that the appliance has already previously started the cooling process. If this is the case, deactivate any possible acoustic signals by pressing the Alarm button, close the door, and wait until the set temperature is reached. Allow the appliance to run/cool for at least 24 hours. If the set temperatures have not been reached within 24 hours, contact service.



It is necessary to let the unit reach the correct temperature before foods are stored inside.

Viking is constantly researching new ways to improve the features and the design of its products; therefore models are often upgraded and revised.

Viking Range, LLC
111 Front Street
Greenwood, Mississippi 38930 USA (662) 455-1200

For product information, call 1-888-(845-4641)
or visit the our web site at vikingrange.com