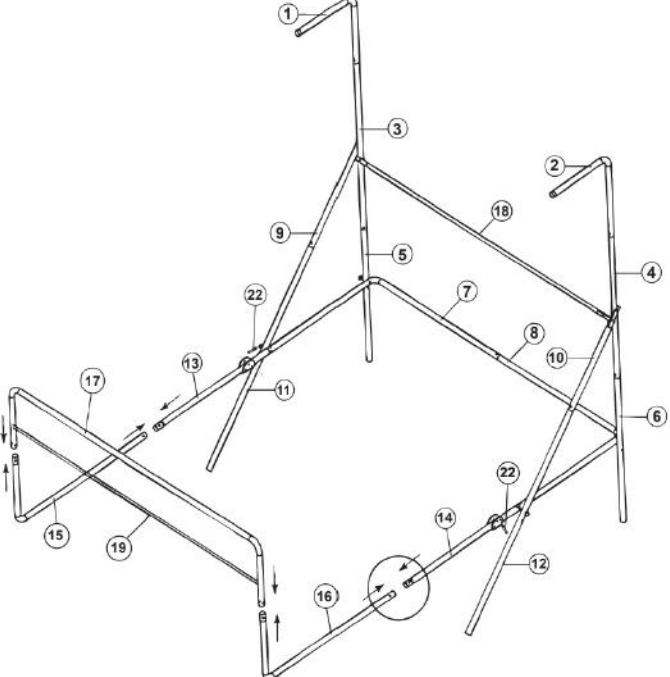
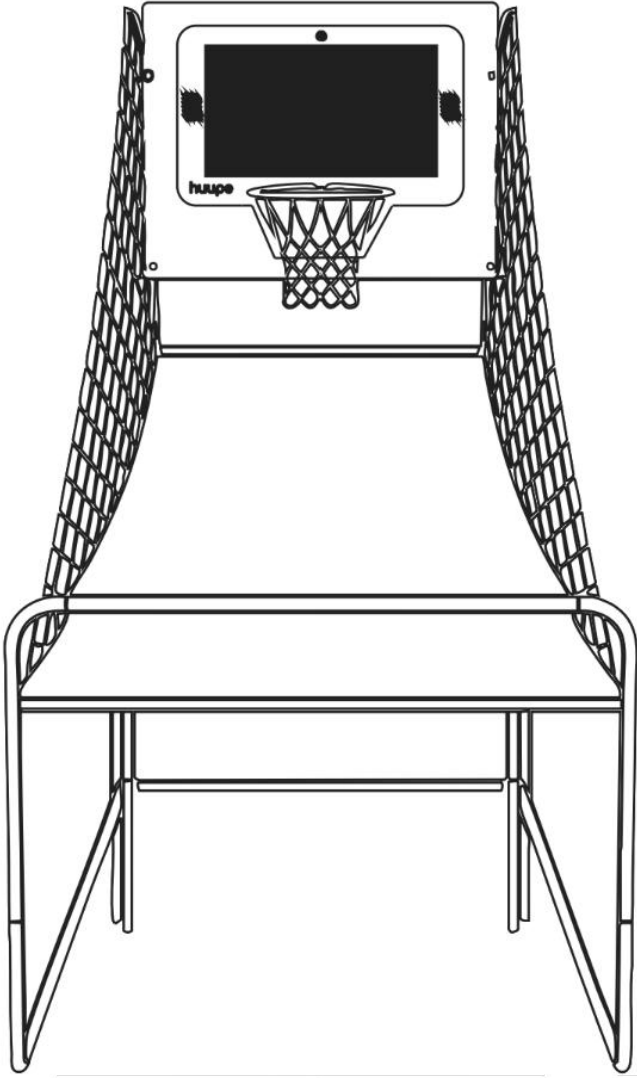


huupe arcade






























huupe arcade

Welcome to your huupe mini at home arcade! This is one of the most fun experiences you can possibly have with your huupe mini. Please find our instructions below. We've tried our best to make this easy and we have individually labeled everything so there is no confusion.

You should only have to install this once! It folds up and can store nicely and without taking up much space when not in use.

Please follow the instructions below!

Please keep screws, bolts, washers and nuts in their respective labeled bag throughout the process so you know which are which. We often refer to each screw by the bag they come in throughout the instructions.

1  Board L Tube 1 1 Piece	2  Board L Tube 2 1 Piece	3  Left Board Tube 1 Piece	4  Right Board Tube 1 Piece	5  Left Tube 1 Piece
6  Right Tube 1 Piece	7  Left L Tube 1 Piece	8  Right L Tube 1 Piece	9  Support Tube 1 1 Piece	10  Support Tube 2 1 Piece
11  Mounting Tube 1 1 Piece	12  Mounting Tube 2 1 Piece	13  Ramp Tube 1 1 Piece	14  Ramp Tube 2 1 Piece	15  Ramp L Tube 1 1 Piece
16  Ramp L Tube 2 1 Piece	17  Ramp U Tube 1 Piece	18  Horizontal Tube 1 1 Piece	19  Horizontal Tube 2 1 Piece	20  Ramp Net 1 Piece
21  Allen Key & Wrench 1 Piece	22 Pre-Installed  Lock Pin 2 Pieces	23  Backboard 1 Piece	24  M6 x 29mm Bolt 6 Pieces	25  M6 x 35mm Bolt 2 Pieces
26  M6 x 42mm Bolt 4 Pieces	27  M6 x 48mm Bolt 4 Pieces	28	29	30

ASSEMBLY INSTRUCTIONS

1. Find a clean, level place to begin the assembly of your hupe arcade. We recommend that two adults work together to assemble this basketball game.

2. Remove all the parts from the box and verify that you have all of the listed parts as shown on the Parts List below. Carefully cut or tear the four corners of the box so that the bottom of the box can be used as your work surface.

FIG. 1 & 2

3. Attach the Left Board Tubes (#3) to the Left Tube (#5) and then Right Board Tube (#4) to the Right Tube (#6) using spring lock as shown in FIG.1.

4. Attach the Support Tubes (#9 and #10) to the Mounting Tubes (#11 and #12) using spring lock as shown in FIG.2

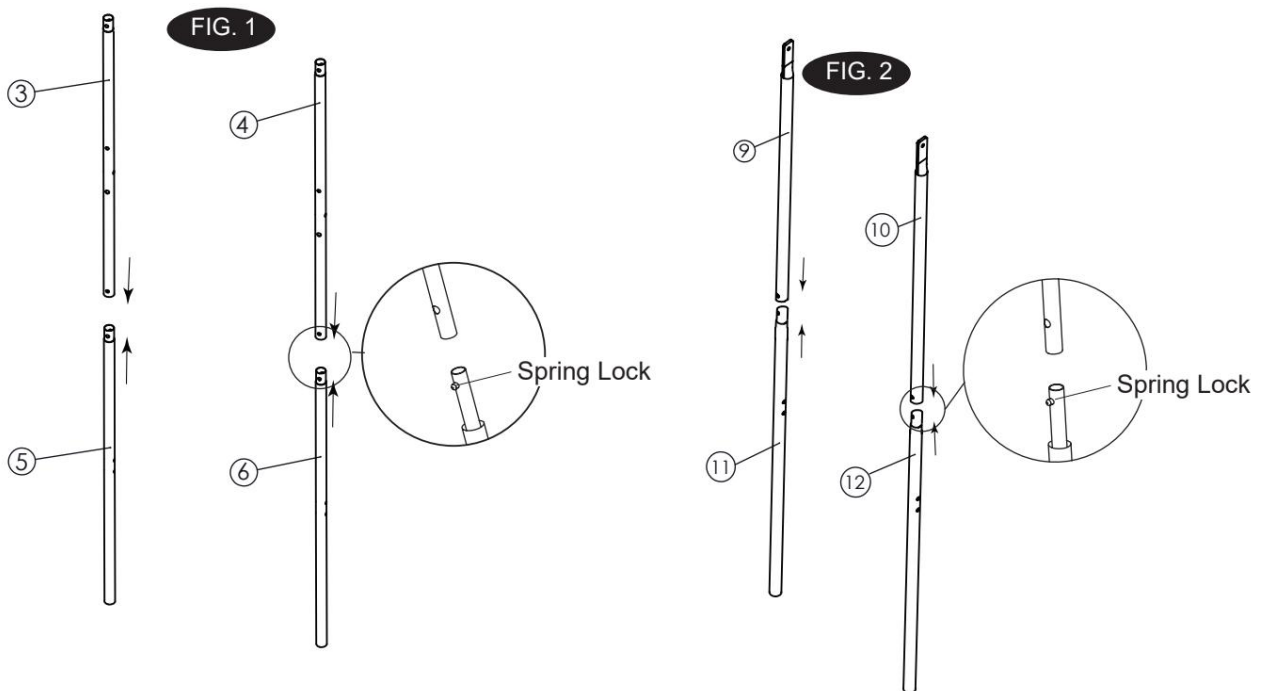


FIG. 3

5. Attach the Left and Right L Tubes (#7 and #8) together using spring lock as shown in FIG.3

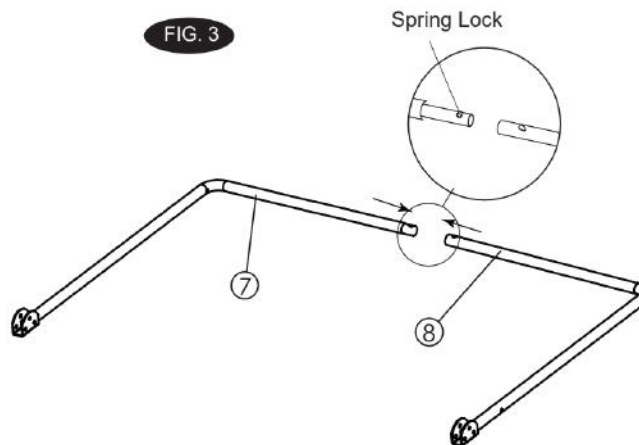


FIG. 4

6. Attach the Left and Right L Tubes (#7 and #8) to the Left and Right Tubes (#5 and #6) using Bolts, Washers, and Nuts (#27), and then attach the Left and Right L Tubes (#7 and #8) to the Left and Right Mounting Tubes (#11 and #12) using Bolts, Washers, and Nuts (#27) as shown in FIG.4A & 4B.

7. Attach the Support Tubes (#9 and #10) to the Board Tube (#3 and #4) using Bolts, Washers, and Nuts (#24) as shown in FIG.4C, repeat this step for the other side. Note: Make sure the spring lock is face down.

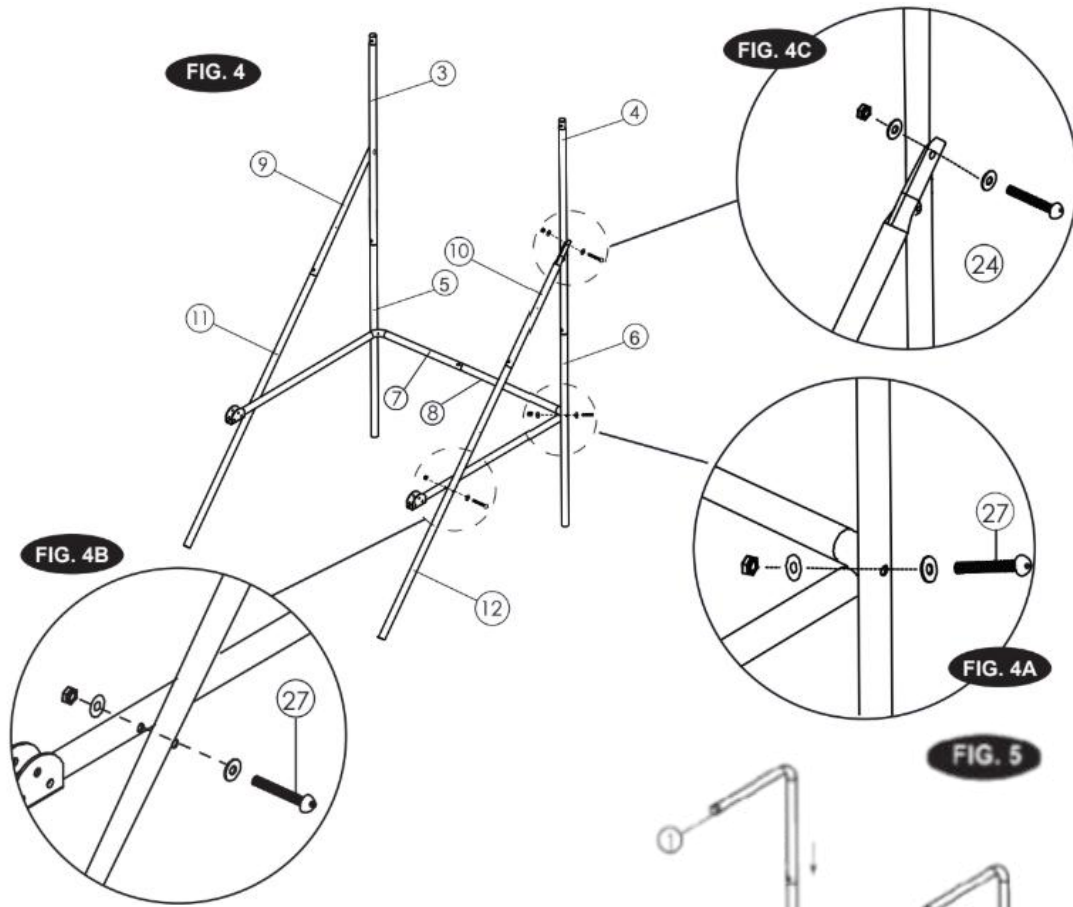


FIG. 5

8. Attach the Horizontal Tube (#18) to the Board Tubes (#3 and #4) using Bolts, Washers, and Nuts (#24) as shown in FIG.5. And then insert the Board L Tubes (#1 and #2) to the Board Tubes (#3 and #4) as shown in FIG.5.

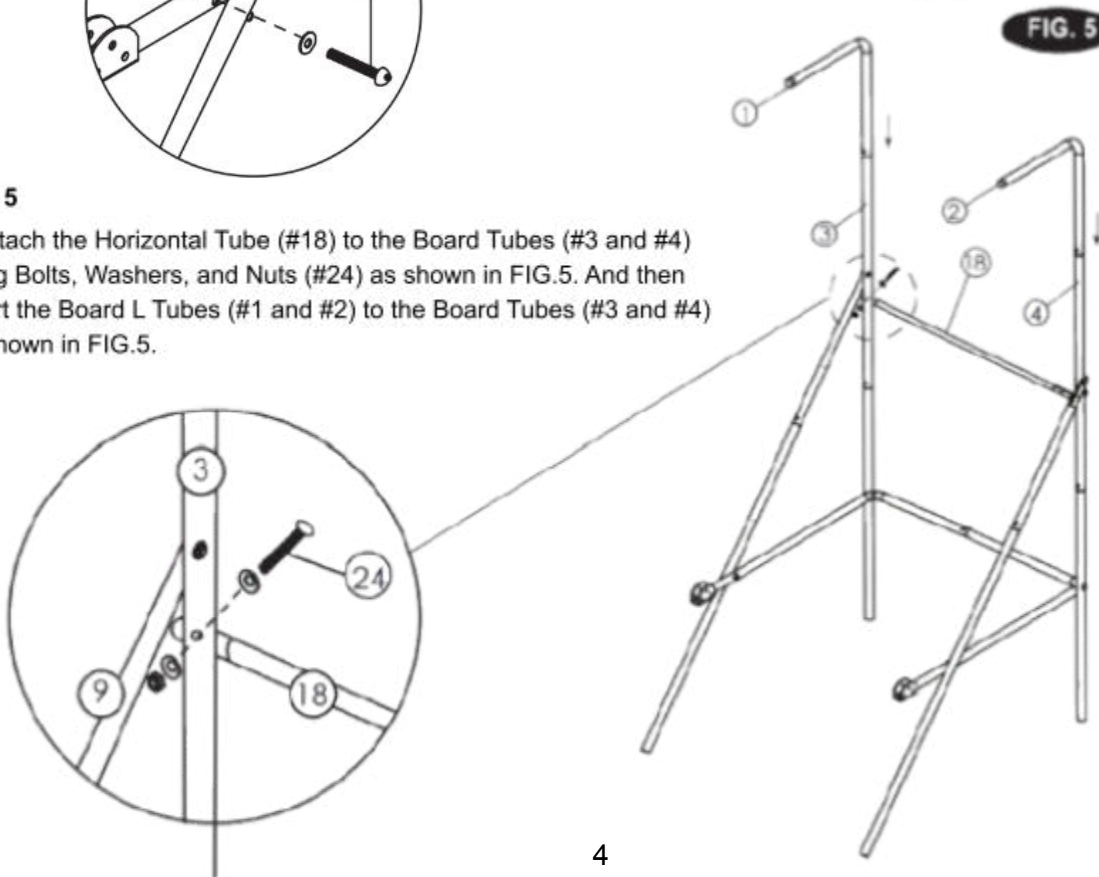


FIG. 6

9. Attach the Ramp Tubes(#13 and #14) to the Left and Right L Tubes (#7 and #8) using Bolts, Washers, and Nuts (#25) as shown in FIG 6.

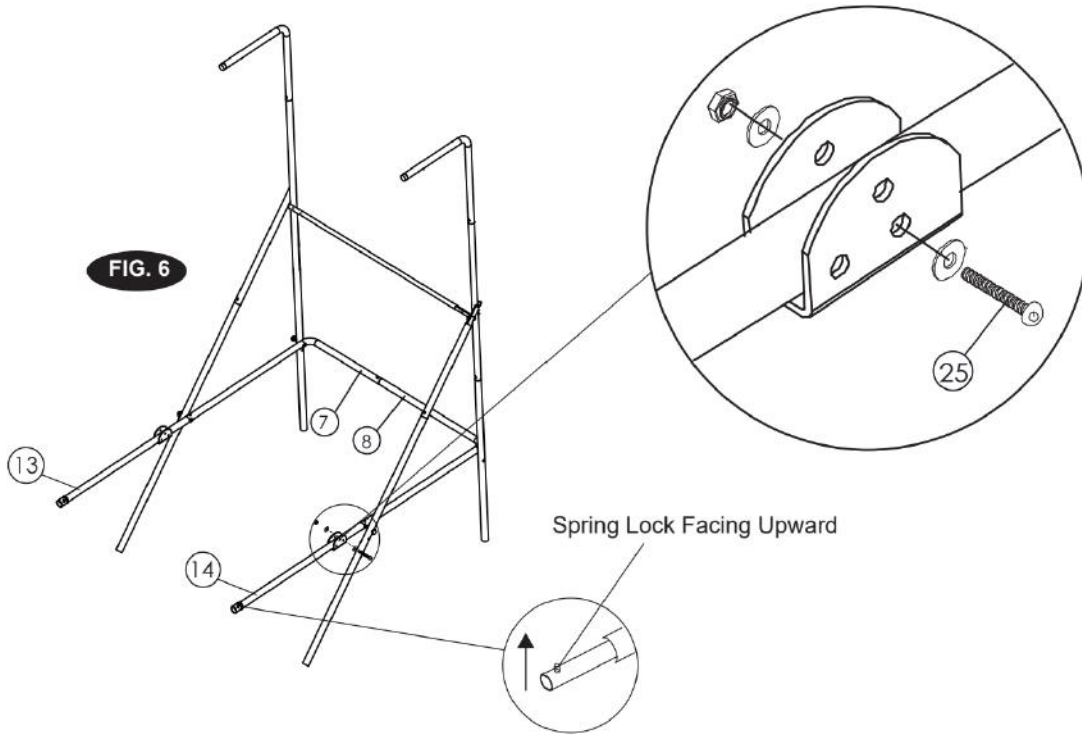


FIG. 7

10. Attach the Ramp L Tubes(#15 and #16) to the Ramp Tubes(#13 and #14) using spring lock as shown in FIG 7.

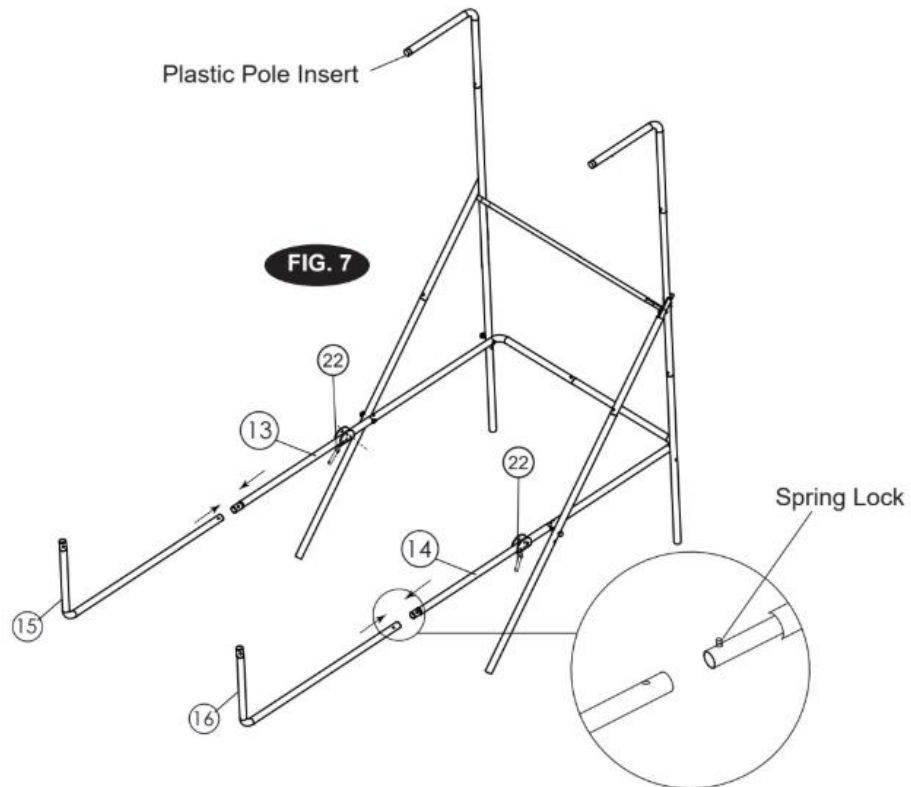


FIG. 8

11. Slide elastic straps and sleeve of Ball Ramp with Side Netting (#20) onto Top Net Hanger Tubes as shown in FIG. 8A & 8B.

12. Slide the Ramp U Tube (#17) into the sleeve of Ball Ramp with Side Netting (#20) as shown in FIG. 8C.

13. Connect the Ramp U Tube (#17) to the Ramp L Tubes (#15 and #16) using spring lock as shown in FIG. 8D.

14. Slide the Horizontal Tube (#19) in front of the Ball Ramp with Side Netting (#20) and attach it to the Ramp U Tube (#17) using Bolts, Washers, and Nuts (#24) as shown in FIG.8E.

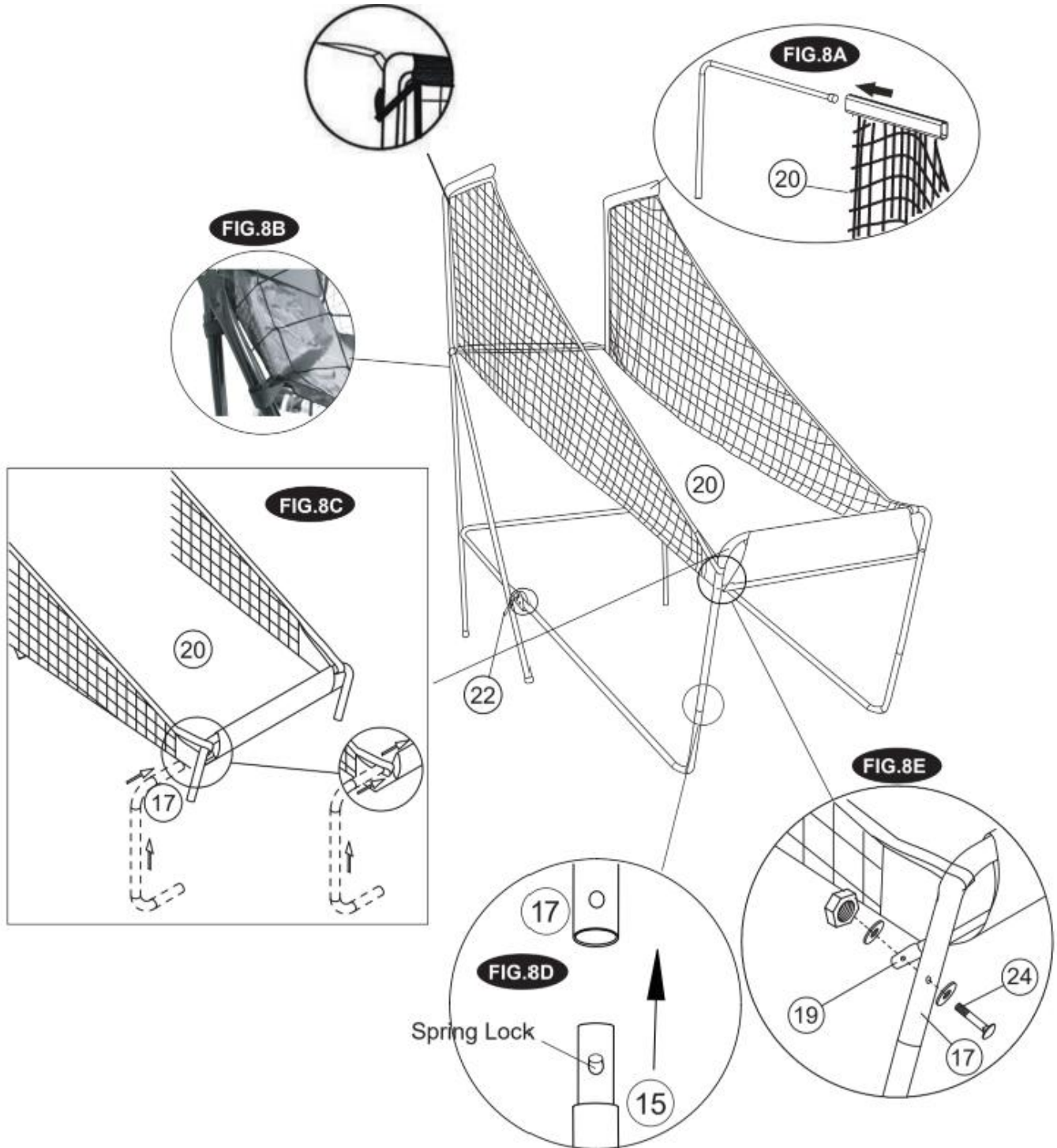


FIG. 9

15. With the help of another adult Attach , the Backboard (#23) to the Board L Tubes (#1 and #2) using Bolts, Washers, and Nuts (#26) as shown in FIG.9 A. At each bottom hole of the backboard, attach the ramp tabs of Ball Return with Netting (#20) using Bolts ,Washers,and Nuts (#26) as shown in FIG.9 B . Backboard (#23) must be installed in the correct orientation where the thicker part is on top as shown in FIG. 9C.

16. Insert the Lock Pins (#22) to the Left and Right L Tubes (#7 and #8) as shown in FIG. 9D.

17. Install huupe mini over the Backboard (#23) using a door hook. Tighten the door hook knob to secure the huupe mini.

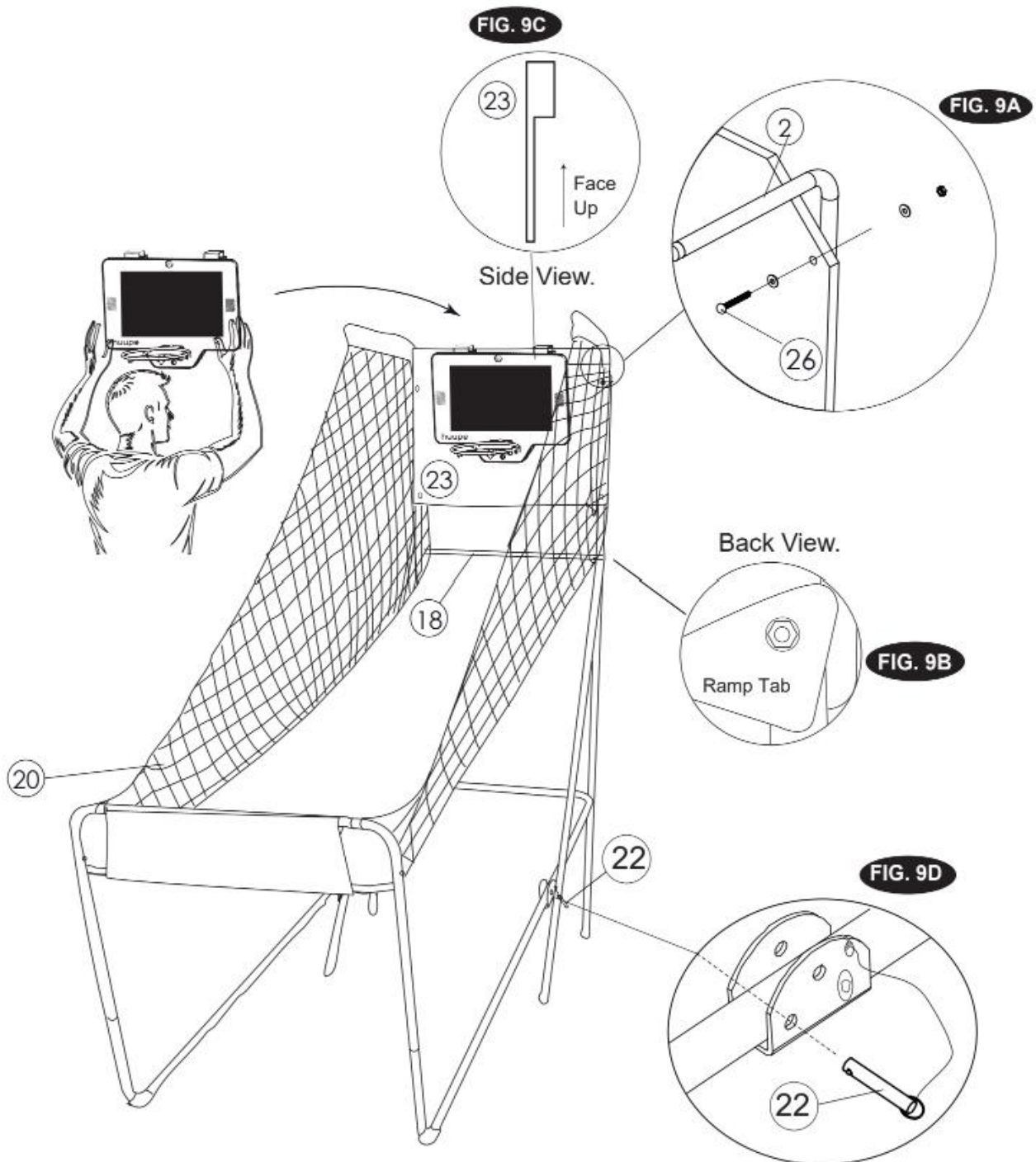


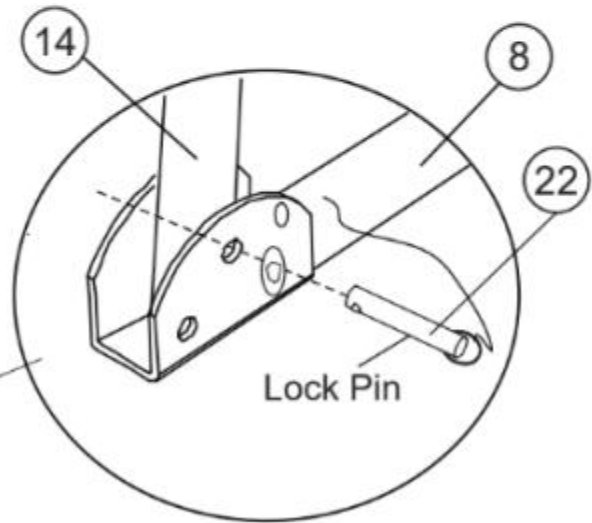
FIG. 10

18. Folding position when not in use the basketball game and insert the Lock Pin (#22) as shown in FIG 10.

NOTE: The lock pin (#22) needs to be removed from its original position when the game is being used before insertion to the new position when folded.



IMPORTANT NOTICE!
Make sure to use the Lock Pins (#22) to secure the Ball Return with Side Netting in place.



WARNING: Changes or modifications not expressly approved by the party responsible for compliance could void the user's authority to operate the equipment.