

In the Box

1x Pivot Stand

Specs

Weight:

56g (2oz)

Dimensions:

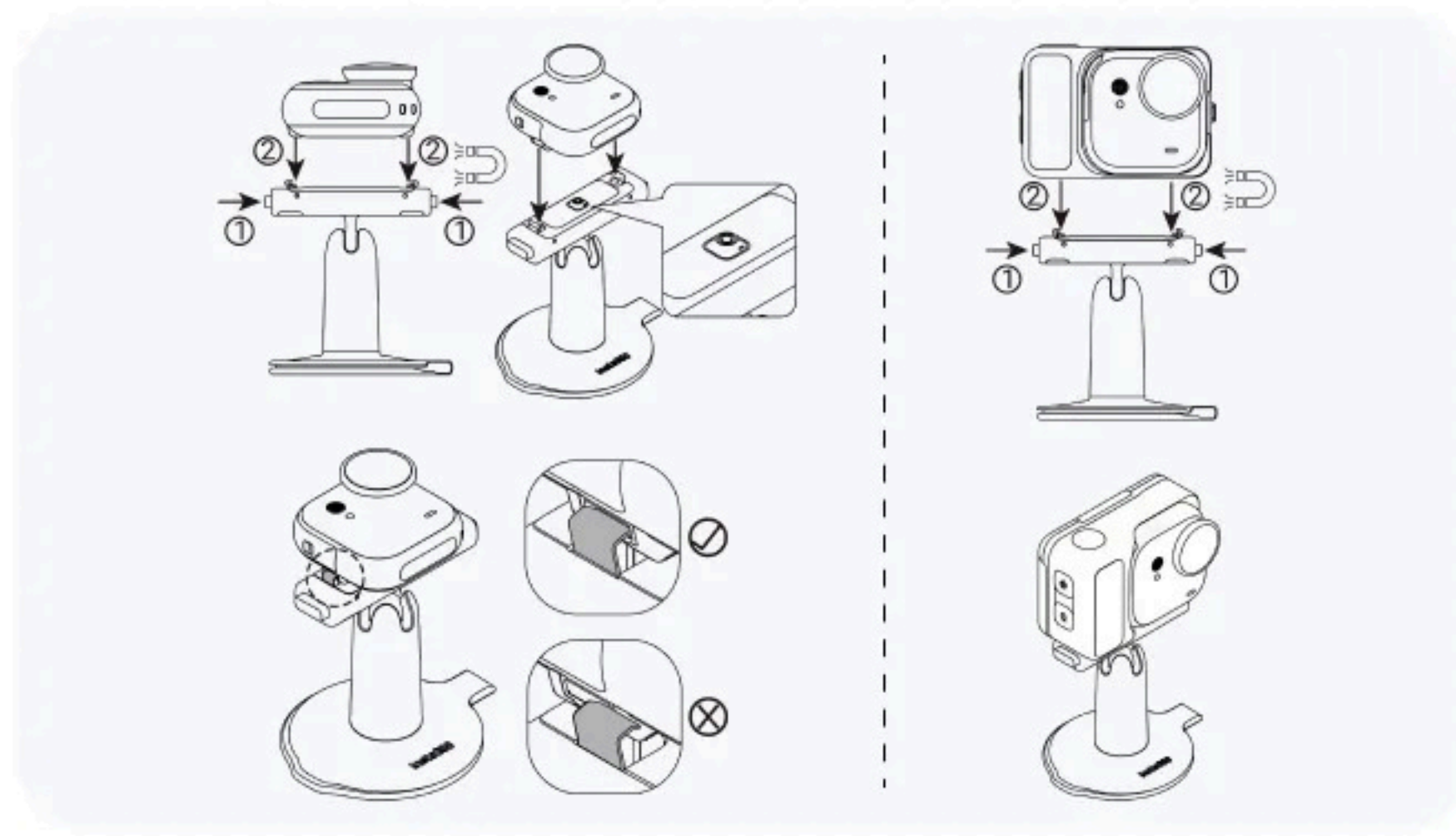
66.8x57.4x70mm (2.6x2.3x2.8in)

Materials:

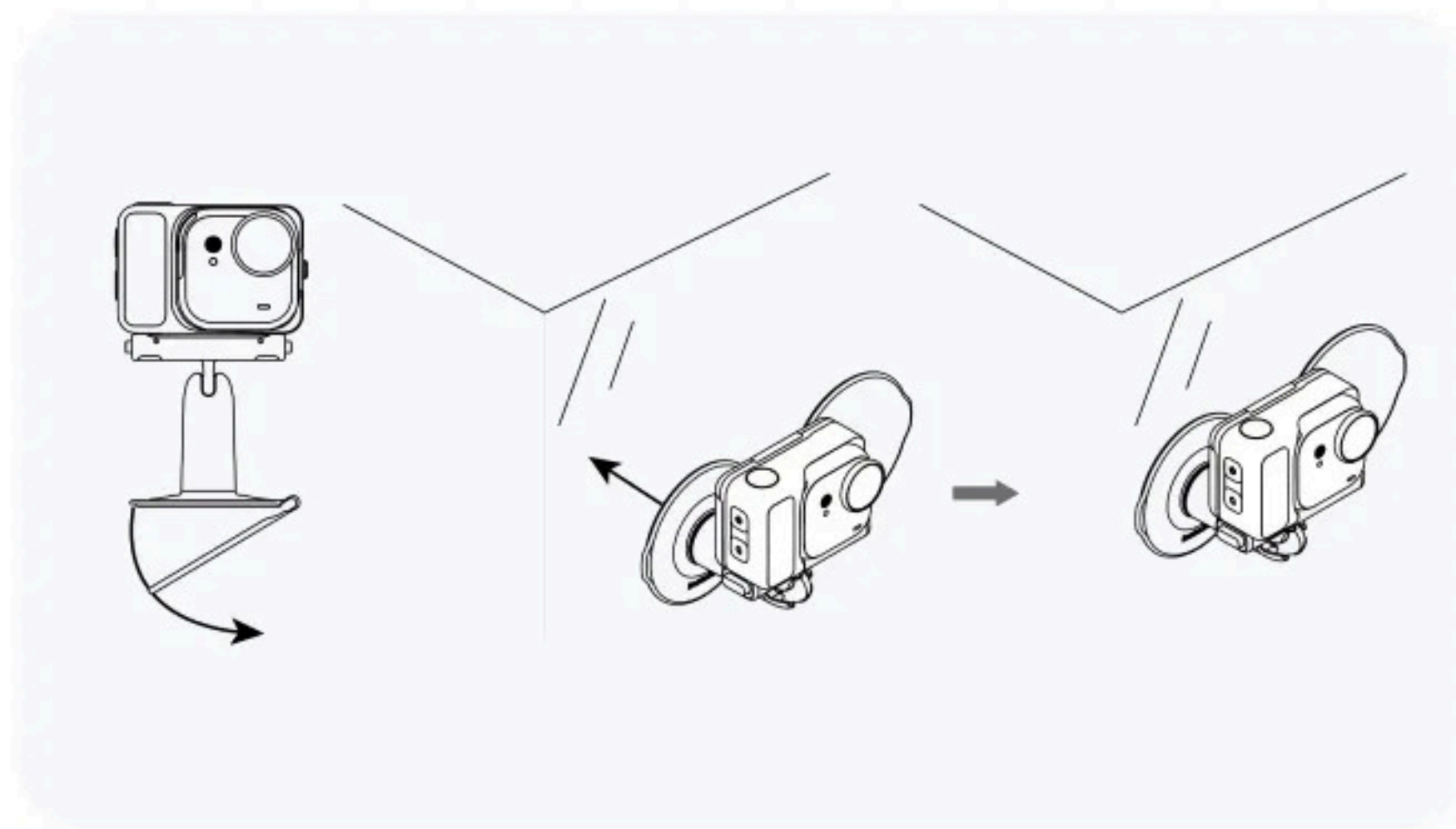
Plastic, metal, water-soluble adhesive

How to Use

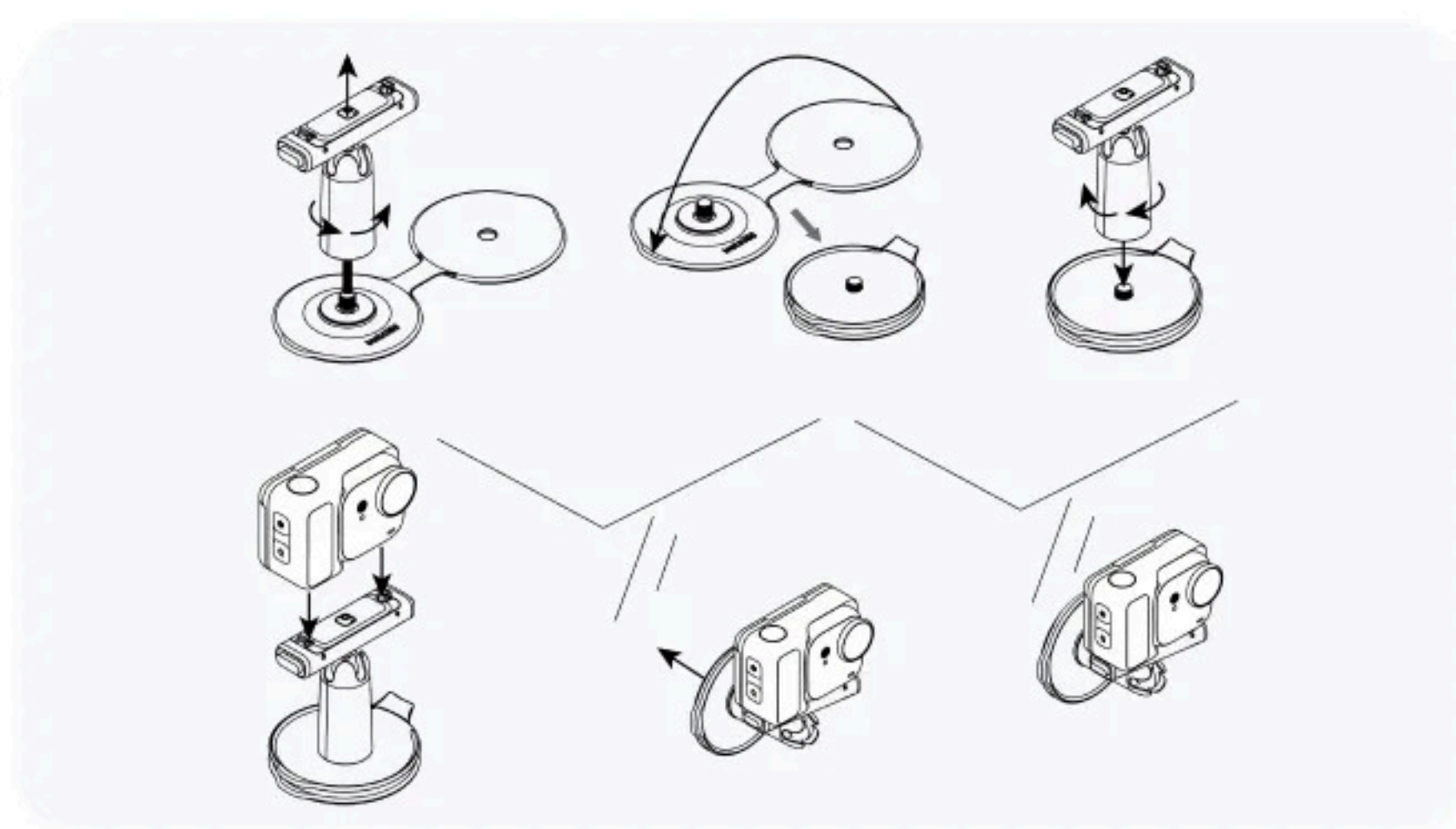
1. Press the two buckles on the sides of the Pivot Stand, and mount GO Ultra (with or without the Action Pod). Make sure the camera faces in the same direction as the icon on the Pivot Stand.



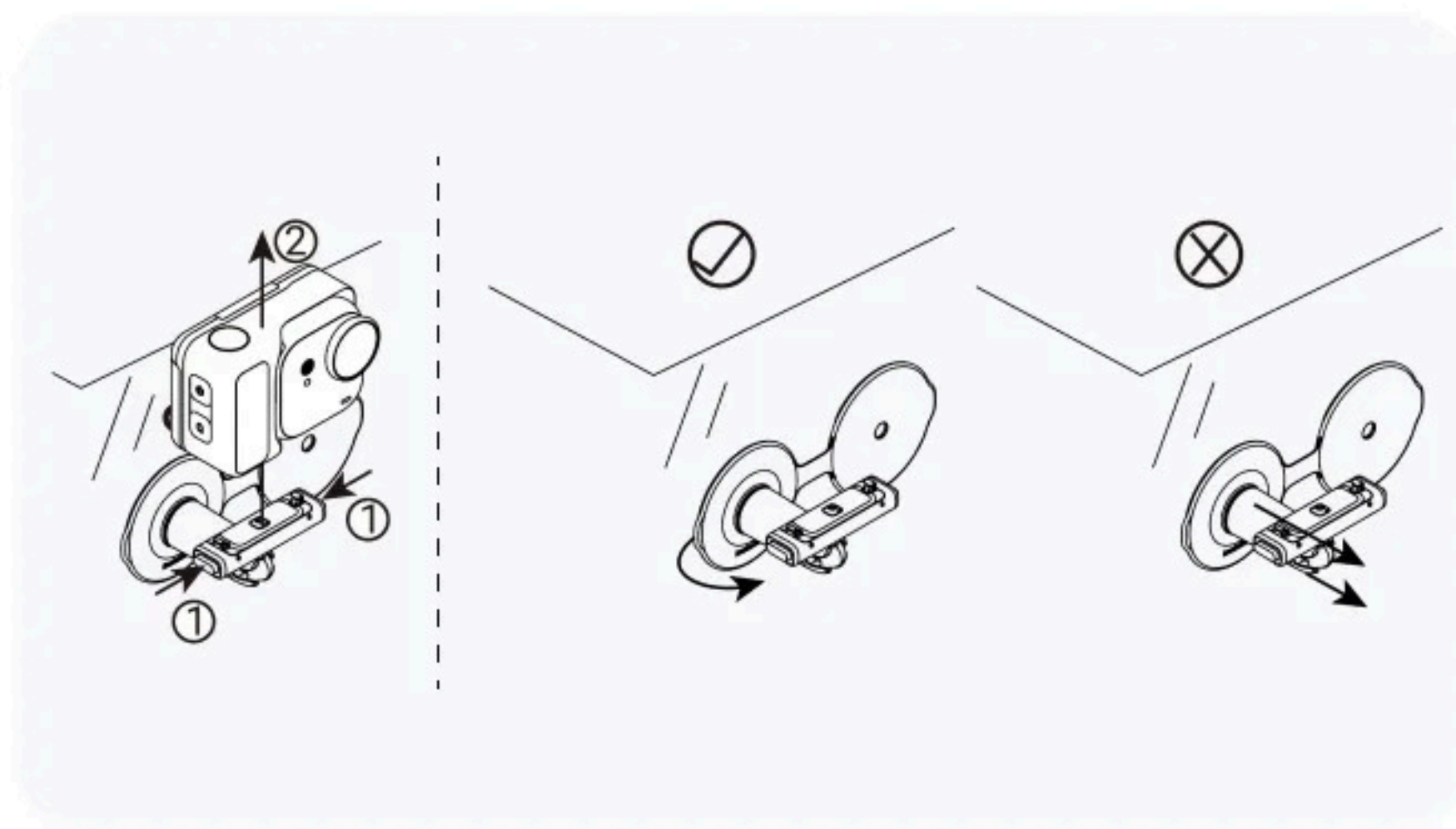
2. Open the cover of the base and stick the base on a smooth surface. Press and hold the Pivot Stand for 10 seconds and ensure that it is securely attached before you let go.



If the cover obstructs the view or causes interference, attach it to the base first before sticking the base to a surface.



3. After use, press the two buckles on the sides to detach the camera or Action Pod. To remove the Pivot Stand, lift from the lift tab of the base. Do not pull the Pivot Stand directly as it might cause damage.



4. Put the cover back before storing the Pivot Stand.

