

In the Box

- 1x Quick Release Mount
- 1x 1/4" to 3-Prong Adapter
- 1x 2-Prong to 3-Prong Adapter
- 1x Thumb Screw (Long)
- 4x Anti-Slip Rings

Specs

Weight:

22g (0.8oz)

Size:

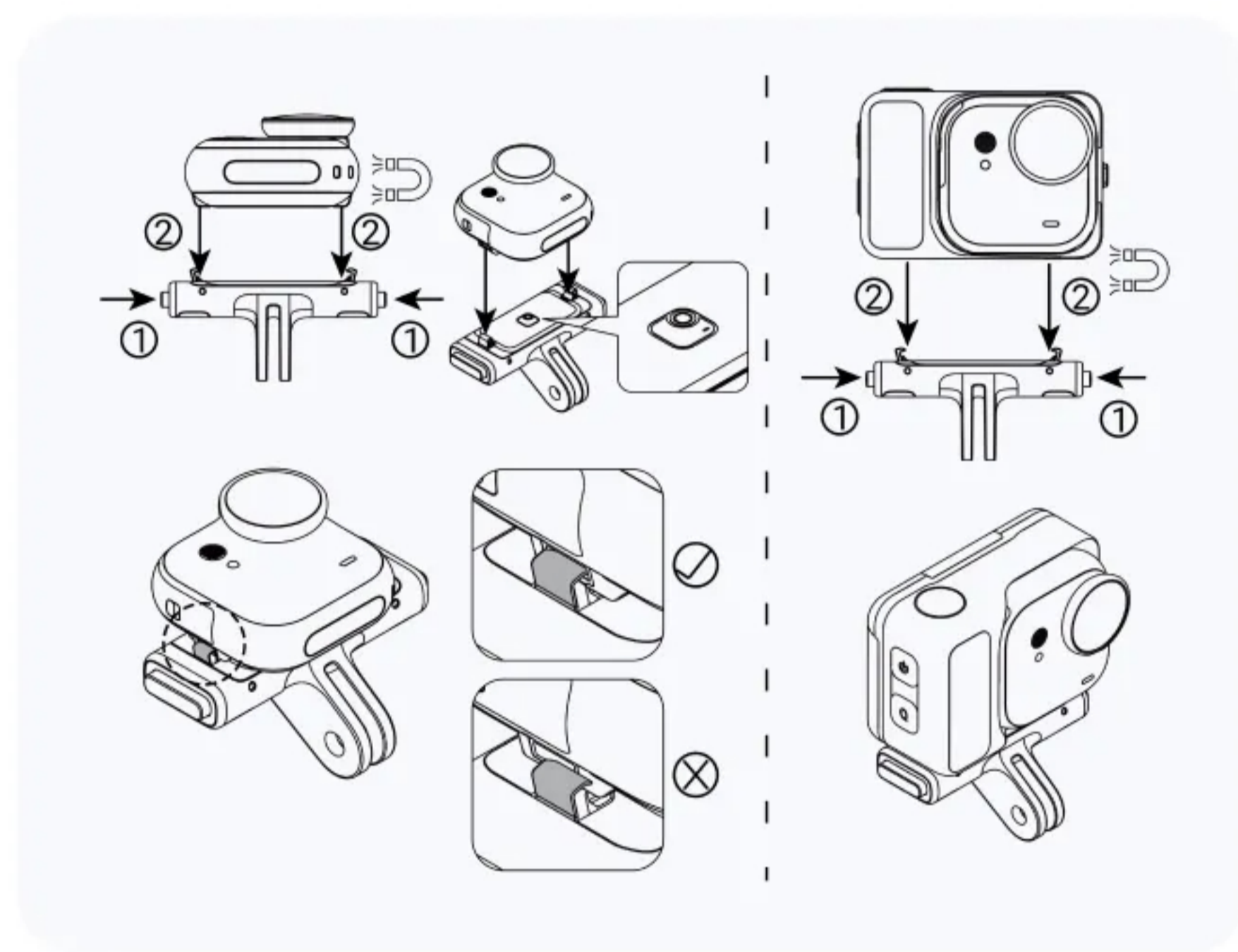
62x36x31mm (2.4x1.4x1.2in)

Material:

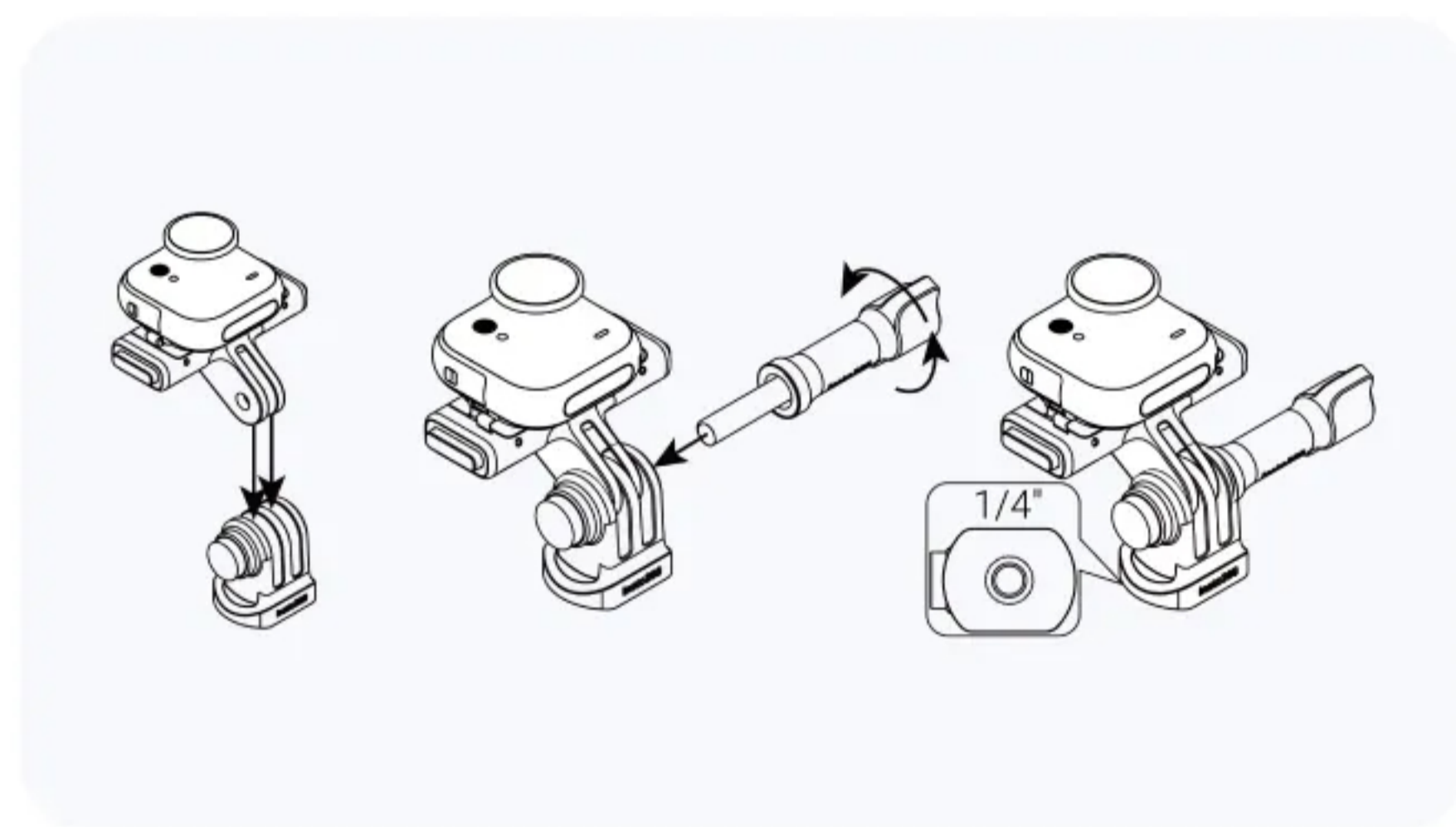
Metal, plastic, neodymium magnet, silicone

How to Use

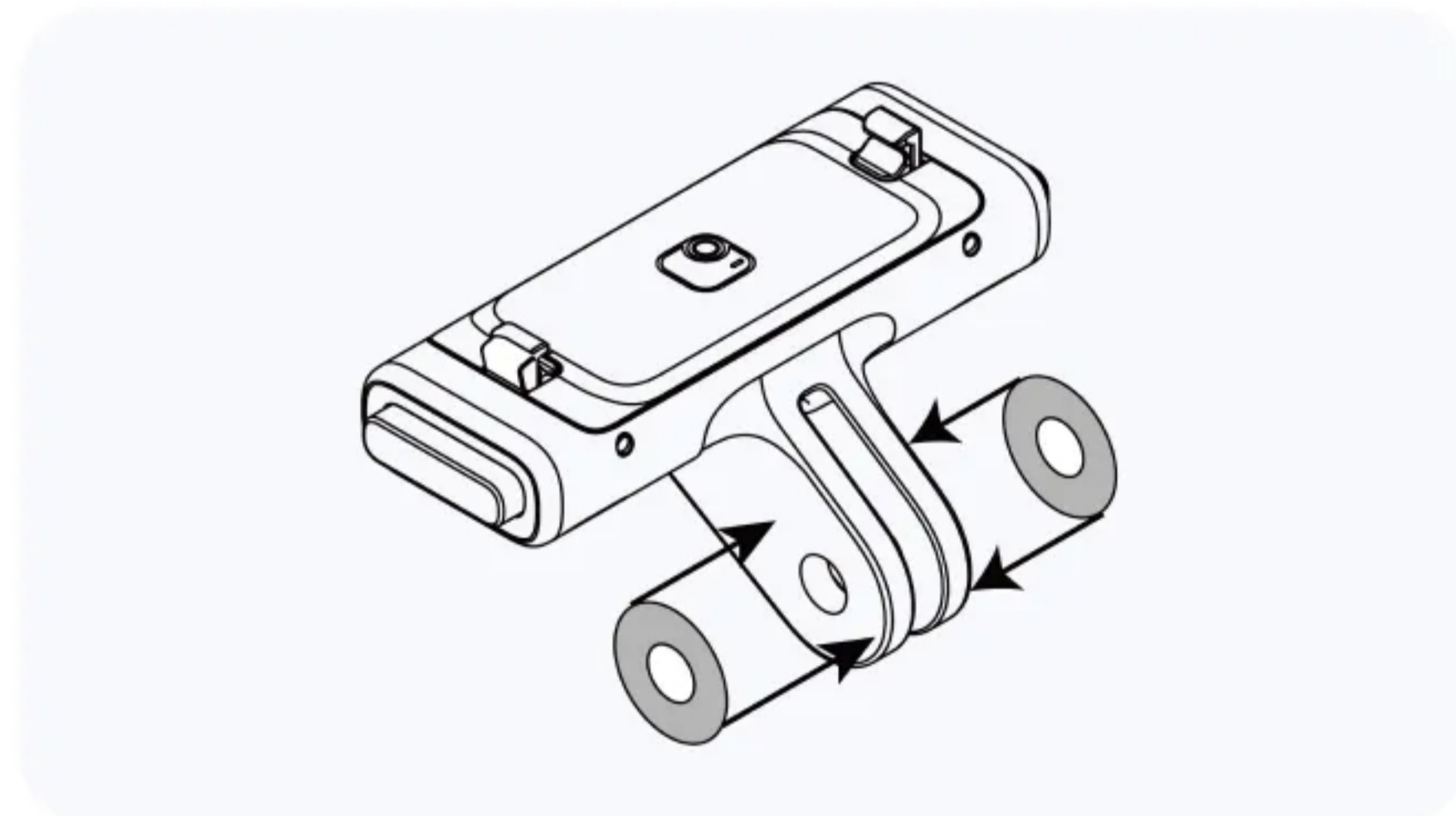
1. Press the buckles on both sides of the Quick Release Mount and attach the Standalone Camera or the Action Pod. Ensure the camera is aligned with the camera mark on the mount. Press the Standalone Camera or the Action Pod securely into the mount to lock the buckles on both sides.



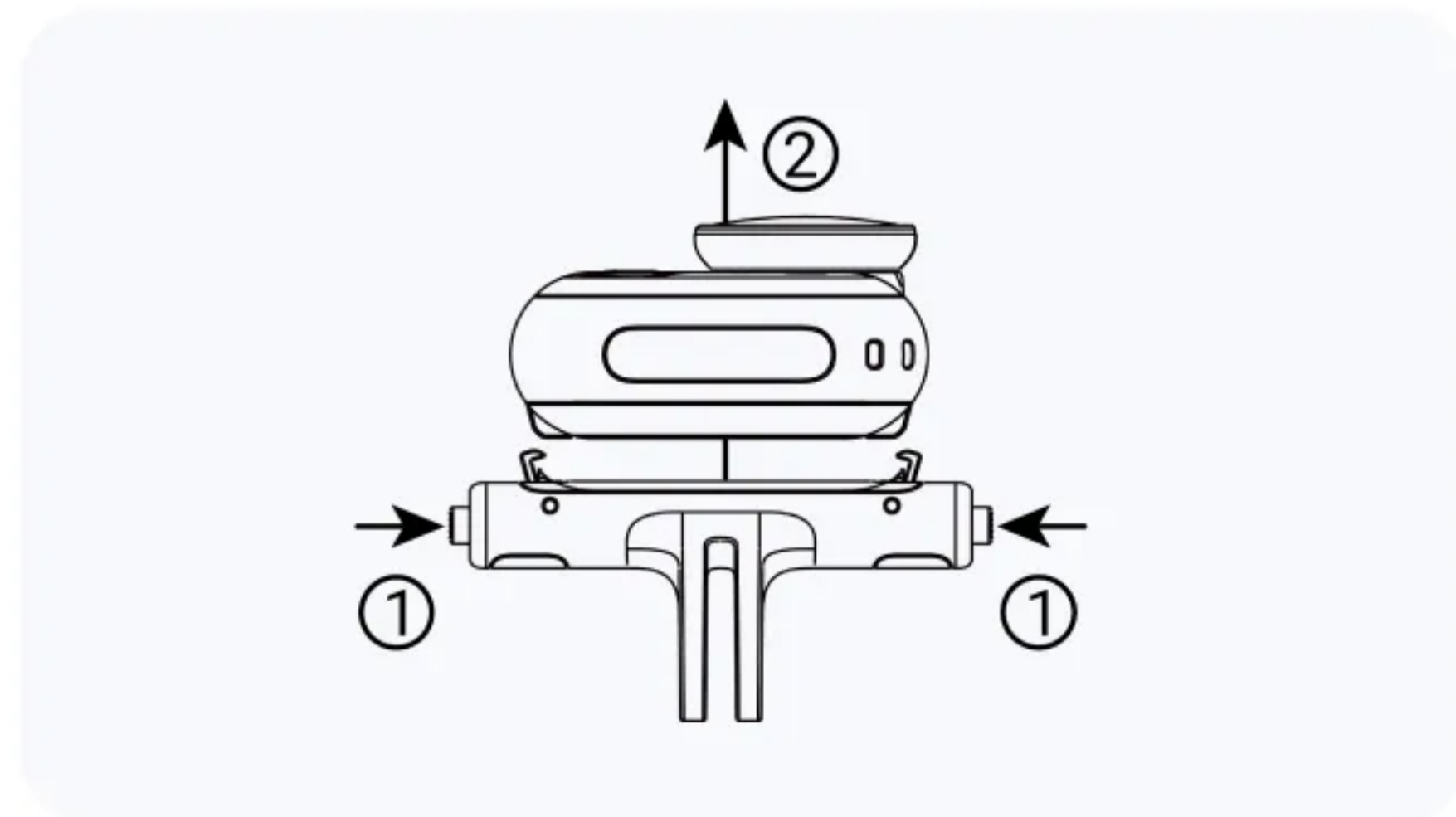
2. Connect the mount to the 1/4" to 3-Prong Adapter, then use the 1/4" mounting point to attach a selfie stick or other accessories.



3. If the connection feels loose, insert an anti-slip ring to both sides of the adapter, then reattach the accessory.



4. To detach, press and hold the two buckles on the mount, then remove the Standalone Camera or Action Pod.



5. Includes a silicone pad that reduces noise during active scenarios. Apply the pad firmly to ensure the camera or Action Pod is securely attached.

