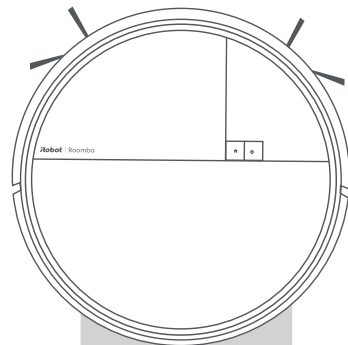


# Roomba® Max 700 Series

**Combo** Robot + AutoWash™ Dock

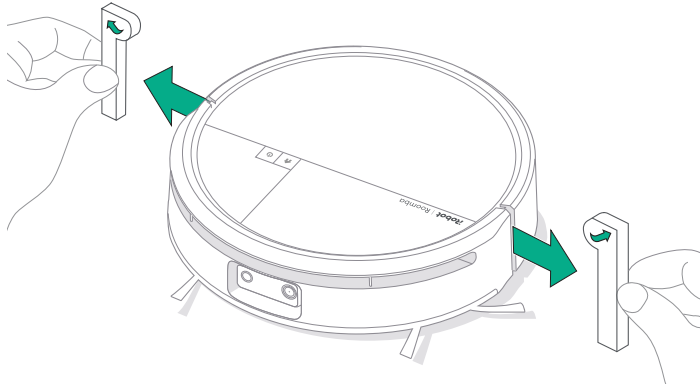
Owner's Guide



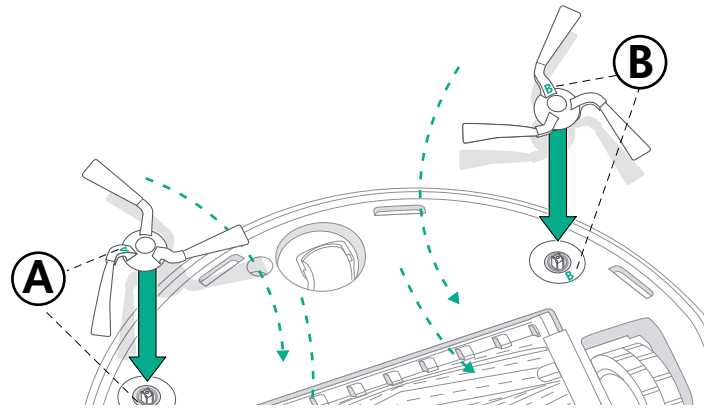
**iRobot**

# Getting Started

1 Remove foam inserts behind bumper



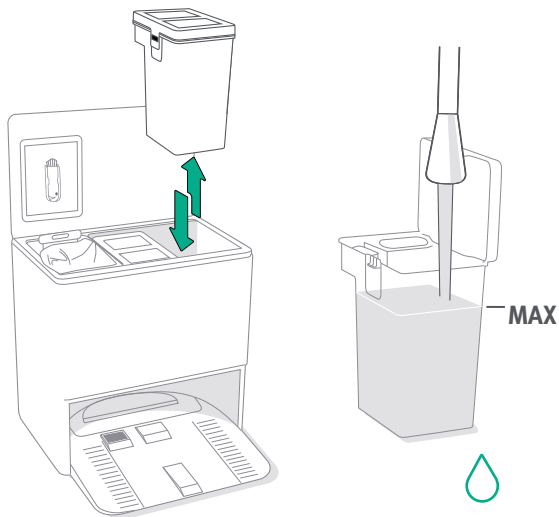
2 Install both the edge-sweeping brushes



Align the edge-sweeping brush marked with an A to the hardware marked with an A. Press down until you hear a click.

Align the edge-sweeping brush marked with a B to the hardware marked with a B. Press down until you hear a click.

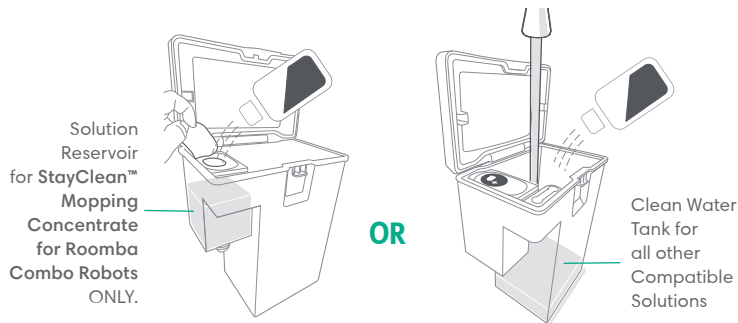
### 3 Prepare the clean water tank



Remove clean water tank (right) from the AutoWash™ Dock. Fill the clean water tank with water.

### 4 (Optional)

Fill the solution concentrate tank with StayClean™ Mopping Concentrate for Roomba® Combo Robots.

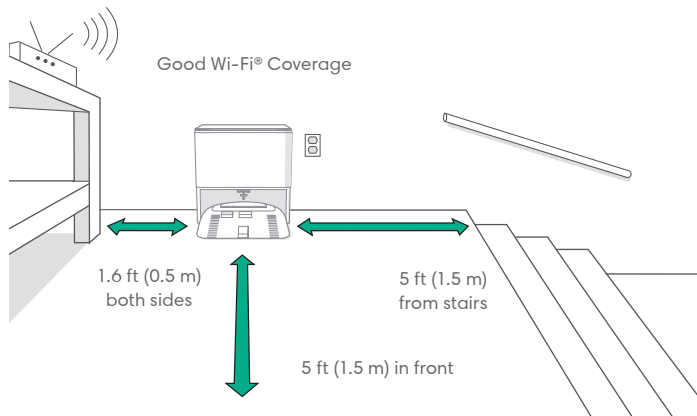


Or, if you do not have the StayClean™ Mopping Concentrate, you may opt to dose the clean water tank with part water, part approved compatible cleaning solution.

**✳ IMPORTANT:** StayClean™ Mopping Concentrate for Roomba® Combo Robots is currently the **ONLY** compatible cleaning concentrate for the solution reservoir. Do **NOT** use other solutions in this reservoir.

**✳ IMPORTANT:** If opting to add a cleaning solution to the water in the clean water tank, A full list of compatible cleaning solutions can be found on <http://answers.irobot.com/s/roomba-combo-cleanser> or by visiting the App. Please do not use other cleaning solutions or bleach-based products.

## 5 Place your AutoWash™ Dock on hard, level surfaced flooring

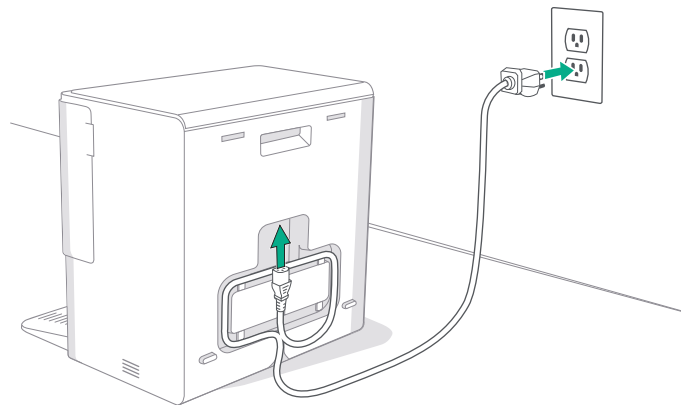


**NOTE:** Do not place it in direct sunlight. Ensure the area around the dock is free of clutter to improve docking performance.



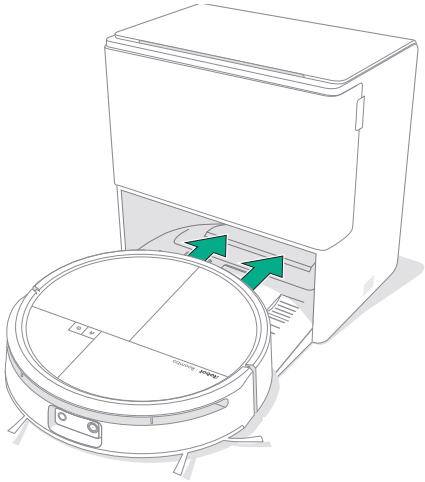
**WARNING:** To prevent the risk of your robot falling down stairs, ensure that your dock is placed at least 5 feet (1.5 meters) away from stairs.

## 6 Plug in your AutoWash™ Dock



Plug the power cord into the wall. Wrap the cord back so it won't get in the way of the robot as it comes and goes.

## 7 Wake up your robot



Place robot in front of AutoWash™ Dock and slide it forward until the metal charging contacts are lined up. Its lights will indicate that it's waking up. A sound will let you know it's fully awake.



**NOTE:** Your robot comes with a partial charge, but we recommend that you charge the robot for 4 hours prior to starting the first cleaning.

To remove your robot from the dock, slide the robot towards you and then lift.

## 8 Download the Roomba® Home App

The Roomba® Home App and a Wi-Fi® connection is required to complete set up. Scan the QR code with the camera on your mobile device or find the Roomba® Home App in your App store. The Roomba® Home App will guide you through steps to set up your robot. The app allows you to:

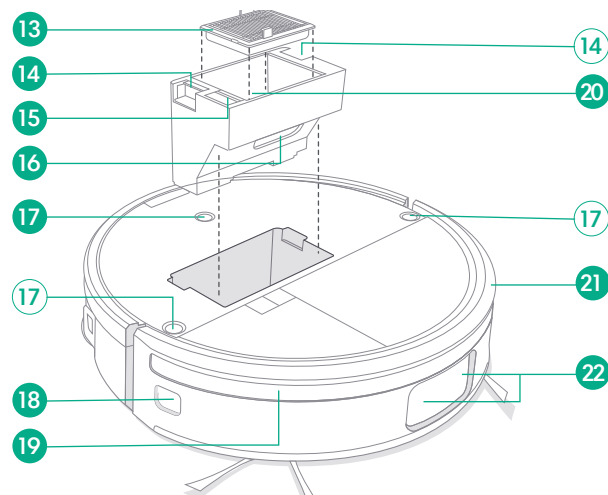
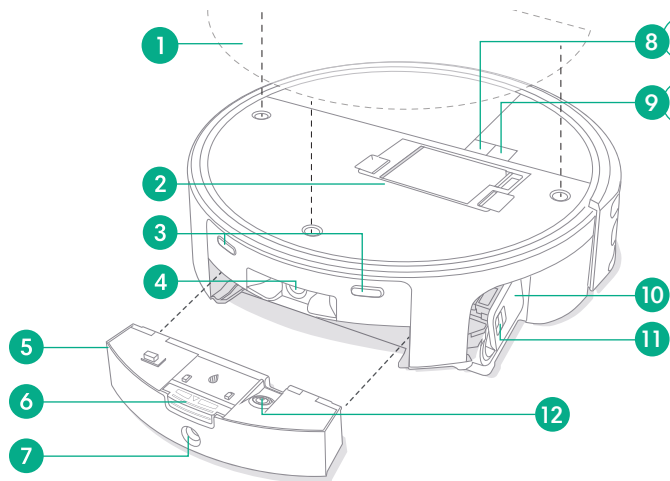
- Control when, where, and how you clean
- Create automatic cleaning schedules
- Set custom cleaning preferences
- Unlock digital features
- Access to tips, tricks, and answers to commonly asked questions



**IMPORTANT:** Read enclosed safety information guide first before using your robot.

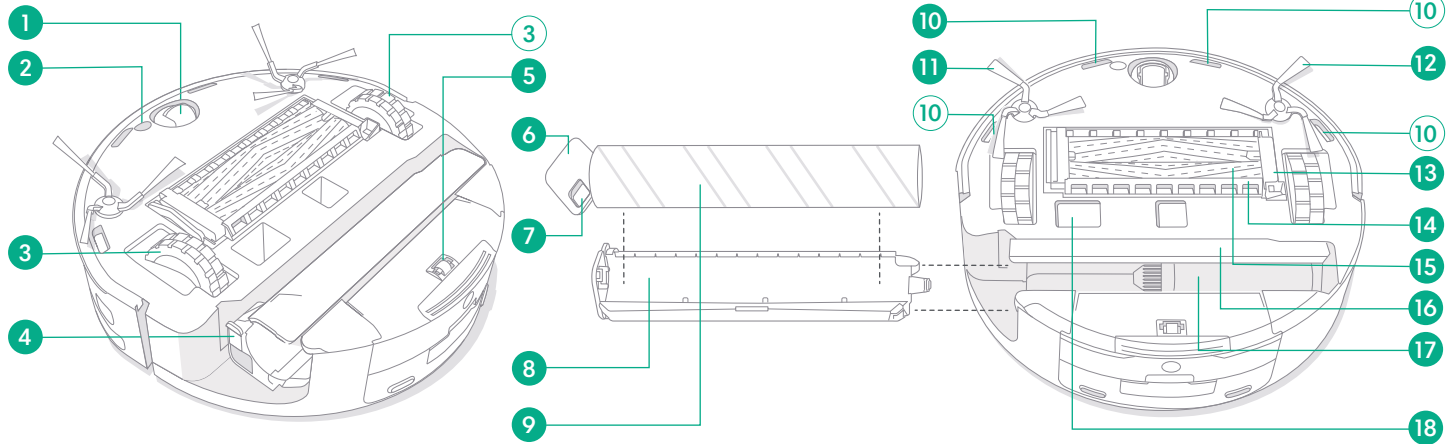
# About your Roomba® Max 700 Series Combo Robot

## Top View



- |                                  |   |                                |   |
|----------------------------------|---|--------------------------------|---|
| 1 Robot Top Cover                | 7 Dirty Water Extraction Nozzle         | 12 Dirty Water Extraction Pump | 18 Wall Follow Sensor   |
| 2 Dust Bin                       | 8 Home Button                           | 13 Filter                      | 19 ClearView™ Pro LiDAR                                       |
| 3 Charging Contacts              | 9 Power Button                          | 14 Dust Bin Release Buttons    | 20 Dust Bin Cover   |
| 4 Clean Water Refill Port        | 10 PowerSpin™ Roller Mop Assembly       | 15 Filter Cover Release Button | 21 Bumper   |
| 5 Dirty Water Bin                | 11 PowerSpin™ Roller Mop Release Button | 16 Dust Bin Port               | 22 PrecisionVision™ AI Camera Technology and Illumination LED |
| 6 Dirty Water Bin Release Button |   | 17 Top Cover Magnetic Holders  |   |

## Bottom View



- 1 Front Caster Wheel
- 2 Carpet Detection Sensor
- 3 Wheels
- 4 Roller Mop Scraper Release Button
- 5 Rear Caster Wheel

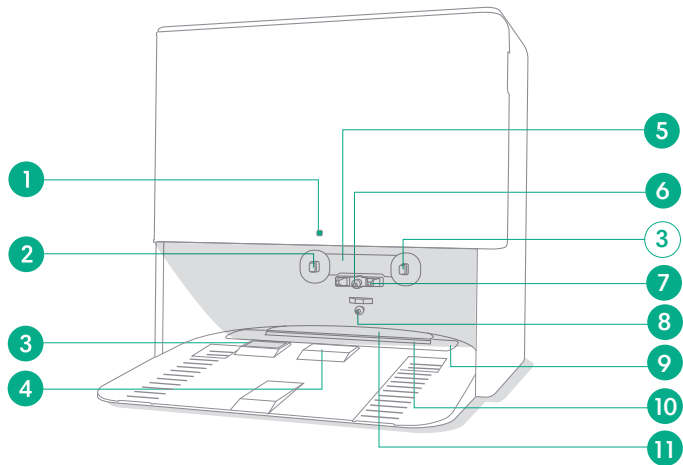
- 6 Roller Mop Edge Clip
- 7 Roller Mop Release Button
- 8 Roller Mop Scraper
- 9 PowerSpin™ Roller Mop with PerfectEdge®
- 10 Cliff Sensors

- 11 Edge-Sweeping Side Brush 'A'
- 12 Edge-Sweeping Side Brush 'B'
- 13 Cleaning head cover release button
- 14 Cleaning head cover
- 15 Dual Multi-Surface Rubber Brushes

- 16 Roller Mop Cover
- 17 Roller Mop Actuator
- 18 Auto-Empty Exhaust Port

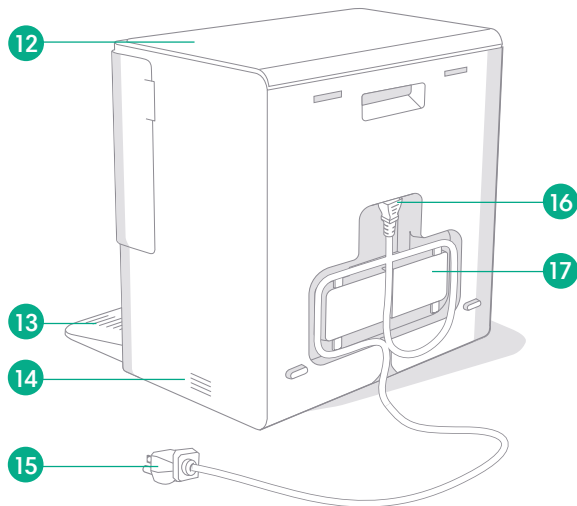
# About your AutoWash™ Dock

## Front View



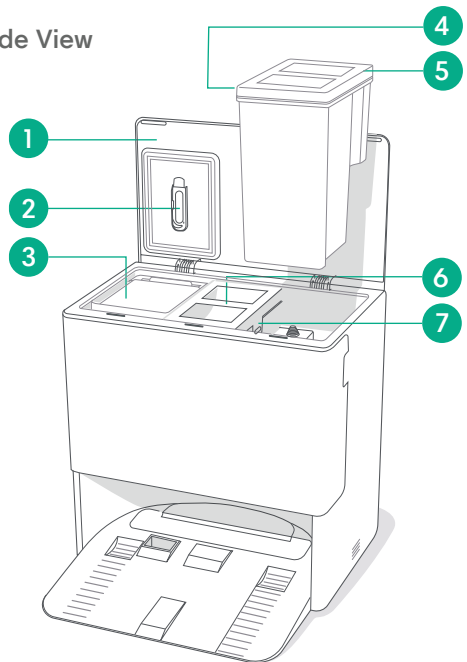
- |                     |                                 |
|---------------------|---------------------------------|
| 1 LED Indicator     | 6 Clean Water Refill Port       |
| 2 Charging Contacts | 7 Alignment Mechanisms          |
| 3 Exhaust Vent      | 8 Dirty Water Extraction Nozzle |
| 4 Intake Vent       | 9 Roller Mop Washing Basin      |
| 5 IR Window         | 10 Hot Air Duct                 |

## Rear View

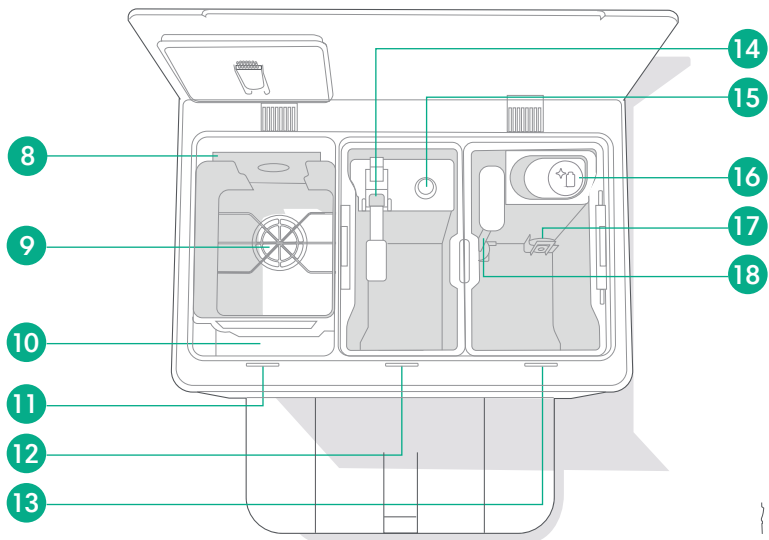


- |                         |                    |
|-------------------------|--------------------|
| 11 Hot Air Duct Cover   | 16 Cord Attachment |
| 12 Dock Lid             | 17 Cord Wrap       |
| 13 Wheel Track          |                    |
| 14 Exhaust Vent         |                    |
| 15 Removable Power Cord |                    |

## Inside View



## Top View



- 1 Dock Lid
- 2 Cleaning Brush & Hair Cutting Accessory
- 3 Dust Bag
- 4 Clean Water Tank Latch

- 5 Clean Water Tank
- 6 Dirty Water Tank
- 7 Dirty Water Tank Latch
- 8 Dust Bag Guide Rails
- 9 Dock Pre-Filter

- 10 Dust Bag Storage
- 11 Bag Full LED Indicator
- 12 Dirty Water Tank LED Indicator
- 13 Clean Water Tank LED Indicator
- 14 Dirty Water Float

- 15 Water Entry Point
- 16 Solution Reservoir Cap
- 17 Clean Water Float
- 18 Clean Water Tubing

# Charging

## Icon Indicators



### POWER and HOME Buttons

**White** - Fully charged and connected

**Flashing White** - Return to dock to charge



**Pulsing White** - Charging/Low battery. Displays when robot's battery falls below 20% and it is charging or on its way to charge

**Flashing Red** - Error/Low battery. Displays when robot has an error or when it's off the dock and it's battery falls below 20%


## Charging during a Cleaning Routine

Your robot will return to the dock whenever it needs to recharge. Once it is sufficiently charged, it will then resume cleaning where it left off.

## Standby Mode

Your robot uses a small amount of power whenever it is on the dock. You can put it in a further-reduced power state when not in use by pressing  for 10 seconds. To exit low power mode short press .

## Storing your Robot

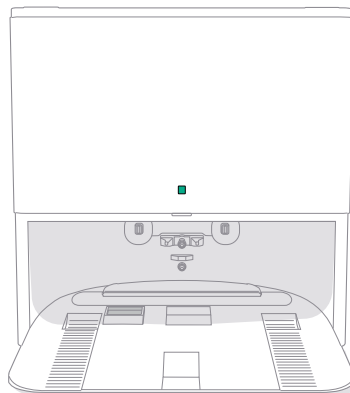
For long-term storage, turn off your robot by removing it from the dock, then press and hold  and the bumper together for 10 seconds. Store in a cool, dry place.

## Dock Charging LED Indicator



**Solid White** - Dock is powered on and operating.

**LED Indicator Off** - Dock not powered.



**NOTE:** Software updates may adjust the actual LED behavior on the robot and/or dock. Please visit [global.irobot.com](https://global.irobot.com) for the most up-to-date information.

# Cleaning

## Button Controls

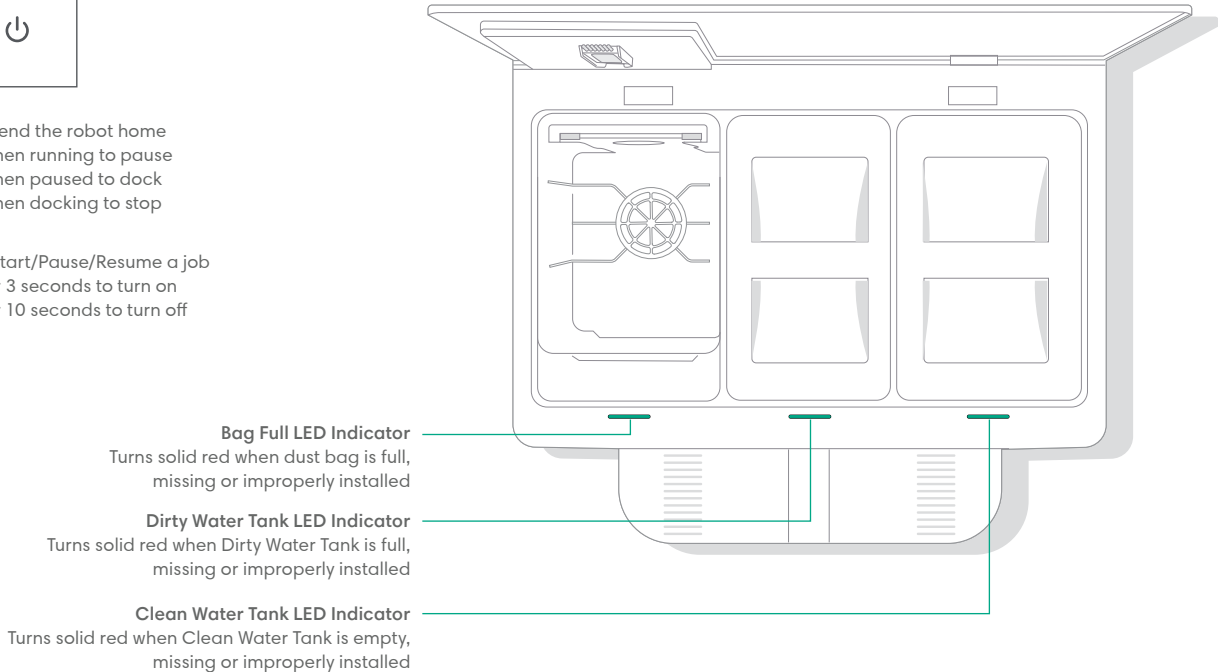


**HOME** - Tap to send the robot home  
Press when running to pause  
Press when paused to dock  
Press when docking to stop

**POWER**- Tap to Start/Pause/Resume a job  
Hold for 3 seconds to turn on  
Hold for 10 seconds to turn off

## AutoWash™ Dock Cleaning LED Indicators

Your robot has three Horizontal bars that are Red LED's and will turn on when there is an issue.



### Bag Full LED Indicator

Turns solid red when dust bag is full, missing or improperly installed

### Dirty Water Tank LED Indicator

Turns solid red when Dirty Water Tank is full, missing or improperly installed

### Clean Water Tank LED Indicator

Turns solid red when Clean Water Tank is empty, missing or improperly installed

## Cleaning Pattern

Your robot will automatically explore and clean your home in neat rows. It will return to the AutoWash™ Dock at the end of a cleaning routine whenever it needs to recharge.



### Tips:

- Remove excess clutter from floors before cleaning.
- Use your robot frequently to maintain well-conditioned floors.

After 90 minutes of inactivity off the AutoWash™ Dock, your robot will automatically end its cleaning. If you are unsure if it is finished or paused, visit the **Roomba® Home App** to check on its status.



**NOTE:** The Roomba® Home App and a Wi-Fi® connection is required to complete set up. The mobile app can be used to clean specific rooms, setup cleaning routines, and create automations/schedules. It is highly recommended to use the Roomba® Home App for cleaning control.

## Spot Clean

Tap  two times to spot clean a designated area. After spot clean is complete, your robot will end the job. Press  To send it back to its AutoWash™ Dock.

## Auto-Emptying

Your robot will automatically attempt to empty its dust bin every time it returns to its AutoWash™ Dock, or is physically placed on the AutoWash™ Dock.

## Auto-Washing

Your robot will automatically return to the AutoWash™ Dock to wash its pads and empty its dirty water periodically throughout and at the end of each cleaning routine.



**NOTE:** Roomba® robots are generally designed to be used on most floor types for vacuuming. We do not recommend using the roller mop on unsealed hardwood floors and certain laminate/vinyl planks due to potential water damage to the flooring and/or sub-floor. For more info, please visit [global.irobot.com](https://www.irobot.com).

# Vacuuming and Mopping

## Roller Mop Washing and Roller Mop Drying

Your robot will return to its AutoWash™ Dock for roller mop washing as needed during cleaning routines and then again when cleaning is complete.

Roller drying will only take place at the end of its cleaning routine.

**⚠ IMPORTANT:** Do not interrupt the robot while roller mop washing is active. It is normal to hear noises throughout this process as the roller mop rotates.

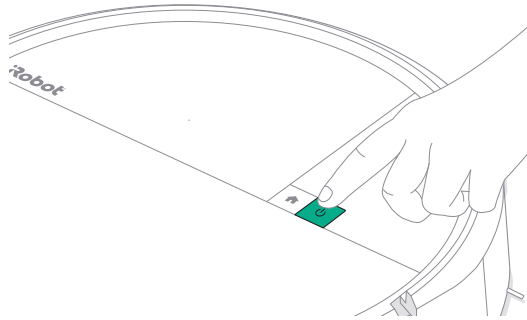
Once complete, the AutoWash™ Dock will proceed to dry the roller mop by blowing hot air over it. The AutoWash™ Dock will blow hot air on the roller mop simultaneously while the robot intermittently rotates the roller mop to make sure the hot air dries all sides of the roller mop.

**📄 NOTE:** The drying process can last for a few hours. You can choose different drying times in the app. You may hear a low hum coming from the dock while the dryer is active.

Visit the Roomba® Home App to manually start roller mop washing, start or stop roller mop drying, or to change the roller mop wash settings.

**⚠ IMPORTANT:** The PowerSpin™ Roller Mop with PerfectEdge® is not washing machine nor dishwasher safe.

To start cleaning, place the robot back on the dock and use the App or press **⏻** to start.

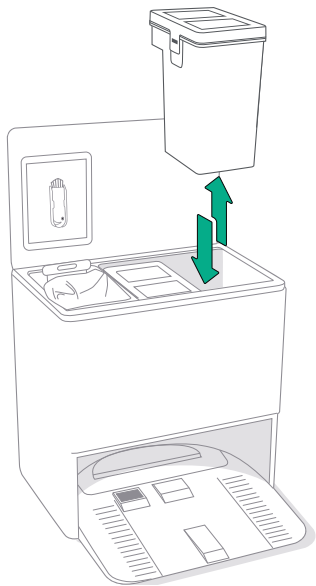


**📄 NOTE:** Your robot uses vacuum and mop combo cleaning mode by default. To vacuum only, mop only, to select rooms to clean, and to customize your cleaning routine, please use the Roomba® Home App.

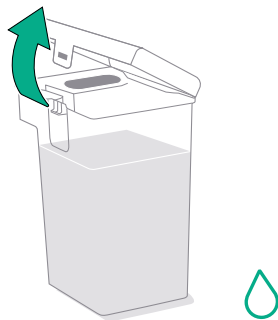
## Starting a Cleaning Routine From Your Dock

If the Clean Water Tank and Dirty Water Tanks are ready, skip to step 5. If the Clean Tank or Dirty Tank LED Indicators are on:

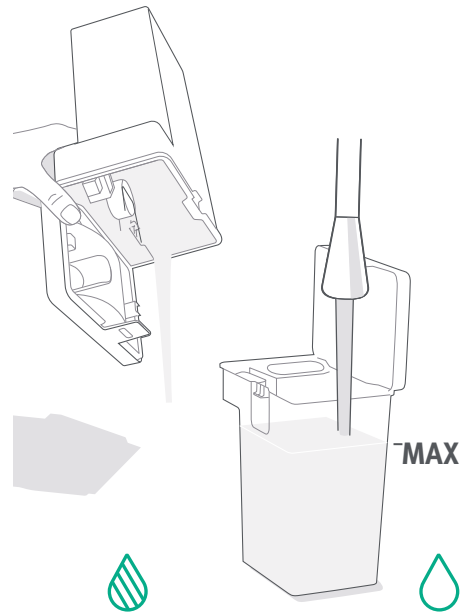
- 1 Lift to remove the tank that requires maintenance.



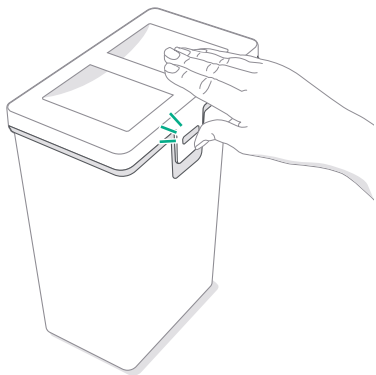
- 2 Lift the latch on the tank to open.




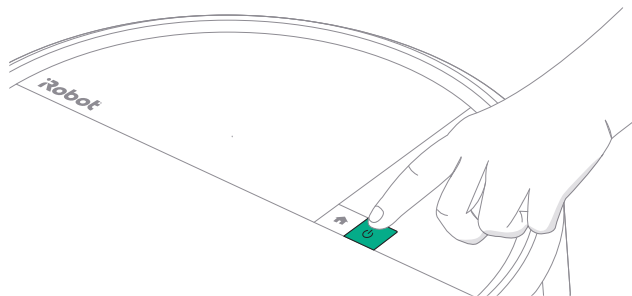
- 3 Empty the dirty water tank. Fill the clean water tank with water.



- 4 Close and latch the water tank lids. Place tanks back on the dock.



- 5 To start cleaning, place the robot back on the AutoWash™ Dock and use the app or press  .



**IMPORTANT:** Ensure the latch is properly closed before reinstalling. Failure to properly latch will result in water leakage.

# Care and Maintenance for Your Robot

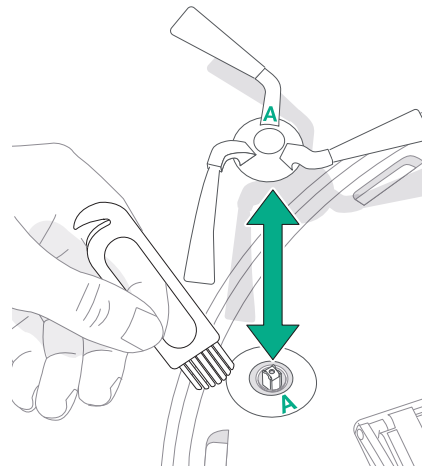
To keep your robot at optimal performance, make sure you periodically perform the following basic care & maintenance. The Roomba Home App will provide personalized reminders for wear part replacement and key maintenance requirements. There are additional instructional videos in the Roomba® Home App. If you notice your robot picking up less debris from your floor, empty the bin, clean the filter, and clean the brushes.

Part	Care Frequency	Replacement Frequency*
Brush Cover	Inspect every 6 months	Replace if worn or damaged
Charging Contacts	Clean every 2 weeks or as needed	-
Dust Bin	Clean as needed	-
Edge-Sweeping Brush	Clean every 2 weeks or as needed	Every 3-6 months
Multi-Surface Brushes	Clean once a week	Every 6-12 months
Filter	Clean once a week (twice a week if you have a pet)	Every 3-6 months
Front Caster Wheel	Clean every 4 weeks (once a week if you have a pet)	-
Rear Caster Wheel	Clean every 4 weeks (once a week if you have a pet)	-
PowerSpin™ Roller Mop Wet Cleaning System	Clean as needed	Every 6-12 months
Sensors	Clean once a month or as needed	-

\* Replacement frequency may vary. Parts should be replaced if visible wear appears. If you think you need a replacement part, please contact iRobot Customer Care for more information.

## Cleaning the Edge-Sweeping Brushes

Pull to remove the edge-sweeping brushes.



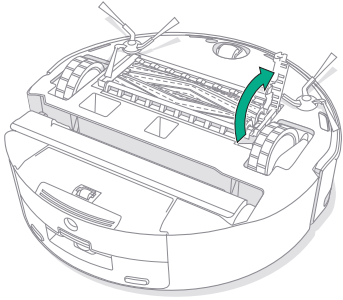
Remove any hair or debris using the cleaning brush, then reinstall the edge-sweeping brushes.



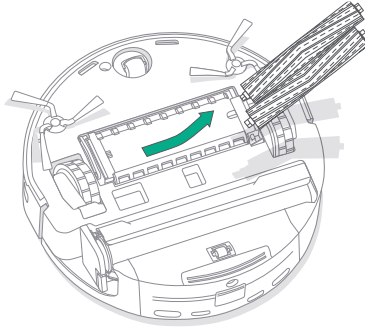
**IMPORTANT:** It is recommended to replace the edge-sweeping brush every 3-6 months to keep your robot cleaning at its best.

## Cleaning the Multi-Surface Brush

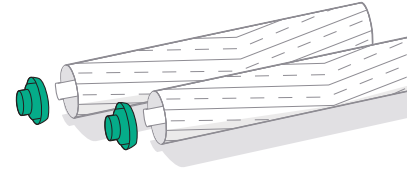
- 1 Pinch the brush frame release tab, lift the tab, and remove any obstructions.



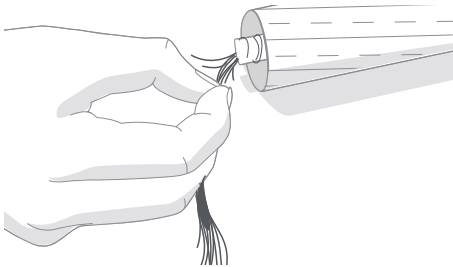
- 2 Remove the multi-surface brushes.



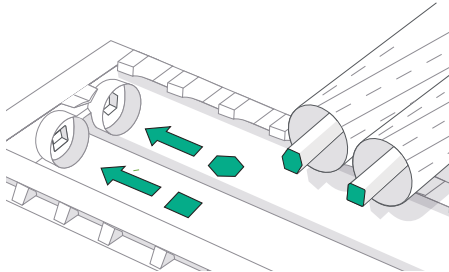
- 3 Remove the end caps from the ends of the brushes.



- 4 Remove any hair or debris that has collected beneath the caps. Replace end caps.



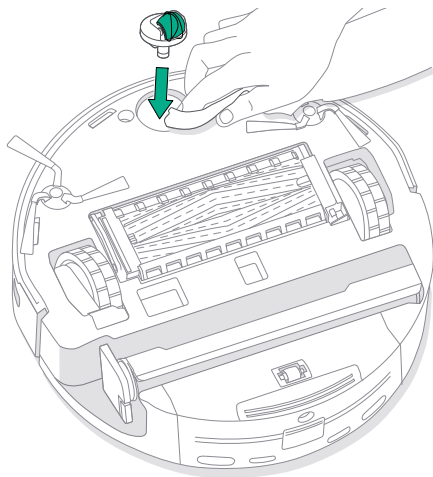
- 5 Reinstall the multi-surface brush and brush cover in the robot.



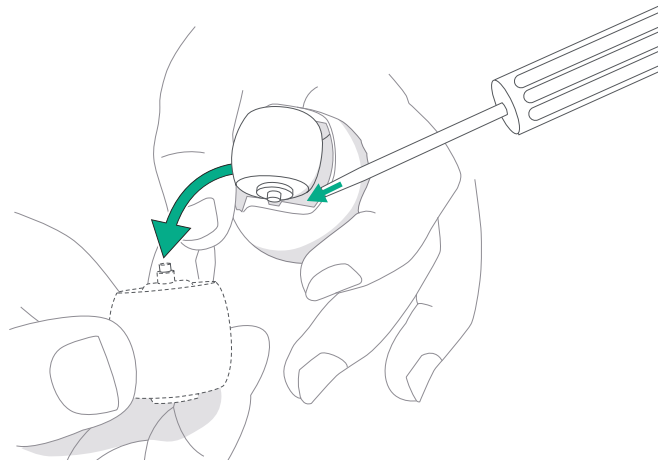
**IMPORTANT:** It is recommended to replace the main brush every 6-12 months to keep your robot cleaning at its best.

## Cleaning the Front Caster Wheel

- 1 Use the cleaning brush to remove hair and debris from the front caster wheel.



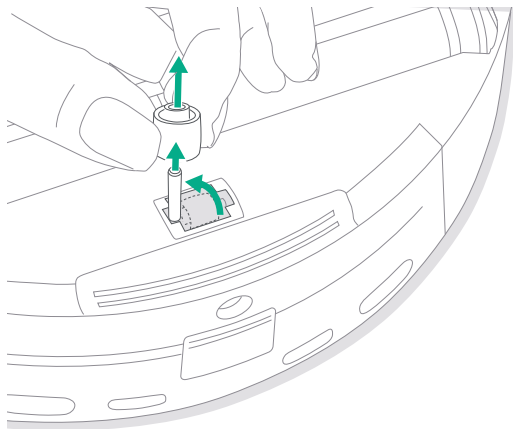
- 2 Use a flathead screwdriver to pry out the wheel, and remove from the caster.



**IMPORTANT:** A front wheel clogged with hair and debris could result in damage to your floor. If the wheel is not spinning freely after you have cleaned it, please contact Customer Care.

## Cleaning the Rear Caster Wheel

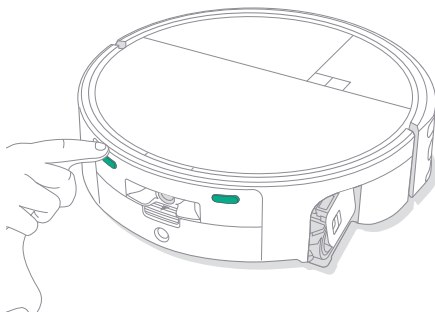
Gently pull the black caster wheel from right to left so it hinges open from the metal bar. Slide the wheel off and use the cleaning brush to remove hair and debris from the rear of the wheel.



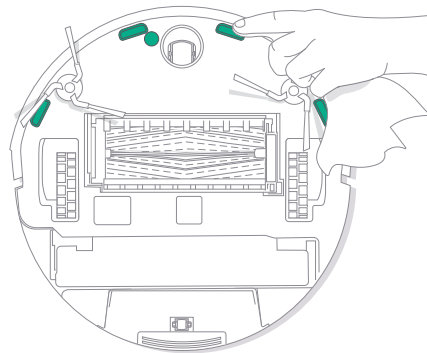
## Cleaning the Charging Contacts and Sensors

Wipe charging contacts and sensors with a clean, dry cloth or lightly dampened melamine foam.

### CHARGING CONTACTS



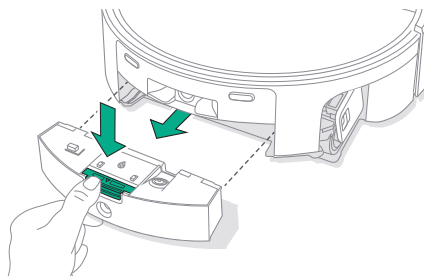
### SENSORS



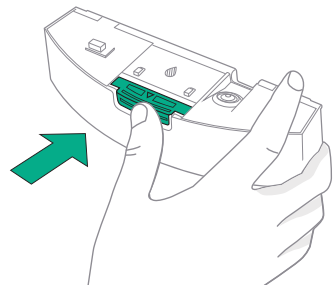
**IMPORTANT:** Do not spray cleaning solution or water onto the sensors or sensor openings.

## Cleaning the Dirty Water Bin

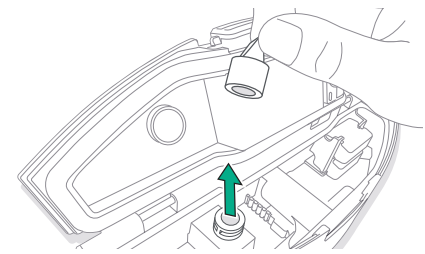
**1** Press **DOWN** on the release button to remove the dirty water bin.



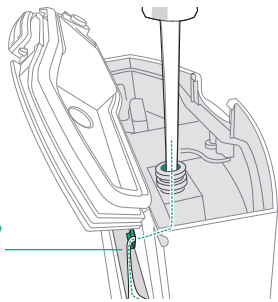
**2** Press **IN** on the same release button to open and lift the dirty water bin lid.



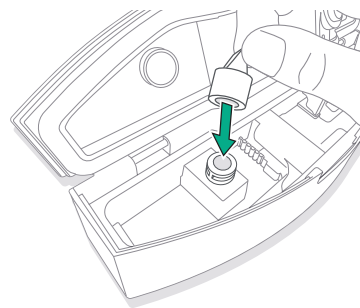
**3** Remove black rubber stopper from inside the dirty water bin to clean the inner tubing leading to the drip tray.



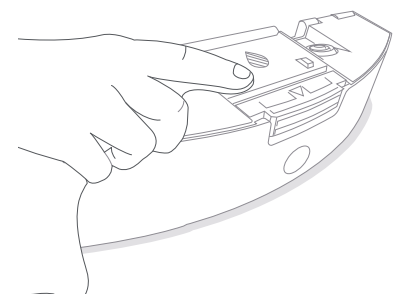
**4** Clean out the dirty water bin and tubing by rinsing under water and wiping away the residue.



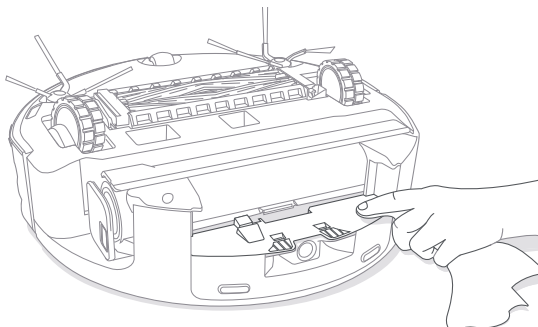
**5** Return the black rubber stopper.



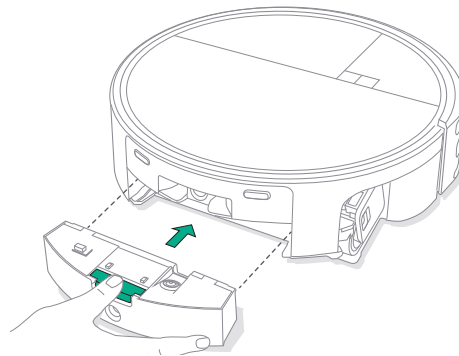
**6** Rinse and wipe away residue from the top surface of the dirty water bin



- 7 Wipe away residue from the undercarriage of the robot. This area must be clear of residue to ensure the dirty water bin slides back into the robot properly.



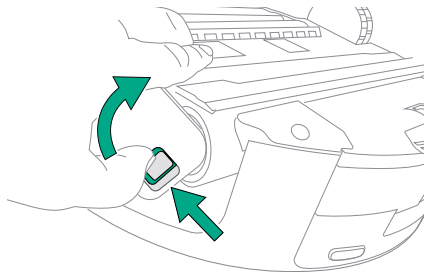
- 8 Reinsert the dirty water bin back into the robot.



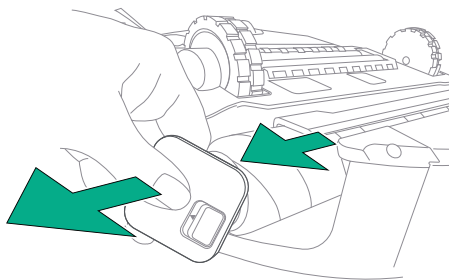
**IMPORTANT:** The Dirty Water Bin is not dishwasher safe. It is important to thoroughly clean the Dirty Water Bin to keep your robot cleaning at its best.

## Cleaning the PowerSpin™ Roller Mop with PerfectEdge®

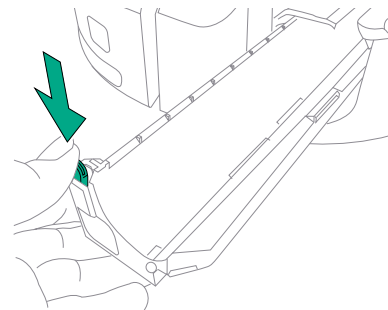
- 1** Slide the green release button over on the edge clip of the PowerSpin™ Roller Mop. This will release the edge clip from the PowerSpin™ Roller Mop Scraper.



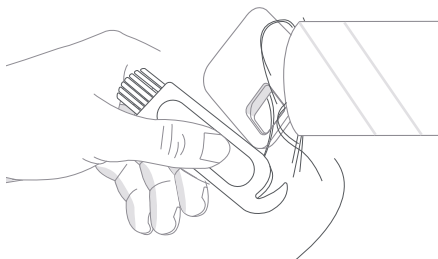
- 2** Hold the edge clip and pull out the PowerSpin™ Roller Mop.



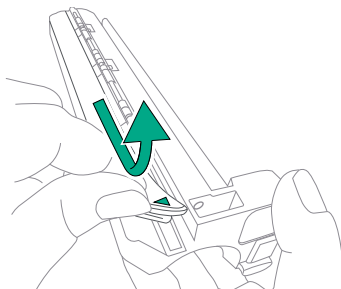
- 3** Press release button on the PowerSpin™ Roller Mop Scraper Assembly and slide the scraper out.



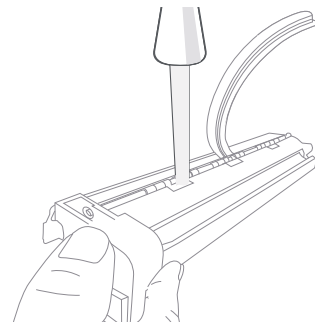
- 4** Clear all hair and debris free from behind and between the edge clip and roller mop scraper.



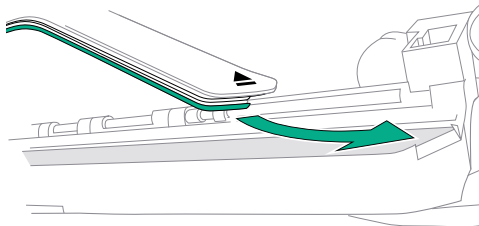
- 5** Gently peel back the rubber strip by lifting from the corner marked with an arrow, leaving the opposite end attached. .



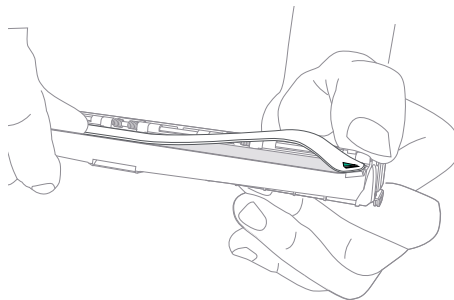
- 6** Rinse and wipe clean any residue on and from beneath the rubber strip.



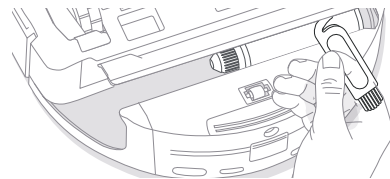
- 7 Reinsert the rubber strip starting from the same side you pulled to remove the strip marked with an arrow.



- 8 Press down the rubber strip starting from the opposite of the inserted side until it lays completely flat all the way across.

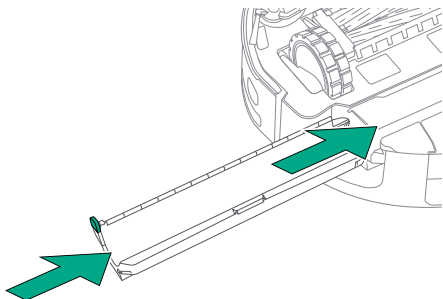


- 9 With the roller mop cover in the retracted position, clean the actuator so it's free of debris and build-up.

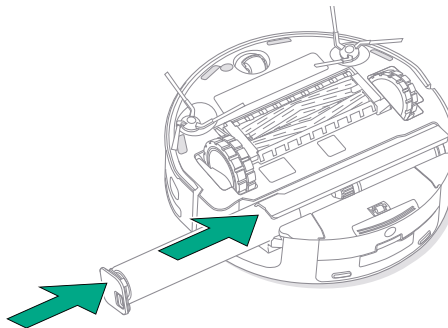


**IMPORTANT:** If the roller mop cover is closed, do not try to force it open. Please visit [global.irobot.com](http://global.irobot.com) for assistance.

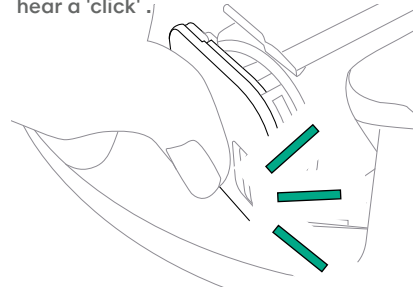
- 10 Reinstall the PowerSpin™ Roller Mop Scraper.



- 11 Reinstall PowerSpin™ Roller Mop.

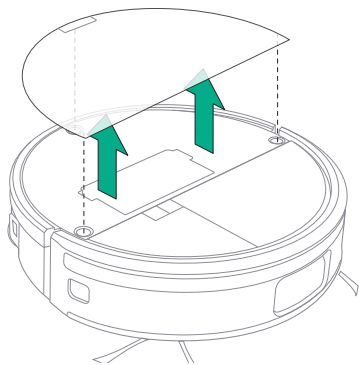


- 12 PowerSpin™ Roller Mop Scraper is properly installed in place when you hear a 'click'.

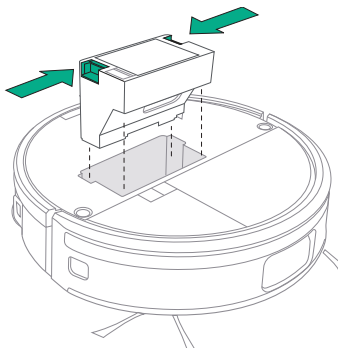


## Cleaning the Filter and Dust Bin

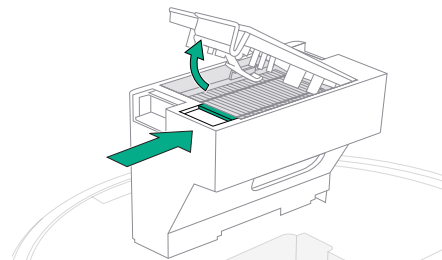
- 1 Remove robot top cover by lifting up.



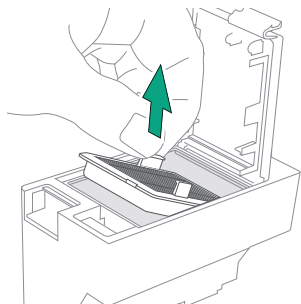
- 2 Press the dust bin release buttons to remove dust bin.



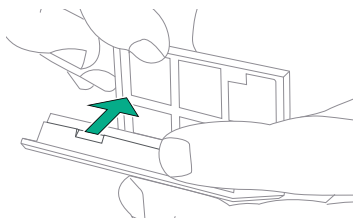
- 3 Push release tab to lift open bin door.



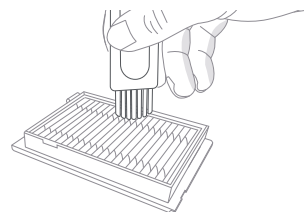
- 4 Remove filter



- 5 Remove filter screen

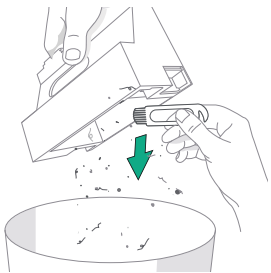


- 6 Clean debris with cleaning brush.

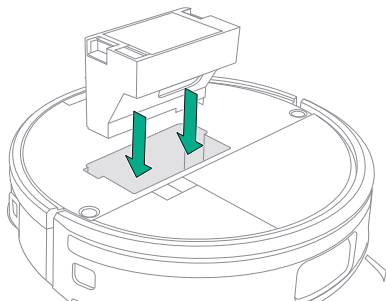


**NOTE:** Filter Screen can be washed but needs to be completely dry before reattaching to the filter

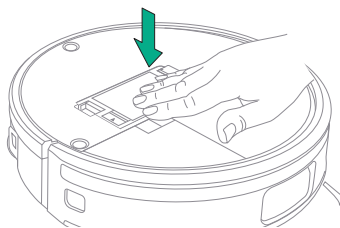
- 7 Empty and clean debris from dust bin, with cleaning brush or a clean cloth.



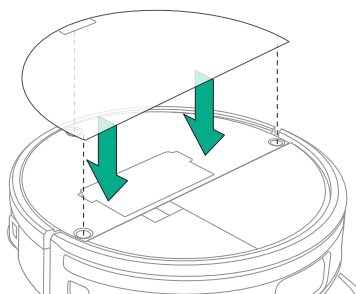
- 9 Place bin back in the robot.




- 8 Replace the mesh back onto the Filter. Reinsert filter. Close bin door. You should hear a click if filter is properly inserted.



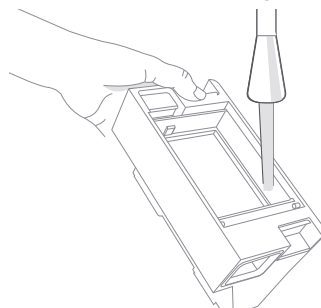
- 10 Return robot top cover



**NOTE:** If you place your robot on the dock by hand, it will not empty automatically. In this case, use the Roomba® Home App or press .

## Washing the Bin

- 1 Release the bin, remove the filter, and open the bin door.
- 2 Rinse the dust bin using warm water.



- 3 Make sure bin is completely dry. Reinsert filter and place bin back in the robot.



**IMPORTANT:** The bin is not dishwasher safe.



**IMPORTANT:** To achieve optimal performance with your robot and dock, clean and/or replace your robot's filter as needed.

# Care and Maintenance for your AutoWash™ Dock

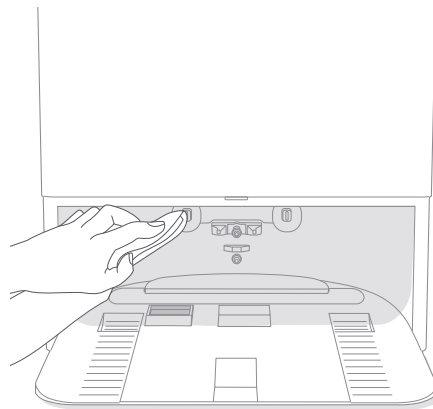
To keep your AutoWash™ Dock running at optimal performance, perform the procedures on the following pages.

Part	Care Frequency	Replacement Frequency*
Charging Contacts	Once every month	-
Sensors	Clean once a month	-
IR Window	Clean once a month	-
Bags	-	Bags should be replaced when full - prompted by the LED indicator on the AutoWash™ Dock and/or Roomba® Home App
Washing Basin and Air Duct	Clean every 2 weeks or as needed	
Clean Water Tank	Rinse and refresh water as needed	
Dirty Water Tank	Rinse and empty as needed	
Dock Filter	Once every month (remove debris from AutoWash™ Dock filter)	

\* Replacement frequency may vary. Parts should be replaced if visible wear appears. If you think you need a replacement part, please contact iRobot Customer Care for more information.

## Cleaning the Charging Contacts and IR Window

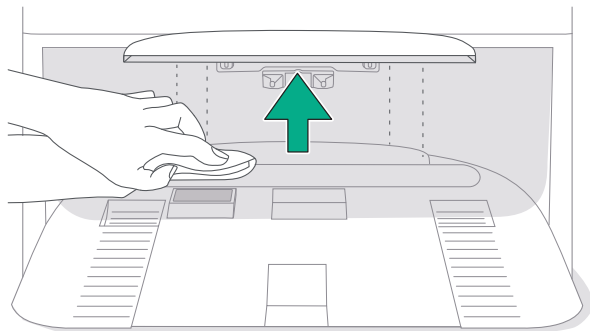
Inspect the components to make sure that they are clear of debris. Wipe with a clean, dry cloth.



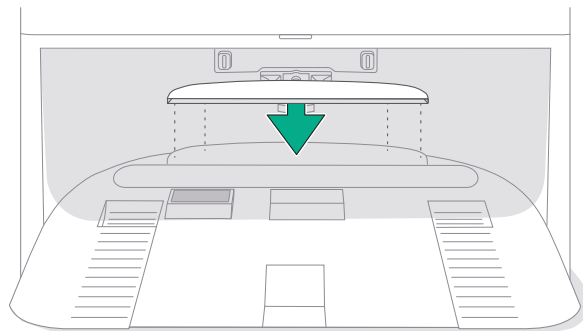
**IMPORTANT:** Do not spray cleaning solution or water onto the sensors or sensor openings.

## Cleaning the PowerSpin™ Roller Mop Washing System and Duct Vent

- 1 The duct vent cover is attached via a magnet. Lift the duct vent cover to carefully wipe out debris underneath and around the duct vent and mop washing basin with a clean dry cloth. Ensure there are no obstructions in the drainage port. Mild soap and a sponge may be used for stubborn debris.



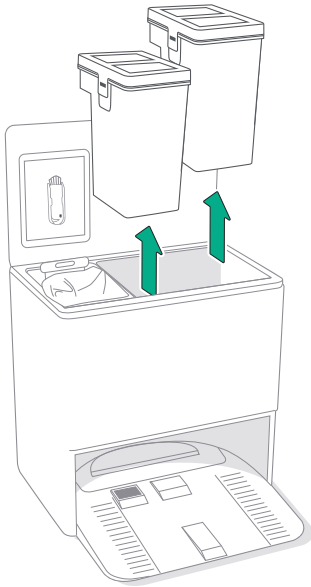
- 2 Reinstall duct vent cover.



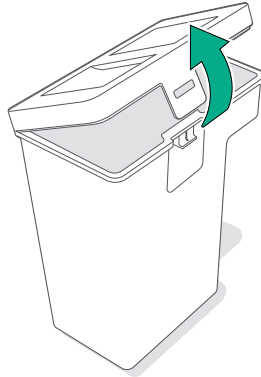
**IMPORTANT:** When wiping the area clear of debris, be careful not to push debris into the hole located towards the back where air comes out.

## Washing the Water Tanks

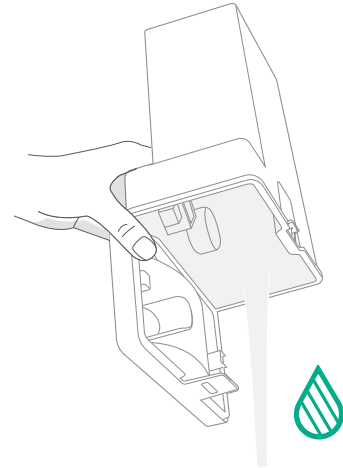
1 Remove both water tanks.



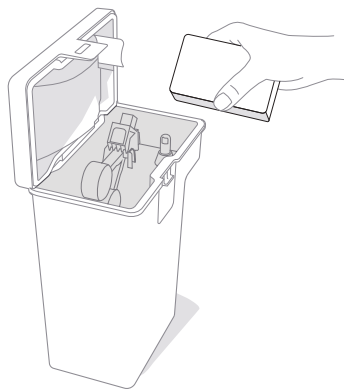
2 Lift the latch on the water tanks to open.



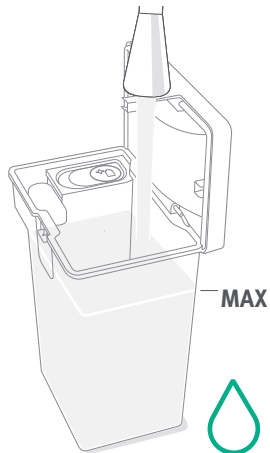
3 Empty dirty water tank.



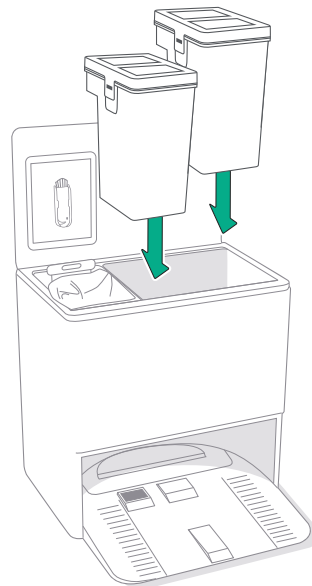
- 4 Rinse both water tanks using warm water. Mild soap and a sponge may be used for stubborn debris. Solution reservoir may also be cleaned when needed.



- 5 Refill the clean water tank with water. Leave the dirty water tank empty.



- 6 Reinsert both water tanks



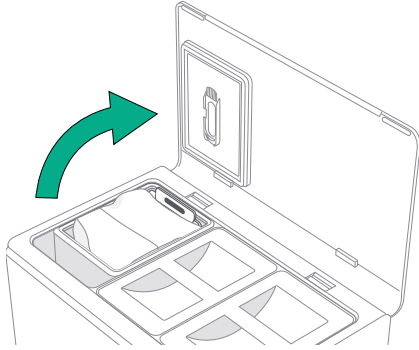
**IMPORTANT:** Water tanks are not dishwasher safe.



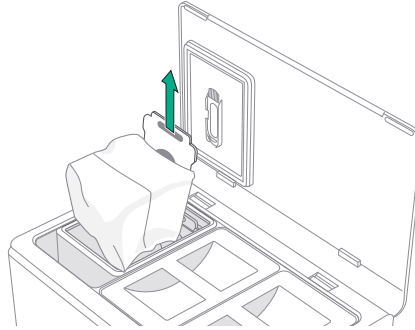
**IMPORTANT:** Ensure the latch is properly closed on the water tanks before reinstalling.

## Replacing the Bag

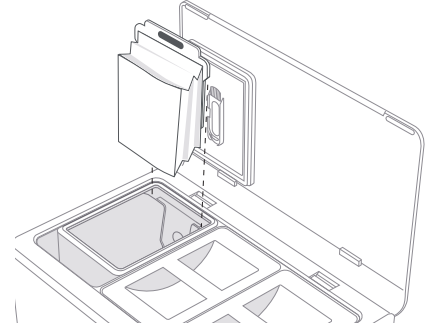
- 1** Lift up on the canister lid to open.



- 2** Pull up on the card to remove the bag from the canister.



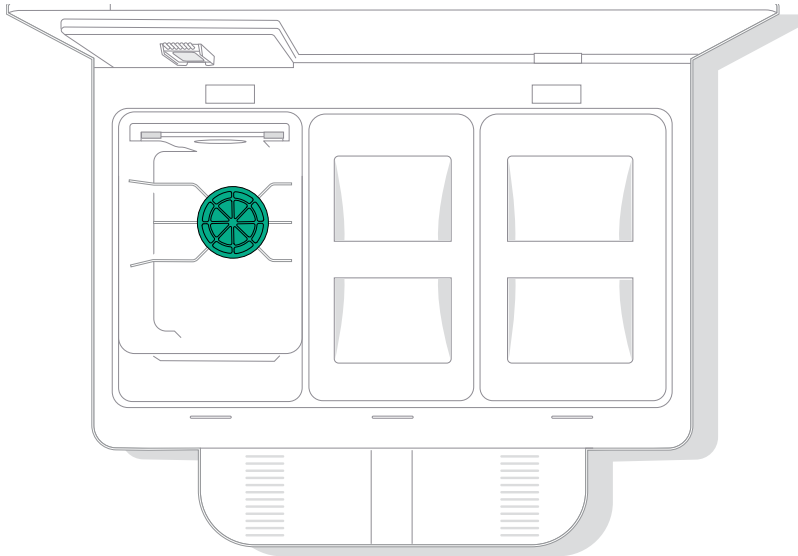
- 3** Install a new bag by sliding the card into the guide rails.



- 4** Press down on the lid making sure that it is completely closed.

## Removing Debris from Dock Filter

Inspect blower cover for any lint or debris build-up, and wipe with a clean dry cloth to remove.





# Troubleshooting

## Troubleshooting your Robot

Your robot will alert you if something is wrong with a voice announcement or audio alert. The Roomba® Home App will also provide notifications with steps to troubleshoot any issues.

If you are unsure if the robot is finished or paused, consult the Roomba® Home App to check on its status.



## Factory Reset

To factory reset press  for 5 seconds and then (within 5 seconds) press  +  for 5 seconds.

## BATTERY SAFETY AND SHIPPING



**WARNING:** Lithium ion batteries and products that contain lithium ion batteries are subject to stringent transportation regulations. If you need to ship this product for service, travel or any other reason, you **MUST** follow the below shipping instructions.

- Battery **MUST** be turned off before shipping.
- Turn off the battery by removing the robot from the AutoWash™ Dock and holding down  for 10 seconds. Press the bumper in for 10 seconds while holding the  button. All indicators will then turn off.
- Package the robot securely for shipping.

If you need further assistance, please visit your Roomba® Home App, contact our Customer Care team or visit [global.irobot.com](https://global.irobot.com).

## Troubleshooting your AutoWash™ Dock

Your AutoWash™ Dock will tell you if something is wrong with a red LED indicator on the top of the AutoWash™ Dock. Refer to your Roomba® Home App for troubleshooting steps. If the AutoWash™ Dock is not performing as expected, check the Roomba® Home App for errors.

LED Indicator	Status	How to fix
Left - Bag Full LED Indicator	Bag is full or missing	Replace bag if it is full or missing. Make sure that the bag is securely inserted. If problem persists, remove any debris from the port on the bottom of your robot and AutoWash™ Dock.
Center - Dirty Water Tank LED Indicator	Dirty water tank is full or missing	Empty dirty water tank.
Right - Clean Water Tank LED Indicator	Clean water tank is empty or missing	Fill clean water tank with clean water.

This product has been equipped with a thermal protector designed to protect against damage due to overheating. If the protector operates, the motor will stop running. If this happens, unplug the unit, allow it to cool for 30 minutes, clear any obstructions from the evacuation port and evacuation tube, then plug the unit back in.



## Need further assistance? We're here to help.

Download the Roomba® Home App or visit [global.irobot.com](https://global.irobot.com) for product support or to contact your local support center. If you need further assistance in the US & Canada, call the US Customer Care team at (877) 855-8593.

### **iRobot USA Customer Care Hours**

Monday to Friday, 9AM — 9PM Eastern Time

Saturday and Sunday 9AM — 6PM Eastern Time

## Safety Information

Please see the safety guide that came with your robot, or visit [global.irobot.com](https://global.irobot.com)



WC# 4856350 vB



©2025 iRobot Corporation, 8 Crosby Drive, Bedford, MA 01730 USA. All rights reserved. iRobot, Roomba, and PerfectEdge are registered trademarks of iRobot Corporation. AutoEmpty, AutoWash, StayClean, and PrecisionVision are trademarks of iRobot Corporation. Wi-Fi and the Wi-Fi logo are registered trademarks of Wi-Fi Alliance. Apple and App Store are trademarks of Apple Inc., registered in the U.S. and other countries. Google Play is a trademark of Google LLC.