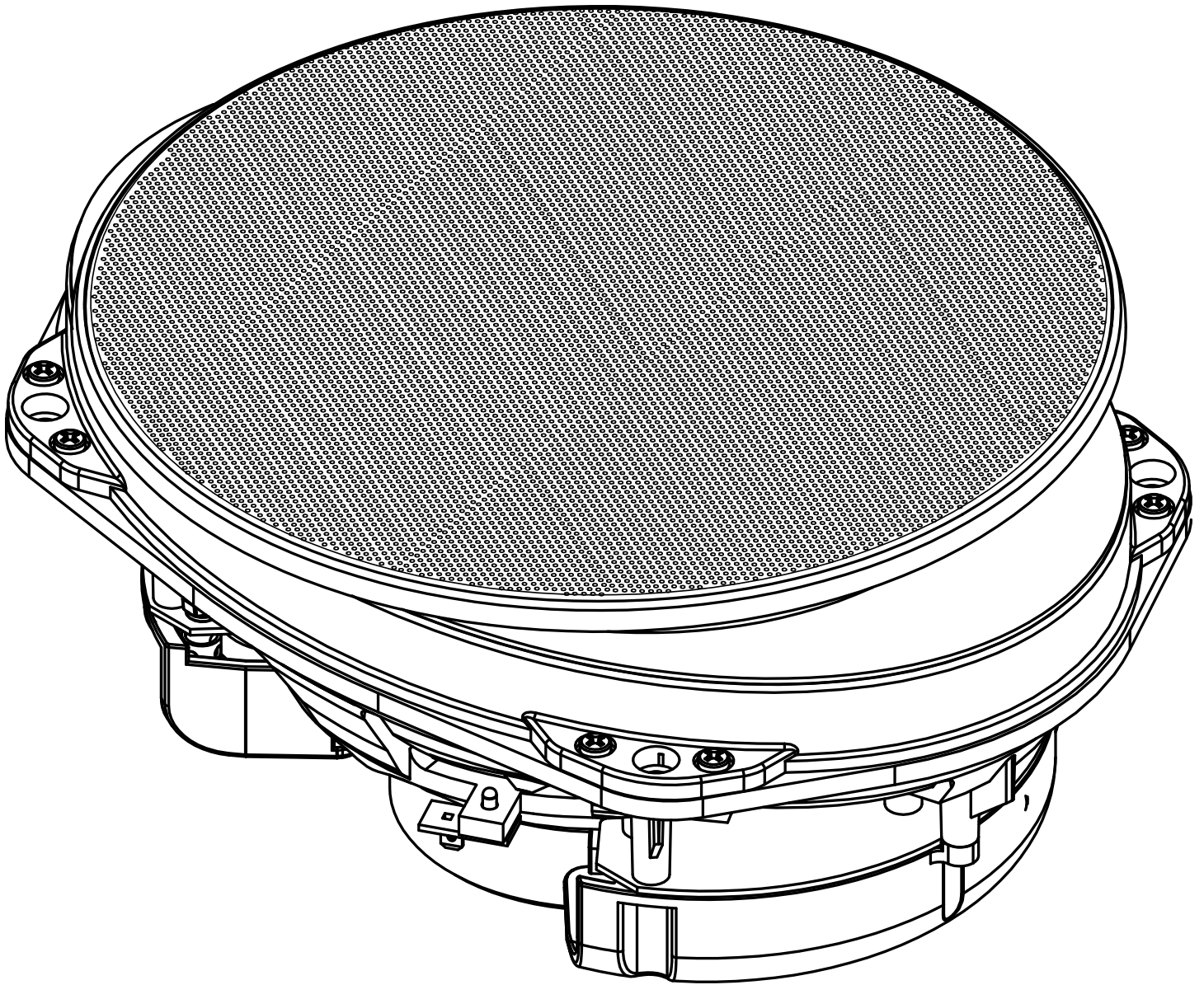




# USER GUIDE

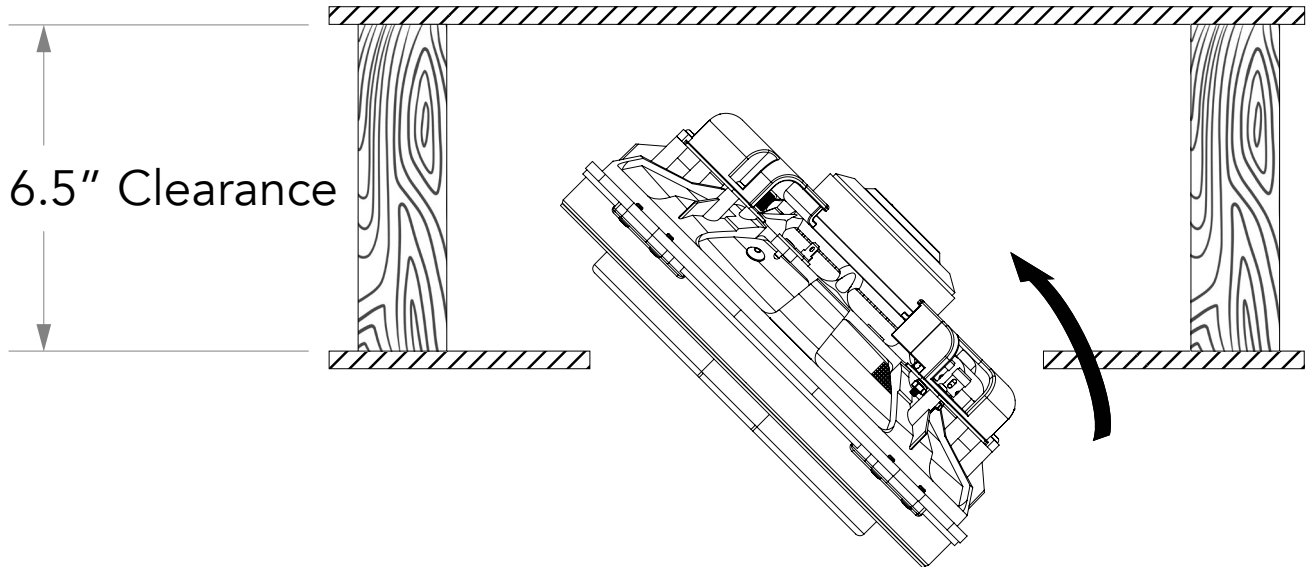
## OVATION

---



# INSTALLATION NOTES:

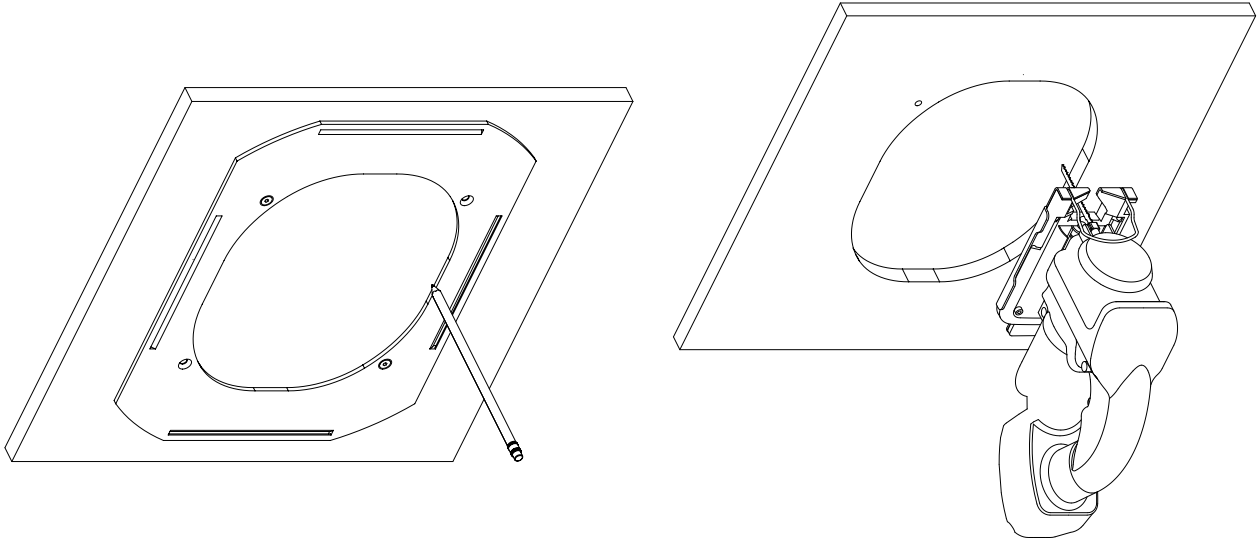
- Minimum interior ceiling depth needed for installation: 6.5"



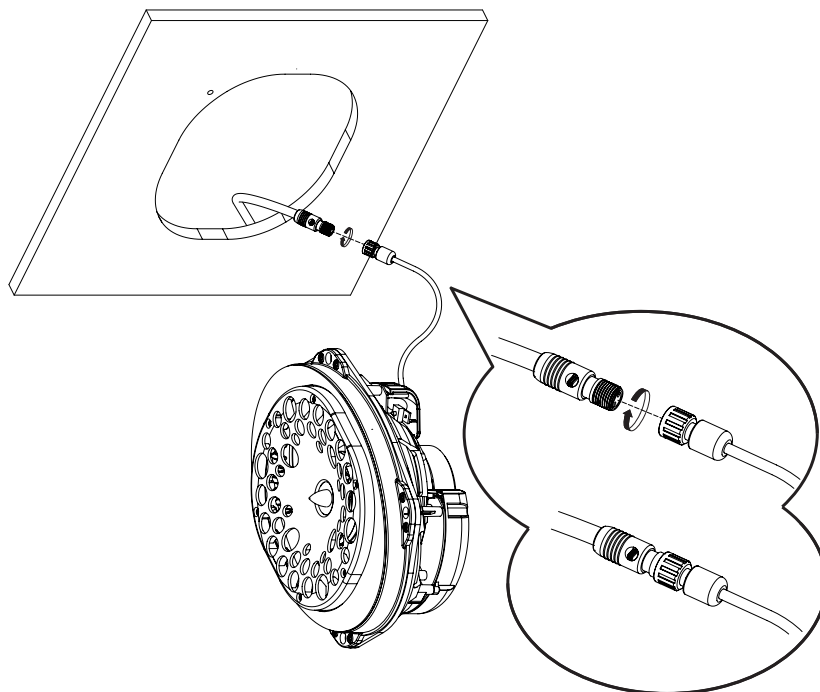
- Minimum ceiling thickness: 0.5"
- The supplied stainless-steel hardware will allow the Ovation to be installed in ceiling thicknesses between X and Y. If the ceiling thickness is outside of this range, 3rd party hardware may be used. The size is 8-32.
- In addition to the cutout template provided with each Ovation speaker, we also offer a New Construction Bracket (NCB) with perforated wings that allow the template to be fastened to joists up to 24" apart before ceiling material is installed.
- The NCB can also be used as a guide for cuts in retrofit applications.

# RETROFIT:

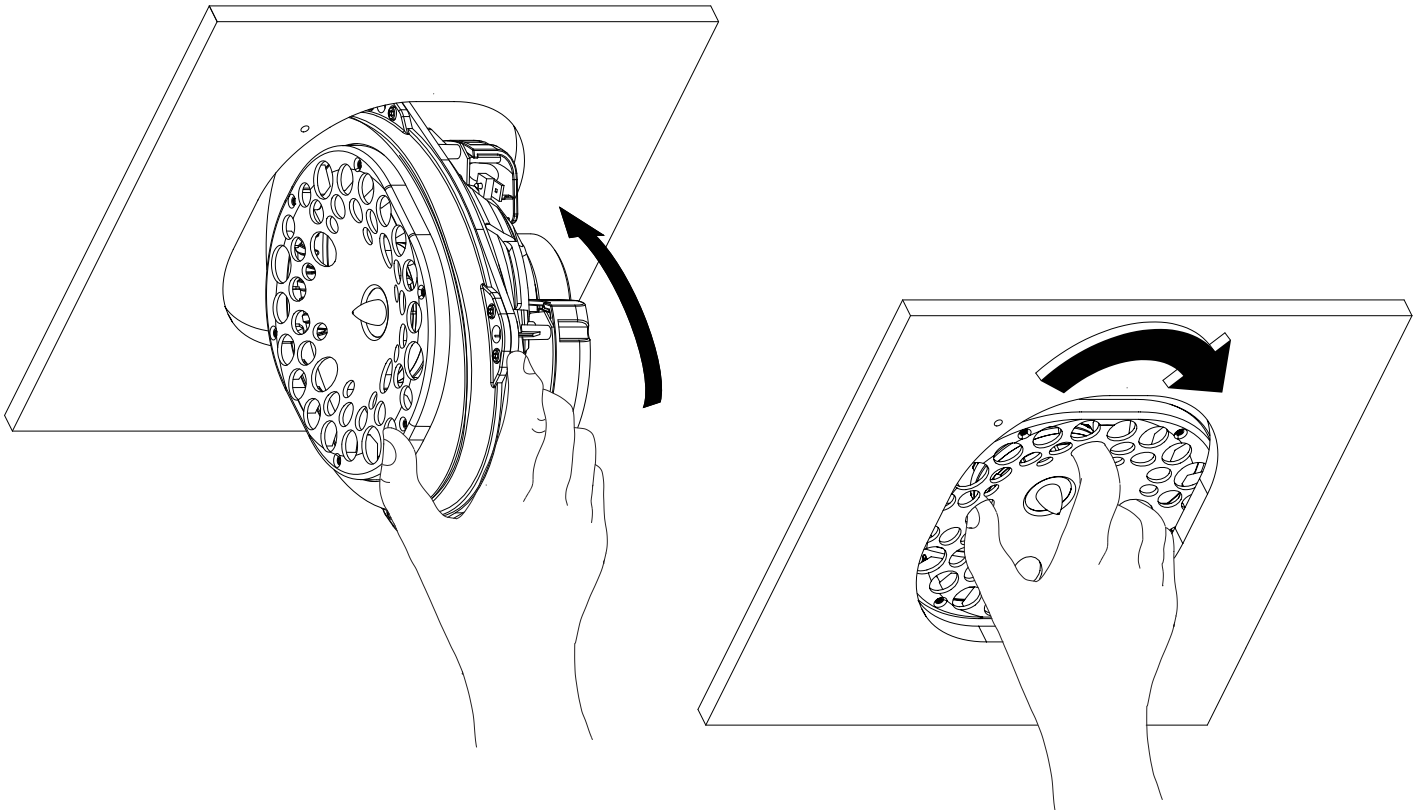
- 1 Locate the speaker installation location and ensure there are no obstructions behind the ceiling.
- 2 Using the cutout template, mark and cut the opening.  
**The NCB may also be used as a guide and can be mounted to the ceiling.**



- 3 Route the speaker wire to the install location.
- 4 Connect the Ovation speaker with the already connected CMC pigtail cable.  
The CMC pigtail can also be removed from the spring terminals if standard speaker cable is to be used.

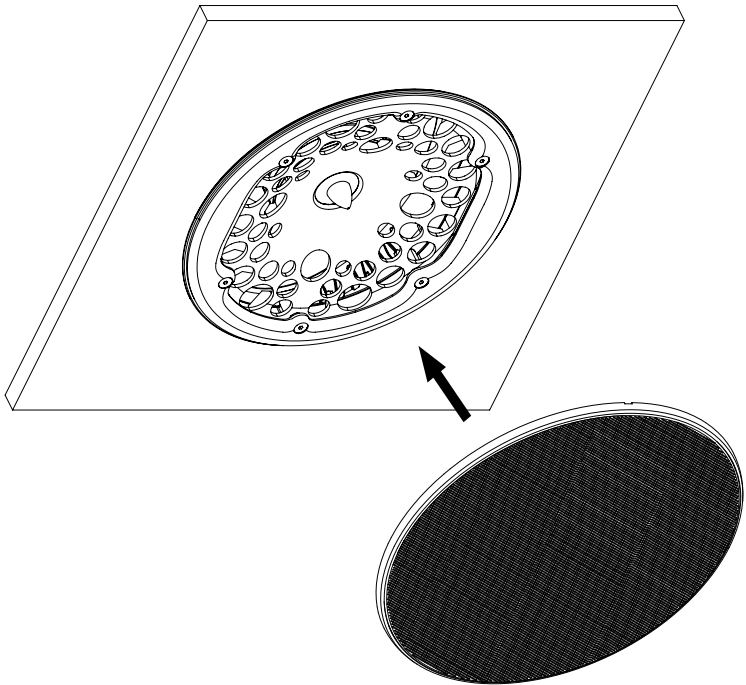
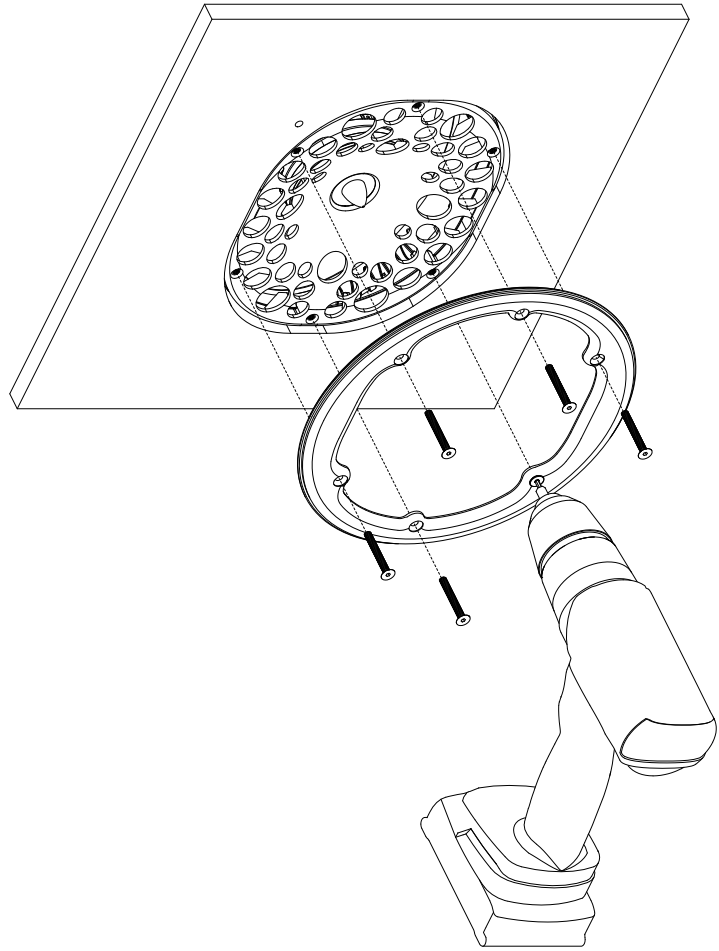


- 5 Rotate the speaker so it can pass through the opening. Using the finger holes in the waveguide, set the speaker into the opening.



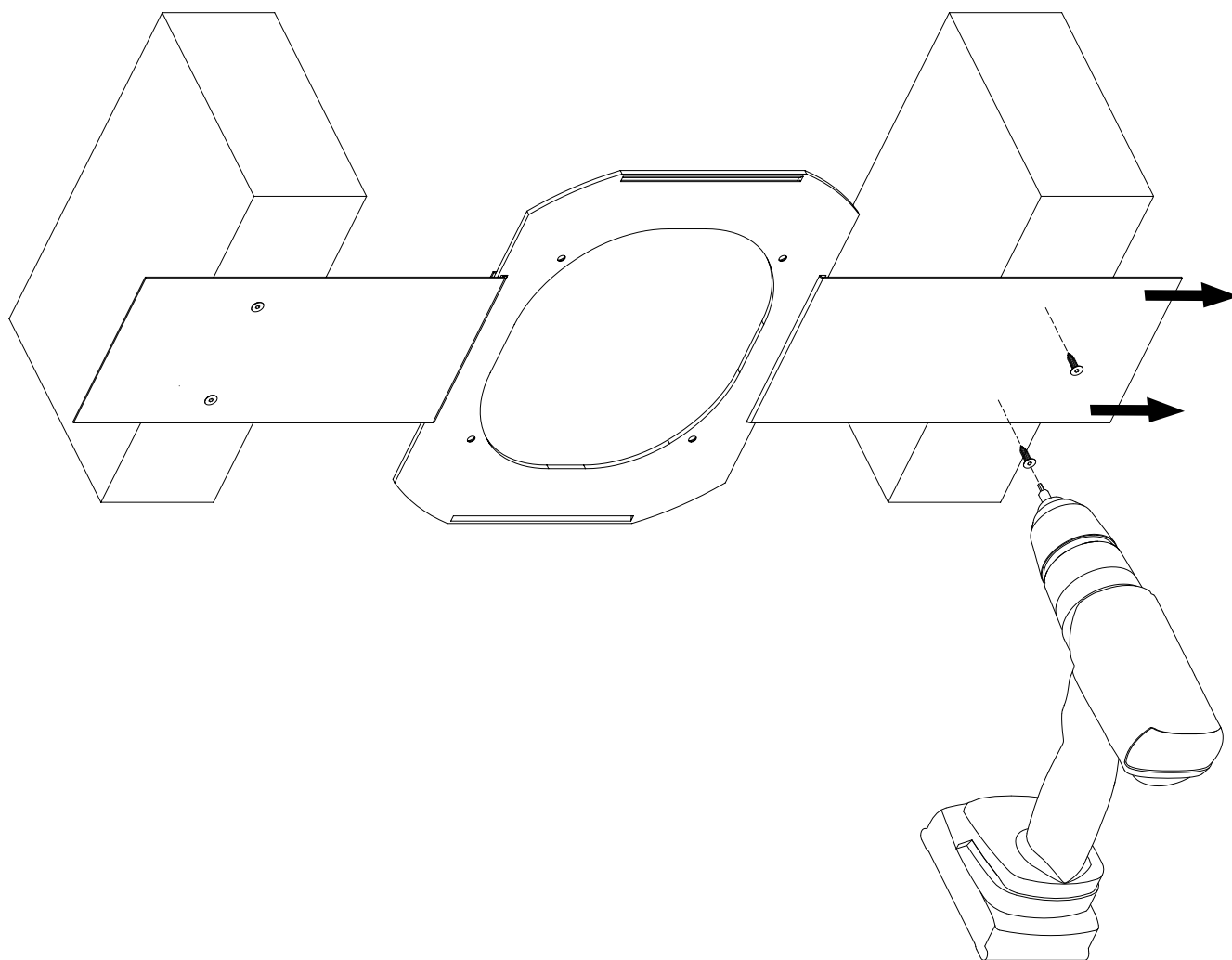
- 6 Remove the white snap-on circular grille from the aluminum mounting ring. If you would like to paint the grill a different color, refer to the painting instructions below.
- 7 Using the (6) provided screws of appropriate length (refer to table below), install the aluminum mounting ring to the speaker. The length of the screws will depend on how thick the ceiling material is and how far back the speaker is recessed. Avoid overtightening.
- 8 Re-attach the snap-on circular grille to the mounting flange.

Thickness range	Screw length
1/2" - 3/4"	3/4"
3/4" - 1 1/4"	1 1/8"
1 1/4" - 1 1/2"	1 1/2"

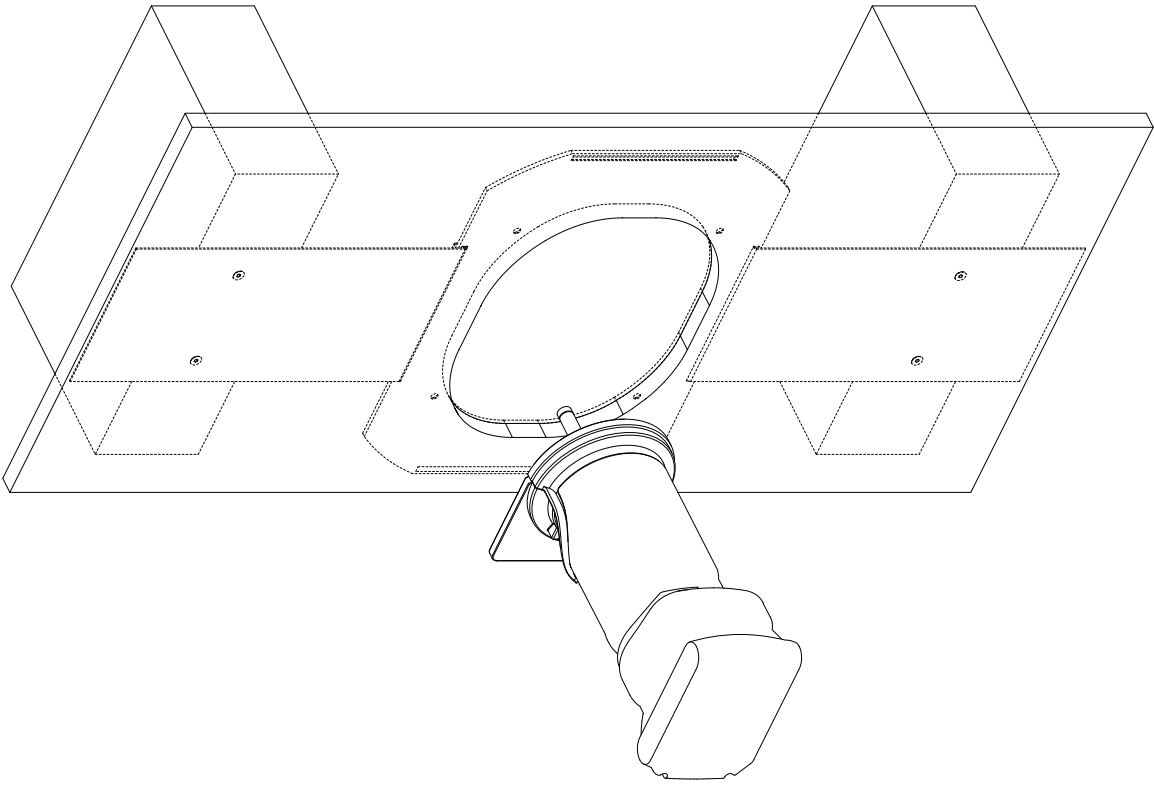


# NEW CONSTRUCTION:

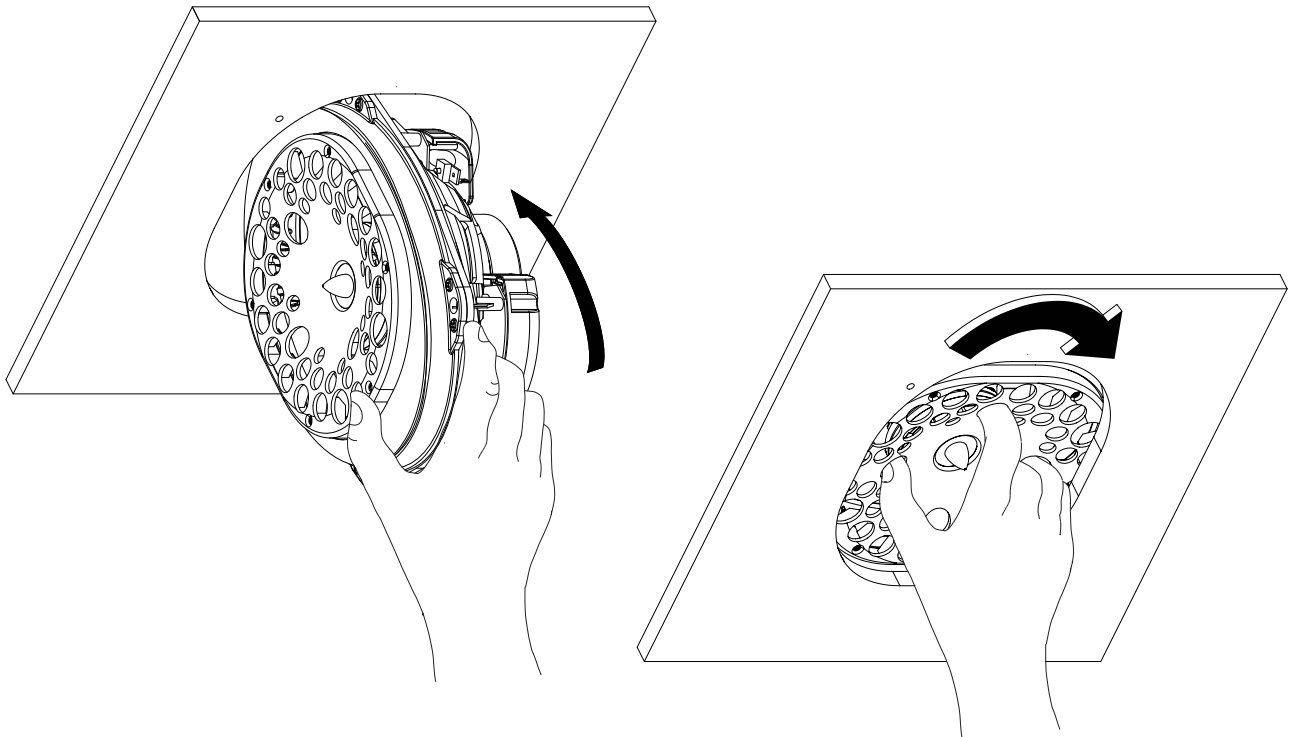
- 1 Identify the desired speaker location, ensuring that there is at least 6.5" of ceiling depth.
- 2 Pull the perforated wings through the slots on the NCB. Secure one of the wings to the first joist.
- 3 Pull the opposite wing tight, and secure to the second joist.



- 4 Route the speaker wire to the installation location and tape or fasten the wire above the installation location or to the NCB to avoid cutting the wire.  
**Note:** Installer will need to mark the NCB location so it can be identified after ceiling material is installed.
- 5 If the ceiling material is drywall, the NCB can be left behind the ceiling, and the hole can be cut out using the NCB as a guide. If the ceiling material is rigid, the NCB will need to be removed before the ceiling is installed.
- 6 Use tool of choice to make the cutout, following the inside edge of the bracket for guidance if left inside the ceiling, or by cutting the outside with the template.

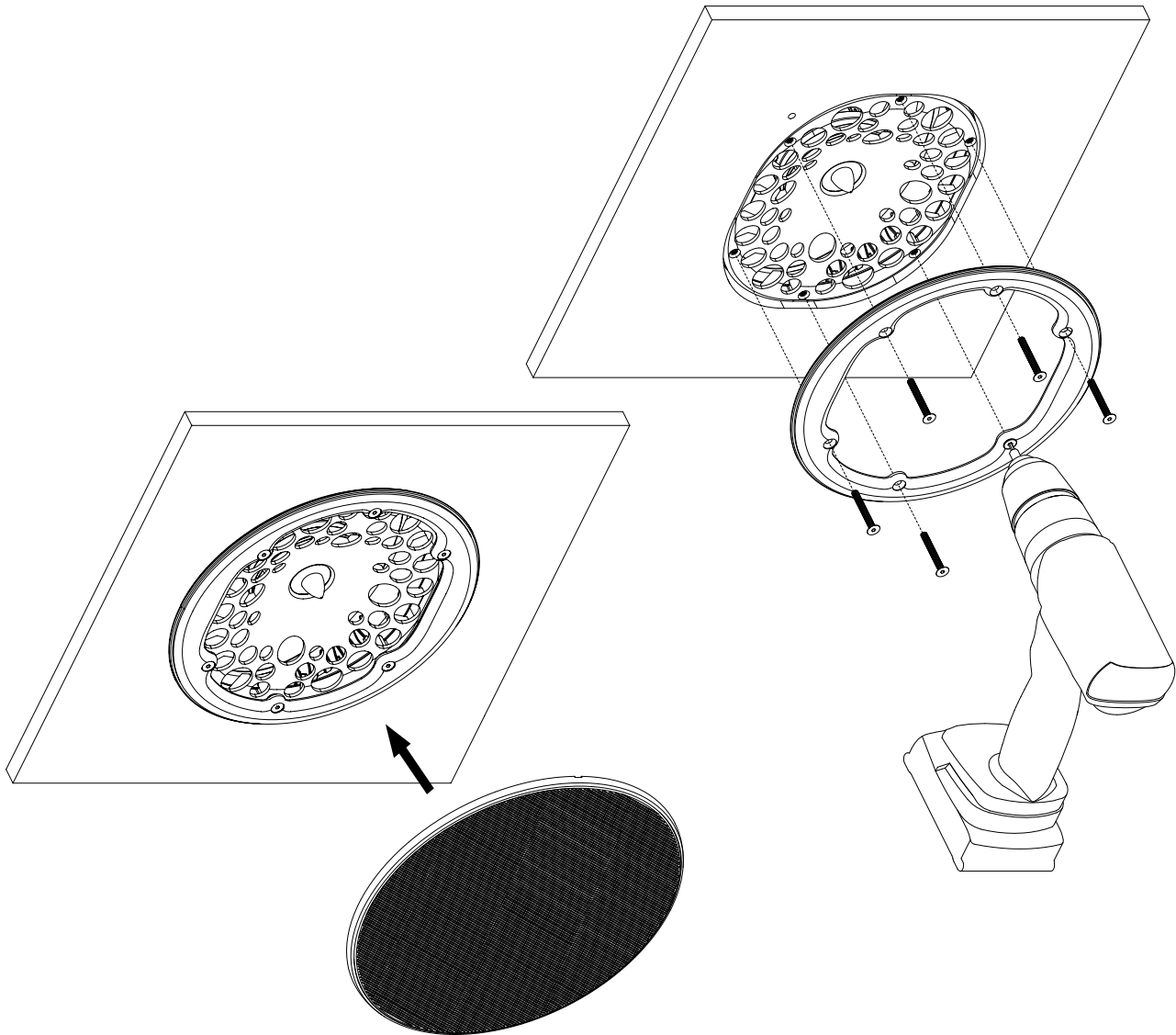


- 7 Connect the Ovation speaker with the already connected CMC pigtail cable. The CMC pigtail can also be removed from the spring terminals if standard speaker cable is to be used.
- 8 Rotate the speaker until it can pass through the opening. Using the holes in the waveguide, set the speaker waveguide into the opening.



- 9 Remove the white snap-on circular grille from the aluminum mounting ring. If you would like to paint the grille a different color, refer to the painting instructions below.
- 10 Using the (6) provided screws of appropriate length (refer to table below), install the aluminum mounting ring to the speaker. The length of the screws will depend on how thick the ceiling material is and how far back the speaker is recessed. The screws should be firmly tightened but not overtightened to avoid warping the grille mounting flange.

Thickness range	Screw length
1/2" – 3/4"	3/4"
3/4" – 1 1/4"	1 1/8"
1 1/4" – 1 1/2"	1 1/2"



# PAINTING INSTRUCTIONS:

- 1 Remove the white snap-on grille trim from the aluminum mounting ring.
- 2 Using the pull tabs, remove the scrim cloth from the grille.
- 3 Paint the perforated grille and trim to the desired color. A pressurized paint sprayer is recommended. Ensure that excess paint does not build up in the grille perforations. If the paint is still wet, compressed air can be used to clear the excess. If dry, a pin or needle can be used.
- 4 Using a spray adhesive, lightly coat inside of the metal grille and re-apply the scrim cloth.
- 5 Snap the grille back onto the mounting flange to complete the installation.