

36" Downdraft



800 Series Downdraft – HDD86052UC



HDD86052UC
Stainless Steel

Sleek, built-in, and retracts out of sight. Bosch 36" Downdraft's flexible design seamlessly integrates into your kitchen

Features & Benefits

Beautifully designed to preserve clean sight lines when not in use

Sleek front panel filter design acts as a guard against splatters

6 exhaust connections possible (transition sold separately)

Recirculation kit for sale for use in non ducted applications*

General Properties

Operating mode	Convertible: ducted / recirculating
Maximum CFM	Blower sold separately
Number of speed settings	3-stage
Motor location	External
Damper included	No
Grease filter material	Aluminum
Grease filter type	Multilayer cassette
Duct direction	Front, Left, Right, Rear, Down
Optional blower required	Yes (600 CFM options sold separately)

Technical Details

Volts	120 V
Frequency	60 Hz
Plug type	120V-3 prong
Power cord length	30"

Dimensions & Weight

Overall appliance dimensions (width of canopy included) (HxWxD)	44 3/8" x 37" x 2 3/4"
Height of the rise	15"
Diameter of air duct-internal	8"
Diameter of air duct-external	6" or 8"
Net weight	47 lbs

Accessories – Required

Blower (sold separately)

Accessories – Transitions & Blowers

6" side / rear / downward transition	HDDSTRAN6
8" side / rear / downward transition	HDDSTRAN8

NOTE: HDDSTRAN6 or HDDSTRAN8 required for side, rear or downward exhaust applications with inline and remote blowers.

6" round front plate	HDDFTRAN6
8" round front plate	HDDFTRAN8

NOTE: HDDFTRAN6 or HDDFTRAN8 required for front exhaust applications with inline and remote blowers.

Transition for rectangular duct	HDDSTRAN2
2' rectangular duct	HDD2RECTD

NOTE: HDDSTRAN2 needed to attach HDD2RECTD to downdraft. For use with installation of inline or remote blower applications.

600 CFM flexible blower	DHG602DUC
600 CFM inline blower	DHI1FZUC
600 CFM remote blower	DHR1FZUC

Accessories – Optional

Recirculation kit (compatible with electric and induction cooktops only)	HDDREC5UC
Charcoal filter replacement for recirculation kit	HDDFILTUC
36" Gas Cooktop Seal Kit for Downdraft (required for installation with gas cooktops)	HDD6RSP
Trim Kit for 36" FlameSelect® Gas Cooktops	HDDTRIM36S



*Recirculation kit is not compatible with gas cooktop installations with downdraft

Accessories: To purchase Bosch accessories, cleaners & parts please visit www.bosch-home.com/us/store or call 1-800-944-2904 (Mon to Fri 5 am to 6 pm PST, Sat 6 am to 3 pm PST).

Notes: All height, width and depth dimensions are shown in inches. BSH reserves the absolute and unrestricted right to change product materials and specifications, at any time, without notice. Consult the product's installation instructions for final dimensional data and other details prior to making cutout.

Warranties: Please see Use & Care manual or Bosch website for statement of limited warranty.

For more information on our entire line of products, go to www.bosch-home.com/us or call 1-800-944-2904

© BSH Home Appliances Corporation. All rights reserved. Bosch is a registered trademark of Robert Bosch GmbH.

36" Downdraft



800 Series Downdraft – HDD86052UC

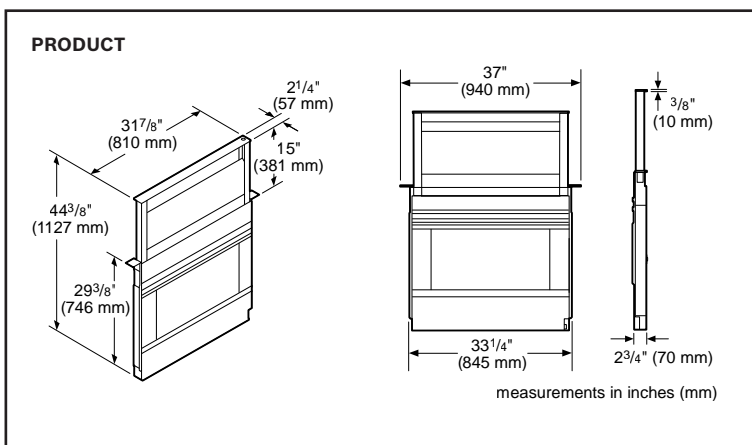
HVI Performance Values (CFM & Sones)

Downdraft HDD80052UC with Blower DHG602DUC							
Blower	Exhaust Discharge	Duct Size	Speed	Static Pressure (in w.g.)	WATTS	CFM	Sones
DHG602DUC	Inline	8" Dia	High	0.2	358	600	N/A
DHG602DUC	Front intake with compatible 36" Downdraft	8" Dia	High	0.1	306	450	11
DHG602DUC	Front intake with compatible 36" Downdraft	8" Dia	Working	0.016	69.4	180	1.2



HVI-2100 CERTIFIED RATINGS comply with new testing technologies and procedures prescribed by the Home Ventilating Institute, for off-the-shelf products, as they are available to consumers. Product performance is rated at 0.1 in. static pressure, based on tests conducted in AMCA's state-of-the-art test laboratory. Sones are a measure of humanly perceived loudness, based on laboratory measurements.

Installation Details



Accessories: To purchase Bosch accessories, cleaners & parts please visit www.bosch-home.com/us/store or call 1-800-944-2904 (Mon to Fri 5 am to 6 pm PST, Sat 6 am to 3 pm PST).

Notes: All height, width and depth dimensions are shown in inches. BSH reserves the absolute and unrestricted right to change product materials and specifications, at any time, without notice. Consult the product's installation instructions for final dimensional data and other details prior to making cutout.

Warranties: Please see Use & Care manual or Bosch website for statement of limited warranty.

For more information on our entire line of products, go to www.bosch-home.com/us or call 1-800-944-2904

© BSH Home Appliances Corporation. All rights reserved. Bosch is a registered trademark of Robert Bosch GmbH.

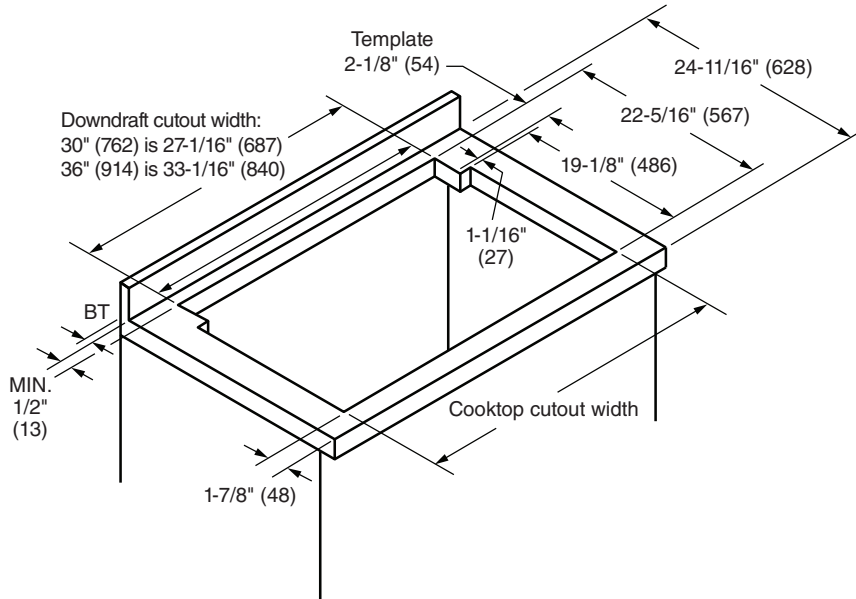
36" Downdraft



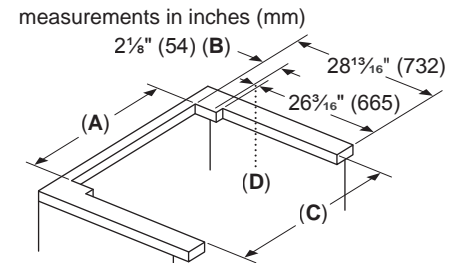
800 Series Downdraft – HDD86052UC

Installation Details – Cutouts

GAS COOKTOP

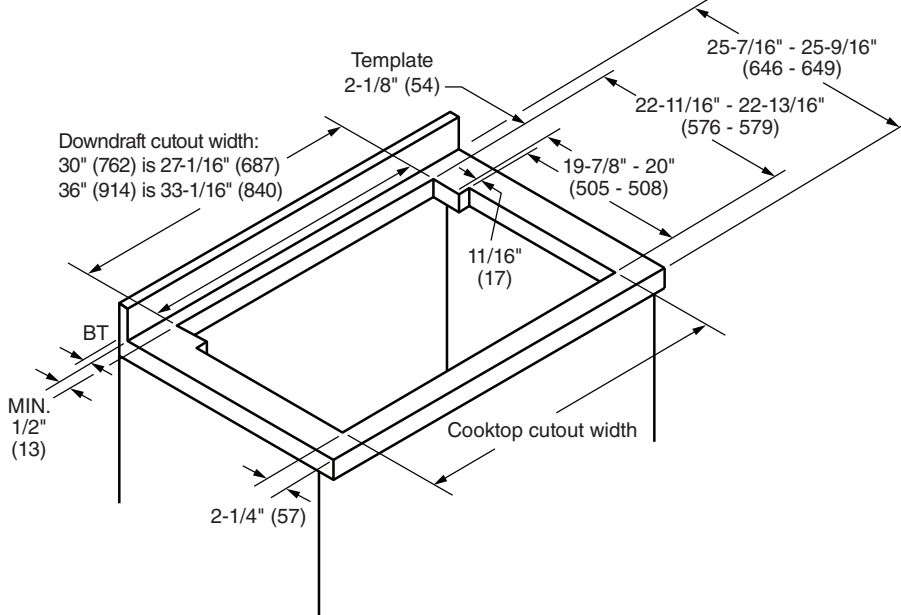


GAS RANGETOP



- A: Downdraft cutout width:
30" (762) is 27-1/16" (687)
36" (914) is 33-1/16" (840)
- B: Template
- C: Rangetop cutout width
- D: Accessory kit required to cover seams after installation.

ELECTRIC AND INDUCTION COOKTOP



Accessories: To purchase Bosch accessories, cleaners & parts please visit www.bosch-home.com/us/store or call 1-800-944-2904 (Mon to Fri 5 am to 6 pm PST, Sat 6 am to 3 pm PST).

Notes: All height, width and depth dimensions are shown in inches. BSH reserves the absolute and unrestricted right to change product materials and specifications, at any time, without notice. Consult the product's installation instructions for final dimensional data and other details prior to making cutout.

Warranties: Please see Use & Care manual or Bosch website for statement of limited warranty.

For more information on our entire line of products, go to www.bosch-home.com/us or call 1-800-944-2904

© BSH Home Appliances Corporation. All rights reserved. Bosch is a registered trademark of Robert Bosch GmbH.

36" Downdraft



800 Series Downdraft – HDD86052UC

Accessories – Transitions

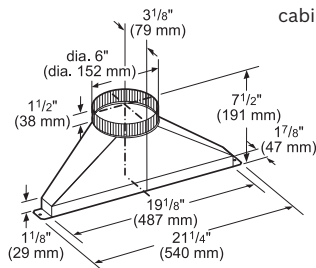
SIDE / REAR / DOWNWARD TRANSITION FOR DOWNDRAFT



HDDSTRAN6
6" Side / Rear /
Downward Transition
for Downdraft

6" Round transition enable ducting to be at sides, rear or below downdraft for flexible configurations to maximize your kitchen design

- ▶ Flexible transition design allows for left, right, rear or downward venting
- ▶ Front rough-in plate may be used with a 6" round duct or elbow
- ▶ Ability to use with DHI1FZUC inline and DHR1FZUC remote blowers
- ▶ Some blower positions may need deeper cabinets. See installation guide.



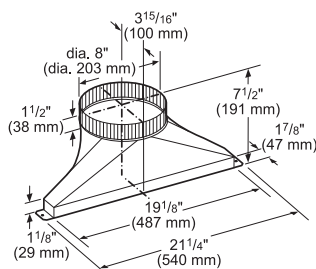
measurements in inches (mm)



HDDSTRAN8
8" Side / Rear /
Downward Transition
for Downdraft

8" Round transition enable ducting to be at sides, rear or below downdraft for flexible configurations to maximize your kitchen design

- ▶ Flexible transition design allows for left, right, rear or downward venting
- ▶ For DHG602DUC flexible downdraft blower used as inline installation
- ▶ Some blower positions may need deeper cabinets. See installation guide.



measurements in inches (mm)

NOTE: HDDSTRAN6 or HDDSTRAN8 side / rear / downward transition required for side, rear or downward exhaust applications with inline and remote blowers.

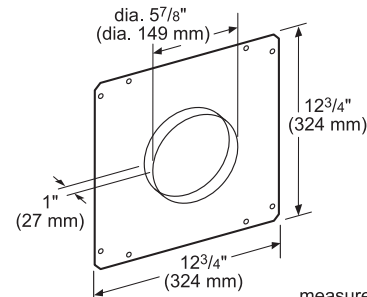
ROUND FRONT PLATES FOR DOWNDRAFT



HDDFTRAN6
6" Round Front Plate
for Downdraft

6" Front rough-in plate enable ducting to be at front of downdraft, for use with inline and remote blower applications

- ▶ Front rough-in plate design allows for front venting
- ▶ Front rough-in plate may be used with a 6" round duct or elbow
- ▶ Ability to use with DHI1FZUC inline and DHR1FZUC remote blowers



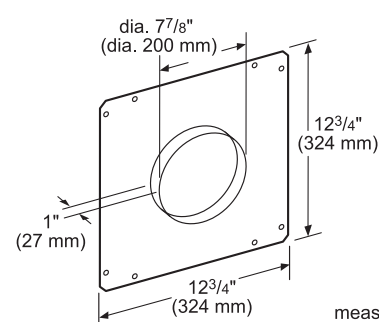
measurements in inches (mm)



HDDFTRAN8
8" Round Front Plate
for Downdraft

8" Front rough-in plate enable ducting to be at front of downdraft, for use with inline and remote blower applications

- ▶ Front rough-in plate design allows for front venting
- ▶ Front rough-in plate may be used with a 8" round duct or elbow
- ▶ For DHG602DUC flexible downdraft blower used as inline installation



measurements in inches (mm)

NOTE: HDDFTRAN6 or HDDFTRAN8 front plate required for front exhaust applications with inline and remote blowers.

Accessories: To purchase Bosch accessories, cleaners & parts please visit www.bosch-home.com/us/store or call 1-800-944-2904 (Mon to Fri 5 am to 6 pm PST, Sat 6 am to 3 pm PST).

Notes: All height, width and depth dimensions are shown in inches. BSH reserves the absolute and unrestricted right to change product materials and specifications, at any time, without notice. Consult the product's installation instructions for final dimensional data and other details prior to making cutout.

Warranties: Please see Use & Care manual or Bosch website for statement of limited warranty.

For more information on our entire line of products, go to www.bosch-home.com/us or call 1-800-944-2904

© BSH Home Appliances Corporation. All rights reserved. Bosch is a registered trademark of Robert Bosch GmbH.

36" Downdraft



800 Series Downdraft – HDD86052UC

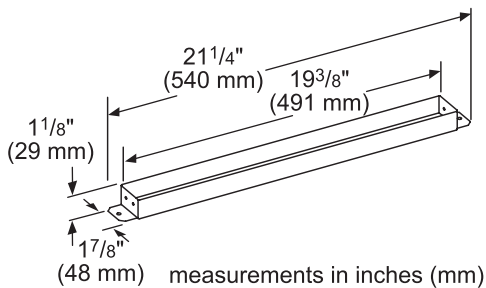
Accessories – Transitions

TRANSITION FOR RECTANGULAR DUCT FOR DOWNDRAFT

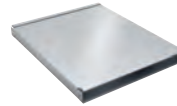


Rectangular duct transition required to connect 2' rectangular duct to downdraft

HDDSTRAN2
Transition for
Rectangular Duct
for Downdraft



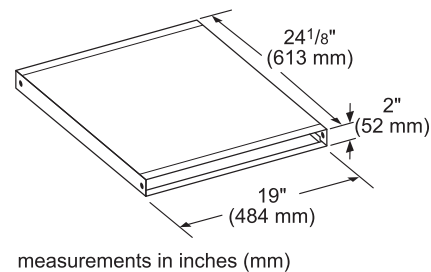
2' RECTANGULAR DUCT FOR DOWNDRAFT



2' Rectangular duct can be used as extension to exhaust through a cabinet or wall while maximizing cabinet storage space

HDD2RECTD
2' Rectangular Duct
Downdraft

- ▶ Duct can be used as an extension to exhaust through a cabinet or wall
- ▶ May be attached to sides or rear of downdraft housing
- ▶ HDDRECTRN transition needed to connect HDD2RECTD to downdraft housing
- ▶ For use with remote or inline blowers



Accessories: To purchase Bosch accessories, cleaners & parts please visit www.bosch-home.com/us/store or call 1-800-944-2904 (Mon to Fri 5 am to 6 pm PST, Sat 6 am to 3 pm PST).

Notes: All height, width and depth dimensions are shown in inches. BSH reserves the absolute and unrestricted right to change product materials and specifications, at any time, without notice. Consult the product's installation instructions for final dimensional data and other details prior to making cutout.

Warranties: Please see Use & Care manual or Bosch website for statement of limited warranty.

For more information on our entire line of products, go to www.bosch-home.com/us or call 1-800-944-2904


© BSH Home Appliances Corporation. All rights reserved. Bosch is a registered trademark of Robert Bosch GmbH.

36" Downdraft



800 Series Downdraft – HDD86052UC

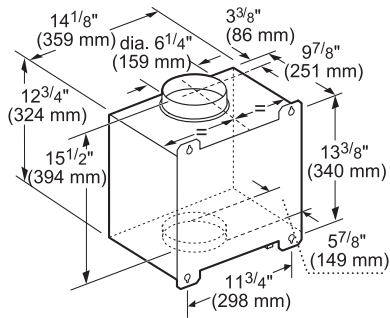
Accessories – 600 CFM Blowers




DHI1FZUC
600 CFM Inline Blower

600 CFM inline blower

- ▶ For use with Bosch downdrafts
- ▶ Inline blowers can be mounted remotely to minimize blower noise in the cooking area
- ▶ Designed to be mounted inline with the ducting installation
- ▶ Blower is mounted on roof of exterior wall depending on application needs
- ▶ 6" transition required



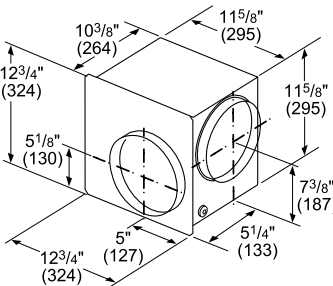
measurements in inches and mm




DHG602DUC
600 CFM Flexible Integral Blower – HDD Downdrafts

600 CFM flexible blower can mount to downdraft or be used as an inline blower, and can be rotated to exhaust downward or to sides

- ▶ Capable up to 600 CFM in performance
- ▶ Blower is able to mount to downdraft or be used as an inline blower
- ▶ Blower can be rotated to exhaust downward or toward sides
- ▶ Additional accessories may be required for installation, see manual



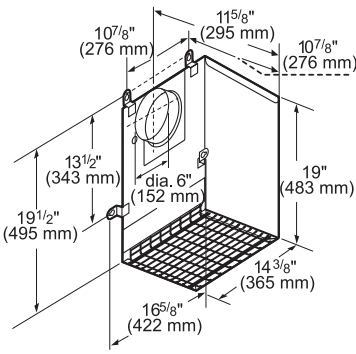
measurements in inches and (mm)



DHR1FZUC
600 CFM Remote Blower

600 CFM remote blower

- ▶ For use with Bosch downdrafts
- ▶ Can be mounted on the exterior of the home to minimize noise in the cooking area
- ▶ Blower is mounted on roof of exterior wall depending on application needs
- ▶ 6" transition required



measurements in inches and mm

Accessories: To purchase Bosch accessories, cleaners & parts please visit www.bosch-home.com/us/store or call 1-800-944-2904 (Mon to Fri 5 am to 6 pm PST, Sat 6 am to 3 pm PST).

Notes: All height, width and depth dimensions are shown in inches. BSH reserves the absolute and unrestricted right to change product materials and specifications, at any time, without notice. Consult the product's installation instructions for final dimensional data and other details prior to making cutout.

Warranties: Please see Use & Care manual or Bosch website for statement of limited warranty.

For more information on our entire line of products, go to www.bosch-home.com/us or call 1-800-944-2904

© BSH Home Appliances Corporation. All rights reserved. Bosch is a registered trademark of Robert Bosch GmbH.

36" Downdraft



800 Series Downdraft – HDD86052UC

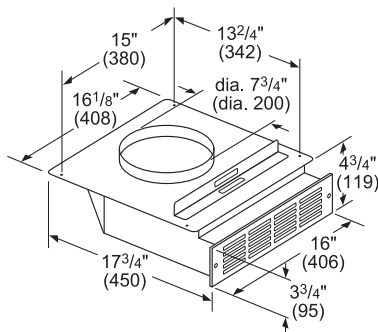
Accessories – Optional



HDDREC5UC
Recirculation Kit
for Downdraft

When ducting to the exterior is not feasible, downdraft recirculation kit allows filtered air to reenter the kitchen while cooking

- ▶ When ducting is not feasible, kit eliminates need to exhaust outside
- ▶ Air is filtered through charcoal filter, then re-enters kitchen
- ▶ Includes recirculation module, filter and metal grille vent plate
- ▶ Designed to work with both 30" and 36" Bosch downdrafts, HDD series
- ▶ Use with induction / electric cooktops only



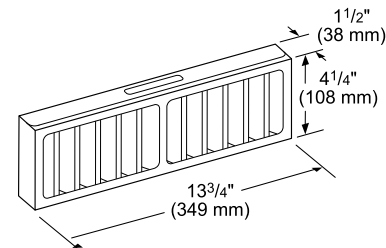
Measurements in inches and (mm)



HDDFILTUC
Charcoal Filter
Replacement for
Recirculation Kit
for Downdraft

Maintain performance of Bosch downdraft recirculation kit with timely replacement of charcoal filter to capture and filter odors

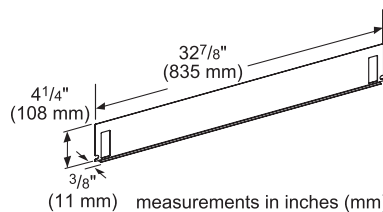
- ▶ Replacement charcoal filter for HDDREC5UC recirculation kit
- ▶ Quality charcoal filter effectively captures and filters odors
- ▶ Replace charcoal filter every 6 months depending on usage



HDD6RSP
36" Gas Cooktop Seal
Kit for Downdraft

36" gas cooktop seal kit required for installation with 36" gas cooktops

- ▶ Includes trim, seal, metal grill, and fasteners
- ▶ Required for installation with gas cooktops



HDDTRIM36S
Trim Kit for 36"
FlameSelect® Gas
Cooktops

36" trim kit for installation with 36" FlameSelect® gas cooktops

- ▶ Includes trim kit and installation tool
- ▶ Required for installation with 36" FlameSelect® gas cooktops

Accessories: To purchase Bosch accessories, cleaners & parts please visit www.bosch-home.com/us/store or call 1-800-944-2904 (Mon to Fri 5 am to 6 pm PST, Sat 6 am to 3 pm PST).

Notes: All height, width and depth dimensions are shown in inches. BSH reserves the absolute and unrestricted right to change product materials and specifications, at any time, without notice. Consult the product's installation instructions for final dimensional data and other details prior to making cutout.

Warranties: Please see Use & Care manual or Bosch website for statement of limited warranty.

For more information on our entire line of products, go to www.bosch-home.com/us or call 1-800-944-2904

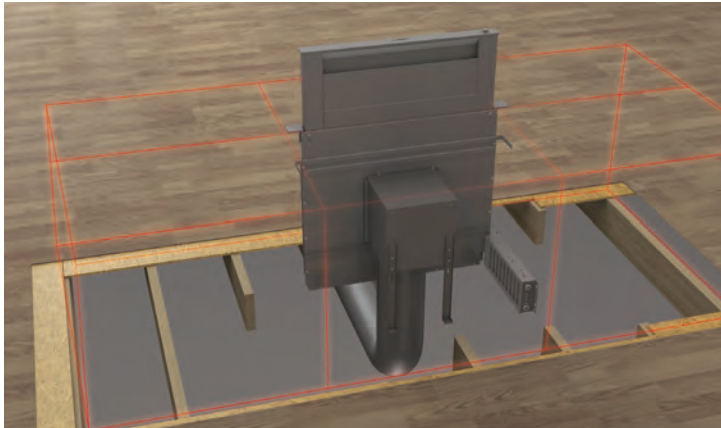
© BSH Home Appliances Corporation. All rights reserved. Bosch is a registered trademark of Robert Bosch GmbH.

36" Downdraft



800 Series Downdraft – HDD86052UC

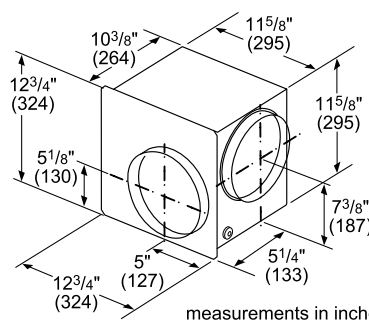
Flexible Blower Installation – Front Exhaust Example



Application

- Flexible blower attached can rotate for left, right or downward discharge
- Front downward application with flexible blower
- Requires space under floor line for ductwork*
- Can be used with optional Recirculation Kit, sold separately
- Elbow, ductwork, blower support structure frame not included

Required Blower



DHG602DUC

600 CFM Flexible Integral Blower

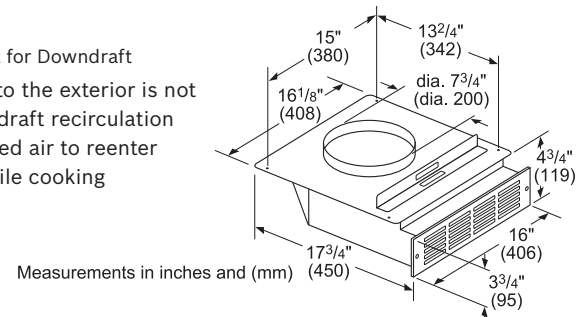
600 CFM flexible blower can mount to downdraft or be used as an inline blower, and can be rotated to exhaust downward or to sides

Optional Accessories

HDDREC5UC

Recirculation Kit for Downdraft

When ducting to the exterior is not feasible, downdraft recirculation kit allows filtered air to reenter the kitchen while cooking



HDDFILTUC

Charcoal Filter Replacement for Recirculation Kit for Downdraft

Maintain performance of Bosch downdraft recirculation kit with timely replacement of charcoal filter to capture and filter odors



HDD6RSP

36" Gas Cooktop Seal Kit for Downdraft

36" gas cooktop seal kit required for installation with 36" gas cooktops



*For only front downward ducting applications, electrical panel must be remotely mounted. Electrical panel can still be remotely mounted in other exhaust configurations if desired. Electrical panel interconnect cable length is 5-ft. long.

Accessories: To purchase Bosch accessories, cleaners & parts please visit www.bosch-home.com/us/store or call 1-800-944-2904 (Mon to Fri 5 am to 6 pm PST, Sat 6 am to 3 pm PST).

Notes: All height, width and depth dimensions are shown in inches. BSH reserves the absolute and unrestricted right to change product materials and specifications, at any time, without notice. Consult the product's installation instructions for final dimensional data and other details prior to making cutout.

Warranties: Please see Use & Care manual or Bosch website for statement of limited warranty.

For more information on our entire line of products, go to www.bosch-home.com/us or call 1-800-944-2904

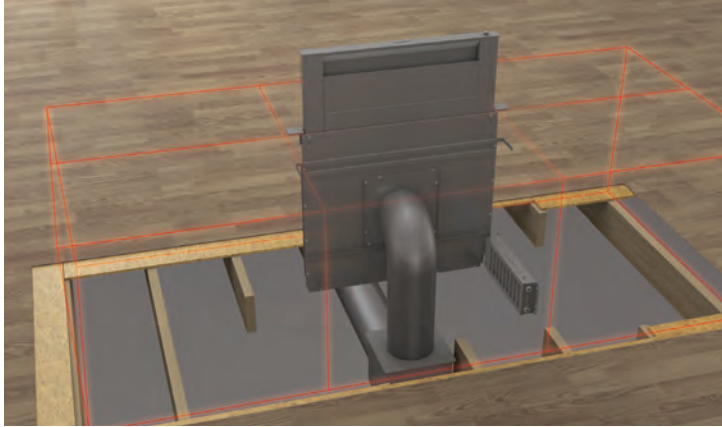
© BSH Home Appliances Corporation. All rights reserved. Bosch is a registered trademark of Robert Bosch GmbH.

36" Downdraft



800 Series Downdraft – HDD86052UC

Flexible Blower Installation – Front Exhaust with Flexible Blower Used as an Inline Option Example

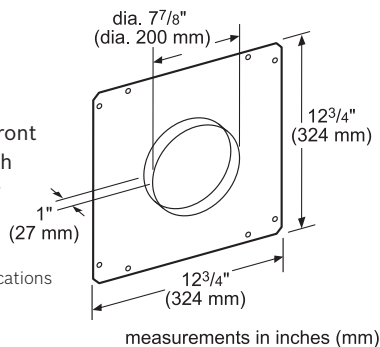


Required Accessories

HDDFTRAN8
8" Round Front Plate for Downdraft

8" Front rough-in plate enable ducting to be at front of downdraft, for use with inline and remote blower applications

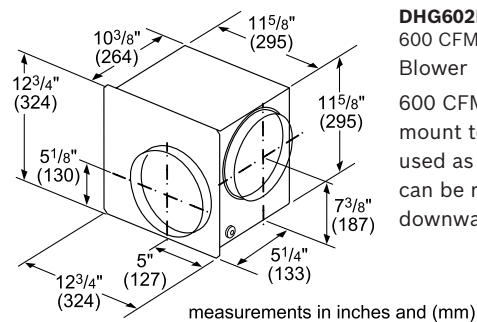
NOTE: HDDFTRAN8 front plate required for front exhaust applications with inline and remote blowers.



Application

- Side exhaust with flexible blower used as inline option if ducting is more convenient with this configuration
- Requires at least 18" of clearance to fit the blower and transition
- Blower must be accessible for maintenance
- Elbow, ductwork, blower support structure frame not included

Required Blower



DHG602DUC
600 CFM Flexible Integral Blower

600 CFM flexible blower can mount to downdraft or be used as an inline blower, and can be rotated to exhaust downward or to sides

Optional Accessories

HDD6RSP
36" Gas Cooktop Seal Kit for Downdraft

36" gas cooktop seal kit required for installation with 36" gas cooktops



NOTE: Some applications may require deeper cabinets. Side and rear exhaust require at least 18" of clearance to fit the blower and / or ductwork. Refer to installation instructions.

Accessories: To purchase Bosch accessories, cleaners & parts please visit www.bosch-home.com/us/store or call 1-800-944-2904 (Mon to Fri 5 am to 6 pm PST, Sat 6 am to 3 pm PST).

Notes: All height, width and depth dimensions are shown in inches. BSH reserves the absolute and unrestricted right to change product materials and specifications, at any time, without notice. Consult the product's installation instructions for final dimensional data and other details prior to making cutout.

Warranties: Please see Use & Care manual or Bosch website for statement of limited warranty.

For more information on our entire line of products, go to www.bosch-home.com/us or call 1-800-944-2904

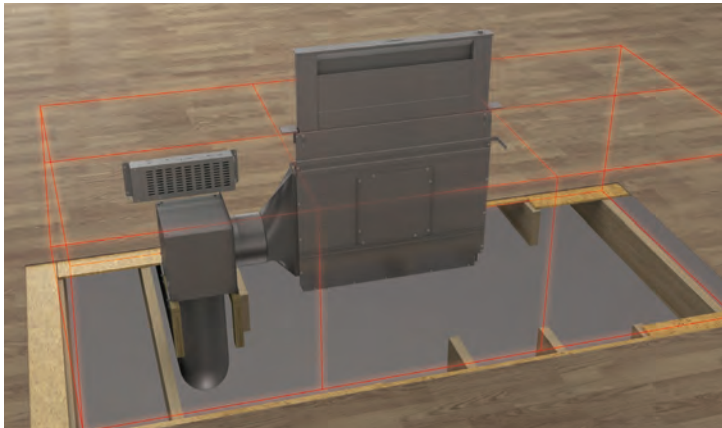
© BSH Home Appliances Corporation. All rights reserved. Bosch is a registered trademark of Robert Bosch GmbH.

36" Downdraft

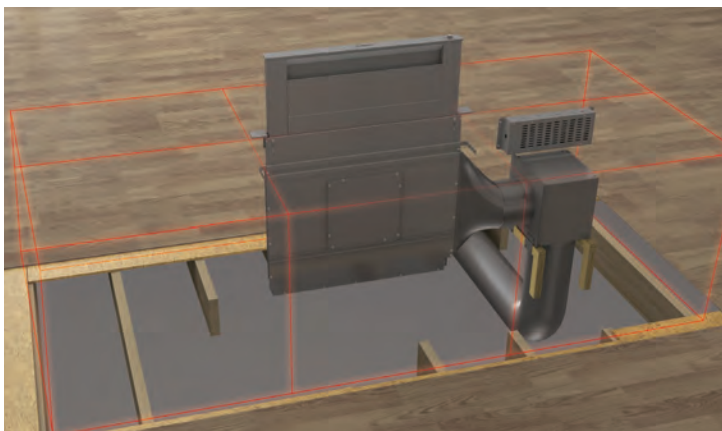


800 Series Downdraft – HDD86052UC

Flexible Blower Installation – Side Exhaust Example



Left Side Exhaust



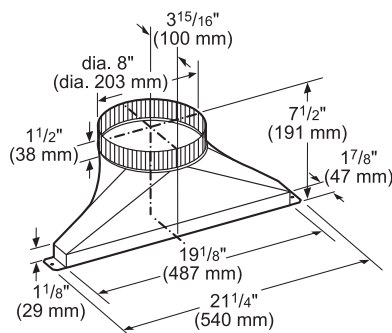
Right Side Exhaust

Required Accessories

HDDSTRAN8

8" Side / Rear / Downward Transition for Downdraft
8" Round transition enable ducting to be at sides, rear or below downdraft for flexible configurations to maximize your kitchen design

NOTE: HDDSTRAN8 side / rear / downward transition required for side, rear or downward exhaust applications with inline and remote blowers.

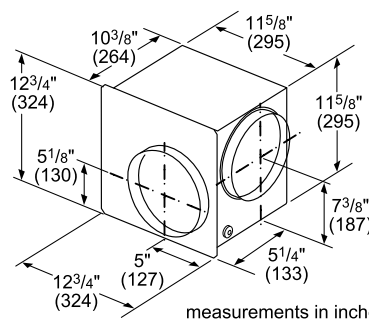


measurements in inches (mm)

Application

- Side exhaust option if ducting is more convenient with this configuration
- Requires at least 18" of clearance to fit the blower and transition
- Can be used with optional Recirculation Kit, sold separately
- Elbow, ductwork, blower support structure frame not included

Required Blower



measurements in inches and (mm)

DHG602DUC

600 CFM Flexible Integral Blower

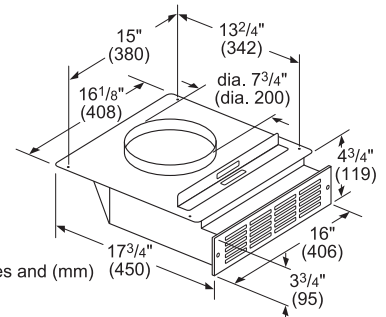
600 CFM flexible blower can mount to downdraft or be used as an inline blower, and can be rotated to exhaust downward or to sides

Optional Accessories

HDDREC5UC

Recirculation Kit for Downdraft

When ducting to the exterior is not feasible, downdraft recirculation kit allows filtered air to reenter the kitchen while cooking



Measurements in inches and (mm)

HDDFILTUC

Charcoal Filter Replacement for Recirculation Kit for Downdraft

Maintain performance of Bosch downdraft recirculation kit with timely replacement of charcoal filter to capture and filter odors



HDD6RSP

36" Gas Cooktop Seal Kit for Downdraft

36" gas cooktop seal kit required for installation with 36" gas cooktops



NOTE: Some applications may require deeper cabinets. Side and rear exhaust require at least 18" of clearance to fit the blower and / or ductwork. Refer to installation instructions.

Accessories: To purchase Bosch accessories, cleaners & parts please visit www.bosch-home.com/us/store or call 1-800-944-2904 (Mon to Fri 5 am to 6 pm PST, Sat 6 am to 3 pm PST).

Notes: All height, width and depth dimensions are shown in inches. BSH reserves the absolute and unrestricted right to change product materials and specifications, at any time, without notice. Consult the product's installation instructions for final dimensional data and other details prior to making cutout.

Warranties: Please see Use & Care manual or Bosch website for statement of limited warranty.

For more information on our entire line of products, go to www.bosch-home.com/us or call 1-800-944-2904

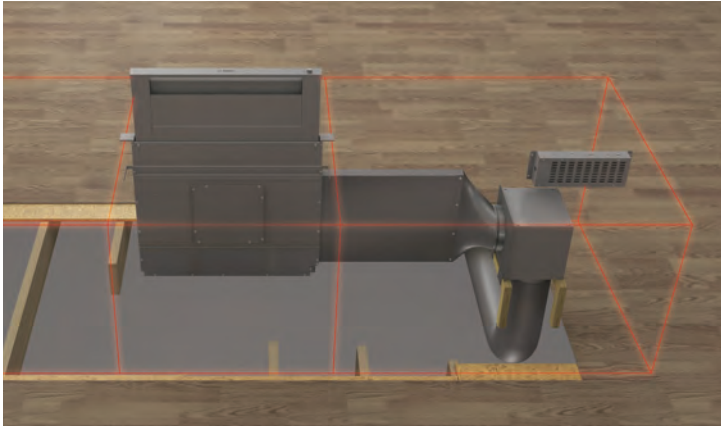
© BSH Home Appliances Corporation. All rights reserved. Bosch is a registered trademark of Robert Bosch GmbH.

36" Downdraft



800 Series Downdraft – HDD86052UC

Flexible Blower Installation – Side Exhaust with Slim 2' Rectangular Duct Example

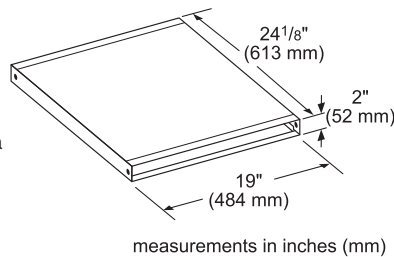


Required Accessories

HDD2RECTD

2' Rectangular
Duct Downdraft

2' Rectangular duct can be used as extension to exhaust through a cabinet or wall while maximizing cabinet storage space

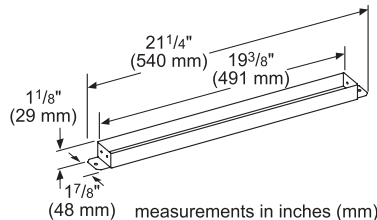


measurements in inches (mm)

HDDSTRAN2

Transition for Rectangular
Duct for Downdraft

Rectangular duct transition required to connect 2' rectangular duct to downdraft



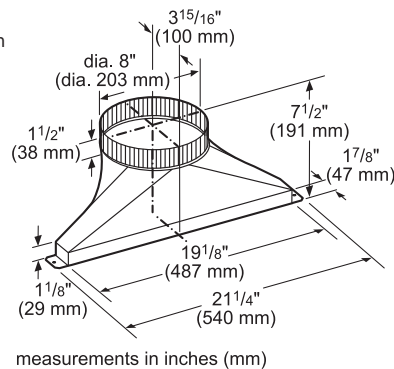
measurements in inches (mm)

HDDSTRAN8

8" Side / Rear / Downward Transition
for Downdraft

8" Round transition enable ducting to be at sides, rear or below downdraft for flexible configurations to maximize your kitchen design

NOTE: HDDSTRAN8 side / rear / downward transition required for side, rear or downward exhaust applications with inline and remote blowers.



measurements in inches (mm)

Application

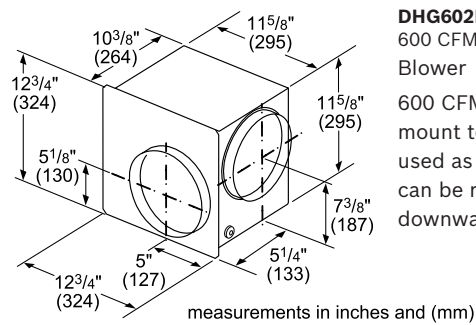
- Side exhaust option if ducting is more convenient with this configuration
- A slim 2' rectangular duct is available to place flexible blower in areas such as unused corner in island or peninsula applications
- Can be used with optional Recirculation Kit, sold separately
- Elbow, ductwork, blower support structure frame not included

Required Blower

DHG602DUC

600 CFM Flexible Integral
Blower

600 CFM flexible blower can mount to downdraft or be used as an inline blower, and can be rotated to exhaust downward or to sides



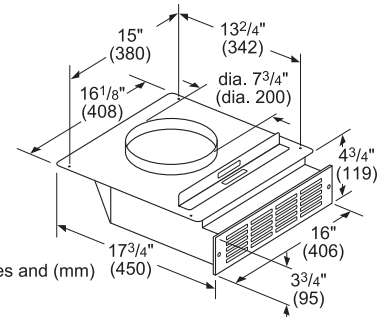
measurements in inches and (mm)

Optional Accessories

HDDREC5UC

Recirculation Kit for Downdraft

When ducting to the exterior is not feasible, downdraft recirculation kit allows filtered air to reenter the kitchen while cooking



Measurements in inches and (mm)

HDDFILTUC

Charcoal Filter Replacement for Recirculation Kit
for Downdraft

Maintain performance of Bosch downdraft recirculation kit with timely replacement of charcoal filter to capture and filter odors



HDD6RSP

36" Gas Cooktop Seal Kit for Downdraft

36" gas cooktop seal kit required for installation with 36" gas cooktops



NOTE: Some applications may require deeper cabinets. Side and rear exhaust require at least 18" of clearance to fit the blower and / or ductwork. Refer to installation instructions.

Accessories: To purchase Bosch accessories, cleaners & parts please visit www.bosch-home.com/us/store or call 1-800-944-2904 (Mon to Fri 5 am to 6 pm PST, Sat 6 am to 3 pm PST).

Notes: All height, width and depth dimensions are shown in inches. BSH reserves the absolute and unrestricted right to change product materials and specifications, at any time, without notice. Consult the product's installation instructions for final dimensional data and other details prior to making cutout.

Warranties: Please see Use & Care manual or Bosch website for statement of limited warranty.

For more information on our entire line of products, go to www.bosch-home.com/us or call 1-800-944-2904

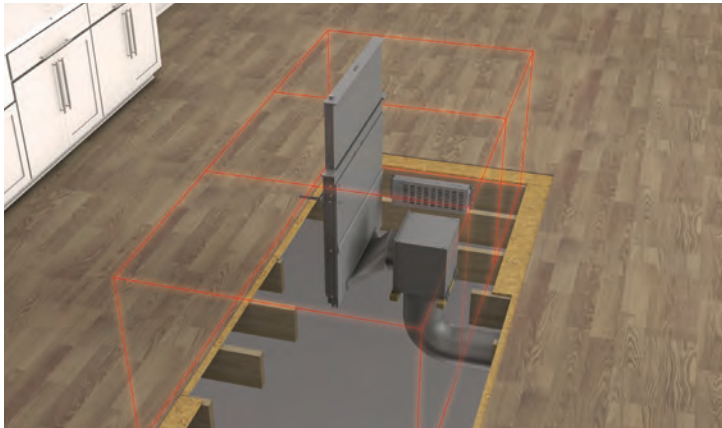
© BSH Home Appliances Corporation. All rights reserved. Bosch is a registered trademark of Robert Bosch GmbH.

36" Downdraft



800 Series Downdraft – HDD86052UC

Flexible Blower Installation – Rear Exhaust Example



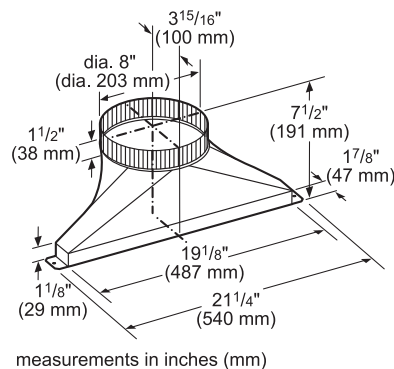
Required Accessories

HDDSTRAN8

8" Side / Rear / Downward Transition for Downdraft

8" Round transition enable ducting to be at sides, rear or below downdraft for flexible configurations to maximize your kitchen design

NOTE: HDDSTRAN8 side / rear / downward transition required for side, rear or downward exhaust applications with inline and remote blowers.



measurements in inches (mm)

Application

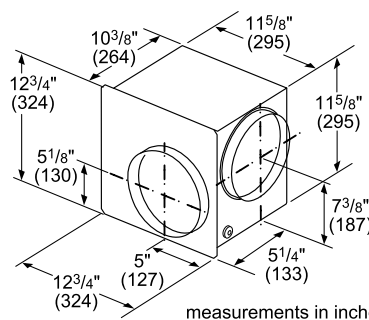
- Rear exhaust option is possible if ducting is more convenient with this configuration
- Requires at least 18" of clearance to fit the blower and transition
- Blower must be accessible for maintenance
- Can be used with optional Recirculation Kit, sold separately
- Elbow, ductwork, blower support structure frame not included

Required Blower

DHG602DUC

600 CFM Flexible Integral Blower

600 CFM flexible blower can mount to downdraft or be used as an inline blower, and can be rotated to exhaust downward or to sides



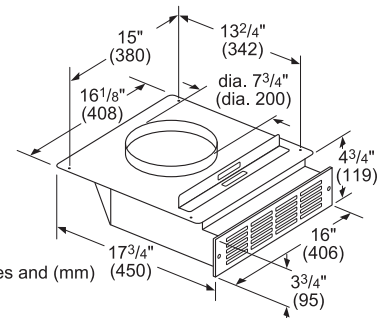
measurements in inches and (mm)

Optional Accessories

HDDREC5UC

Recirculation Kit for Downdraft

When ducting to the exterior is not feasible, downdraft recirculation kit allows filtered air to reenter the kitchen while cooking



Measurements in inches and (mm)

HDDFILTUC

Charcoal Filter Replacement for Recirculation Kit for Downdraft

Maintain performance of Bosch downdraft recirculation kit with timely replacement of charcoal filter to capture and filter odors



HDD6RSP

36" Gas Cooktop Seal Kit for Downdraft

36" gas cooktop seal kit required for installation with 36" gas cooktops



NOTE: Some applications may require deeper cabinets. Side and rear exhaust require at least 18" of clearance to fit the blower and / or ductwork. Refer to installation instructions.

Accessories: To purchase Bosch accessories, cleaners & parts please visit www.bosch-home.com/us/store or call 1-800-944-2904 (Mon to Fri 5 am to 6 pm PST, Sat 6 am to 3 pm PST).

Notes: All height, width and depth dimensions are shown in inches. BSH reserves the absolute and unrestricted right to change product materials and specifications, at any time, without notice. Consult the product's installation instructions for final dimensional data and other details prior to making cutout.

Warranties: Please see Use & Care manual or Bosch website for statement of limited warranty.

For more information on our entire line of products, go to www.bosch-home.com/us or call 1-800-944-2904

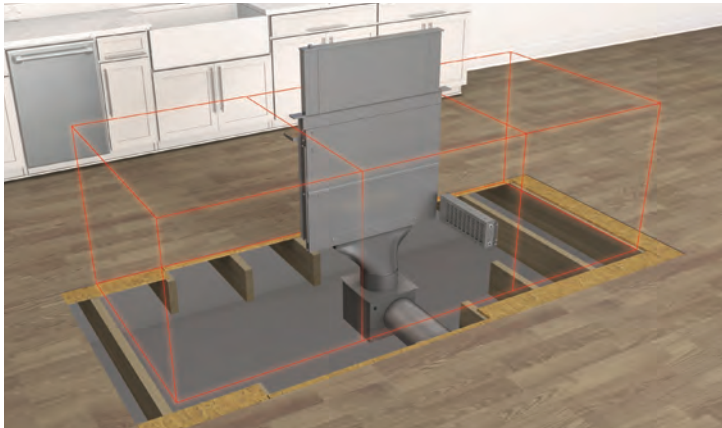
© BSH Home Appliances Corporation. All rights reserved. Bosch is a registered trademark of Robert Bosch GmbH.

36" Downdraft



800 Series Downdraft – HDD86052UC

Flexible Blower Installation – Downward Exhaust Example



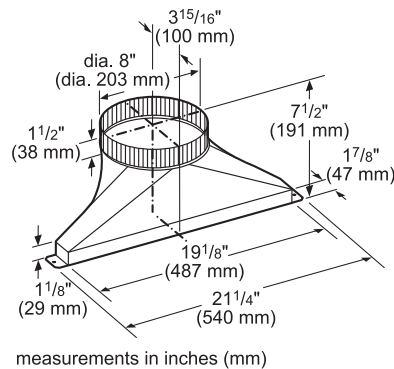
Required Accessories

HDDSTRAN8

8" Side / Rear / Downward Transition for Downdraft

8" Round transition enable ducting to be at sides, rear or below downdraft for flexible configurations to maximize your kitchen design

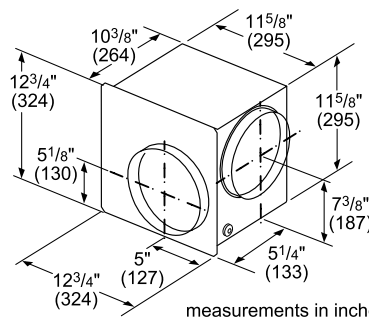
NOTE: HDDSTRAN8 side / rear / downward transition required for side, rear or downward exhaust applications with inline and remote blowers.



Application

- Downward exhaust option if ducting is more convenient with this configuration
- Requires at least 18" of clearance to fit the blower and transition
- Can be used with optional Recirculation Kit, sold separately
- Elbow, ductwork, blower support structure frame not included
- Blower must be accessible for maintenance
- Can also be installed with inline and remote blowers

Required Blower



DHG602DUC

600 CFM Flexible Integral Blower

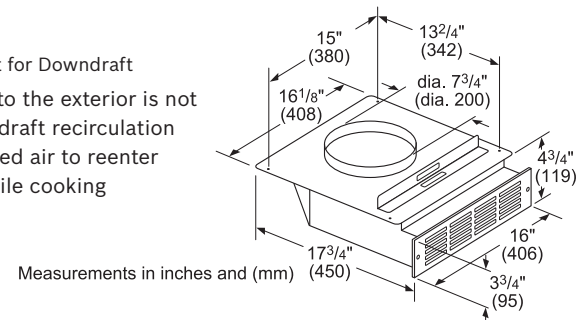
600 CFM flexible blower can mount to downdraft or be used as an inline blower, and can be rotated to exhaust downward or to sides

Optional Accessories

HDDREC5UC

Recirculation Kit for Downdraft

When ducting to the exterior is not feasible, downdraft recirculation kit allows filtered air to reenter the kitchen while cooking



HDDFILTUC

Charcoal Filter Replacement for Recirculation Kit for Downdraft

Maintain performance of Bosch downdraft recirculation kit with timely replacement of charcoal filter to capture and filter odors



HDD6RSP

36" Gas Cooktop Seal Kit for Downdraft

36" gas cooktop seal kit required for installation with 36" gas cooktops



Accessories: To purchase Bosch accessories, cleaners & parts please visit www.bosch-home.com/us/store or call 1-800-944-2904 (Mon to Fri 5 am to 6 pm PST, Sat 6 am to 3 pm PST).

Notes: All height, width and depth dimensions are shown in inches. BSH reserves the absolute and unrestricted right to change product materials and specifications, at any time, without notice. Consult the product's installation instructions for final dimensional data and other details prior to making cutout.

Warranties: Please see Use & Care manual or Bosch website for statement of limited warranty.

For more information on our entire line of products, go to www.bosch-home.com/us or call 1-800-944-2904

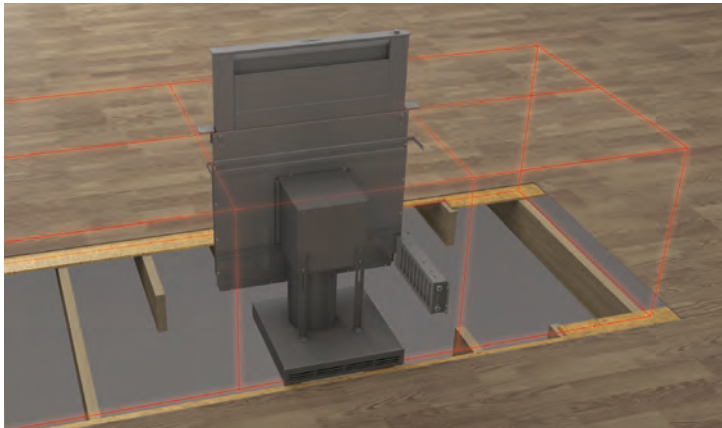
© BSH Home Appliances Corporation. All rights reserved. Bosch is a registered trademark of Robert Bosch GmbH.

36" Downdraft



800 Series Downdraft – HDD86052UC

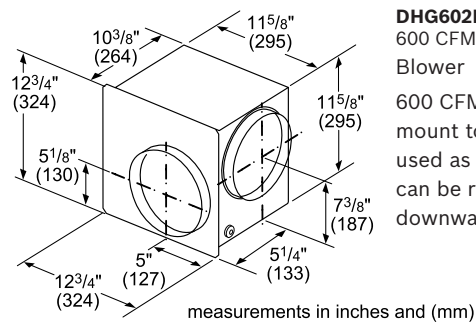
Flexible Blower Installation – Recirculation Example



Application

- Allows for non-ducted downdraft installation by eliminating the need to exhaust to the exterior of the home
- Mount to toe kick or base of a cabinet and attach directly to flexible blower
- Recirculation module and metal grill vent plate placement can be rotated for flexible exhaust placement
- Elbow, ductwork, blower support structure frame not included

Required Blower



DHG602DUC

600 CFM Flexible Integral Blower

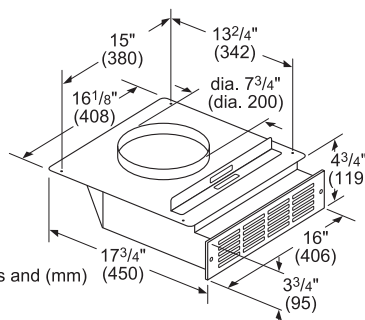
600 CFM flexible blower can mount to downdraft or be used as an inline blower, and can be rotated to exhaust downward or to sides

Required Accessories

HDDREC5UC

Recirculation Kit for Downdraft

When ducting to the exterior is not feasible, downdraft recirculation kit allows filtered air to reenter the kitchen while cooking



Optional Accessories

HDDFILTUC

Charcoal Filter Replacement for Recirculation Kit for Downdraft

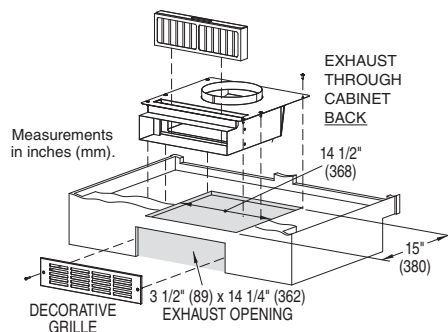
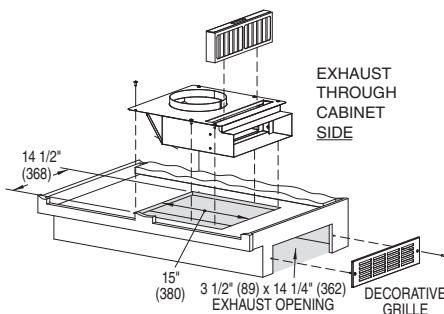
Maintain performance of Bosch downdraft recirculation kit with timely replacement of charcoal filter to capture and filter odors



HDD6RSP

36" Gas Cooktop Seal Kit for Downdraft

36" gas cooktop seal kit required for installation with 36" gas cooktops



Accessories: To purchase Bosch accessories, cleaners & parts please visit www.bosch-home.com/us/store or call 1-800-944-2904 (Mon to Fri 5 am to 6 pm PST, Sat 6 am to 3 pm PST).

Notes: All height, width and depth dimensions are shown in inches. BSH reserves the absolute and unrestricted right to change product materials and specifications, at any time, without notice. Consult the product's installation instructions for final dimensional data and other details prior to making cutout.

Warranties: Please see Use & Care manual or Bosch website for statement of limited warranty.

For more information on our entire line of products, go to www.bosch-home.com/us or call 1-800-944-2904

© BSH Home Appliances Corporation. All rights reserved. Bosch is a registered trademark of Robert Bosch GmbH.