

**SANUS**  
ELITE

A brand of **legrand**

## ADVANCED FULL-MOTION TV WALL MOUNT FOR TVs **65"-100"**

The Advanced Full-Motion Premium TV Mount is a next-generation mount that incorporates the TV into a home in an entirely modern way. Featuring a stylish brushed metal finish and slim profile, the Advanced Full-Motion Mount complements the sleek look of today's TVs. Beneath the mount's exterior is a precision-engineered, ultra-strong solid steel frame - ensuring the TV stays securely in place.

Expertly engineered with FluidMotion™ design, the Advanced Full-Motion Mounts provide unparalleled smoothness - allowing for effortless extension and swivel. The mount's Steady Set™ functionality holds the TV in place - eliminating drift and unwanted TV movement. The simple and intuitive design guarantees a quick and hassle-free installation.



### Model **VXF830**



**SANUS**  
ELITE

A brand of **legrand**



**Steady Set™**  
Easily adjust TV;  
Tilt, swivel and extend



**Slim Profile**  
Places TV 2.61" from wall



**Cable Management**  
Conceal and route cables  
through the arm



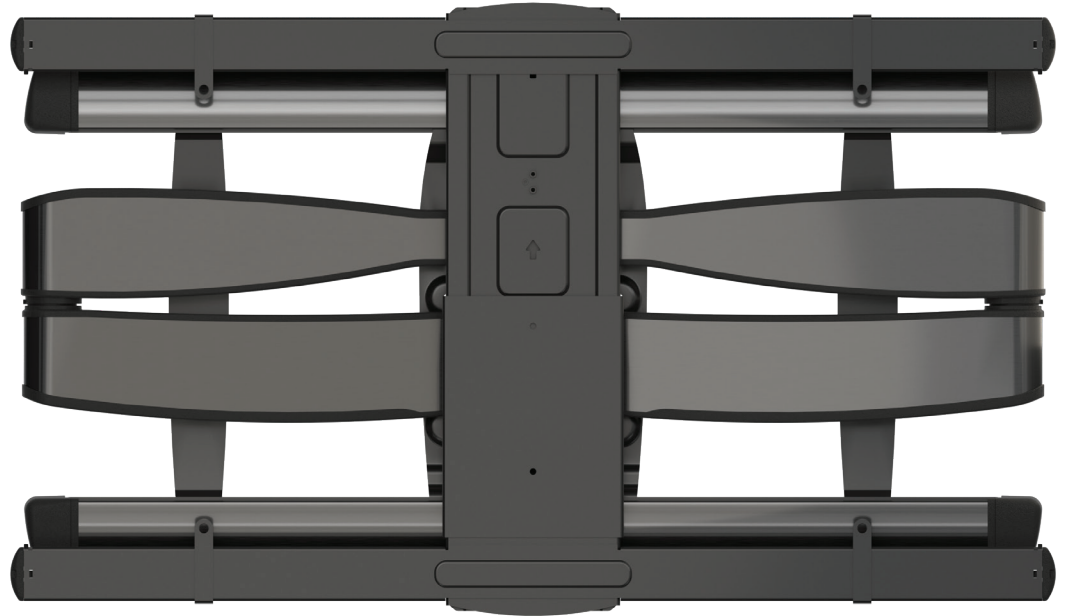
**Extends 30-inches**  
Easier access behind TV



**Great View from Any Seat**  
Tilts down 15°, Tilts up 7°,  
Swivels up to ± 55°



**Level + Center**  
TV after installation



**MODEL**  
VXF830  
**UPC**  
793795540096



**PRODUCT DIMENSIONS (W X D X H)**  
37.51"W x 2.61"D x 24.28"H / 95.28 cm x 6.63 cm x 61.68 cm

**PACKAGE DIMENSIONS (W X D X H)**  
40.08"L x 23.31"D x 4.45"H / 101.8 cm x 59.2 cm x 11.3 cm

**MASTER PACK DIMENSIONS (W X D X H)**  
40.5"L x 23.9"D x 5.63"H / 102.8 cm x 60.7 cm x 14.3 cm

**COMPATIBLE FOR MOST TVs**  
65" to 100"

**TV SIZE WEIGHT CAPACITY**  
175 lbs. / 79.3 kg.

**PACKAGING WEIGHT**  
66.1 lbs. / 29.96 kg.

**MASTER PACK WEIGHT**  
70.31 lbs. / 31.89 kg.

**MASTER PACK QUANTITY**  
1

**MOUNTING PATTERN (VESA)**  
Minimum 200 x 200  
Maximum 900 x 600