

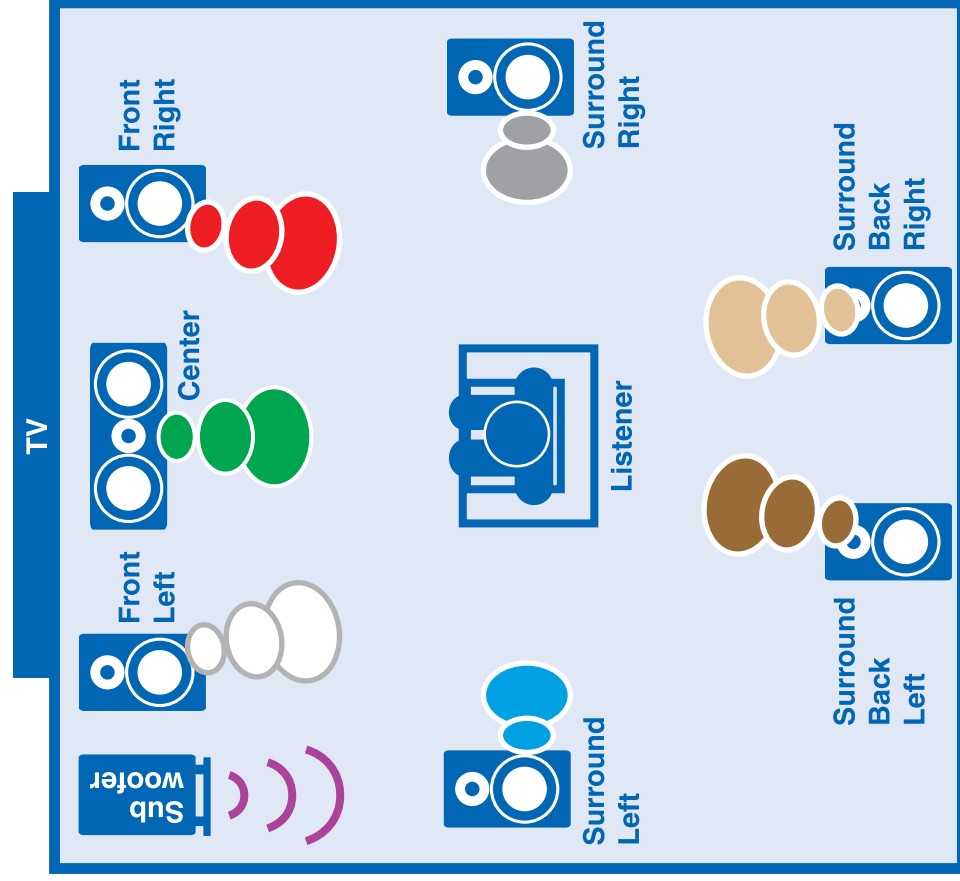
# QUICK SETUP

Model : HT-SP908

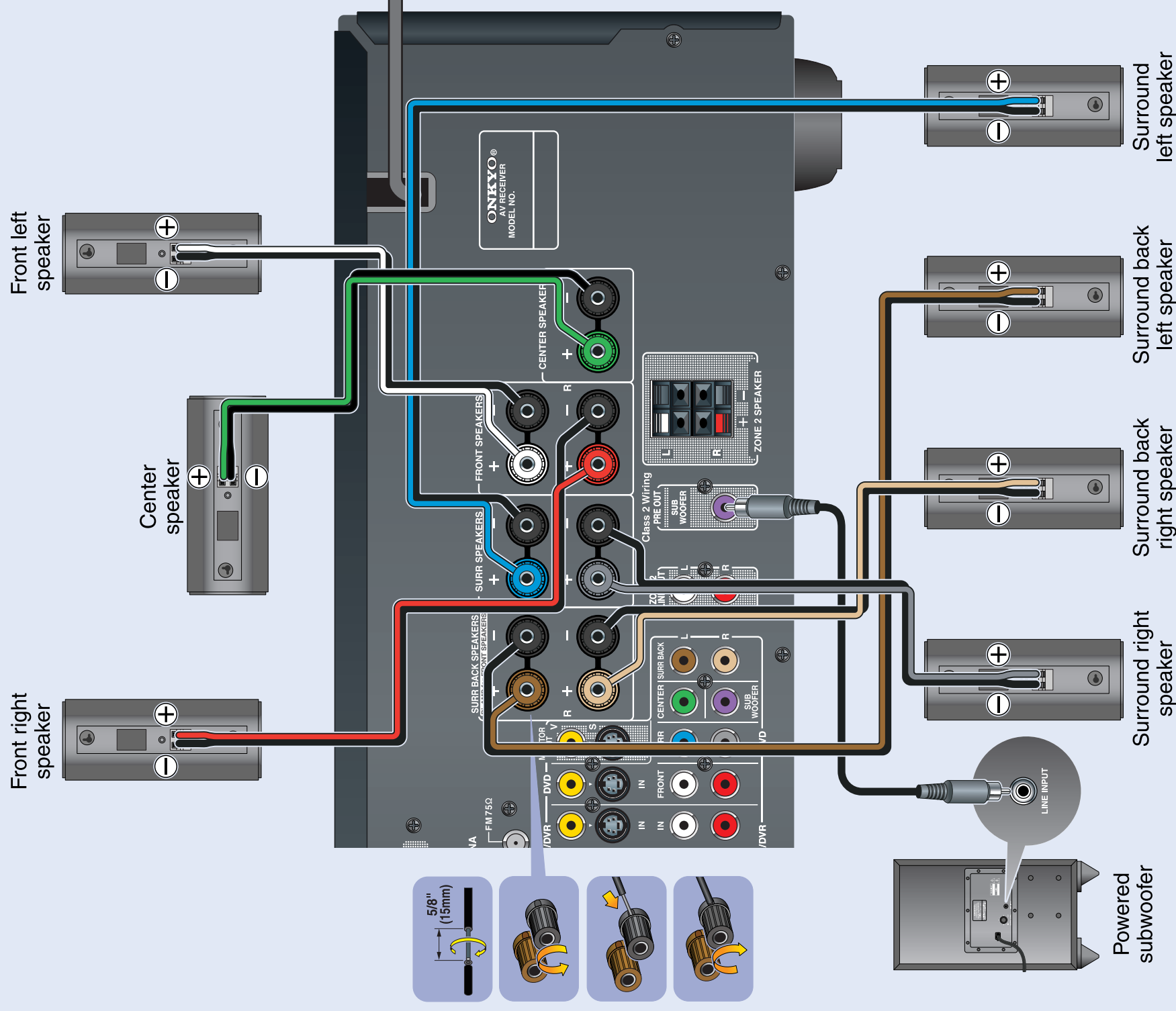


Thank you for purchasing this product.  
 This quick setup sheet shows the typical hookup method for connecting speakers and AV components (DVD player, TV, cable/satellite receiver).  
 For more detailed hookup information and operating instructions, please see the Instruction Manual.

## Speaker Layout (Main Room)



## Speaker Hookup



See the other side of this sheet for the AV component hookup.

(C) Copyright 2007 ONKYO CORPORATION Japan. All rights reserved.

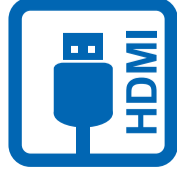
SN 29344583



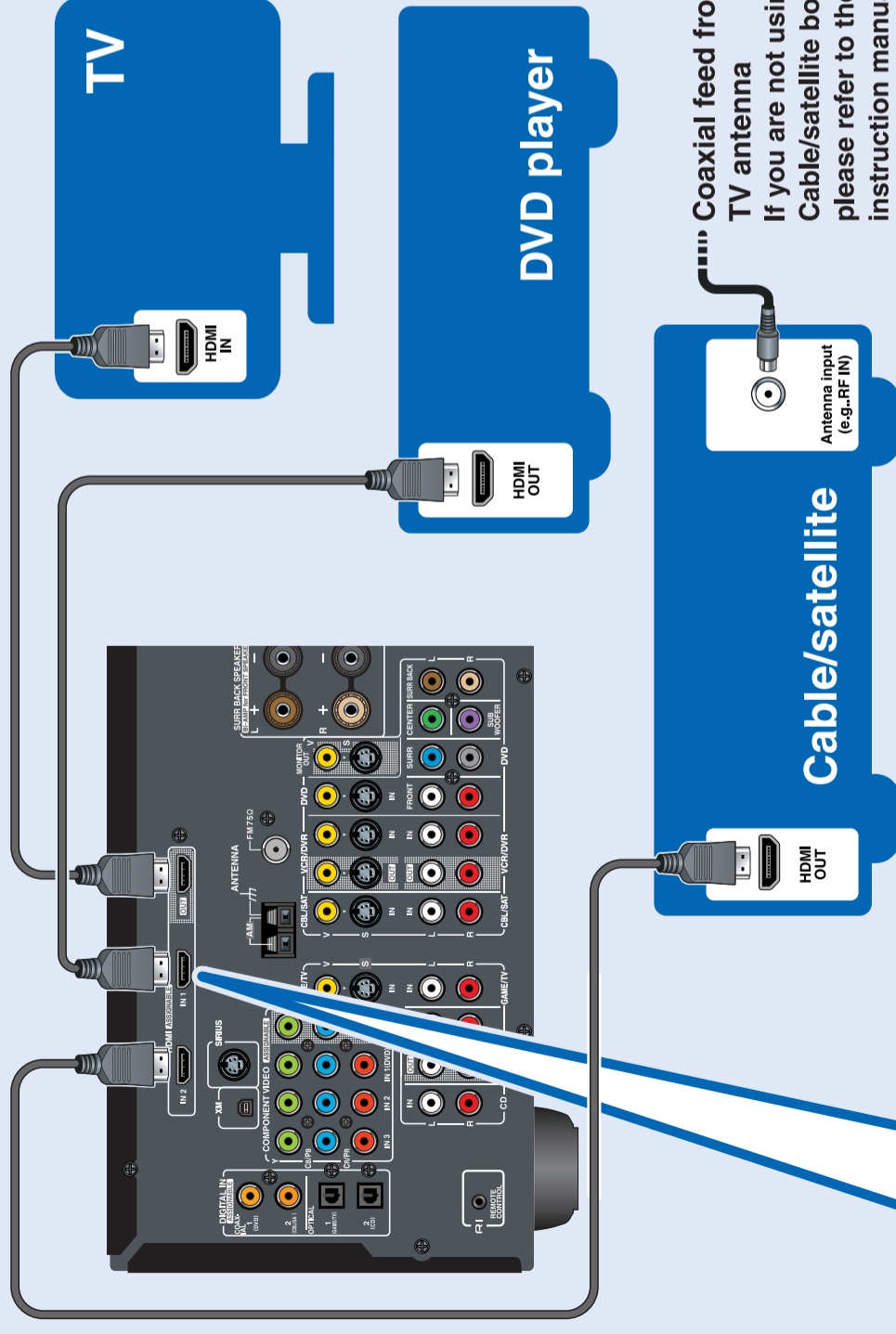
# AV Component Hookup



See the other side of this sheet for the Speaker hookup.



With an HDMI cable you can send both audio and video with a single cable, making connecting simple and keeping wires neat. If you have an HDMI-compatible TV and players, you can connect them to the AV receiver with HDMI cables. Digital audio signals received at HDMI IN 1 or 2 are output by the speakers and headphones connected to the AV receiver.



Coaxial feed from TV antenna  
If you are not using Cable/satellite box, please refer to the instruction manual.

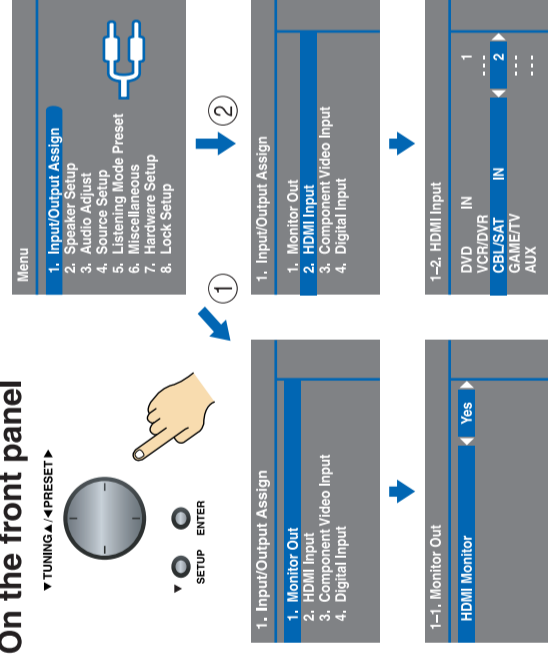
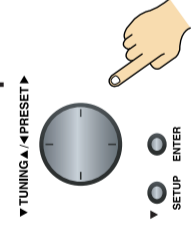
## Setting the Monitor Out ①

When the TV is connected to an HDMI input, the HDMI Monitor setting on the AV receiver must be set to "Yes."

## Assigning the HDMI Input ②

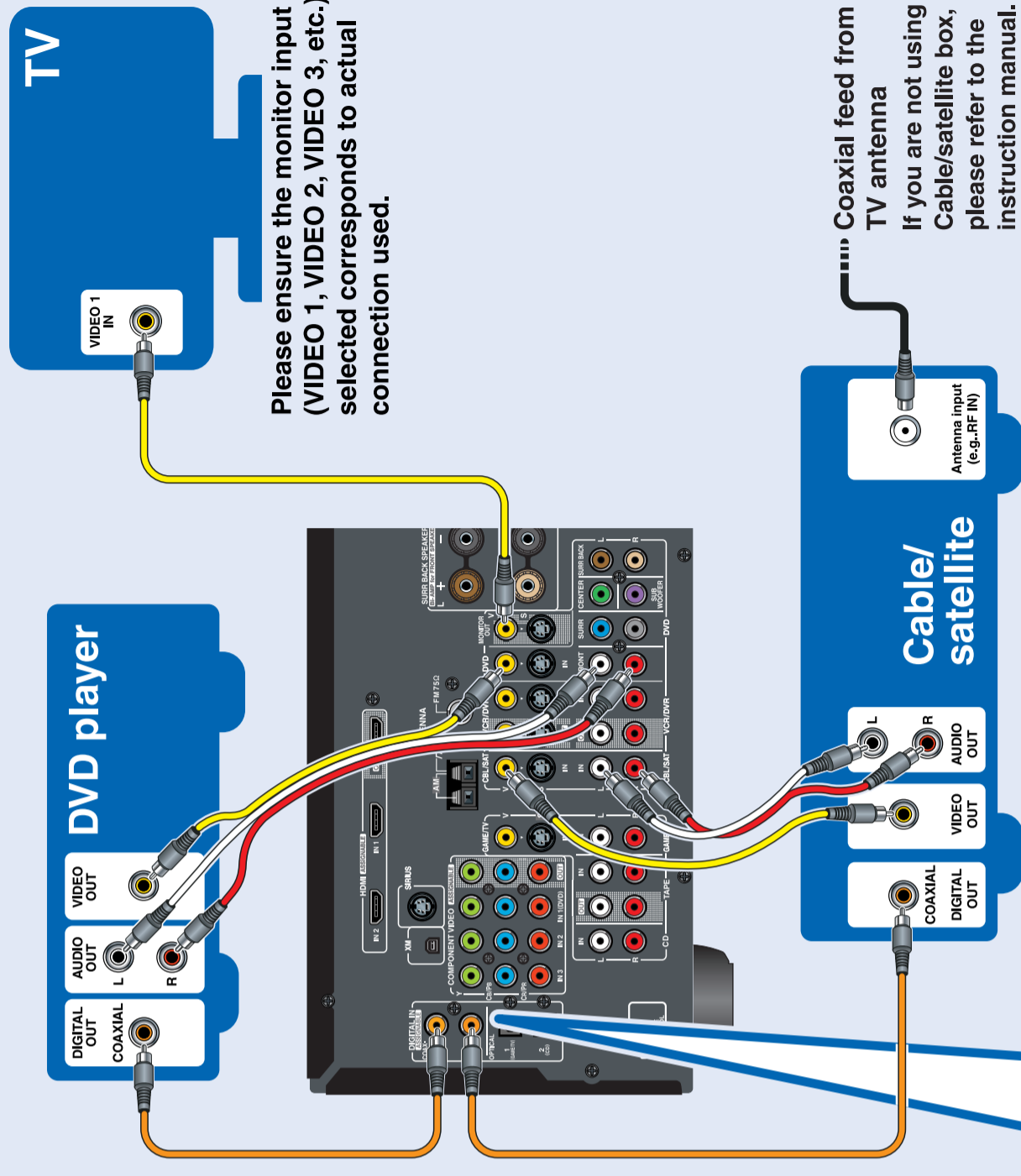
If you connect a video component to an HDMI input, you must assign that HDMI Input to an input selector in Setup. If you make the same connections as shown here, you must assign the "DVD" setting to "IN1", and assign the "CBL/SAT" setting to "IN2".

On the front panel



IF NO HDMI

If your TV or player doesn't support HDMI, use the analog or digital connections shown below.



Please ensure the monitor input (VIDEO 1, VIDEO 2, VIDEO 3, etc.) selected corresponds to actual connection used.

Coaxial feed from TV antenna  
If you are not using Cable/satellite box, please refer to the instruction manual.

## Assigning the Digital Input

If there's no sound, press the [DIGITAL INPUT] button repeatedly until sound is heard. The digital input is now properly assigned.

If you connect your DVD player to the AV receiver's COAXIAL 1 DIGITAL IN, and your cable/satellite receiver to the COAXIAL 2 DIGITAL IN, as shown, it's not necessary to assign the digital input.

On the front panel

