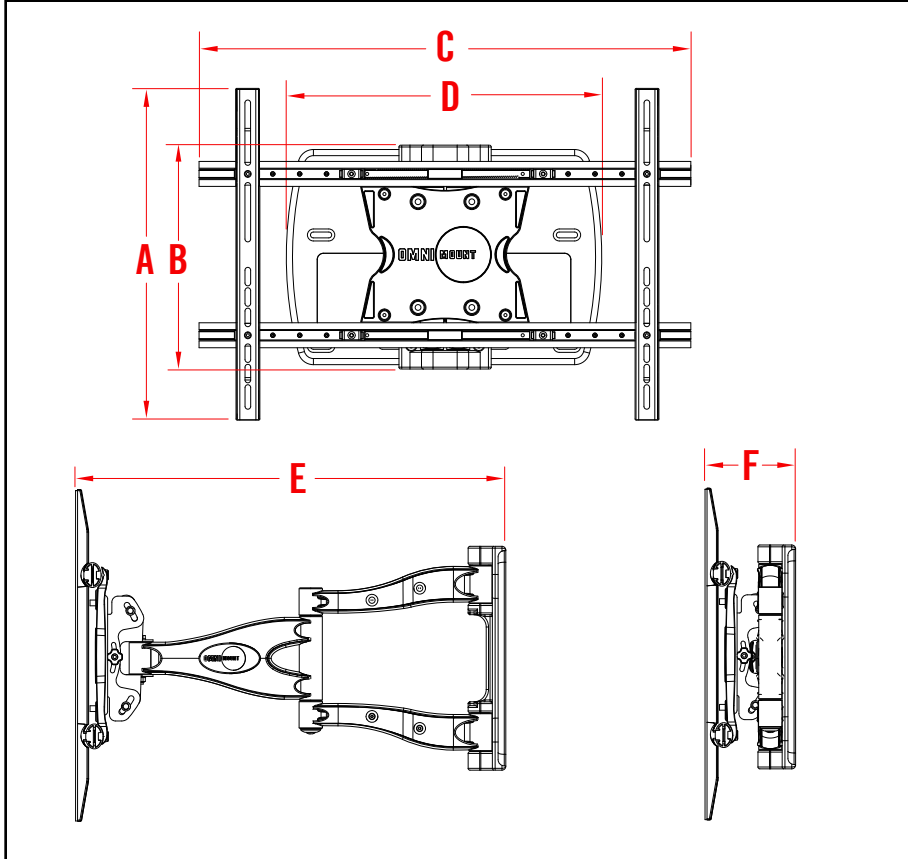




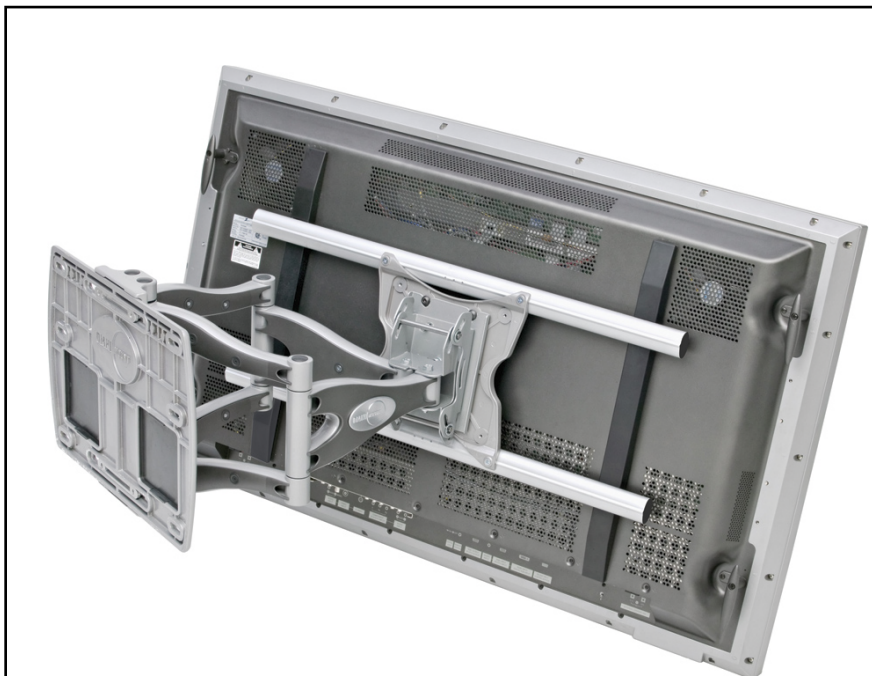
UCL-X

EXTRA LARGE UNIVERSAL CANTILEVER MOUNT



TECHNICAL SPECIFICATIONS

A	21.50"	546.10mm
B	14.00"	355.60mm
C	32.00"	812.80mm
D	20.50"	520.70mm
E	28.00"	711.20mm
F	6.20"	157.48mm



Complete assembly of CL-X with UAL
Universal adapter plate

- Includes complete wall and panel mounting hardware kit
- VESA compliant: 100 to 200x200
- Available in Silver and Black
- 200 lb. (90.7 kg) max weight capacity

For more details see specific models