

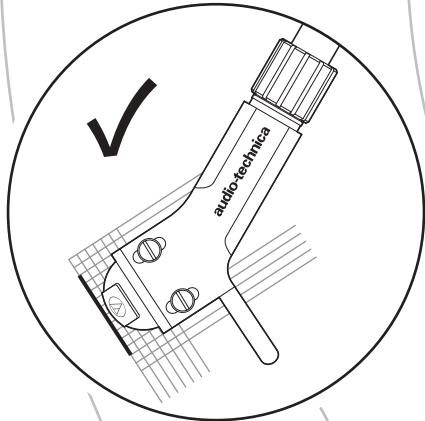
AT-LPA2

Overhang Adjustment Guide

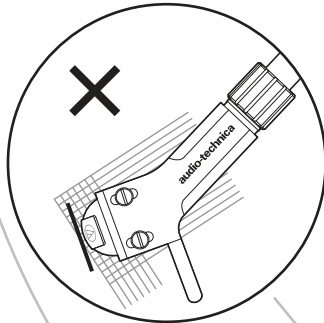


Use this guide when installing an alternative cartridge on your AT-LPA2.

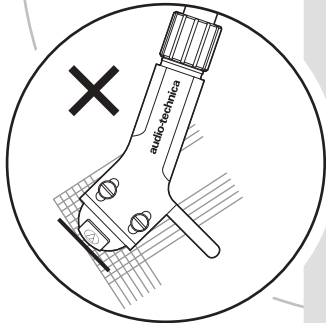
Perfect overhang setting



Overhang needs to be increased



Overhang needs to be decreased



1. Print this guide at actual size, adjusting the printer settings if necessary.
2. Cut a hole in the guide for the turntable's spindle, following the dotted line in the illustration.
3. Place the guide on the spindle.
4. Loosen the headshell mounting screws just enough so the cartridge can be repositioned, then place the cartridge stylus over the guide's inner black dot, located 63.29 mm from the spindle at the intersection of lines A and B.
 - When placing the cartridge stylus tip near the paper, be careful not to damage the stylus tip.
5. While keeping the stylus centered over the dot, position the cartridge within the headshell so that the sides of the cartridge are parallel with the A lines and its front is parallel with the B lines.
6. Next, place the stylus over the guide's outer black dot, located 126.31 mm from the spindle. The sides of the cartridge should be parallel with the C lines and its front parallel with the D lines, as show in the "Perfect overhang setting" diagram. If the setting is correct, tighten the headshell screws until snug.
 - If the cartridge is not properly aligned at the outer black dot, make the necessary adjustments then repeat steps 4 - 6 until the overhang is consistent at both dots.

