

# PRO TRIPOD

Black

The Peak Design Pro Tripod is the ultimate professional tripod: the strength and stability to carry heavy cameras and lenses and shoot pro-level content, yet packable enough to take on any adventure. Take your skillset to the highest level and into more demanding environments than ever before.

PT-S-BK-1 Pro Tripod Black

PT-T-BK-1 Pro Tall Tripod Black

PT-L-BK-1 Pro Lite Tripod Black



## FEATURES

### UNMATCHED PORTABILITY

- Space-saving design, eliminates dead volume, and has anchor points for Peak Design camera straps (sold separately).

### PROFESSIONAL STABILITY WITHOUT THE BULK

- Stable in demanding environments, supports heavy gear with impressive vibration damping and nonslip, shock-absorbing feet

### LIGHTNING-FAST SETUP AND PACK-DOWN

- Quick-action leg locks enable fast deployment, while low/inverted modes allow ultra-low-angle shots.

### INTUITIVE PRO BALL HEAD WITH NEXT-LEVEL USABILITY

- Smooth, omnidirectional control with instant camera locking, adjustable holding force, and built-in safety toggle—even with the column stowed.

### BRILLIANTLY INTEGRATED TOOLS

- Magnetic hex tool and optional mobile mount (sold separately) stow neatly inside the center column for easy access.

## MATERIALS

- Ballhead, hub, load hook, leg locks: CNC-machined & anodized 6061-T6 recycled aluminum (no die cast parts)
- Legs: 3K Weave Carbon Fiber (2x2 Twill)
- Center Column: 3K Weave Carbon Fiber (2x2 Twill)
- Hardware: Stainless Steel
- Feet: Non-slip Polyurethane

## WHAT'S IN THE BOX

- 1x Tripod (legs + ball head)
- 1x Tripod Bag
- 1x Standard Plate
- 1x Hex Tool (4mm + 2.5mm hex wrench) / Load Hook (installed in center column)

## WEIGHT

### PRO TALL TRIPOD

- 2.0kg (4.5lb)

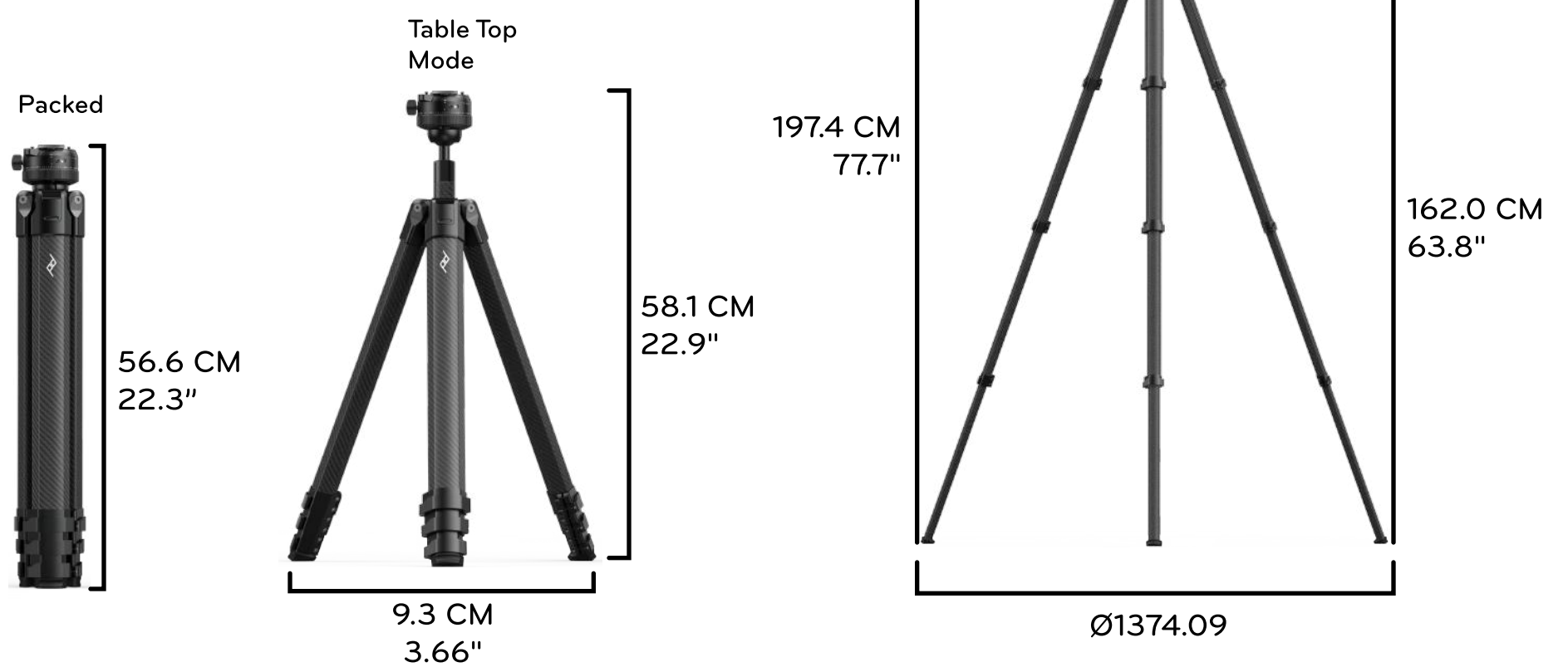
### PRO TRIPOD

- 1.9kg (4.2lb)

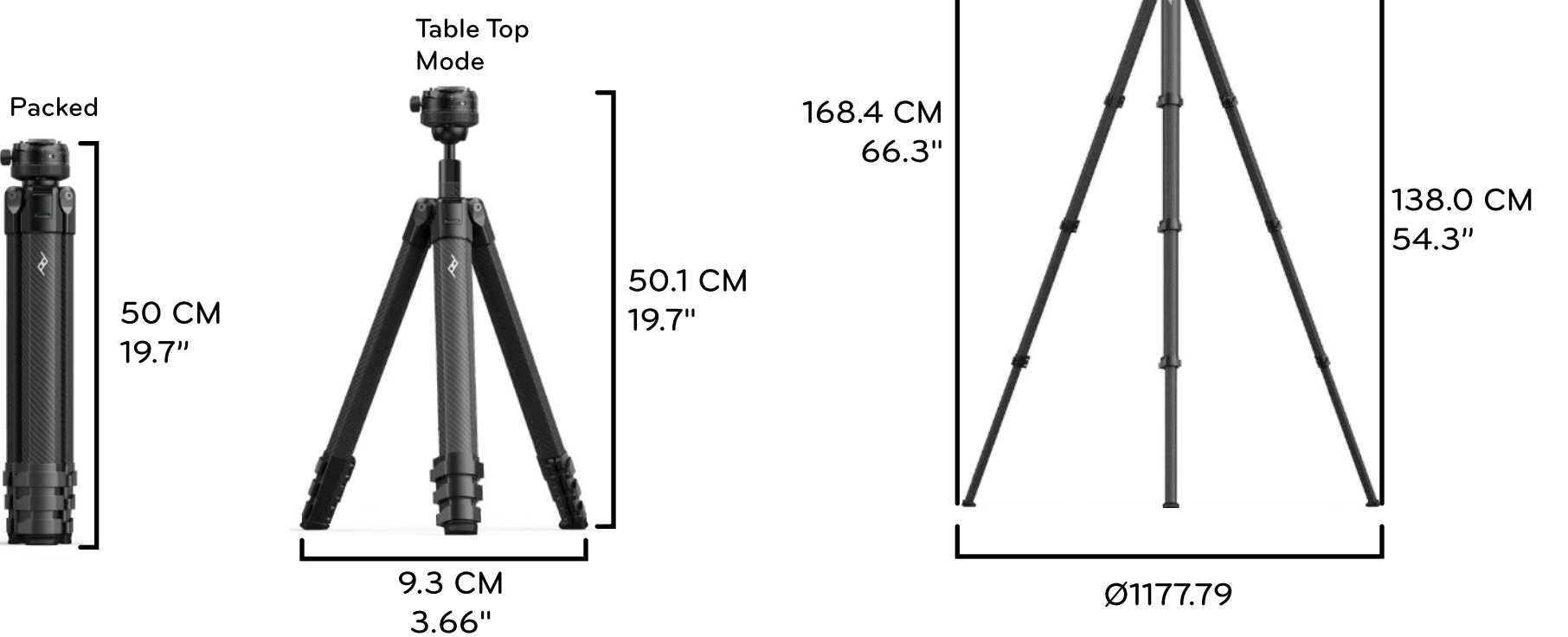
### PRO LITE TRIPOD

- 1.7kg (3.7lb)

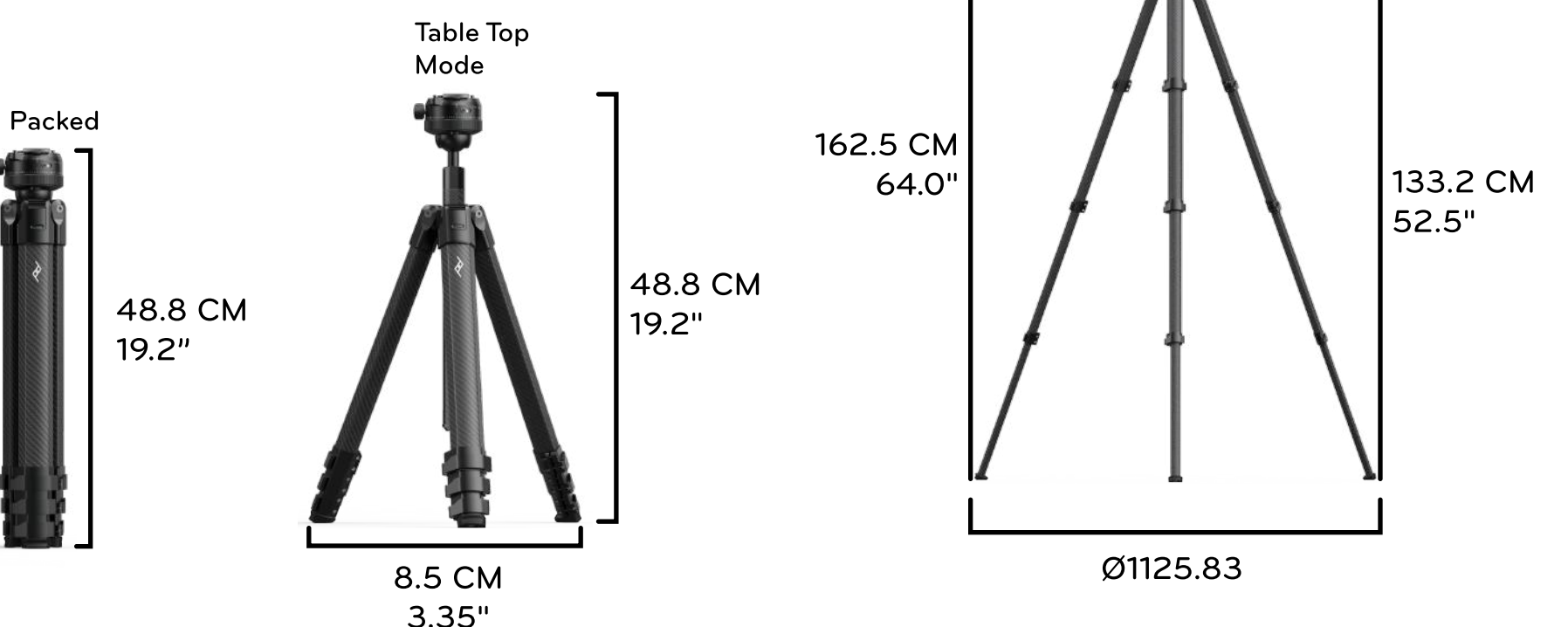
### PT-T-BK-1 PRO TALL TRIPOD BLACK



### PT-S-BK-1 PRO TRIPOD BLACK



### PT-L-BK-1 PRO LITE TRIPOD BLACK





## Tripod Specs

PRO LITE	PRO	PRO TALL	TRAVEL TRIPOD (ALUMINUM)	TRAVEL TRIPOD (CARBON)
<b>WEIGHT</b> 3.7 LB 1.7 KG	<b>WEIGHT</b> 4.2 LB 1.9 KG	<b>WEIGHT</b> 4.5 LB 2.0 KG	<b>WEIGHT</b> 3.44 LB 1.56 KG	<b>WEIGHT</b> 2.81 LB 1.27 KG
<b>PACKED LENGTH</b> 19.2" 48.8 CM	<b>PACKED LENGTH</b> 19.7" 50.1 CM	<b>PACKED LENGTH</b> 22.9" 58.1 CM	<b>PACKED LENGTH</b> 15.5" 39.4 CM	<b>PACKED LENGTH</b> 15.5" 39.4 CM
<b>PACKED DIAMETER</b> 3.35" 8.5 CM	<b>PACKED DIAMETER</b> 3.66" 9.3 CM	<b>PACKED DIAMETER</b> 3.66" 9.3 CM	<b>PACKED DIAMETER</b> 3.25" 8.3 CM	<b>PACKED DIAMETER</b> 3.25" 8.3 CM
<b>DEPLOYED (CC UP)</b> 64" 162.5 CM	<b>DEPLOYED (CC UP)</b> 66.3" 168.4 CM	<b>DEPLOYED (CC UP)</b> 77" 197.4 CM	<b>DEPLOYED (CC UP)</b> 60" 152.4 CM	<b>DEPLOYED (CC UP)</b> 60" 152.4 CM
<b>DEPLOYED (CC DOWN)</b> 52.5" 133.2 CM	<b>DEPLOYED (CC DOWN)</b> 54.3" 138 CM	<b>DEPLOYED (CC DOWN)</b> 63.8" 162 CM	<b>DEPLOYED (CC DOWN)</b> 51.25" 130.2 CM	<b>DEPLOYED (CC DOWN)</b> 51.25" 130.2 CM
<b>MIN HEIGHT</b> 6.2" 15.8 CM	<b>MIN HEIGHT</b> 6.3" 15.9 CM	<b>MIN HEIGHT</b> 6.8" 17.3 CM	<b>MIN HEIGHT</b> 5.5" 14 CM	<b>MIN HEIGHT</b> 5.5" 14 CM
<b>WEIGHT CAPACITY</b> 35 LB 15.9 KG	<b>WEIGHT CAPACITY</b> 40 LB 18.1 KG	<b>WEIGHT CAPACITY</b> 40 LB 18.1 KG	<b>WEIGHT CAPACITY</b> 20 LB 9.1 KG	<b>WEIGHT CAPACITY</b> 20 LB 9.1 KG
<b>LEG SECTIONS</b> 4	<b>LEG SECTIONS</b> 4	<b>LEG SECTIONS</b> 4	<b>LEG SECTIONS</b> 5	<b>LEG SECTIONS</b> 5

## Pro Tripod VS. Travel Tripod

### Primary Differences

- Pro Tripod has much stiffer, more stable and can hold a larger weight capacity (40 lb vs. 20 lb)
- Fully CNC-machined aluminum w/ recycled 6061-T6 aluminum (Travel Tripod has a few cast/powder-coated parts)
- A completely overhauled Pro Ball Head for Pro Tripod with feature & usability improvements including:
  - Integrated fluid panning
  - New quick-lock system grips camera faster & tighter
  - New cinch ring & tension gauge to quickly increase grip strength
  - New safety toggle for total security
  - An always-visible bubble level
  - 15 degrees of adjustment even when center column is fully stowed
- Leg lock levers, center column knob, & angle adjusters tuned for smoother, faster, stronger operation
- Redesigned carry sleeve with integrated strap
- Leg levers and sections are much easier to disassemble/reassemble for cleaning & maintenance



# Pro Tripod Features and Components

