

# RTU366GX

Product family	Cooktop
Installation	Proud or flush mounted
Dimensions	36"
Type	Gas
EAN code	8017709292492



## Aesthetic



Aesthetics	Portofino
Color	Stainless steel
Finishing	Satin
Material	Enameled
Stainless steel type	Brushed
Grates	Cast iron
Burners material	Aluminum
Control setting type	Control knobs
No. of controls	6
Controls color	Stainless steel effect

## Program / Functions

Burners	6
Cooking zones	6

## Technical Features

Front-left	5.30 kW - 18000 BTU
Rear-left	3.50 kW - 12000 BTU
Front-center	3.50 kW - 12000 BTU
Rear-center	3.50 kW - 12000 BTU
Rear-right	3.50 kW - 12000 BTU
Front-right	5.30 kW - 18000 BTU
Gas safety valves	Yes

## Accessories Included

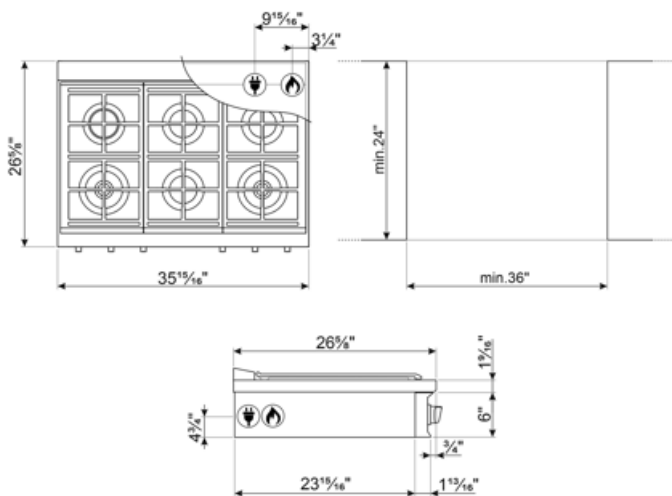
Other accessories      Simmer Cap

## Electrical Connection

<b>Plug</b>	(B) USA 120V	<b>Electric cable type</b>	Single phase
<b>Nominal power</b>	12 W	<b>Frequency</b>	60 Hz
<b>Current</b>	0.1 A	<b>Power cord length</b>	47 1/4 "
<b>Voltage</b>	120 V	<b>Plug</b>	B

## Gas Connection

<b>Gas Type</b>	G20 Natural gas	<b>Other gas nozzles included</b>	G30 LPG liquid gas
<b>Gas connection</b>	Cylindric		



## Symbols glossary

---



Heavy duty cast iron pan stands: for maximum stability and strength.



Knobs control



Ultra rapid burners: Powerful ultra rapid burners offer up to 5kw of power.

## Benefit (TT)

---

### **Gas hobs**

Consistent heat source control and easy, immediate temperature adjustment

Equipped with a thermocouple, the gas supply is cut off if the flame is extinguished for greater safety.

### **Enamelled**

Long-lasting protection against rust and wear: the enamelled metal top offers strength and durability thanks to the enamel that prevents corrosion, oxidation, and signs of aging.

### **Cast iron**

Solid and sturdy, easy to clean and maintain every day, thanks to the cast-iron pan supports—an emblem of long-lasting efficiency and durability.

### **Standard**

Optimal cooking for any dish: burners combine efficiency and practicality, ensuring precise and even results even with prolonged use.

Accurate power adjustment via knobs, for more precise cooking level control

### **Control knob position frontal**

Instant and intuitive control thanks to front controls, easily accessible for practical use.

6 powerful burners for maximum freedom: deliver top performance and total freedom in the kitchen, ideal for complex recipes and those who need space and power.

### **Gas safety valves**

Automatic protection against gas leaks: the thermocouple stops gas flow in the absence of flame, ensuring a safe environment even during unexpected shutdowns.