



ASSEMBLY INSTRUCTIONS

Accessory Pack Contents

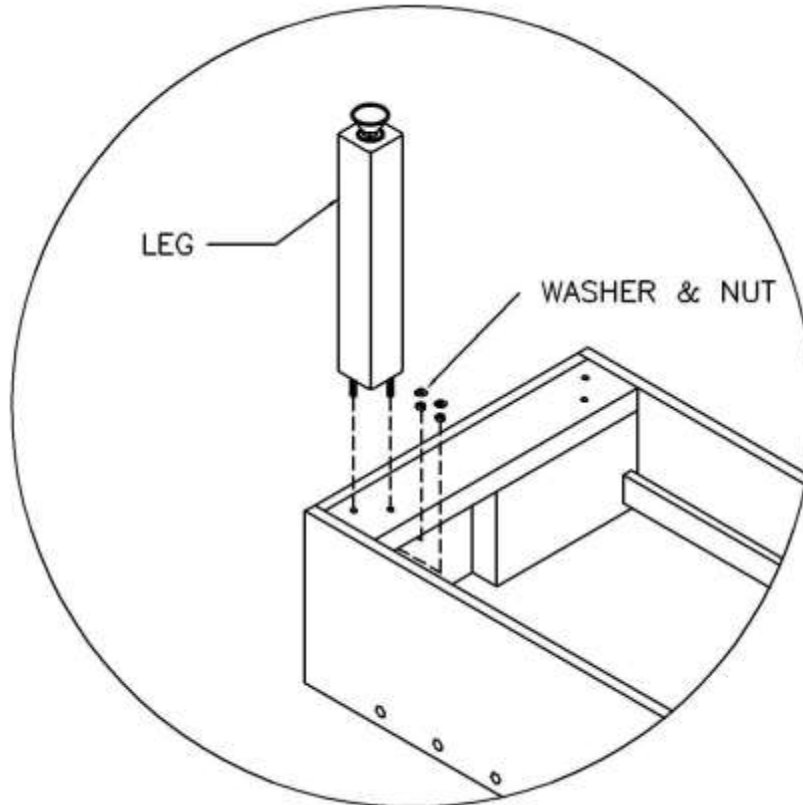
	(part number)	(qty)
• SOCCER LEG ASSEMBLY		4
• BLACK PLASTIC PLAYER w/WEIGHT	20515222	13
• YELLOW PLASTIC PLAYER w/WEIGHT	20515232	13
• TWO MAN ROD (48 ³ / ₈ " long)	20606811	2
• THREE MAN ROD (43 ³ / ₈ " long)	20606821	2
• GOALIE ROD (41 ¹ / ₂ " long)	20606831	2
• FIVE MAN ROD (38 ⁷ / ₈ " long)	20606841	2
• BEARING WRENCH (Elite only)	20515191	1
• MAPLE HANDLE	21706700	8
• ROD SUPPORT BLOCK (2 ³ / ₄ X 2 ³ / ₄)		1
• SOCCER BALLS	20515170	3
• SCORE POST	20515181	4
• #10 x 2 ¹ / ₂ SCORE POST MOUNTING SCREWS	20102490	4
• BLONDE SCORE DISK	21706640	5
• BLACK SCORE DISK	21706650	5
• SCORE POST ROD	20607500	2
• ROLL PIN PUNCH	21706670	1
• ROLL PIN	21706690	26
• BUMPER	20701060	16
• RULE BOOKLET	21706621	1
• SILICONE IN 2 oz. BOTTLE	988000125	1

Tools Required:

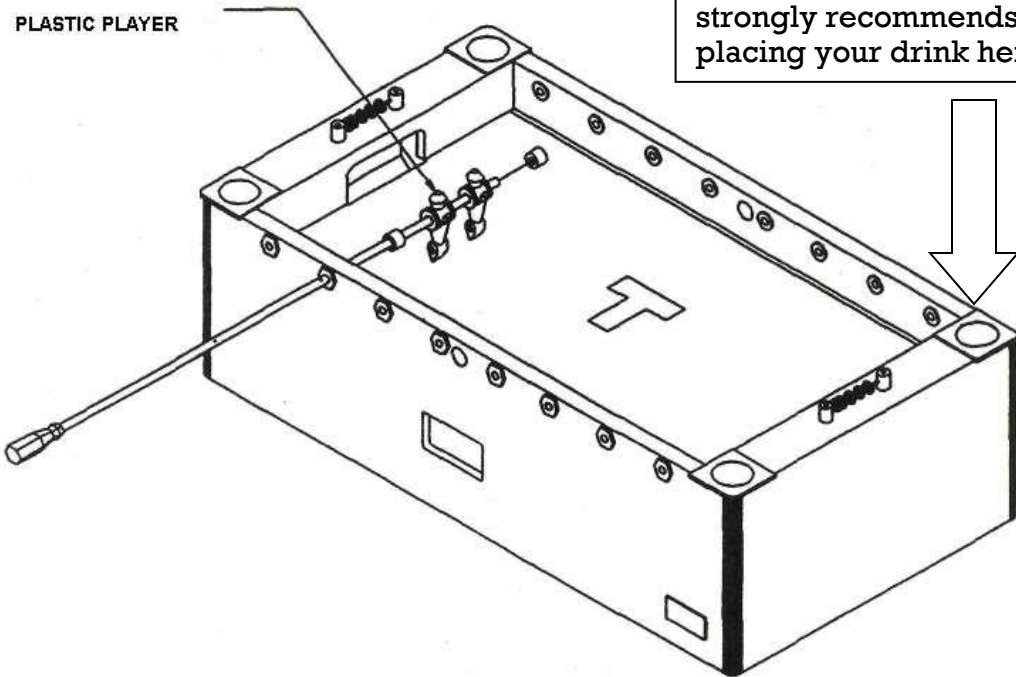
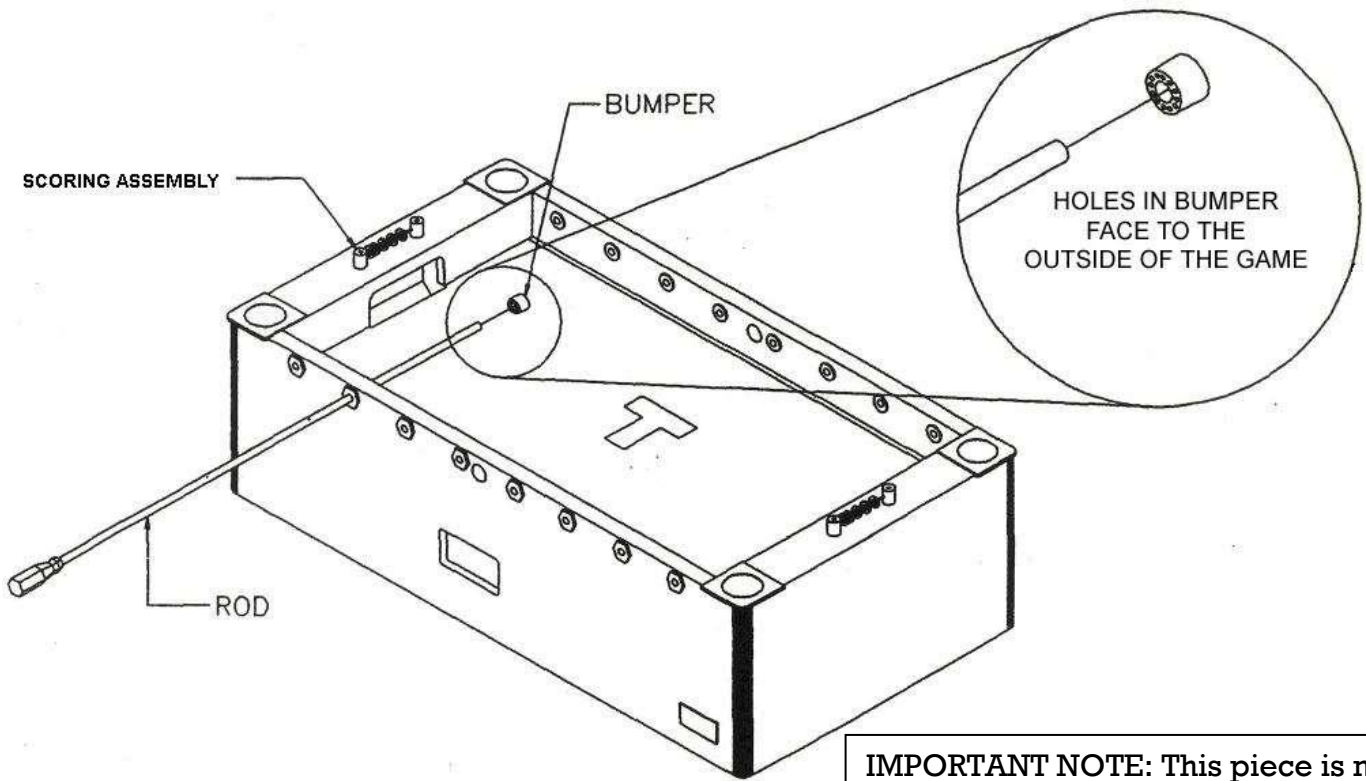
- SMALL HAMMER
- PHILLIPS SCREWDRIVER
- 9/16" BOX-END OR SOCKET WRENCH
- ALL-PURPOSE CLEANER (*Fantastik, Formula 409, Windex or equivalent*)
- CLEAN CLOTH

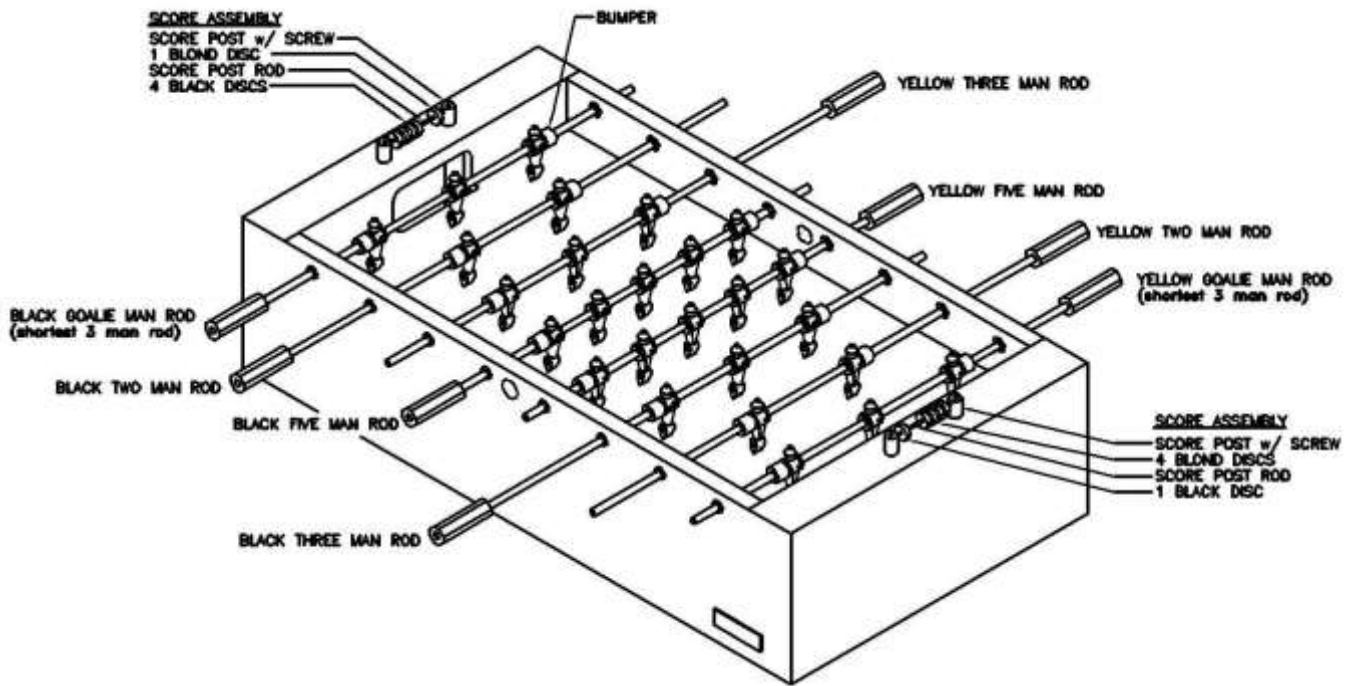
Contact your Distributor if any parts are missing or incorrect

1. Remove all parts and accessories from parts box and check against the enclosed list.
2. Turn the table upside down, taking care not to scratch or damage the top laminates or Corner Caps (best to assemble on carpet).
3. Remove the nuts and washers from each leg and insert the leg into the two diagonal holes in the bottom of the game.
4. Assemble the nuts and washers to the leg bolts and finger tighten. Make sure each leg is pulled squarely into the corner of the cabinet on all four sides before tightening with a wrench. Be careful not to over-tighten the nuts. Make sure the Leg Levelers are screwed in all the way.
5. Have at least two people set the table upright. Wipe it off with a damp cloth.

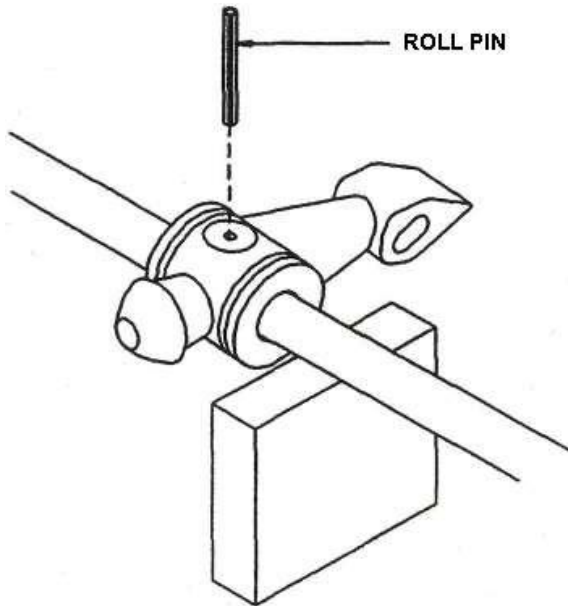


6. Thread the appropriate rods through the corresponding bearing hole (there are two rods with holes for three players – the SHORTER of these is the goalie rod. The LONGER is the actual “Three man rod”). Thread the rod through one side of the cabinet and wipe a thin coating of silicone on the rod using a cloth or paper towel. Thread one black rubber bumper onto the rod (make sure that the side of the bumper with the holes always faces the cabinet wall).
7. Thread the appropriate number of men onto each rod (smiling face of black men facing yellow goal and smiling face of yellow men facing black goal), followed by another rubber bumper on the far end. Slide the end of the rod into the bearing hole in the opposite cabinet wall.





8. To secure the men, align the holes in each man with the holes in the rod. Using the rod support block or bearing wrench under the rod near the man, place the roll pin in the man hole (slot in the roll pin down toward the foot) and tap it through the man with a hammer, until it is flush on both sides



9. To remove the men, place the pointed end of the included roll pin punch into the roll pin and drive it out. The roll pins are reusable.

10. Mount the score assemblies at each end of the table.

11. Level the table by rotating the levelers on the bottom of each leg.

12. Lubricate the game at least once a month.

- a. Wipe each rod with a clean dry cloth.
- b. Pull the handle end of each rod out towards you and apply one drop of silicone to the top of the rod, approximately one inch from the outside of the game.
- c. Continuously spin the rod while pushing it in and pulling it out of the game.
- d. Remove any excess silicone with a clean soft cloth.

VISIT WWW.VALLEYDYNAMOPARTS.COM FOR WARRANTY REGISTRATION AND REPLACEMENT PARTS ORDERS. ENJOY YOUR NEW *TORNADO* TABLE.

