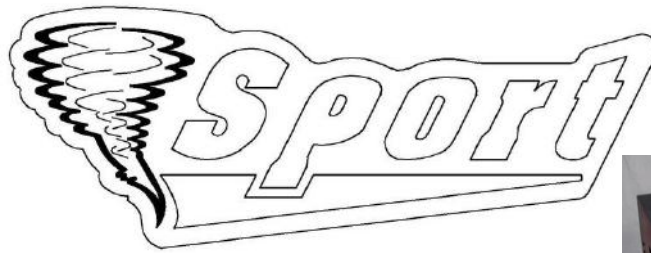


TORNADO



ASSEMBLY INSTRUCTIONS

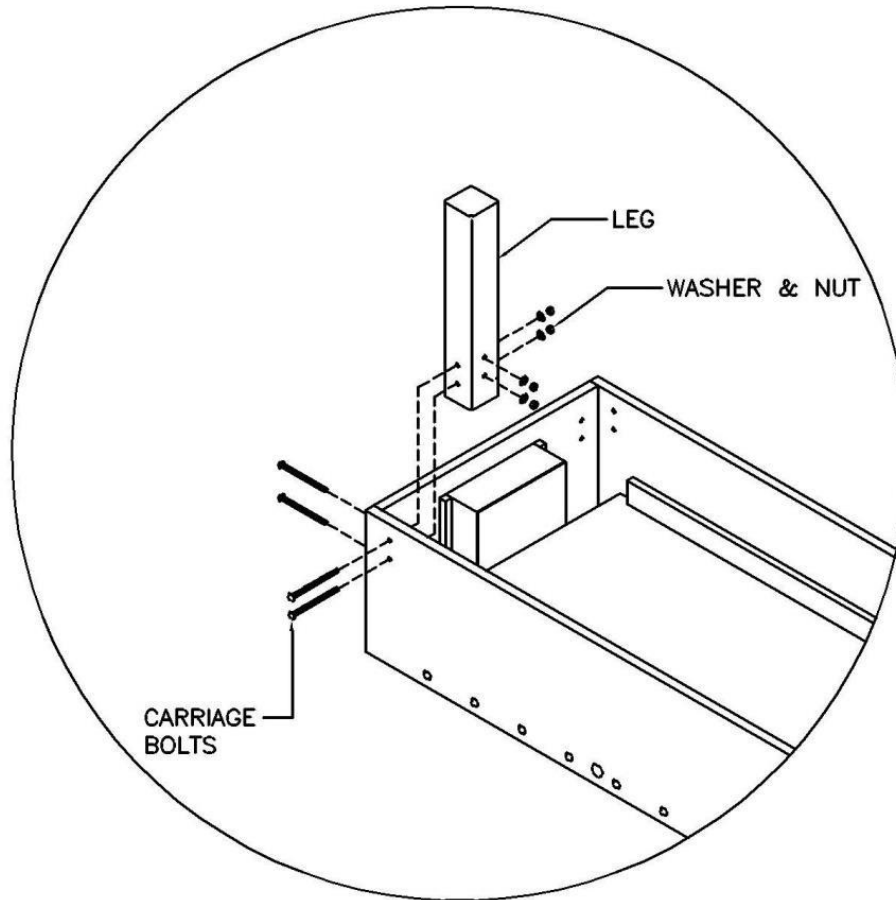
Accessory Pack Contents

• SOCCER LEG	part # 11902101	4
• LEG BOLT	part # 870010421	16
• LEG NUT	part # 20300900	16
• WASHER	part # 20401080	16
• LEG BOOT	part # 20701070	4
• LEG SHIMS		10
• BLACK PLASTIC PLAYER without WEIGHT	part # 20515001	13
• YELLOW PLASTIC PLAYER without WEIGHT	part # 20515011	13
• TWO MAN ROD	part # 20606861	2
• THREE MAN ROD (43 ³ / ₈ " long)	part # 20606871	2
• GOALIE ROD (41 ¹ / ₂ " - shorter than 3 man)	part # 20606881	2
• FIVE MAN ROD	part # 20606891	2
• BLACK RUBBER HANDLE (on rods)	part # 900100205	8
• ROD SUPPORT BLOCK (2 ³ / ₄ " x 2 ³ / ₄ ")		1
• SOCCER BALLS	part # 20515170	3
• SCORE POST	part # 20515181	4
• #12 x 2 ¹ / ₂ " SCORE POST SCREWS	part # 20102490	4
• BLONDE SCORE DISK	part # 21706640	5
• BLACK SCORE DISK	part # 21706650	5
• SCORE POST ROD - 6 ¹ / ₈ "	part # 20607500	2
• ROLL PIN PUNCH	part # 21706670	1
• ROLL PIN	part # 21706690	26
• BUMPER	part # 20701060	16
• RULE BOOKLET	part # 21706621	1
• SILICONE IN 2 oz. BOTTLE	part # 988000125	1

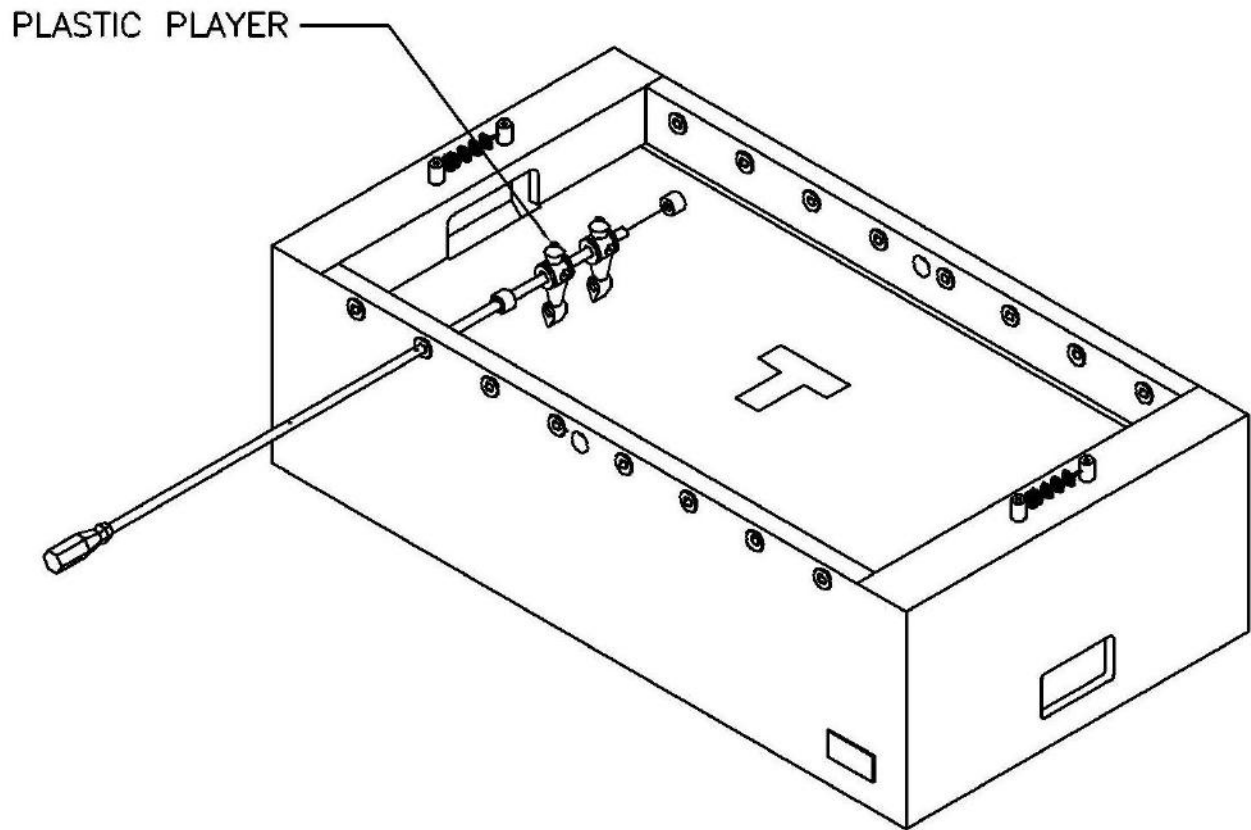
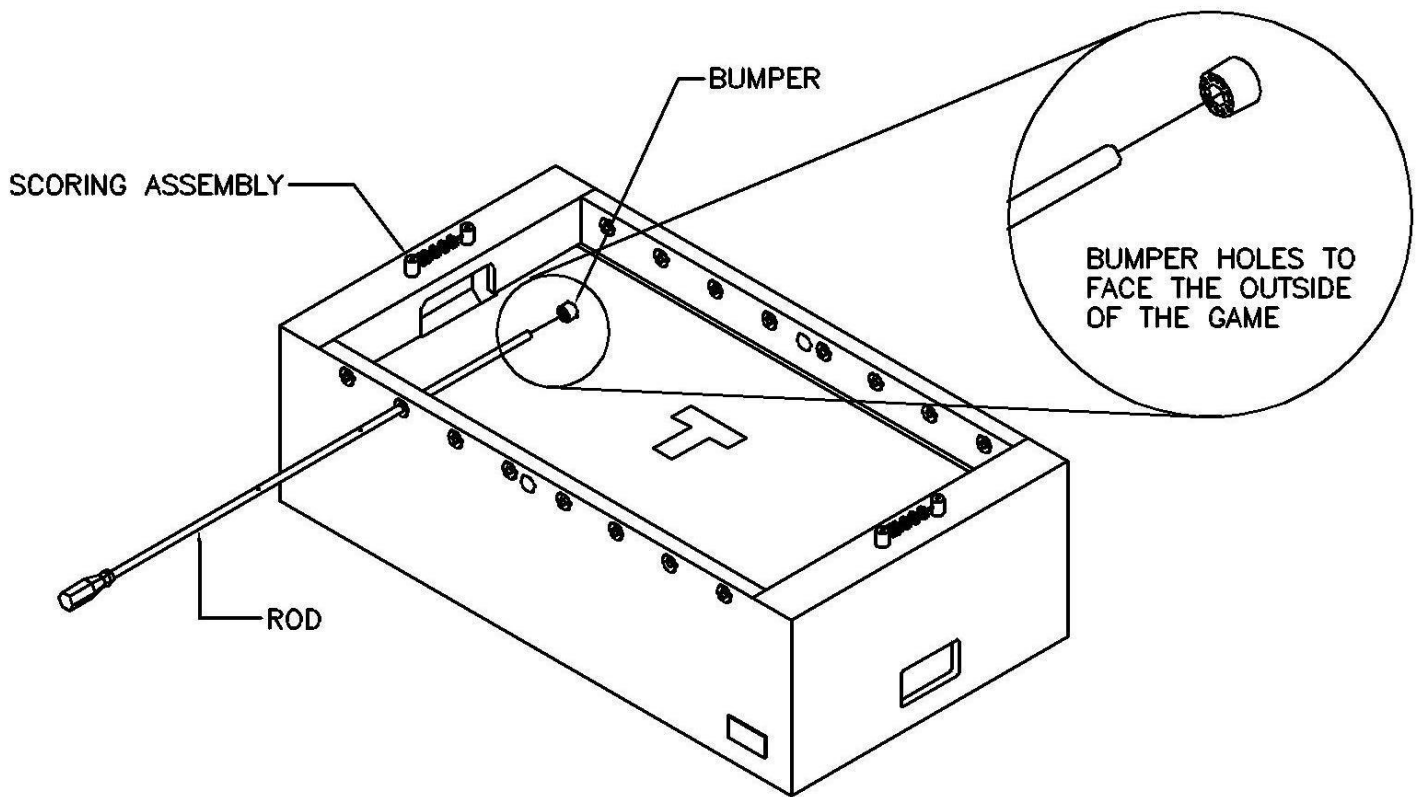
Tools Required:

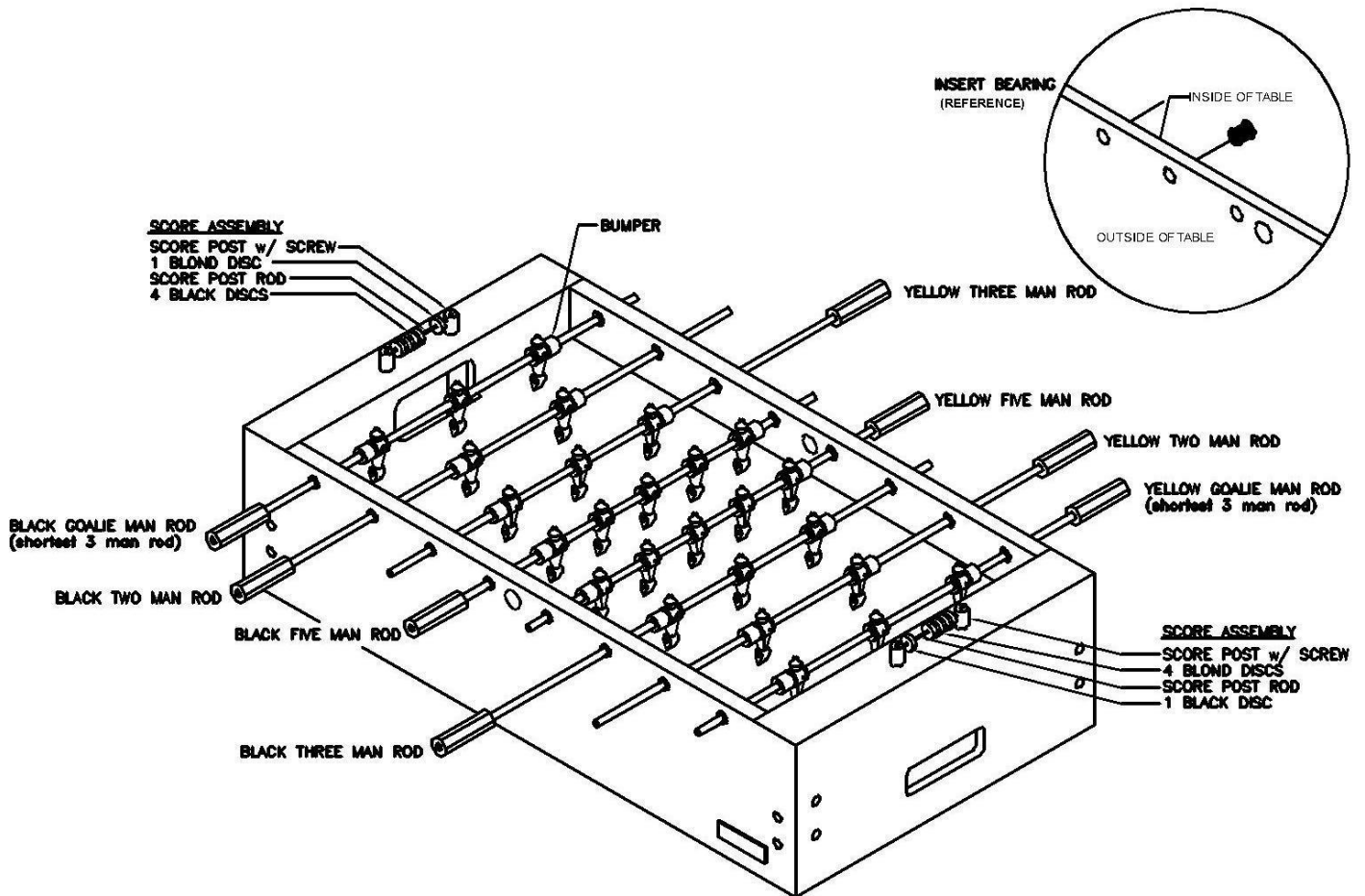
- SMALL HAMMER
- PHILLIPS SCREWDRIVER
- 9/16" BOX-END OR SOCKET WRENCH
- ALL-PURPOSE CLEANER (*Fantastik, Formula 409, Windex or equivalent*)
- CLEAN CLOTH

1. Remove all parts and accessories from parts box and check against the enclosed list.
2. Turn the table upside down, taking care not to scratch the top (assemble on carpet or cardboard).
3. The legs may be assembled in two positions depending on the holes used. Installing them to the higher position places the table at regulation height. The lower position makes it easier for children to enjoy the game.
4. Using two people set the table upright and wipe it off with a damp cloth.

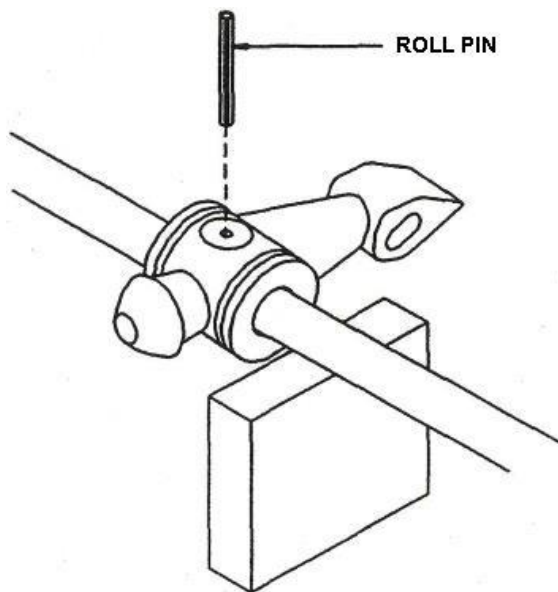


5. Thread the appropriate rods through the corresponding bearing hole (be careful, there are four 3-holed rods and the two shortest of these four rods are the goalie rods). Thread the rod through one side of the cabinet and wipe a thin coating of silicone on the rod using a cloth or paper towel. Thread one black rubber bumper onto the rod (make sure that the side of the bumper with the holes always faces the cabinet wall).
6. Thread the appropriate number of men onto each rod (smiling face of black men facing yellow goal and smiling face of yellow men facing black goal), followed by another rubber bumper on the far end. Slide the end of the rod into the bearing hole in the opposite cabinet wall.

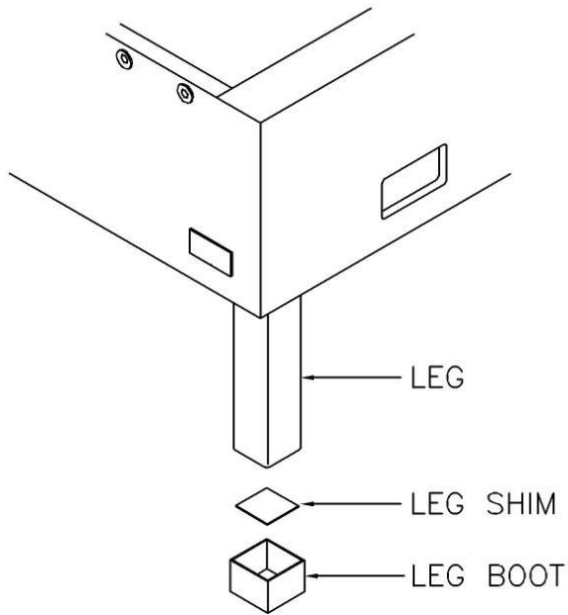




- To secure the men, align the holes in each man with the holes in the rod. Using the rod support block under the rod near the man, place the roll pin in the man hole (slot in the roll pin down toward the foot) and tap it through the man with a hammer, until it is flush on both sides



- To remove the men, place the pointed end of the included roll pin punch into the roll pin and drive it out. The roll pins are reusable.



9. Mount the score assemblies at each end of the table.

10. Level the table by inserting the included shims into the leg where required.

11. Lubricate the game at least once a month.

- Wipe each rod with a clean dry cloth.
- Pull the handle end of each rod out towards you
- Apply one drop of silicone to the top of the rod, approximately one inch from the outside of the game.
 - Continuously spin the rod while pushing it in and pulling it out of the game.
 - Remove any excess silicone with a clean soft cloth.

**VISIT WWW.VALLEYDYNAMOPARTS.COM
FOR WARRANTY REGISTRATION AND REPLACEMENT PARTS ORDERS.
ENJOY YOUR NEW *TORNADO* SPORT TABLE.**

