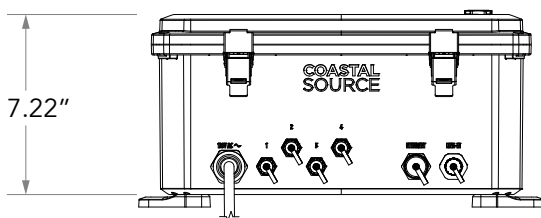
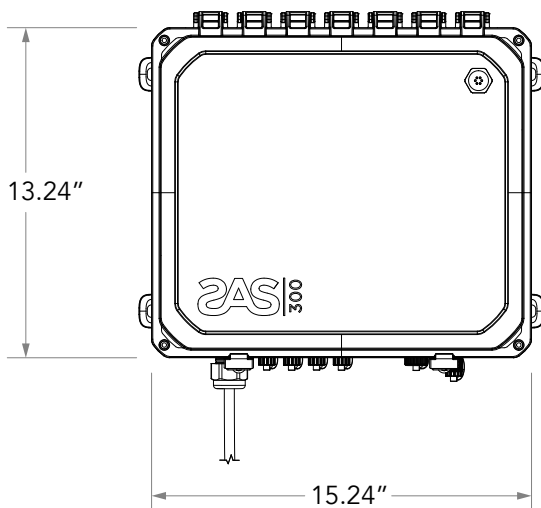


SAS300 AMPLIFIER

The SAS300 is a fully DSP-enabled outdoor amplification system delivering a total of 300W between four channels. This system is designed to be used in exterior wall mount applications for outdoor speaker systems. It comes ready for a Sonos Port (sold separately) or loaded with a Bluetooth receiver for a fully Self-Contained Audio System. The four programmable channels offer unrivaled control and flexibility.

NOTES:

1. This amplifier ships with the channels preconfigured for the CS speakers ordered with the system.
2. SAS should always be installed in a shady area if possible, and the lid should be fully screwed down to ensure waterproofing.



SAS300 AMPLIFIER SPECIFICATIONS

Dimensions: 13.24" x 15.24" x 7.22"

Weight: 18 lbs

Construction: Polycarbonate & Stainless Steel

Max Speakers: Up to 2x8 ohm speakers per channel
and up to 1x8 ohm sub total

Frequency Response at 8 ohms: 20Hz-20kHz +/- 0.5 dB

Idle Power: 15W

Power In: 100-240 VAC @ 50-60Hz

Power Out: 300W

Impedance: Stable to 4 ohms

Mounting: Wall (brackets included)

Input: 1x 5P Line Level Connection,
1x RJ45 Ethernet Connection
(SPR Model Only)

Output: 4x Coastal Connectors (CC)


ORDERING INFORMATION

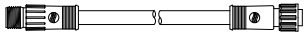
AMP	POWER	
SAS	300S	-SPR (READY FOR SONOS PORT)
		-BT (WITH BLUETOOTH)



e.g. **SAS300S-SPR** = SAS300S Amplifier Ready for Sonos Port

ACCESSORIES

SKU	ITEM		NOTE
C25RJ45	RJ45 CAT 5e Extension Cables		This item is specifically for SAS300S-SPR

CxxLL5P	5-Pin Line Level Extension Cables		
---------	--------------------------------------	-------------------------------------------------------------------------------------	--

--	--	--	--