

# WCOU24LX



Product Family	Wine cooler
Installation	Built-in
Built-In Niche	60 cm
Reference width	60 - 70
Reference height	Higher than 200
Defrost	Automatic
Cooling type	Fan-assisted
Hinge type	Self-balancing
Hinge position	Left



## Wine compartment features



Number of removable shelves	12
Shelves material	Beech
Adjustable shelves	Yes
Removable shelves on telescopic guide rails	Yes
Type of internal light	LED

## Functions



Control setting	Touch controls	Forced light on	Time-limited
Controls	Inside the cooler	Temperature Alarm	Yes
Display type	TFT	Door open alarm	Yes
Display functions	Holiday, Showroom mode, Sabbath mode, Temperature indication	Humidity level setting	Yes
Power-on indicator	Yes		

## Technical Features

Adjustable temperature zones	2	Number of compressors	1
Independent cooling systems	2	Compressor type	Standard
Number of door glasses	3	Refrigerant gas type	R600a
Temperature range	40-65°F	Refrigerant quantity	2.7 oz
		Metal back panel	Metal

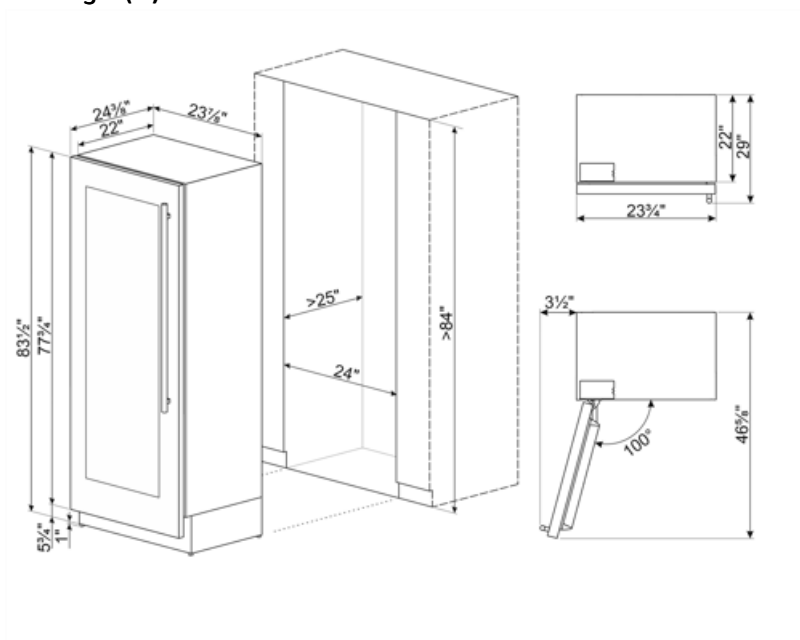
Temperature setting type	Electronic	Adjustable feet	Yes
Anti-UV door glass	Yes	Door opening type	With handle
Antibacterial Gasket	Yes		

## Performance / Energy Label

Max Capacity (bottles 0,75lt)	78	Total volume	93.0 gal
-------------------------------	----	--------------	----------

## Electrical Connection






Plug	(B) NEMA 5-15P	Frequency (Hz)	60 Hz
Current	2,5 A	Power cord length	78 3/4 "
Voltage (V)	115 V		



---

## Symbols glossary

---

- |  |   |   |  |
|--|---|---|--|
|  | The automatic defrost system works by automatically defrosting at regular intervals eliminating the need to defrost altogether. |  | Ventilated: Forced distribution of cold air in the refrigerator compartment, which allows even temperature distribution within the fridge. |
|  | Power saving mode: The power saving mode allows you to disable the refrigerator and keep the freezer working.                   |  | LED interior lighting: is a more energy efficient and long lasting way of illuminating the interior of the appliance.                      |
|  | Touch controls: Easy to use touch controls allow the appliance to be programmed at the touch of a button.                       |   |  |

---

## Benefit (TT)

---

### **External handle**

Handle with sober and elegant aesthetics, for easy door opening

### **UV-protected door glass**

The UV-protected door glass protects the bottles from the passage of light into the wine cooler for impeccable storage

### **LED lights**

LED lights ensure perfect multi-level visibility inside the wine cooler

### **Touch Display**

Touch display for an easy and accurate temperature management inside the refrigerated compartment

### **Telescopic guides**

Telescopic sliding guides for easy extraction of wine bottles