

WCOU24L



Product Family	Wine cooler
Installation	Built-in
Reference width	60 - 70
Reference height	Higher than 200
Defrost	Automatic
Cooling type	Fan-assisted
Hinge type	Self-balancing
Hinge position	Left



Wine compartment features



Number of removable shelves	12
Shelves material	Beech
Removable shelves on telescopic guide rails	Yes
Type of internal light	LED

Functions



Control setting	Touch controls	Forced light on	Time-limited
Controls	Inside the cooler	Temperature Alarm	Yes
Display type	TFT	Door open alarm	Yes
Display functions	Holiday, Showroom mode, Sabbath mode, Temperature indication	Humidity level setting	Yes
Power-on indicator	Yes		

Technical Features

Adjustable temperature zones	2	Number of compressors	1
Independent cooling systems	2	Compressor type	Standard
Number of door glasses	3	Refrigerant gas type	R600a
Temperature range	40-65°F	Refrigerant quantity	2.7 oz
		Metal back panel	Metal
		Adjustable feet	Yes

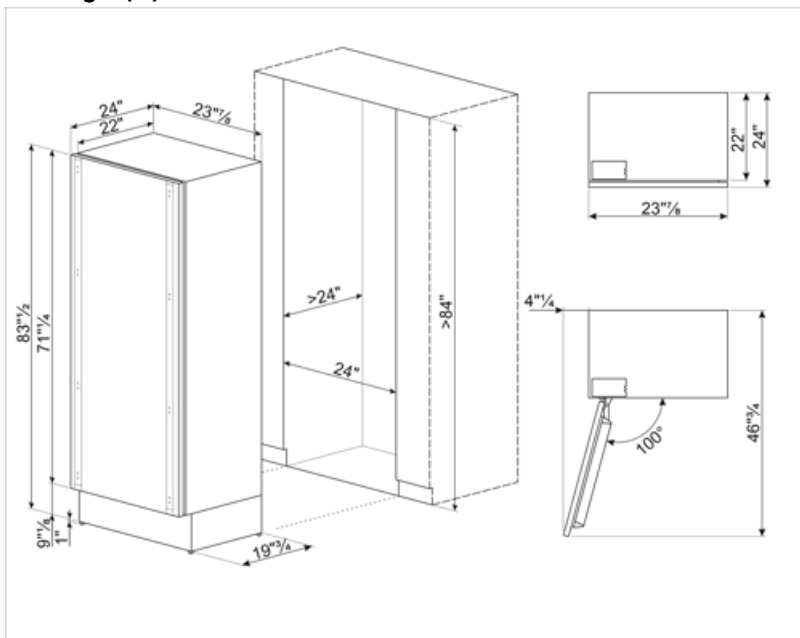
Temperature setting type	Electronic
Anti-UV door glass	Yes
Antibacterial Gasket	Yes

Performance / Energy Label

Max Capacity (bottles 0,75lt)	78	Total volume	93.0 gal
-------------------------------	----	--------------	----------

Electrical Connection

Plug	(B) NEMA 5-15P	Frequency (Hz)	60 Hz
Current	2,5 A	Power cord length	78 3/4 "
Voltage (V)	115 V		



Symbols glossary



The automatic defrost system works by automatically defrosting at regular intervals eliminating the need to defrost altogether.



Power saving mode: The power saving mode allows you to disable the refrigerator and keep the freezer working.



Touch controls: Easy to use touch controls allow the appliance to be programmed at the touch of a button.



Ventilated: Forced distribution of cold air in the refrigerator compartment, which allows even temperature distribution within the fridge.



LED interior lighting: is a more energy efficient and long lasting way of illuminating the interior of the appliance.

Benefit (TT)

UV-protected door glass

The UV-protected door glass protects the bottles from the passage of light into the wine cooler for impeccable storage

LED lights

LED lights ensure perfect multi-level visibility inside the wine cooler

Touch Display

Touch display for an easy and accurate temperature management inside the refrigerated compartment

Telescopic guides

Telescopic sliding guides for easy extraction of wine bottles