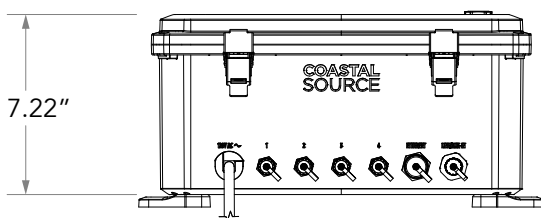
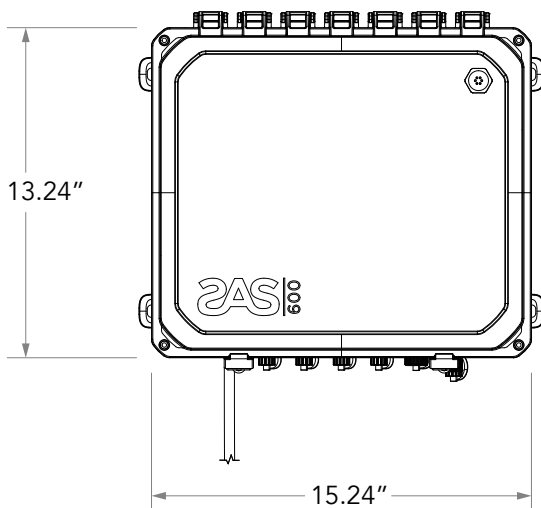


SAS600 AMPLIFIER

The SAS600 is a fully DSP-enabled outdoor amplification system delivering a total of 600W between four channels. This system is designed to be used in exterior wall mount applications for outdoor speaker systems. The four programmable channels offer unrivaled control and flexibility. The SPR model comes ready for a Sonos Port (sold separately), while the BT model comes with Bluetooth onboard for a fully Self-Contained Audio System.

NOTES:

1. This amplifier ships with the channels preconfigured for the CS speakers ordered with the system.
2. SAS should always be installed in a shady area if possible, and the lid should be fully screwed down to ensure waterproofing.



SAS600 AMPLIFIER SPECIFICATIONS

Dimensions: 13.24" x 15.24" x 7.22"

Weight: 18 lbs

Construction: Polycarbonate & Stainless Steel

Max Speakers: Up to 4x8 ohm speakers per channel
and up to 2x8 ohm subs total

Frequency Response at 8 ohms: 20Hz-20kHz +/- 0.5 dB

Idle Power: 21W

Power In: 100-240 VAC @ 50-60Hz

Power Out: 600W

Impedance: Stable to 2 ohms

Mounting: Wall (brackets included)

Input: 1x 5P Line Level Connection,
1x RJ45 Ethernet Connection (SPR Model Only)

Output: 4x Coastal Connectors (CC)


ORDERING INFORMATION

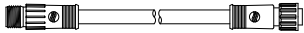
AMP	POWER	
SAS	600S	-SPR (READY FOR SONOS PORT)
		-BT (WITH BLUETOOTH)



e.g. **SAS600S-SPR** = SAS600S Amplifier Ready for Sonos Port

ACCESSORIES

SKU	ITEM		NOTE
C25RJ45	RJ45 CAT 5e Extension Cables		This item is specifically for SAS600S-SPR

CxxLL5P	5-Pin Line Level Extension Cables		
---------	-----------------------------------	---	--

--	--	--	--