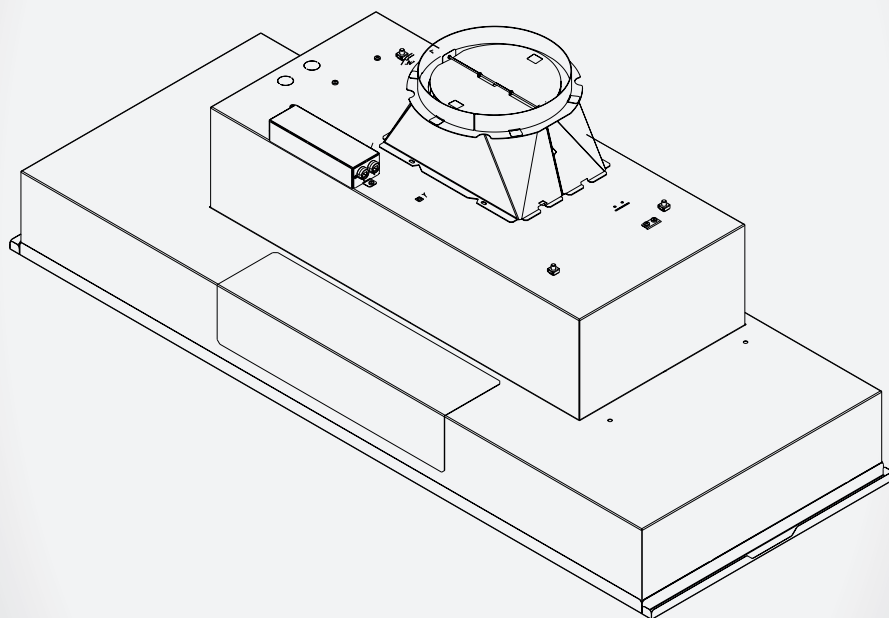


elica[®]

**Use, Care, and
Installation Guide**

**Guide
d'utilisation,
d'entretien et
d'installation**

**Guía de
instalación, uso y
mantenimiento**



**READ AND SAVE THESE
INSTRUCTIONS**

**LISEZ CES
INSTRUCTIONS ET
CONSERVEZ-LES**

**LEA Y CONSERVE
ESTAS INSTRUCCIONES**

Model: | ETR146SS

LIB0175183D

Contents

- Important safety notice..... 3
 - Electrical & installation requirements 4
 - Before installing the hood 4
- Product dimensions 4
- List of materials..... 5
 - Parts supplied 5
 - Parts not supplied 5
- Ducting options and examples..... 6
- Installation 8
 - Electrical connection..... 9
 - Complete the installation..... 9
- Description of the hood..... 9
- Control..... 9
- Maintenance 10
- Warranty 11

**APPROVED FOR RESIDENTIAL APPLIANCES
 FOR RESIDENTIAL USE ONLY
 READ AND SAVE THESE INSTRUCTIONS**

**PLEASE READ ENTIRE INSTRUCTIONS BEFORE PROCEEDING.
 INSTALLATION MUST COMPLY WITH ALL LOCAL CODES.**

IMPORTANT: Save these Instructions for the Local Electrical Inspector’s use.
INSTALLER: Please leave these Instructions with this unit for the owner.
OWNER: Please retain these instructions for future reference.

Safety Warning: Turn off power circuit at service panel and lock out panel, before wiring this appliance.
Requirement: 120 V-, 60 Hz. 15 or 20 A Branch Circuit.

⚠ Important Safety Notice

⚠ CAUTION

FOR GENERAL VENTILATING USE ONLY. DO NOT USE TO EXHAUST HAZARDOUS OR EXPLOSIVE MATERIALS AND VAPOURS.

INTENDED FOR OUTDOOR COVERED PATIO OR LANAI AREA

SUITABLE FOR USE IN DAMP LOCATION, WHEN INSTALLED IN A GFCI PROTECTED BRANCH CIRCUIT.

⚠WARNING: TO REDUCE THE RISK OF FIRE, ELECTRIC SHOCK, OR INJURY TO PERSONS, OBSERVE THE FOLLOWING:

a) Use this unit only in the manner intended by the manufacturer. If you have questions, contact the manufacturer.

b) Before servicing or cleaning unit, switch power off at service panel and lock the service disconnecting means to prevent power from being switched on accidentally. When the service disconnecting means cannot be locked, securely fasten a prominent warning device, such as a tag, to the service panel.

⚠WARNING: TO REDUCE THE RISK OF FIRE, ELECTRIC SHOCK, OR INJURY TO PERSONS, OBSERVE THE FOLLOWING:

a) Installation work and electrical wiring must be done by qualified person(s) in accordance with all applicable codes and standards, including fire-rated construction.

b) Sufficient air is needed for proper combustion and exhausting of gases through the flue (chimney) of fuel burning equipment to prevent back drafting. Follow the heating equipment manufacturer's guideline and safety standards such as those published by the National Fire Protection Association (NFPA), and the American Society for Heating, Refrigeration and Air Conditioning Engineers (ASHRAE), and the local code authorities.

c) When cutting or drilling into wall or ceiling, do not damage electrical wiring and other hidden utilities.

d) Ducted fans must always be vented to the outdoors.

⚠CAUTION: To reduce risk of fire and to properly exhaust air, be sure to duct air outside - do not vent exhaust air into spaces within walls or ceilings, attics or into crawl spaces, or garages.

⚠WARNING: To reduce the risk of fire or electrical shock, do not use this fan with any solid-state speed control device.

⚠WARNING: TO REDUCE THE RISK OF FIRE, USE ONLY METAL DUCTWORK.

NOTE: Before any cleaning or maintenance operation, disconnect hood from the mains by removing the plug or disconnecting the mains electrical supply.

⚠WARNING: TO REDUCE THE RISK OF A RANGE TOP GREASE FIRE:

a) Never leave surface units unattended at high settings. Boilovers cause smoking and greasy spillovers that may ignite. Heat oils slowly on low or medium settings.

b) Always turn hood ON when cooking at high heat. Do not flambé food under the hood.

c) Clean ventilating fans frequently (at least once every two months). Grease should not be allowed to accumulate on fan or filter.

d) Use proper pan size. Always use cookware appropriate for the size of the surface element.

NOTE: Always wear work gloves for all installation and maintenance operations

⚠WARNING: To Reduce The Risk Of Fire And Electric Shock, Install This Rangehood Only With Remote Blower Models Rated Maximum (Current and/or Horsepower) Or Integral Blowers Manufactured by (Manufacturer's Name), Model(s) (Name of Appliance).

NOTE: a Maximum recommended remote blower rating -Consult ratings table in this section of the manual-

⚠WARNING: TO REDUCE THE RISK OF INJURY TO PERSONS IN THE EVENT OF A RANGE TOP GREASE FIRE, OBSERVE THE FOLLOWING: ^a

a) SMOTHER FLAMES with a close-fitting lid, cookie sheet, or metal tray, then turn off the burner. BE CAREFUL TO PREVENT BURNS. If the flames do not go out immediately, EVACUATE AND CALL THE FIRE DEPARTMENT.

b) NEVER PICK UP A FLAMING PAN - You may be burned.

c) DO NOT USE WATER, including wet dishcloths or towels - a violent steam explosion will result.

d) Use an extinguisher ONLY if:

- You know you have a Class ABC extinguisher, and you already know how to operate it.
- The fire is small and contained in the area where it started.
- The fire department is being called.
- You can fight the fire with your back to an exit.

^aBased on "Kitchen Fire Safety Tips" published by NFPA.

NOTE: This appliance is not intended for use by persons (including children) with reduced physical, sensory or mental capabilities, or lack of experience and knowledge, unless they have been given supervision or instruction concerning use of the appliance by a person responsible for their safety.

NOTE: Children should be supervised to ensure that they do not play with the appliance.

HOOD MODEL	Integral Blower (already included with the hood)		In Line Blower Kit 1200 KIT0154387		External Blower Kit 1200 KIT0153054	
	A	W	A	W	A	W
ETRI46SS	7.6	913	7.6	913	7.6	913

Electrical & Installation Requirements

IMPORTANT

Observe all governing codes and ordinances. It is the customer's responsibility:

- To contact a qualified electrical installer.
- To assure that the electrical installation is adequate and in conformance with National Electrical Code, ANSI/NFPA 70 — latest edition*, or CSA Standards C22.1-94, Canadian Electrical Code, Part 1 and C22.2 No.0-M91-latest edition** and all local codes and ordinances.
- If codes permit and a separate ground wire is used, it is recommended that a qualified electrician determine that the ground path is adequate.
- Do not ground to a gas pipe.
- Check with a qualified electrician if you are not sure range hood is properly grounded.
- Do not have a fuse in the neutral or ground circuit.

IMPORTANT

- Save Installation Instructions for electrical inspector's use.
- The range hood must be connected with copper wire only.
- The range hood should be connected directly to the fused disconnect (Or circuit breaker) box through metal electrical conduit.
- Wire sizes must conform to the requirements of the National Electrical Code ANSI/NFPA 70 — latest edition*, or CSA Standards C22.1-94, Canadian Electrical Code Part 1 and C22.2 No. 0-M91 - latest edition** and all local codes and ordinances.
- If provided with an electrical plug, connect the hood to a receptacle that complies with current regulations and placed in an accessible position. Where an electrical plug is not provided (direct connection to electrical network) or the plug will not be in an accessible position after installation, place an approved bipolar switch in accessible position that provides full disconnection under overvoltage category III conditions, in accordance with local wiring rules.

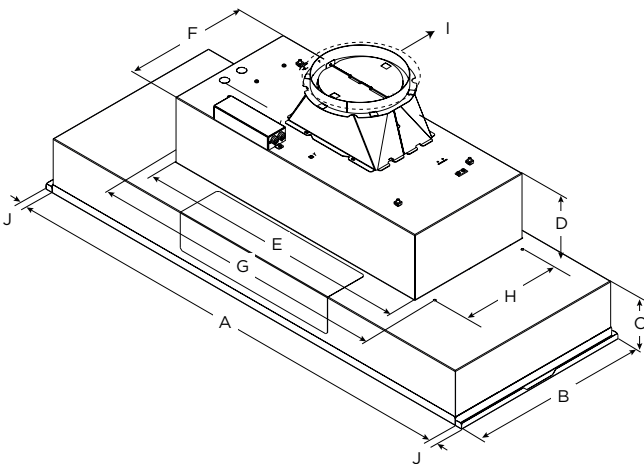
- A U.L.- or C.S.A.-listed conduit connector must be provided at each end of the power supply conduit (at the range hood and at the junction box).

Copies of the standards listed may be obtained from:
 * National Fire Protection Association Batterymarch Park Quincy, Massachusetts 02269
 ** CSA International 8501 East Pleasant Valley Road Cleveland, Ohio 44131-5575

BEFORE INSTALLING THE HOOD

- 1 For the most efficient air flow exhaust, use a straight run or as few elbows as possible.
 CAUTION: Vent unit to outside of building, only.
- 2 At least two people are necessary for installation.
- 3 Fittings material is provided to secure the hood to most types of walls/ceilings, consult a Qualified Installer, check if they perfectly fit with your cabinet/wall.
- 4 Do not use flex ducting.
- 5 COLD WEATHER installations should have an additional backdraft damper installed to minimize backward cold air flow and a nonmetallic thermal break to minimize conduction of outside temperatures as part of the ductwork. The damper should be on the cold air side of the thermal break.
 The break should be as close as possible to where the ducting enters the heated portion of the house.
- 6 Make up air: Local building codes may require the use of Make-Up Air Systems when using Ducted Ventilation Systems greater than specified CFM of air movement. The specified CFM varies from locale to locale. Consult your HVAC professional for specific requirements in your area.

Product Dimensions



	Model
	ETR146SS
A	46½" (118 cm)
B	18" (45.7 cm)
C	5⅞" (13.8 cm)
D	6½" (16.4 cm)
E	27⅞" (70 cm)
F	12⅞" (31.6 cm)
G	29⅜" (75.7 cm)
H	10⅞" (25.6 cm)
I	8" (20.3 cm)
J	¾" (1.9 cm)

List of Materials

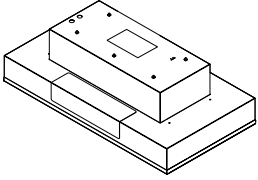


Removing the packaging.

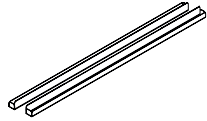
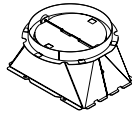
⚠ CAUTION

Remove carton carefully, Wear gloves to protect against sharp edges.

⚠ WARNING

Remove the protective film covering the product before putting into operation.

Supplied Part	Pieces
 <p>Hood assembly with blower and LED lamps already installed</p>	1
 <p>5x45 mm</p>	4
 <p>4x8 mm</p>	10

Supplied Part	Pieces
 <p>Side spacers</p>	2
 <p>8" round air transition</p>	1

Parts no supplied

Tools/Materials required

- Level
- Drill
- 1¼" (3 cm) drill bit
- ⅛" (3 mm) drill bit
- Pencil
- Wire stripper or knife
- Tape measure or ruler
- Pliers
- Caulking gun and weatherproof caulking compound
- Vent clamps
- Jigsaw or keyhole saw
- Flat-blade screwdriver
- Metal snips
- Phillips screwdriver

Parts needed

- Home power supply cable
- 1 - ½" (12.7 mm) UL listed or CSA approved strain relief
- 3 UL listed wire connectors
- 1 wall or roof cap
- Metal vent system

Optional accessories and consumable parts

KIT	# Part
Kit no blower in line	KIT0179549
Kit no blower external	KIT0179547
Carbon filters kit	KIT0192765
Recirculating kit	KIT0192763

Ducting Options

Closely follow the instructions set out in this manual. All responsibility, for any eventual inconveniences, damages or fires caused by not complying with the instructions in this manual, is declined.

Preparation

Do not cut a joist or stud unless absolutely necessary. If a joist or stud must be cut, then a supporting frame must be constructed.

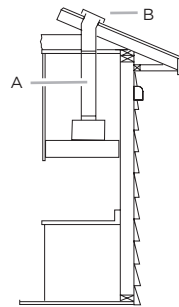
Fittings material is provided to secure the hood to most types of walls/ceilings.

However, a qualified technician must verify suitability of the materials in accordance with the type of wall/ceiling.

Before making cutouts, make sure there is proper clearance within the ceiling or wall for exhaust vent.

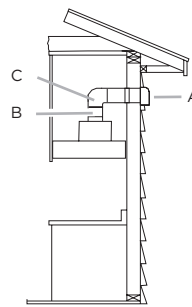
The hood is equipped with a round transition for discharge of fumes to the outside.

Roof Venting



- G. Round vent
- H. Wall cap

Wall Venting



- A. Wall cap
- B. Round vent
- C. 90° elbow

⚠ CAUTION

For gas cooktop & range installations: Mount the hood so the bottom is at least 30" (76.2 cm) above the cooking surface.

For electric/induction cooktop & range installations: Mount the hood so the bottom is at least 24" (61 cm) above the cooking surface.

There is no maximum mounting height, however, we recommend mounting the hood no greater than 36" (91.4 cm) above the cooking surface. For every inch (2.54 cm) above 36" (91.4 cm), fume and moisture capture efficiency diminishes at an increasing rate and may not deliver an acceptable level of ventilating performance.

This hood is intended for household use.

PLEASE READ THE INSTALLATION MANUAL FOR SPECIFIC APPLICATION. Check your ceiling height and hood height before selecting your hood.

Prepare the Location

Install In-Line Kit - Optional

NOTE: Your range hood can work with either an internal or an inline (external) blower motor system. An optional In-Line Kit (purchased separately) allows the blower motor that comes with this range hood to be installed in a location other than inside the range hood cavity.

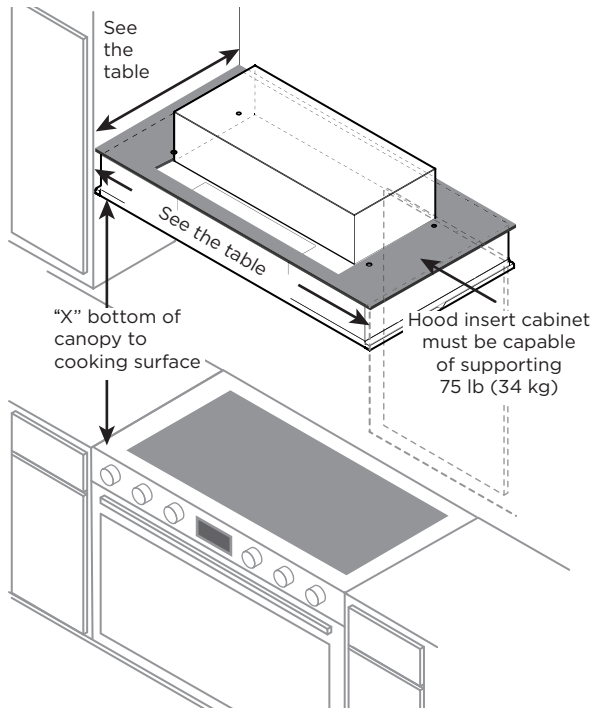
CAUTION: To reduce the risk of fire and electric shock, install this range hood only with the In-Line Kit. See the “optional accessories” section to order. For installation see the In-Line Kit installation instructions. Call the service department.

- Suitable for use in damp location, when installed in a GFCI protected branch circuit.
- Disconnect power.
- Determine which venting method to use: roof or wall exhaust.
- Select a flat surface for assembling the hood insert. Place covering over that surface.
- It is recommended that the vent system be installed before hood is installed.
- Before making cutouts, make sure there is proper clearance within the ceiling or wall for exhaust vent.
- Hood insert should be installed a minimum 24” (61 cm) above an electric cooktop surface and 30” (76.2 cm) above a gas cook top surface. The maximum recommended height over both cook tops is 36” (91.44 cm).
- Check that all installation parts have been removed from the shipping carton.
- Using 2 or more people, lift hood insert onto covered surface.
- Remove the filters. See the “Cleaning” section.

Dimensions and Clearances

This range hood has the flexibility to be installed in two different ways, depending on the width measurement or working area between the left and right cabinetry. Before beginning, it is important to determine the dimension of this working area and to consider the measurements detailed in the next table.

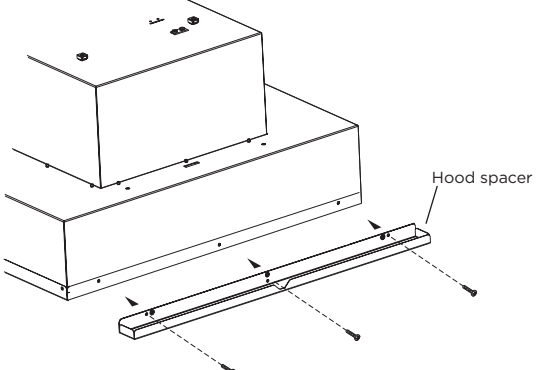
Range Hood Models	Range Hood width without spacers	Range Hood width with spacers	Range Depth
ETR146SS	46½” (117.8 cm)	48” (121.92 cm)	18” (45.7 cm)



IMPORTANT:
 Minimum distance “X”: 24” (61 cm) from electric cooking surfaces.
 Minimum distance “X”: 30” (76.2 cm) from gas cooking surfaces.

Stainless Steel Hood Spacer Installation

- You can elongate 1.5” (3.8 cm) of your range hood width (¾” [1.9 cm] per side), installing the stainless steel spacers included with your range hood.
- Unpack the spacer and take off the protective.
- Put each one on the right and the left side
- Fasten hood spacer using four 5 x 45 mm screws to the hood cabinet and tighten securely.



- If cabinetry designs reduces the width opening (46.5”) to install the hood, the spacers are not used.
- If you have a Full width opening (i.e. 48”) to install the hood, you should use the spacers.

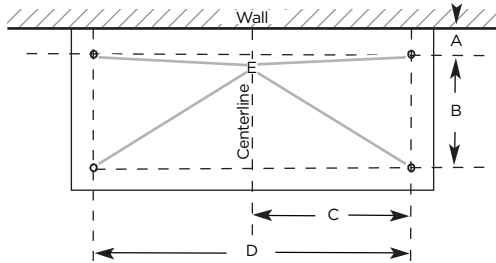
Install Range Hood into Hood Cabinet

The range hood attaches to the hood cabinet using four mounting screws and washers.

NOTE: Hood cabinet must be capable of supporting

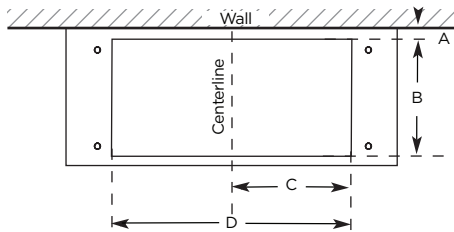
Prepare Range hood for mounting into cabinet

1. Mark the locations for the four mounting screws on the hood cabinet as shown below.
2. Using a 1/8" (3 mm) drill bit, drill the 4 holes.



MOUNTING HOLE DIMENSIONS					
Model	DIM A	DIM B	DIM C	DIM D	DIM E
ETR146SS	6" (15.5 cm)	10 1/8" (25.6 cm)	14 3/8" (38 cm)	29 3/8" (75.8 cm)	Ø 1/8" (3mm)

3. Mark the cutout for the rectangular clearance hole for the upper range hood motor housing as shown.
4. Using a jigsaw or keyhole saw, cut out the rectangular clearance hole for the upper range hood housing.



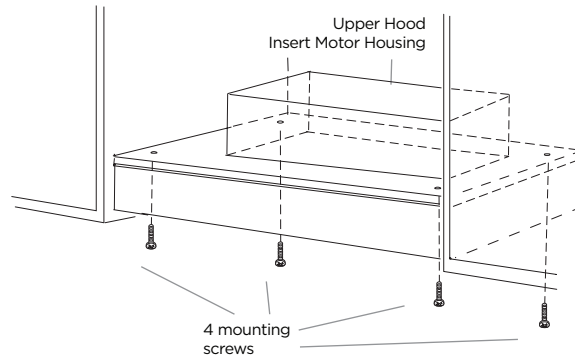
UPPERHOOD MOTOR HOUSING DIMENSIONS				
Model	DIM A	DIM B	DIM C	DIM D
ETR146SS	1 1/8" (1.7 cm)	15 5/8" (38.9 cm)	14 1/2" (36.8 cm)	28 3/8" (73.5 cm)

Install the range hood into the hood cabinet

1. Determine and make all necessary cuts in the wall or roof for the vent system. Install the vent system before installing the cabinet hood insert. See the "Venting Requirements" section.
2. Determine the location where the power supply cable will be run through the wall.
3. Drill a 1 1/4" (3.2 cm) hole at this location.
4. Pull enough power supply cable through the wall to allow for easy connection to the terminal box.
5. Remove terminal box cover and set aside.
6. Install round vent transition with damper to top side of the range hood, using 4 - 3.5 x 9.5 mm screws.
7. Remove knockout from the top of the vent hood and install a UL listed or CSA approved 1/2" (1.3 cm) strain relief.
8. Place the hood insert near its mounting position and run the power supply cable through the strain relief into terminal box (enough to make connection).
9. Tighten the strain relief screws.
10. Using 2 or more people, lift the hood insert into hood cabinet.
11. Fasten the hood insert using four 5 x 45 mm screws to the hood cabinet and tighten securely.

⚠ WARNING

EXCESSIVE WEIGHT HAZARD
USE TWO OR MORE PEOPLE TO MOVE AND INSTALL HOOD INSERT.
FAILURE TO DO SO CAN RESULT IN BACK OR OTHER INJURY.

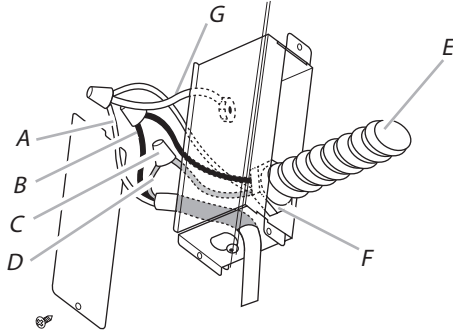


Electrical Connection

⚠ WARNING
ELECTRICAL SHOCK HAZARD.

⚠ WARNING
DISCONNECT POWER BEFORE SERVICING.
REPLACE ALL PARTS AND PANELS BEFORE OPERATING.
FAILURE TO DO SO CAN RESULT IN DEATH OR
ELECTRICAL SHOCK.

1. Disconnect power.
2. Locate terminal box inside of the hood insert.



- | | |
|--------------------------------------|--|
| A. White wires | E. Home power supply |
| B. Black wires | F. UL listed or CSA approved 1/2" (1.3 cm) strain relief |
| C. UL listed wire connectors | G. Ground Wire tab |
| D. Green, bare or yellow/green wires | |

3. Use UL listed wire connectors and connect black wires (B) together.
4. Use UL listed wire connectors and connect white wires (A) together.

⚠ WARNING
ELECTRICALLY GROUND BLOWER.
CONNECT GROUND WIRE TO GREEN AND YELLOW
GROUND WIRE IN TERMINAL BOX. FAILURE TO DO SO CAN
RESULT IN DEATH OR ELECTRICAL SHOCK.

5. Connect green (or bare) ground wire from home power supply to the green/yellow ground wire (D) in terminal box using UL listed wire connectors.
6. Install terminal box cover.
7. Check that all light bulbs are secure in their sockets.
8. Reconnect power.

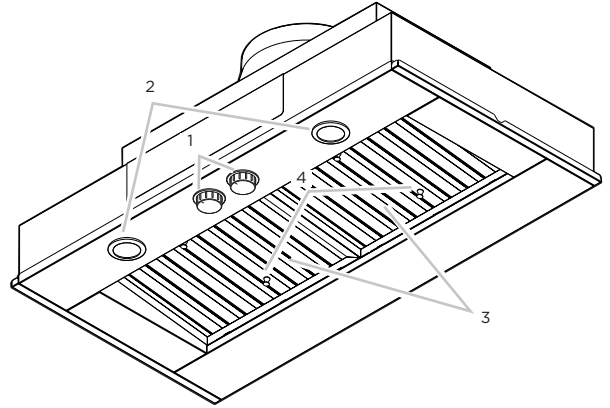
Complete Installation

1. Install grease filters. See the "Cleaning" section.
2. Check operation of the Hood Insert blower and lights. See the "Hood Insert Use" section.
3. If the hood insert does not operate, check to see whether a circuit breaker has tripped or a house hold fuse has blown.

Disconnect power supply and check that the wiring is correct.

NOTE: To get the most efficient use from your new hood insert, read the "Hood Insert Use" section.

Description of the Hood



- | | |
|------------------------------|-------------------------|
| 1. Blower and light controls | 3. Grease filter handle |
| 2. LED lamps | 4. Grease filter |

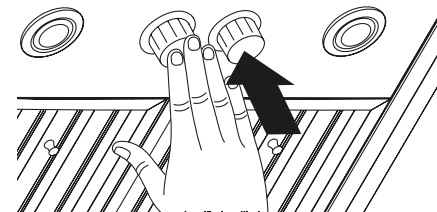
Control

The range hood is designed to remove smoke, cooking vapors and odors from the cooktop area. For best results, start the hood before cooking and allow it to operate several minutes after the cooking is complete to clear all smoke and odors from the kitchen.

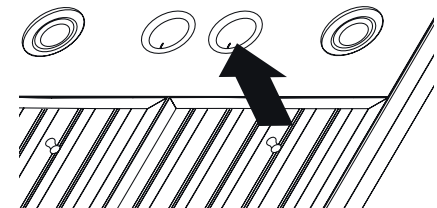
The hood controls are located on the center side of the range hood.

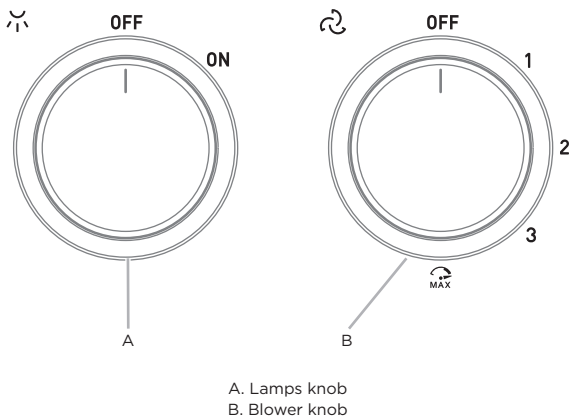
Recessing Knobs

- You can hide control knobs by depressing them until flush with the hood body.



- Pressing the knobs again will lower the knobs, and enable the user to operate the lights and blower.





Operating the lamps

1. Turn the light switch to the “ON” position to turn the range hood lights On.
2. Turn the light switch to the “OFF” position to turn the range hood lights Off.

Operating the blower

1. Turn the blower switch at “1” to turn the range hood on.
2. Turn the blower switch to the desired speed position.
3. Turn the blower switch to the “MAX” position to turn the range hood on max speed.
4. Turn the blower switch to the “OFF” position to turn the range hood blower Off.

Auto On blower

The range hood is equipped with a sensor to automatically turn on the blower when excessive heat is detected in the control area. When the blower switch is in the “Off” position, this sensor will turn the blower to high speed when necessary. When the heat decreases, the blower will turn off. When the blower switch is in the On position, the heat sensor is not active and the range hood functions normally.

Maintenance

Cleaning

Exterior surfaces:

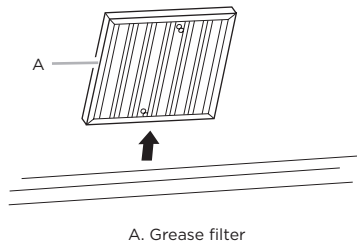
To avoid damage to the exterior surface, do not use steel wool or soap-filled scouring pads. Rub in direction of the grain line to avoid scratching the surface.

Always wipe dry to avoid water marks.

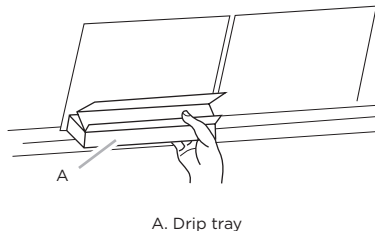
- Stainless Steel Cleaner and Polish.
- Mild liquid detergent and water.
- Wipe with damp soft cloth or non abrasive sponge, then rinse with clean water and wipe dry.
- Do not use chlorine base cleaners.

Metal Filters and Drip Trays:

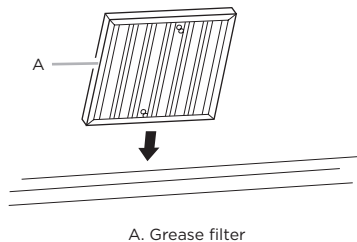
1. Use 2 hands to remove filters.
2. Grasp filter handles, pull toward the front of range hood and pull down on the rear handle to remove. Repeat for each filter.



3. Remove grease drip tray.



4. Wash metal filters and grease trays as needed in dishwasher or hot detergent solution to clean.
5. Replace grease drip tray.
6. Reinstall filters, grasp filter handles and place front edge of filter into the hood.
7. Push up on the back handle and set rear of filter into the drip tray to secure. Repeat for each filter.



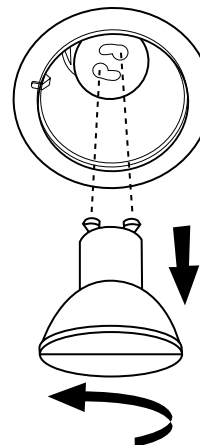
Replacing a LED Lamp

Turn off the range hood and allow the LED lamp to cool.

To avoid damage or decreasing the life of the new lamp, do not touch lamp with bare fingers. Replace lamp, using tissue or wearing cotton gloves to handle lamp.

If new lamps do not operate, make sure the lamps are inserted correctly before calling service.

- 1 Disconnect power.
- 2 Push up on the lens and turn it counterclockwise.
- 3 Remove the lamp and replace it with a 120-volt, 6.5 W watt maximum halogen lamp with a GU10 base. Turn it clockwise to lock it into place.
- 4 Repeat steps 2-3 for the other lamps if needed.
- 5 Reconnect power.



ELICA North America

TWO-YEAR LIMITED WARRANTY

Register your product in

elica.com

and earn a 3rd year of factory warranty, covering all parts plus in-home labor.

TO OBTAIN SERVICE UNDER WARRANTY

Owner must present proof of original purchase date. Please keep a copy of your dated proof of purchase (sales slip) in order to obtain service under warranty.

PARTS AND SERVICE WARRANTY

For the period of two (2) years from the date of the original purchase, Elica will provide free of charge, non consumable parts or components that failed due to manufacturing defects. During these two (2) years limited warranty, Elica will also provide free of charge, all labor and in-home service to replace any defective parts.

WHAT IS NOT COVERED

- Damage or failure to the product caused by accident or act of God, such as, flood, fire or earthquake.
- Damage or failure caused by modification of the product or use of non-genuine parts.
- Damage or failure to the product caused during delivery, handling or installation.
- Damage or failure to the product caused by operator abuse.
- Damage or failure to the product caused by dwelling fuse replacement or resetting of circuit breakers.
- Damage or failure caused by use of product in a commercial application.
- Service trips to dwelling to provide use or installation guidance.
- Light bulbs, metal or carbon filters and any other consumable part.
- Normal wear of finish.
- Wear to finish due to operator abuse, improper maintenance, use of corrosive or abrasive cleaning products/pads and oven cleaner products.
- When the product has not been operated in accordance with the accompanying instructions for use.

WHO IS COVERED

This warranty is extended to the original purchaser for products purchased for ordinary residential use in North America (Including the United States, Guam, Puerto Rico, US Virgin Islands & Canada).

This warranty is non-transferable and applies only to the original purchaser and does not extend to subsequent owners of the product. This warranty is made expressly in lieu of all other warranties, expressed or implied, including, but not limited to any implied warranty of merchantability or fitness for a particular purpose and all other obligations on the part of Elica North America, provided, however, that if the disclaimer of implied warranties is ineffective under applicable law, the duration of any implied warranty arising by operation of law shall be limited to two (2) years from the date of original purchase at retail or such longer period as may be required by applicable law.

This warranty does not cover any special, incidental and/or consequential damages, nor loss of profits, suffered by the original purchaser, its customers and/or the users of the Products.

WHO TO CONTACT

To obtain service under warranty or for any service related question:

- **USA & CANADA - Western Provinces**
SERVICE POWER
888 732 8018
elica@servicepower.com
- **CANADA - Ontario Province**
SERVICE POWER
888 732 8018
elica@servicepower.com
- **CANADA - Quebec & Atlantic Provinces**
ELECTRO-EXPERTS
1 888 915 8888
repartition@electro-experts.com

To ensure prompt after-sales service, when you call we will kindly ask you to provide the following information indicated on the nameplate inside the hood: **hood model, 12 NC and date of purchase on original invoice.** To access the nameplate, all you have to do is remove the grease filters.

12NC: _____

Hood model: _____

Serial No: _____

Date of purchase on original invoice: _____

Table des matières

Avis de sécurité important	14
Exigences électriques et d'installation	15
Avant d'installer la hotte	15
Dimensions du produit	16
Liste des pièces	16
Pièces fournies	16
Pièces nécessaires	17
Méthodes d'évacuation	17
Installation	18
Connection Électrique.....	19
Achever l'installation	20
Description de la hotte	20
Commandes	20
Entretien	21
Garantie	22

**APPROUVÉ POUR LES APPAREILS DE TYPE RÉSIDENTIEL
POUR UNE UTILISATION RÉSIDENTIELLE SEULEMENT
LISEZ CES INSTRUCTIONS ET CONSERVEZ-LES**

**VEUILLEZ LIRE CES INSTRUCTIONS AU COMPLET AVANT DE COMMENCER.
L'INSTALLATION DE L'APPAREIL DOIT RESPECTER TOUS LES CODES EN VIGUEUR.**

IMPORTANT : Conservez ces instructions afin de pouvoir les remettre à l'inspecteur-électricien de votre région.

INSTALLATEUR : Veuillez laisser ces instructions avec l'appareil pour le propriétaire.

PROPRIÉTAIRE : Veuillez conserver ces instructions pour pouvoir vous y référer plus tard.

Avertissement de sécurité : Coupez l'alimentation du circuit dans le panneau électrique et verrouillez le panneau avant de raccorder les fils de cet appareil.

Exigence : 120 V~, 60 Hz circuit de dérivation de 15 V~, 20 Hz, de 15 ou 20 A.


Avis de Sécurité Important

ATTENTION

UTILISER CET APPAREIL À DES FINS DE VENTILATION GÉNÉRALE SEULEMENT. NE PAS UTILISER CET APPAREIL POUR ÉVACUER DES MATÉRIaux OU DES VAPEURS DANGEREUX OU EXPLOSIFS.

DESTINÉ À UN PATIO EXTÉRIEUR COUVERT OU À UNE ZONE DE LANAI

CONVIENT À UNE UTILISATION EN MILIEU HUMIDE, LORSQU'IL EST INSTALLÉ DANS UN CIRCUIT DE DÉRIVATION PROTÉGÉ PAR UN DISJONCTEUR DE FUITE À LA TERRE.

 **ATTENTION:** POUR UNE UTILISATION GÉNÉRALE DE VENTILATION UNIQUEMENT. NE PAS UTILISER POUR ÉVACUER DES MATIÈRES ET DES VAPEURS DANGEREUSES OU EXPLOSIVES.

 **AVERTISSEMENT:** POUR RÉDUIRE LES RISQUES D'INCENDIE, DE CHOC ÉLECTRIQUE OU DE BLESSURES AUX PERSONNES, RESPECTEZ CE QUI SUIT:

a) N'utilisez cet appareil que de la manière prévue par le fabricant. Si vous avez des questions, contactez le fabricant.

b) Avant de procéder à l'entretien ou au nettoyage de l'appareil, coupez l'alimentation au niveau du panneau de service et verrouillez le dispositif de déconnexion du service afin d'éviter toute remise sous tension accidentelle. Si le dispositif de déconnexion ne peut pas être verrouillé, fixez solidement un dispositif d'avertissement bien visible, tel qu'une étiquette, sur le panneau de service.


 **AVERTISSEMENT:** POUR RÉDUIRE LES RISQUES D'INCENDIE, D'ÉLECTROCUTION OU DE BLESSURE, RESPECTEZ LES POINTS SUIVANTS:


a) Les travaux d'installation et le câblage électrique doivent être effectués par des personnes qualifiées, conformément à tous les codes et normes applicables, y compris la construction à indice de résistance au feu.

b) Une quantité d'air suffisante est nécessaire pour assurer une bonne combustion et l'évacuation des gaz par le conduit (cheminée) des appareils à combustible, afin d'éviter le re-foulement. Suivez les directives du fabricant de l'équipement de chauffage et les normes de sécurité telles que celles publiées par la National Fire Protection Association (NFPA) et l'American Society for Heating, Refrigeration and Air Conditioning Engineers (ASHRAE), ainsi que les autorités locales compétentes en matière de code.

c) Lorsque vous découpez ou percez un mur ou un plafond, n'endommagez pas le câblage électrique et les autres services cachés.

d) Les ventilateurs aspirants doivent toujours être ventilés vers l'extérieur.

 **ATTENTION:** Afin de réduire les risques d'incendie et d'évacuer correctement l'air, veillez à évacuer l'air à l'extérieur - ne pas évacuer l'air à l'intérieur des murs ou des plafonds, dans les greniers ou les vides sanitaires, ou dans les garages.

 **AVERTISSEMENT:** Pour réduire le risque d'incendie ou de choc électrique, n'utilisez pas ce ventilateur avec un dispositif de contrôle de vitesse à semi-conducteurs.

 **AVERTISSEMENT:** POUR RÉDUIRE LE RISQUE D'INCENDIE, N'UTILISEZ QUE DES CONDUITS MÉTALLIQUES.

REMARQUE: Avant toute opération de nettoyage ou d'entretien, débrancher la hotte en retirant la fiche ou en déconnectant l'alimentation électrique.

 **AVERTISSEMENT:** POUR RÉDUIRE LE RISQUE D'INCENDIE DE GRAISSE SUR LA CUISINIÈRE:


a) Ne laissez jamais les appareils de surface sans surveillance à des réglages élevés. Les ébullitions provoquent des fumées et des débordements graisseux qui peuvent s'enflammer. Faites chauffer les huiles lentement à feu doux ou moyen.

b) Allumez toujours la hotte lorsque vous cuisinez à feu vif. Ne faites pas flamber d'aliments sous la hotte.

c) Nettoyez fréquemment les ventilateurs AU MOINS TOUS LES 2 MOIS. La graisse ne doit pas s'accumuler sur le ventilateur ou le filtre.

d) Utilisez des casseroles de taille appropriée. Utilisez toujours des ustensiles de cuisine adaptés à la taille de l'élément de surface.

REMARQUE: Portez toujours des gants de travail pour toutes les opérations d'installation et d'entretien.

 **AVERTISSEMENT:** Pour réduire les risques d'incendie et de choc électrique, n'installez cette hotte qu'avec des modèles de soufflerie à distance d'une puissance maximale (courant et/ou chevaux) ou des souffleries intégrales fabriquées par (nom du fabricant), modèle(s) (nom de l'appareil).

REMARQUE: a Puissance maximale recommandée pour la soufflerie à distance.

-Consultez le tableau des valeurs nominales dans cette section du manuel-

 **AVERTISSEMENT:** POUR RÉDUIRE LE RISQUE DE BLESSURES AUX PERSONNES EN CAS D'INCENDIE DE GRAISSE DE POËLE, RESPECTEZ LES DISPOSITIONS SUIVANTES: ^a

a) ÉTEIGNEZ LES FLAMMES à l'aide d'un couvercle hermétique, d'une plaque à biscuits ou d'un plateau métallique, puis éteignez le brûleur. SOYEZ PRUDENT POUR ÉVITER LES BRÛLURES. Si les flammes ne s'éteignent pas immédiatement, ÉVACUEZ ET APPELEZ LES POMPIERS.

b) Ne ramassez jamais une casserole en feu-Vous pourriez vous brûler.

c) N'UTILISEZ PAS D'EAU, y compris des torchons ou des serviettes mouillés - une violente explosion de vapeur s'ensuivrait.

d) Utilisez un extincteur UNIQUEMENT si:

- Vous savez que vous avez un extincteur de classe ABC et vous savez déjà comment le faire fonctionner.
- Le feu est petit et contenu dans la zone où il s'est déclaré. Les pompiers sont appelés.
- Vous pouvez combattre le feu en tournant le dos à une sortie.

^aSelon les "Conseils de sécurité en cas d'incendie dans la cuisine" publiés par la NFPA.

REMARQUE: L'appareil n'est pas destiné à une utilisation par des enfants ou des personnes à capacités physiques, sensorielles ou mentales réduites et sans expérience et connaissance à moins qu'ils ne soient sous la supervision ou formés sur l'utilisation de l'appareil par une personne responsable de leur sécurité.

REMARQUE: Les enfants doivent être surveillés afin qu'ils ne jouent pas avec l'appareil.

⚠ Avis de Sécurité Important

⚠ AVERTISSEMENT

Pour réduire les risques d'incendie et de choc électrique, installez cette hotte qu'avec les modèles de moteurs internes, en ligne et externes d'une portée maximale de 7.6 A/ 913 W, ou de moteurs internes fabriqués par Elica (pour les modèles de référence, voir le tableau des accessoires facultatifs).

MODÈLE DE HOTTE	Moteur interne (inclus avec le hotte)		Kit moteur In Line 1200 KIT0154387		Kit moteur externe 1200 KIT0153054	
	A	W	A	W	A	W
ETRI46SS	7.6	913	7.6	913	7.6	913

Exigences Électriques et D'Installation

IMPORTANT

Respectez tous les codes et les ordonnances en vigueur.

Le client a la responsabilité de :

- Contacter un électricien-installateur.
- Vérifier que l'installation électrique est adéquate et conforme avec le Code national de l'électricité, ANSI/ NFPA 70 (la plus récente édition*), ou les normes C22.1-94, Code canadien de l'électricité, Partie 1 et C22.2 No.0-M91 (La plus récente édition**) de la CSA, ainsi que tous les codes et les ordonnances de votre région.
- Si le code le permet et que vous utilisez un fil de mise à la terre distinct, il est recommandé de faire vérifier le chemin du fil par un électricien.
- Ne pas mettre l'appareil à la terre sur une conduite de gaz.
- Consultez un électricien qualifié si vous n'êtes pas certain que la hotte est mise à la terre correctement.
- N'installez pas un fusible dans le circuit neutre ou le circuit de mise à la terre.

IMPORTANT

- Conservez ces instructions afin de pouvoir les remettre à l'inspecteur-électricien.
- La hotte doit être câblée uniquement à l'aide de fils de cuivre.
- Il faut raccorder la hotte directement à une boîte à fusible ou à un disjoncteur par l'entremise d'une canalisation électrique en métal.
- Le calibre de fil doit être conforme aux exigences du Code national de l'électricité, ANSI/NFPA 70 (La plus récente édition*), ou les normes C22.1-94, Code canadien de l'électricité, Partie 1 et C22.2 0-M91 (La plus récente édition**) de la CSA, ainsi que tous les codes et les ordonnances de votre région.
- Si la hotte est munie d'une fiche électrique, la raccorder à un réceptacle conforme à la réglementation en vigueur et placé en position accessible. Si la hotte n'est pas équipée d'une fiche électrique (raccordement direct au réseau électrique) ou si la fiche ne sera pas en position accessible après l'installation, placez un interrupteur bipolaire homologué en position accessible qui assure une déconnexion totale dans des conditions de surtension de catégorie III, conformément aux règles de câblage locales.

- Il faut prévoir un connecteur de canalisation approuvé par l'UL ou la CSA à chaque extrémité de la canalisation d'alimentation (À la hotte et à la boîte de jonction).

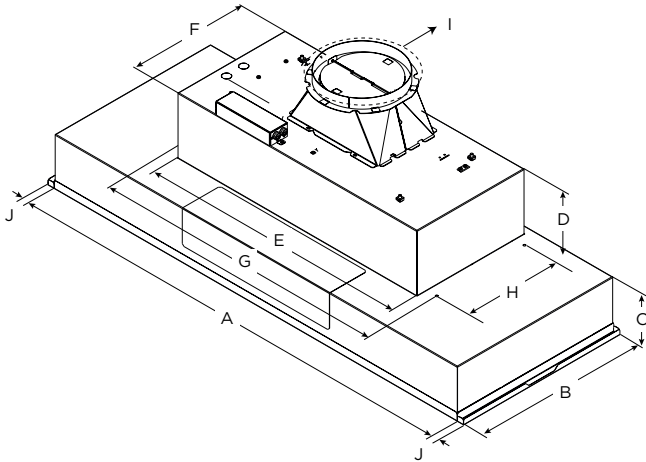
AVANT D'INSTALLER LA HOTTE

- 1 Pour assurer la ventilation la plus efficace possible, installez la conduite en ligne droite ou avec le moins de coudes possibles.
ATTENTION : La sortie de la conduite de ventilation doit donner sur l'extérieur.
- 2 Deux personnes sont nécessaires pour effectuer l'installation.
- 3 La quincaillerie fournie permet de fixer la hotte à la plupart des murs et des plafonds; consultez un installateur qualifié pour vous assurer que la quincaillerie fournie est adaptée à votre type de mur ou d'armoire.
- 4 N'utilisez pas de conduit flexible.
- 5 Dans le cas des endroits sujets aux TEMPÉRATURES FROIDES, il faut installer un clapet de contre-tirage supplémentaire afin de minimiser le retour d'air froid et un isolant thermique non métallique afin de minimiser la conduction de la température extérieure dans le conduit. Il faut placer le clapet du côté de l'air froid de l'isolant thermique.
L'isolant doit être placé le plus près possible de l'endroit où le conduit entre dans la partie chauffée de la maison.
- 6 Air d'appoint : Le code du bâtiment de votre région peut exiger l'utilisation d'un système d'air d'appoint si vous utilisez un système de ventilation à conduit dont le mouvement d'air dépasse un certain nombre de CFM. Le nombre de pi³/min varie d'une région à l'autre. Consultez un professionnel de CVC pour connaître les exigences précises de votre région.

Vous pouvez obtenir un exemplaire des normes indiquées en vous adressant à :
* La National Fire Protection Association, Batterymarch Park Quincy, Massachusetts, 02269

** La CSA International, 8501 East Pleasant Valley Road, Cleveland, Ohio, 44131-5575

Dimensions du Produit



	Model
	ETR146SS
A	46½" (118 cm)
B	18" (45.7 cm)
C	5⅞" (13.8 cm)
D	6½" (16.4 cm)
E	27⅞" (70 cm)
F	12⅞" (31.6 cm)
G	29⅓" (75.7 cm)
H	10⅞" (25.6 cm)
I	8" (20.3 cm)
J	¾" (1.9 cm)

Liste des Pièces

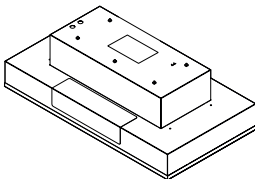


Retirer les pièces de leur emballage.

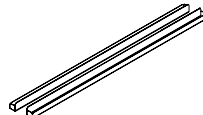
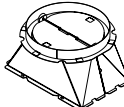
⚠ ATTENTION

Enlever délicatement le carton, porter des gants pour se protéger des bords coupants.

⚠ AVERTISSEMENT

Enlever le film de protection recouvrant le produit avant de commencer l'opération.

Pièces Fournies	Quantité
 <p>Assemblage hotte avec lampes DEL et moteur</p>	1
 <p>5x45 mm</p>	4
 <p>4x8 mm</p>	10

Pièces Fournies	Quantité
 <p>Entretoise de la hotte</p>	2
 <p>Raccord de conduit 8"</p>	1

Accessoires optionnel

Accessoire	# Pièce
Kit sans ventilateur en ligne	KIT0179549
Sans ventilateur Kit externe	KIT0179547
Kit filtre à charbon	KIT0192765
Kit de recirculation	KIT0192763

Outils nécessaires

- Niveau
- Perceuse
- Foret de 1/4" (3 cm)
- Foret de 1/8" (3 mm)
- Crayon
- Pince à dénuder ou couteau utilitaire
- Mètre-ruban ou règle
- Pince
- Pistolet à calfeutrage et composé de calfeutrage résistant aux intempéries
- Brides de conduit
- Scie sauteuse ou scie à guichet
- Tournevis à lame plate
- Cisaille de ferblantier
- Tournevis Phillips

Pièces nécessaires

- Câble d'alimentation domestique
- Serre-câble de 1/2" (12,7 mm) (homologation UL ou CSA)
- 3 connecteurs de fils homologués UL
- Bouche de décharge murale ou à travers le toit correspondant au système d'évacuation
- Système de conduit d'évacuation métallique

Méthodes d'évacuation

Suivez à la lettre les directives présentées dans ce manuel. Le fabricant refuse toute responsabilité en ce qui a trait à tout préjudice, dommage ou incendie causé par la non observation des directives contenues dans le présent manuel.

Préparation

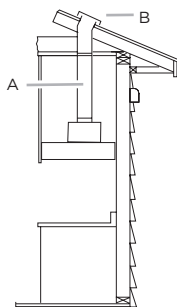
Ne coupez pas une solive ou un montant à moins qu'il soit absolument nécessaire de le faire. Si vous devez couper une solive ou un montant, vous devez construire un cadre de soutien. La quincaillerie fournie permet de fixer la hotte à la plupart des murs et des plafonds.

Vous devez cependant demander à un technicien qualifié de vérifier la solidité des matériaux selon le type de mur ou de plafond.

Avant de couper, assurez-vous qu'il y a un dégagement suffisant dans le plafond ou le mur pour passer la conduite de sortie.

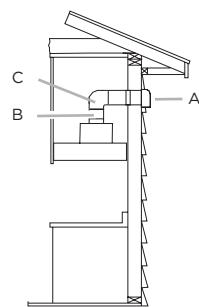
La hotte est dotée d'une transition afin d'évacuer les vapeurs à l'extérieur.

Décharge à travers le toit



A. Conduit circulaire de
B. Bouche de décharge sur toit

Évacuation par le mur



C. Bouche de décharge murale
D. Conduit circulaire
E. Coude de 90°

⚠ ATTENTION

Pour l'installation des cuisiniers à gaz: Installer cette hotte de sorte que le rebord inférieur est à 30" (76,2 cm) au-dessus de la surface de cuisson.

Pour l'installation des cuisiniers électriques / induction: Installer cette hotte de sorte que le rebord inférieur est pas moins de 24" (61 cm) sur la surface de cuisson.

Il est recommandé d'installer cette hotte plus de 36" (91,4 cm) au-dessus de la surface de cuisson. Par pouce (2,54 cm) supérieure à 36 (91,4 cm) diminuera l'efficacité de la capture de la fumée et de l'humidité, et la performance de ventilation.

S'IL VOUS PLAÎT LIRE L'INSTALLATION POUR UNE INSTALLATION SPÉCIFIQUE. Avant de choisir la hotte, vérifiez la hauteur du plafond et la hauteur maximale de la hotte.

Préparer l'emplacement

Installation de l'ensemble de ventilateur déporté en option

REMARQUE: La hotte peut fonctionner avec un moteur de ventilateur intégré ou externe (déporté). Un ensemble de ventilateur déporté en option (à acheter séparément) permet d'installer le moteur du ventilateur de la hotte ailleurs qu'à l'intérieur de la hotte.

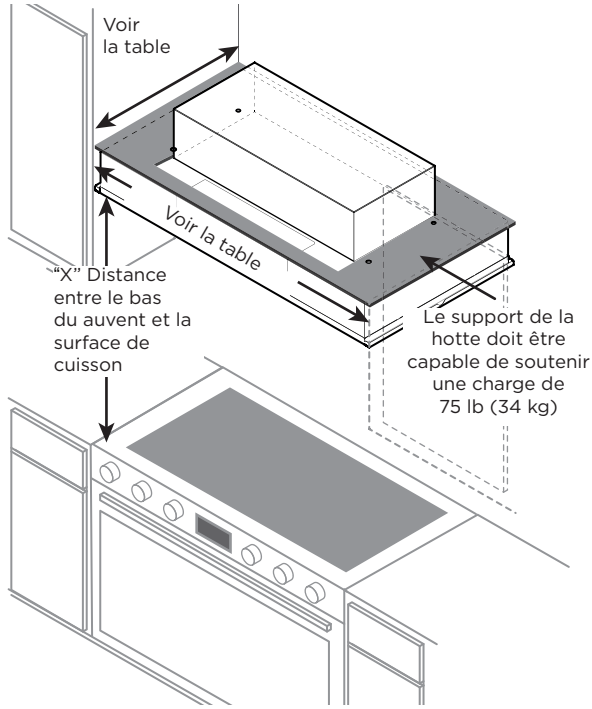
MISE EN GARDE: Pour réduire les risques d'incendie et d'électrocution, installez cette hotte uniquement avec le In-Line Kit. Voir la section "accessoires en option" pour commander. Pour l'installation, voir les instructions d'installation du kit intelligent en ligne. Appelez le service après-vente.

- Déconnecter la source de courant électrique.
- Déterminer la méthode d'évacuation à utiliser: par le toit ou le mur.
- Sélectionner une surface plane pour l'assemblage de la hotte. Placer le matériau de protection sur cette surface.
- Il est recommandé d'installer le conduit de décharge avant de procéder à l'installation de la hotte.
- Avant d'exécuter les découpages, vérifier la disponibilité d'un dégagement suffisant dans le plafond ou le mur pour le conduit d'évacuation.
- La caisse de la hotte doit être installée à 24" (61 cm) min. des surfaces de cuisson électriques, 30" (76,2 cm) min. des surfaces de cuisson au gaz, et à un maximum suggéré de 36" (91,4 cm) au-dessus de la surface de cuisson.
- Vérifier que les pièces d'installation ont été retirées du carton d'expédition.
- À l'aide de deux personnes ou plus, soulever la caisse de la hotte et la poser sur la surface couverte.
- Ôter les filtres.
- Convient à une utilisation en milieu humide, lorsqu'il est installé dans un circuit de dérivation protégé par un disjoncteur de fuite à la terre.

Dimensions du placard

Cette hotte a la flexibilité de pour être installé de deux façons différentes, en fonction de la taille de la largeur ou superficié entre l'armoire de gauche et de droite. Avant de commencer, vous avez besoin de savoir qui est la zone de ce domaine et d'envisager les mesures dans le tableau ci-dessous.

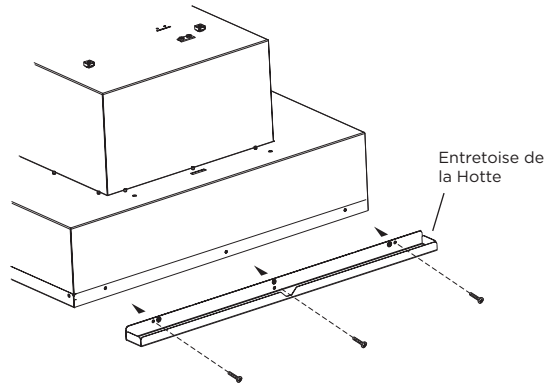
Hotte Modèle	Hotte Largeur sans entretoise	Hotte Largeur avec entretoise	Profondeur de la Hotte
ETR146SS	46½" (117.8 cm)	48" (121.92 cm)	18" (45.7 cm)



IMPORTANT:
Valeur minimale de la distance "X" : 24" (61 cm) à partir des surfaces de cuisson électriques.
Valeur minimale de la distance "X" : 30" (76,2 cm) à partir des surfaces de cuisson au gaz.

Installation del entretoise de la hotte

- Vous pouvez étendre 1.5" (3.8 cm) largeur de la hotte (¾" (1.9 cm) côté), avec l'installation des entretoises en acier inoxydable inclus dans sa hotte.
- Décompressez l'entretoise et retirer le protecteur.
- Installez chaque entretoise gauche et droite
- Fixez les entretoises à l'aide des 4 vis du 5 x 45 mm.



- Si le dessin de l'armoire réduit la largeur de l'ouverture (46,5") pour installer la hotte, les entretoises ne doivent pas être utilisées.
- Si vous avez une ouverture complète (par exemple: 48") pour installer votre hotte, vous devez utiliser les entretoises.

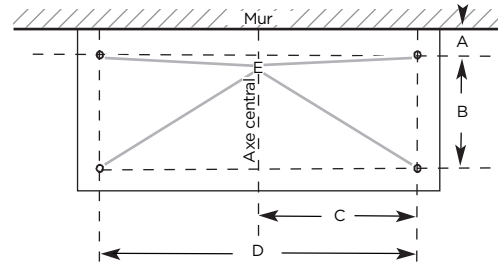
Installation de la caisse de la hotte

La hotte est installée à l'armoire à l'aide de 4 vis de fixation et les rondelles.

Le support de la hotte doit être capable de soutenir une charge de 75 lb (34 kg).

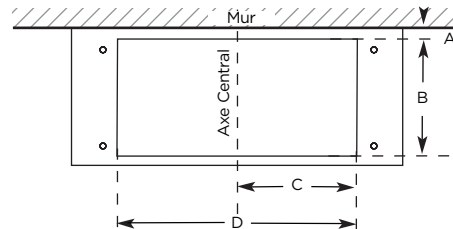
Préparation du support de la caisse de la hotte

- Marquer sur le support de la hotte l'emplacement des quatre trous de ⅛" (3 mm) tel qu'illustré.
- Percer les 4 trous à l'aide d'un foret de ⅛" (3 mm).



DIMENSIONS TROU DE MONTAGE					
Modèle	DIM A	DIM B	DIM C	DIM D	DIM E
ETR146SS	6" (15.5 cm)	10⅞" (25.6 cm)	14⅞" (38 cm)	29⅜" (75.8 cm)	Ø ⅛" (3mm)

- Pour le logement de la caisse de la hotte, marquer l'emplacement du trou pour le dégagement de forme rectangulaire dans l'ouverture découpée tel qu'indiqué.
- À l'aide d'une scie sauteuse ou d'une scie à guichet, découper le trou rectangulaire de dégagement pour le logement de la caisse de la hotte.



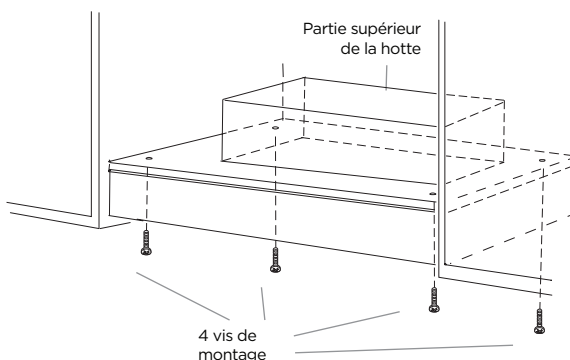
DIMENSIONS DEL CAISSE DE LA HOTTE				
Modèle	DIM A	DIM B	DIM C	DIM D
ETRI146SS	1 ¹ / ₁₆ " (1.7 cm)	15 ⁵ / ₁₆ " (38.9 cm)	14 ¹ / ₂ " (36.8 cm)	28 ⁵ / ₁₆ " (73.5 cm)

Installation de la caisse de la hotte

- Déterminer et marquer sur le mur ou le plafond toutes les lignes de découpage nécessaires pour le passage du circuit d'évacuation. Installer le système d'évacuation avant la hotte. Voir la section "Exigences concernant l'évacuation".
- Déterminer l'emplacement de passage du câble d'alimentation à travers le mur.
- Percer un trou de 1¹/₄" (3,2 cm) à cet endroit.
- Tirer suffisamment de câble d'alimentation à travers le mur pour permettre un raccordement facile jusqu'à la boîte de connexion.
- Installer le raccord de transition avec volet de réglage au sommet de la caisse de la hotte à l'aide quatre vis de 4,2x8mm.
- Retirer le couvercle du boîtier de connexion et le mettre de côté.
- Ôter l'opercule arrachable du sommet de la hotte et installer un serre-câble de 1/2" (1,3 cm) (homologation UL ou CSA).
- Placer la hotte près de sa position de montage et faire passer le câble d'alimentation à travers le serre-câble dans le boîtier de connexion (suffisamment pour établir la connexion).
- Serrer les vis du serre-câble.
- A la aide de 2 personnes ou plus, soulevez l'insert de la hotte.
- Fixer l'insert de la hotte à l'aide de quatre vis de 5 x 45 mm hotte et serrez solidement.

⚠ AVERTISSEMENT

UTILISER DEUX OU PLUS DE PERSONNES POUR DÉPLACER ET INSTALLER LA HOTTE DE LA CUISINIÈRE. LE NON-RESPECT DE CETTE INSTRUCTION PEUT CAUSER 12. UNE BLESSURE AU DOS OU D'AUTRE BLESSURE.



Connexion Électrique

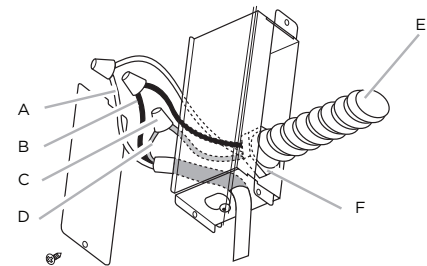
⚠ AVERTISSEMENT

RISQUE DE CHOC ÉLECTRIQUE.

⚠ AVERTISSEMENT

DÉCONNECTER LA SOURCE DE COURANT ÉLECTRIQUE AVANT L'ENTRETIEN. REPLACER PIÈCES ET PANNEAUX AVANT DE FAIRE LA REMISE EN MARCHÉ. LE NON-RESPECT DE CES INSTRUCTIONS PEUT CAUSER UN DÉCÈS OU UN CHOC ÉLECTRIQUE.

- Ôter l'opercule arrachable du boîtier de connexion et installer un serre-câble de 1/2" (homologation UL ou CSA).



A. Conducteurs blancs
B. Conducteurs noirs
C. Connecteurs de fils (homologation UL)

D. Conducteurs verts (ou nus) ou vert-jaune de liaison à la terre
E. Câble d'alimentation électrique du domicile
F. Serre-câble (homologation UL ou CSA)

- Ôter l'opercule arrachable du boîtier de connexion et installer un serre-câble de 1/2" (homologation UL ou CSA).

⚠ AVERTISSEMENT

RISQUE DE CHOC ÉLECTRIQUE.

⚠ AVERTISSEMENT

DÉCONNECTER LA SOURCE DE COURANT ÉLECTRIQUE AVANT L'ENTRETIEN. REPLACER PIÈCES ET PANNEAUX AVANT DE FAIRE LA REMISE EN MARCHÉ. LE NON-RESPECT DE CES INSTRUCTIONS PEUT CAUSER UN DÉCÈS OU UN CHOC ÉLECTRIQUE.

- À l'aide des connecteurs de fils (homologation UL), connecter le conducteur de liaison à la terre (vert ou nu) du câble d'alimentation du domicile au conducteur vert-jaune de liaison à la terre (D) dans le boîtier de connexion.
- Installer le couvercle du boîtier de connexion.
- Reconnecter la source de courant électrique.

Achever l'installation

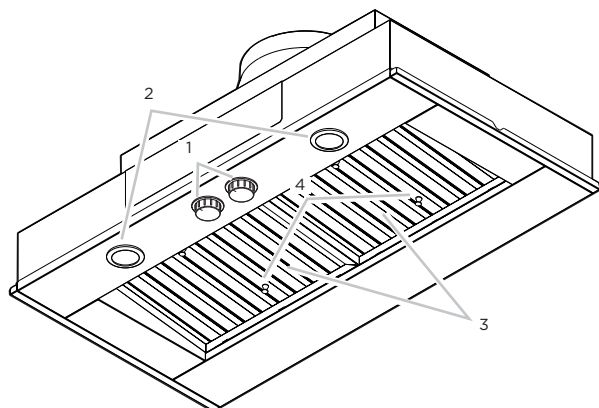
Mettez en place le filtre à graisse. Vérifier le fonctionnement de la hotte.

Si la hotte ne fonctionne pas:

- Vérifiez que le disjoncteur ne s'est pas déclenché ou que le fusible n'est pas grillé.
- Débranchez l'alimentation. Vérifiez que les raccords électriques ont été effectués correctement.

Pour utiliser votre nouvelle hotte de façon optimale, lisez la section intitulée "Entretien". Gardez vos instructions d'installations et d'utilisation près de la hotte pour pouvoir vous y référer facilement.

Description de la hotte



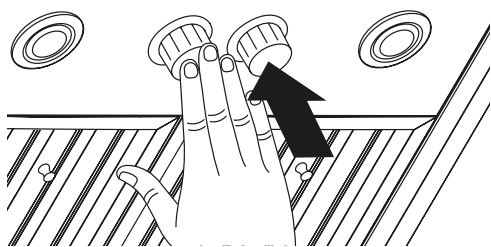
1. Commandes du ventilateur et lampes
2. Lampes DEL
3. Poignée du filtre à graisse
4. Filtre à graisse

Commandes

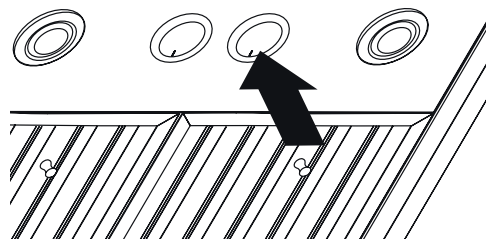
La hotte de cuisinière est conçue pour extraire fumée, vapeurs de cuisson et odeurs de la zone de la table de cuisson. Pour obtenir les meilleurs résultats, mettre le ventilateur de la hotte en marche avant d'entreprendre une cuisson, et laisser le ventilateur fonctionner pendant plusieurs minutes après l'achèvement d'une cuisson pour pouvoir évacuer de la cuisine toute trace d'odeur de cuisson, vapeur ou fumée. Les commandes de la hotte sont situées sur le côté central de la hotte.

Cache les boutons

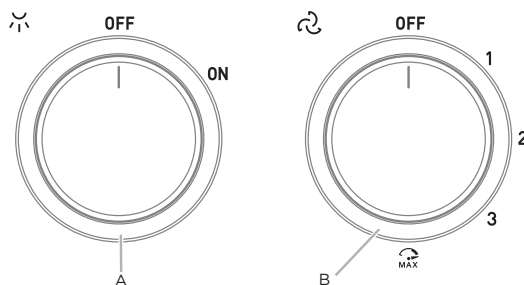
- Vous pouvez masquer les boutons de contrôle en les poussant vers le bas.



- Appuyez à nouveau pour afficher à nouveau les boutons de commande et activer les fonctions des lumières et du ventilateur.



Commandes



- A. Commutateur de lampe
B. Commutateur de ventilateur

Pour faire fonctionner les lampes

1. Tournez le commutateur d'éclairage sur la position "ON" pour allumer les lumières.
2. Placer le commutateur d'éclairage à la position "OFF" (arrêt) pour éteindre les lumières.

Utilisation du ventilateur

1. Tournez le bouton du ventilateur à "1" pour allumer la hotte.
2. Tournez le commutateur du ventilateur à la position de vitesse désiré.
3. Tournez le commutateur du ventilateur à la position "MAX" pour mettre la hotte Haut.
4. Tournez le commutateur du ventilateur à la position "OFF" pour éteindre le ventilateur de la hotte.

Activation automatique du ventilateur

La hotte de cuisine est équipée d'un capteur qui met le ventilateur automatiquement en marche lorsqu'un niveau de chaleur excessif est détecté dans la zone de commande. Lorsque le commutateur du ventilateur est à la position "Off", ce capteur met en marche le ventilateur à la vitesse élevée lorsque c'est nécessaire. Lorsque le niveau de chaleur diminue, le ventilateur s'éteint. Lorsque l'interrupteur du ventilateur est à la position "On", le capteur de chaleur est inactif et la hotte fonctionne normalement.

Nettoyage

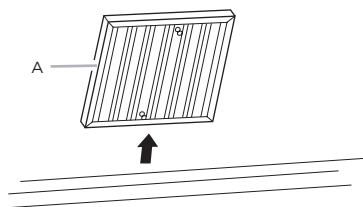
Surfaces externes:

Afin d'éviter d'endommager la surface externe, ne pas utiliser de tampons en laine d'acier ou de tampons à récurer savonneux. Ne pas utiliser de nettoyants à base de chlore. Frotter dans la direction des lignes du grain pour ne pas détériorer la surface. Toujours essuyer pour éviter de laisser des marques d'eau.

- Nettoyant et poli pour acier inoxydable.
- Détergent liquide doux et eau.
- Frotter avec un chiffon doux humide ou une éponge non abrasive, puis rincer avec de l'eau propre et essuyer.

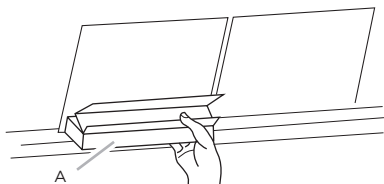
Filtres métalliques et plateaux d'égouttement:

1. Utiliser les 2 mains pour retirer les filtres.
2. Saisir les poignées du filtre, tirer vers l'avant de la hotte et tirer sur la poignée arrière pour retirer le filtre. Répéter pour chaque filtre.



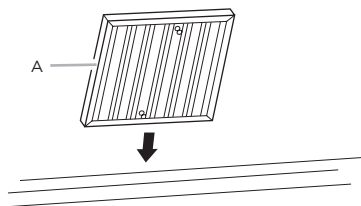
A. Filtre à graisse

3. Retirer le plateau d'égouttement à graisse.



A. Plateau d'égouttement

4. Laver les filtre métalliques et les plateaux à graisse selon le besoin au lave-vaisselle ou avec une solution de détergent chaude.
5. Réinstaller le plateau d'égouttement à graisse.
6. Réinstaller les filtres: saisir les poignées du filtre et placer le rebord avant du filtre dans la hotte.
7. Pour bien fixer le filtre, pousser vers le haut sur la poignée arrière et installer l'arrière du filtre dans la plateau d'égouttement. Répéter pour chaque filtre.



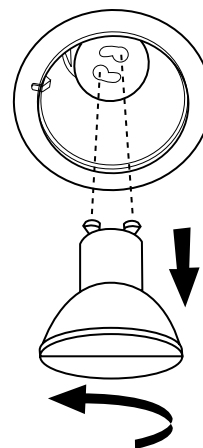
A. Filtre à graisse

Remplacement de la lampe à DEL

Interrompre l'alimentation de la hotte; attendre le refroidissement de la lampe à DEL. Pour éviter d'endommager ou de réduire la longévité de l'ampoule neuve, ne pas toucher l'ampoule avec les doigts nus. Remplacer l'ampoule en la manipulant avec un mouchoir de papier ou des gants de coton.

Si les nouvelles lampes ne fonctionnent pas, vérifier que chaque lampe est correctement insérée dans sa douille avant de demander l'intervention d'un réparateur.

- 1 Déconnecter la source de courant électrique.
- 2 Pousser la plaque de verre vers le haut et la tourner dans le sens antihoraire.
- 3 Retirer l'ampoule et la remplacer par une ampoule DEL de 120 volts, 6,5 watt maximum avec culot GU10. La tourner dans le sens horaire pour l'emboîter.
- 4 Répéter les étapes 2 à 3 pour les autres ampoules, si nécessaire.
- 5 Reconnecter la source de courant électrique.



ELICA North America

GARANTIE DE DEUX ANS

Enregistrez votre produit sur

elica.com

et obtenez une 3^e année de garantie, qui couvre toutes les pièces en plus de la main-d'œuvre.

POUR OBTENIR UN DEPANNAGE SOUS GARANTIE

Le propriétaire doit présenter une preuve de la date d'achat. Garder une copie de votre preuve d'achat datée (ticket de caisse) de façon à pouvoir bénéficier du service après-vente sous garantie.

GARANTIE PIECES DE RECHANGE ET MAIN D'OEUVRE

Pendant une période de deux (2) ans à partir de la date d'achat, Elica s'engage à fournir gratuitement les pièces de rechange ou les composants autres que les recharges ayant des défauts de fabrication. Durant cette garantie de deux (2) ans, Elica fournira également gratuitement, toute la main d'oeuvre et le service à domicile pour remplacer d'éventuelles pièces défectueuses.

CE QUE LA GARANTIE NE COUVRE PAS

- Dégât ou panne du produit causé par un accident ou un cas de force majeure tels que inondation, incendie ou tremblement de terre.
- Dégât ou panne du produit causé par modification du produit ou utilisation de pièces pas d'origine.
- Dégât ou panne du produit causé lors de la livraison, de la manipulation ou de l'installation.
- Dégât ou panne du produit causé par une mauvaise utilisation.
- Dégât ou panne du produit causé par un remplacement des fusibles ou une remise en fonction des disjoncteurs par le propriétaire.
- Dégât ou panne du produit causé par une utilisation du produit pour raison commerciale.
- Déplacement à domicile pour explication d'utilisation ou d'entretien.
- Ampoules, filtres métalliques ou au charbon et toute autre pièce consommable.
- Usure normale.
- Usure due à une mauvaise utilisation du propriétaire, un entretien incorrect, une utilisation de substances nettoyantes corrosives ou abrasives et produits de nettoyage pour four.
- Lorsque le produit n'a pas été utilisé conformément aux instructions d'utilisation qui l'accompagnent.

QUI EST COUVERT

Cette garantie s'étend à l'acheteur original de produits achetés pour un usage domestique habituel en Amérique du Nord (Y compris Etats Unis, Guam, Porto Rico, les Iles virgins Américaines & le Canada).

Cette garantie n'est pas transférable et vaut uniquement pour l'acheteur original et ne s'étend pas aux propriétaires successifs du produit. Cette garantie vaut expressément en lieu et place de toute autre garantie, expresse ou sous-entendue, mais ne limite pas toute autre garantie sous-entendue de marchandage ou adaptation dans un but particulier et toute autre obligation de la part de Elica North America, étant entendu, cependant, que si la réclamation pour garanties sous-entendues n'est pas applicable aux yeux de la loi en vigueur, la durée de toute garantie sous-entendue émanant de la loi doit être limitée à deux (2) ans à partir de la date d'achat du produit ou à une période plus longue selon ce que dit la loi en vigueur.

Cette garantie ne couvre pas tout dégât particulier, accidentel et/ou consécutif, ni les pertes et profits, à charge du propriétaire, des ses clients et/ou des utilisateurs Des produits.

QUI CONTACTER

Pour obtenir un Service Après-vente durant la Garantie ou pour toute autre Question liée au Service Après-vente: Appeler:

- **USA & CANADA - Provinces de l'Ouest**
SERVICE POWER
888 732 8018
elica@servicepower.com
- **CANADA - Province de l'Ontario**
SERVICE POWER
888 732 8018
elica@servicepower.com
- **CANADA - Québec et provinces de l'Atlantique**
ELECTRO-EXPERTS
1 888 915 8888
repartition@electro-experts.com

Pour garantir un service après-vente rapide, quand vous téléphonerez nous vous prions de bien vouloir donner les informations suivantes, qui sont indiquées sur la plaque signalétique qui se trouve à l'intérieur de la hotte: **modèle, 12 NC et date d'achat sur votre facture originale**. Pour accéder à la plaque signalétique, il vous suffit d'enlever les filtres graisse.

12NC: _____

Modèle: _____

N° de série: _____

Date d'achat sur votre facture originale: _____

Contenido

Aviso de seguridad importante.....	25
Requisitos eléctricos y de instalación.....	27
Antes de instalar la campana.....	27
Dimensiones del producto	27
Lista de materiales.....	28
Piezas suministradas	28
Piezas no suministradas	28
Opciones de ventilación.....	29
Instalación.....	31
Conexión eléctrica.....	32
Complete la instalación.....	32
Descripción de la campana.....	32
Control.....	33
Mantenimiento.....	34
Garantía	35

**APROBADO PARA APARATOS DE USO DOMÉSTICO
SÓLO PARA USO DOMÉSTICO
LEA Y GUARDE ESTAS INSTRUCCIONES**

**ANTES DE CONTINUAR, LEA LAS INSTRUCCIONES POR COMPLETO.
LA INSTALACIÓN DEBE CUMPLIR TODA LA NORMATIVA LOCAL.**

IMPORTANTE: Guarde estas instrucciones para su uso por parte del inspector de electricidad local.

INSTALADOR: Entregue al propietario estas instrucciones junto con la unidad.

PROPIETARIO: Conserve estas instrucciones para futuras consultas.

Advertencia de seguridad: Antes de realizar el cableado de este aparato, desactive el circuito de energía eléctrica en el panel de servicio y desbloquee el panel.

Requisito: Circuito auxiliar de 120 V~, 60 Hz. 15 ó 20 A.

Campana Purificadora **ETR146SS**

Tensión Asiganda	120 V-
Frecuencia	60 Hz
Potencia	913 W
Corriente	7.6 A
Potencia Máxima de las lámparas	6.5 W

Contenido: 1 Pieza

Hecho en México

Fabricado por: ELICAMEX S.A. de C.V.

Dirección: Av. La Noria (Prolongación) #102

Col. Ampliación Parque Industrial Querétaro,

Santa Rosa Jáuregui, C.P. 76215 Querétaro.

R.F.C. ELI060102RK8

Tel. 81 8625 5000 - Cel. 55 3955 8770



Aviso de Seguridad Importante

PRECAUCIÓN

SÓLO PARA USO DE VENTILACIÓN GENERAL. NO UTILIZAR PARA EXPULSAR VAPORES O MATERIALES PELIGROSOS O EXPLOSIVOS.

DESTINADO A PATIO CUBIERTO O ZONA DE TERRAZA

APTO PARA USO EN LUGARES HÚMEDOS, CUANDO SE INSTALA EN UN CIRCUITO DERIVADO PROTEGIDO POR GFCI.

ADVERTENCIA: PARA REDUCIR EL RIESGO DE INCENDIO, DESCARGA ELÉCTRICA O LESIONES A LAS PERSONAS, OBSERVE LO SIGUIENTE:

- a) Utilice esta unidad sólo de la manera indicada por el fabricante. Si tiene alguna duda, póngase en contacto con el fabricante.
- b) Antes de reparar o limpiar la unidad, desconecte la alimentación en el panel de servicio y bloquee los medios de desconexión del servicio para evitar que la alimentación se conecte accidentalmente. Si no es posible bloquear los medios de desconexión del servicio, fije firmemente un dispositivo de advertencia visible, como una etiqueta, al panel de servicio.

ADVERTENCIA: PARA REDUCIR EL RIESGO DE INCENDIO, DESCARGA ELÉCTRICA O LESIONES PERSONALES, OBSERVE LO SIGUIENTE:

- a) Los trabajos de instalación y el cableado eléctrico deben ser realizados por personal(es) cualificado(s) de acuerdo con todos los códigos y normas aplicables, incluida la construcción resistente al fuego.
- b) Se necesita aire suficiente para que la combustión y la evacuación de gases a través del conducto de humos (chimenea) de los equipos de combustión de combustible sean correctas, a fin de evitar corrientes de retorno. Siga las directrices del fabricante del equipo de calefacción y las normas de seguridad, como las publicadas por la National Fire Protection Association (NFPA) y la American Society for Heating, Refrigeration and Air Conditioning Engineers (ASHRAE), y las autoridades locales competentes.
- c) Al cortar o perforar la pared o el techo, no dañe el cableado eléctrico ni otros servicios ocultos.
- d) Los ventiladores con conductos deben ventilarse siempre al exterior. **NOTA:** Sólo para versión Aspirante.

PRECAUCIÓN: Para reducir el riesgo de incendio y evacuar correctamente el aire, asegúrese de canalizar el aire hacia el exterior; no ventile el aire de salida en espacios dentro de paredes o techos, áticos o en espacios de arrastre, o garajes.

ADVERTENCIA: Para reducir el riesgo de incendio o descarga eléctrica, no utilice este ventilador con ningún dispositivo de control de velocidad de estado sólido.

ADVERTENCIA: PARA REDUCIR EL RIESGO DE INCENDIO, UTILICE ÚNICAMENTE CONDUCTOS METÁLICOS.

NOTA: Antes de cualquier operación de limpieza o mantenimiento, desconecte la campana de la red eléctrica retirando el enchufe o desconectando la alimentación eléctrica.

ADVERTENCIA: PARA REDUCIR EL RIESGO DE INCENDIO POR GRASA EN LA ENCIMERA:

- a) No deje nunca desatendidas las unidades de superficie a fuego alto. Los hervores provocan humos y salpicaduras de grasa que pueden inflamarse. Caliente los aceites lentamente a temperatura baja o media. valores de fuego altos. La cocción puede causar humo o reboses de grasa que pueden prender fuego. Caliente el aceite a fuego lento o medio.
- b) Encienda siempre la campana cuando cocine a fuego alto. No flamear alimentos bajo la campana de cocina.
- c) Limpie los ventiladores con frecuencia (al menos cada 2 meses). No permita que se acumule grasa en el ventilador o en el filtro.
- d) Utilice ollas de tamaño adecuado. Utilice siempre utensilios de cocina apropiados para el tamaño del elemento de superficie.

NOTA: Utilice siempre guantes de trabajo para todas las operaciones de instalación y mantenimiento.

ADVERTENCIA: Para reducir el riesgo de incendio y descarga eléctrica, instale esta campana sólo con modelos de soplador remoto con la clasificación máxima (corriente y/o caballos de fuerza) o sopladores integrales fabricados por (nombre del fabricante), modelo(s) (nombre del aparato).

NOTA: La clasificación máxima recomendada del soplador remoto.
-Consulte la tabla de valores nominales en esta sección del manual-

ADVERTENCIA: PARA REDUCIR EL RIESGO DE LESIONES A LAS PERSONAS EN CASO DE INCENDIO DE GRASA EN LA PARTE SUPERIOR DE LA GAMA, OBSERVE LO SIGUIENTE: ^a

- a) APAGUE LAS LLAMAS con una tapa hermética, una bandeja para galletas o una bandeja metálica y, a continuación, apague el quemador. TENGA CUIDADO PARA EVITAR QUEMADURAS. Si las llamas no se apagan inmediatamente, EVACÚE Y LLAME AL DEPARTAMENTO DE BOMBEROS.
- b) NUNCA RECOJA UNA SARTÉN EN LLAMAS - Puede quemarse.
- c) NO UTILICE AGUA, ni paños de cocina o toallas mojados - se producirá una violenta explosión de vapor.

- d) Utilice un extintor SÓLO si:
 - Tiene un extintor de clase ABC y sabe cómo utilizarlo.
 - El fuego es pequeño y está contenido en la zona donde se inició.
 - Se está llamando a los bomberos.
 - Puede combatir el fuego de espaldas a una salida.
- ^aBasado en "Kitchen Fire Safety Tips" publicado por la NFPA

NOTA: Este aparato no está diseñado para ser utilizado por personas (incluidos niños) con capacidades físicas, sensoriales o mentales reducidas, o con falta de experiencia y conocimientos, a menos que hayan recibido supervisión o instrucciones sobre el uso del aparato por parte de una persona responsable de su seguridad.

NOTA: Los niños deben ser supervisados para asegurarse de que no juegan con el aparato.

⚠️ Aviso de Seguridad Importante

⚠️ ADVERTENCIA

Para reducir el riesgo de fuego y choque eléctrico, instale esta campana solo con modelos de motor internos, In line y externo con rangos máximos de 7.6 A/ 913 W, o motores internos fabricados por Elica (para modelos de referencia, vea la tabla de accesorios opcionales).

MODELO DE CAMPANA	Motor Interno (incluido con la campana)		Kit de motor In Line 1200 KIT0154387		Kit de motor Externo 1200 KIT0153054	
	A	W	A	W	A	W
ETRI46SS	7.6	913	7.6	913	7.6	913

- Use esta unidad de la manera para la que fue diseñada por el fabricante. Si tiene preguntas, póngase en contacto con el fabricante.
- Electrodoméstico diseñado exclusivamente para su uso en interiores.
- Antes de dar servicio o limpiar la unidad, apague el suministro de energía en el panel de servicio y bloquee los medios de desconexión del servicio para evitar que se encienda accidentalmente el suministro de energía. Cuando el medio de desconexión del servicio no se pueda bloquear, sujete de manera segura un dispositivo de advertencia prominente, como podría ser una etiqueta, al panel de servicio.
- Limpie la unidad de acuerdo a las instrucciones descritas en este manual para evitar riesgo de incendio.
- El trabajo de instalación y cableado se debe llevar a cabo por una persona(s) calificada(s), en conformidad con todos los códigos y estándares aplicables, incluyendo construcciones clasificadas como resistentes al fuego.
- En caso de que su cordón de alimentación llegue a sufrir un daño parcial o total no trate de repararlo acuda al centro de servicio marcado en su garantía o bien con un técnico especialista para su sustitución.
- Es necesario que haya suficiente aire para la adecuada combustión y ventilación de gases a través del conducto (la chimenea) del equipo que consume combustible, para evitar que ocurra contratiempo. Siga la guía y los estándares de seguridad del fabricante del equipo de calefacción.
- Cuando corte o taladre en una pared o techo, no dañe el cableado ni otros servicios públicos.
- Los ventiladores con conductos siempre deben dar salida al aire hacia el exterior.
NOTA: Sólo para versión Aspirante.
- Para usarse solamente en ventilación común. No lo utilice para ventilar materiales y vapores peligrosos o explosivos.
- Sólo use conductos metálicos.
- Si está provista de enchufe eléctrico, conecte la campana a una toma de corriente que cumpla con la normativa vigente y colocada en una posición accesible. Cuando no se disponga de enchufe eléctrico (conexión directa a la red eléctrica) o el enchufe no vaya a estar en una posición accesible después de la instalación, coloque un interruptor bipolar homologado en una posición accesible que proporcione una desconexión total en condiciones de sobretensión de categoría III, de acuerdo con las normas locales de cableado.

RECOMENDACIONES GENERALES

- Nunca deje las unidades de superficie sin vigilancia cuando estén en ajustes altos. Los derrames por hervor causan salpicaduras grasosas y humeantes, las cuales pueden encenderse. Caliente los aceites lentamente y con ajustes bajos o medios.
- Siempre ENCIENDA LA CAMPANA cuando cocine.
- Limpie los filtros anti-grasa con frecuencia (al menos cada 2 meses). No permita que se acumule la grasa en el filtro. Aplica para filtros de aluminio.
- Se recomienda cambiar los filtros de carbón cada 6 meses.
- No flamear alimentos bajo la campana de cocina.
- Use cacerolas del tamaño adecuado. Siempre use utensilios de cocción que sean los adecuados para el tamaño del elemento de la superficie.
- Este aparato no se destina para utilizarse por personas (incluyendo niños) cuyas capacidades físicas, sensoriales o mentales sean diferentes o estén reducidas o carezcan de experiencia o conocimiento a menos que dichas personas reciban supervisión o capacitación del funcionamiento del aparato por una persona responsable de su seguridad.
- Los niños deben supervisarse para asegurar que ellos no empleen los aparatos como juguete.
- No use el ventilador de la campana con ningún dispositivo semiconductor para el control de la velocidad

Requisitos Eléctricos y de Instalación

IMPORTANTE

Cumpla todas las normativas y ordenanzas gubernamentales. Es responsabilidad del cliente:

- Ponerse en contacto con un instalador eléctrico cualificado.
- Asegurarse de que la instalación eléctrica es adecuada y en conformidad con National Electrical Code, ANSI/NFPA 70 (última edición*) o CSA Standards C22.1-94, Canadian Electrical Code, Parte 1 y C22.2 No.0-M91 (última edición*) y toda la normativa y las ordenanzas locales.
- Si la normativa lo permite y se utiliza un cable de toma a tierra independiente, se recomienda que un electricista cualificado determine si la difracción de onda de tierra es la adecuada.
- No ubique la toma a tierra en una tubería de gas.
- Si no está seguro de que la campana está correctamente conectada a tierra, consulte a un electricista cualificado.
- No coloque ningún fusible en el circuito neutral o con vuelta por tierra.

IMPORTANTE

- Guarde las instrucciones de instalación para su uso por parte del inspector de electricidad.
- La campana debe estar conectada únicamente con hilo de cobre.
- La campana debe estar conectada directamente al desconectador con fusible (o disyuntor) mediante canal metálico de cables eléctricos.
- Los tamaños de cable deben cumplir los requisitos de la National Electrical Code, ANSI/NFPA 70 (última edición*) o CSA Standards C22.1-94, Canadian Electrical Code, Parte 1 y C22.2 No.0-M91 (última edición*) y toda la normativa y las ordenanzas locales.

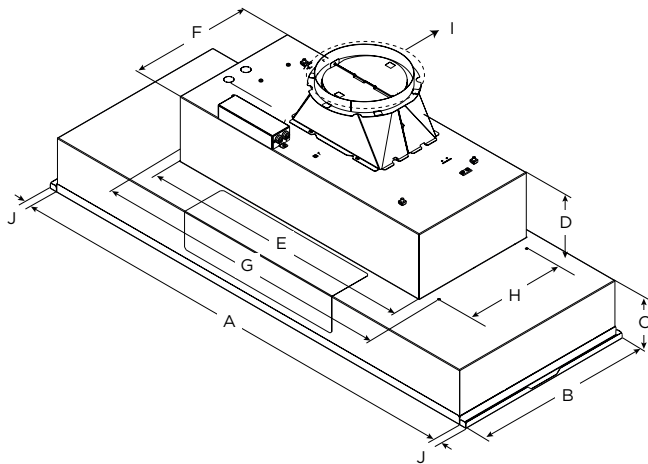
- Es preciso colocar un conector de canal de cables enumerado en U.L. o C.S.A. en cada extremo del canal de cables de fuente de alimentación (en la campana y en la caja de conexiones).

Se pueden obtener copias de los estándares enumerados en:
 * National Fire Protection Association Batterymarch Park Quincy, Massachusetts 02269
 ** CSA International 8501 East Pleasant Valley Road Cleveland, Ohio 44131-5575

ANTES DE INSTALAR LA CAMPANA

- 1 Para obtener una circulación del flujo de aire más eficaz, utilice un tubo de tramo recto o el menor número posible de tubos acodados.
PRECAUCIÓN: el conducto de ventilación solamente debe tener salida hacia la parte exterior del edificio.
- 2 Para realizar la instalación, se necesitan al menos dos personas.
- 3 La campana se ajusta mediante materiales adecuados para la mayoría de superficies; consulte a un instalador cualificado para comprobar si quedan perfectamente ajustados al armario o a la pared.
 No emplee tubos flexibles.
- 4 Las instalaciones en **CONDICIONES CLIMÁTICAS FRÍAS** deben tener instalado un regulador de contratiro adicional para minimizar el flujo de aire inverso y una rotura térmica no metálica para minimizar la conducción de temperaturas externas como parte de los tubos. El regulador debe encontrarse en la parte de aire frío de la rotura térmica. La rotura debe estar lo más cerca posible al lugar donde los tubos entran en la parte caliente de la casa.
- 5 Aire limpio: Las normativas locales para edificios pueden requerir el uso de sistemas de aire limpio cuando se utilizan sistemas de ventilación mediante tubos superiores al CFM especificado de movimiento de aire.
- 6 El CFM especificado varía de una zona a otra. Para conocer los requisitos específicos de su zona, consulte a un profesional de HVAC.

Dimensiones del Producto



	Modelo
	ETR146SS
A	46½" (118 cm)
B	18" (45.7 cm)
C	5⅞" (13.8 cm)
D	6½" (16.4 cm)
E	27⅞" (70 cm)
F	12⅞" (31.6 cm)
G	29⅜" (75.7 cm)
H	10⅞" (25.6 cm)
I	8" (20.3 cm)
J	¾" (1.9 cm)

Lista de Materiales

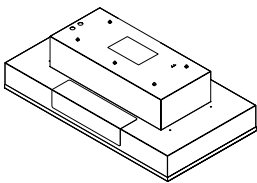


Remoción del empaque

⚠ PRECAUCIÓN

Quite la caja cuidadosamente,. Use guantes para protegerse contra los bordes afilados.

⚠ ADVERTENCIA

Quite la película de protección que cubre el producto antes de ponerlo en funcionamiento.

Partes Suministradas	Piezas
 <p>Ensamblaje de la campana con motor y lámparas LED instaladas</p>	1
 <p>5x45 mm</p>	4
 <p>4x8 mm</p>	10

Partes Suministradas	Piezas
 <p>Espaciadores laterales</p>	2
 <p>Transición redonda de 8"</p>	1

Piezas no suministradas

Herramientas necesarias

- Taladro
- Broca 1/4" (3.0 cm)
- Broca 1/8" (4.8 cm)
- Broca para orificios piloto 1/8" (3.0 mm)
- Lápiz
- Pinzas para cortar y pelar cable
- Cinta métrica, regla o flexómetro
- Pistola selladora y resonador a prueba de agua
- Destornillador plano
- Destornillador Phillips
- Caladora o sierra
- Tijeras para corte de metal

Partes necesarias

- Cable de alimentación eléctrica
- 1 conducto de cable de 1/2" (12.7 mm) aprobado por UL o CSA
- 3 conectores de cables aprobados por UL
- 1 boquilla para pared o techo
- Ducto metálico

Accesorios opcionales

KIT	Número de parte
Kit in Line sin motor	KIT0179549
Kit Externo sin motor	KIT0179547
Kit filtros de carbón	KIT0192765
Kit Recirculante	KIT0192763

Opciones de Ventilación

Siga detenidamente las instrucciones expuestas en este manual.

Se declina toda responsabilidad de cualquier inconveniencia, daños o incendios eventuales ocasionados por el incumplimiento de las instrucciones de este manual.

Preparación

No corte una vigueta o un perno a menos que sea absolutamente necesario. Si fuera necesario efectuar el corte, deberá construirse un marco de soporte.

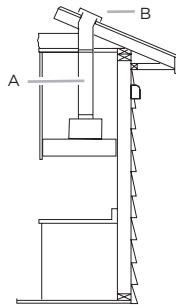
Se suministra el material de ajuste necesario para fijar la campana a la mayoría de tipos de muro o techo.

No obstante, un técnico cualificado debe comprobar la idoneidad de los materiales de acuerdo con el tipo de muro o techo.

Antes de efectuar algún corte, asegúrese de que existe el espacio libre adecuado en el techo o muro para la expulsión del aire.

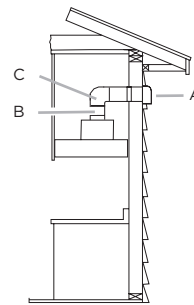
Use un sistema de ventilación redondo y una transición redonda para descargar gases y vapor procedentes de la cocina al exterior.

Salida por el techo



- A. Ducto redondo
- B. Boquilla para techo

Salida por la pared



- A. Boquilla para pared
- B. Ducto redondo
- C. Codo de 90°

⚠ PRECAUCIÓN

Para la instalación de estufas de gas: instale esta campana de tal manera que la cornisa inferior se encuentre a 30" (76.2 cm) sobre la superficie de cocción.

Para la instalación de estufas eléctricas/inducción: instale esta campana de tal manera que la cornisa inferior se encuentre a no menos de 24" (61 cm) sobre la superficie de cocción.

No hay una altura máxima de instalación, sin embargo, se recomienda no instalar esta campana a más de 36" (91.4 cm) sobre la superficie de cocción. Por cada pulgada (2.54 cm) superior a 36" (91.4 cm), disminuirá la eficiencia en la captura de humo y humedad, así como el desempeño de ventilación.

Para uso electrodoméstico.

POR FAVOR, LEA EL MANUAL DE INSTALACIÓN PARA UNA INSTALACIÓN ESPECÍFICA. Antes de seleccionar la campana, compruebe la altura del techo y la altura máxima de la campana.

Prepare la Ubicación

Instalar el kit en línea - Opcional

NOTA: Su campana extractora puede funcionar con un sistema de motor de soplado interno o en línea (externo). Un kit en línea opcional (adquirido por separado) permite que el motor del soplador que viene con esta campana extractora se instale en un lugar distinto al de la cavidad de la campana extractora.

PRECAUCIÓN: Para reducir el riesgo de incendio y de descarga eléctrica, instale esta campana extractora sólo con el kit In-Line. Consulte la sección “accesorios opcionales” para realizar el pedido.

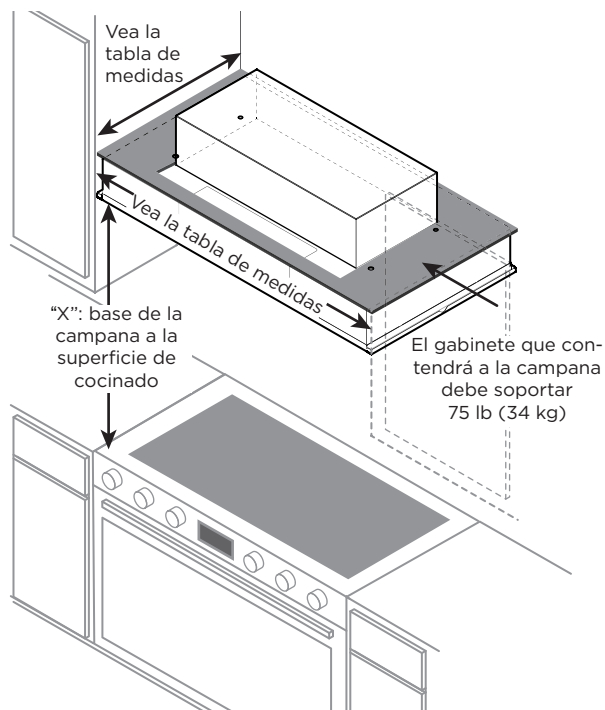
Para la instalación, consulte las instrucciones de instalación del In-Line Kit. Llame al servicio técnico.

- Desconecte el suministro de energía.
- Decida qué método de ventilación usar: a través del techo o la pared.
- Seleccione una superficie plana para ensamblar la campana para cocina. Cubra dicha superficie.
- Se recomienda que el sistema de ventilación sea instalado antes de que se instale la campana para cocina.
- Antes de hacer recortes, asegúrese de que haya una distancia adecuada dentro del techo o la pared para la ventilación del escape.
- La campana debe ser instalada a una distancia mínima de 24" (61 cm) sobre una superficie de cocina eléctrica y 30" (76.2 cm) sobre una superficie de cocina de gas. La altura máxima recomendada es de 36" (91.44 cm).
- Verifique que todas las piezas de instalación se hayan retirado del empaque.
- Con la ayuda de 2 o más personas, coloque la campana sobre una superficie cubierta.
- Retire los filtros de grasa.
- Apto para uso en lugares húmedos, cuando se instala en un circuito derivado protegido por GFCI.

Dimensiones

Esta campana tiene la flexibilidad de ser instalada de dos maneras distintas, dependiendo de la medida de largo de la campana o del área disponible entre los gabinetes izquierdo y derecho. Antes de iniciar, deberá determinar las dimensiones de esa área y considerar las medidas de la tabla de abajo.

Modelos de campana	Ancho de la campana sin espaciadores	Ancho de la campana con espaciadores	Profundidad de la campana
ETR146SS	46½" (117.8 cm)	48" (121.92 cm)	18" (45.7 cm)

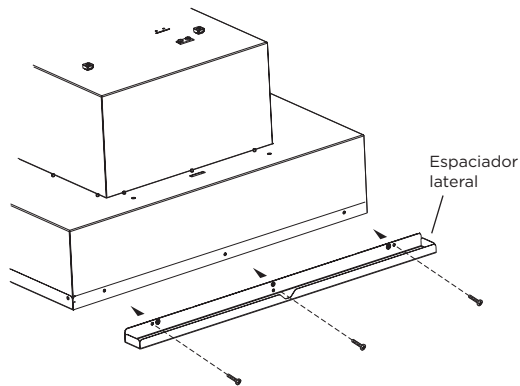


IMPORTANTE:

Distancia Mínima "X": 24" (61 cm) para parrillas eléctricas.
Distancia Mínima "X": 30" (76.2 cm) para parrillas de gas.

Instalación del espaciador de acero inoxidable

- Puede alargar 1.5" del ancho de su campana (¾" por lado), instalando los distanciales de acero inoxidable incluidos con su campana.
- Desempaque los distanciales y retire el protectivo.
- Coloque cada uno del lado derecho e izquierdo de su campana, alineándolo a las perforaciones de instalación.
- Asegure el distancial a la campana con los tornillos de 5 x 45 mm.



- Si el diseño del gabinete reduce el ancho de la apertura (46.5") para instalar la campana, los espaciadores no deberán ser usados.
- Si usted cuenta con una abertura completa (por ejemplo: 48") para instalar su campana, deberá utilizar los espaciadores.

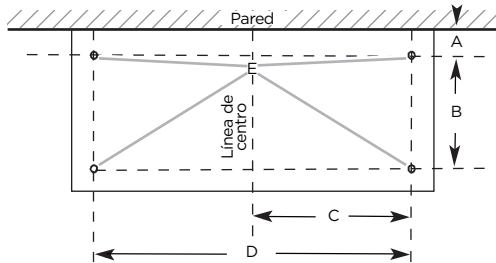
Instale la Campana al Gabinete

La campana se instala al gabinete usando cuatro tornillos y rondanas de montaje.

NOTA: El gabinete debe ser capaz de soportar 75 lb (34 kg).

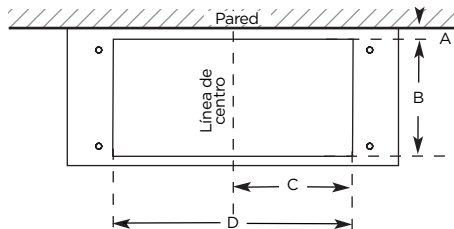
Prepare la campana para su montaje dentro del gabinete

1. Marque la ubicación de los cuatro tornillos en el gabinete como se muestra en la figura de abajo.
2. Usando una broca de $\frac{1}{8}$ " (3 mm), perforo los 4 orificios.



DIMENSIONES DE LOS ORIFICIOS DE INSTALACIÓN					
Modelo	DIM A	DIM B	DIM C	DIM D	DIM E
ETR146SS	6" (15.5 cm)	10 $\frac{1}{4}$ " (25.6 cm)	14 $\frac{1}{4}$ " (38 cm)	29 $\frac{3}{4}$ " (75.8 cm)	$\varnothing \frac{1}{8}$ " (3mm)

3. Marque las líneas de corte para el orificio rectangular de la parte superior de la campana como se muestra.
4. Usando una sierra o sierra caladora, corte el orificio rectangular destinado a la parte superior de la campana.



DIMENSIONES DEL HOUSING SUPERIOR DE MOTOR				
Modelo	DIM A	DIM B	DIM C	DIM D
ETR146SS	$\frac{1}{4}$ " (1.7 cm)	15 $\frac{3}{8}$ " (38.9 cm)	14 $\frac{1}{2}$ " (36.8 cm)	28 $\frac{3}{8}$ " (73.5 cm)

Instale la campana en el gabinete

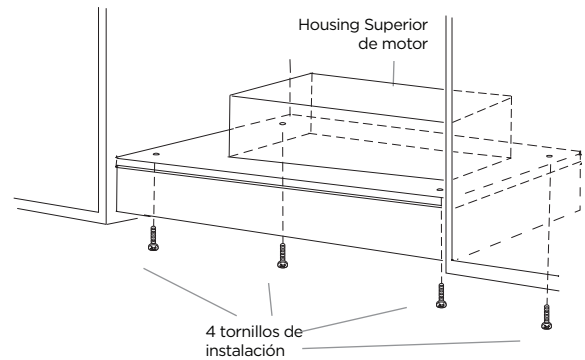
1. Ubique y haga todos los cortes necesarios para el sistema de ventilación en la pared o el techo. Instale los ductos antes de montar la campana.
2. Ubique el punto en la pared por donde el cable de alimentación pasará.
3. Haga un orificio de $1\frac{1}{4}$ " (3.2 cm) en ese lugar.
4. Haga pasar por la pared el suficiente cable para que permita la fácil conexión a la caja eléctrica.
5. Remueva la cubierta de la caja eléctrica y pongala a un lado.

6. Instale la transición de ventilación redonda en la parte superior de la campana, utilizando 4 tornillos de 3.5 x 9.5 mm.
7. Remueva el precorte de la parte superior de la campana e instale un retén de cable aprobado por UL y CSA de $\frac{1}{2}$ " (1.3 cm).
8. Coloque la campana en su posición de montaje y corra el cable de alimentación hacia el interior de la campana (el suficiente para hacer la conexión).
9. Asegure los tornillos del reten.
10. Con la ayuda de 2 o más personas, levante la campana hasta el gabinete.
11. Asegure la campana al gabinete utilizando 4 tornillos de 5 x 45 mm.

⚠ ADVERTENCIA

RIESGO DE PESO EXCESIVO.

UTILICE LA AYUDA DE 2 O MÁS PERSONAS PARA MOVER O INSTALAR LA CAMPANA, DE LO CONTRARIO PUEDE RESULTAR EN LESIONES EN ESPALDA U OTROS DAÑOS.



Conexión eléctrica

⚠ **ADVERTENCIA**

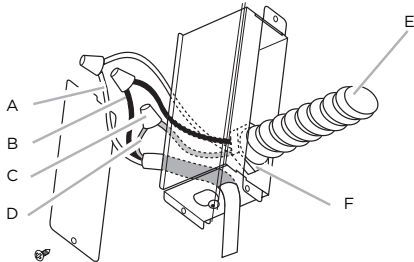
PELIGRO DESCARGA ELÉCTRICA.

⚠ **ADVERTENCIA**

DESCONECTE EL SUMINISTRO DE ENERGÍA ANTES DE DARLE MANTENIMIENTO.

VUELVA A COLOCAR TODOS LOS COMPONENTES Y PANELES ANTES DE HACERLO FUNCIONAR. NO SEGUIR ESTAS INSTRUCCIONES PUEDE OCASIONAR LA MUERTE O CHOQUE ELÉCTRICO.

- Quite el precorte removible que está en la caja de terminales e instale un protector de cables de ½" que esté en la lista de UL o esté aprobado por CSA.



A. Cables blancos
B. Cables negros
C. Conectores de cables aprobados por UL

D. Cables verdes (o desnudos) y amarillos - verdes de puesta a tierra
E. Cable de alimentación
F. Sujeta cable de ½" (aprobado por UL o CSA)

- Use conectores de cables que estén en la lista de UL y conecte los cables negros (B) juntos.
- Use conectores de cables que estén en la lista de UL y conecte los cables blancos (A) juntos.

⚠ **ADVERTENCIA**

PELIGRO DE CHOQUE ELÉCTRICO.

⚠ **ADVERTENCIA**

CONECTE EL MOTOR A TIERRA.

CONECTE EL CABLE DE TIERRA AL CABLE VERDE Y AMARILLO DE CONEXIÓN A TIERRA EN LA CAJA DE TERMINALES.

NO SEGUIR ESTAS INSTRUCCIONES PUEDE OCASIONAR LA MUERTE O CHOQUE ELÉCTRICO.

- Conecte el cable verde (o desnudo) de puesta a tierra del suministro de energía doméstico al alambre amarillo - verde de puesta a tierra (D) en la caja de terminales usando conectores de cables que estén en la lista de UL.
- Cierre y asegure nuevamente la cubierta de la caja de terminales.

Complete la instalación

Vuelva a colocar los filtros.

Verifique el funcionamiento de la campana.

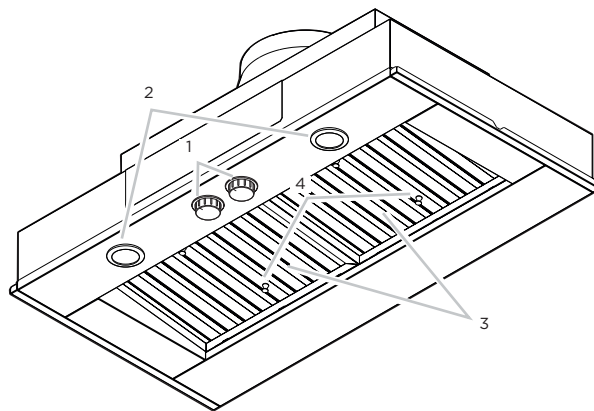
Si la campana extractora no funciona:

- Compruebe si el disyuntor está desconectado o se han fundido los fusibles.
- Desconecte el suministro eléctrico. Compruebe si el cableado es correcto.

Para conseguir el funcionamiento más eficaz de la nueva campana extractora, lea la sección "Mantenimiento".

Para disponer de una referencia sencilla, siga las Instrucciones de instalación y la Guía de uso y mantenimiento.

Descripción de la campana



1. Controles de lámpara y motor
2. Lámparas LED

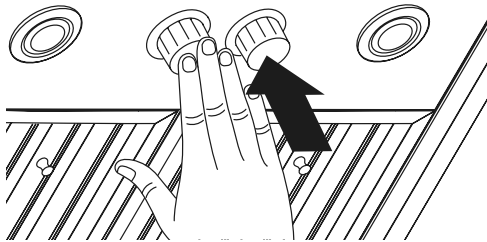
3. Manija de filtro de grasa
4. Filtro para grasa

Control

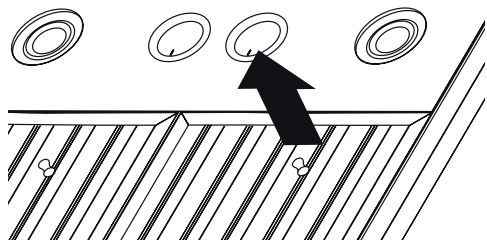
Esta campana está diseñada para remover humo, vapores de cocina y olores del área de cocina. Para mejores resultados, encienda la campana antes de cocinar y permita que opere algunos minutos después de haber terminado de cocinar para dispersar todo el humo y olores de la cocina. Los controles están localizados en la parte central de la campana.

Ocultar las perillas

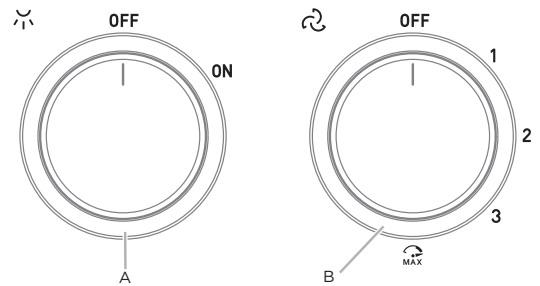
- Usted puede ocultar las perillas de los controles solo al presionar estos hacia abajo.



- Presione nuevamente para mostrar las perillas y habilitar las funciones de las lámparas y del motor.



Controles



A. Control de lámparas LED
B. Control de velocidades del motor

Funcionamiento de las lámparas

1. Gire el control a la posición "ON" para encender las luces.
2. Gire el control a la posición "OFF" para apagar las luces.

Funcionamiento del motor

1. Gire el control a la posición "1" para encender la campana.
2. Gire el control a la velocidad deseada.
3. Gire el control a la posición "MAX" para obtener la máxima potencia de su campana.
4. Gire el control a la posición "OFF" para apagar su campana.

Encendido automático del motor

La campana de cocina está equipada con un sensor que enciende automáticamente el motor cuando ésta detecta un exceso de calor en el área de control. Cuando el control del motor esté en la posición "OFF", este sensor encenderá el motor a máxima velocidad cuando sea necesario. Cuando el calor disminuya, el motor se apagará. Cuando el control del motor esté en la posición de encendido, el sensor de calor no estará activado y la campana de cocina funcionará normalmente.

Limpieza

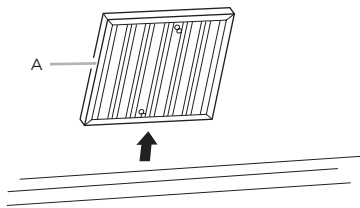
Superficies exteriores:

Para evitar el daño en las superficies externas, no use estropajos de acero ni jabonosos. No use limpiadores de base de cloro. Siempre séquelo con un paño para evitar manchas de agua.

- Limpiador de acero inoxidable o polish.
- Detergente líquido y agua.
- Límpielo con un paño suave húmedo o esponja no abrasiva, enjuáguelo con agua limpia y séquelo con un paño.

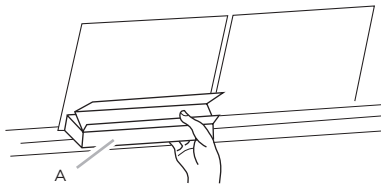
Filtros metálicos y graseras:

- 1 Use ambas manos para retirar los filtros.
- 2 Sujete las manijas de los filtros, jale hacia el frente de la campana y empuje hacia abajo para retirarlo. Repita el proceso para cada filtro.



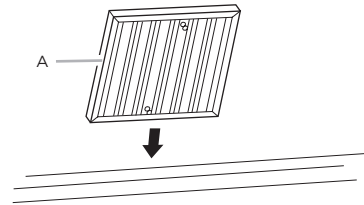
A. Filtro de grasa

- 3 Remueva las graseras.



A. Graseira

- 4 Lave los filtros metálicos y las graseras en lavaplatos o con solución jabonosa caliente.
- 5 Vuelva a colocar las graseras.
- 6 Reinstale los filtros.



A. Filtro de grasa

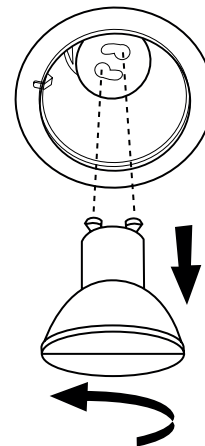
Reemplazo de las lámparas LED

Apague la campana de cocina y espere a que la lámpara se enfríe.

Para evitar daños en la nueva lámpara o que se disminuya la vida útil de ésta, no toque la lámpara directamente con los dedos descubiertos. Reemplace usando algún pañuelo o usando unos guantes de algodón al manejar la lámpara.

Si las nuevas lámparas no funcionan correctamente, asegúrese de que estén insertadas correctamente antes de llamar al servicio técnico.

- 1 Desconecte la corriente.
- 2 Gire el contador hacia el sentido contrario a las agujas del reloj.
- 3 Remueva la lámpara y reemplácela con la nueva lámpara LED de máximo 120-volt, 6.5 W para una base de GU10. Gírelo en el sentido de las agujas del reloj para bloquearlo en su lugar.
- 4 Repita los pasos 2-3 para las otras lámparas.
- 5 Reconecte la corriente.



PARA OBTENER SERVICIO DENTRO DE GARANTÍA

El propietario debe presentar su recibo original de la compra. Guarde por favor una copia de su recibo de compra como prueba, para recibir el servicio dentro del periodo de garantía.

PARTES Y GARANTÍA DE SERVICIO

Por el periodo de dos (2) años desde la fecha original de la compra, Elica proveerá gratuitamente, a través de sus distribuidores, partes no-consumibles o componentes que hayan fallado debido a defectos de fabricación. Durante estos dos (2) años de garantía limitada, Elica también proveerá gratuitamente, a través de sus distribuidores, todo el servicio en casa y mano de obra necesaria para reemplazar cualquier parte defectuosa.

QUÉ NO ESTÁ CUBIERTO

- Daños o fallas del producto causados por accidente o actos de Dios, tales como inundaciones incendios o terremotos.
- Daños o fallas causadas por alteración del producto o por el uso de partes no-originales.
- Daños o fallas del producto causados durante la entrega, manejo o instalación.
- Daños o fallas del producto causados por abuso del usuario.
- Daños o fallas del producto causados por reemplazo de fusibles dañados o reseteo de interruptor de circuito.
- Daño o fallas causados por el uso del producto en un ambiente comercial (no doméstico).
- Viajes de servicio para proporcionar orientación de uso o instalación.
- Bombillas, filtros de carbón o metal y cualquier otra parte consumible.
- Desgaste normal.
- Desgaste terminal debido a abusos del usuario, mantenimiento inadecuado, uso de productos / toallas de limpieza corrosivos o abrasivos y por uso de limpiadores para hornos.
- Cuando el producto no hubiese sido operado de acuerdo con el instructivo de uso que se le acompaña.

QUIÉN ESTÁ CUBIERTO

Esta garantía se extiende al comprador original de productos adquiridos para uso residencial en Latinoamérica.

Para cualquier defecto estético se tiene una garantía limitada por treinta (30) días de la fecha de compra del usuario final.

Esta garantía no es transferible y aplica solamente al comprador original y no se extiende a propietarios subsecuentes del producto. Esta garantía se expresa en lugar de otras garantías, expresadas o implicadas, incluyendo, pero no limitada a ninguna garantía implicada de comercialización o adaptada para propósitos particulares y cualquier otra obligación por parte de Elica, considerando, sin embargo, que si la negación de garantías implícitas es inefectiva bajo la ley aplicable, la duración de cualquier garantía implícita será limitada a dos (2) años desde la fecha original de compra o por el periodo necesario como sea requerido por la ley aplicable.

Esta garantía no cubre cualquier daño especial, incidental y/o consecuente, ni pérdidas de ganancias, sufridas por el comprador original, sus clientes y/o usuarios del producto.

A QUIÉN CONTACTAR

Para obtener Servicio bajo Garantía o para cualquier pregunta relacionada a Servicio:

PAÍS	COMPAÑÍA	CONTACTO SERVICIO TÉCNICO	MAIL CONTACTO SERVICIO TÉCNICO	TELEFONO SERVICIO TÉCNICO
MÉXICO	ARTEXA MEXICO S.A. DE C.V.	Martín Melgoza	servicio@artexa.com	+ 52.81.8625.5063
BRASIL	LOFRA SUDAMERICA LTDA	Carlos Fleischfresser	carlos@tecnoeletros.com.br	+ 41.3661.7006
PERÚ	LÍNEA HOGAR	Flavio Figari	flavio.figari@appliancecenter.pe	+ 51 1 2418055

Artexa Mexico S.A. de C.V. Domicilio: Cañon Grande #7720, Col. La Estanzuela, Monterrey, N.L., 64984, Mexico ☎ 55 3955 8770
En caso de no existir un distribuidor en su localidad, favor de ingresar a www.elica.com/asistencia

Para garantizar un rápido servicio postventa, cuando llame le pediremos que amablemente brinde la siguiente información que se indica en la placa de identificación que está dentro de la campana: **modelo de campana, 12 NC y fecha de compra en su factura original**. Para acceder a la placa de identificación, todo lo que tiene que hacer es quitar los filtros de grasa.

12NC: _____

Modelo de campana: _____

No. Serie: _____

Fecha de compra en su factura original: _____

ELICA North America

GARANTÍA LIMITADA DE DOS AÑOS

Registre su producto en

elica.com

y gane un 3^{er} año de garantía de fábrica que cubre todas las partes además de la mano de obra.

PARA OBTENER SERVICIO DENTRO DE GARANTÍA

El propietario debe presentar su recibo original de la compra. Guarde por favor una copia de su recibo de compra como prueba, para recibir el servicio dentro del periodo de garantía.

PARTES Y GARANTÍA DE SERVICIO

Por el periodo de dos (2) años desde la fecha original de la compra, Elica proveerá, gratuitamente, partes no-consumibles o componentes que hayan fallado debido a defectos de fabricación. Durante estos dos (2) años de garantía limitada, Elica también proveerá gratuitamente, todo el servicio en casa y mano de obra necesaria para reemplazar cualquier parte defectuosa.

QUÉ NO ESTÁ CUBIERTO

- Daños o fallas del producto causados por accidente o actos de Dios, tales como inundaciones incendios o terremotos.
- Daños o fallas causadas por alteración del producto o por el uso de partes no-originales.
- Daños o fallas del producto causados durante la entrega, manejo o instalación.
- Daños o fallas del producto causados por abuso del usuario.
- Daños o fallas del producto causados por reemplazo de fusibles dañados o reseteo de interruptor de circuito.
- Daño o fallas causados por el uso del producto en un ambiente comercial (no doméstico).
- Viajes de servicio para proporcionar orientación de uso o instalación.
- Bombillas, filtros de carbón o metal y cualquier otra parte consumible.
- Desgaste normal.
- Desgaste terminal debido a abusos del usuario, mantenimiento inadecuado, uso de productos / toallas de limpieza corrosivos o abrasivos y por uso de limpiadores para hornos.
- Cuando el producto no hubiese sido operado de acuerdo con el instructivo de uso que se le acompaña.

QUIÉN ESTÁ CUBIERTO

Esta garantía se extiende al comprador original de productos adquiridos para uso residencial en Norte América (incluyendo Estados Unidos, Guam, Puerto Rico, Islas Vírgenes de EU y Canadá).

Esta garantía no es transferible y aplica solamente al comprador original y no se extiende a propietarios subsecuentes del producto. Esta garantía se expresa en lugar de otras garantías, expresadas o implícadas, incluyendo, pero no limitada a ninguna garantía implícada de comercialización o adaptada para propósitos particulares y cualquier otra obligación por parte de Elica North America, considerando, sin embargo, que si la negación de garantías implícitas es inefectiva bajo la ley aplicable, la duración de cualquier garantía implícita será limitada a dos (2) años desde la fecha original de compra o por el periodo necesario como sea requerido por la ley aplicable.

Esta garantía no cubre cualquier daño especial, incidental y/o consecuente, ni pérdidas de ganancias, sufridas por el comprador original, sus clientes y/o usuarios del producto.

A QUIÉN CONTACTAR

Para obtener Servicio bajo Garantía o para cualquier pregunta relacionada a Servicio:
Favor de llamar a:

- **USA & CANADA - Provincias Occidentales**
SERVICE POWER
888 732 8018
elica@servicepower.com
- **CANADA - Provincia de Ontario**
SERVICE POWER
888 732 8018
elica@servicepower.com
- **CANADA - Provincias de Quebec & Atlántico**
ELECTRO-EXPERTS
1 888 915 8888
repartition@electro-experts.com

Para garantizar un rápido servicio postventa, cuando llame le pediremos que amablemente brinde la siguiente información que se indica en la placa de identificación que está dentro de la campana: **modelo de campana, 12 NC y fecha de compra en su factura original**. Para acceder a la placa de identificación, todo lo que tiene que hacer es quitar los filtros de grasa.

12NC: _____

Modelo de campana: _____

No. Serie: _____

Fecha de compra en su factura original: _____