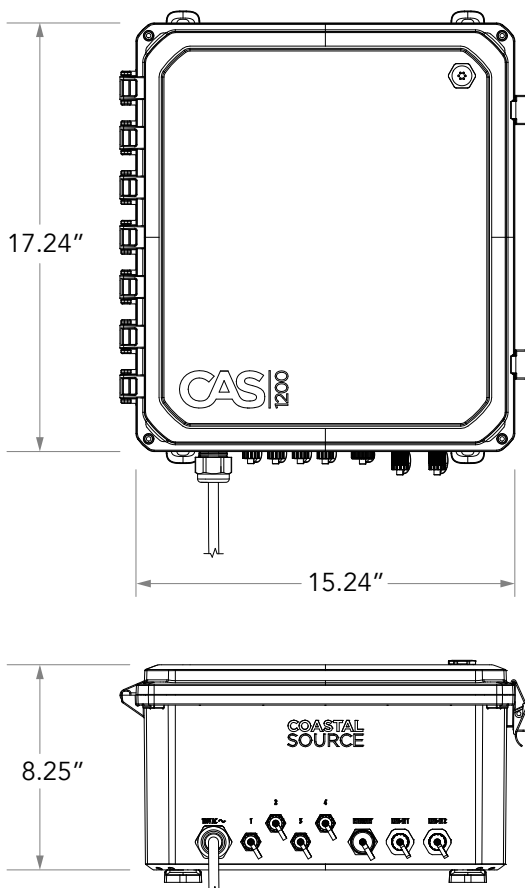


CAS1200 AMPLIFIER

The CAS1200 is a fully DSP-enabled outdoor amplification system delivering a total of 1200W between four channels. This system is designed to be used in exterior wall mount applications for outdoor speaker systems. It comes ready with dual 5P Line Level Inputs. The four programmable channels offer unrivaled control and flexibility. These amplifiers also feature full power sharing and an upgrade option for AES67 digital network architecture.

NOTES:

1. This amplifier ships with the channels preconfigured for the CS speakers ordered with the system.
2. CAS should always be installed in a shady area if possible, and the lid should be fully screwed down to ensure waterproofing.



CAS1200 AMPLIFIER SPECIFICATIONS

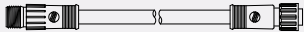
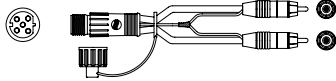
- Dimensions: 17.24" x 15.24" x 8.25"
- Weight: 26 lbs
- Construction: Polycarbonate & Stainless Steel
- Max Speakers: Up to 4x8 ohm speakers per channel and up to 4x8 ohm subs total
- Frequency Response at 8 ohms: 20Hz-20kHz +/- 0.5 dB
- Idle Power: 28W
- Power In: 100-240 VAC @ 50-60Hz
- Power Out: 1200W
- Impedance: Stable to 2 ohms
- Mounting: Wall (brackets included)
- Input: 2x 5P Line Level Connection or Digital (AES67 Option)
- Output: 4x Coastal Connectors (CC)

ORDERING INFORMATION

AMP	POWER
CAS	1200S
1200 (INCLUDES AES67)	

CAS — **1200** e.g. **CAS1200** = CAS1200 Amplifier w/ AES67

ACCESSORIES

SKU	ITEM	
CxxLL5P	5-Pin Line Level Extension Cables	
FMCRA5P	5-Pin Line Level Cable Adapters (5P)	
CASSTRM-SP	CAS Stream Ready for Sonos Port	