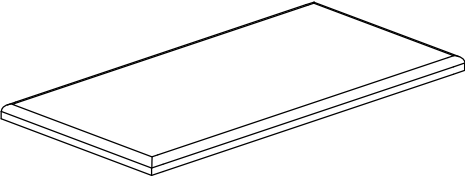
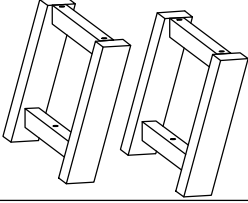



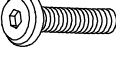



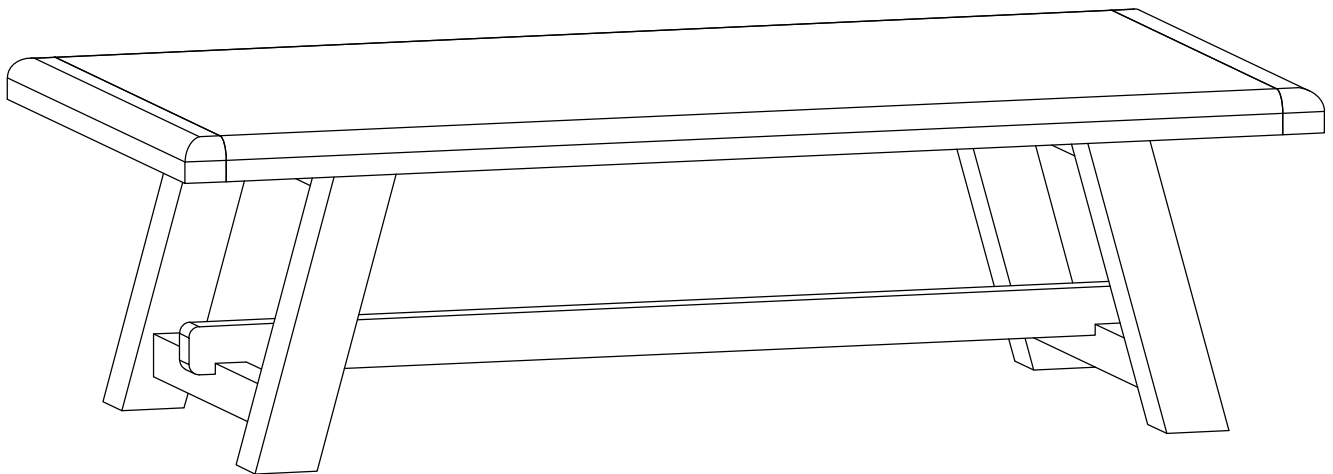
ASSEMBLY INSTRUCTIONS

SKU# 51012085

PARTS LIST

A	TOP x1		<p>Before Beginning</p> <ol style="list-style-type: none"> 1 - Carefully unpack and position the item on a clean, non-marring surface to assemble. 2 - Read this Assembly Instructions from beginning to end before starting to assemble. 3 - Take an inventory of the required parts to ensure all are available. 4 - To prevent accidental choking hazards, keep all packing materials away from small children. 5 - Only tighten hardware until ALL hardware are fully engaged on their locations. Overtighten bolts will damage the bolt threads. 6 - Use only factory provided hardware to assemble. Unapproved hardware can damage product or jeopardize the structural integrity of the product. 7 - The use of power tool to assemble is not recommended due to high risk of over-torque, which can damage the product.
B	LEG x2		
C	CENTER Support x1		

Z	HARDWARE	<p>Z1</p>  $\text{Ø}15 \times \text{Ø}8\text{MM}$ x 6	<p>Z2</p>  $\text{Ø}25 \times \text{Ø}8\text{MM}$ x 10	<p>Z3</p>  M8 x 50MM x 6	<p>Z4</p>  5 MM x 1
----------	----------	--	---	--	---



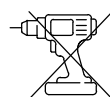
TWO PEOPLE



10-MINUTE
ASSEMBLY TIME



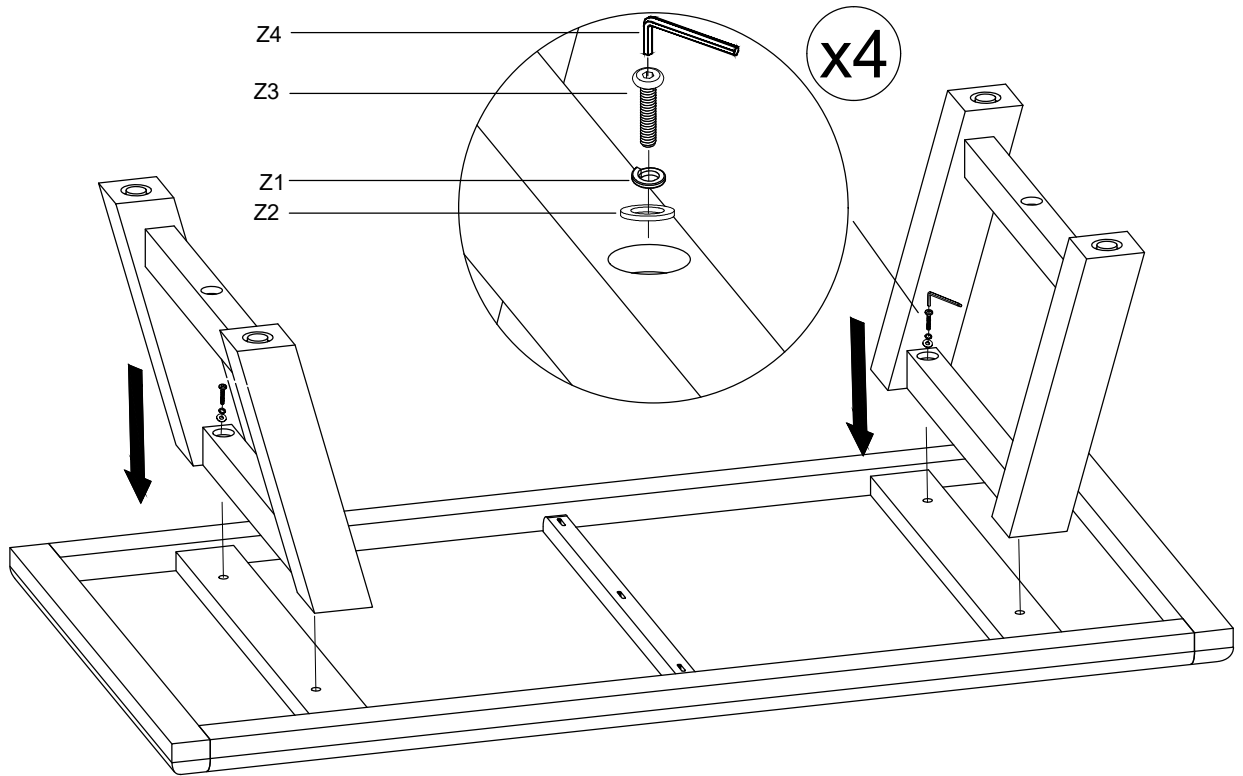
KEEP INSTRUCTIONS
FOR FUTURE USE



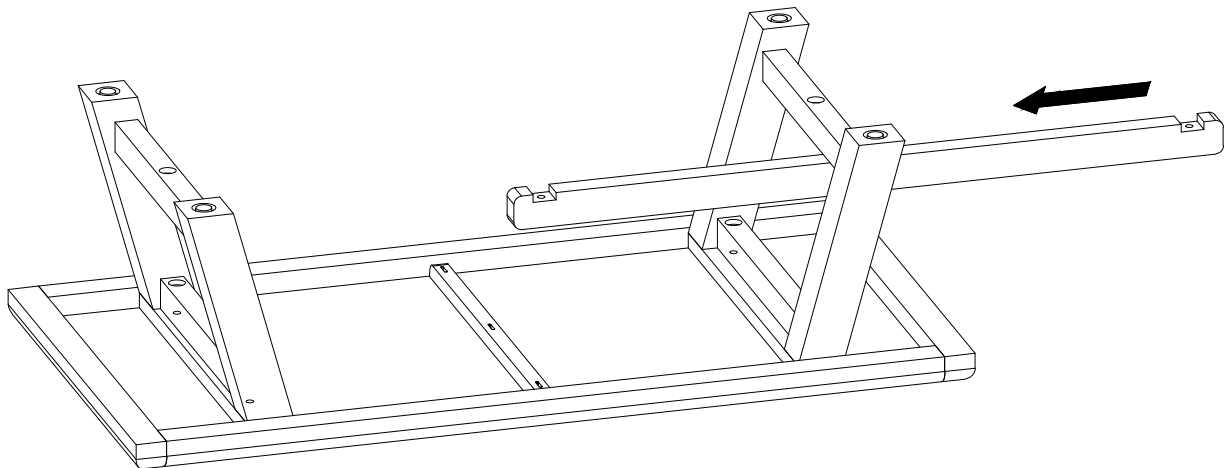
ASSEMBLY INSTRUCTIONS

SKU# 51012085

1



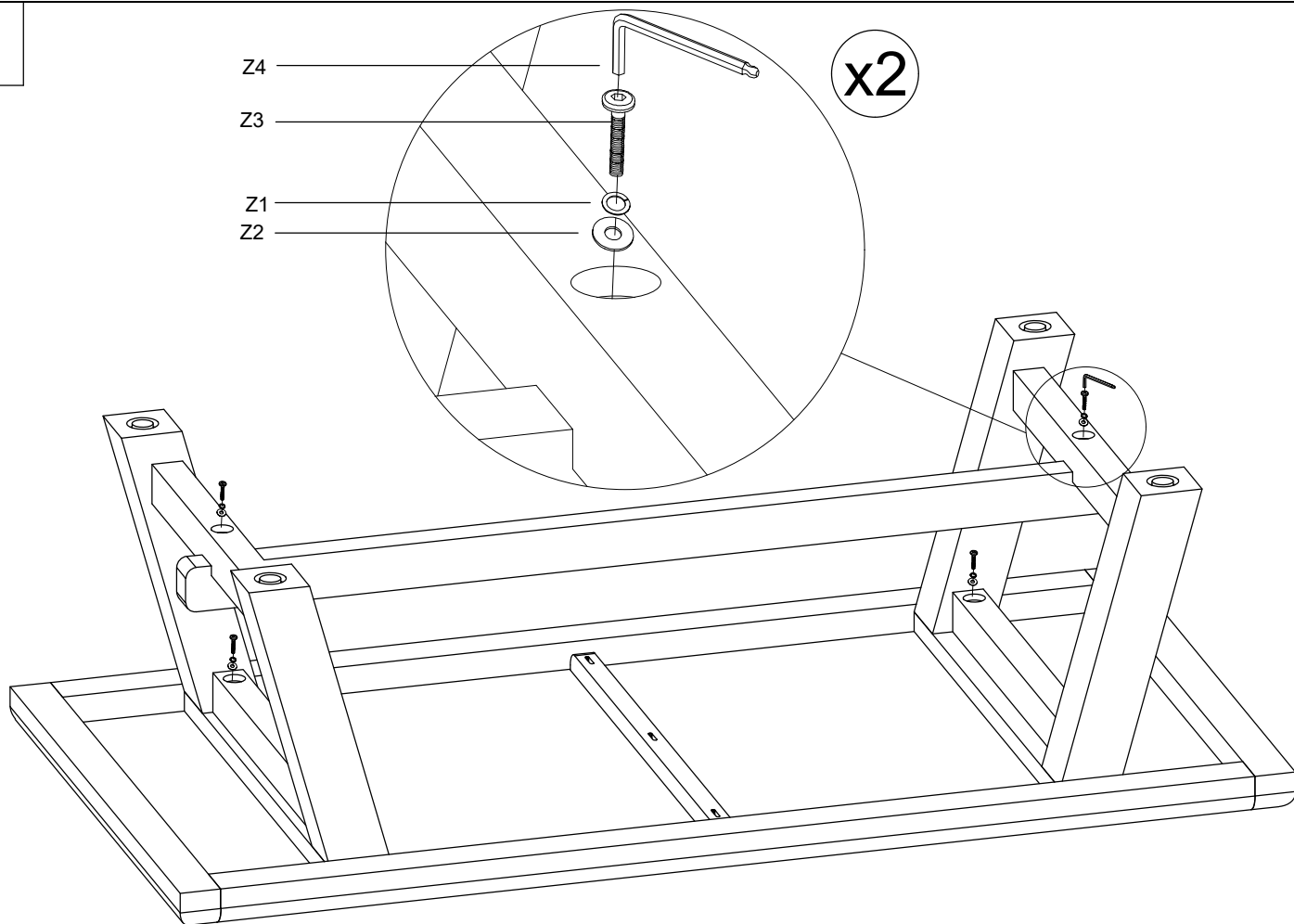
2



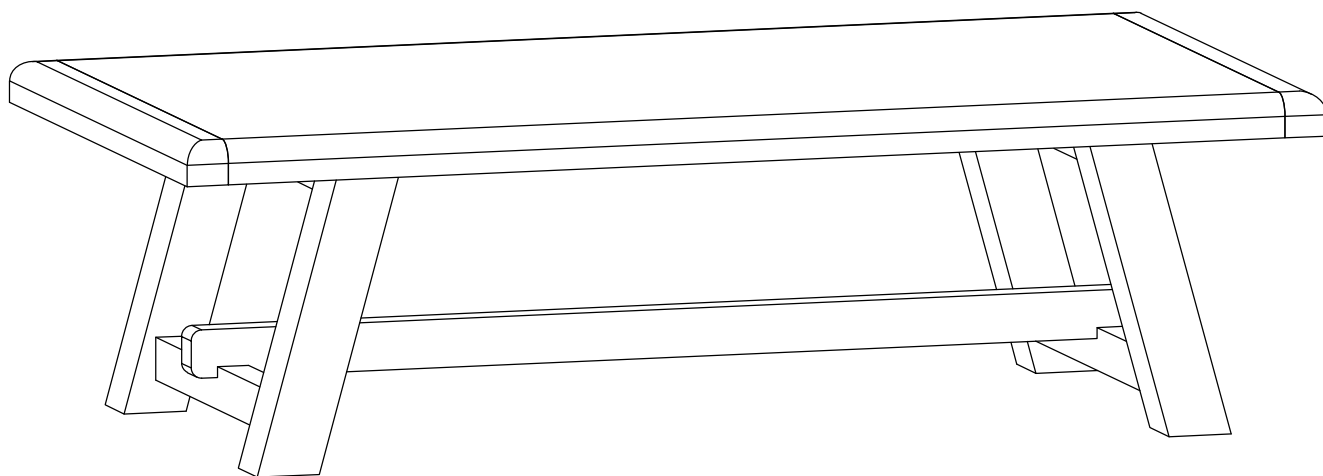
Note: Please adjust the pre-installed levelers at the bottom of the legs to make sure your tv unit is level.

ASSEMBLY INSTRUCTIONS
SKU# 51012085

3



4



Note: Please adjust the pre-installed levelers at the bottom of the legs to make sure your table unit is level.