

# FRENCH DOOR BOTTOM MOUNT OWNER'S MANUAL

## MANUEL D'UTILISATION DE RÉFRIGÉRATEUR À PORTE À DOUBLE BATTANT ET CONGÉLATEUR EN BAS

### Table of Contents/Table des matières

<p><b>REFRIGERATOR SAFETY</b>..... 2</p> <p>Refrigeration Safety..... 2</p> <p>Proper Disposal of Your Old Refrigerator..... 3</p> <p><b>REFRIGERATOR CARE</b>..... 3</p> <p>Cleaning..... 3</p> <p>Changing the Lights..... 4</p> <p>Refrigerator Shelves..... 5</p> <p>Opening and Closing Doors..... 8</p> <p>Vacation and Moving Care..... 8</p> <p><b>INSTALLATION INSTRUCTIONS</b>..... 9</p> <p>Unpack the Refrigerator..... 9</p> <p>Location Requirements..... 10</p> <p>Electrical Requirements..... 11</p> <p>Water Supply Requirements..... 11</p> <p>Connect the Water Supply..... 11</p> <p>Complete the Installation..... 13</p> <p>Install Produce Preserver (available as an accessory only) ... 13</p> <p><b>REFRIGERATOR FEATURES</b>..... 14</p> <p>Using the Controls..... 14</p> <p>Internal Pantry Temperature Control (on some models)..... 16</p> <p>External Pantry Temperature Control (only on 4 Door French Door models)..... 16</p> <p>Water and Ice Dispensers (on some models)..... 17</p> <p>Ice Maker and Storage Bin..... 17</p> <p>Water Filtration System..... 18</p> <p><b>DOOR AND HANDLE INSTRUCTIONS</b>..... 20</p> <p>Door and Drawers..... 20</p> <p>Remove and Replace Handles..... 20</p> <p>Remove Refrigerator Doors and Hinges..... 21</p> <p>Replace Refrigerator Doors and Hinges..... 23</p> <p>Remove and Replace Refrigerator Drawer..... 23</p> <p>Door Closing and Alignment..... 24</p> <p><b>TROUBLESHOOTING</b>..... 26</p> <p>Refrigerator Operation..... 26</p> <p>Temperature and Moisture..... 27</p> <p>Ice and Water..... 27</p> <p><b>PERFORMANCE DATA SHEET</b>..... 29</p> <p>Performance Data Sheet..... 29</p>	<p><b>SÉCURITÉ DU RÉFRIGÉRATEUR</b>..... 34</p> <p>Sécurité du réfrigérateur..... 34</p> <p>Mise au rebut du vieux réfrigérateur..... 35</p> <p><b>ENTRETIEN DU RÉFRIGÉRATEUR</b>..... 35</p> <p>Nettoyage..... 35</p> <p>Changement de lampes..... 37</p> <p>Tablettes du réfrigérateur..... 37</p> <p>Ouverture et fermeture des portes..... 40</p> <p>Précautions à prendre avant les vacances ou le déménagement..... 41</p> <p><b>INSTRUCTIONS D'INSTALLATION</b>..... 42</p> <p>Déballage du réfrigérateur..... 42</p> <p>Exigences d'emplacement..... 42</p> <p>Spécifications électriques..... 43</p> <p>Spécifications de l'alimentation en eau..... 43</p> <p>Raccordement à la conduite d'eau..... 44</p> <p>Terminer l'installation..... 46</p> <p>Installation du conservateur pour produits frais (disponible en tant qu'accessoire seulement)..... 46</p> <p><b>CARACTÉRISTIQUES DU RÉFRIGÉRATEUR</b>..... 47</p> <p>Utilisation des commandes..... 47</p> <p>Commande de température du garde-manger interne (sur certains modèles)..... 50</p> <p>Commande de température du garde-manger externe (seulement sur les modèles avec porte à double battant)..... 50</p> <p>Distributeur d'eau et de glaçons (sur certains modèles)..... 50</p> <p>Machine à glaçons et bac d'entreposage..... 51</p> <p>Système de filtration de l'eau..... 52</p> <p><b>INSTRUCTIONS POUR LA PORTE ET LA POIGNÉE</b>..... 54</p> <p>Porte et tiroirs..... 54</p> <p>Pour enlever et réinstaller les poignées..... 55</p> <p>Démontage des portes et charnières du réfrigérateur..... 55</p> <p>Réinstallation des portes et charnières..... 57</p> <p>Retrait et réinstallation du tiroir de congélation..... 58</p> <p>Fermeture et alignement des portes..... 59</p> <p><b>DÉPANNAGE</b>..... 60</p> <p>Fonctionnement du réfrigérateur..... 60</p> <p>Température et humidité..... 61</p> <p>Glaçons et eau..... 62</p> <p><b>FICHÉ DE DONNÉES DE PERFORMANCE</b>..... 64</p> <p>Fiche de données de performance..... 64</p>
--	---

# REFRIGERATOR SAFETY

## Your safety and the safety of others are very important.

We have provided many important safety messages in this manual and on your appliance. Always read and obey all safety messages.



This is the safety alert symbol.

This symbol alerts you to potential hazards that can kill or hurt you and others.

All safety messages will follow the safety alert symbol and either the word "DANGER" or "WARNING." These words mean:

**▲ DANGER**

**You can be killed or seriously injured if you don't immediately follow instructions.**

**▲ WARNING**

**You can be killed or seriously injured if you don't follow instructions.**

All safety messages will tell you what the potential hazard is, tell you how to reduce the chance of injury, and tell you what can happen if the instructions are not followed.

## IMPORTANT SAFETY INSTRUCTIONS

**WARNING:** To reduce the risk of fire, electric shock, or injury to persons when using your appliance, follow basic precautions, including the following:

- Children should be supervised to ensure that they do not play with the appliance.
- This appliance is not intended for use by persons (including children) with reduced physical, sensory, or mental capabilities, or lack of experience and knowledge, unless they have been given supervision or instruction concerning use of the appliance by a person responsible for their safety.
- Do not use an extension cord.
- If power supply cord is damaged, it must be replaced by the manufacturer, its service agent, or a similarly qualified person in order to avoid a hazard.
- Connect to potable water supply only.
- This appliance is intended to be used in household and similar applications such as: staff kitchen areas in shops, offices, and other working environments; farm houses and by clients in hotels, motels, and other residential-type environments; bed and breakfast-type environments; and catering and similar non-retail applications.
- Do not store explosive substances such as aerosol cans with a flammable propellant in this appliance.
- Use the new hose-sets supplied with the appliance and that old hose-sets should not be reused.
- Do not use replacement parts that have not been recommended by the manufacturer (e.g., parts made at home using a 3D printer).
- Keep ventilation openings, in the appliance enclosure or in the built-in structure, clear of obstruction.
- Do not use mechanical devices or other means to accelerate the defrosting process, other than those recommended by the manufacturer.
- Do not damage the refrigerant circuit.
- Do not use electrical appliances inside the food storage compartments of the appliance, unless they are of the type recommended by the manufacturer.
- Ice maker kit can be added to some models. See serial tag inside the food compartment of appliance for ice maker kit model information.
- A qualified service technician must install the water line and ice maker. See installation instructions supplied with ice maker kit for complete details.
- Do not locate multiple portable socket-outlets or portable power supplies at the rear of the appliance.
- When positioning the appliance, ensure the supply cord is not trapped or damaged.
- Do not locate multiple portable socket-outlets or portable power supplies at the rear of the appliance.

**SAVE THESE INSTRUCTIONS**

## Proper Disposal of Your Old Refrigerator

### **⚠WARNING**



#### **Tip Over Hazard**

Refrigerator is top heavy and tips easily when not completely installed.

Keep doors taped closed until refrigerator is completely installed.

Use two or more people to move and install refrigerator.

Failure to do so can result in death or serious injury.

**WARNING: Risk of child entrapment. Before you throw away your old refrigerator or freezer:**

- Take off the doors.
- Leave the shelves in place so that children may not easily climb inside.

### **⚠WARNING**

#### **Suffocation Hazard**

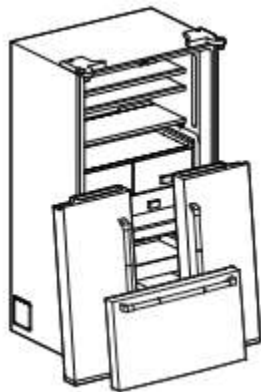
Remove doors or lid from your old appliance.

Failure to do so can result in death or brain damage.

**IMPORTANT:** Child entrapment and suffocation are not problems of the past. Junked or abandoned refrigerators are still dangerous, even if they will sit for “just a few days.” If you are getting rid of your old refrigerator, please follow these instructions to help prevent accidents.

#### **Important information to know about disposal of refrigerants:**

Dispose of refrigerator in accordance with federal and local regulations. Refrigerants must be evacuated by a licensed, EPA-certified refrigerant technician in accordance with established procedures.



## REFRIGERATOR CARE

### Cleaning

### **⚠WARNING**



#### **Explosion Hazard**

**Risk of Fire or Explosion.**

**Flammable Refrigerant Used.**

**Do Not Use Mechanical Devices to Defrost Refrigerator.**

**Do Not Puncture Refrigerant Tubing.**

Both the refrigerator and freezer sections defrost automatically. However, clean both sections about once a month to avoid odor buildup. Wipe up spills immediately.

#### **IMPORTANT:**

- Because air circulates between all sections, any odors formed in one section will transfer to the other. You must thoroughly clean all sections to eliminate odors. To avoid odor transfer and drying out of food, wrap or cover foods tightly.
- Do not use abrasive or harsh cleaners such as window sprays, scouring cleansers, flammable fluids, muriatic acid, cleaning waxes, concentrated detergents, bleaches or cleansers containing petroleum products on doors and cabinet, plastic parts, interior and door liners or gaskets. Do not use paper towels, scouring pads, or other harsh cleaning tools.
- For stainless steel models, stainless steel is corrosion resistant and not corrosion-proof. To help avoid corrosion of your stainless steel, keep your surfaces clean by using the following cleaning instructions.

#### **Cleaning the Touch Screen Display on the Dispenser Panel/Door (on some models):**

1. Make sure the refrigerator is unplugged or the power is disconnected before wiping the screen to avoid unintentionally changing the settings.
2. Mix a solution of mild detergent in warm water. Dampen a soft, lint-free cloth with the solution and gently wipe the screen.  
**NOTE:** Do not spray or wipe liquids directly onto the screen or over-saturate the cloth.
3. Plug in the refrigerator or reconnect power.

#### **Cleaning the Interior:**

**IMPORTANT:** Refrigerator shelves with under-shelf, LED lighting are not dishwasher safe.

1. Unplug the refrigerator or disconnect power.
2. Hand wash, rinse, and dry removable parts and interior surfaces thoroughly. Use a clean sponge or soft cloth and a mild detergent in warm water.
3. Plug in the refrigerator or reconnect power.

## Cleaning the Exterior:

**IMPORTANT:** Damage to smooth finish due to improper use of cleaning products or using non-recommended cleaning products is not covered under the warranty. Sharp or blunt instruments will mar the finish.

1. Unplug the refrigerator or disconnect power.
2. Using a clean sponge or soft cloth and a mild detergent in warm water, wash, rinse, and thoroughly dry stainless steel and painted metal exteriors.

To keep your stainless steel refrigerator looking like new and to remove minor scuffs or marks, it is suggested that you use the manufacturer's approved stainless steel cleaner and polish. This cleaner is for stainless steel parts only. Refer to the Quick Start Guide for ordering information.

**NOTE:** When cleaning stainless steel, always wipe in the direction of the grain to avoid cross-grain scratching.

Do not allow the stainless steel cleaner and polish to come into contact with any plastic parts such as the trim pieces, dispenser covers, or door gaskets. If unintentional contact does occur, clean plastic part with a sponge and mild detergent in warm water. Dry thoroughly with a soft cloth.

3. Plug in refrigerator or reconnect power.

### Style 1: Smooth Door/Painted Metal

DO USE	DO NOT USE
<ul style="list-style-type: none"> <li>Soft, clean cloth</li> </ul>	<ul style="list-style-type: none"> <li>Abrasive cloths</li> <li>Paper towels or newsprint</li> <li>Steel-wool pads</li> </ul>
<ul style="list-style-type: none"> <li>Warm, soapy water with a mild detergent</li> </ul>	<ul style="list-style-type: none"> <li>Abrasive powders or liquids</li> <li>Window sprays</li> <li>Ammonia</li> <li>Acidic or vinegar-based cleaners</li> <li>Oven cleaners</li> <li>Flammable fluids</li> </ul>

**NOTE:** Paper towels scratch and may dull the clear coat of the painted door. To avoid possible damage, use only soft, clean cloths to polish and wipe the door.

### Style 2: Stainless Steel

DO USE	DO NOT USE
<ul style="list-style-type: none"> <li>Soft, clean cloth</li> </ul>	<ul style="list-style-type: none"> <li>Abrasive cloths</li> <li>Paper towels or newsprint</li> <li>Steel-wool pads</li> </ul>
<ul style="list-style-type: none"> <li>Warm, soapy water with a mild detergent</li> </ul>	<ul style="list-style-type: none"> <li>Abrasive powders or liquids</li> <li>Ammonia</li> <li>Citrus-based cleaners</li> <li>Acidic or vinegar-based cleaners</li> <li>Oven cleaners</li> </ul>

DO USE	DO NOT USE
<ul style="list-style-type: none"> <li>For heavy soil, use only a manufacturer's approved stainless steel cleaner and polish</li> </ul>	<ul style="list-style-type: none"> <li>Abrasive powders or liquids</li> <li>Ammonia</li> <li>Citrus-based cleaners</li> <li>Acidic or vinegar-based cleaners</li> <li>Oven cleaners</li> <li>Abrasive cloths</li> <li>Paper towels or newsprint</li> <li>Steel-wool pads</li> </ul>

### NOTES:


- If unintentional contact does occur, clean plastic part with a sponge and mild detergent in warm water. Dry thoroughly with a soft cloth.
- Avoid exposing stainless steel appliances to caustic or corrosive elements such as high-salt, high-moisture, or high-humidity environments. Damage due to exposure to these elements is not covered under the warranty.
- Just because a cleaner is a liquid does not mean it is nonabrasive. Many liquid cleansers formulated to be gentle on tile and smooth surfaces still damage stainless steel.
- When cleaning stainless steel, always wipe in the direction of the grain to avoid cross-grain scratching.
- Citric acid permanently discolors stainless steel. To avoid damaging the finish of your stainless steel refrigerator:
 

**Do not allow these substances to remain on the finish:**

  - Mustard
  - Tomato juice
  - Marinara sauce
  - Citrus-based sauces
  - Citrus-based products

## Condenser Cleaning

⚠ WARNING



Explosion Hazard

Risk of Fire or Explosion due to Puncture of Refrigerant Tubing;

Follow Handling Instructions Carefully.

Flammable Refrigerant Used.

There is no need for routine condenser cleaning in normal home operating environments. If the environment is particularly greasy or dusty or there is significant pet traffic in the home, the condenser should be cleaned every 6 months to ensure maximum efficiency.

**If you need to clean the condenser, please call for service.**

## Changing the Lights

**IMPORTANT:** The LED lights in both the refrigerator and freezer compartments use LED technology. If the lights do not illuminate when the door or drawer is opened, call for assistance or service. Refer to the "Quick Start Guide" for contact information.

# Refrigerator Shelves

## Important information to know about glass shelves and covers:

Do not clean glass shelves or covers with warm water when they are cold. Shelves and covers may break if exposed to sudden temperature changes or impact, such as bumping. Tempered glass is designed to shatter into many small, pebble-size pieces. This is normal. Glass shelves and covers are heavy. Use both hands when removing them to avoid dropping.

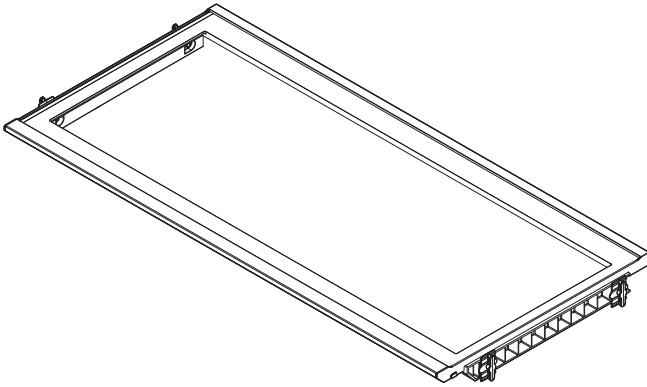
The shelves in your refrigerator are adjustable to match your individual storage needs.

Storing similar food items together in your refrigerator and adjusting the shelves to fit different heights of items will make finding the exact item you want easier. It will also reduce the amount of time the refrigerator door is open, and save energy.

## Full-Width Shelf (on some models)

### To remove and replace the Full width shelf:

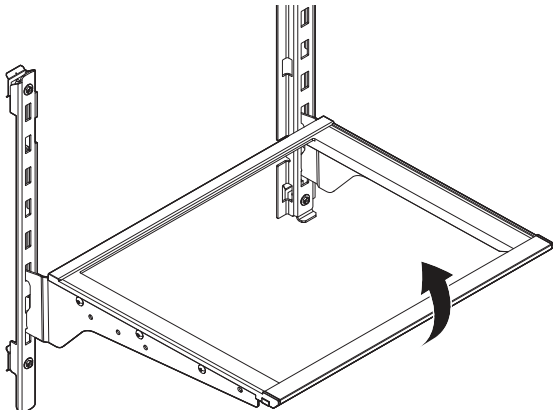
1. Remove items from the shelf.
2. Lift the shelf gently using both hands until it is out of the side supports.
3. Slide the shelf gently out of the Refrigerator. Do not let the shelf touch the side walls of the Refrigerator or the doors.



## Half-Width Shelf (on some models)

### To remove and replace a half width shelf:

1. Remove items from the shelf.
2. Tilt the front of the shelf up. Lift the shelf out of the shelf supports.
3. Reinstall the shelf by guiding the rear shelf hooks into the shelf supports. Tilt the front of the shelf up until the rear shelf hooks go into the shelf supports.
4. Lower the front of the shelf. Make sure the shelf is in the correct position.

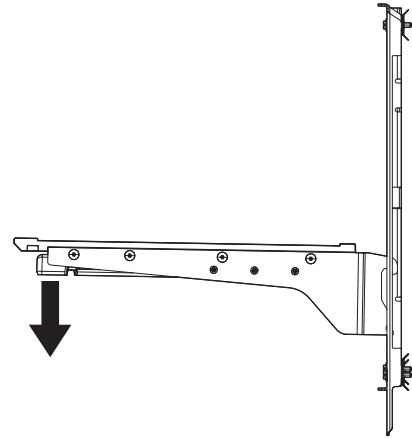


## Nesting Shelf (On some models)

This shelf will expand creating an additional storage area under the shelf.

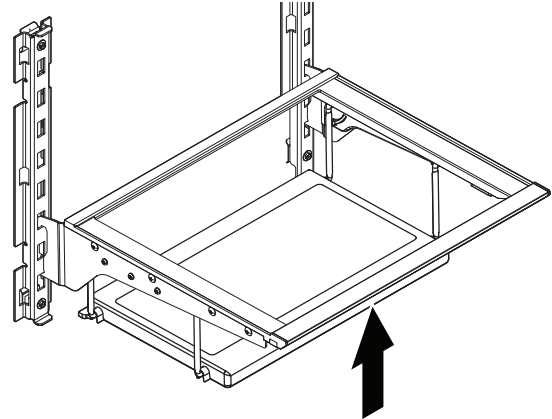
### To expand the shelf:

1. Pull down the lower part of the shelf using your fingers until it is complete down the lower part of the shelf.



### To contract/close the shelf:

1. Remove any food item placed in the lower surface.
2. Push up the lower part of the shelf using your fingers until it is folded back and secured together with the main shelf body.
3. There is a magnet to keep shelf secured in the upper position, the shelf will be secured in place by itself.

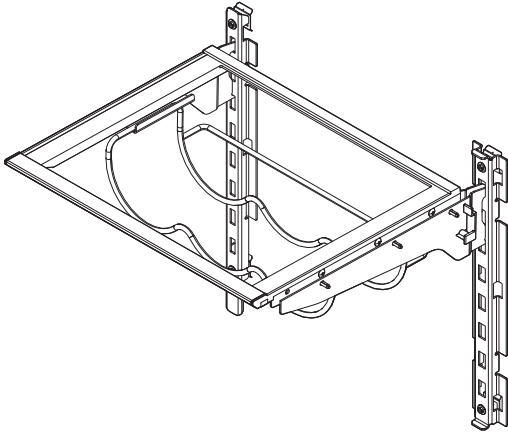


### Wine Rack (on some models)

Under one shelf, there are brackets installed to the supports (one bracket on each support). The wine rack rests in these brackets.

#### To remove and replace the wine rack:

1. Remove the wine rack by lifting it up off the brackets. Press the right-hand side of the rack inward until it is free of its bracket. Lower the right-hand side slightly and disengage the left-hand side from its bracket.
2. Replace the wine rack by inserting the left-hand side into its bracket. Press inward on the right-hand side until it will slide past the bracket edge and set it into its bracket.

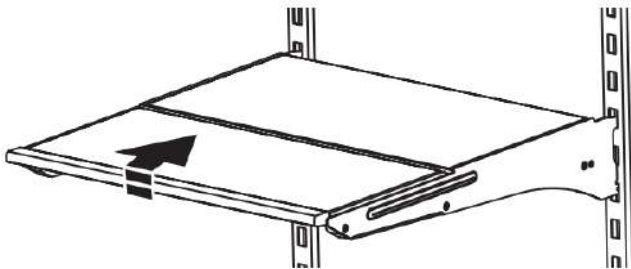


### Tuck/Slide Away Shelf (on some models)

Some shelves will tuck/slide away to create room for taller objects.

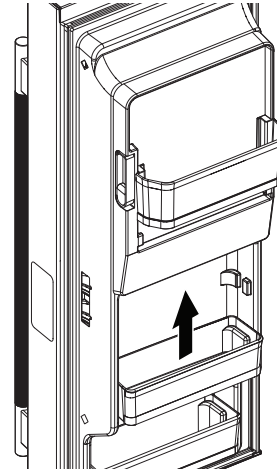
#### To retract and extend the front section of the shelf:

1. To retract the front-section of the shelf, slightly lift up on the front edge and push the adjustable portion of the shelf back toward the rear of the refrigerator.
2. Extend the front of the shelf by pulling the retracted portion of the shelf outward until it is fully extended.



### Refrigerator Door Bins

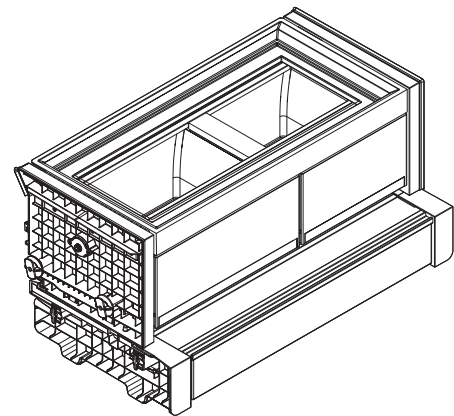
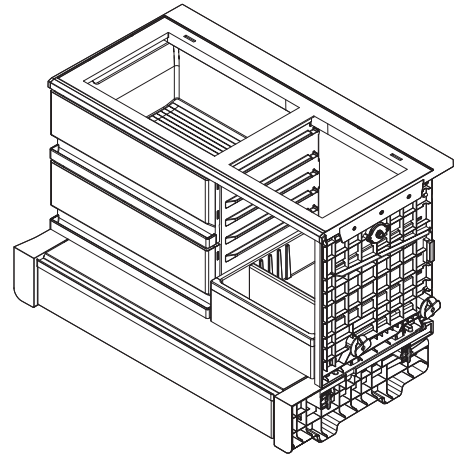
The bins on your refrigerator door are adjustable to meet your individual storage needs.



### Crisper and Pantry Drawers

#### To remove and replace the drawers:

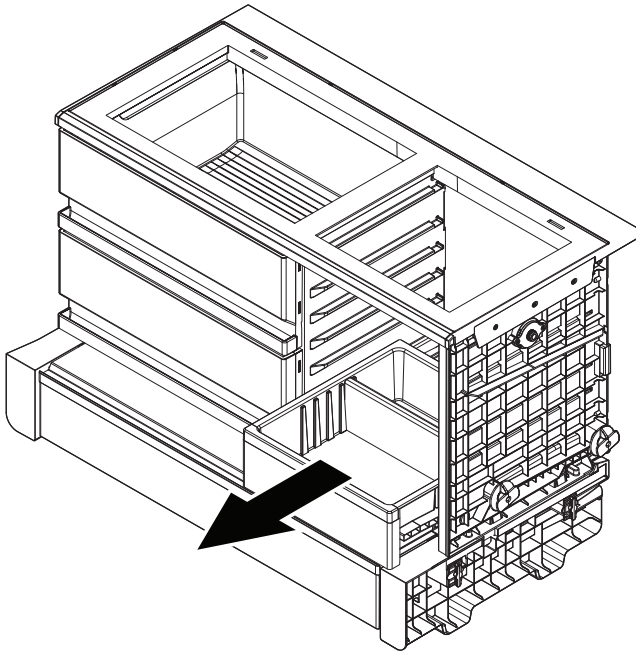
1. Grasp the handle at the bottom of the drawer and slide the drawer straight out to the stop. Lift the drawer off the bottom guide.
2. Replace the drawer by placing it on the bottom drawer guide and pushing it past the drawer stop into position.



### **Pull Out Tray (available on some models)**

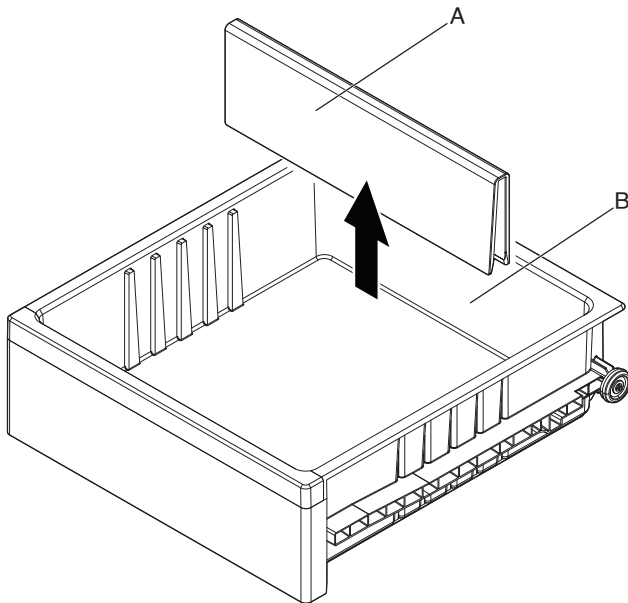
#### **To remove and replace the pull-out tray:**

1. Pull the tray to the fully open position or when it stops.
2. Lift up and out of gliders or rollers toward the front of the refrigerator.
3. Replace the tray by placing it on the bottom tray guide and pushing it past the tray stop into position.



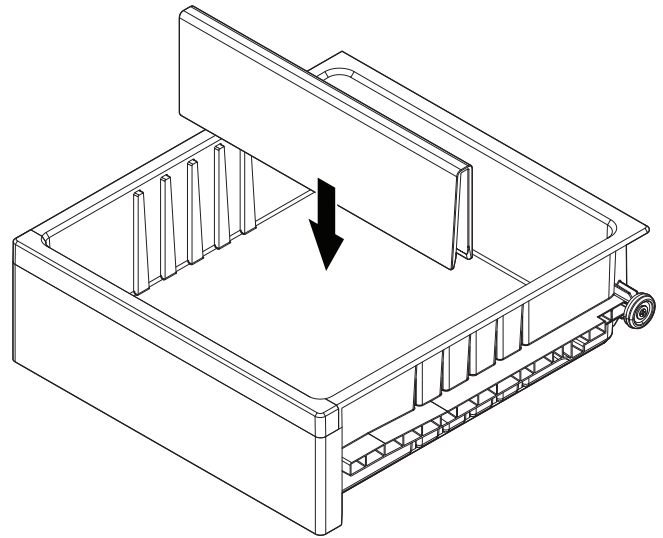
#### **To remove or replace pull out tray divider:**

1. The tray divider can be removed or replaced in different positions.
2. Lift the divider to remove it from the locating ribs.



A. Divider  
B. Pull out tray

3. Put the divider in the new position. Push the divider down until it is secure.

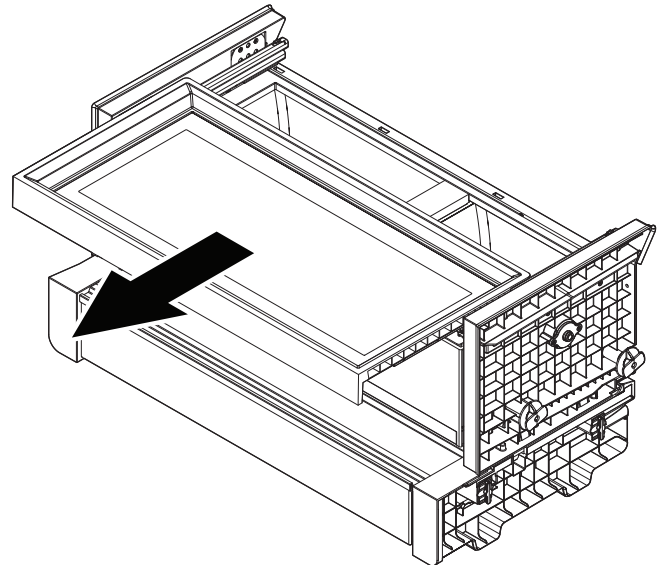


A. Divider  
B. Pull out tray

### **Pull Out Tray (available on some models):**

#### **To remove and replace the pull-out tray:**

1. Pull the tray to the fully open position or when it stops.
2. Lift up and out of gliders or rollers toward the front of the refrigerator.
3. Replace the tray by placing it on the bottom tray guide and pushing it past the tray stop into position.

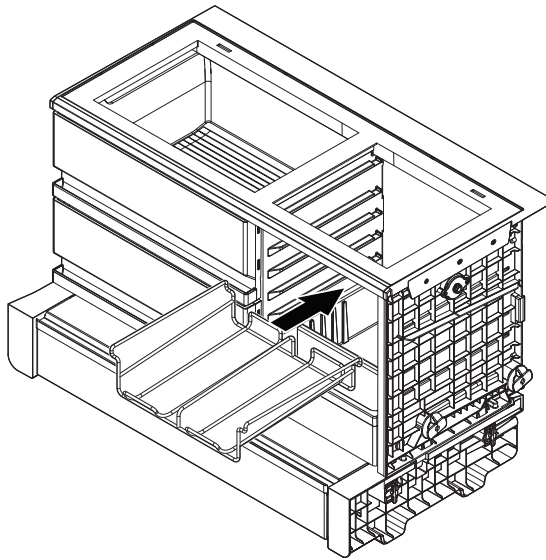


### **Pull Out Tray Can Rack (available for some models as accessory only):**

#### **To remove and replace the pull out tray can rack:**

1. The crisper tray has supports on its side walls for the can rack.
2. Put the can rack on the side supports.

3. Make sure the can rack is secure. You can now put cans on the rack.



### Crisper(s) Cover

#### To Remove the Crisper(s) Cover:

1. Remove the crisper pan, platter pocket, and crisper glass before removing the crisper.
2. Hold the glass, insert firmly with one hand, and press up in the center of the glass insert until it rises above the plastic frame. Slowly slide the glass insert forward to remove.
3. Lift the cover frame and remove it.

#### To replace crisper(s) cover:

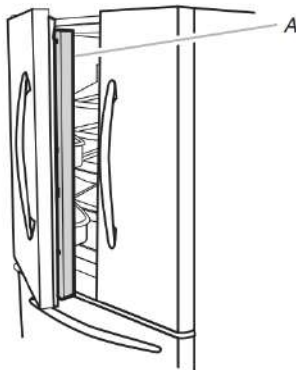
1. Fit the back of the cover frame into the supports on the side walls of the refrigerator. Lower the front of the cover frame into place.
2. Slide the rear of the glass insert into the cover frame and lower the front into place.

## Opening and Closing Doors

There are two refrigerator compartment doors. The doors can be opened and closed either separately or together. On some models, there is a, automatic closing mechanism so the door(s) will not unintentionally be left open. If a door is open at a 40° or smaller angle, the door will automatically, softly close.

There is a vertically-hinged seal on the left refrigerator door.

- When the left-hand door is opened, the hinged seal automatically folds inward so that it is out of the way.
- When both doors are closed, the hinged seal automatically forms a seal between the two doors.

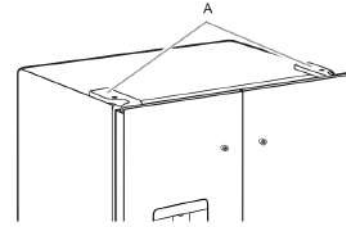


A. Hinged seal

The refrigerator compartment door switch is located in the top left and right hinge cover. The freezer compartment door switch is located in the right side of freezer side adapter.

- The door switch uses magnet to sense door opening/closing.
- Ensure there are no magnet or electronic devices (Speaker, CoolVox®, etc) within 3 inches of the hinge cap and freezer right side adapter.

**NOTE:** The light and internal user interface (UI) will not turn on if the door opening is not detected.



A. Hinged cover

## Vacation and Moving Care

### Vacation mode

#### If You Choose to Leave the Refrigerator On While You're Away:

1. Use up any perishables and freeze other items.
2. If your refrigerator has an automatic ice maker, and is connected to the household water supply, turn off the water supply to the refrigerator. Property damage can occur if the water supply is not turned off.
3. If you have an automatic ice maker, turn off the ice maker.
 

**NOTE:** Depending on your model, automatic ice maker might be located in the freezer compartment and/or in the refrigerator left door.

  - To turn off the ice maker in the freezer compartment, press Off switch.
  - To turn off automatic ice maker in refrigerator door, turn it off using HMI. See "Water and Ice Dispensers."
4. Empty the ice bin.

#### Models with Vacation Mode Feature

- Turn on Vacation mode. See the "Quick Start Guide" for details.

**NOTE:** Activating Vacation mode does not turn off the ice maker.

#### If You Choose to Turn Off the Refrigerator Before You Leave:

1. Remove all food from the refrigerator.
2. If your refrigerator has an automatic ice maker:
  - Turn off the water supply to the ice maker at least one day ahead of time.
  - When the last load of ice drops, press the switch to OFF position, either on the ice maker or UI control, depending on your model.
3. Empty the ice bin.
4. Turn off the Temperature control(s). See the "Quick Start Guide."
5. Clean refrigerator, wipe it, and dry well.
6. Tape rubber or wood blocks to the tops of both doors to prop them open far enough for air to get in. This stops odor and mold from building up.

## Moving

When you are moving your refrigerator to a new home, follow these steps to prepare it for the move.

1. If your refrigerator has an automatic ice maker:
  - Turn off the water supply to the ice maker at least one day ahead of time.
  - Disconnect the water line from the back of the refrigerator.
  - When the last load of ice drops, press the switch to OFF position, either on the ice maker or UI control, depending on your model.
2. Remove all food from the refrigerator and freezer.
3. Empty the ice bin.
4. Turn off the Temperature control(s). See the "Quick Start Guide."
5. Unplug refrigerator.
6. Clean, wipe, and dry thoroughly.
7. Take out all removable parts, wrap them well, and tape them together so they don't shift and rattle during the move.
8. Depending on the model, raise the front of the refrigerator so it rolls more easily or raise the leveling screws so they don't scrape the floor. See "Adjust the Door(s)" or "Door Closing and Door Alignment."
9. Tape the doors closed and tape the power cord to the back of the refrigerator.

When you get to your new home, put everything back and refer to the "Installation Instructions" section for preparation instructions. Also, if your refrigerator has an automatic ice maker, remember to reconnect the water supply to the refrigerator.

## Sabbath Mode

Your refrigerator is equipped with the Sabbath Mode feature, which is designed for those whose religious observances require turning off the lights and ice maker.

By selecting this feature:

- The temperature set points and Deli Pan settings remain unchanged.
- LEDs from the electronic controls will not display.
- The Sabbath button will be the only light displaying.
- Ice and Water will not dispense.
- No alarm will ring.
- Interior lights will turn off.
- The product will not change its behavior by opening the door.

For most efficient refrigerator operation, it is recommended to exit Sabbath mode when it is no longer required.

To fully activate Sabbath Mode, you must follow the instructions below for the control panel.

**IMPORTANT:** If you do not activate Sabbath Mode in both ways listed below, some functions you wish to disable will remain active.

### CONTROL PANEL

In Sabbath Mode, the temperature set points remain unchanged and the interior lights turn off.

1. To turn ON the Sabbath Mode, Press the Sabbath button on the dispensing or internal controls and hold for 3 seconds.
2. Press the Sabbath button again for 3 seconds to turn OFF Sabbath Mode. Turn Ice Maker back ON.

**NOTE:** If a power outage occurs while in Sabbath Mode the appliance will remain in Sabbath Mode when power returns.

# INSTALLATION INSTRUCTIONS

## Unpack the Refrigerator

### **⚠ WARNING**

#### **Excessive Weight Hazard**

**Use two or more people to move and install or uninstall appliance.**

**Failure to do so can result in back or other injury.**

### Refrigerator Delivery

- A minimum door opening of 30" (762 mm) is required. If door opening is 36" (914 mm) or less, then removal of doors, drawer, and hinges is required.
- Cart the refrigerator from the side for all door openings.

### Remove the Packaging

- The product is in the cardboard box. It has written instructions - how to unpack the refrigerator. Follow these instructions.
- Remove tape and glue residue from surfaces before turning on the refrigerator. Rub a small amount of liquid dish soap over the adhesive with your fingers. Wipe with warm water and dry.
- Do not use sharp instruments, rubbing alcohol, flammable fluids, or abrasive cleaners to remove tape or glue. These products can damage the surface of your refrigerator. For more information, see "Refrigerator Safety."
- Dispose of/recycle all packaging materials.

### When Moving Your Refrigerator:

Your refrigerator is heavy. When moving the refrigerator for cleaning or service, be sure to cover the floor with cardboard or hardboard to avoid floor damage. Always pull the refrigerator straight out when moving it. Do not wiggle or "walk" the refrigerator when trying to move it, as floor damage could occur.

### Clean Before Using


After you remove all of the packaging materials, clean the inside of your refrigerator before using it. See the cleaning instructions in "Refrigerator Care."

### Important information to know about glass shelves and covers:

Do not clean glass shelves or covers with warm water when they are cold. Shelves and covers may break if exposed to sudden temperature changes or impact, such as bumping. Tempered glass is designed to shatter into many small, pebble-size pieces. This is normal. Glass shelves and covers are heavy. Use both hands when removing them to avoid dropping.

# Location Requirements

**⚠ WARNING**



**Explosion Hazard**

**Keep flammable materials and vapors, such as gasoline, away from appliance.**

**Use nonflammable cleaner.**

**Failure to do so can result in death, explosion, or fire.**

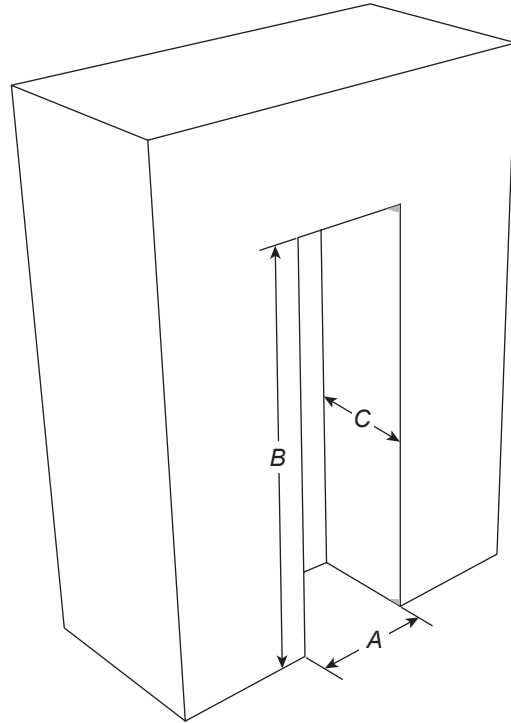
**IMPORTANT:** This appliance is intended to be used indoor for household and similar applications such as:

- Farm houses and by clients in hotels, motels and other residential type environments.
- Bed and breakfast type environments.
- Catering and similar non-retail applications.

**NOTE:** If the manufacturer wants to limit the use of the appliance to less than the above, this has to be clearly stated in the instructions.

To ensure proper ventilation for your refrigerator, allow for 3/16" (4.8 mm) of space on each side and 1/4" (6.4 mm) at the top. Allow for 1" (25.4 mm) of space behind the refrigerator. If your refrigerator has an ice maker, allow extra space at the back for the water line connections. When installing your refrigerator next to a fixed wall, leave a 3 3/4" (95 mm) minimum space between the refrigerator and wall to allow for the door to swing open.

**NOTE:** This refrigerator is intended for use in a location where the temperature ranges from a minimum of 50°F (10°C) to a maximum of 110°F (43°C). The preferred room temperature range for optimum performance, which reduces electricity usage and provides superior cooling, is between 60°F (15°C) and 90°F (32°C). It is recommended that you do not install the refrigerator near a heat source, such as an oven or radiator.



SKU	Width (A)	Height (B)	Depth (C)
KRFC236S*; WRFC3036R*; WRFC5036R*; WRFC5236R*; WRMC5036R*; WRMC7036R*; WRFC7036R*; KRFC636S*; KRFC536S*	36" (914.6 mm)	70 <sup>3</sup> / <sub>16</sub> " (1782.4 mm)	30 <sup>1</sup> / <sub>2</sub> " (774 mm)
KRFC336S*; JFFCCI72S*; KRFC936S*; KRFC736S*; JFFCCE72S*		72 <sup>1</sup> / <sub>8</sub> " (1832.4 mm)	

# Electrical Requirements

## **⚠ WARNING**



### Electrical Shock Hazard

- Plug into a grounded 3 prong outlet.**
- Do not remove ground prong.**
- Do not use an adapter.**
- Do not use an extension cord.**
- Failure to follow these instructions can result in death, fire, or electrical shock.**

Before you move your refrigerator into its final location, it is important to make sure you have the proper electrical connection.

If the supply cord is damaged, it must be replaced by the manufacturer or its service agent or a similarly qualified person. Do not use a cord that shows cracks or abrasion damage along its length or at either the plug or connector end.

### Recommended Grounding Method

A 115 V, 60 Hz AC-only 15 A or 20 A fused, grounded electrical supply is required. It is recommended that a separate circuit serving only your refrigerator and approved accessories be provided. Use an outlet that cannot be turned off by a switch. Do not use an extension cord.

**IMPORTANT:** If this product is connected to a GFCI (Ground Fault Circuit Interrupter) protected outlet, nuisance tripping of the power supply may occur, resulting in loss of cooling. Food quality and flavor may be affected. If nuisance tripping has occurred, and if the condition of the food appears poor, dispose of the food.

**NOTE:** Before performing any type of installation or cleaning, disconnect the refrigerator from the electrical source. When you are finished, reconnect the refrigerator to the electrical source and set to the desired setting. See the "Quick Start Guide".

## Water Supply Requirements

Gather the required tools and parts before starting installation. Read and follow the instructions provided with any tools listed here.

### Tools Needed:

- Flat-blade screwdriver
- 7/16" and 1/2" Open-end or two adjustable wrenches
- Connect to potable water supply only.  
Do not use with water that is microbiologically unsafe or of unknown quality without adequate disinfection before or after the system. Systems certified for cyst reduction may be used on disinfected waters that may contain filterable cysts.
- All installations must meet local plumbing code requirements.
- Do not use a piercing-type or 3/16" (4.76 mm) saddle valve which reduces water flow and clogs more easily.
- Use copper or PEX tubing and check for leaks. Install copper or PEX tubing only in areas where the household temperatures will remain above freezing.

- For models with water filters, the disposable water filter should be replaced at least every 6 months.

### Water Pressure

A cold water supply with water pressure of between 20 psi and 145 psi (138 kPa and 1000 kPa) is required to operate the water dispenser and ice maker. If you have questions about your water pressure, call a licensed, qualified plumber.

**NOTE:** If the water pressure is less than what is required, the flow of water from the water dispenser could decrease or ice cubes could be hollow or irregular shaped.

### Reverse Osmosis Water Supply

**IMPORTANT:** The pressure of the water supply coming out of a reverse osmosis system going to the water inlet valve of the refrigerator needs to be between 20 psi and 145 psi (138 kPa and 1000 kPa).

If a reverse osmosis water filtration system is connected to your cold water supply, the water pressure to the reverse osmosis system needs to be a minimum of 40 psi to 60 psi (276 kPa to 414 kPa).

If the water pressure to the reverse osmosis system is less than 40 psi to 60 psi (276 kPa to 414 kPa):

- Check to see whether the sediment filter in the reverse osmosis system is blocked. Replace the filter if necessary.
- Allow the storage tank on the reverse osmosis system to refill after heavy usage. The tank capacity could be too small to keep up with the requirements of the refrigerator.  
**NOTE:** Faucet-mounted reverse osmosis systems are not recommended.
- If your refrigerator has a water filter, it may further reduce the water pressure when used in conjunction with a reverse osmosis system. Remove the water filter. See "Filters And Accessories."

If you have questions about your water pressure, call a licensed, qualified plumber.

## Connect the Water Supply

Read all directions before you begin.

### IMPORTANT:

- Plumbing shall be installed in accordance with the International Plumbing Code and any local codes and ordinances.
- The gray water tubing on the back of the refrigerator (which is used to connect to the household water line) is a PEX (cross-linked polyethylene) tube. Copper and PEX tubing connections from the household water line to the refrigerator are acceptable, and will help avoid off-taste or odor in your ice or water. Check for leaks. If PEX tubing is used instead of copper, we recommend the following part numbers: W10505928RP (7 ft [2.14 m] jacketed PEX), 8212547RP (5 ft [1.52 m] PEX), or W10267701RP (25 ft [7.62 m] PEX).
- Install tubing only in areas where temperatures will remain above freezing.
- Connect to a potable water supply only.  
Do not use with water that is microbiologically unsafe or of unknown quality without adequate disinfection before or after the system. Systems certified for cyst reduction may be used on disinfected waters that may contain filterable cysts.

### Tools Needed:

Gather the required tools and parts before starting installation.

- Flat-blade screwdriver
- 7/16" and 1/2" Open-end or two adjustable wrenches
- 1/4" Nut driver
- 1/4" Drill bit
- Cordless drill

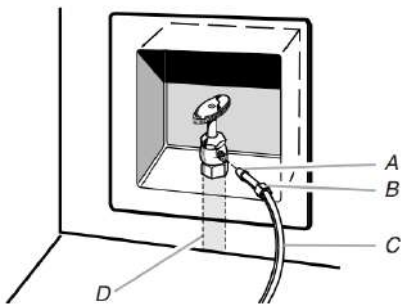
**NOTE:** Your refrigerator dealer has a kit available with a 1/4" (6.35 mm) saddle-type shut-off valve, a union, and copper or PEX tubing. Before purchasing, make sure a saddle-type valve complies with your local plumbing codes. Do not use a piercing-type or 3/16" (4.76 mm) saddle valve which reduces water flow and clogs more easily.

### Connect to Water Line

**IMPORTANT:** If you turn on the refrigerator before the water line is connected, turn off the ice maker.

1. Unplug refrigerator or disconnect power.
2. Turn off main water supply. Turn on nearest faucet long enough to clear line of water.
3. Use a quarter-turn shut-off valve or the equivalent, served by a 1/2" copper or PEX household supply line.

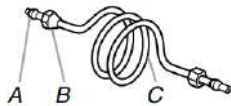
**NOTE:** To allow sufficient water flow to the refrigerator, a minimum 1/2" size copper or PEX household supply line is recommended.



A. Bulb  
B. Nut  
C. Copper or PEX tubing (to refrigerator)  
D. Household supply line (1/2" minimum)

4. Now you are ready to connect the copper or PEX tubing to the shut-off valve. Use 1/4" (6.35 mm) O.D. (Outside Diameter) soft copper or PEX tubing to connect the shut-off valve and the refrigerator.

- Ensure that you have the proper length needed for the job. Be sure both ends of the copper tubing are cut square.
- Slip compression sleeve and compression nut onto copper tubing as shown. (PEX tubing has compression sleeves and compression nuts preinstalled.) Insert end of tubing into outlet end squarely as far as it will go. Screw compression nut onto outlet end with adjustable wrench. Do not overtighten.



A. Compression sleeve  
B. Compression nut  
C. Copper or PEX tubing

5. Place the free end of the tubing into a container or sink, and turn on main water supply to flush out tubing until water is clear. Turn off shut-off valve on the water pipe.

**NOTE:** Always drain the water line before making the final connection to the inlet of the water valve, to avoid possible water valve malfunction.

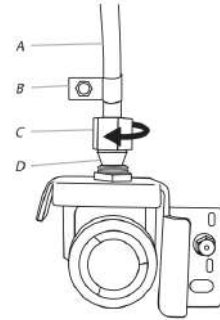
6. Bend the copper or PEX tubing to meet the water line inlet, which is located on the back of the refrigerator cabinet. Leave a coil of copper or PEX tubing to allow the refrigerator to be pulled out of the cabinet or away from the wall for service.

### Connect to Refrigerator

Depending on your model, the water line may come down from the top or up from the bottom. Follow the connection instructions for your model.

#### Style 1

1. Remove plastic cap from water valve inlet port. Attach the copper or PEX tube to the valve inlet using a compression nut and sleeve as shown. Tighten the compression nut. Do not overtighten. Confirm copper or PEX tubing is secure by pulling on tubing.
2. Create a service loop with the copper tubing. Avoid kinks when coiling the tubing. Secure copper or PEX tubing to refrigerator cabinet with a "P" clamp.



A. Copper or PEX tubing  
B. "P" clamp  
C. Compression nut  
D. Compression sleeve

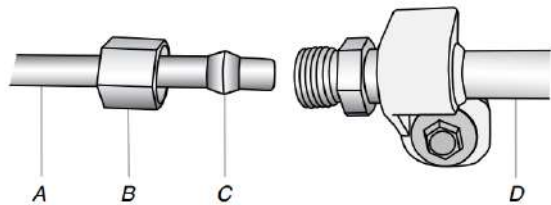
3. Turn on water supply to refrigerator and check for leaks. Correct any leaks.
4. If ice is desired, turn on the ice maker.

**NOTE:** Allow 24 hours to produce the first batch of ice. Discard the first three batches of ice produced. Allow three days to completely fill the ice storage bin.

#### Style 2

1. Unplug refrigerator or disconnect power.
2. Remove and discard the short, black plastic part from the end of the water line inlet.
3. Thread the nut onto the end of the tubing. Tighten the nut by hand. Then tighten it with a wrench two more turns. Do not overtighten.

**NOTE:** To avoid rattling, be sure the copper tubing does not touch the cabinet's side wall or other parts inside the cabinet.




A. Household water line  
B. Nut (purchased)  
C. Ferrule (purchased)  
D. Refrigerator water tubing

4. Install the water supply tube clamp around the water supply line to reduce strain on the coupling.
5. Turn shut-off valve on.
6. Check for leaks. Tighten any connections (including connections at the valve) or nuts that leak.

- On some models, the ice maker is equipped with a built-in water strainer. If your water conditions require a second water strainer, install in the 1/4" (6.35 mm) water line at either tube connection. Obtain a water strainer from your appliance dealer.

## Complete the Installation

⚠ WARNING



Electrical Shock Hazard

**Plug into a grounded 3 prong outlet.**

**Do not remove ground prong.**

**Do not use an adapter.**

**Do not use an extension cord.**

**Failure to follow these instructions can result in death, fire, or electrical shock.**

- Plug into a grounded 3 prong outlet.  
**NOTE:** Allow 24 hours to produce the first batch of ice. Discard the first three batches of ice produced. Allow 3 days to completely fill the ice storage bin.
- Flush the water system. See "Water and Ice Dispensers."

## Install Produce Preserver (available as an accessory only)

Your refrigerator's accessory packet includes a Produce Preserver, which should be installed prior to use. On some models, the Produce Preserver is already installed at the factory. To order a replacement produce preserver, use part number **W10346771**.

The Produce Preserver absorbs ethylene, allowing the ripening process of many produce items to slow down. As a result, certain produce items will stay fresh longer.

Ethylene production and sensitivity varies depending on the type of fruit or vegetable. To preserve freshness, it is best to separate produce with sensitivity to ethylene from fruits that produce moderate to high amounts of ethylene.

	Sensitivity to Ethylene	Ethylene Production
Apples	High	Very High
Asparagus	Medium	Very Low
Berries	Low	Low
Broccoli	High	Very Low
Cantaloupe	Medium	High
Carrots	Low	Very Low
Citrus Fruit	Medium	Very Low
Grapes	Low	Very Low
Lettuce	High	Very Low
Pears	High	Very High
Spinach	High	Very Low

## Installing the Produce Preserver

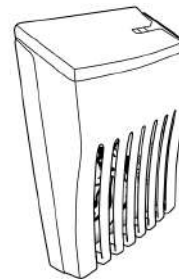
**CAUTION: IRRITANT MAY IRRITATE EYES AND SKIN. DANGEROUS FUMES FORM WHEN MIXED WITH OTHER PRODUCTS.**

Do not mix with cleaning products containing ammonia, bleach, or acids. Do not get in eyes, on skin or clothing. Do not breathe dust. Keep out of reach of children.

**FIRST AID TREATMENT:** Contains potassium permanganate. If swallowed, call a Poison Control Center or doctor immediately. Do not induce vomiting. If in eyes, rinse with water for 15 minutes. If on skin, rinse with water.

### Style 1—Located Inside the Refrigerator:

- Find the Produce Preserver housing inside the refrigerator.



- Lift up on the housing to remove it from the mounting tab.
- Open the housing by pulling up and out on the back of the top of the housing.
- Remove the Produce Preserver pouches from the packaging. Place them into the housing then snap housing back together.  
**NOTE:** For best performance, always use two pouches.
- Adhere the Produce Preserver housing to the back wall of the crisper drawer according to the instructions included in the package.
- Place housing back on mounting tab.

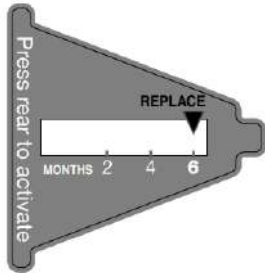
### Style 2—Located in Crisper or Refrigerator Drawers:

For your convenience, the suction-mounted produce preserver can be installed in either the crisper or the refrigerated drawers.

- Wash the interior of a drawer with a solution of mild dish soap and warm water and dry thoroughly.
- Find the package containing the Produce Preserver inside the refrigerator and install the Produce Preserver into the drawer, according to the instructions provided in the package.

## Installing the Status Indicator

The Produce Preserver comes with a status indicator, which should be activated and installed at the same time the pouch is installed.



1. Place the indicator facedown on a firm, flat surface.
2. Apply pressure to the bubble on the back of the indicator, until the bubble pops to activate the indicator.
3. Slide open the cap on the Produce Preserver housing.
4. Place the indicator in the top of the housing, facing outward.
5. Slide the cap closed, and check that the indicator is visible through the rectangular hole in the cap.

**NOTE:** The cap will not close easily if the indicator's rear bubble has not been popped.

## Replacing the Produce Preserver Pouches

The disposable pouches should be replaced every 6 months, when the status indicator has completely changed from white to red.

To order replacements, see the contact information in the Quick Start Guide. Order part number **W10346771A** or **FRESH1**.

1. Remove the used pouches from the produce preserver housing.
2. Remove the used status indicator.
3. Install the new pouches and status indicator using the instructions in the previous sections or instructions included in the replacement packets.

# REFRIGERATOR FEATURES

## Using the Controls

**⚠ WARNING**

**Electrical Shock Hazard**

**Plug into a grounded 3 prong outlet.**

**Do not remove ground prong.**

**Do not use an adapter.**

**Do not use an extension cord.**

**Failure to follow these instructions can result in death, fire, or electrical shock.**

**⚠ WARNING**

**Explosion Hazard**

**Keep flammable materials and vapors, such as gasoline, away from appliance.**

**Use nonflammable cleaner.**

**Failure to do so can result in death, explosion, or fire.**



### Turn Sound Notifications On/Off

This feature controls the audible notifications for the product.

#### To Turn Sound Notifications On/Off:

- Press and hold the Cubed Ice and Crushed Ice buttons simultaneously for 3 seconds.

### Change Water Dispense Volume Unit

This feature lets you change the unit for the water dispense volume display between ounces (oz) and liters (L).

The factory default unit for water dispense volume is ounces (oz).

#### To change from ounces (oz) to liters (L):

- Press and hold the Mode button and the Refrigerator button at the same time for 3 seconds.

The water dispense volume unit display will change from oz to L.

## Calibrate Measured Fill

Household water pressure may affect the accuracy of the Measured Fill feature. For optimum performance of your water dispenser, you must first calibrate Measured Fill.

**NOTE:** Flush the water system before you calibrate Measured Fill.

### Calibration Procedure

1. Place a measuring cup on the dispenser tray in the center, in front of the water dispenser paddle.
2. Press and hold the water cup icon button for 3 seconds.
3. The system enters calibration mode. The Calibration icon illuminates and stays lit while you calibrate the Measured Fill feature.
4. Press and release the water dispenser paddle to dispense water to the cup fill line in the measuring cup.  
**NOTE:** If the cup overfills or water spills, empty the cup. Press Back to start the calibration procedure again.
5. When you have dispensed 1 cup of water correctly, press the water cup icon button. This confirms the calibration.
6. When the calibration is confirmed, the icons will turn off. The display will return to the home screen.

## Change Temperature Unit

This feature lets you change the displayed temperature unit between Fahrenheit (°F) and Celsius (°C).

The factory default temperature unit is Fahrenheit (°F).

### To change from Fahrenheit (°F) to Celsius (°C):

- Press and hold the Freezer button and the Mode button at the same time for 3 seconds.

The temperature unit display will change from °F to °C.

## Showroom Mode

Showroom Mode turns off the cooling system in the product. This mode also stops the ice maker and the water dispenser.

**NOTE:** Do not use showroom mode for normal household use. This mode is for retail display only. When showroom mode is active, the product will not cool, make ice, or dispense water.

### To turn showroom mode On/Off:

- Press and hold the Freezer button and the Refrigerator button at the same time for 3 seconds.
- When Showroom Mode is active, the “Showroom” icon will light up.
- When Showroom Mode is not active, the “Showroom” icon will turn off.

## Wi-Fi

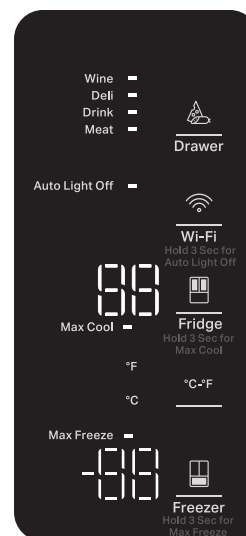
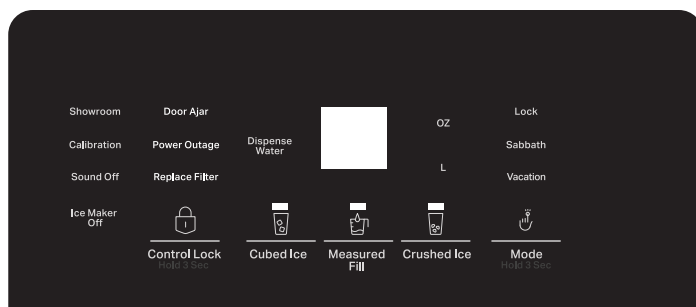
Wi-Fi connectivity allows your Smart Refrigerator to connect to the Internet and interact with the refrigerator from your smartphone or mobile device. This connection opens up several Smart options to you — options intended to save you valuable time and energy.

- Press the Wi-Fi button to activate the Wi-Fi feature.

### Whirlpool App Installation and Setup:

1. Download the Whirlpool app from your device’s app store.
2. Install the app.
3. Open the app and follow the steps in the app to make a user account.
4. Follow the steps in the app to connect your appliance

**NOTE:** App features and functionality subject to change. Data charges can apply. Subject to Terms of Service available on the website [www.whirlpool.com/connect](http://www.whirlpool.com/connect).



## Turn Sound Notifications On/Off

This feature controls the audible notifications for the product.

### To Turn Sound Notifications On/Off:

- Press and hold the Cubed Ice and Mode buttons simultaneously for 3 seconds.

## Change Water Dispense Volume Unit

This feature lets you change the unit for the water dispense volume display between ounces (oz) and liters (L).

The factory default unit for water dispense volume is ounces (oz).

### To change from ounces (oz) to liters (L):

- Press and hold the Mode button and the Crushed Ice button at the same time for 3 seconds.

The water dispense volume unit display will change from oz to L.

## Calibrate Measured Fill

Household water pressure may affect the accuracy of the Measured Fill feature. For optimum performance of your water dispenser, you must first calibrate Measured Fill.

**NOTE:** Flush the water system before you calibrate Measured Fill.

### Calibration Procedure

1. Place a measuring cup on the dispenser tray in the center, in front of the water dispenser paddle.
2. Press and hold the Measure Fill button for 3 seconds.
3. The system enters calibration mode. The Calibration icon illuminates and stays lit while you calibrate the Measured Fill feature.
4. Press and release the water dispenser paddle to dispense water to the cup fill line in the measuring cup.  
**NOTE:** If the cup overfills or water spills, empty the cup. Press Back to start the calibration procedure again.
5. When you have dispensed 1 cup of water correctly, press the Measure Fill button. This confirms the calibration.

6. After the Measure Fill calibration is confirmed, the icons will turn off. The display will return to the home screen.

## Change Temperature Unit

This feature lets you change the displayed temperature unit between Fahrenheit (°F) and Celsius (°C).

The factory default temperature unit is Fahrenheit (°F).

### To change from Fahrenheit (°F) to Celsius (°C):

- On the side of the refrigerator door control panel, tap the °C-°F button. This will change the temperature display between Celsius and Fahrenheit.
- The icon for the selected temperature unit will light up next to the button.

## Door In Door - Auto Lights (on some models)

The Auto light feature automatically turns on the lights in the RC (Refrigerator Compartment). The lights turn on when the sensor detects a person or a pet near the product. The sensor makes no distinction between a person and a pet.

The Auto light feature is ON by default when you receive the product.

### To Turn the Auto light Feature On/Off:

- Press and hold the Drawer button for 3 seconds.
- Observe the Auto light indicator to know the current state:  
When the Auto light feature is OFF, the Auto light indicator is RED.  
When the Auto light feature is ON, the RED Auto light indicator is OFF. (The indicator turns off when the feature is active.)

## Showroom Mode

Showroom Mode turns off the cooling system in the product. This mode also stops the ice maker and the water dispenser.

**NOTE:** Do not use showroom mode for normal household use. This mode is for retail display only. When showroom mode is active, the product will not cool, make ice, or dispense water.

### To turn showroom mode On/Off:

- Press and hold the Control Lock button and the Mode button at the same time for 3 seconds.
- When Showroom Mode is active, the “Showroom” icon will light up.
- When Showroom Mode is not active, the “Showroom” icon will turn off.

## Wi-Fi

Wi-Fi connectivity allows your Smart Refrigerator to connect to the Internet and interact with the refrigerator from your smartphone or mobile device. This connection opens up several Smart options to you — options intended to save you valuable time and energy.

- Press the Wi-Fi button to activate the Wi-Fi feature.

### KitchenAid / JennAir App Installation and Setup:

1. Download the KitchenAid or JennAir app from your device’s app store.
2. Install the app.
3. Open the app and follow the steps in the app to make a user account.
4. Follow the steps in the app to connect your appliance

**NOTE:** App features and functionality subject to change. Data charges can apply. Subject to Terms of Service available on the website:

- KitchenAid brand models: [www.kitchenaid.com/connect](http://www.kitchenaid.com/connect).
- JennAir brand models: [www.jennair.com/connect](http://www.jennair.com/connect).

## Measured Fill Dispense

### KitchenAid / JennAir App Installation and Setup:

1. Tap the Measured Fill button. This will open the measured fill menu.
2. The screen will show the volume options you can dispense.
3. Tap the button to change the dispense volume to 8, 12, 16, 24, or 32 oz.
4. Finally, tap the “Dispense Water” button to start dispensing.

## Internal Pantry Temperature Control (on some models)

To activate Temperature mode for Pantry, touch Pantry and toggle through 4 optional temperature settings: Meat, Drink, Deli, and Wine. The display will show the temperature set point (Meat/Drink/Deli/Wine) of the selected setting for the Pantry.

- MEAT setting is coldest setting and can be used for defrosting frozen items that need defrosting in the refrigerator.
- Drink setting is used to store drinks like soda, water bottles, etc.
- DELI setting is used for Deli items and cheeses or non produce items.
- Wine setting is warmest setting ideal for wine storage.

## External Pantry Temperature Control (only on 4 Door French Door models)

This External Pantry compartment is a convertible compartment that can be used either as Fresh food storage or Frozen food storage.

To activate Temperature mode for Pantry, touch Pantry and toggle through 4 optional temperature settings: Meat, Drink, Deli, and Wine. The display will show the temperature set point (Meat/Drink/Deli/Wine) of the selected setting for the Pantry.

- MEAT setting is coldest setting and can be used for defrosting frozen items that need defrosting in the refrigerator.
- Drink setting is used to store drinks like soda, water bottles, etc.
- DELI setting is used for Deli items and cheeses or non produce items.
- Wine setting is warmest setting ideal for wine storage.

Using the External Pantry compartment as a Freezer you can store frozen food. Only one temperature setting is available when using the External Pantry compartment as a “Freezer”. This setting will change the temperature of the Pantry to match the Freezer compartment temperatures.

To convert drawer into the freezer, press and hold the Drawer button for 3 seconds. To convert the drawer back to refrigerator, again press and hold the Drawer button for 3 seconds.

**NOTE:** While changing the convertible compartment from Refrigerator to Freezer, or Freezer to Refrigerator, the conversion might take several hours. Wait for a 12 hours to stabilize the temperature before placing the desired food items in that compartment.

## Water and Ice Dispensers (on some models)

For additional information on how to use your water and ice dispensers, see the online “Dispensing Guide.”

### IMPORTANT:

- After connecting the refrigerator to a water source or replacing the water filter, flush the water system. Use a sturdy container to depress and hold the water dispenser pad for 5 seconds, then release it for 5 seconds. Repeat until water begins to flow. Once water begins to flow, continue depressing and releasing the dispenser pad (5 seconds on, 5 seconds off) until a total of 4 gallons (15 L) has been dispensed. This will flush air from the filter and water dispensing system, and prepare the water filter for use. Additional flushing may be required in some households. As air is cleared from the system, water may spurt out of the dispenser.
- Allow 24 hours for the refrigerator to cool down and chill water. Dispense enough water every week to maintain a fresh supply.
- Allow 24 hours to produce the first batch of ice. Discard the first three batches of ice produced.
- The dispenser will dispense either water or ice.
- The dispensing system will not operate when the left refrigerator door is open.
- On some models, the display screen on the dispenser control panel will turn off automatically and enter “sleep” mode when the control buttons and dispenser levers have not been used for 2 minutes or more. While in “sleep” mode, the first press of a control button will only reactivate the display screen without changing any settings. After reactivation, changes to any settings can then be made. If no changes are made within 2 minutes, the display will re-enter “sleep” mode.

### Flush the Water System

Air in the water dispensing system can cause the water dispenser to drip. After connecting the refrigerator to a water source or replacing the water filter, flush the water system.

Flushing the water dispensing system forces air from the water line and filter and prepares the water filter for use. Additional flushing may be required in some households.

**NOTE:** As air is cleared from the system, water may spurt out of the dispenser.

1. Using a sturdy container, depress and hold the water dispenser paddle for 5 seconds.
2. Release the dispenser paddle for 5 seconds. Repeat steps 1 and 2 until water begins to flow.
3. Once water begins to flow, continue depressing and releasing the dispenser pad (5 seconds on, 5 seconds off) until a total of 3 gallons (12 Liter) has been dispensed.

### The Water Dispenser

#### IMPORTANT:

Dispense at least 1 quart (1 Liter) of water every week to maintain a fresh supply.

If the flow of water from the dispenser decreases, it could be caused by low water pressure.

- With the water filter removed, dispense 1 cup (237 mL) of water. If 1 cup of water is dispensed in 8 seconds or less, the water pressure to the refrigerator meets the minimum requirement.
- If it takes longer than 8 seconds to dispense 1 cup (237 mL) of water, the water pressure to the refrigerator is lower than recommended. See “Water Supply Requirements” and online “Troubleshooting” for more information.

### Cleaning the Ice Dispenser Chute

Humidity causes ice to naturally clump together. Ice particles can build up until the ice dispenser chute becomes blocked.

If ice is not dispensed regularly, it may be necessary to empty the ice storage bin and clean the ice delivery chute, the ice storage bin and the area beneath the storage bin every 2 weeks.

- If necessary, remove the ice clogging the storage bin and delivery chute, using a plastic utensil.
- Clean the ice delivery chute and the bottom of the ice storage bin using a warm, damp cloth and dry thoroughly.

### Ice Maker and Storage Bin

#### IMPORTANT:

To avoid low ice production and poor quality ice, flush the water system before turning on the ice maker. See “Water and Ice Dispenser” for details.

- Following installation, allow 24 hours to produce the first batch of ice. Allow 2 to 3 days to fill the ice storage bin.
- For models with a water filter, after connecting the refrigerator to a water source or replacing the water filter, fill and discard three full containers of ice to prepare the water filter for use.
- The quality of your ice will be only as good as the quality of the water supplied to your ice maker. Avoid connecting the ice maker to a softened water supply. Water softener chemicals (such as salt) can damage parts of the ice maker and lead to poor quality ice. If a softened water supply cannot be avoided, make sure the water softener is operating properly and is well maintained.
- If the ice in the storage bin clumps together, place the entire bin in a sink and run warm water over the ice until melted. Or break up ice using a plastic utensil and discard ice.
- Do not store anything on top of the ice maker or in the ice storage bin.

### Ice Production Rate

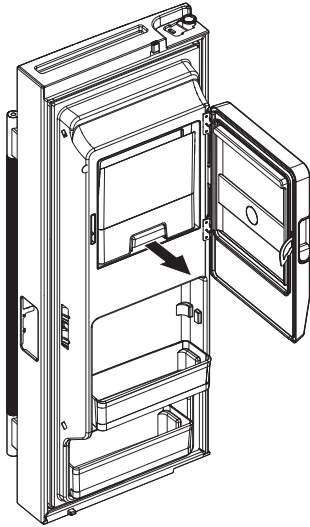
Allow 24 hours to produce the first batch of ice. Discard the first three batches of ice produced.

Allow 3 days to completely fill the ice storage bin. The ice maker should produce approximately 3 lbs (1.4 kg) (8 to 12 batches) of ice in a 24 hour period.

To increase ice production, lower the freezer and refrigerator temperature, or see “Control Panel Descriptions” in the Quick Start Guide for details. Wait 24 hours between adjustments.

## Remove and Replace the Ice Storage Bin

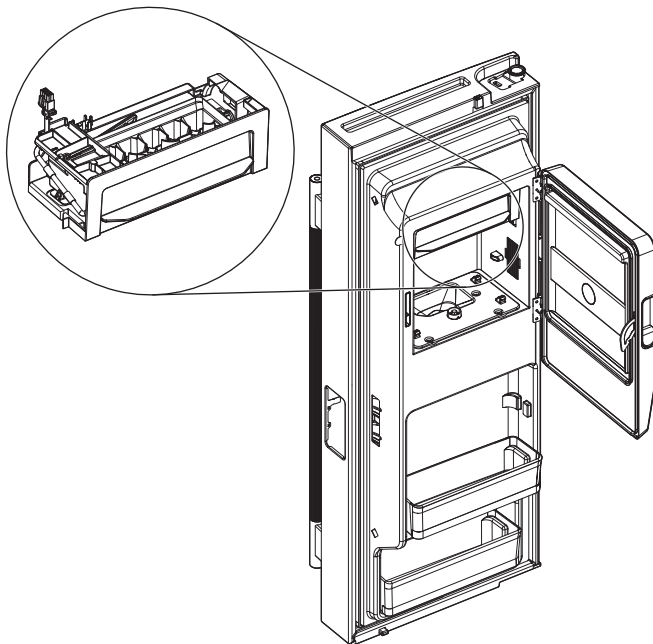
- Remove the ice storage bin by inserting your fingers into the hole at the base of the bin and squeezing the latch to release the bin from the compartment. Lift the storage bin up and pull it straight out.



- Replace the storage bin inside the ice compartment and push down to make sure it is firmly in place.

## In-Door Ice Maker On/Off (Refrigerator Left Door)

The ice maker is located on the left door behind the bins. Ice cubes are ejected into the ice storage bin located on the left-hand refrigerator door.



The ice maker in the refrigerator's left door is ON by default when you receive the product.

### To Turn the In-Door Ice Maker OFF:

- Press and hold the Water dispense button and the Refrigerator button at the same time for 3 seconds. (applicable only for Whirlpool external water and ice dispenser models)
- Press and hold the Cubed Ice button and the Crushed Ice button at the same time for 3 seconds. (applicable only for KitchenAid and JennAir models)

## Freezer Ice Maker On/Off

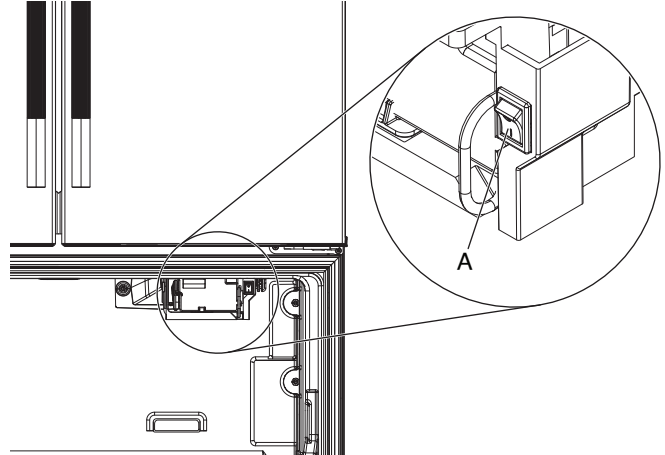
The Freezer ice maker is in the top right area of the Freezer compartment.

The Freezer ice maker is ON by default when you receive the product.

### To Turn the Freezer Ice Maker On/Off:

Locate the switch on the ice maker frame.

- The 'I' icon (or switch position) indicates the ice maker is ON.
- The 'O' icon (or switch position) indicates the ice maker is OFF.



A. Freezer ice maker switch

### NOTE:

- You do not need to turn the Freezer ice maker OFF when the ice bin is full.
- The ice maker has an automatic sensor that stops ice production when the ice bin is full.
- If the Freezer ice maker is ON, it will make ice until the ice bin is full. It will start to make ice again after you remove ice from the ice bin.

## Water Filtration System

Do not use with water that is microbiologically unsafe or of unknown quality without adequate disinfection before or after the system. Systems certified for cyst reduction may be used on disinfected waters that may contain filterable cysts.

**IMPORTANT:** The disposable water filter should be replaced at least every 6 months. If the water flow to the water dispenser or ice maker decreases noticeably before 6 months have passed, replace the water filter more often.

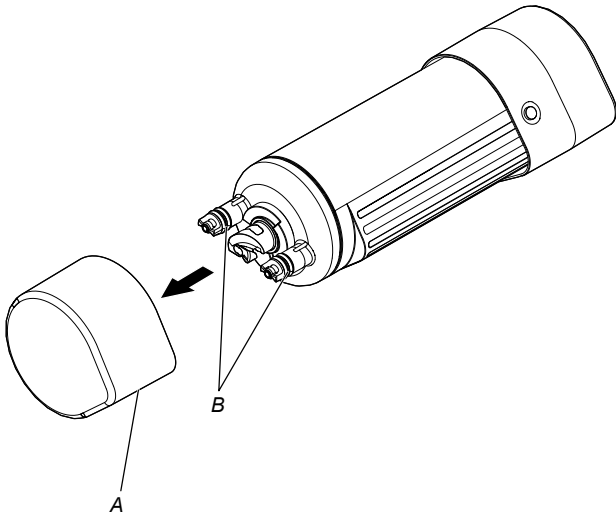
### Install the Water Filter

To order a replacement filter, contact us at [www.whirlpool.com/owners](http://www.whirlpool.com/owners). See the "Quick Start Guide" for details.

**NOTE:** If the filter is not installed correctly, water may dispense at a lower flow rate and there will be slower ice production. Improper filter installation may also cause the water filter housing to leak.

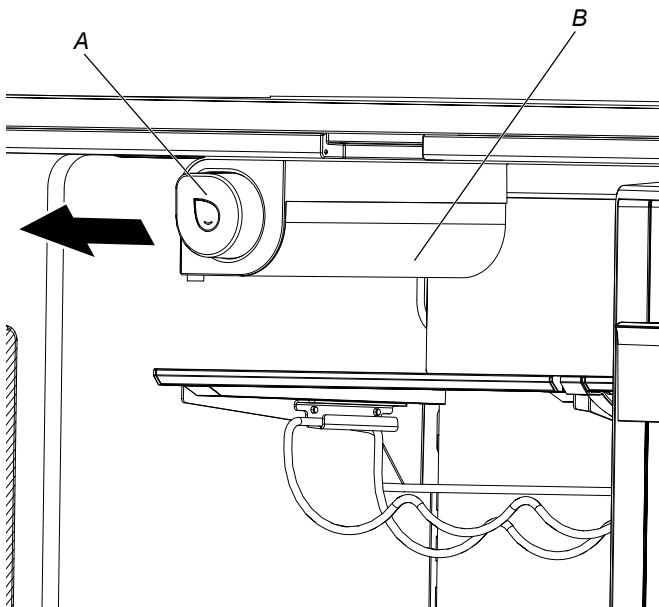
### Left Hand Side of Refrigerator Ceiling

1. Locate the accessory packet in the refrigerator and remove the water filter.
2. Take the water filter out of its packaging and remove the cover from the O-rings. Be sure the O-rings are still in place after the cover is removed.



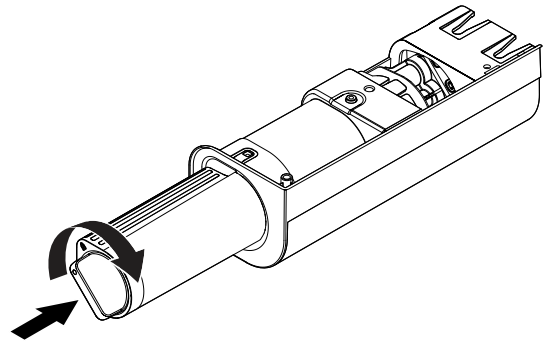
A. O-ring cover  
B. O-rings

3. The other cover with water drop icon that comes together with the filter should be kept, that will be required later on the Water filter installation.
4. The water filter compartment is located in the left side of the refrigerator ceiling.



A. Water filter  
B. Water filter housing

5. Turn the filter clockwise 90° (1/4 turn), until it locks into the housing.
- NOTE:** If the filter is not correctly locked into the housing, the water dispenser will not operate. Water will not flow from the dispenser.



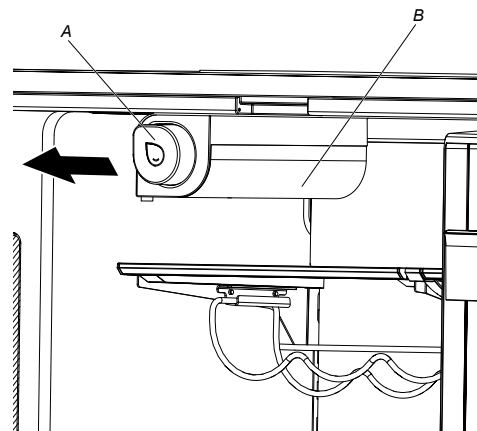
6. Add the filter housing cover from step 3 in the front of the water filter.
  7. Flush the water system. See "Water and Ice Dispensers" for details.
- IMPORTANT:** If you do not flush the water system, you may experience dripping and/or decreased flow from the water dispenser.

### Replacing the Water Filter

To purchase a replacement water filter, use model number EDRARXD1/EDRARXD1B, contact your dealer, or call **1-800-442-9991** in the U.S.A. or **1-800-807-6777** in Canada.

**IMPORTANT:** Air trapped in the water system may cause water and filter to eject. Always dispense water for at least 2 minutes before removing the filter or blue bypass cap.

1. Remove the water filter cover and save that for your replacement filter that will be installed later.
  2. Turn filter counterclockwise, and pull straight out to remove.
- NOTE:** There may be some water in the filter. Some spilling may occur. Use a towel to wipe up any spills.
3. The water filter compartment is located in the left side of the refrigerator ceiling.

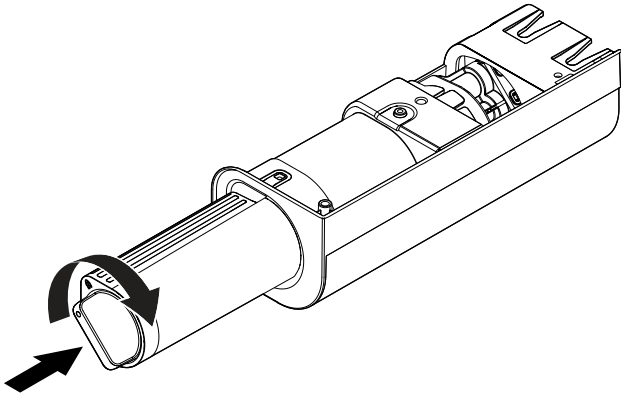


A. Water filter  
B. Water filter housing

4. Align the water filter in the filter housing, insert filter until it touches the back of the housing.

- Turn the filter clockwise 90° (1/4 turn), until it locks into the housing.

**NOTE:** If the filter is not correctly locked into the housing, the water dispenser will not operate. Water will not flow from the dispenser.



- Add the filter housing cover from step 3 in the front of the water filter.
- Flush the water system. See “Water and Ice Dispensers” for details.

**IMPORTANT:** If you do not flush the water system, you may experience dripping and/or decreased flow from the water dispenser.



**NOTE:** The dispenser feature may be used without a water filter installed. Your water will not be filtered.

### Reset Water Filter Status

After replacing the water filter, press and hold Reset Filter or Filter Reset (depending on your model) for 3 seconds. See the “Quick Start Guide” for more information.

#### Style 1: Water filter reset on side door panel control

Displays the status of the water filter. To reset the water filter, press Pantry and Control Lock for 3 seconds. See “Water Filtration System”.

- Order a replacement filter, if  icon blinks 3 times while dispensing water.
- Replace the water filter, if  icon blinks and alert tone will sound 3 times while dispensing water.

Touch Pantry and Control Lock at the same time on the temperature control display for 3 seconds to reset water filter.

#### Style 2: Water filter reset on the front door panel control

The Water Filter Status indicator displays the status of the water filter.

- The “Replace Filter” icon will illuminate and blink continuously during dispensing when the rated volume of water has passed through the filter or 6 months have passed since the filter was installed.

A new water filter should be installed immediately when the “Replace Filter” light is illuminated.

- After 14 days at Replace Filter stage, the “Replace Filter” and “water” icons will glow at all times and blink continuously during dispensing. Also, an alert chime will sound three times following dispensing. The water filter should be replaced at least every 6 months.

After changing the water filter, the user needs to reset the filter status light. Press and hold the “Freezer” and “Drawer” button for 3 seconds to reset the Water filter status. After that, the icon “Replace Filter” will turn OFF. (applicable only for Whirlpool external water and ice dispenser models)

After changing the water filter, the user needs to reset the filter status light. Press and hold the “Control Lock” and “Measure Fill” button for 3 seconds to reset the Water filter status. After that, the icon “Replace Filter” will turn OFF. (applicable only for KitchenAid and JennAir models)

## DOOR AND HANDLE INSTRUCTIONS

### Door and Drawers

Depending on the width of your doorway, you may need to remove the doors to move the refrigerator into your home. Also, the door hinges are factory installed on the right-hand side.

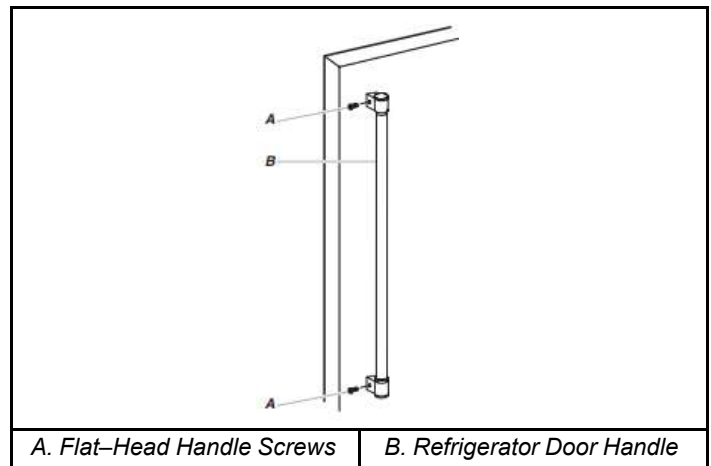
#### IMPORTANT:

- If the refrigerator was previously installed and you are moving it out of the home, before you begin, turn the refrigerator control Off, and unplug the refrigerator or disconnect power. Remove food and any adjustable door or utility bins from doors.
- Keep the refrigerator doors closed until you are ready to lift them free from the cabinet. Provide additional support for the refrigerator door while the hinges are being removed. **Do not depend on the door gasket magnets to hold the door in place while you are working.**

**Tools Needed:** 5/16", 3/8", and 1/4" hex head socket wrenches, TORX† T25 screwdriver, #2 Phillips screwdriver, and a flat-blade screwdriver.

## Remove and Replace Handles

### REFRIGERATOR DOOR HANDLES

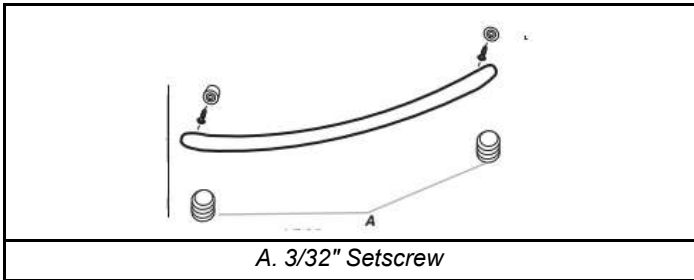


- Using a 3/32" or 1/8" hex key, loosen the two setscrews located on the side of each handle. Pull the handle straight out from the drawer. Make sure you keep the screws for reattaching the handles.
- To replace the handles, reverse the directions.

†TORX is a trademark of Acument Intellectual Properties, LLC.

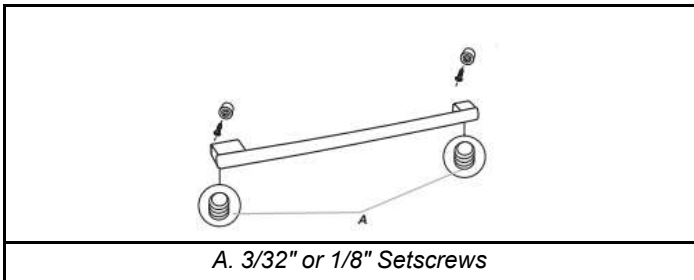
## FREEZER DOOR HANDLES

### Freezer Door Handle Style 1



- Using a 3/32" or 1/8" hex key, loosen the two setscrews located on the side of each handle. Pull the handle straight out from the drawer. Make sure you keep the screws for reattaching the handles.
- To replace the handles, reverse the directions.

### Freezer Door Handle Style 2



- Using a 3/32" or 1/8" hex key, loosen the two setscrews located on the side of each handle. Pull the handle straight out from the drawer. Make sure you keep the screws for reattaching the handles.
- To replace the handles, reverse the directions.

## Remove Refrigerator Doors and Hinges

### ⚠ WARNING



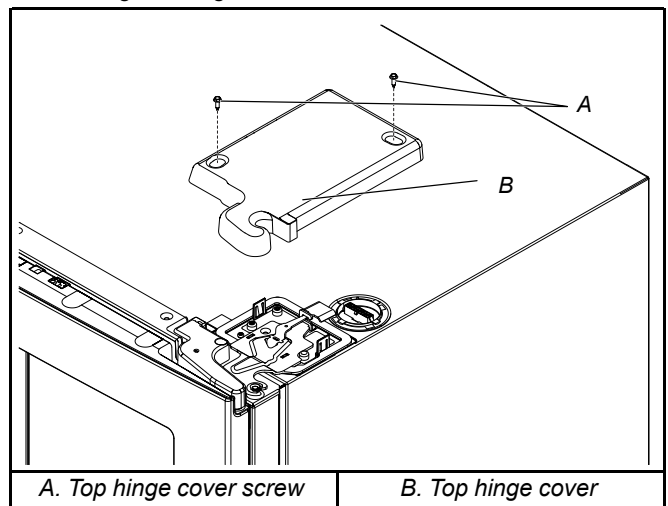
#### Electrical Shock Hazard

**Disconnect power before removing doors.**

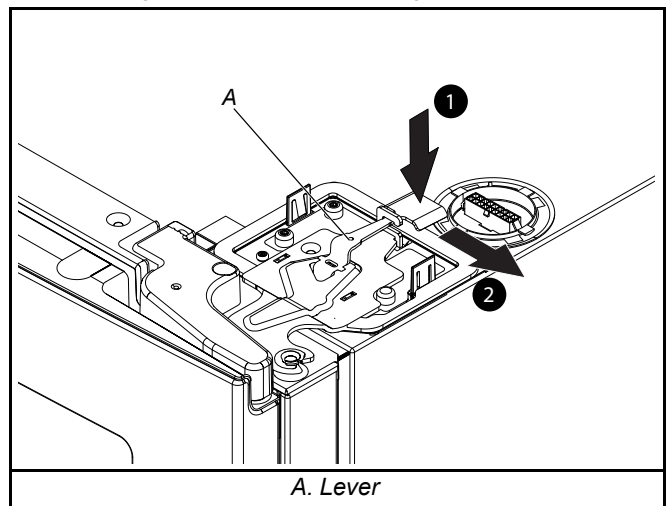
**Failure to do so could result in death or electrical shock.**

### Remove Right-Hand Refrigerator Door

1. Unplug refrigerator or disconnect power.
2. Starting with the right-hand side door, remove the top hinge cover using two hinge cover screws.



3. Push the hinge lever and pull it as shown below. Remove and keep the hinge lever aside for replacing the doors later.



**NOTE:** Do not remove the two locator screws. These screws will help you align the hinge when you replace the door.

# ⚠ WARNING

## Excessive Weight Hazard

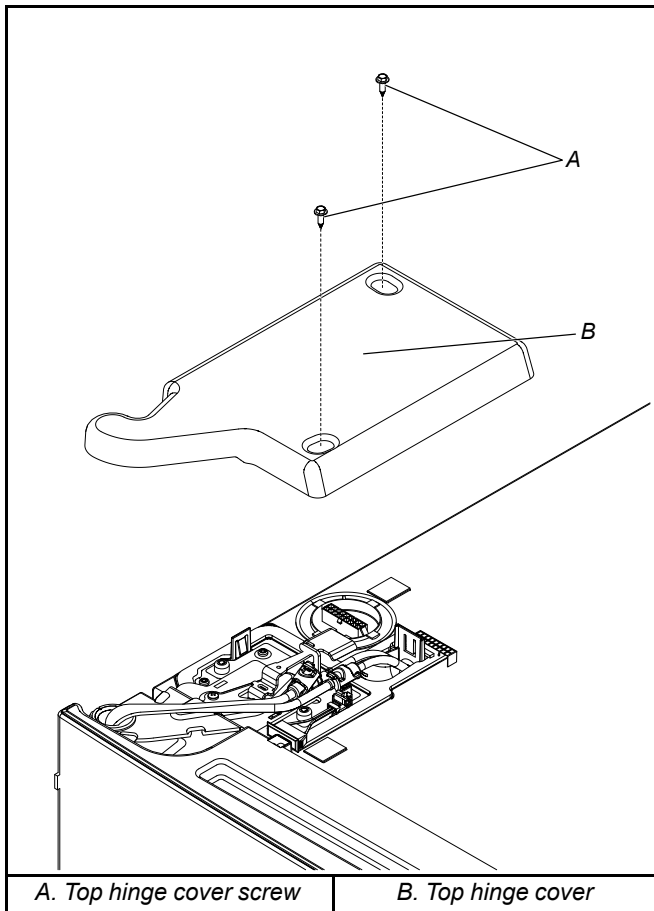
Use two or more people to lift the appliance door.  
Failure to do so can result in back or other injury.

4. Lift the refrigerator door from the bottom hinge pin. The top hinge will come away with the door.

### Remove Left-Hand Refrigerator Door

**IMPORTANT:** On models with a water dispenser, the tubing and wiring for the water dispenser run through the left-hand door hinge, so they must be disconnected before removing the door.

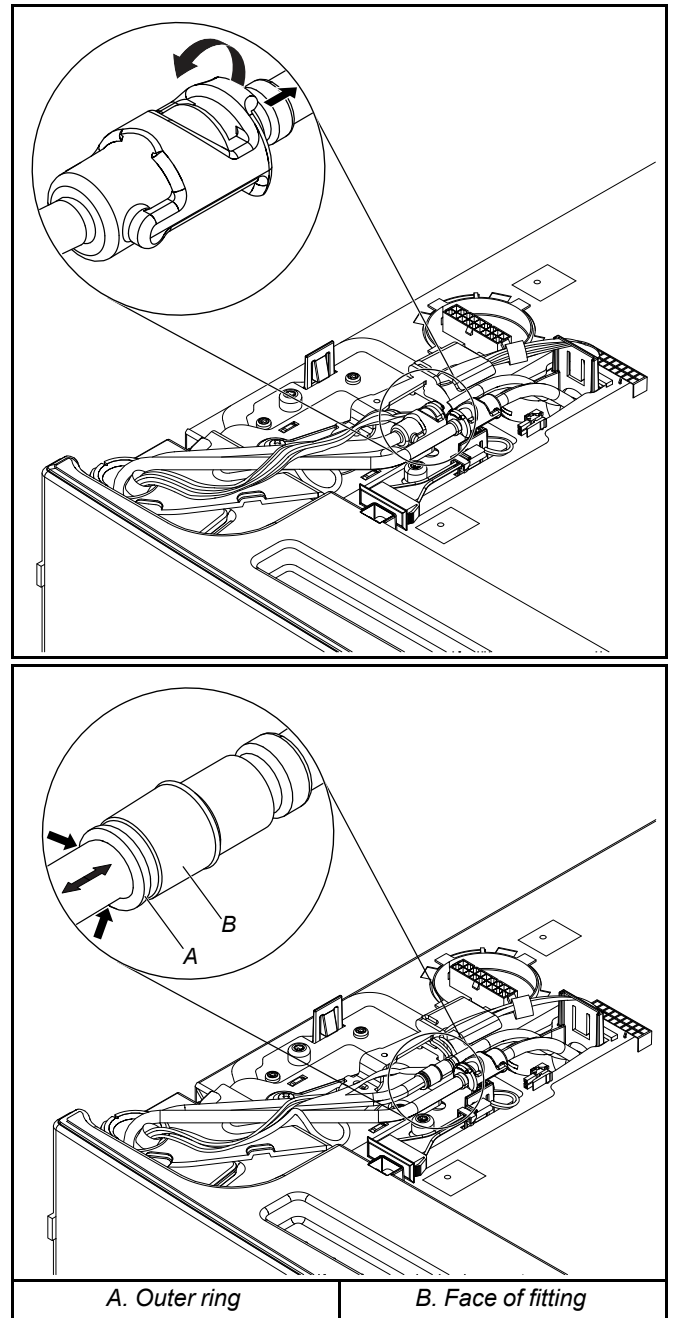
1. Starting with the right-hand side door, remove the top hinge cover using two hinge cover screws.



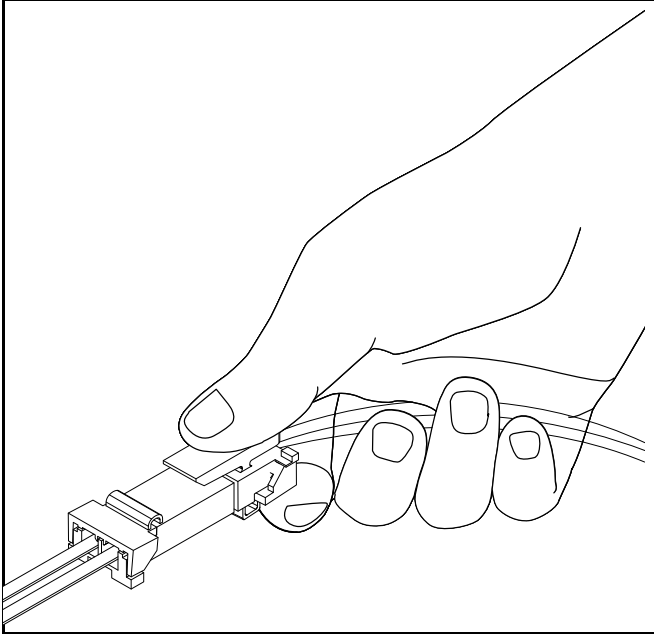
2. Disconnect the water dispenser tubing located on top of the door hinge (if applicable).

**Water Tubing Connection Style 1:** Lift the clip holding the water lines to allow water line to be disconnected. The clip will remain in one water line to allow reconnect the water line later.

**NOTE:** The water dispenser tubing remains attached to the left-hand refrigerator door.

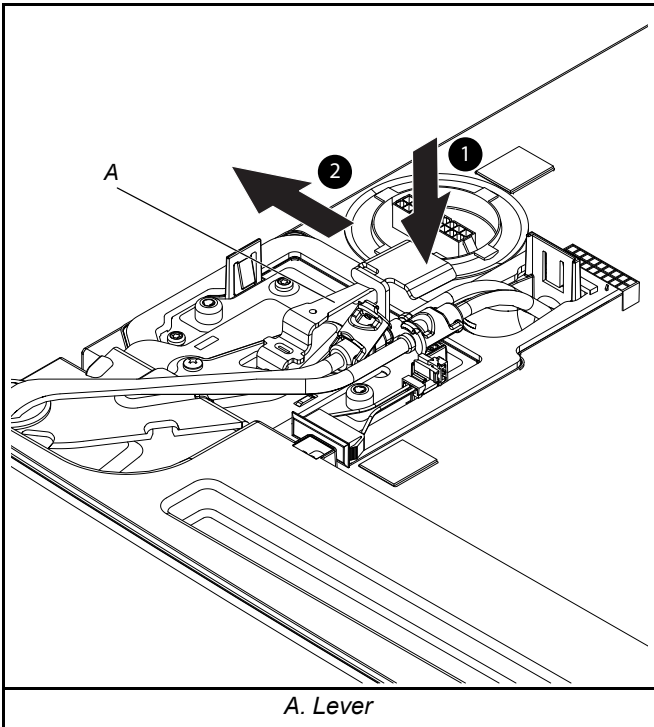


- Before removing the left-hand side door, disconnect the wiring plug located on top of the top hinge by pressing the latch to allow the connectors to disengage and pull the connectors apart from each other.



**NOTE:** Do not remove the green ground wire. It should remain attached to the door hinge.

- Push the hinge lever and pull it as shown below. Remove and keep the hinge lever aside for replacing the doors later.



- Lift the refrigerator door from the bottom hinge pin. The top hinge will come away with the door.

**NOTE:** It may not be necessary to remove the bottom hinges and brake feet assemblies to move the refrigerator through a doorway.

- Only if necessary, depending on your model, use a driver with a #2 square bit tip or a TORX T25 screwdriver to remove the bottom hinges and a 3/8" nut driver or a TORX T25 screwdriver to remove the brake feet screws.

## Replace Refrigerator Doors and Hinges

### Replace Right-Hand Refrigerator Door

- Set the right-hand door onto the bottom hinge pin.
- Insert the top hinge pin into the open hole in the top of the refrigerator door.
- Put the hinge lever into the hinge. Push the hinge lever until it is secure. Make sure the hinge lever is locked.
- Install the top hinge cover using two hinge cover screws.

### Replace Left-Hand Refrigerator Door

**IMPORTANT:** Do not intertwine the water tubing and wiring bundles when reconnecting them.

- Set the left-hand door onto the bottom hinge pin.
- Insert the top hinge pin into the open hole in the top of the refrigerator door.
- Put the hinge lever into the hinge. Push the hinge lever until it is secure. Make sure the hinge lever is locked.
- Install the top hinge cover using two hinge cover screws.
- If applicable, reconnect the water dispenser tubing.

**Style 1 -** Insert the tubing firmly into the fitting until it stops.

Close the clasp around the tubing. The clasp snaps into place between the fitting and the collar.

- Reconnect the electrical wiring.
  - Push together the two sections of the wiring plug.

### Final Steps

- Completely tighten the internal screws.
- Replace both top hinge covers.

## Remove and Replace Refrigerator Drawer

Depending on the width of your door opening, it may be necessary to remove the drawer fronts to move the refrigerator into your home.

### REMOVE DRAWER FRONT

#### IMPORTANT:

- If the refrigerator was previously installed and you are moving it out of the home, before you begin, turn the refrigerator control Off, and unplug the refrigerator or disconnect power. Remove food and any adjustable door or utility bins from doors.
- Two people may be required to remove and replace the freezer drawer. Graphics are included later in this section.

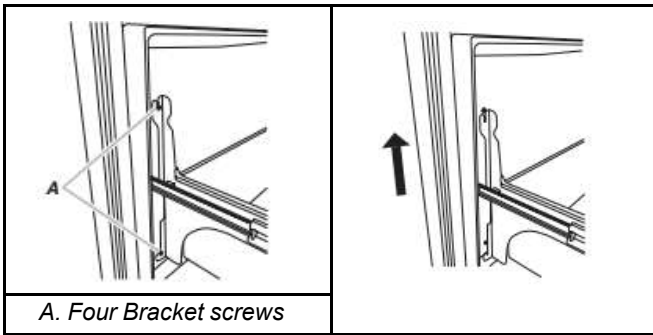
**Tools Needed:** 1/4" Hex head nut driver, Flat-blade screwdriver

#### Style 1: Bottom Screws

- Loosen the two top screws attaching the drawer glide brackets to the drawer front.
 

**NOTE:** Loosen screws three to four turns. Keep the screws in the drawer front.
- Remove the two bottom screws attaching the drawer glide.

- Lift the drawer front up and off the top screws.



- Slide the drawer glides back into the refrigerator.

#### REPLACE DRAWER FRONT

- Pull out the drawer glides until they are fully extended.

#### 2. Style 1: Bottom Screws

- Lower the loosened screws in the top of the door front into the upper notches in the drawer glide.
- Align the holes in the bottom of the drawer glides.
- Replace two screws removed previously and tighten all four screws.

**NOTE:** It helps if one person holds the drawer glides steady while another person aligns the drawer front and inserts the screws into the notches.

#### Remove and Replace Freezer Drawer Front

Depending on the width of your door opening, it may be necessary to remove the freezer drawer front to move the refrigerator into your home.

#### IMPORTANT:

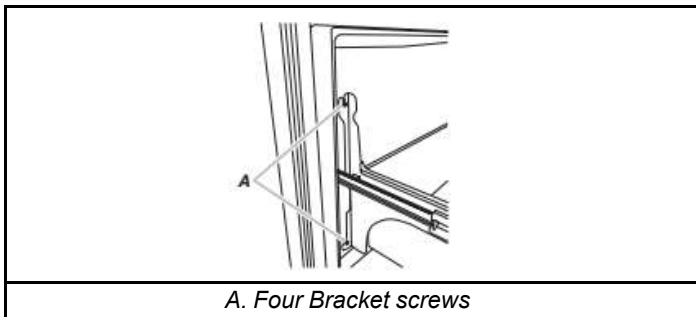
- If the refrigerator was previously installed and you are moving it out of the home, before you begin, turn the refrigerator control Off, and unplug the refrigerator or disconnect power. Remove food and any adjustable door or utility bins from doors.
- Two people may be required to remove and replace the freezer drawer.

**Tools Needed:** 1/4" hex driver

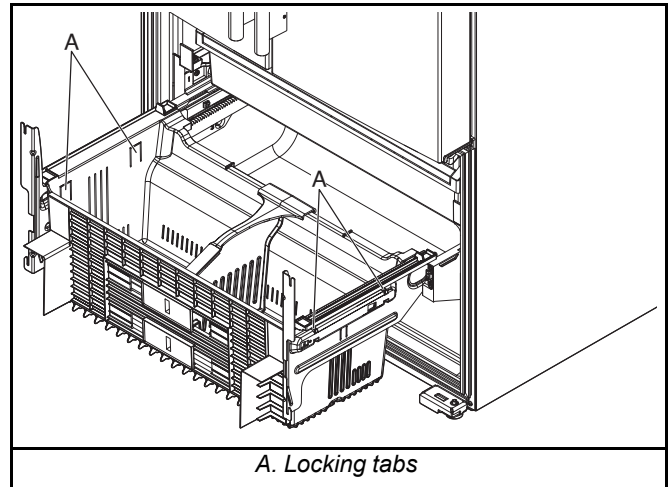
#### REMOVE DRAWER

- Open the freezer drawer to full extension.
- Loosen the four screws attaching the drawer glides to the drawer front as shown below.

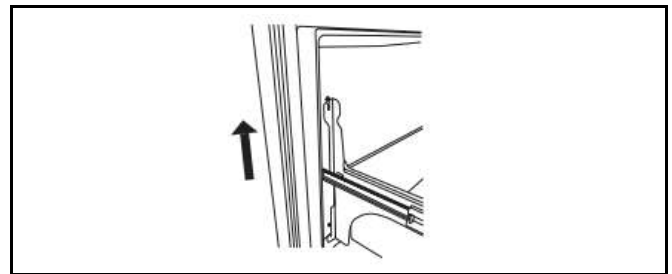
**NOTE:** Loosen screws three to four turns. Keep the screws in the drawer front.



- Press the four locking tabs on the freezer drawer basket and lift the basket to unlock it.

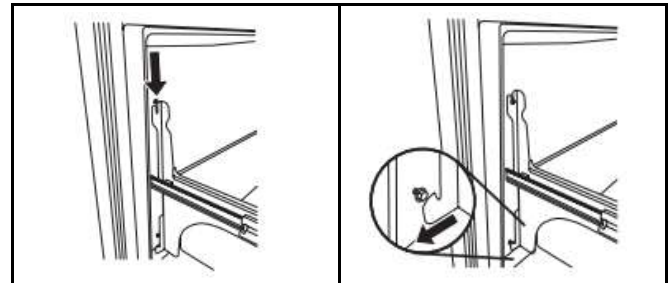


- Lift drawer front upward and off the screws.



#### REPLACE DRAWER

- Slide the drawer glides out of the freezer compartment.
- Insert the screws in the top of the drawer into the slots in the drawer brackets.



- Completely tighten all four screws.

#### Freezer Drawer Alignment

The freezer drawer can be adjusted for better sealing or alignment, please call for service.

#### Door Closing and Alignment

Make sure the refrigerator is steady. If the refrigerator seems unsteady or rolls forward when a door or drawer is pulled open, adjust the brake feet.

#### To Steady the Refrigerator:

- Open the freezer drawer. Using a 1/4" hex driver, turn both brake feet clockwise the same amount until the brake feet are snug against the floor. Check again. If you are not satisfied, continue to adjust the brake feet by half turns of the screw until the refrigerator does not roll forward when the drawer is opened.

**NOTE:** Having someone push against the top of the refrigerator takes some weight off the leveling screws. This makes it easier to turn the screws.

**NOTE:** To allow the refrigerator to roll easier, raise the brake feet by turning them counterclockwise. The front rollers will be touching the floor.

1. Move the refrigerator to its final location.
2. Make sure the doors close easily. If you are satisfied with the door opening and closing, skip the next section and go to "Align the Doors." If, however, the doors do not close easily or the doors pop open, adjust the tilt.
3. Using a 1/4" hex driver, lower the brake feet. Turn them clockwise until the rollers are off the floor and both brake feet are snug against the floor. This keeps the refrigerator from rolling forward when operating the refrigerator doors freezer drawer.

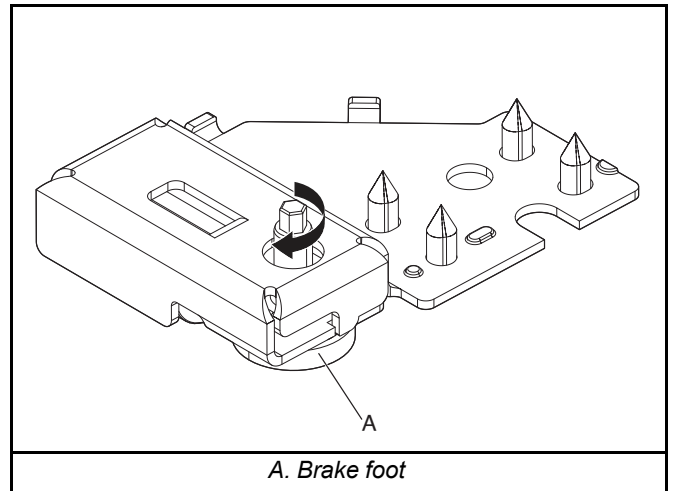
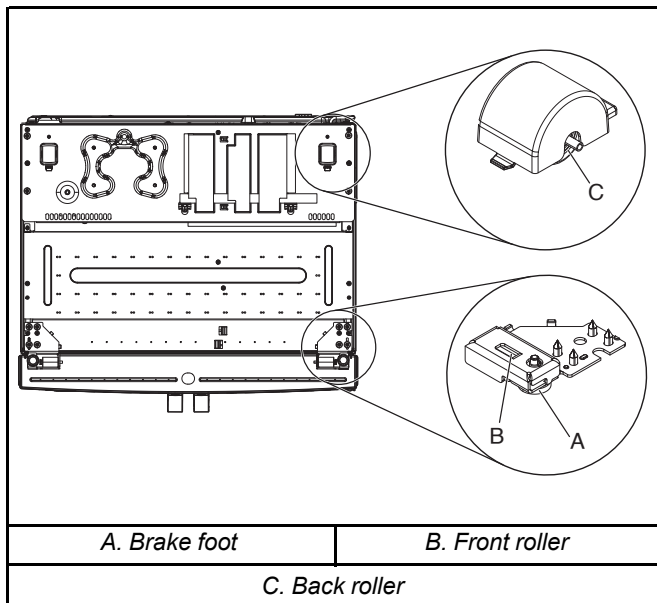
**IMPORTANT:** If you need to make further adjustments involving the brake feet, you must turn both brake feet the same amount to keep the refrigerator level.

4. Use a level to make sure the refrigerator is level from side to side and front to back.
5. Make sure the doors are even at the top and that the space between the bottom of the refrigerator doors and the top of the freezer drawer is even. If necessary, align the doors.

**To Adjust the Cabinet Tilt:**

1. Open the freezer drawer. Use a 1/4" hex driver to turn both brake feet clockwise the same amount. This will raise the front of the refrigerator. It may take several turns to allow the doors to close easily.

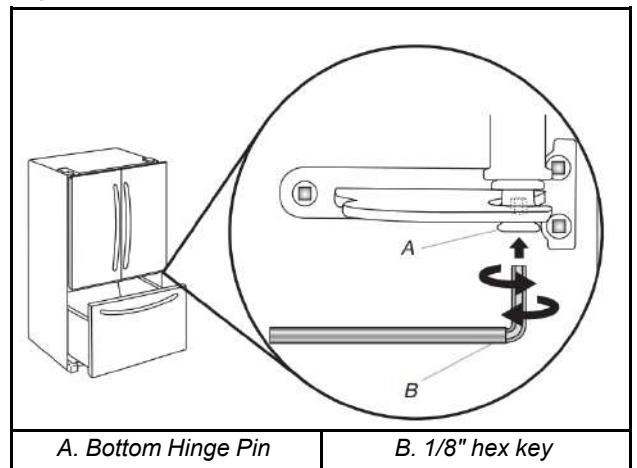
**NOTE:** Having someone push against the top of the refrigerator takes some weight off the brake feet. This makes it easier to turn them.



2. Make sure the doors are even at the top and that the space between the bottom of the refrigerator doors and the top of the freezer drawer is even. If necessary, align the doors.

**To Align the Doors:**

- Keeping both refrigerator doors closed, pull out the freezer drawer. Locate the bottom hinge pin of the right-hand refrigerator door. The alignment screw is inside the bottom hinge pin.
- Insert the short end of the 1/8" hex key (packed with the Door Handle Installation Instructions) into the bottom hinge pin until it is fully engaged in the alignment screw. To raise the refrigerator door, turn the hex key to the right. To lower the door, turn the hex key to the left.
- Continue to turn the alignment screw until the doors are aligned.



After making all appropriate adjustments, replace the base grille by aligning the ends of the grille with the leveling assemblies on each side and snapping the grille into place. Use a 1/4" hex driver to reinstall screws if applicable.

## Final Steps

### ⚠WARNING



#### Electrical Shock Hazard

- Plug into a grounded 3 prong outlet.
- Do not remove ground prong.
- Do not use an adapter.
- Do not use an extension cord.
- Failure to follow these instructions can result in death, fire, or electrical shock.

1. Plug into a grounded 3 prong outlet.
2. Reset the controls. See “Control Panel Descriptions” in the Quick Start Guide for details.
3. Return all removable door parts to doors and the food to refrigerator.

## TROUBLESHOOTING

### Refrigerator Operation

First try the solutions suggested here to avoid service call. If you need further assistance, refer to the contact information in the “Quick Start Guide.”

#### The Refrigerator will not Operate

### ⚠WARNING



#### Electrical Shock Hazard

- Plug into a grounded 3 prong outlet.
- Do not remove ground prong.
- Do not use an adapter.
- Do not use an extension cord.
- Failure to follow these instructions can result in death, fire, or electrical shock.

- **Power cord unplugged?** Plug into a grounded 3 prong outlet.
- **Is outlet working?** Plug in a lamp to see if the outlet is working.
- **Household fuse blown or circuit breaker tripped?** Replace the fuse or reset the circuit breaker. If the problem continues, call an electrician.
- **Are controls on?** Make sure the refrigerator controls are on. See “Using the Controls.”
- **Is refrigerator defrosting?** Your refrigerator will regularly run an automatic defrost cycle. Recheck in 45 minutes to see if it is operating.

- **New installation?** Allow 24 hours following installation for the refrigerator to cool completely.

**NOTE:** Adjusting the temperature controls to the coldest setting will not cool either compartment more quickly.

#### The Motor Seems to Run too Much

Your new refrigerator may run longer than your old one due to its high-efficiency compressor and fans. The unit may run even longer if the room is warm, a large food load is added, doors are opened often, or if the doors have been left open.

#### If the Refrigerator is Noisy

Refrigerator noise has been reduced over the years. Due to this reduction, you may hear intermittent noises from your new refrigerator that you did not notice from your old model. Below are listed some normal sounds with an explanation.

- **Buzzing** - heard when the water valve opens to fill the ice maker.
- **Pulsating** - fans/compressor adjusting to optimize performance.
- **Rattling** - flow of refrigerant, water line, or from items placed on top of the refrigerator.
- **Sizzling/Gurgling** - water dripping on the heater during defrost cycle.
- **Popping** - contraction/expansion of inside walls, especially during initial cool-down.
- **Water running** - may be heard when water melts during the defrost cycle and runs into the drain pan.
- **Creacking/Cracking** - occurs as ice is being ejected from the ice maker mold.
- **Banging noise during ice maker or water dispensing operation** - Check if a water hammer arrestor is required to be installed. Refer to the “Water Supply Requirements” section for more information.

#### There is no Audible Door Open Alarm

##### Has the door been open less than 10 minutes?


The door open alarm will only flash when the door has been open for 10 minutes. The audible alarm will sound the first time the door is left open for more than 10 minutes. Subsequent door open alarms will only flash. You must reset the audible alarm each time. See “Using the Controls.”

##### The Doors will not Close Completely

- **Door blocked open?** Move food packages away from door.
- **Bin or shelf in the way?** Push bin or shelf back in the correct position.

## The Doors are Difficult to Open

**⚠ WARNING**



**Explosion Hazard**

**Keep flammable materials and vapors, such as gasoline, away from appliance.**

**Use nonflammable cleaner.**

**Failure to do so can result in death, explosion, or fire.**

**Are the gaskets dirty or sticky?** Clean gaskets with mild soap and warm water.

## The Lights Do not Work

**Is the refrigerator in Sabbath mode?** See “Using the Controls.”

**Has the door been open more than 10 minutes?** See “Using the Controls.”

## Temperature and Moisture

### Temperature is Too Warm

- **New installation?** Allow 24 hours following installation for the refrigerator to cool completely.
- **Door(s) opened often or left open?** Allows warm air to enter refrigerator. Minimize door openings and keep doors fully closed.
- **Large load of food added?** Allow several hours for refrigerator to return to normal temperature.
- **Controls set correctly for the surrounding conditions?** Adjust the controls a setting colder. Check temperature in 24 hours. See “Using the Controls.”
- **Refrigerator not cooling?** For models with digital controls, turn the refrigerator off and then on to reset. If this does not correct the problem, call for service.
- **Air vents blocked?** Remove any item from in front of the air vents.

### There is Interior Moisture Buildup

**NOTE:** Some moisture buildup is normal.

- **Humid room?** Contributes to moisture buildup.
- **Door(s) opened often or left open?** Allows humid air to enter refrigerator. Minimize door openings and keep doors fully closed.

## Ice and Water

### The Ice Maker is Not Producing Ice or not Enough Ice

- **Refrigerator connected to a water supply and the supply shut-off valve turned on?** Connect refrigerator to water supply and turn water shut-off valve fully open.
- **Kink in the water source line?** A kink in the line can reduce water flow. Straighten the water source line.
- **Ice maker turned on?** Make sure switch is in the ON position.
- **New installation?** Wait 24 hours after ice maker installation for ice production to begin. Wait around 72 hours for full ice production.

- **Large amount of ice recently removed?** Allow 24 hours for ice maker to produce more ice.
- **Ice cube jammed in the ice maker ejector arm?** Remove ice from the ejector arm with a plastic utensil.
- **Reverse osmosis water filtration system connected to your cold water supply?** This can decrease water pressure. See “Water Supply Requirements”.

### The Ice Cubes are Hollow or Small

**NOTE:** This is an indication of low water pressure.

- **Water shut-off valve not fully open?** Turn the water shut-off valve fully open.
- **Kink in the water source line?** A kink in the line can reduce water flow. Straighten the water source line.
- **Reverse osmosis water filtration system connected to your cold water supply?** This can decrease water pressure. See “Water Supply Requirements.”
- **Questions remain regarding water pressure?** Call a licensed, qualified plumber.

### Ice is Sticking Together in the Ice Storage Bin

- It is normal for frost to be on top of the ice storage bin due to normal opening and closing of the freezer.
- It is normal for ice to stick together when it is not dispensed or used frequently. It is recommended that the ice storage bin be emptied and cleaned as needed. See “Ice Maker and Storage Bin.”

### Off-Taste, Odor or Gray Color in the Ice

- **New plumbing connections?** New plumbing connections can cause discolored or off-flavored ice.
- **Ice stored too long?** Discard ice. Wash ice bin. Allow 24 hours for ice maker to make new ice.
- **Odor transfer from food?** Use airtight, moisture proof packaging to store food.
- **Are there minerals (such as sulfur) in the water?** A water filter may need to be installed to remove the minerals.
- **Is there a water filter installed on the refrigerator?** Gray or dark discoloration in ice indicates that the water filtration system needs additional flushing.

### The Ice Dispenser Will Not Operate Properly

- **Freezer door closed completely?** Close the door firmly. If it does not close completely, see “The doors will not close completely.”
- **Ice bin installed correctly?** Be sure the ice bin is firmly in position.
- **New installation?** Wait 24 hours after ice maker installation for ice production to begin. Wait around 72 hours for full ice production.
- **Ice stuck in the delivery chute?** Remove the Ice Bin from the door. Use a plastic utensil to clear the delivery chute.
- **Has the wrong ice been added to the bin?** Use only cubes produced by the current ice maker.
- **Has the ice melted around the auger (metal spiral) in the ice bin?** Empty the ice container. Use warm water to melt the ice if necessary.

## **⚠WARNING**



### **Cut Hazard**

**Use a sturdy glass when dispensing ice.**

**Failure to do so can result in cuts.**

- **Is the ice dispenser stalling while dispensing "crushed" ice?** Change the ice button from "crushed" to "cubed." If cubed ice dispenses correctly, depress the button for "crushed" ice and begin dispensing again.
- **Has the dispenser arm been held in too long?** Ice will stop dispensing when the arm is held in too long. Wait 3 minutes for dispenser motor to reset before using again.

### **The Water Dispenser will not Operate Properly**

- **Freezer door closed completely?** Close the door firmly. If it does not close completely, see "The doors will not close completely."
- **Refrigerator connected to a water supply and the supply shut-off valve turned on?** Connect refrigerator to water supply and turn water shut-off valve fully open.
- **Is the water pressure at least 30 psi (207 kPa)?** The water pressure to the home determines the flow from the dispenser. See "Water Supply Requirements."
- **Kink in the home water source line?** Straighten the water source line.
- **New installation?** Flush and fill the water system.
- **Water filter installed on the refrigerator?** The filter may be clogged or incorrectly installed.
- **Is a reverse osmosis water filtration system connected to your cold water supply?** See "Water Supply Requirements" in either the Installation Instructions or the Use & Care Guide.

### **Water is Leaking from the Dispenser**

**NOTE:** One or two drops of water after dispensing is normal.

- **Glass not being held under the dispenser long enough?** Hold the glass under the dispenser 2 to 3 seconds after releasing the dispenser lever.
- **New installation?** Flush the water system. See "Prepare the Water System" or "Water and Ice Dispensers."
- **Recently changed water filter?** Flush the water system. See "Prepare the Water System" or "Water and Ice Dispensers."

### **The Dispenser Water is not Cool Enough**

**NOTE:** Water from the dispenser is chilled to only 50°F (10°C).

- **New installation?** Allow 24 hours after installation for the water supply to cool completely.
- **Recently dispensed large amount of water?** Allow 24 hours for water supply to cool completely.
- **Water not been recently dispensed?** The first glass of water may not be cool. Discard the first glass of water.
- **Refrigerator connected to a cold water pipe?** Make sure the refrigerator is connected to a cold water pipe. See "Water Supply Requirements."

# PERFORMANCE DATA SHEET

## Water Filtration System

Model W11569863 (PID), W11569861 (Without PID)

Replacement element model numbers: EDRARXD1/EDRARXD1B/W11536439/WHRRARXD1/WHRRARXD1B/KADARXD1/KADARXD1B/MAYARXD1/MAYARXD1B/W11486187

Capacity 200 Gallons (757 Liters) with PID W11569863, 100 Gallons (379 Liters) without PID W11569861.



System tested and certified by NSF International against CSA B483.1, NSF/ANSI Standards 42, 53, and 401 for the reduction of the claims specified on the Performance Data Sheet below.

This system has been tested according to NSF/ANSI Standards 42, 53, 401, and CSA B483.1 for the reduction of the substances listed below. The concentration of the indicated substances in water entering the system was reduced to a concentration less than or equal to the permissible limit for water leaving the system, as specified in NSF/ANSI Standards 42, 53, 401, and CSA B483.1.

Substance Reduction	Influent Challenge Concentration	Reduction Requirements	Average % Reduction	Minimum % Reduction
<b>Aesthetic Effects</b>				
Chlorine Taste/Odor	2.0 mg/L ± 10%	≥ 50% reduction	99.39	99
Particulate Class I*	At least 10,000 particles/mL	≥ 85% reduction	99.52	99.33
Microplastics	At least 10,000 particles/mL	≥ 85% reduction	99.52	99.33
<b>Contaminant Reduction</b>				
Lead: @ pH 6.5 / @ pH 8.5	0.150 mg/L ± 10%	0.005 mg/L	99.29/99.84	99.07/99.46
Mercury: @ pH 6.5 / @ pH 8.5	0.006 mg/L ± 10%	0.002 mg/L	97.38/92.78	92.98/75.86
Asbestos	10 <sup>7</sup> to 10 <sup>8</sup> fibers/L††	≥ 99%	> 99.0	> 99.0
Cysts†	50,000/L minimum	≥ 99.95%	≥ 99.997	> 99.997
Atrazine	0.009 mg/L ± 10%	0.003 mg/L	> 98.98	> 98.95
Benzene	0.015 mg/L ± 10%	0.005 mg/L	> 99.28	> 99.17
Carbofuran	0.080 mg/L ± 10%	0.040 mg/L	83.93	58.7
Lindane	0.002 mg/L ± 10%	0.0002 mg/L	95.22	95
P-Dichlorobenzene	0.225 mg/L ± 10%	0.075 mg/L	99.95	99.95
Tetrachloroethylene	0.015 mg/L ± 10%	0.005 mg/L	99.33	99.29
Toxaphene	0.015 mg/L ± 10%	0.003 mg/L	99.27	99.17
O-Dichlorobenzene	1.8 mg/L ± 10%	0.6 mg/L	> 99.995	> 99.995
Toluene	3.0 mg/L ± 10%	1.0 mg/L	> 99.9	> 99.9
Styrene	2.0 mg/L ± 10%	0.1 mg/L	> 99.9	> 99.9
1,2,4-Trichlorobenzene	0.210 mg/L ± 10%	0.07 mg/L	> 99.55	> 99.42
Trichloroethylene	0.3 mg/L ± 30%	0.005 mg/L	> 99.8	> 99.8
Endrin	0.006 mg/L ± 10%	0.002 mg/L	92.32	83.93
Ethylbenzene	2.1 mg/L ± 10%	0.7 mg/L	> 99.99	> 99.99

<b>Substance Reduction Aesthetic Effects</b>	<b>Influent Challenge Concentration</b>	<b>Reduction Requirements</b>	<b>Average % Reduction</b>	<b>Minimum % Reduction</b>
2,4 - D	0.210 mg/L ± 10%	0.07 mg/L	98.89	94.76
Turbidity	11 NTU ± 10%	0.5 NTU	98.88	98.17
Atenolol	200 ± 20%	30 ng/L	95.27	94.98
Carbamazepine	1400 ± 20%	200 ng/L	96.2	96.09
Linuron	140 ± 20%	20 ng/L	93.53	92.31
Meprobamate	400 ± 20%	60 ng/L	94.54	94.32
Trimethoprim	140 ± 20%	20 ng/L	96.27	95.94
DEET	1400 ± 20%	200 ng/L	96.32	96.21
Metolachlor	1400 ± 20%	200 ng/L	96.67	96.5
Bisphenol A	2000 ± 20%	300 ng/L	95.07	94.82
Estrone	140 ± 20%	20 ng/L	96.27	96.15
Nonylphenol	1400 ± 20%	200 ng/L	92.61	90.48
Naproxen	140 ± 20%	20 ng/L	96.09	95.83
Ibuprofen	400 ± 20%	60 ng/L	95.44	95.13
TCP	5000 ± 20%	700 ng/L	92.78	92.59
TCEP	5000 ± 20%	700 ng/L	96.62	96.55
Phenytoin	200 ± 20%	30 ng/L	95.6	95.12
VOC**	0.300 mg/L ± 10%	0.015 mg/L	> 99.58	> 96.21

Test Parameters: pH = 7.5 ± 0.5 unless otherwise noted. Flow = 0.52 GPM (1.97 LPM). Pressure = 60 psi (413.7 kPa). Temperature = 68°F to 71.6°F (20°C to 22°C). Rated service capacity = 200 gallons (757 liters) W11569863 with PID, 100 gallons (379 liters) W11569861 without PID.

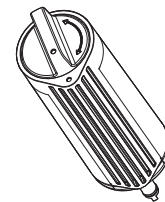
The compounds certified under NSF 401 have been deemed as “emerging compounds/incidental contaminants.” Emerging compounds/incidental contaminants compounds that have been detected in drinking water supplies at trace levels. While occurring at only trace levels, these compounds can affect the public acceptance/perception of drinking water quality.

- It is essential that operational, maintenance, and filter replacement requirements be carried out for the product to perform as advertised. Property damage can occur if all instructions are not followed.
- The disposable cartridge must be changed at least every 6 months. Spent adsorption media will not be regenerated and used.
- Use replacement EDRARXD1/B, WHRARXD1/B, KADARXD1/B, MAYARXD1/. 2025 suggested retail price of \$59.99 U.S.A./\$69.99 Canada. Prices are subject to change without notice. Available at [www.everydropwater.com](http://www.everydropwater.com).
- The filter monitor system measures the amount of water that passes through the filter and alerts you when it is time to replace the filter. To learn how to check the water filter status, see “Using the Controls” or “Water Filtration System” in the User Instructions or User Guide.
- After changing the water filter, flush the water system. See “Water and Ice Dispensers” or “Water Dispenser” in the User Instructions or User Guide.
- These contaminants are not necessarily in your water supply. While testing was performed under standard laboratory conditions, actual performance may vary.
- The product is for cold water use only.
- The water system must be installed in compliance with state and local laws and regulations.
- Actual performance may vary as the testing was performed under standard laboratory conditions.
- Do not use with water that is microbiologically unsafe or of unknown quality without adequate disinfection before or after the system. Systems certified for cyst reduction may be used on disinfected waters that may contain filterable cysts. EPA Est. No. 85075-SG-001.
- Refer to the “Warranty” section (in the User Instructions or User Guide) for the Manufacturer’s limited warranty, name and telephone number.

**Application Guidelines/Water Supply Parameters**

Water Supply	Potable City or Well
Water Pressure	30 psi-120 psi (207 kPa-827 kPa)
Water Temperature	33°F-100°F (0.6°C-37.8°C)
Service Flow Rate	0.52 GPM (1.97 LPM) @ 60 psi (413.7 kPa)

- Your water filtration system will withstand up to 120 psi water pressure. If your water supply is higher than 80 psi, install a pressure reducing valve before installing the water filtration system.
- Conforms to NSF/ANSI 53 for VOC reduction. See Table below for individual contaminants and reduction performance.



\*Class I particle size: > 0.5 um to > 1 um

\*\*This VOC performance accounts for 39 contaminant removals based on VOC surrogate testing

†Based on the use of polystyrene microsphere

‡Fibers greater than 10 um in length

**Performance data sheet reduction claims for organic chemicals included by surrogate testing**

<b>Substance</b>	<b>Influent challenge concentration (mg/L)</b>	<b>Maximum permissible product water concentration (mg/L)</b>
alachlor	0.050	0.001
altrazine	0.100	0.003
benzene	0.081	0.001
carbofuran	0.190	0.001
carbon tetrachloride	0.078	0.0018
chlorobenzene	0.077	0.001
chloropicrin	0.015	0.0002
2,4-d	0.110	0.0017
dibromochloropropane (DBCP)	0.052	0.00002
o-dichlorobenzene	0.080	0.001
p-dichlorobenzene	0.040	0.001
1,2-dichloroethane	0.088	0.0048
1,1-dichloroethylene	0.083	0.001
cis-1,2-dichloroethylene	0.170	0.0005
trans-1,2-dichloroethylene	0.086	0.001
1,2-dichloropropane	0.080	0.001
cis- 1,3-dichloropropylene	0.079	0.001
dinoseb	0.170	0.002
endrin	0.053	0.00059
ethylbenzene	0.088	0.001
ethylene dibromide (EDB)	0.044	0.00002
haloacetonitriles (HAN)		
bromochloroacetonitrile	0.022	0.0005
dibromoacetonitrile	0.024	0.0006
dichloroacetonitrile	0.0096	0.0002
trichloroacetonitrile	0.015	0.0003
haloketones (HK)		
1,1-dichloro-2-propanone	0.0072	0.0001
1,1,1-trichloro-2-propanone	0.0082	0.0003
heptachor	0.025	0.00001
heptachor epoxide	0.0107	0.0002
hexachlorobutadiene	0.044	0.001
hexachlorocyclopentadiene	0.060	0.000002
lindane	0.055	0.00001
methoxychlor	0.050	0.0001
pentachlorophenol	0.096	0.001
simazine	0.120	0.004

<b>Substance</b>	<b>Influent challenge concentration (mg/L)</b>	<b>Maximum permissible product water concentration (mg/L)</b>
styrene	0.150	0.0005
1,1,2,2-tetrachloroethane	0.081	0.001
tetrachloroethylene	0.081	0.001
toluene	0.078	0.001
2,4,5-TP (Silvex)	0.270	0.0016
tribromoacetic acid	0.042	0.001
1,2,4-trichlorobenzene	0.160	0.0005
1,1,1-trichloroethane	0.084	0.0046
1,1,2-trichloroethane	0.150	0.0005
trichloroethylene	0.180	0.0010
trihalomethanes (includes) chloroform (surrogate chemical) bromoform bromodichloromethane chlorodibromomethane	0.300	0.015
xylene (total)	0.070	0.001

Consumer Support **1-800-442-9991**  
By Whirlpool Corporation  
2000 North M63  
Benton Harbor, MI 49022

# SÉCURITÉ DU RÉFRIGÉRATEUR

## Votre sécurité et celle des autres sont très importantes.

Nous donnons de nombreux messages de sécurité importants dans ce manuel et sur votre appareil. Assurez-vous de toujours lire tous les messages de sécurité et de vous y conformer.



Voici le symbole d'alerte de sécurité.

Ce symbole d'alerte de sécurité vous signale les dangers potentiels de décès et de blessures graves.

Tous les messages de sécurité suivront le symbole d'alerte de sécurité et le mot « DANGER » ou « AVERTISSEMENT ». Ces mots signifient :

**▲ DANGER**

**Risque possible de décès ou de blessure grave si vous ne suivez pas immédiatement les instructions.**

**▲ AVERTISSEMENT**

**Risque possible de décès ou de blessure grave si vous ne suivez pas les instructions.**

Tous les messages de sécurité vous diront quel est le danger potentiel, comment réduire le risque de blessure et ce qui peut se produire en cas de non-respect des instructions.

## IMPORTANTES INSTRUCTIONS DE SÉCURITÉ

**AVERTISSEMENT :** Afin de réduire le risque d'incendie, de décharge électrique ou de blessures lors de l'utilisation de l'appareil, il convient d'observer certaines précautions fondamentales, notamment :

- Les enfants doivent être surveillés afin de s'assurer qu'ils ne jouent pas avec l'appareil.
- Cet appareil ne convient pas à une utilisation par des personnes (y compris des enfants) à capacités physiques, sensorielles ou mentales réduites, ou possédant un manque d'expérience et de connaissances, à moins qu'elles ne soient placées sous supervision ou qu'elles aient reçu des instructions concernant l'utilisation de l'appareil par une personne responsable de leur sécurité.
- Ne pas utiliser de câble de rallonge.
- Si le cordon d'alimentation est endommagé, il doit être remplacé par le fabricant, son agent de réparation ou toute autre personne qualifiée afin d'éviter tout danger.
- Brancher sur une alimentation en eau potable uniquement.
- Cet appareil est destiné à un usage domestique et à d'autres usages similaires comme : coins cuisine réservés au personnel des boutiques, des bureaux et d'autres environnements professionnels; maisons d'hôtes, ainsi que par les clients d'hôtel, de motels et d'autres installations d'hébergement; gîtes touristiques; et banquets et autres utilisations non commerciales semblables.
- Ne pas entreposer de substances explosives comme des aérosols avec agent propulseur inflammable dans cet appareil.
- Utiliser le nouvel ensemble de tuyaux fournis avec l'appareil, ne pas réutiliser les anciens tuyaux.
- Ne pas utiliser de pièces de remplacement qui n'ont pas été recommandées par le fabricant (c.-à-d., pièces fabriquées à la maison à l'aide d'une imprimante 3D).
- Garder les événements à l'intérieur de l'enceinte de l'appareil ou de la structure encastrée exempte d'obstacles.
- Ne pas utiliser des appareils mécaniques ou autres moyens pour accélérer le processus de dégivrage, autre que ceux recommandés par le fabricant.
- Ne pas endommager le circuit réfrigérant.
- Ne pas utiliser des appareils électriques à l'intérieur des compartiments d'aliments de l'appareil, à moins qu'ils soient de type recommandé par le fabricant.
- L'ensemble pour machine à glaçons peut être ajouté à certains modèles. Consulter la plaque signalétique située à l'intérieur du compartiment pour les aliments de l'appareil pour obtenir les informations concernant le modèle d'ensemble pour machine à glaçons.
- L'installation de la conduite d'eau et de la machine à glaçons doit être effectuée par un technicien de service qualifié. Consulter les instructions d'installation fournies avec l'ensemble pour machine à glaçons pour tous les détails.
- Ne pas installer un parasurtenseur ou un bloc d'alimentation portatif derrière l'appareil.
- Lors du positionnement de l'appareil, s'assurer que le cordon d'alimentation n'est pas coincé ou endommagé.
- Ne pas installer un parasurtenseur ou un bloc d'alimentation portatif derrière l'appareil.

**CONSERVER CES INSTRUCTIONS**

## Mise au rebut du vieux réfrigérateur

### **⚠ AVERTISSEMENT**



#### Risque de basculement

La partie du haut du réfrigérateur est très lourde, ce qui peut le faire basculer facilement lorsqu'il n'est pas complètement installé.

Garder les portes fermées avec du ruban jusqu'à la fin de l'installation du réfrigérateur.

Utiliser au moins deux personnes pour déplacer et installer le réfrigérateur.

Ne pas respecter cette instruction peut causer un décès ou une blessure grave.

**AVERTISSEMENT : Un enfant peut rester piégé. Avant de jeter votre vieux réfrigérateur ou congélateur :**

- Enlever les portes.
- Laisser les tablettes en place de sorte que les enfants ne puissent pas y pénétrer facilement.

### **⚠ AVERTISSEMENT**

#### Risque de suffoquer

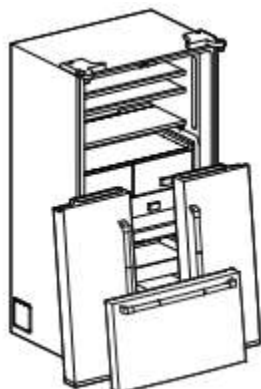
Enlever les portes ou le couvercle de votre vieil appareil.

Le non-respect de cette instruction peut causer un décès ou des lésions cérébrales.

**IMPORTANT :** Le risque qu'un enfant puisse se retrouver coincé et suffoquer n'est pas chose du passé. Les réfrigérateurs jetés ou abandonnés restent dangereux, même s'ils ne restent à l'extérieur que pour « quelques jours seulement ». Si l'ancien réfrigérateur doit être mis au rebut, suivre les instructions suivantes afin d'éviter les accidents.

**Informations importantes à connaître pour l'élimination du liquide réfrigérant :**

Jeter le réfrigérateur conformément aux règlements fédéraux et locaux. Les liquides réfrigérants doivent être évacués par un technicien en réfrigération accrédité EPA, conformément aux procédures établies.



## ENTRETIEN DU RÉFRIGÉRATEUR

### Nettoyage

### **⚠ AVERTISSEMENT**



#### Risque d'explosion

Risque d'incendie ou d'explosion.

Fluide frigorigène inflammable utilisé.

Ne pas utiliser d'appareils mécaniques pour dégivrer le réfrigérateur.

Ne pas perforer la tubulure de réfrigération.

Les sections de réfrigération et de congélation se dégivrent automatiquement. Toutefois, nettoyer les deux compartiments environ une fois par mois afin d'éviter toute accumulation d'odeurs. Essuyer immédiatement les renversements.

#### **IMPORTANT :**

- Comme l'air circule entre toutes les sections, toutes les odeurs formées dans une section seront transférées à l'autre. Toutes les sections doivent être nettoyées avec soin pour éliminer les odeurs. Pour éviter le transfert d'odeurs et l'assèchement des aliments, envelopper ou recouvrir hermétiquement les aliments.
- Ne pas utiliser de nettoyants puissants ou abrasifs tels que les nettoyants à vitre en atomiseurs, nettoyants à récuser, liquides inflammables, acide chlorhydrique, cires nettoyantes, détergents concentrés, agents de blanchiment ou nettoyants contenant du pétrole sur les portes et la caisse de l'appareil, pièces en plastique, les garnitures intérieures et garnitures de portes ou sur les joints de portes. Ne pas utiliser d'essuie-tout, de tampons à récuser ou un autre outil de nettoyage abrasif.
- Pour les modèles en acier inoxydable, l'acier inoxydable est résistant à la corrosion, mais non anticorrosion. Afin d'éviter l'oxydation de l'acier inoxydable, veiller à ce que les surfaces restent propres en suivant les instructions de nettoyage suivantes.

#### **Nettoyer l'écran d'affichage tactile du tableau de distribution/de la porte (sur certains modèles) :**

1. Pour éviter de modifier involontairement les réglages, s'assurer que le réfrigérateur est débranché ou que le courant électrique est déconnecté avant d'essuyer l'écran.
2. Préparer un mélange avec du détergent doux et de l'eau tiède. Humecter un chiffon doux sans charpie du mélange et essuyer doucement l'écran.

**REMARQUE :** Ne pas vaporiser ni essuyer de liquides directement sur l'écran, et ne pas saturer le chiffon de produit.

3. Brancher le réfrigérateur ou reconnecter la source de courant électrique.

## Nettoyage de l'intérieur :

**IMPORTANT :** Les tablettes du réfrigérateur équipées d'éclairage DEL par en dessous ne sont pas lavables au lave-vaisselle.

1. Débrancher le réfrigérateur ou déconnecter la source de courant électrique.
2. Laver à la main, rincer et sécher les pièces amovibles et les surfaces internes soigneusement. Utiliser une éponge propre ou un linge doux et un détergent doux dans de l'eau tiède.
3. Brancher le réfrigérateur ou reconnecter la source de courant électrique.

## Nettoyage de l'extérieur :

**IMPORTANT :** Les dommages au revêtement lisse en raison d'un mauvais usage des produits nettoyants ou de l'utilisation de produits nettoyants non recommandés ne sont pas couverts par la garantie. Des instruments aiguisés ou coupants dépareraient le revêtement.

1. Débrancher le réfrigérateur ou déconnecter la source de courant électrique.
2. À l'aide d'une éponge propre ou d'un chiffon doux et d'un détergent doux dans de l'eau tiède, laver, rincer et sécher soigneusement les pièces extérieures en acier inoxydable et surfaces métalliques peintes.

Pour que votre réfrigérateur en acier inoxydable conserve son aspect neuf et pour enlever les petites égratignures ou marques, il est suggéré d'utiliser le nettoyant et poli pour acier inoxydable approuvé par le fabricant. Ce nettoyant doit être utilisé sur les pièces en acier inoxydable uniquement. Consulter le Guide de démarrage rapide pour les informations de commande.

**REMARQUE :** Lors du nettoyage de l'acier inoxydable, toujours frotter dans le sens du grain afin d'éviter d'érafler la surface.

Veiller à ce que le nettoyant et poli pour acier inoxydable n'entre pas en contact avec les pièces de plastique comme les garnitures, couvercles de distributeurs ou joints de porte. En cas de contact non intentionnel, nettoyer la pièce de plastique avec une éponge et un détergent doux dans de l'eau tiède. Sécher soigneusement avec un chiffon doux.

3. Brancher le réfrigérateur ou reconnecter la source de courant électrique.

## Style 1 : Porte lisse/métal peint

UTILISER	NE PAS UTILISER
<ul style="list-style-type: none"> <li>■ Chiffon doux et propre</li> </ul>	<ul style="list-style-type: none"> <li>■ Chiffons abrasifs</li> <li>■ Essuie-tout ou papier journal</li> <li>■ Tampons de laine d'acier</li> </ul>
<ul style="list-style-type: none"> <li>■ Eau tiède et savonneuse avec détergent doux</li> </ul>	<ul style="list-style-type: none"> <li>■ Poudres ou liquides abrasifs</li> <li>■ Nettoyants à vitre en vaporisateur</li> <li>■ Ammoniaque</li> <li>■ Nettoyants acides ou à base de vinaigre</li> <li>■ Nettoyants à four</li> <li>■ Fluides inflammables</li> </ul>

**REMARQUE :** Les essuie-tout peuvent érafler et ternir le revêtement transparent de la porte peinte. Afin d'éviter tout dommage éventuel, utiliser des chiffons en tissu doux pour polir et essuyer les portes.

## Style 2 : Acier inoxydable

UTILISER	NE PAS UTILISER
<ul style="list-style-type: none"> <li>■ Chiffon doux et propre</li> </ul>	<ul style="list-style-type: none"> <li>■ Chiffons abrasifs</li> <li>■ Essuie-tout ou papier journal</li> <li>■ Tampons de laine d'acier</li> </ul>
<ul style="list-style-type: none"> <li>■ Eau tiède et savonneuse avec détergent doux</li> </ul>	<ul style="list-style-type: none"> <li>■ Poudres ou liquides abrasifs</li> <li>■ Ammoniaque</li> <li>■ Nettoyants à base d'agrumes</li> <li>■ Nettoyants acides ou à base de vinaigre</li> <li>■ Nettoyants à four</li> </ul>
<ul style="list-style-type: none"> <li>■ Pour les saletés importantes, utiliser seulement le nettoyant et poli pour acier inoxydable approuvé par le fabricant</li> </ul>	<ul style="list-style-type: none"> <li>■ Poudres ou liquides abrasifs</li> <li>■ Ammoniaque</li> <li>■ Nettoyants à base d'agrumes</li> <li>■ Nettoyants acides ou à base de vinaigre</li> <li>■ Nettoyants à four</li> <li>■ Chiffons abrasifs</li> <li>■ Essuie-tout ou papier journal</li> <li>■ Tampons de laine d'acier</li> </ul>

## REMARQUES :

- En cas de contact non intentionnel, nettoyer la pièce de plastique avec une éponge et un détergent doux dans de l'eau tiède. Sécher soigneusement au moyen d'un chiffon doux.
- Ne pas exposer les électroménagers en acier inoxydable à des éléments caustiques ou corrosifs tels que le sel, un niveau élevé d'humidité ou des environnements très humides. Les dommages causés par l'exposition à de tels éléments ne sont pas couverts par la garantie.
- Un nettoyant sous forme liquide ne signifie pas forcément qu'il n'est pas abrasif. Beaucoup de nettoyants liquides formulés pour nettoyer le carrelage et autres surfaces lisses en douceur peuvent tout de même endommager l'acier inoxydable.
- Lors du nettoyage de l'acier inoxydable, toujours frotter dans le sens du grain afin d'éviter d'érafler la surface.
- L'acide citrique décolore l'acier inoxydable de façon définitive. Afin d'éviter d'endommager le fini en acier inoxydable du réfrigérateur :

**Ne pas laisser les produits suivants pendant une durée prolongée sur le revêtement :**

- Moutarde
- Jus de tomates
- Sauce marinara
- Sauces à base d'agrumes
- Produits à base d'agrumes

## Nettoyage du condensateur

### **⚠ AVERTISSEMENT**



#### **Risque d'explosion**

**Risque d'incendie ou d'explosion causé par la perforation de la tubulure de réfrigération;**

**suivre avec attention les instructions de manipulation.**

**Fluide frigorigène inflammable utilisé.**

Le condensateur n'a pas besoin d'être nettoyé souvent dans des conditions de fonctionnement domestique normales. Si l'environnement est particulièrement gras, poussiéreux ou s'il y a des animaux domestiques dans la maison, le condensateur devrait être nettoyé tous les 6 mois pour assurer une efficacité maximum.

**Communiquer avec le service si le condensateur a besoin d'être nettoyé.**

## Changement de lampes

**IMPORTANT :** Les lampes des compartiments de réfrigération et de congélation utilisent la technologie DEL. Si les lampes ne s'allument pas lorsqu'on ouvre la porte, appeler les numéros fournis pour obtenir de l'aide ou un dépannage. Consulter le « Guide de démarrage rapide » pour les coordonnées.

## Tablettes du réfrigérateur

### **Informations importantes à propos des tablettes et des couvercles en verre :**

Ne pas nettoyer les tablettes ou les couvercles de verre avec de l'eau tiède lorsqu'ils sont froids. Les tablettes et couvercles peuvent se briser s'ils sont exposés à un changement de températures ou impact soudain, tel qu'une chute. Le verre trempé est conçu pour se briser en de multiples petits morceaux de la taille de gravillons. Ceci est normal. Les tablettes en verre et les couvercles sont lourds. Employer les deux mains lorsqu'on les retire afin d'éviter de les faire tomber.

Les tablettes de réfrigérateur sont réglables pour s'adapter aux besoins de rangement de l'utilisateur.

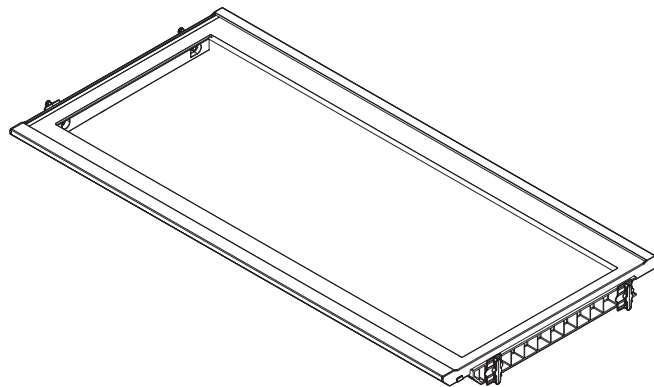
Afin de pouvoir trouver plus facilement l'article recherché, on peut remiser ensemble des aliments semblables dans le réfrigérateur et ajuster les tablettes pour les adapter aux différentes tailles d'articles. Ceci réduira également la durée d'ouverture de la porte du réfrigérateur et permettra d'économiser de l'énergie.

### **Tablette pleine largeur (sur certains modèles)**

#### **Enlever et réinstaller la tablette pleine largeur :**

1. Retirer les articles de la tablette.
2. Soulever doucement la tablette avec les deux mains jusqu'à ce qu'elle soit dégagée des supports latéraux.

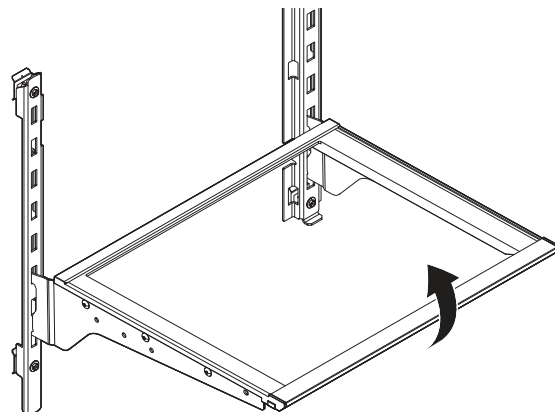
3. Faire glisser la tablette tout doucement hors du réfrigérateur. Ne pas laisser la tablette toucher les parois latérales du réfrigérateur ou les portes.



### **Tablette de demi-largeur (sur certains modèles)**

#### **Enlever et réinstaller la tablette de demi-largeur :**

1. Retirer les articles de la tablette.
2. Incliner l'avant de la tablette vers le haut. Soulever la tablette hors de ses supports.
3. Réinstaller la tablette en dirigeant les crochets arrière de la tablette dans les supports de tablette. Incliner l'avant de la tablette vers le haut jusqu'à ce que les crochets arrière de la tablette s'insèrent dans les supports de tablette.
4. Abaisser l'avant de la tablette. S'assurer que la tablette est dans la bonne position.

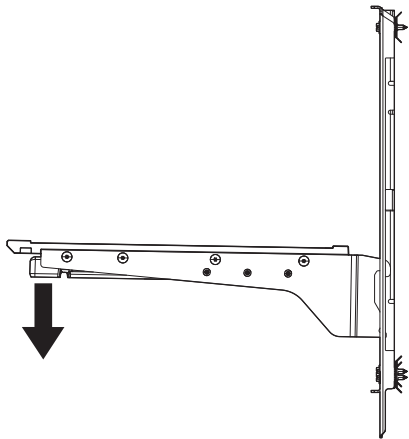


### Tablette imbriquée (sur certains modèles)

Cette tablette s'agrandit pour créer un espace de rangement supplémentaire sous la tablette.

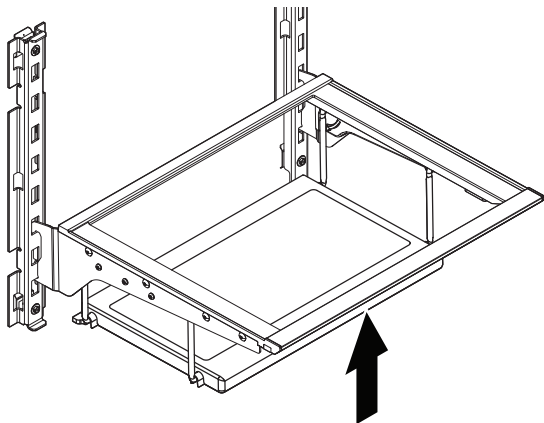
#### Pour agrandir la tablette :

1. Abaisser la partie inférieure de la tablette avec les doigts jusqu'à ce qu'elle soit complètement abaissée.



#### Refermer la tablette :

1. Retirer tout aliment placé sur la surface inférieure.
2. Pousser la partie inférieure de la tablette avec les doigts jusqu'à ce qu'elle soit repliée et fixée à la partie principale de la tablette.
3. Un aimant maintient la tablette en place dans la position supérieure, la tablette reste en place d'elle-même.

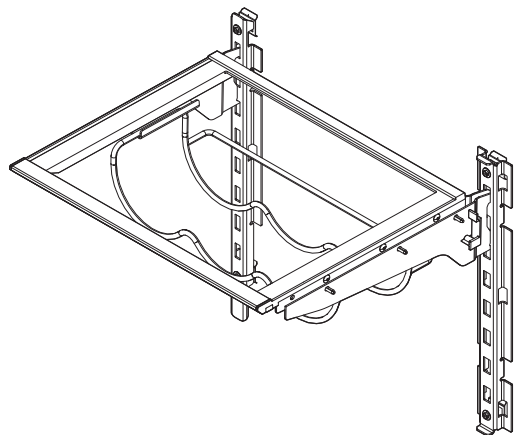


### Casier à vin (sur certains modèles)

Sous une des tablettes, des équerres de support sont accrochées sur les crémaillères (une équerre sur chaque crémaillère). Le casier à vin est accroché sur les équerres.

#### Retrait et réinstallation du casier à vin :

1. Retrait – Soulever le casier à vin pour le dégager de ses supports. Comprimer le côté droit (vers l'intérieur) pour le libérer totalement du support incorporé à l'équerre. Abaisser légèrement le côté droit, puis dégager le côté gauche du support incorporé à l'équerre de gauche.
2. Réinstaller le casier à vin en insérant le côté gauche du casier dans le support. Comprimer le côté droit (vers l'intérieur) pour pouvoir faire glisser ce côté dans le support incorporé à l'équerre de droite.

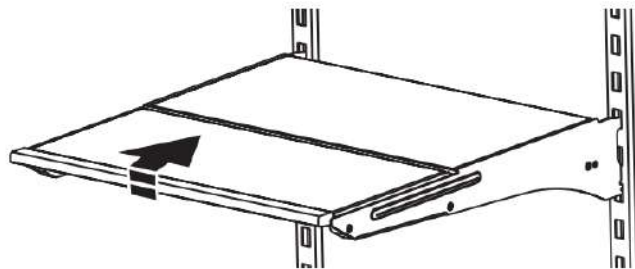


### Tablette escamotable/coulissante (sur certains modèles)

Certaines tablettes se rabattent ou coulissent pour créer de la place pour des articles plus grands.

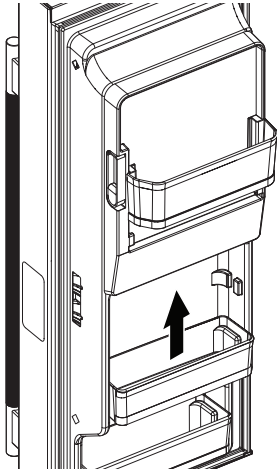
#### Pour rétracter et déployer la section avant de la tablette :

1. Pour rétracter la section avant de la tablette, soulever légèrement le rebord avant et repousser la partie escamotable de la tablette vers l'arrière du réfrigérateur.
2. Déployer l'avant de la tablette en tirant sur la partie rétractée de la tablette jusqu'à ce qu'elle soit complètement déployée.



## Balconnets de porte du réfrigérateur

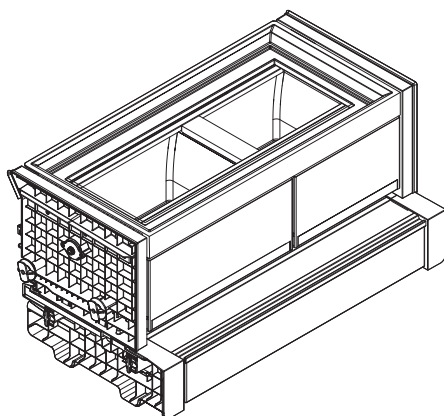
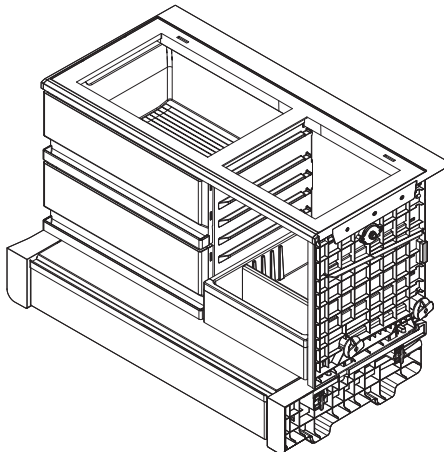
Les balconnets dans les portes du réfrigérateur sont réglables afin de s'adapter à vos besoins de rangement.



## Tiroirs à légumes et garde-manger

Retrait et réinstallation des tiroirs :

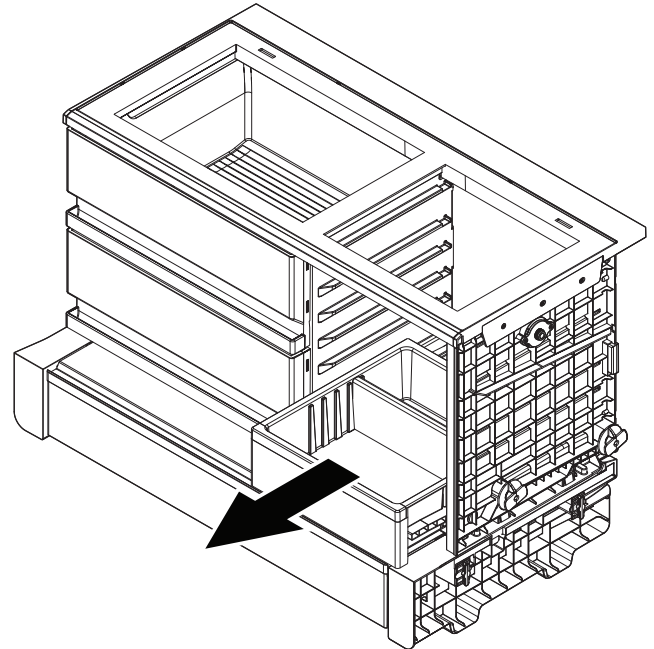
1. Saisir la poignée au bas du tiroir et soulever l'avant du tiroir jusqu'à passer la butée du tiroir et extraire le tiroir en le faisant glisser vers l'extérieur jusqu'à la butée. Retirer le tiroir des guides inférieurs.
2. Replacer le tiroir en le plaçant sur la glissière inférieure du tiroir et en le poussant au-delà de la butée d'arrêt du tiroir.



## Tablette de rangement à plateau (sur certains modèles)

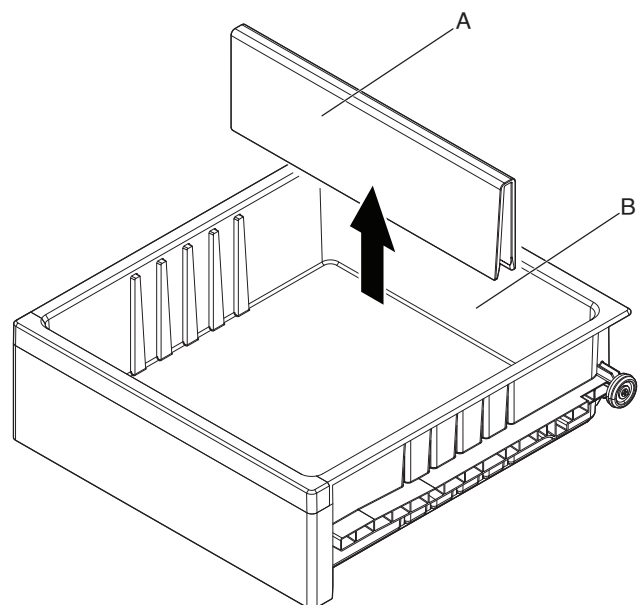
Retrait et réinstallation de la tablette de rangement à plateau :

1. Tirer sur la tablette de rangement à plateau en position complètement ouverte.
2. Soulever vers le haut et l'extérieur des glissières ou glisser vers l'avant du réfrigérateur.
3. Replacer la tablette en la plaçant sur les guides inférieurs de la tablette et en la poussant au-delà de la butée d'arrêt de la tablette.



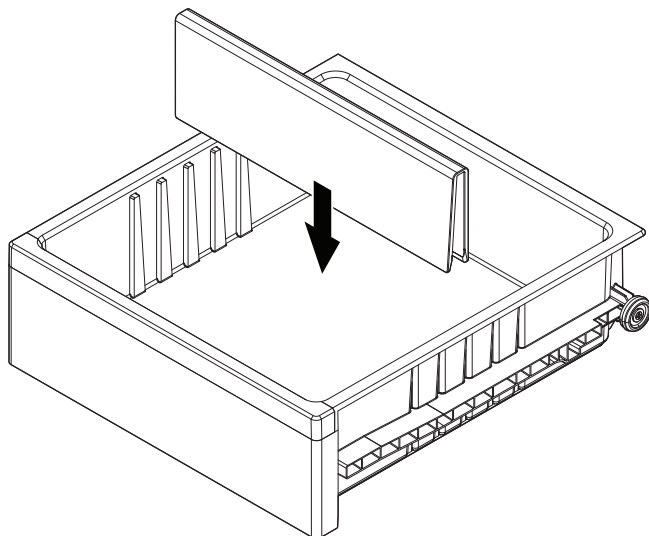
Retrait ou réinstallation du séparateur de tablette de rangement à plateau :

1. Le séparateur de tablette peut être retiré ou remplacé dans différentes positions.
2. Soulever le séparateur pour le retirer des nervures de positionnement.



A. Séparateur  
B. Tablette de rangement à plateau

- Placer le séparateur dans sa nouvelle position. Pousser le séparateur vers le bas jusqu'à ce qu'il soit bien fixé.

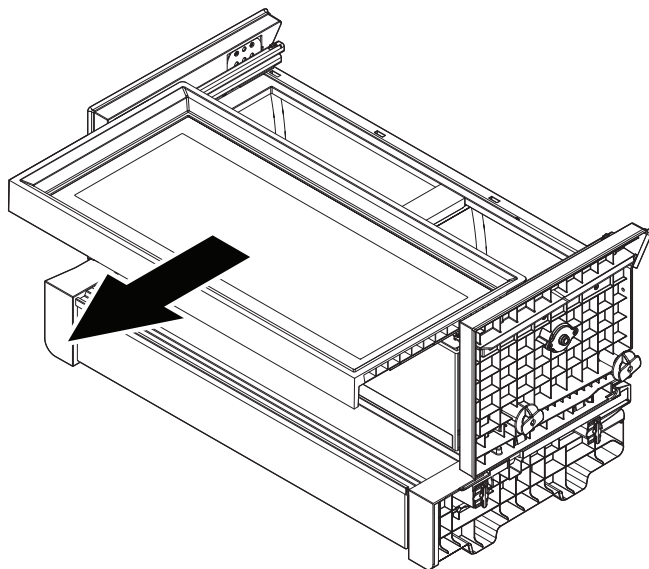


A. Séparateur  
B. Tablette de rangement à plateau

### Tablette de rangement à plateau (sur certains modèles) :

#### Retrait et réinstallation de la tablette de rangement à plateau :

- Tirer sur la tablette de rangement à plateau en position complètement ouverte.
- Soulever vers le haut et l'extérieur des glissières ou glisser vers l'avant du réfrigérateur.
- Replacer la tablette en la plaçant sur les guides inférieurs de la tablette et en la poussant au-delà de la butée d'arrêt de la tablette.

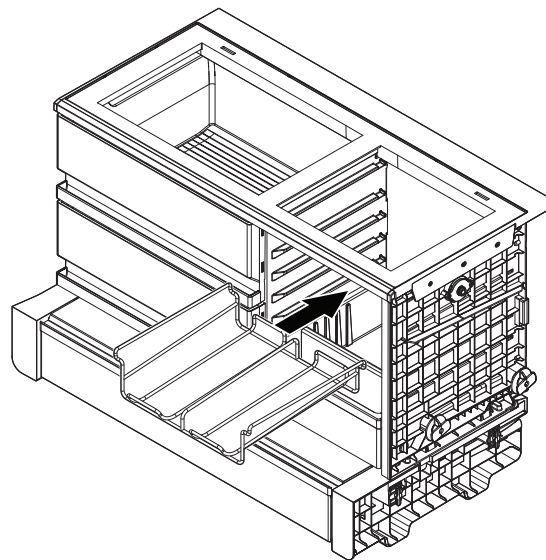


### Panier à canettes de la tablette de rangement à plateau (sur certains modèles à titre d'accessoire seulement) :

#### Retrait et réinstallation du panier à canettes de la tablette de rangement à plateau :

- Les parois latérales du bac à légumes sont munies de supports pour le panier à canettes.
- Placer le panier à canettes sur les supports latéraux.

- S'assurer que le panier à canettes est bien fixé. Il est maintenant possible de placer des canettes sur le panier.



### Couvercle du bac à légumes

#### Retrait du couvercle des tiroirs à légumes :

- Retirer le plateau du bac à légumes, l'espace de rangement à plateau et le verre du bac à légumes avant d'ôter le bac à légumes.
- En maintenant fermement l'encart de verre d'une main, appuyer sur le milieu de l'encart de verre jusqu'à ce qu'il s'élève au-dessus du cadre en plastique. Faire glisser lentement l'encart de verre vers l'avant pour le retirer.
- Soulever le cadre du couvercle et le retirer.

#### Remise en place du couvercle des tiroirs à légumes :

- Placer l'arrière du cadre du couvercle dans les supports des parois latérales du réfrigérateur. Abaisser l'avant du cadre du couvercle pour le mettre en place.
- Faire glisser l'encart arrière de verre dans le cadre du couvercle et abaisser l'avant pour le mettre en place.

### Ouverture et fermeture des portes

Il y a deux portes pour le compartiment de réfrigération. Les portes peuvent être ouvertes et fermées séparément ou ensemble. Sur certains modèles, il y a un mécanisme de fermeture automatique évitant que la ou les portes ne restent ouvertes de façon involontaire. Si la porte est ouverte à un angle de 40° ou moins, elle se refermera automatiquement en douceur.

Il y a sur la porte de gauche du réfrigérateur un joint à charnière verticale.

- Lors de l'ouverture de la porte du côté gauche, le joint à charnière se replie automatiquement vers l'intérieur pour qu'il n'y ait pas d'interférence.
- Lorsque les deux portes sont fermées, le joint à charnière assure automatiquement l'étanchéité entre les deux portes.

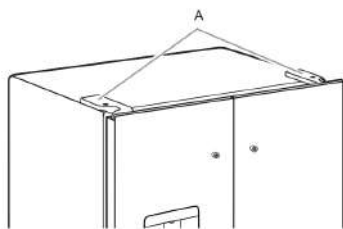


A. Joint à charnière

Le commutateur de la porte du réfrigérateur est situé dans le coin supérieur gauche et le couvre-charnière de droite. Le commutateur de la porte du congélateur est situé sur le côté droit de l'adaptateur latéral du congélateur.

- Le commutateur de porte utilise un aimant pour capter l'ouverture et la fermeture de la porte.
- S'assurer qu'aucun aimant ou appareil électronique (enceinte, CoolVox®, etc.) ne se trouve à moins de 3 po du couvre-charnière et de l'adaptateur du côté droit du congélateur.

**REMARQUE :** L'éclairage et l'interface utilisateur (IU) intérieure ne se mettent pas en marche s'il n'y a pas de détection d'ouverture de porte.



A. Couvre-charnière

## Précautions à prendre avant les vacances ou le déménagement

### Mode Vacation (Vacances)

**Si le réfrigérateur est laissé en marche pendant une absence :**

1. Consommer toutes les denrées périssables et congeler les autres articles.
2. Si le réfrigérateur comporte une machine à glaçons automatique et qu'il est raccordé à la source d'approvisionnement en eau du domicile, fermer la source d'approvisionnement en eau du réfrigérateur. Des dommages matériels peuvent subvenir si l'alimentation en eau n'est pas coupée.
3. Si votre machine à glaçons est automatique, éteindre la machine à glaçons.

**REMARQUE :** Selon le modèle, la machine à glaçons automatique peut être située dans le congélateur et/ou dans la porte gauche du réfrigérateur.

- Pour désactiver la machine à glaçons du congélateur, placer le commutateur sur Off (Arrêt).
- Pour désactiver la machine à glaçons automatique dans la porte du réfrigérateur, l'éteindre à l'aide de l'IHM. Voir la section « Distributeurs d'eau et de glaçons ».

4. Vider le bac à glaçons.

Modèles avec fonction Vacation mode (mode vacances)

- Activer Vacation mode (mode vacances). Consulter le « Guide de démarrage rapide » pour les détails.

**REMARQUE :** L'activation du mode « vacances » ne désactive pas la machine à glaçons.

**Si l'utilisateur choisit d'arrêter le réfrigérateur avant son absence :**

1. Enlever tous les aliments du réfrigérateur.
2. Si le réfrigérateur est équipé d'une machine à glaçons automatique :
  - Fermer l'approvisionnement en eau de la machine à glaçons au moins un jour à l'avance.
  - Lorsque les derniers glaçons tombent, placer le commutateur de la machine à glaçons ou des commandes de l'UI sur OFF (ARRÊT), selon le modèle.
3. Vider le bac à glaçons.
4. Éteindre la/les commande(s) de température. Voir le « Guide de démarrage rapide ».
5. Nettoyer le réfrigérateur, l'essuyer et bien le sécher.
6. À l'aide d'un ruban adhésif, placer des blocs de caoutchouc ou de bois dans la partie supérieure de chaque porte de façon à ce qu'elles soient suffisamment ouvertes pour permettre à l'air d'entrer et d'éviter l'accumulation d'odeur ou de moisissure.

### Déménagement

En cas de déménagement et de déplacement du réfrigérateur dans une nouvelle habitation, suivre ces étapes pour préparer le déménagement.

1. Si le réfrigérateur est équipé d'une machine à glaçons automatique :
  - Fermer l'approvisionnement en eau de la machine à glaçons au moins un jour à l'avance.
  - Débrancher la canalisation d'eau de l'arrière du réfrigérateur.
  - Lorsque les derniers glaçons tombent, placer le commutateur de la machine à glaçons ou des commandes de l'UI sur OFF (ARRÊT), selon le modèle.
2. Enlever tous les aliments du réfrigérateur et du congélateur.
3. Vider le bac à glaçons.
4. Éteindre la/les commande(s) de température. Voir le « Guide de démarrage rapide ».
5. Débrancher le réfrigérateur.
6. Bien nettoyer, essuyer et sécher.
7. Retirer toutes les pièces amovibles, bien les envelopper et les attacher ensemble avec du ruban adhésif pour qu'elles ne bougent et ne s'entrechoquent pas durant le déménagement.
8. Selon le modèle, soulever l'avant du réfrigérateur pour qu'il roule plus facilement ou soulever les pieds de nivellement pour qu'ils n'égratignent pas le plancher. Voir les sections « Ajustement des portes » ou « Fermeture et alignement des portes ».
9. Fermer les portes à l'aide de ruban adhésif et fixer le cordon d'alimentation à la partie arrière du réfrigérateur.

Une fois arrivé à votre nouveau domicile, remettre tout en place et consulter la section des « Instructions d'installation » pour des instructions sur la préparation de l'appareil. Aussi, si le réfrigérateur comporte une machine à glaçons automatique, ne pas oublier de rebrancher l'approvisionnement en eau au réfrigérateur.

## Mode Sabbath (Sabbat)

Votre réfrigérateur est muni du mode Sabbath (Sabbat), lequel est conçu pour les personnes dont les pratiques religieuses requièrent d'éteindre les lumières et la machine à glaçons.

En sélectionnant cette fonction :

- Les réglages de température et du bac pour spécialités alimentaires ne changent pas.
- Les DEL des commandes électroniques ne s'afficheront pas.
- Le bouton Sabbath (Sabbat) sera le seul allumé.
- Aucune distribution d'eau ou de glaçons.
- Aucune alarme ne résonnera.
- L'éclairage à l'intérieur sera éteint.
- Le produit n'aura aucune réaction à l'ouverture de la porte.

Pour un fonctionnement plus efficace du réfrigérateur, il est recommandé de sortir du mode Sabbath lorsque celui-ci n'est plus nécessaire.

Pour activer complètement le mode Sabbath, suivre les instructions ci-dessous pour le tableau de commande.

**IMPORTANT :** Si le mode Sabbath n'est pas activé selon les deux procédés ci-dessous, certaines fonctions que vous souhaitez désactiver resteront actives.

### TABLEAU DE COMMANDE

En mode Sabbath, les points de réglage de température restent inchangés et les lampes intérieures sont éteintes.

1. Pour activer le mode Sabbath, appuyer sur le bouton Sabbath (Sabbat) situé sur le distributeur ou sur les commandes internes et maintenir le bouton enfoncé pendant 3 secondes.
2. Appuyer de nouveau pendant 3 secondes sur le bouton Sabbath (Sabbat) pour désactiver ce mode. Mettre la machine à glaçons en marche.

**REMARQUE :** Si l'appareil est en mode Sabbath (Sabbat) lorsqu'une panne de courant se produit, il restera en mode Sabbath (Sabbat) une fois la panne terminée.

## INSTRUCTIONS D'INSTALLATION

### Déballage du réfrigérateur

#### **⚠ AVERTISSEMENT**

**Risque de poids excessif**

**Utiliser deux personnes ou plus pour déplacer et installer l'appareil.**

**Le non-respect de cette instruction peut causer une blessure au dos ou d'autres blessures.**

### Livraison du réfrigérateur

- Une ouverture de porte minimum de 30 po (762 mm) est nécessaire. Si l'ouverture est inférieure ou égale à 36 po (914 mm), il faudra enlever les portes, tiroirs et charnières.
- Pousser le chariot avec le réfrigérateur de côté pour toutes les ouvertures de porte.

## Retrait des matériaux d'emballage

- Le produit est dans sa boîte en carton. Elle comporte des instructions écrites sur la façon de déballer le réfrigérateur. Suivre ces instructions.
- Enlever tout résidu de ruban adhésif et de colle des surfaces avant de mettre en marche votre tiroir de réfrigération. Frotter une petite quantité de savon liquide à vaisselle sur l'adhésif avec les doigts. Rincer à l'eau tiède et sécher.
- Ne pas utiliser d'instruments coupants, d'alcool à friction, de liquides inflammables ou de nettoyants abrasifs pour enlever le ruban adhésif ou la colle. Ces produits peuvent endommager la surface du réfrigérateur. Pour plus de renseignements, voir la section « Sécurité du réfrigérateur ».
- Éliminer/recycler tous les matériaux d'emballage.

### Lors du déplacement du réfrigérateur :

Ce réfrigérateur est lourd. Lors du déplacement de ce réfrigérateur pour un nettoyage ou un entretien, veiller à recouvrir le plancher d'un carton ou panneau de fibre dur pour éviter de l'endommager. Toujours tirer le réfrigérateur tout droit lors du déplacement. Ne pas incliner le réfrigérateur d'un côté ou de l'autre ni le « faire marcher » en essayant de le déplacer, car le sol pourrait être endommagé.

### Nettoyage avant utilisation

Après avoir enlevé tous les matériaux d'emballage, nettoyer l'intérieur du réfrigérateur avant de l'utiliser. Voir les instructions de nettoyage dans la section « Entretien du réfrigérateur ».

### Informations importantes à propos des tablettes et des couvercles en verre :

Ne pas nettoyer les tablettes ou les couvercles de verre avec de l'eau tiède lorsqu'ils sont froids. Les tablettes et couvercles peuvent se briser s'ils sont exposés à un changement de températures ou impact soudain, tel qu'une chute. Le verre trempé est conçu pour se briser en de multiples petits morceaux de la taille de gravillons. Ceci est normal. Les tablettes en verre et les couvercles sont lourds. Employer les deux mains lorsqu'on les retire afin d'éviter de les faire tomber.

## Exigences d'emplacement

#### **⚠ AVERTISSEMENT**



**Risque d'explosion**

**Garder les matières et les vapeurs inflammables, telles que l'essence, à l'écart de l'appareil.**

**Utiliser un produit de nettoyage ininflammable.**

**Le non-respect de ces instructions peut causer un décès, une explosion ou un incendie.**

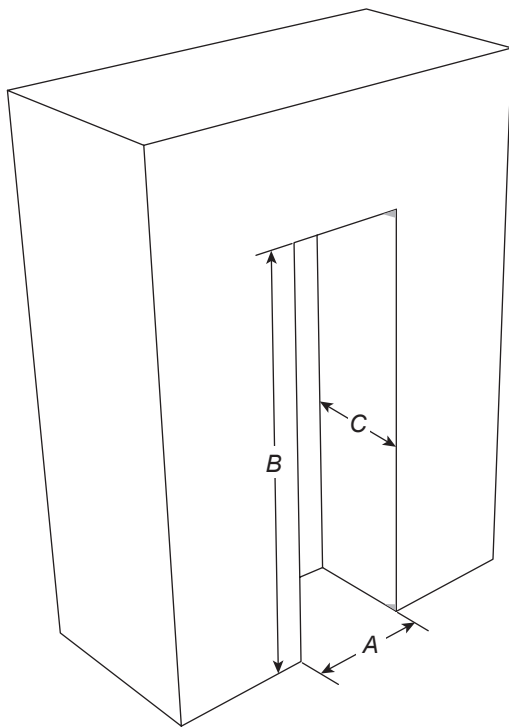
**IMPORTANT :** Cet appareil est destiné à un usage domestique à l'intérieur et à d'autres usages similaires comme :

- résidences fermières et utilisation par les clients d'hôtels, de motels et d'autres types de résidences;
- Environnements de type chambres d'hôtes;
- Banquets et autres utilisations non commerciales semblables.

**REMARQUE :** Si le fabricant souhaite réduire l'utilisation de l'appareil à des valeurs inférieures à ce qui est mentionné ci-dessus, la mention doit être clairement indiquée dans les instructions.

Pour obtenir une aération appropriée pour le réfrigérateur, laisser un espace de 3/16 po (4,8 mm) de chaque côté et 1/4 po (6,4 mm) au sommet. Laisser un espace de 1 po (25,4 mm) derrière le réfrigérateur. Si le réfrigérateur comporte une machine à glaçons, s'assurer qu'un espace additionnel est prévu à l'arrière pour permettre les raccordements des conduits d'eau. Si le réfrigérateur est installé près d'un mur fixe, laisser un minimum de 3 3/4 po (95 mm) entre le réfrigérateur et le mur pour permettre à la porte de s'ouvrir sans obstruction.

**REMARQUE :** Ce réfrigérateur est conçu pour être utilisé dans un endroit où la température est comprise entre un minimum de 50 °F (10 °C) et un maximum de 110 °F (43 °C). La plage de température ambiante idéale pour un rendement optimal est comprise entre 60 °F (15 °C) et 90 °F (32 °C). Respecter cette plage de température permet aussi de réduire la consommation d'électricité et d'optimiser l'efficacité du refroidissement. Il est recommandé de ne pas installer le réfrigérateur près d'une source de chaleur comme un four ou un radiateur.



UGS	Largeur (A)	Hauteur (B)	Profondeur (C)
KRFC236S*; WRFC3036R*; WRFC5036R*; WRFC5236R*; WRMC5036R*; WRMC7036R*; WRFC7036R*; KRFC636S*; KRFC536S*	36 po (914,6 mm)	70 3/16 po (1 782,4 mm)	30 1/2 po (774 mm)
KRFC336S*; JFFCCI72S*; KRFC936S*; KRFC736S*; JFFCCE72S*		72 1/8 po (1832,4 mm)	

## Spécifications électriques

### ⚠ AVERTISSEMENT



#### Risque de décharge électrique

**Brancher l'appareil sur une prise à 3 alvéoles reliée à la terre.**

**Ne pas enlever la prise de liaison à la terre.**

**Ne pas utiliser d'adaptateur.**

**Ne pas utiliser de rallonge.**

**Le non-respect de ces instructions peut causer un décès, un incendie ou une décharge électrique.**

Avant de placer le réfrigérateur à son emplacement final, il est important de s'assurer d'avoir la connexion électrique appropriée.

Si le cordon d'alimentation est endommagé, il doit être remplacé par le fabricant, son agent de service ou toute autre personne également qualifiée. Ne pas utiliser un cordon craquelé ou qui présente des dommages d'abrasion sur la gaine, la fiche ou le connecteur.

#### Méthode recommandée de liaison à la terre

Un circuit de 115 V CA à 60 Hz relié à la terre et protégé par un fusible de 15 A ou 20 A est requis. On recommande que le réfrigérateur et les accessoires approuvés soient alimentés par un circuit indépendant. Utiliser une prise de courant dont l'alimentation ne peut pas être interrompue par un interrupteur. Ne pas utiliser de rallonge.

**IMPORTANT :** ce produit est connecté à une prise protégée par un disjoncteur de fuite à la terre, un déclenchement intempestif peut se produire et causer une perte de refroidissement. La qualité et la saveur des aliments risquent d'être affectées. Si un déclenchement intempestif se produit et si les aliments semblent de piètre qualité, jeter les aliments.

**REMARQUE :** Avant d'effectuer tout type d'installation ou de nettoyage, débrancher le réfrigérateur de la source d'alimentation électrique. Une fois l'opération terminée, rebrancher le réfrigérateur à la source de courant électrique et remettre au réglage désiré. Voir le « Guide de démarrage rapide ».

## Spécifications de l'alimentation en eau

Rassembler les outils et pièces nécessaires avant d'entreprendre l'installation. Lire et observer les instructions fournies avec chacun des outils de la liste ci-dessous.

#### Outils requis :

- Tournevis à tête plate
- Clés plates de 7/16 po et 1/2 po ou deux clés à molette
- Tourne-écrou de 1/4 po
- Foret de 1/4 po
- Perceuse sans fil

- Brancher sur une alimentation en eau potable uniquement. Ne pas utiliser ce produit pour filtrer une eau microbiologiquement polluée ou de qualité inconnue en l'absence d'un dispositif de désinfection adéquat en amont ou en aval du système. Les systèmes certifiés pour la réduction des kystes peuvent être utilisés pour une eau désinfectée susceptible de contenir des kystes filtrables.
- Toutes les installations doivent être conformes aux exigences des codes locaux de plomberie.
- Ne pas employer de robinet d'arrêt à étrier de 3/16 po (4,76 mm) ou de type à percer, ils réduisent le débit d'eau et s'obstruent plus facilement.
- Utiliser un tuyau en cuivre ou en polyéthylène réticulé et vérifier qu'il n'y a pas de fuite. Installer seulement des tuyaux en cuivre ou en polyéthylène réticulé là où les températures resteront au-dessus du point de congélation.
- Pour les modèles avec filtre à eau, le filtre à eau jetable doit être remplacé au moins tous les 6 mois.

### Pression d'eau

Une alimentation en eau froide avec une pression entre 20 lb/po<sup>2</sup> et 145 lb/po<sup>2</sup> (138 kPa et 1000 kPa) est nécessaire pour faire fonctionner le distributeur d'eau et la machine à glaçons. Pour toute question au sujet de la pression de l'eau, faire appel à un plombier qualifié agréé.

**REMARQUE :** Si la pression en eau est inférieure aux critères minimaux, le débit du distributeur d'eau pourrait diminuer ou entraîner la formation de glaçons creux ou de forme irrégulière.

### Alimentation en eau par osmose inverse

**IMPORTANT :** La pression de l'alimentation en eau entre le système d'osmose inverse et le robinet d'arrivée d'eau du réfrigérateur doit être entre 20 lb/po<sup>2</sup> et 145 lb/po<sup>2</sup> (138 kPa à 1000 kPa).

Si un système de filtration de l'eau par osmose inverse est raccordé à votre alimentation en eau froide, la pression de l'eau au système doit être d'un minimum de 40 lb/po<sup>2</sup> à 60 lb/po<sup>2</sup> (276 kPa à 414 kPa).

Si la pression d'eau au système de filtration par osmose inverse est inférieure à 40 lb/po<sup>2</sup> à 60 lb/po<sup>2</sup> (276 kPa à 414 kPa) :

- Vérifier que le filtre à sédiment dans le système à osmose inverse n'est pas obstrué. Remplacer le filtre si nécessaire.
- Laisser le réservoir du système d'osmose inverse se remplir après une utilisation intense. La capacité du réservoir est peut-être trop faible pour répondre aux spécifications du réfrigérateur.

**REMARQUE :** Un système d'osmose inverse monté sur robinet est déconseillé.

- Si le réfrigérateur comporte un filtre à eau, celui-ci peut réduire la pression de l'eau lorsqu'il est utilisé avec un système d'osmose inverse. Enlever le filtre à eau. Voir « Filtres et accessoires ».

Pour toute question au sujet de la pression de l'eau, faire appel à un plombier qualifié agréé.

## Raccordement à la conduite d'eau

Lire toutes les instructions avant de commencer.

### IMPORTANT :

- Réaliser l'installation de plomberie conformément aux prescriptions du International Plumbing Code et des normes et codes locaux en vigueur.
- Le tuyau d'eau gris situé à l'arrière du réfrigérateur (et utilisé pour raccorder l'appareil à la canalisation d'eau du domicile) est un tuyau en polyéthylène réticulé. Il est possible d'utiliser des raccords en cuivre ou en polyéthylène réticulé pour le raccordement de la canalisation d'eau du domicile au réfrigérateur; ils contribuent à éviter que l'eau ait un goût ou une odeur désagréable. Vérifier qu'il n'y a pas de fuites. Si on utilise un tube en polyéthylène réticulé au lieu d'un tube en cuivre, nous recommandons les numéros de pièce suivants : W10505928RP (PEX chemisé de 7 pi [2,14 m]), 8212547RP (PEX de 5 pi [1,52 m]) ou W10267701RP (polyéthylène réticulé de 25 pi [7,62 m]).
- Installer des tubes seulement là où les températures resteront au-dessus du point de congélation.
- Brancher sur une alimentation en eau a potable uniquement. Ne pas utiliser ce produit pour filtrer une eau microbiologiquement polluée ou de qualité inconnue en l'absence d'un dispositif de désinfection adéquat en amont ou en aval du système. Les systèmes certifiés pour la réduction des kystes peuvent être utilisés pour une eau désinfectée susceptible de contenir des kystes filtrables.

### Outils requis :

Rassembler les outils et pièces nécessaires avant d'entreprendre l'installation.

- Tournevis à tête plate
- Tourne-écrou de 1/4 po
- Clés plates de 7/16 po et 1/2 po
- Foret de 1/4 po ou deux clés à molette
- Perceuse sans fil

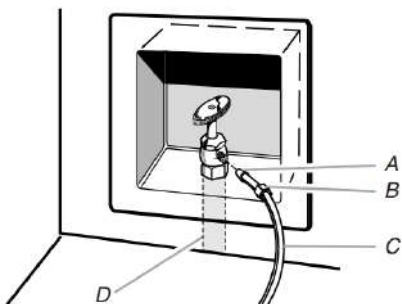
**REMARQUE :** Votre marchand de réfrigérateurs propose une trousse avec un robinet d'arrêt à étrier de 1/4 po (6,35 mm), un raccord et un tube en cuivre ou en polyéthylène réticulé. Avant d'en faire l'achat, s'assurer que le robinet d'arrêt à étrier est conforme aux codes locaux de plomberie. Ne pas employer de robinet d'arrêt à étrier de 3/16 po (4,76 mm) ou de type à percer, ils réduisent le débit d'eau et s'obstruent plus facilement.

### Raccordement à la canalisation d'eau

**IMPORTANT :** Si on met le réfrigération en marche avant que la canalisation d'eau ne soit raccordée, éteindre la machine à glaçons.

1. Débrancher le réfrigérateur ou déconnecter la source de courant électrique.
2. Couper l'alimentation principale en eau. Ouvrir le robinet le plus proche assez longtemps pour vider l'eau du tuyau.
3. Utiliser un robinet d'arrêt quart de tour ou équivalent alimenté par une canalisation d'alimentation domestique en cuivre ou en polyéthylène réticulé de 1/2 po.

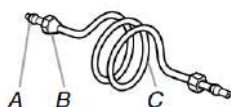
**REMARQUE :** Pour que le réfrigérateur reçoive un débit d'eau suffisant, on recommande l'emploi d'une canalisation d'alimentation domestique en cuivre ou en polyéthylène réticulé de 1/2 po minimum.



- A. Ampoule  
B. Écrou  
C. Tuyau en cuivre ou en polyéthylène réticulé (vers le réfrigérateur)  
D. Conduite d'alimentation du domicile (1/2 po minimum)

4. Il est maintenant possible de connecter le tube en cuivre ou en polyéthylène réticulé au robinet d'arrêt. Utiliser une canalisation en cuivre ou en polyéthylène réticulé de 1/4 po (6,35 mm) pour raccorder le robinet d'arrêt au réfrigérateur.

- Ensure that you have the proper length needed for the job. Be sure both ends of the copper tubing are cut square.
- Installer la bague et l'écrou à compression sur le tuyau en cuivre comme indiqué. (Le tuyau en polyéthylène réticulé possède des viroles et écrous de compression déjà installés.) Insérer l'extrémité du tuyau aussi profondément que possible dans l'extrémité de sortie et à l'équerre. Visser l'écrou de compression sur l'extrémité de sortie du raccord à l'aide d'une clé à molette. Ne pas serrer excessivement.



- A. Virole de compression  
B. Écrou de compression  
C. Tuyau en cuivre ou en polyéthylène réticulé

5. Placer l'extrémité libre de la canalisation dans un contenant ou un évier et rétablir l'alimentation principale en eau pour nettoyer le tuyau jusqu'à ce que l'eau soit limpide. Fermer le robinet d'arrêt sur le tuyau d'alimentation en eau.

**REMARQUE :** Toujours vidanger le tuyau d'alimentation en eau avant de faire le raccordement final sur l'entrée du robinet pour éviter tout mauvais fonctionnement éventuel du robinet.

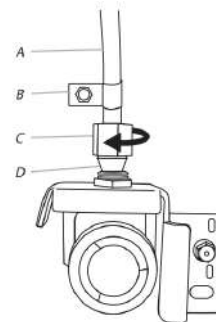
6. Courber le tuyau de cuivre ou de polyéthylène réticulé de façon à le raccorder à l'arrivée de la canalisation d'eau située à l'arrière de la caisse du réfrigérateur. Laisser une partie du tube en cuivre ou de polyéthylène réticulé enroulée pour permettre de dégager le réfrigérateur de l'armoire ou du mur en cas de dépannage.

### Raccordement au réfrigérateur

Selon le modèle, la canalisation d'eau peut être orientée de bas en haut ou de haut en bas. Appliquer les instructions de raccordement appropriées au modèle.

#### Style 1

1. Ôter le bouchon de plastique de l'orifice d'entrée d'eau. Raccorder la canalisation en cuivre ou en polyéthylène réticulé au robinet d'arrivée d'eau à l'aide d'un écrou et d'une bague de compression, comme illustré. Serrer l'écrou de compression. Ne pas serrer excessivement. Vérifier la solidité du raccordement en tirant sur la canalisation en cuivre ou en polyéthylène réticulé.
2. Créer une boucle de service avec la canalisation en cuivre. Éviter de déformer le tube en l'enroulant. Fixer la canalisation en cuivre ou en polyéthylène réticulé à la caisse du réfrigérateur à l'aide d'un collier en P.



- A. Tuyau en cuivre ou en polyéthylène réticulé  
B. Collier en « P »  
C. Écrou de compression  
D. Virole de compression

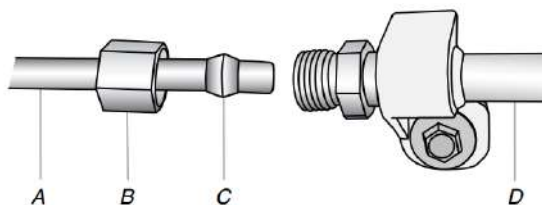
3. Ouvrir l'arrivée d'eau alimentant le réfrigérateur et vérifier l'absence de fuites. Éliminer toute fuite détectée.
4. Si des glaçons sont souhaités, mettre la machine à glaçons en marche.

**REMARQUE :** Prévoir un délai de 24 heures pour la production du premier lot de glaçons. Jeter les trois premiers lots de glaçons produits. Prévoir un délai de 3 jours pour le remplissage complet du bac d'entreposage.

#### Style 2

1. Débrancher le réfrigérateur ou déconnecter la source de courant électrique.
2. Retirer et jeter la courte pièce en plastique noire de l'extrémité du point d'entrée de la canalisation d'eau.
3. Thread the nut onto the end of the tubing. Tighten the nut by hand. Then tighten it with a wrench two more turns. Do not overtighten.

**REMARQUE :** Pour éviter les vibrations, veiller à ce que les tuyaux en cuivre ne soient pas en contact avec les parois latérales de la machine à glaçons ou d'autres composants à l'intérieur de la caisse.



- A. Canalisation d'eau du domicile  
B. Écrou (à acheter)  
C. Virole (à acheter)  
D. Tuyau d'eau du réfrigérateur

4. Installer la bride de la canalisation d'alimentation en eau bien autour de la canalisation pour réduire la pression sur le raccord.
5. Ouvrir le robinet d'arrêt.

6. Check for leaks. Tighten any connections (including connections at the valve) or nuts that leak.
7. Sur certains modèles, la machine à glaçons comporte un filtre à eau incorporé. Si les caractéristiques de l'eau requièrent un second filtre à eau, installer celui-ci dans la canalisation d'eau de 1/4 po (6,35 mm) à l'une ou l'autre des extrémités de la canalisation. Se procurer un filtre à eau auprès de votre marchand d'appareils ménagers.

## Terminer l'installation

### ⚠ AVERTISSEMENT



#### Risque de décharge électrique

Brancher l'appareil sur une prise à 3 alvéoles reliée à la terre.

Ne pas enlever la prise de liaison à la terre.

Ne pas utiliser d'adaptateur.

Ne pas utiliser de rallonge.

Le non-respect de ces instructions peut causer un décès, un incendie ou une décharge électrique.

1. Brancher l'appareil sur une prise à 3 alvéoles reliée à la terre.  
**REMARQUE :** Prévoir un délai de 24 heures pour la production du premier lot de glaçons. Jeter les trois premiers lots de glaçons produits. Prévoir un délai de 3 jours pour le remplissage complet du bac d'entreposage.
2. Rincer le système de distribution d'eau. Voir la section « Distributeurs d'eau et de glaçons ».

## Installation du conservateur pour produits frais (disponible en tant qu'accessoire seulement)

Le sachet d'accessoires du réfrigérateur comprend un sachet de conservation pour produits frais, qui doit être installé avant d'utiliser le réfrigérateur. Sur certains modèles, le conservateur pour produits frais est préinstallé à l'usine. Pour commander un conservateur pour produits frais, utiliser le numéro de pièce **W10346771**.

Le conservateur pour produits frais absorbe l'éthylène, permettant ainsi un ralentissement du processus de maturation de nombreux produits frais. Ainsi, la fraîcheur de certains produits frais est prolongée.

La production d'éthylène et la sensibilité des produits à l'éthylène varient selon le type de fruit ou de légume. Pour préserver la fraîcheur des produits, il est conseillé de séparer les produits frais sensibles à l'éthylène des fruits qui en produisent en quantité modérée à élevée.

	Sensibilité à l'éthylène	Production d'éthylène
Pommes	Élevée	Très élevée
Asperges	Moyenne	Très basse
Petits fruits	Basse	Basse
Brocoli	Élevée	Très basse
Cantaloup	Moyenne	Élevée
Carottes	Basse	Très basse
Agrumes	Moyenne	Très basse
Raisin	Basse	Très basse
Laitue	Élevée	Très basse
Poires	Élevée	Très élevée
Épinards	Élevée	Très basse

## Installation du conservateur pour produits frais

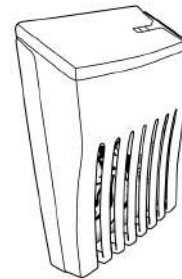
**ATTENTION : LE CONTENU PEUT ÊTRE IRRITANT POUR LES YEUX ET LA PEAU. CE PRODUIT DÉGAGE DES VAPEURS DANGEREUSES LORSQUE MÉLANGÉ À D'AUTRES PRODUITS.**

Ne pas mélanger à des produits de nettoyage contenant de l'ammoniaque, un agent de blanchiment ou des acides. Ne pas mettre en contact avec les yeux, la peau ou les vêtements. Ne pas inhaler les poussières. Conserver hors de portée des enfants.

**PREMIERS SOINS :** Contient du permanganate de potassium. En cas d'ingestion, appeler immédiatement un centre antipoison ou un médecin. Ne pas faire vomir. En cas de contact avec les yeux, rincer à l'eau pendant 15 minutes. En cas de contact avec la peau, rincer à l'eau.

### Style 1 – Situé à l'intérieur du réfrigérateur :

1. Repérer le logement du conservateur pour produits frais à l'intérieur du réfrigérateur.



2. Soulever le logement pour l'extraire de la languette de montage.
3. Ouvrir le logement en soulevant l'arrière du sommet du logement pour l'extraire.
4. Retirer les sachets de conservation pour produits frais de l'emballage. Placer les sachets dans le logement, puis emboîter les parties du logement pour le refermer.  
**REMARQUE :** Pour une performance idéale, toujours utiliser les deux sachets.
5. Fixer le logement pour sachets de conservation pour produits frais sur la paroi arrière du bac à légumes en suivant les instructions fournies dans l'emballage.
6. Réinstaller le logement sur la languette de montage.

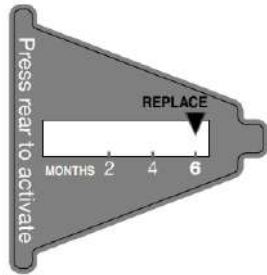
## Style 2 – Situé dans le bac à légumes ou les tiroirs du réfrigérateur :

Pour plus de commodité, le conservateur pour produit frais à fixation par succion peut être installé dans le bac à légumes ou les tiroirs réfrigérés.

1. Laver l'intérieur de chaque tiroir à l'aide d'une solution de savon doux et d'eau tiède; sécher complètement.
2. Trouver l'emballage contenant le conservateur pour produits frais à l'intérieur du réfrigérateur, puis installer le conservateur pour produits frais dans le tiroir selon les instructions fournies dans l'emballage.

## Installation du témoin d'état

Le sachet de conservation pour produits frais comporte un témoin lumineux qui doit être activé et installé en même temps que le sachet.



1. Placer le témoin orienté vers le bas sur une surface ferme et plane.
2. Appliquer une pression sur la bulle située à l'arrière du témoin jusqu'à ce que la bulle éclate – ceci active le témoin.
3. Ouvrir le couvercle du logement du conservateur pour produits frais.
4. Placer le témoin sur le sommet du logement en l'orientant vers l'extérieur.
5. Fermer le couvercle en le faisant coulisser et vérifier que le témoin est visible à travers le trou rectangulaire du couvercle.

**REMARQUE :** Le couvercle ne se ferme pas facilement si la bulle arrière du témoin lumineux n'a pas éclaté.

## Remplacer le sachet de conservation pour produits frais

Les sachets jetables doivent être remplacés tous les 6 mois, lorsque le témoin est entièrement passé du blanc au rouge.

Pour commander, consulter les coordonnées indiquées dans le guide de démarrage rapide. Commander le numéro de pièce **W10346771A** ou **FRESH1**.

1. Retirer les sachets usagés du logement du conservateur pour produits frais.
2. Retirer le témoin d'état usagé.
3. Installer les sachets et le témoin neufs en suivant les instructions des sections précédentes ou des instructions incluses dans la trousse de remplacement.

# CARACTÉRISTIQUES DU RÉFRIGÉRATEUR

## Utilisation des commandes

### ⚠ AVERTISSEMENT



#### Risque de décharge électrique

**Brancher sur une prise à 3 alvéoles reliée à la terre.**

**Ne pas enlever la broche de liaison à la terre.**

**Ne pas utiliser d'adaptateur.**

**Ne pas utiliser de câble de rallonge.**

**Le non-respect de ces instructions peut causer un décès, un incendie ou une décharge électrique.**

### ⚠ AVERTISSEMENT



#### Risque d'explosion

**Garder les matières et les vapeurs inflammables, telles que l'essence, à l'écart de l'appareil.**

**Utiliser un produit de nettoyage ininflammable.**

**Le non-respect de ces instructions peut causer un décès, une explosion ou un incendie.**



## Activation/désactivation des notifications sonores

Cette fonction permet de gérer les notifications sonores du produit.

### Activation/désactivation des notifications sonores :

- Maintenir simultanément enfoncés les boutons Cubed Ice (Glaçons) et Crushed Ice (Glace concassée) pendant 3 secondes.

## Modification de l'unité de volume de distribution d'eau

Cette fonction permet de changer l'unité d'affichage du volume de distribution d'eau entre les onces (oz) et les litres (L).

L'unité par défaut du volume de distribution d'eau est l'once (oz).

### Passer des onces (oz) aux litres (L) :

- Maintenir simultanément enfoncés les boutons Mode et Refrigerator (Réfrigérateur) pendant 3 secondes.  
L'affichage de l'unité de volume de distribution d'eau passe de oz à L.

### Calibration de la fonction de remplissage mesuré

La pression en eau du domicile peut affecter la précision de la fonction Measured Fill (Remplissage mesuré). Pour un rendement optimal du distributeur d'eau, il faut d'abord calibrer la fonction de remplissage mesuré.

**REMARQUE :** Purger le circuit d'eau avant de calibrer le remplissage mesuré.

#### Procédure de calibration

1. Placer une tasse à mesurer au centre du plateau du distributeur, devant la plaque de distribution d'eau.
2. Maintenir enfoncée l'icône de tasse d'eau pendant 3 secondes.
3. Le système passe en mode calibration. L'icône de calibration s'allume et reste allumée pendant la calibration de la fonction Measured Fill (Remplissage mesuré).
4. Appuyer et relâcher la palette du distributeur d'eau pour distribuer de l'eau jusqu'à la ligne de remplissage de la tasse à mesurer.

**REMARQUE :** Si la tasse déborde ou si de l'eau se répand, vider la tasse. Appuyer de nouveau pour recommencer la procédure de calibration.

5. Après avoir bien distribué une tasse d'eau, appuyer sur le bouton de l'icône de la tasse d'eau. Ceci confirme la calibration.
6. Une fois le calibrage confirmé, les icônes s'éteignent. L'affichage revient à l'écran d'accueil.

### Changement des unités de température

Cette fonction permet de changer l'unité de température affichée entre Fahrenheit (°F) et Celsius (°C).

L'unité de température par défaut est le Fahrenheit (°F).

#### Passer de Fahrenheit (°F) à Celsius (°C) :

- Maintenir simultanément enfoncés les boutons Freezer (Congélateur) et Mode pendant 3 secondes.  
L'affichage de l'unité de température passe de °F à °C.

### Mode Showroom (Exposition)

Le mode Showroom (Exposition) désactive le système de refroidissement du produit. Ce mode arrête aussi la machine à glaçons et le distributeur d'eau.

**REMARQUE :** Ne pas utiliser le mode d'exposition pour un usage domestique normal. Ce mode est réservé à la vente au détail. Lorsque le mode d'exposition est activé, l'appareil ne refroidit pas, ne fabrique pas de glace et ne distribue pas d'eau.

#### Activation/désactivation du mode Showroom (Exposition) :

- Maintenir simultanément enfoncés les boutons Freezer (Congélateur) et Refrigerator (Réfrigérateur) pendant 3 secondes.
- Lorsque le mode d'exposition est activé, l'icône « Showroom » (Exposition) s'allume.
- Lorsque le mode d'exposition est désactivé, l'icône « Showroom » (Exposition) s'éteint.

### Wi-Fi

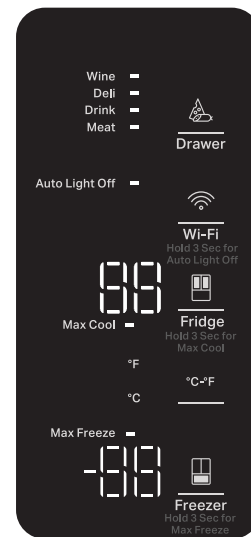
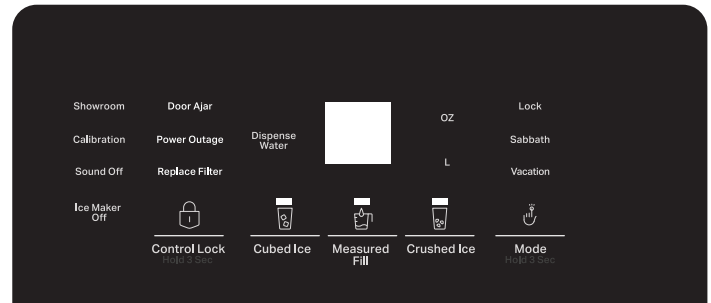
La connectivité Wi-Fi permet au réfrigérateur intelligent de se connecter à Internet et d'interagir avec le réfrigérateur à partir d'un téléphone intelligent ou d'un appareil mobile. Cette connexion ouvre plusieurs options intelligentes pour l'utilisateur – des options conçues pour économiser du temps précieux et de l'énergie.

- Appuyer sur le bouton Wi-Fi pour activer la fonction Wi-Fi.

### Installation et configuration de l'application Whirlpool :

1. Télécharger l'application Whirlpool à partir de la boutique d'applications sur votre téléphone.
2. Installation de l'application.
3. Ouvrir l'application et suivre les étapes indiquées dans l'application pour créer un compte utilisateur.
4. Suivre les étapes de l'application pour connecter un appareil

**REMARQUE :** Les fonctions de l'application peuvent changer. Des frais de données peuvent s'appliquer. Assujetti aux conditions disponibles sur le site Web [www.whirlpool.com/connect](http://www.whirlpool.com/connect).



### Activation/désactivation des notifications sonores

Cette fonction permet de gérer les notifications sonores du produit.

#### Activation/désactivation des notifications sonores :

- Maintenir simultanément enfoncés les boutons Cubed Ice (Glaçons) et Mode pendant 3 secondes.

### Modification de l'unité de volume de distribution d'eau

Cette fonction permet de changer l'unité d'affichage du volume de distribution d'eau entre les onces (oz) et les litres (L).

L'unité par défaut du volume de distribution d'eau est l'once (oz).

#### Passer des onces (oz) aux litres (L) :

- Appuyer simultanément sur les boutons Mode et Crushed Ice (Glace concassée) pendant 3 secondes.  
L'affichage de l'unité de volume de distribution d'eau passe de oz à L.

## Calibration de la fonction de remplissage mesuré

La pression en eau du domicile peut affecter la précision de la fonction Measured Fill (Remplissage mesuré). Pour un rendement optimal du distributeur d'eau, il faut d'abord calibrer la fonction Measured Fill (Remplissage mesuré).

**REMARQUE :** Purger le circuit d'eau avant de calibrer le remplissage mesuré.

### Procédure de calibration

1. Placer une tasse à mesurer au centre du plateau du distributeur, devant la plaque de distribution d'eau.
2. Appuyer sur le bouton Measure Fill (Remplissage mesuré) pendant 3 secondes.
3. Le système passe en mode calibration. L'icône de calibration s'allume et reste allumée pendant la calibration de la fonction Measured Fill (Remplissage mesuré).
4. Appuyer et relâcher la palette du distributeur d'eau pour distribuer de l'eau jusqu'à la ligne de remplissage de la tasse à mesurer.

**REMARQUE :** Si la tasse déborde ou si de l'eau se répand, vider la tasse. Appuyer de nouveau pour recommencer la procédure de calibration.

5. Après avoir bien distribué une tasse d'eau, appuyer sur le bouton Measure Fill (Remplissage mesuré). Ceci confirme la calibration.
6. Une fois la calibration du remplissage mesuré confirmée, les icônes s'éteignent. L'affichage revient à l'écran d'accueil.

## Changement des unités de température

Cette fonction permet de changer l'unité de température affichée entre Fahrenheit (°F) et Celsius (°C).

L'unité de température par défaut est le Fahrenheit (°F).

### Passer de Fahrenheit (°F) à Celsius (°C) :

- Sur le panneau de commande placé sur le côté de la porte du réfrigérateur, appuyer sur le bouton °C–°F. L'affichage de la température passe de Celsius à Fahrenheit.
- L'icône de l'unité de température sélectionnée s'allume à côté du bouton.

## Porte dans la porte – Auto Lights (Éclairage automatique) (sur certains modèles)

La fonction Auto light (Éclairage automatique) allume automatiquement les lumières du compartiment réfrigérateur (RF). L'éclairage s'allume lorsque le capteur détecte une personne ou un animal à proximité du produit. Le capteur ne fait aucune distinction entre une personne et un animal de compagnie.

La fonction Auto light (Éclairage automatique) est activée par défaut à la réception du produit.

### Activation/désactivation de la fonction d'éclairage automatique :

- Maintenir enfoncé le bouton Drawer (Tiroir) pendant 3 secondes.
- Voir le témoin lumineux Auto light (Éclairage automatique) pour connaître l'état actuel :  
Lorsque la fonction d'éclairage automatique est **DÉSACTIVÉE**, le témoin d'éclairage automatique est **ROUGE**.  
Lorsque la fonction d'éclairage automatique est **ACTIVÉE**, le témoin Auto light (Éclairage automatique) est **ÉTEINT**. (Le témoin s'éteint lorsque la fonction est activée.)

## Mode Showroom (Exposition)

Le mode Showroom (Exposition) désactive le système de refroidissement du produit. Ce mode arrête aussi la machine à glaçons et le distributeur d'eau.

**REMARQUE :** Ne pas utiliser le mode d'exposition pour un usage domestique normal. Ce mode est réservé à la vente au détail. Lorsque le mode d'exposition est activé, l'appareil ne refroidit pas, ne fabrique pas de glace et ne distribue pas d'eau.

### Activation/désactivation du mode Showroom (Exposition) :

- Maintenir simultanément enfoncés les boutons Control Lock (Verrouillage des commandes) et Mode pendant 3 secondes.
- Lorsque le mode d'exposition est activé, l'icône « Showroom » (Exposition) s'allume.
- Lorsque le mode d'exposition est désactivé, l'icône « Showroom » (Exposition) s'éteint.

## Wi-Fi

La connectivité Wi-Fi permet au réfrigérateur intelligent de se connecter à Internet et d'interagir avec le réfrigérateur à partir d'un téléphone intelligent ou d'un appareil mobile. Cette connexion ouvre plusieurs options intelligentes pour l'utilisateur – des options conçues pour économiser du temps précieux et de l'énergie.

- Appuyer sur le bouton Wi-Fi pour activer la fonction Wi-Fi.

### Installation et configuration de l'application KitchenAid/JennAir :

1. Télécharger l'application KitchenAid ou JennAir à partir de la boutique d'applications sur votre téléphone.
2. Installation de l'application.
3. Ouvrir l'application et suivre les étapes indiquées dans l'application pour créer un compte utilisateur.
4. Suivre les étapes de l'application pour connecter un appareil

**REMARQUE :** Les fonctions de l'application peuvent changer. Des frais de données peuvent s'appliquer. Assujetti aux conditions décrites sur le site Web :

- Modèles de la marque KitchenAid : [www.kitchenaid.com/connect](http://www.kitchenaid.com/connect).
- Modèles de la marque JennAir : [www.jennair.com/connect](http://www.jennair.com/connect).

## Distribution du remplissage mesuré

### Installation et configuration de l'application KitchenAid/JennAir :

1. Appuyer sur le bouton Measured Fill (Remplissage mesuré). Le menu de remplissage mesuré s'ouvre.
2. L'écran affiche les options de volumes qui peuvent être distribués.
3. Toucher le bouton pour modifier le volume de distribution à 8, 12, 16, 24 ou 32 oz.
4. Appuyer finalement sur le bouton « Dispense Water » (Distribuer de l'eau) pour commencer la distribution.

## Commande de température du garde-manger interne (sur certains modèles)

Pour activer le mode Température du garde-manger, appuyer sur Pantry (Garde-manger), puis choisir entre les quatre options de réglage de température : Meat (Viande), Drink (Boisson), Deli (Spécialités alimentaires), et Wine (Vin). L'affichage indique le point de réglage de température (Viande/Boisson/Spécialités Alimentaires/Vin) du garde-manger.

- Le réglage MEAT (VIANDE) est le plus froid et peut être utilisé pour décongeler des produits qui doivent être décongelés dans le réfrigérateur.
- Le réglage Drink (Boissons) est utilisé pour conserver froides des boissons gazeuses, des bouteilles d'eau, etc.
- Le réglage DELI (CHARCUTERIES) est utilisé pour les charcuteries et les fromages ou les produits non frais.
- Le réglage Wine (Vin) est le plus chaud et est parfait pour le vin.

## Commande de température du garde-manger externe (seulement sur les modèles avec porte à double battant)

Ce compartiment de garde-manger externe est un compartiment convertible qui peut être utilisé pour stocker des aliments frais ou des aliments congelés.

Pour activer le mode Température du garde-manger, appuyer sur Pantry (Garde-manger), puis choisir entre les quatre options de réglage de température : Meat (Viande), Drink (Boisson), Deli (Spécialités alimentaires), et Wine (Vin). L'affichage indique le point de réglage de température (Viande/Boisson/Spécialités Alimentaires/Vin) du garde-manger.

- Le réglage MEAT (VIANDE) est le plus froid et peut être utilisé pour décongeler des produits qui doivent être décongelés dans le réfrigérateur.
- Le réglage Drink (Boissons) est utilisé pour conserver froides des boissons gazeuses, des bouteilles d'eau, etc.
- Le réglage DELI (CHARCUTERIES) est utilisé pour les charcuteries et les fromages ou les produits non frais.
- Le réglage Wine (Vin) est le plus chaud et est parfait pour le vin.

Le garde-manger extérieur peut aussi être utilisé comme congélateur pour stocker des aliments surgelés. Un seul réglage de température est possible lorsque le garde-manger externe est utilisé comme « congélateur ». Ce réglage modifie la température du garde-manger pour qu'elle corresponde à celle du congélateur.

Pour transformer le tiroir en congélateur, maintenir enfoncé le bouton Drawer (Tiroir) pendant 3 secondes. Pour retransformer le tiroir en réfrigérateur, maintenir enfoncé le bouton Drawer (Tiroir) pendant 3 secondes.

**REMARQUE :** Le passage du compartiment convertible de réfrigérateur à congélateur, ou de congélateur à réfrigérateur, peut prendre plusieurs heures. Attendre 12 heures que la température se stabilise avant de placer les aliments souhaités dans ce compartiment.

## Distributeur d'eau et de glaçons (sur certains modèles)

Pour des informations supplémentaires sur la façon dont les distributeurs d'eau et de glaçons fonctionnent, consulter le « Guide de distribution » en ligne.

### IMPORTANT :

- Après avoir raccordé le réfrigérateur à une source d'alimentation en eau ou remplacé le filtre à eau, vidanger le circuit d'eau. Utiliser un récipient robuste pour appuyer sur la plaque du distributeur d'eau pendant 5 secondes, puis relâcher pendant 5 secondes. Répéter l'opération jusqu'à ce que l'eau commence à couler. Une fois que l'eau commence à couler, continuer d'appuyer et de relâcher la plaque du distributeur (appui pendant 5 secondes, relâchement pendant 5 secondes) jusqu'à ce qu'un total de 4 gal (15 L) ait été distribué. Ceci évacue l'air du filtre et du système de distribution d'eau et rend le filtre à eau opérationnel. Un amorçage supplémentaire peut s'avérer nécessaire dans certains domiciles. Pendant l'évacuation de l'air du système, de l'eau peut gicler du distributeur.
- Attendre 24 heures pour que le réfrigérateur et l'eau refroidissent. Distribuer une quantité suffisante d'eau chaque semaine pour maintenir un approvisionnement frais.
- Prévoir un délai de 24 heures pour la production du premier lot de glaçons. Jeter les trois premiers lots de glaçons produits.
- Le distributeur distribue de l'eau ou des glaçons.
- Le système de distribution ne fonctionne pas lorsque la porte de gauche du réfrigérateur est ouverte.
- Sur certains modèles, l'écran d'affichage sur le tableau de commande du distributeur s'éteint automatiquement et entre au mode « veille » lorsque les boutons de commande et les plaques du distributeur n'ont pas été utilisés pendant au moins 2 minutes. Le fait d'appuyer une fois sur un bouton de commande alors que l'appareil est au mode « veille » réactive uniquement l'écran d'affichage, sans modifier les réglages. Après réactivation, n'importe quel réglage peut alors être modifié. Si aucune modification n'est apportée dans les 2 minutes qui suivent, l'affichage passe de nouveau au mode « veille ».

### Rinçage du circuit d'eau

De l'air piégé dans le système de distribution d'eau peut faire dégoutter le distributeur d'eau. Après avoir raccordé le réfrigérateur à une source d'alimentation en eau ou remplacé le filtre à eau, vidanger le circuit d'eau.

Le fait de rincer le système de distribution d'eau évacue l'air de la canalisation et du filtre et conditionne le filtre à eau. Un amorçage supplémentaire peut s'avérer nécessaire dans certains domiciles.

**REMARQUE :** Pendant l'évacuation de l'air du système, de l'eau peut gicler du distributeur.

1. Utiliser un récipient robuste pour appuyer sur la plaque du distributeur d'eau pendant 5 secondes.
2. Relâcher la plaque du distributeur pendant 5 secondes. Répéter les étapes 1 et 2, jusqu'à ce que l'eau commence à couler.
3. Une fois que l'eau commence à couler, continuer d'appuyer et de relâcher la plaque du distributeur (appui pendant 5 secondes, relâchement pendant 5 secondes) jusqu'à ce qu'un total de 3 gal (12 L) ait été distribué.

## Distributeur d'eau

### IMPORTANT :

Distribuer au moins 1 pte (1 L) d'eau chaque semaine pour maintenir un approvisionnement en eau fraîche.

La diminution du débit en provenance du distributeur peut être causée par une faible pression en eau.

- Avec le filtre à eau retiré, verser l'équivalent d'une (1) tasse d'eau (237 mL). Si l'équivalent d'une tasse d'eau est distribué en 8 secondes ou moins, cela signifie que la pression en eau alimentant le réfrigérateur répond au critère minimal.
- S'il faut plus de 8 secondes à la machine pour distribuer l'équivalent d'une tasse (237 mL) d'eau, cela signifie que la pression en eau alimentant le réfrigérateur est inférieure au niveau recommandé. Voir les sections « Spécifications de l'alimentation en eau » et « Dépannage » en ligne pour plus d'informations.

## Nettoyage du goulot du distributeur à glaçons

L'humidité entraîne l'agglomération des glaçons. Des particules de glace peuvent s'accumuler et obstruer le goulot du distributeur à glaçons.

Si on n'a pas besoin de distribuer des glaçons régulièrement, il peut s'avérer nécessaire de vider le bac d'entreposage à glaçons et de nettoyer à la fois le goulot de distribution des glaçons, le bac d'entreposage à glaçons et la zone située sous le bac d'entreposage toutes les 2 semaines.

- Si nécessaire, retirer les glaçons obstruant le bac d'entreposage et le goulot de distribution des glaçons à l'aide d'un ustensile en plastique.
- Nettoyer le goulot de distribution et le fond du bac d'entreposage à l'aide d'un chiffon tiède et humide, puis sécher soigneusement.

## Machine à glaçons et bac d'entreposage

### IMPORTANT :

Afin d'éviter une faible production de glaçons ou des glaçons de mauvaise qualité, vidanger le circuit d'eau avant de mettre en marche la machine à glaçons. Consulter la section « Distributeurs d'eau et de glaçons » pour les détails.

- Prévoir un délai de 24 heures après l'installation pour la production des premiers glaçons. Accorder 2 à 3 jours au bac d'entreposage des glaçons pour qu'il se remplisse.
- Pour les modèles comportant un filtre à eau, après avoir raccordé le réfrigérateur à l'alimentation en eau ou avoir remplacé le filtre à eau, remplir et jeter trois récipients entiers de glaçons afin que le filtre à eau soit prêt pour utilisation.
- La qualité des glaçons dépend de la qualité de l'eau fournie à la machine à glaçons. Éviter de connecter la machine à glaçons à une alimentation en eau adoucie. Les produits chimiques adoucisseurs d'eau (comme le sel) peuvent endommager certaines pièces de la machine à glaçons et entraîner une mauvaise qualité de glaçons. Si l'alimentation en eau adoucie ne peut être évitée, s'assurer que l'adoucisseur d'eau fonctionne bien et qu'il est bien entretenu.
- Si la glace dans le bac d'entreposage s'agglomère, placer le bac entier dans un évier et faire couler de l'eau chaude sur la glace jusqu'à ce qu'elle soit fondue. Ou briser la glace à l'aide d'un ustensile en plastique et la jeter.
- Ne pas entreposer quoi que ce soit sur le dessus de la machine à glaçons ou dans le bac à glaçons.

## Taux de production des glaçons

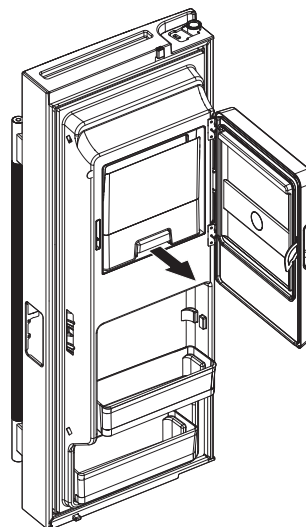
Prévoir un délai de 24 heures pour la production du premier lot de glaçons. Jeter les trois premiers lots de glaçons produits.

Prévoir un délai de 3 jours pour le remplissage complet du bac d'entreposage. La machine à glaçons devrait produire approximativement 3 lb (1,4 kg) (8 à 12 lots) de glaçons au cours d'une période de 24 heures.

Pour augmenter la production de glaçons, diminuer la température du congélateur et du réfrigérateur, ou consulter la section « Description du panneau de commande » du guide de démarrage rapide pour obtenir des détails. Attendre 24 heures entre les réglages.

## Retrait et réinstallation du bac d'entreposage à glaçons

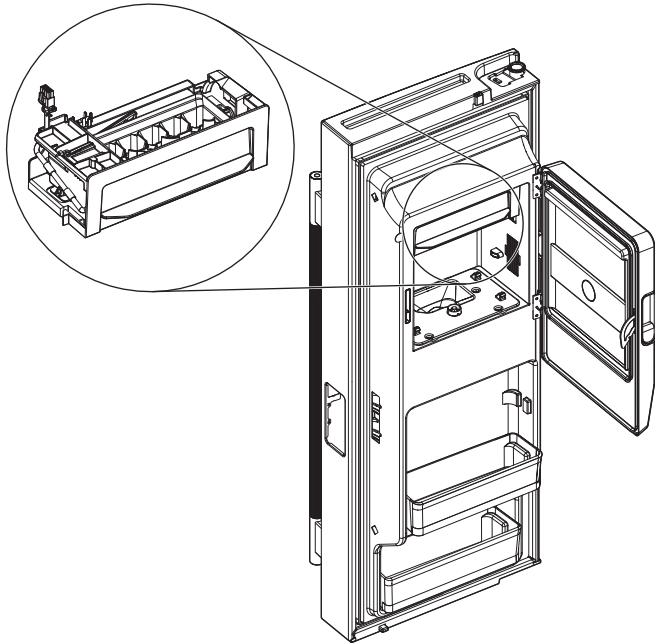
- Retirer le bac d'entreposage à glaçons en insérant les doigts dans le trou situé à la base du bac et serrer le loquet pour libérer le bac du compartiment. Soulever le bac d'entreposage à glaçons en le soulevant et en le dégageant en ligne droite.



- Réinstaller le bac d'entreposage dans le compartiment à glaçons et appuyer dessus pour s'assurer qu'il est bien en place.

## Marche/arrêt de la machine à glaçons dans la porte (porte de gauche du réfrigérateur)

La machine à glaçons est située dans la porte de gauche, derrière les balconnets. Les glaçons sont éjectés dans le bac d'entreposage à glaçons situé sur la porte de gauche du réfrigérateur.



La machine à glaçons de la porte gauche du réfrigérateur est activée par défaut à la réception du produit.

### Désactivation de la machine à glaçons dans la porte :

- Appuyer simultanément sur les boutons de distribution d'eau et du Refrigerator (Réfrigérateur) pendant 3 secondes. (applicable seulement pour les modèles de distributeurs d'eau et de glaçons externes Whirlpool)
- Appuyer simultanément sur les boutons Cubed Ice (Glaçons) et Crushed Ice (Glace concassée) pendant 3 secondes. (applicable seulement sur les modèles KitchenAid et JennAir)

### Machine à glaçons du congélateur – Marche/arrêt

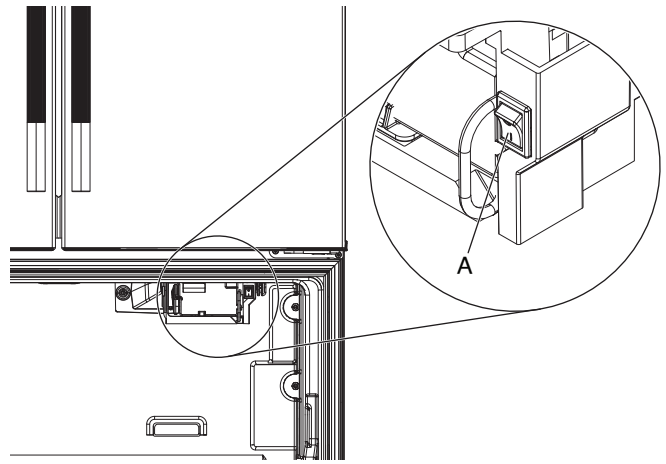
La machine à glaçons du congélateur se trouve dans la partie supérieure droite du congélateur.

La machine à glaçons du congélateur est activée par défaut à la réception du produit.

### Mise en marche/arrêt de la machine à glaçons du congélateur :

Trouver le commutateur sur le cadre de la machine à glaçons.

- L'icône « I » (ou la position du commutateur) indique que la machine à glaçons est activée.
- L'icône « O » (ou la position du commutateur) indique que la machine à glaçons est désactivée.



A. Commutateur de la machine à glaçons du congélateur

### REMARQUE :

- Il n'est pas nécessaire de désactiver la machine à glaçons du congélateur lorsque le bac à glaçons est plein.
- La machine à glaçons est équipée d'un capteur automatique qui arrête la production de glaçons lorsque le bac à glaçons est plein.
- Si la machine à glaçons du congélateur est activée, elle produira des glaçons jusqu'à ce que le bac à glaçons soit plein. La production recommencera après que des glaçons soient retirés du bac à glaçons.

## Système de filtration de l'eau

Ne pas utiliser ce produit pour filtrer une eau microbiologiquement polluée ou de qualité inconnue en l'absence d'un dispositif de désinfection adéquat en amont ou en aval du système. Les systèmes certifiés pour la réduction des kystes peuvent être utilisés pour une eau désinfectée susceptible de contenir des kystes filtrables.

**IMPORTANT :** Le filtre à eau jetable doit être remplacé au moins tous les 6 mois. Si le débit d'eau au distributeur d'eau ou à la machine à glaçons diminue de façon marquée avant que 6 mois ne se soient écoulés, remplacer le filtre à eau plus souvent.

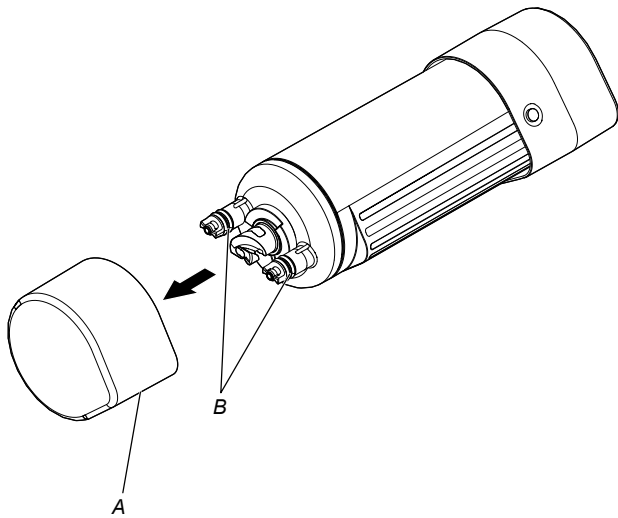
### Installation du filtre à eau

Pour commander un filtre de remplacement, communiquer avec nous au [www.whirlpool.com/owners](http://www.whirlpool.com/owners). Consulter le « Guide de démarrage rapide » pour les détails.

**REMARQUE :** Si le filtre n'est pas installé correctement, le débit d'eau sera plus faible et la production de glaçons plus lente. La mauvaise installation d'un filtre peut aussi laisser fuir le compartiment du filtre.

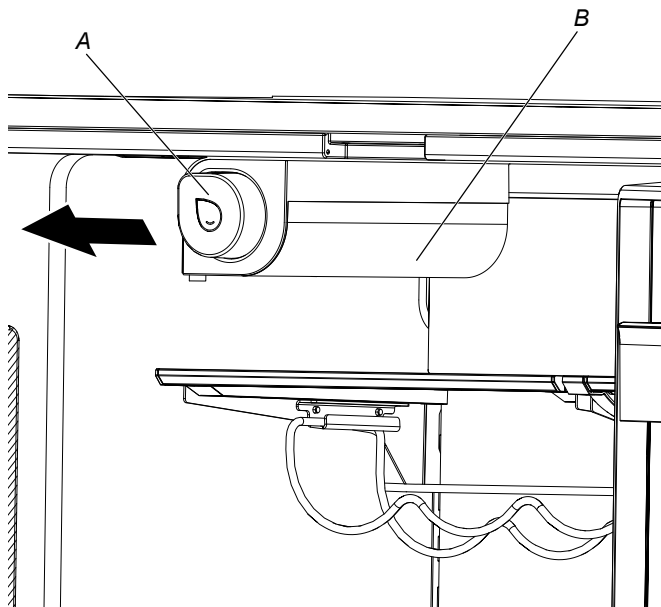
### Côté gauche du plafond du réfrigérateur

1. Identifier le sachet d'accessoires à l'intérieur du réfrigérateur et retirer le filtre à eau.
2. Take the water filter out of its packaging and remove the cover from the O-rings. Be sure the O-rings are still in place after the cover is removed.



A. Protection de joint torique  
B. Joints toriques

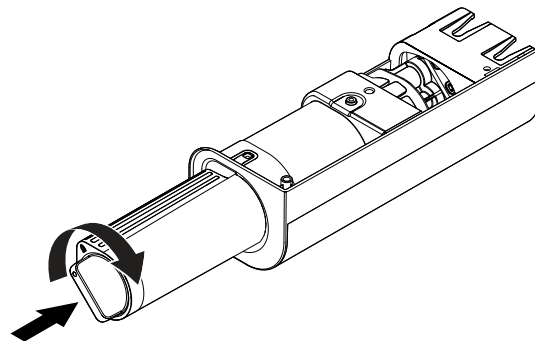
3. L'autre couvercle avec l'icône de goutte d'eau qui accompagne le filtre doit être conservé, car il sera nécessaire plus tard lors de l'installation du filtre à eau.
4. Le logement du filtre à eau est situé sur le côté gauche du plafond du réfrigérateur.



A. Filtre à eau  
B. Logement de filtre à eau

5. Tourner le du filtre de 90° (1/4 tour) dans le sens horaire jusqu'à ce qu'il s'emboîte dans le logement.

**REMARQUE :** Si le filtre n'est pas bien emboîté dans le logement, le distributeur d'eau ne fonctionnera pas. L'eau ne coulera pas du distributeur.



6. Ajouter le couvercle du logement du filtre de l'étape 3 à l'avant du filtre à eau.
7. Rincer le système de distribution d'eau. Consulter la section « Distributeurs d'eau et de glaçons » pour les détails.

**IMPORTANT :** Si on ne rince pas le circuit d'eau, on remarquera peut-être que le distributeur d'eau dégorge ou une réduction du débit.

### Remplacer le filtre à eau

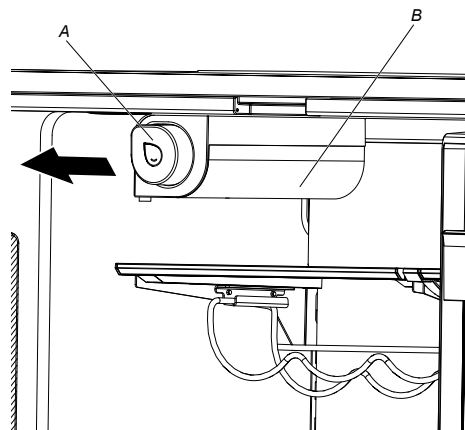
Pour acheter un filtre à eau de rechange, utiliser les numéros de modèles EDRARXD1/EDRARXD1B, communiquer avec le fournisseur ou composer le **1 800 442-9991** aux É.-U. ou le **1 800 807-6777** au Canada.

**IMPORTANT :** De l'air piégé dans le système d'alimentation en eau peut entraîner l'éjection de l'eau et du filtre. Toujours faire couler l'eau pendant au moins 2 minutes avant de retirer le filtre ou le bouchon de dérivation bleu.

1. Retirer le couvercle du filtre à eau et le conserver pour le filtre de remplacement qui sera installé plus tard.
2. Tourner le filtre dans le sens antihoraire et tirer en ligne droite pour le dégager.

**REMARQUE :** Il y aura peut-être de l'eau dans le filtre. Il est possible qu'il y ait un dégât d'eau. Utiliser une serviette pour essuyer tout renversement.

3. Le logement du filtre à eau est situé sur le côté gauche du plafond du réfrigérateur.

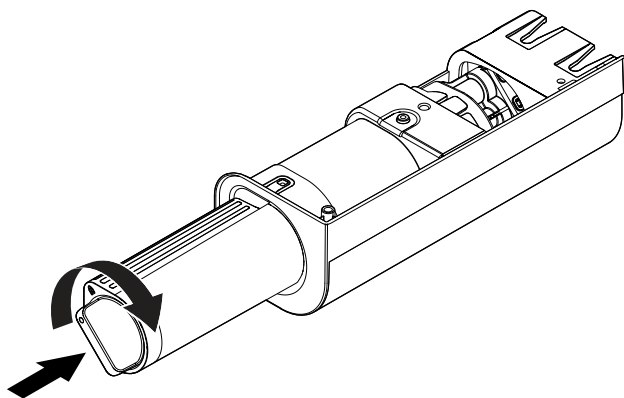


A. Filtre à eau  
B. Logement de filtre à eau

4. Aligner le filtre à eau dans le logement du filtre, insérer le filtre jusqu'à ce qu'il touche l'arrière du logement.

5. Tourner le du filtre de 90° (1/4 tour) dans le sens horaire jusqu'à ce qu'il s'emboîte dans le logement.

**REMARQUE :** Si le filtre n'est pas bien emboîté dans le logement, le distributeur d'eau ne fonctionnera pas. L'eau ne coulera pas du distributeur.



6. Ajouter le couvercle du logement du filtre de l'étape 3 à l'avant du filtre à eau.

7. Rincer le système de distribution d'eau. Consulter la section « Distributeurs d'eau et de glaçons » pour les détails.

**IMPORTANT :** Si on ne rince pas le circuit d'eau, on remarquera peut-être que le distributeur d'eau dégorge ou une réduction du débit.



**REMARQUE :** La fonction du distributeur peut être utilisée sans qu'un filtre à eau soit installé. L'eau ne sera pas filtrée.

### Réinitialisation du statut du filtre à eau

Après avoir remplacé le filtre à eau, appuyer sur Reset Filter ou Filter Reset (Réinitialisation du filtre) (selon le modèle) pendant 3 secondes. Consulter le « Guide de démarrage rapide » pour obtenir plus d'informations.

#### Style 1 : Remise à zéro du filtre à eau sur le panneau de commande latéral de la porte

Affiche l'état du filtre à eau. Pour réinitialiser le filtre à eau, appuyer sur Pantry (Garde-manger) et Control Lock (Verrouillage des commandes) pendant 3 secondes. Consulter la section « Système de filtration d'eau ».

- Commander un filtre de remplacement, si l'icône  clignote 3 fois pendant la distribution de l'eau.
- Remplacer le filtre à eau, si l'icône  clignote et si une tonalité d'alerte retentit 3 fois pendant la distribution de l'eau.

Toucher simultanément Pantry (Garde-manger) et Control Lock (Verrouillage des commandes) sur l'écran de commande de la température pendant 3 secondes pour réinitialiser le filtre à eau.

#### Style 2 : Remise à zéro du filtre à eau sur le panneau de commande avant de la porte

Le témoin d'état du filtre à eau affiche l'état du filtre à eau.

- L'icône « Replace Filter » (Remplacer le filtre) s'allume et clignote continuellement lors de la distribution lorsque le volume d'eau paramétré est passé par le filtre ou lorsque 6 mois se sont écoulés depuis l'installation du filtre. Un nouveau filtre doit être installé immédiatement lorsque le témoin lumineux « Replace Filter » (Remplacer le filtre) s'allume.
- Après être restées au stade Replace Filter (Remplacer le filtre) pendant 14 jours, les icônes « Replace Filter » (Remplacer le filtre) et « water » (eau) restent allumées en permanence et clignotent continuellement durant la distribution. Un signal d'alerte retentit également trois fois après la distribution. Le filtre à eau doit être remplacé au moins tous les 6 mois.

Après avoir remplacé le filtre à eau, l'utilisateur doit réinitialiser le témoin d'état du filtre. Appuyer sur les touches « Freezer » (Congélateur) et « Drawer » (Tiroir) pendant 3 secondes pour réinitialiser l'état du filtre à eau. Ensuite, l'icône « Replace Filter » (Remplacer le filtre) s'éteint. (applicable seulement pour les modèles de distributeurs d'eau et de glaçons externes Whirlpool)

Après avoir remplacé le filtre à eau, l'utilisateur doit réinitialiser le témoin d'état du filtre. Appuyer sur les touches « Control Lock » (Verrouillage des commandes) et « Measure Fill » (Remplissage mesuré) pendant 3 secondes pour réinitialiser l'état du filtre à eau. Ensuite, l'icône « Replace Filter » (Remplacer le filtre) s'éteint. (applicable seulement sur les modèles KitchenAid et JennAir)

## INSTRUCTIONS POUR LA PORTE ET LA POIGNÉE

### Porte et tiroirs

En fonction de la largeur de l'ouverture de la porte, il faudra peut-être retirer les portes pour pouvoir introduire le réfrigérateur dans le domicile. Les charnières de portes ont été installées à l'usine sur le côté droit de l'appareil.

#### IMPORTANT :

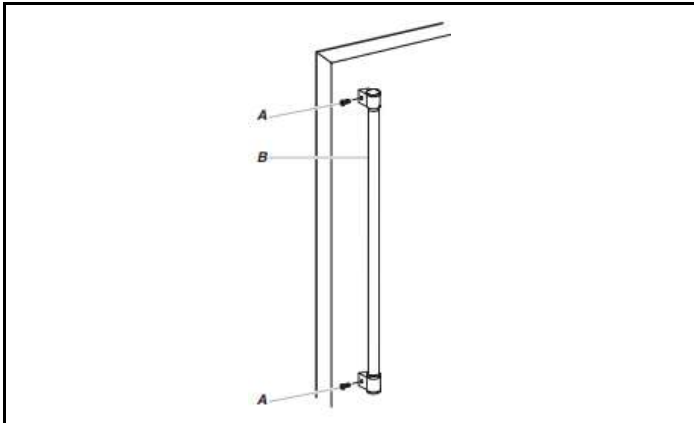
- Si le réfrigérateur était déjà installé et que vous souhaitez le déplacer hors de votre domicile, effectuer d'abord les opérations suivantes : tourner la commande du réfrigérateur sur Off (Arrêt) et débrancher le réfrigérateur ou déconnecter la source de courant électrique. Retirer les aliments et tous les balconnets de la porte du réfrigérateur.
- Laisser les portes du réfrigérateur fermées jusqu'au moment de les détacher de la caisse. Prévoir un support supplémentaire pour la porte du réfrigérateur pendant le retrait des charnières. **La force d'attraction des aimants de la porte ne suffit pas à la maintenir en place pendant la manutention.**

**Outils requis :** Clés à douille à tête hexagonale de 5/16 po, 3/8 po et 1/4 po, † Tornevis Torx T25, tournevis cruciforme no 2 et tournevis à lame plate.

†TORX est une marque déposée d'Acument Intellectual Properties, LLC.

## Pour enlever et réinstaller les poignées

### POIGNÉES DE PORTE DU RÉFRIGÉRATEUR



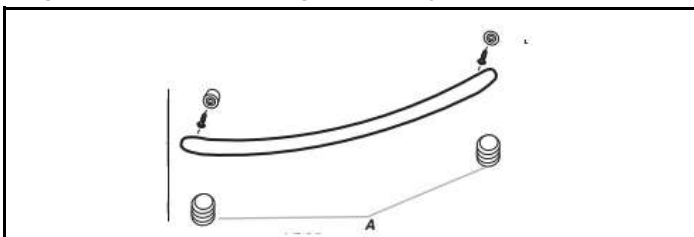
A. Vis de poignée à tête plate

B. Poignée de porte du réfrigérateur

- Desserrer les deux vis de blocage situées sur le côté de chaque poignée à l'aide d'une clé hexagonale de 3/32 po ou 1/8 po. Tirer sur la poignée tout droit pour l'extraire du tiroir. Veiller à conserver les vis pour la réinstallation des poignées.
- Pour remettre les poignées en place, inverser les instructions.

### POIGNÉES DE LA PORTE DU CONGÉLATEUR

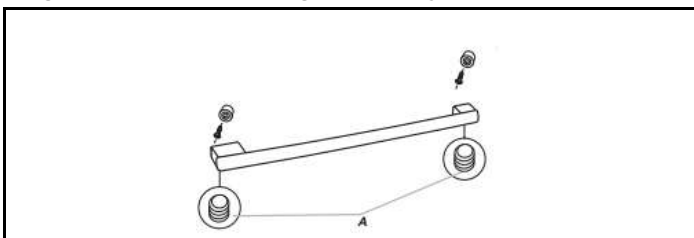
#### Poignées de porte du réfrigérateur (style 1)



A. Vis de blocage de 3/32 po

- Desserrer les deux vis de blocage situées sur le côté de chaque poignée à l'aide d'une clé hexagonale de 3/32 po ou 1/8 po. Tirer sur la poignée tout droit pour l'extraire du tiroir. Veiller à conserver les vis pour la réinstallation des poignées.
- Pour remettre les poignées en place, inverser les instructions.

#### Poignées de porte du réfrigérateur (style 2)



A. Vis de blocage de 3/32 po ou 1/8 po

- Desserrer les deux vis de blocage situées sur le côté de chaque poignée à l'aide d'une clé hexagonale de 3/32 po ou 1/8 po. Tirer sur la poignée tout droit pour l'extraire du tiroir. Veiller à conserver les vis pour la réinstallation des poignées.
- Pour remettre les poignées en place, inverser les instructions.

## Démontage des portes et charnières du réfrigérateur

### ⚠ AVERTISSEMENT



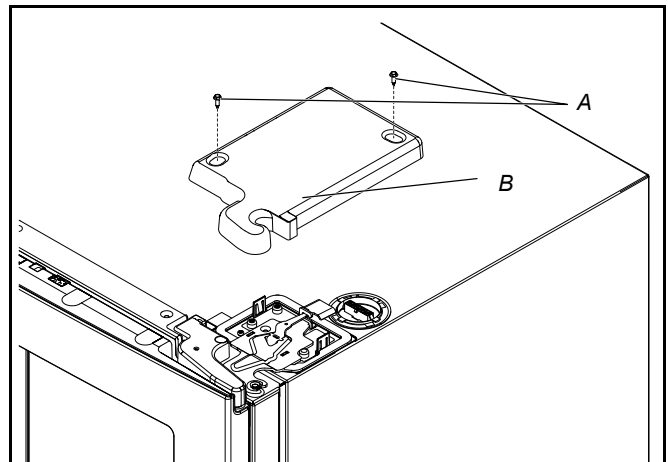
#### Risque de décharge électrique

Déconnecter la source de courant électrique avant d'enlever les portes.

Le non-respect de cette instruction peut causer un décès ou une décharge électrique.

#### Retrait de la porte de droite du réfrigérateur

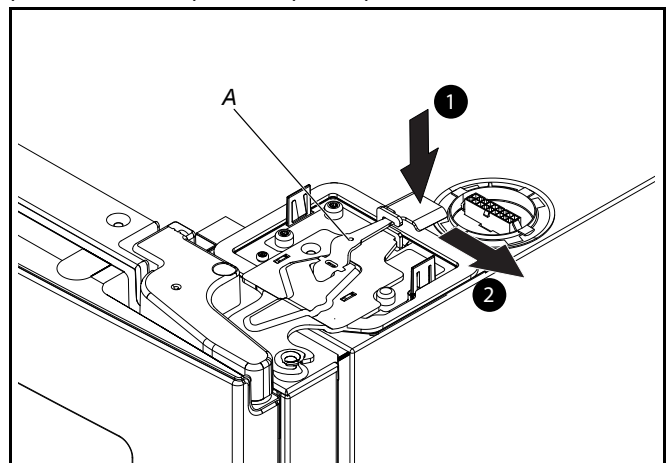
1. Débrancher le réfrigérateur ou déconnecter la source de courant électrique.
2. En commençant par la porte de droite, retirer le couvre-charnière supérieur à l'aide des deux vis du couvre-charnière.



A. Vis du couvre-charnière supérieur

B. Couvre-charnière supérieur

3. Pousser le levier de la charnière et le tirer comme indiqué ci-dessous. Retirer le levier de la charnière et le garder de côté pour remettre en place les portes plus tard.



A. Levier

**REMARQUE :** Ne pas retirer les deux vis de positionnement. Ces vis vous aideront à aligner la charnière lors de la réinstallation de la porte.

## ⚠ AVERTISSEMENT

### Risque de poids excessif

Utiliser deux ou plus de personnes pour soulever la porte de l'appareil.

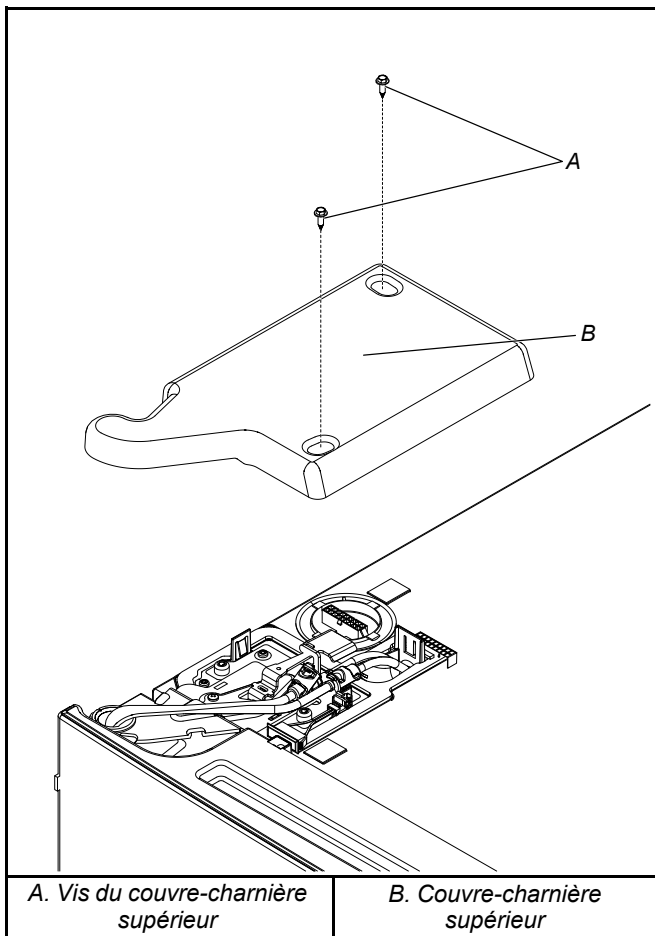
Le non-respect de cette instruction peut causer une blessure au dos ou d'autres blessures.

4. Soulever la porte du réfrigérateur de l'axe de la charnière inférieure. La charnière supérieure se dégage en même temps que la porte.

### Retrait de la porte de gauche du réfrigérateur

**IMPORTANT :** Sur les modèles avec distributeur d'eau, étant donné que le raccordement de l'eau et le câblage électrique passent par la charnière de la porte de gauche, ils doivent être déconnectés avant de retirer la porte.

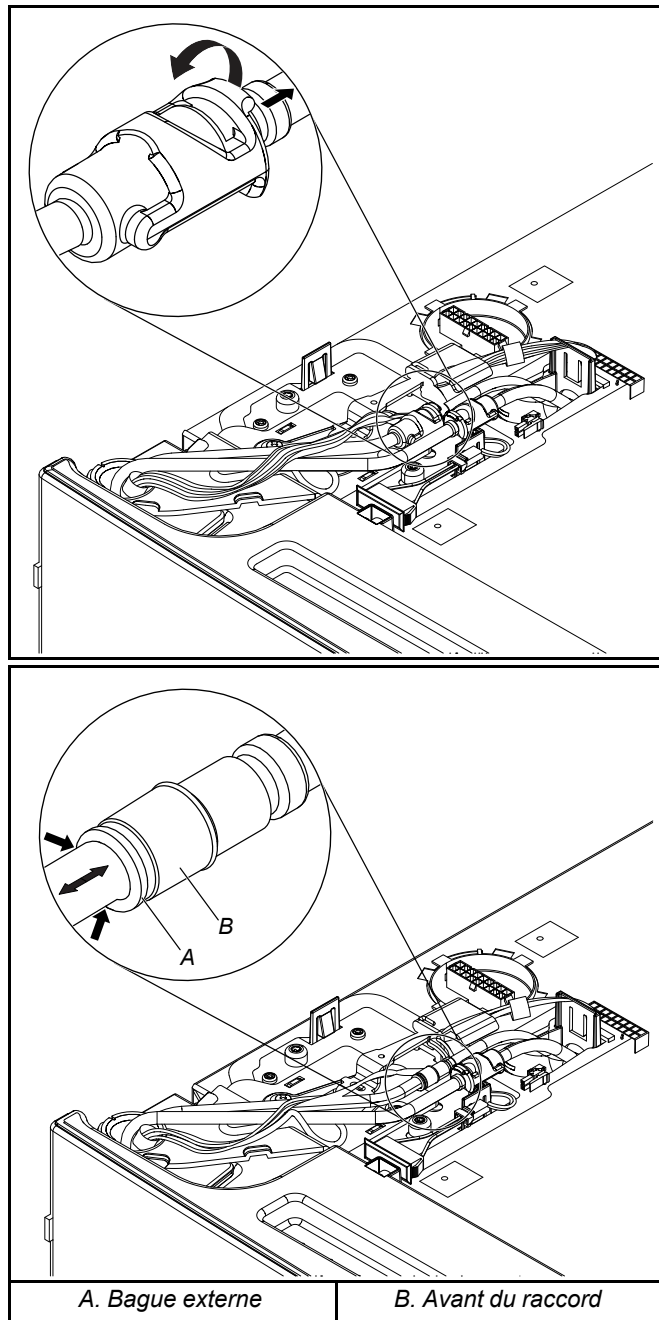
1. En commençant par la porte de droite, retirer le couvre-charnière supérieur à l'aide des deux vis du couvre-charnière.



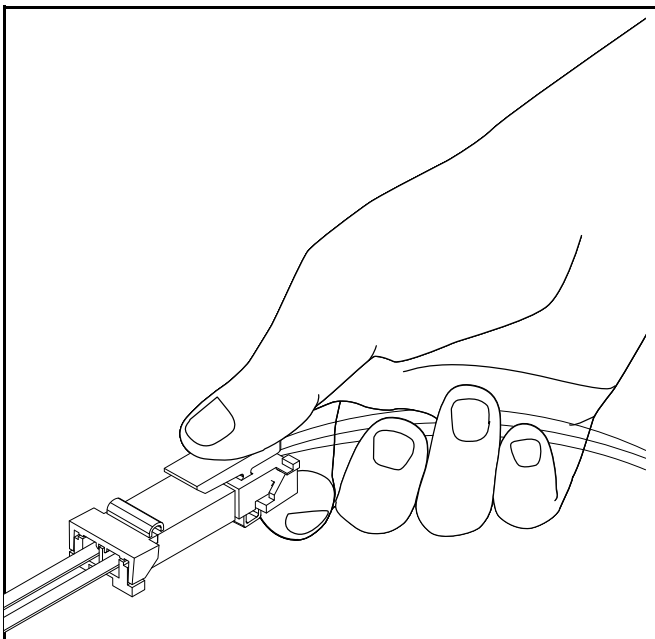
2. Débrancher le tube du distributeur d'eau situé sur la charnière de la porte (si nécessaire).

**Raccord de tuyau d'eau (Style 1) :** Soulever l'agrafe qui maintient les conduites d'eau pour pouvoir les déconnecter. L'agrafe restera sur une conduite d'eau pour permettre de reconnecter la conduite d'eau plus tard.

**REMARQUE :** Le tuyau du distributeur d'eau reste fixé à la porte de gauche du réfrigérateur.

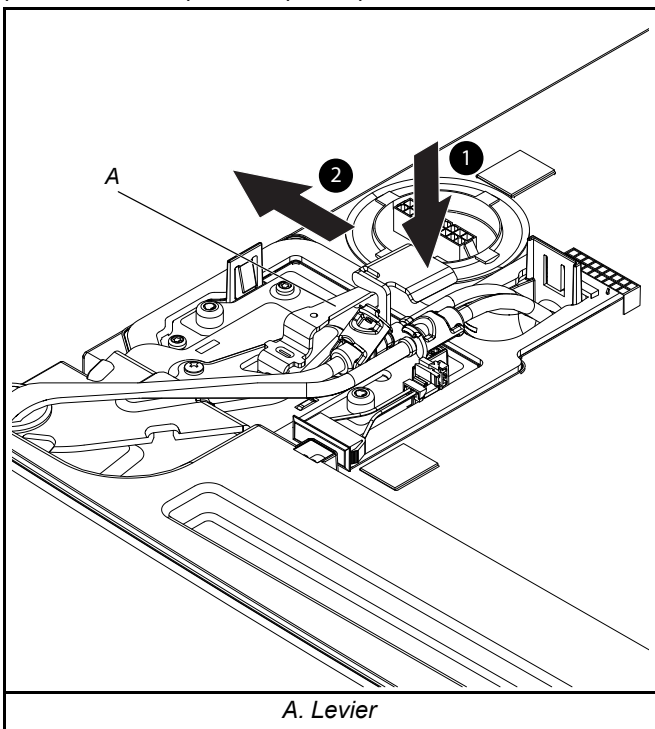


3. Avant de retirer la porte de gauche, débrancher la fiche de câblage située en haut de la charnière supérieure en appuyant sur le loquet pour permettre aux connecteurs de se désengager et en tirant sur les connecteurs pour les séparer l'un de l'autre.



**REMARQUE :** Ne pas retirer le conducteur vert de liaison à la terre. Il doit rester fixé à la charnière de porte.

4. Pousser le levier de la charnière et le tirer comme indiqué ci-dessous. Retirer le levier de la charnière et le garder de côté pour remettre en place les portes plus tard.



5. Soulever la porte du réfrigérateur de l'axe de la charnière inférieure. La charnière supérieure se dégage en même temps que la porte.

**REMARQUE :** Il ne sera peut-être pas nécessaire d'enlever les charnières inférieures et les pieds de stabilisation pour faire passer le réfrigérateur dans un cadre de porte.

- Uniquement si cela s'avère nécessaire, et selon le modèle, retirer les charnières inférieures à l'aide d'un tourne-écrou avec une pointe carrée no 2 ou un tournevis TORX T25 et un tourne-écrou de 3/8 po ou un tournevis TORX T25 pour retirer les vis des pieds de stabilisation.

## Réinstallation des portes et charnières

### Réinstallation de la porte de droite du réfrigérateur

1. Placer la porte de droite sur l'axe de charnière inférieure.
2. Insérer l'axe de charnière supérieure dans le trou béant du sommet de la porte du réfrigérateur.
3. Placer le levier de la charnière dans la charnière. Pousser le levier de la charnière jusqu'à ce qu'elle soit fixée. S'assurer que le levier de la charnière est verrouillé.
4. Installer le couvre-charnière supérieur à l'aide des deux vis du couvre-charnière.

### Réinstallation de la porte de gauche du réfrigérateur

**IMPORTANT:** Ne pas emmêler le tuyau d'eau et les faisceaux de câblage en les reconnectant.

1. Placer la porte de gauche sur l'axe de charnière inférieure.
2. Insérer l'axe de charnière supérieure dans le trou béant du sommet de la porte du réfrigérateur.
3. Placer le levier de la charnière dans la charnière. Pousser le levier de la charnière jusqu'à ce qu'elle soit fixée. S'assurer que le levier de la charnière est verrouillé.
4. Installer le couvre-charnière supérieur à l'aide des deux vis du couvre-charnière.
5. Au besoin, raccorder le tuyau du distributeur d'eau.

**Style 1** – Enfoncer fermement le tuyau d'eau dans le raccord jusqu'à ce qu'il s'arrête. Fixer l'attache autour du tube. L'attache se fixe autour du raccord et du collier.

6. Rebrancher le câblage.

- Remboîter les deux sections de la fiche de câblage.

### Étapes finales

1. Serrer complètement les vis internes.
2. Réinstaller les deux couvre-charnière supérieurs.

## Retrait et réinstallation du tiroir de congélation

En fonction de la largeur de l'ouverture de la porte, il faudra peut-être retirer les devants de tiroirs pour pouvoir introduire le réfrigérateur dans le domicile.

### RETRAIT DE LA FAÇADE DU TIROIR

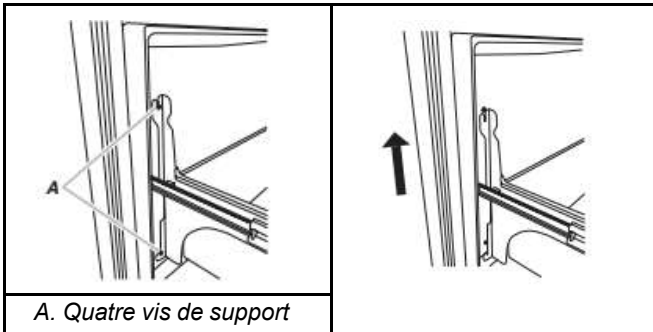
#### IMPORTANT :

- Si le réfrigérateur était déjà installé et que vous souhaitez le déplacer hors de votre domicile, effectuez d'abord les opérations suivantes : tourner la commande du réfrigérateur sur Off (arrêt) et débrancher le réfrigérateur ou déconnecter la source de courant électrique. Retirer les aliments et tous les balconnets de la porte du réfrigérateur.
- Il faudra peut-être deux personnes pour déplacer et réinstaller le tiroir de congélation. Les illustrations sont incluses plus loin dans cette section.

**Outils requis :** Tourne-écrou à tête hexagonale de 1/4 po, tournevis plat

#### Style 1 : Vis du bas

1. Desserrer les deux vis supérieures fixant les supports de glissières de tiroir à l'avant du tiroir.  
**REMARQUE :** Dévisser les vis de trois ou quatre tours. Garder les vis dans l'avant du tiroir.
2. Retirer les deux vis du bas fixant la glissière du tiroir.
3. Soulever l'avant du tiroir vers le haut pour le dégager des vis supérieures.



4. Réinsérer les glissières de tiroir dans le réfrigérateur.

### RÉINSTALLATION DE LA FAÇADE DU TIROIR

1. Tirer complètement les glissières du tiroir.
2. **Style 1 : Vis du bas**
  - Abaisser les vis desserrées pour les placer dans le sommet de l'avant de la porte, dans les encoches supérieures de la glissière de tiroir.
  - Aligner les trous du bas des glissières du tiroir.
  - Remettre en place les deux vis enlevées précédemment et serrer les quatre vis.

**REMARQUE :** Pour faciliter l'opération, une personne peut maintenir les glissières de tiroir en place pendant qu'une autre aligne la façade du tiroir et insère les vis dans les encoches.

## Retrait et réinstallation de l'avant du tiroir de congélation

En fonction de la largeur de l'ouverture de la porte, il faudra peut-être retirer la façade du tiroir du congélateur pour pouvoir introduire le réfrigérateur dans le domicile.

#### IMPORTANT:

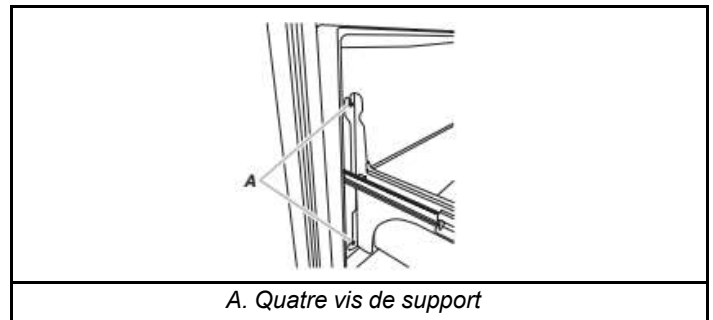
- Si le réfrigérateur était déjà installé et que vous souhaitez le déplacer hors de votre domicile, effectuez d'abord les opérations suivantes : tourner la commande du réfrigérateur sur Off (arrêt) et débrancher le réfrigérateur ou déconnecter la source de courant électrique. Retirer les aliments et tous les balconnets de la porte du réfrigérateur.
- Il faudra peut-être deux personnes pour déplacer et réinstaller le tiroir de congélation.

**Outils requis :** Tourne-écrou de 1/4 po

#### RETRAIT DU TIROIR

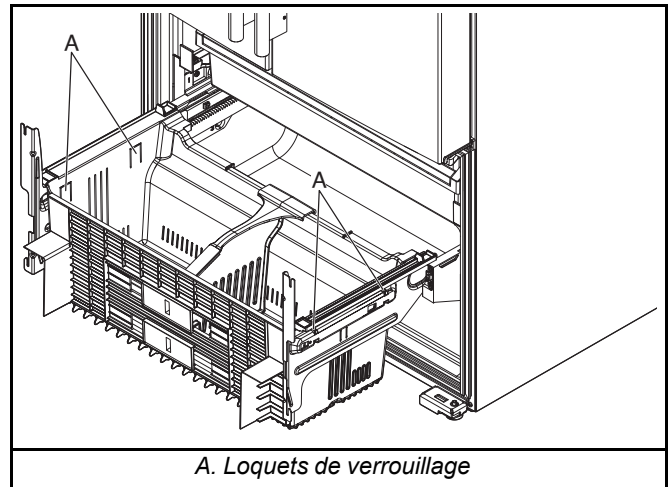
1. Ouvrir le tiroir du congélateur complètement.
2. Desserrer les quatre vis fixant les glissières du panier à l'avant du tiroir comme illustré ci-dessous.

**REMARQUE :** Dévisser les vis de trois ou quatre tours. Garder les vis dans l'avant du tiroir.



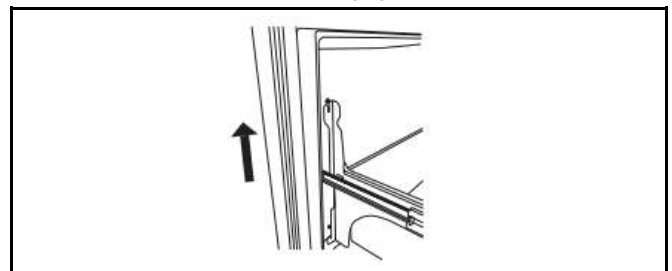
A. Quatre vis de support

3. Appuyez sur les quatre loquets du panier du tiroir du congélateur et soulevez le panier pour le déverrouiller.



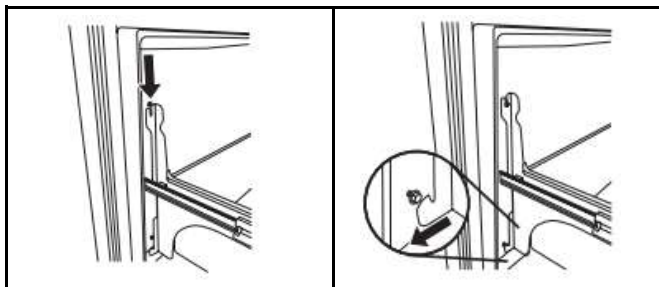
A. Loquets de verrouillage

4. Soulever l'avant du tiroir et le dégager des vis.



## RÉINSTALLER LE TIROIR

1. Retirer les glissières de tiroir du compartiment de congélation en les faisant glisser.
2. Insérer les vis du sommet de l'avant du tiroir dans les fentes des supports du tiroir.



3. Serrer complètement toutes les vis.

### Alignement du tiroir du congélateur

Le tiroir du congélateur peut être ajusté pour une meilleure étanchéité ou un meilleur alignement, contacter le service après-vente.

## Fermeture et alignement des portes

S'assurer que le réfrigérateur est stable. Si le réfrigérateur semble instable ou qu'il roule vers l'avant lorsqu'on ouvre la porte ou le tiroir, régler les pieds de stabilisation.

### Stabilisation du réfrigérateur :

- Ouvrir le tiroir du congélateur. Utiliser un tourne-écrou de 1/4 po pour tourner les deux pieds de stabilisation du même nombre de tours dans le sens horaire, jusqu'à ce qu'ils soient fermement en appui sur le sol. Vérifier de nouveau. Si le résultat n'est pas satisfaisant, continuer d'ajuster les pieds de nivellement en tournant la vis par demi-tours jusqu'à ce que le réfrigérateur ne roule plus vers l'avant lors de l'ouverture du tiroir.

**REMARQUE :** Le fait d'exercer une pression contre le dessus du réfrigérateur permet d'alléger le poids appliqué aux vis de nivellement. Ceci facilite l'ajustement des vis.

**REMARQUE :** Pour permettre au réfrigérateur de rouler plus facilement, soulever les pieds de stabilisation en les tournant dans le sens antihoraire. Les roulettes avant toucheront le plancher.

1. Déplacer le réfrigérateur jusqu'à sa position de service finale.
2. S'assurer que les portes ferment facilement. Si vous êtes satisfait de la facilité avec laquelle la porte s'ouvre et se ferme, sauter la section suivante et passer à « Alignement des portes ». Cependant, si les portes ne ferment pas facilement ou qu'elles s'ouvrent d'elles-mêmes, ajuster l'inclinaison.
3. À l'aide d'un tourne-écrou de 1/4 po, abaisser le pied de stabilisation. Les tourner dans le sens horaire, jusqu'à ce que les roulettes ne touchent plus le sol et que les deux pieds de stabilisation soient fermement en appui sur le sol. Cet arrangement vise à empêcher le réfrigérateur de rouler vers l'avant à l'ouverture des portes ou du tiroir de congélation.

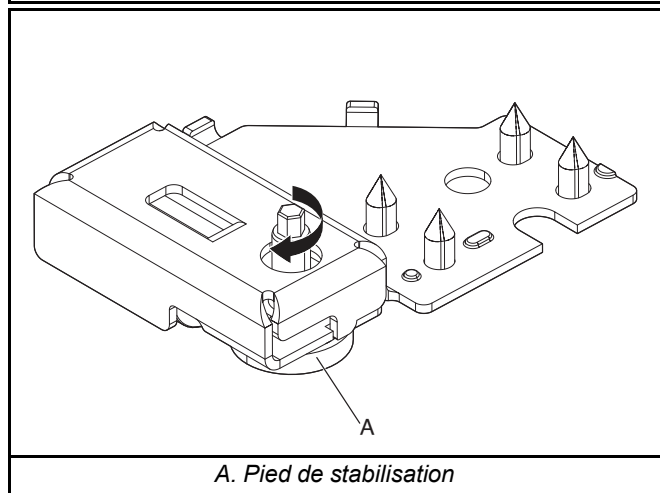
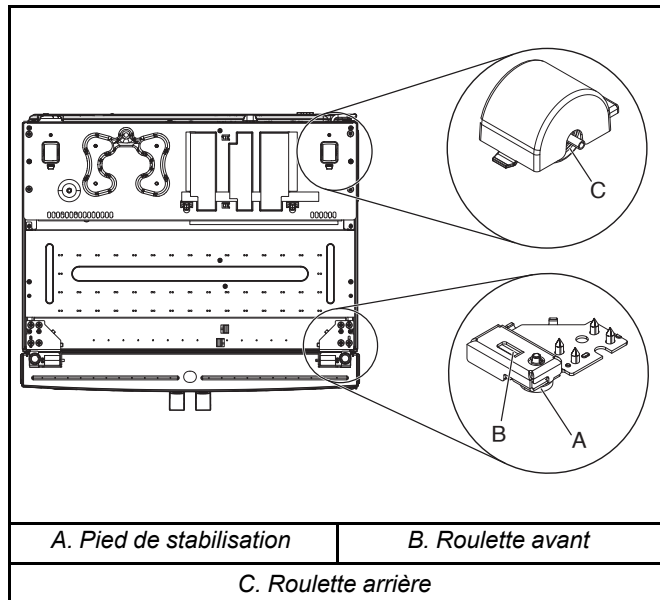
**IMPORTANT :** Si des ajustements sont nécessaires par la suite et si cela comprend les pieds de stabilisation, les deux pieds de stabilisation doivent être tournés de façon égale pour conserver l'aplomb du réfrigérateur.

4. À l'aide d'un niveau, vérifier que le réfrigérateur est d'aplomb transversalement et d'avant en arrière.
5. Vérifier que le dessus des portes est égal et que l'espace entre le bas des portes du réfrigérateur et le haut du tiroir du réfrigérateur est égal. Au besoin, aligner les portes.

### Ajustement de l'inclinaison de la caisse :

1. Ouvrir le tiroir du congélateur. Utiliser un tourne-écrou de 1/4 po pour tourner les deux pieds de stabilisation du même nombre de tours dans le sens horaire. Cela soulève l'avant du réfrigérateur. Cela peut nécessiter plusieurs tours pour permettre aux portes de se fermer facilement.

**REMARQUE :** Le fait d'exercer une pression contre le dessus du réfrigérateur permet d'alléger le poids appliqué aux pieds de stabilisation. Ceci facilite leur rotation.



2. Vérifier que le dessus des portes est égal et que l'espace entre le bas des portes du réfrigérateur et le haut du tiroir du réfrigérateur est égal. Au besoin, aligner les portes.

### ■ Pour aligner les portes :

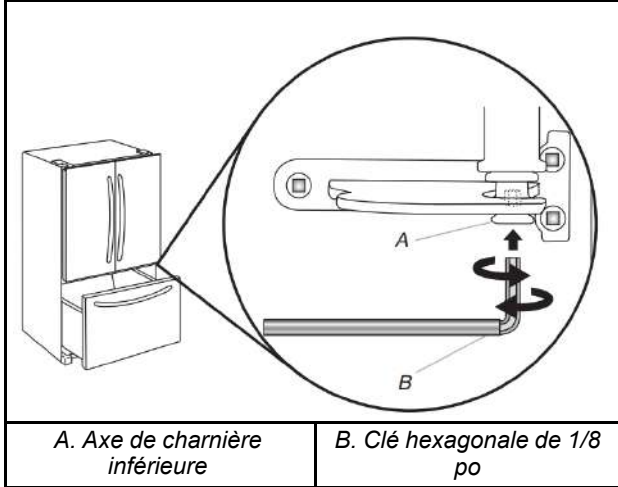
- Tout en gardant les deux portes du réfrigérateur fermées, retirer le tiroir du congélateur. Repérer l'axe de charnière inférieure de la porte de droite du réfrigérateur. La vis d'alignement se trouve à l'intérieur de l'axe de la charnière inférieure.

- Introduire l'extrémité courte de la clé à tête hexagonale de 1/8 po (jointe aux instructions d'installation de la poignée de porte) dans l'axe de la charnière inférieure jusqu'à ce qu'elle soit complètement engagée dans la vis d'alignement.

Pour soulever la porte du réfrigérateur, tourner la clé à tête hexagonale vers la droite.

Pour abaisser la porte, tourner la clé à tête hexagonale vers la gauche.

- Continuer à tourner la vis d'alignement jusqu'à ce que les portes soient alignées.



Après avoir effectué les ajustements nécessaires, réinstaller la grille de la base en alignant les extrémités de la grille avec les dispositifs de nivellement de chaque côté et emboîter la grille. Utiliser au besoin une clé hexagonale de 1/4 po pour réinstaller les vis.

## Étapes finales

### ⚠ AVERTISSEMENT



#### Risque de décharge électrique

**Brancher l'appareil sur une prise à 3 alvéoles reliée à la terre.**

**Ne pas enlever la prise de liaison à la terre.**

**Ne pas utiliser d'adaptateur.**

**Ne pas utiliser de rallonge.**

**Le non-respect de ces instructions peut causer un décès, un incendie ou une décharge électrique.**

1. Brancher sur une prise à 3 alvéoles reliée à la terre.
2. Réinitialiser les commandes. Voir la section « Descriptions du tableau des commandes » du guide de démarrage rapide.
3. Réinstaller l'ensemble des pièces amovibles dans les portes et les aliments dans le réfrigérateur.

## DÉPANNAGE

### Fonctionnement du réfrigérateur

Essayer d'abord les solutions suggérées ici pour éviter une intervention de dépannage. Pour obtenir une assistance supplémentaire, voir les coordonnées figurant dans le « Guide de démarrage rapide ».

#### Le réfrigérateur ne fonctionne pas

### ⚠ AVERTISSEMENT



#### Risque de décharge électrique

**Brancher l'appareil sur une prise à 3 alvéoles reliée à la terre.**

**Ne pas enlever la prise de liaison à la terre.**

**Ne pas utiliser d'adaptateur.**

**Ne pas utiliser de rallonge.**

**Le non-respect de ces instructions peut causer un décès, un incendie ou une décharge électrique.**

- **Le cordon d'alimentation électrique est-il débranché?** Brancher sur une prise à 3 alvéoles reliée à la terre.
- **La prise électrique fonctionne-t-elle?** Brancher une lampe pour voir si la prise fonctionne.
- **Un fusible du domicile est-il grillé ou un disjoncteur s'est-il ouvert?** Remplacer le fusible ou réenclencher le disjoncteur. Si le problème persiste, appeler un électricien.
- **Les commandes sont-elles activées?** S'assurer que les commandes du réfrigérateur sont sur On (marche). Voir la section « Utilisation des commandes ».
- **Le réfrigérateur est-il en train de se dégivrer?** Votre réfrigérateur fera fonctionner un programme de dégivrage automatique. Vérifier après 45 minutes pour voir s'il fonctionne.
- **S'agit-il d'une nouvelle installation?** Accorder 24 heures après l'installation pour que le réfrigérateur se refroidisse complètement.

**REMARQUE :** Le fait de placer les commandes de température sur le réglage le plus froid ne refroidira pas le compartiment plus rapidement.

#### Le moteur semble fonctionner excessivement

Il se peut que ce nouveau réfrigérateur fonctionne plus longtemps que l'ancien en raison du compresseur et des ventilateurs à haute efficacité. L'appareil peut fonctionner plus longtemps encore si la température de la pièce est élevée, si une grande quantité de nourriture a été ajoutée, si les portes sont fréquemment ouvertes ou si elles ont été laissées ouvertes.

## Si le réfrigérateur est bruyant

Le bruit émis par les réfrigérateurs a été réduit au cours des années. Du fait de cette réduction, il est possible d'entendre des bruits intermittents provenant du nouveau réfrigérateur qui n'avaient pas été décelés avec l'ancien modèle. Voici une liste des sons normaux accompagnés d'une explication.

- **Bourdonnement** – Se fait entendre lorsque le robinet d'eau s'ouvre pour remplir la machine à glaçons.
- **Pulsation** – les ventilateurs/le compresseur se règlent afin d'optimiser la performance.
- **Cliquetis** – Écoulement de liquide réfrigérant, mouvement des conduites d'eau ou d'objets posés sur le dessus du réfrigérateur.
- **Grésillement/gargouillement** – de l'eau tombe sur l'élément de chauffage durant le programme de dégivrage.
- **Bruit d'éclatement** – contraction/expansion des parois internes, particulièrement lors du refroidissement initial.
- **Bruit d'écoulement d'eau** – Peut être entendu lorsque la glace fond lors du programme de dégivrage et que l'eau s'écoule dans le plateau de dégivrage.
- **Grincement/craquement** – Se produit lorsque la glace est éjectée du moule à glaçons.
- **Bruit de claquement pendant le fonctionnement de la machine à glaçons ou de la distribution d'eau** – Vérifier s'il est nécessaire d'installer un dispositif de protection contre les coups de bélier. Consulter la section « Spécifications de l'alimentation en eau » pour obtenir plus d'informations.

## Aucune alarme sonore de porte ouverte ne retentit

### La porte a-t-elle été ouverte moins de 10 minutes?

L'alarme de porte ouverte ne clignote que si la porte est restée ouverte pendant plus de 10 minutes. L'alarme sonore retentit la première fois que la porte reste ouverte pendant plus de 10 minutes. Les alarmes de porte ouverte subséquentes se feront toutes sous forme de clignotement. L'alarme sonore doit être réinitialisée chaque fois. Voir la section « Utilisation des commandes ».

### La porte ne ferme pas complètement

- **La porte est-elle bloquée en position ouverte?** Déplacer les emballages d'aliments pour libérer la porte.
- **Un compartiment ou une tablette bloquent-ils le passage?** Replacer le compartiment ou la tablette en position correcte.

## Les portes sont difficiles à ouvrir

**⚠ AVERTISSEMENT**



**Risque d'explosion**

**Garder les matières et les vapeurs inflammables, telles que l'essence, à l'écart de l'appareil.**

**Utiliser un produit de nettoyage ininflammable.**

**Le non-respect de ces instructions peut causer un décès, une explosion ou un incendie.**

**Les joints sont-ils collants ou sales?** Nettoyer les joints au savon doux et à l'eau tiède.

### L'éclairage ne fonctionne pas

**Le réfrigérateur est-il en mode Sabbath (Sabbat)?** Voir la section « Utilisation des commandes ».

**La porte a-t-elle été ouverte plus de 10 minutes?** Voir la section « Utilisation des commandes ».

## Température et humidité

### La température est trop élevée

- **S'agit-il d'une nouvelle installation?** Accorder 24 heures après l'installation pour que le réfrigérateur se refroidisse complètement.
- **Les portes sont-elles souvent ouvertes ou laissées ouvertes?** Ceci permet à l'air chaud de pénétrer dans le réfrigérateur. Réduire les ouvertures de porte et garder la porte complètement fermée.
- **A-t-on ajouté une grande quantité d'aliments?** Attendre quelques heures pour permettre au réfrigérateur de revenir à une température normale.
- **Les réglages sont-ils corrects pour les conditions existantes?** Régler les commandes à un degré plus froid. Vérifier la température au bout de 24 heures. Voir la section « Utilisation des commandes ».
- **Le réfrigérateur ne refroidit pas.** Sur les modèles à commandes numériques, éteindre le réfrigérateur puis le rallumer pour le réinitialiser. Si cela ne résout pas le problème, faire un appel de service.
- **Les événements sont-ils obstrués?** Enlever tout article placé devant les événements.

### Il y a accumulation d'humidité à l'intérieur

**REMARQUE :** Une certaine accumulation d'humidité est normale.

- **La pièce est-elle humide?** Ceci contribue à l'accumulation de l'humidité.
- **Les portes sont-elles souvent ouvertes ou laissées ouvertes?** Ceci permet à l'air chaud de pénétrer dans le réfrigérateur. Réduire les ouvertures de porte et garder la porte complètement fermée.

## Glaçons et eau

### La machine à glaçons ne produit pas ou pas suffisamment de glaçons

- **Le réfrigérateur est-il connecté à l'alimentation en eau et le robinet d'arrêt d'eau est-il ouvert?** Brancher le réfrigérateur à l'alimentation en eau et ouvrir le robinet d'arrêt d'eau complètement.
- **La canalisation de la source d'eau du domicile comporte-t-elle une déformation?** Une déformation dans la canalisation peut réduire l'écoulement d'eau. Redresser la canalisation d'eau.
- **La machine à glaçons est-elle allumée?** S'assurer que l'interrupteur est en position ON (MARCHÉ).
- **S'agit-il d'une nouvelle installation?** Attendre 24 heures après l'installation de la machine à glaçons pour que la production de glaçons commence. Attendre environ 72 heures pour que la production de glaçons soit complète.
- **A-t-on récemment prélevé une grande quantité de glaçons?** Attendre 24 heures pour que la machine à glaçons produise plus de glaçons.
- **Un glaçon est-il coincé dans le bras éjecteur de la machine à glaçons?** Enlever le glaçon du bras éjecteur avec un ustensile en plastique.
- **Un système de filtration de l'eau à osmose inverse est-il connecté à l'alimentation en eau froide?** Ceci peut réduire la pression de l'eau. Voir la section « Spécifications de l'alimentation en eau ».

### Les glaçons sont creux ou petits

**REMARQUE :** Cela indique une faible pression d'eau.

- **Le robinet d'arrêt de la canalisation d'eau est-il complètement ouvert?** Ouvrir le robinet d'arrêt complètement.
- **La canalisation de la source d'eau du domicile comporte-t-elle une déformation?** Une déformation dans la canalisation peut réduire l'écoulement d'eau. Redresser la canalisation d'eau.
- **Un système de filtration de l'eau à osmose inverse est-il connecté à l'alimentation en eau froide?** Ceci peut réduire la pression de l'eau. Voir la section « Spécifications de l'alimentation en eau ».
- **D'autres questions concernant la pression de l'eau?** Appeler un plombier agréé et qualifié.

### Les glaçons sont agglomérés dans le bac d'entreposage

- Il est normal que du givre se forme sur le dessus du bac d'entreposage; ceci est dû aux ouvertures et fermetures de la porte du congélateur.
- Il est normal que les glaçons s'agglomèrent lorsqu'ils ne sont pas fréquemment distribués ou utilisés. Il est conseillé de vider et de nettoyer le bac à glaçons aussi souvent que nécessaire. Voir la section « Machine à glaçons et bac d'entreposage ».

### Mauvais goût, odeur ou couleur grise des glaçons

- **Les raccords de plomberie sont-ils neufs?** Des raccords de plomberie neufs peuvent entraîner une décoloration ou un mauvais goût des glaçons.
- **Les glaçons ont-ils été gardés trop longtemps?** Jeter les glaçons. Laver le compartiment à glaçons. Attendre 24 heures pour la fabrication de nouveaux glaçons.
- **Y a-t-il un transfert d'odeurs de nourriture?** Utiliser des emballages hermétiques et à l'épreuve de l'humidité pour conserver les aliments.
- **L'eau contient-elle des minéraux (tels que le soufre)?** L'installation d'un filtre à eau peut être requise afin d'enlever les minéraux.

- **Un filtre à eau est-il installé sur le réfrigérateur?** Une décoloration grise ou foncée des glaçons indique que le système de filtration de l'eau nécessite un rinçage supplémentaire.

### Le distributeur de glaçons ne fonctionne pas correctement

- **La porte du congélateur est-elle complètement fermée?** Bien fermer la porte. Si elle ne ferme pas complètement, voir la section « Les portes ne ferment pas complètement ».
- **Le bac à glaçons est-il bien installé?** S'assurer que le bac à glaçons est bien en place.
- **S'agit-il d'une nouvelle installation?** Attendre 24 heures après l'installation de la machine à glaçons pour que la production de glaçons commence. Attendre environ 72 heures pour que la production de glaçons soit complète.
- **Glaçons coincés dans la chute de distribution?** Retirer le bac à glaçons de la porte. Utiliser un ustensile en plastique pour dégager la chute.
- **Les mauvais glaçons ont-ils été ajoutés au bac?** Utiliser seulement des glaçons produits par la machine à glaçons actuelle.
- **La glace a-t-elle fondu autour de la tige (spirale en métal) dans le bac à glaçons?** Vider le bac à glaçons. Utiliser de l'eau tiède pour faire fondre la glace si nécessaire.

## ⚠ AVERTISSEMENT



### Risque de coupure

Utiliser un verre robuste pour la distribution de glaçons.

Le non-respect de cette instruction peut causer des coupures.

- **Le distributeur de glaçons se bloque-t-il lorsqu'il distribue de la glace « concassée »?** Changer le réglage du bouton « crushed » (glace concassée) pour le réglage « cubed » (glaçons). Si les glaçons sont correctement distribués, appuyer sur le bouton « crushed » (concassée) pour obtenir de la glace pilée et reprendre la distribution.
- **Le bras de distribution a-t-il été retenu trop longtemps?** Les glaçons cessent d'être distribués lorsque le bras a été maintenu enfoncé trop longtemps. Attendre 3 minutes afin que le moteur du distributeur se réinitialise avant de réutiliser le distributeur.

### Le distributeur d'eau ne fonctionne pas correctement

- **La porte du congélateur est-elle complètement fermée?** Bien fermer la porte. Si elle ne ferme pas complètement, voir la section « Les portes ne ferment pas complètement ».
- **Le réfrigérateur est-il connecté à l'alimentation en eau et le robinet d'arrêt d'eau est-il ouvert?** Brancher le réfrigérateur à l'alimentation en eau et ouvrir le robinet d'arrêt d'eau complètement.
- **La pression en eau est-elle d'au moins 30 lb/po<sup>2</sup> (207 kPa)?** La pression de l'eau du domicile détermine l'écoulement d'eau du distributeur. Voir la section « Spécifications de l'alimentation en eau ».

- **Déformation du conduit de canalisation d'eau du domicile?** Redresser la canalisation d'eau.
- **S'agit-il d'une nouvelle installation?** Rincer et remplir le système de distribution d'eau.
- **Un filtre à eau est-il installé sur le réfrigérateur?** Il est possible que le filtre soit obstrué ou mal installé.
- **Un système de filtration de l'eau à osmose inverse est-il connecté à votre canalisation d'eau froide?** Voir la section « Spécifications de l'alimentation en eau » soit dans les instructions d'installation soit dans le Guide d'utilisation et d'entretien.

### De l'eau suinte du distributeur

**REMARQUE :** Il est normal de constater l'apparition d'une ou deux gouttes d'eau après la distribution d'eau.

- **Le verre n'a pas été maintenu sous le distributeur assez longtemps?** Maintenir le verre sous le distributeur 2 à 3 secondes après avoir relâché le levier du distributeur.
- **S'agit-il d'une nouvelle installation?** Rincer le système de distribution d'eau. Voir les sections « Préparation du circuit d'eau » ou « Distributeurs d'eau et de glaçons ».
- **Le filtre à eau a-t-il été récemment changé?** Rincer le système de distribution d'eau. Voir les sections « Préparation du circuit d'eau » ou « Distributeurs d'eau et de glaçons ».

### L'eau du distributeur n'est pas assez froide

**REMARQUE :** L'eau du distributeur est refroidie à seulement 50 ° F (10 °C).

- **S'agit-il d'une nouvelle installation?** Attendre 24 heures après l'installation pour que l'alimentation en eau refroidisse complètement.
- **A-t-on récemment distribué une grande quantité d'eau?** Attendre 24 heures pour que l'alimentation d'eau refroidisse complètement.
- **Y a-t-il longtemps que de l'eau a été servie?** Le premier verre d'eau peut ne pas être froid. Jeter le premier verre d'eau.
- **Le réfrigérateur est-il raccordé à la canalisation d'arrivée d'eau froide?** S'assurer que le réfrigérateur est raccordé à la canalisation d'arrivée d'eau froide. Voir la section « Spécifications de l'alimentation en eau ».

# FICHE DE DONNÉES DE PERFORMANCE

## Système de filtration de l'eau

Modèle W11569863 (PID), W11569861 (sans PID)

Numéros de modèles de l'élément de remplacement : EDRARXD1/EDRARXD1B/W11536439/WHRARXD1/WHRARXD1B/  
KADARXD1/KADARXD1B/MAYARXD1/MAYARXD1B/W11486187

Capacité de 200 gal. (757 L) avec PID W11569863, 100 gal. (379 L) sans PID W11569861.



Système testé et homologué par NSF International en vertu des normes CSA B483, ainsi que NSF/ANSI 42, 53 et 401 pour la réduction des allégations spécifiées sur la fiche de performance ci-dessous.

Ce système a été testé selon les normes NSF/ANSI 42, 53, 401 et CSA B483.1 pour la réduction des substances énumérées ci-dessous. La concentration des substances indiquées dans l'eau entrant dans le système a été réduite à une concentration inférieure ou égale à la limite permmissible pour l'eau qui quitte le système, comme spécifié par les normes ANSI/NSF 42, 53 et 401, ainsi que CSA B483.1.

Réduction concentration produits de désinfection	Concentration dans l'eau à traiter	Exigences de réduction	Réduction de concentration % moy.	% de réd. minimale
Chlore goût/odeur	2,0 mg/L ± 10 %	Réduction de ≥ 50 %	99,39	99
Particules (classe I*)	Au moins 10 000 particules/mL	Réduction de ≥ 85 %	99,52	99,33
Microplastiques	Au moins 10 000 particules/mL	Réduction de ≥ 85 %	99,52	99,33
Réduction des contaminants	Concentration dans l'eau à traiter	Exigences de réduction	Réduction de concentration % moy.	% de réd. minimale
Plomb : à pH 6,5/à pH 8,5	0,150 mg/L ± 10 %	0,005 mg/L	99,29/99,84	99,07/99,46
Mercure : à pH 6,5/à pH 8,5	0,006 mg/L ± 10 %	0,002 mg/L	97,38/92,78	92,98/75,86
Amiante	10 <sup>7</sup> à 10 <sup>8</sup> fibres/L††	≥ 99 %	> 99,0	> 99,0
Kystes†	50 000/L minimum	≥ 99,95 %	> 99,997	> 99,997
Atrazine	0,009 mg/L ± 10 %	0,003 mg/L	> 98,98	> 98,95
Benzène	0,015 mg/L ± 10 %	0,005 mg/L	> 99,28	> 99,17
Carbofurane	0,080 mg/L ± 10 %	0,040 mg/L	83,93	58,7
Lindane	0,002 mg/L ± 10 %	0,000 2 mg/L	95,22	95
P-dichlorobenzène	0,225 mg/L ± 10 %	0,075 mg/L	99,95	99,95
Tétrachloroéthène	0,015 mg/L ± 10 %	0,005 mg/L	99,33	99,29
Toxaphène	0,015 mg/L ± 10 %	0,003 mg/L	99,27	99,17
O-dichlorobenzène	1,8 mg/L ± 10 %	0,6 mg/L	> 99,995	> 99,995
Toluène	3,0 mg/L ± 10 %	1,0 mg/L	> 99,9	> 99,9
Styrène	2,0 mg/L ± 10 %	0,1 mg/L	> 99,9	> 99,9
1,2,4 – Trichlorobenzène	0,210 mg/L ± 10 %	0,07 mg/L	> 99,55	> 99,42

Réduction des contaminants	Concentration dans l'eau à traiter	Exigences de réduction	Réduction de concentration % moy.	% de réd. minimale
Trichloréthylène	0,3 mg/L ± 30 %	0,005 mg/L	> 99,8	> 99,8
Endrin	0,006 mg/L ± 10 %	0,002 mg/L	92,32	83,93
Éthylbenzène	2,1 mg/L ± 10 %	0,7 mg/L	> 99,99	> 99,99
2,4 – D	0,210 mg/L ± 10 %	0,07 mg/L	98,89	94,76
Turbidité	11 NTU ± 10 %	0,5 NTU	98,88	98,17
Aténolol	200 ± 20 %	30 ng/L	95,27	94,98
Carbamazépine	1 400 ± 20 %	200 ng/L	96,2	96,09
Linuron	140 ± 20 %	20 ng/L	93,53	92,31
Méprobamate	400 ± 20 %	60 ng/L	94,54	94,32
Triméthoprim	140 ± 20 %	20 ng/L	96,27	95,94
Diéthyltoluamide	1 400 ± 20 %	200 ng/L	96,32	96,21
Métolachlore	1 400 ± 20 %	200 ng/L	96,67	96,5
Bisphénol A	2 000 ± 20 %	300 ng/L	95,07	94,82
Estrone	140 ± 20 %	20 ng/L	96,27	96,15
Nonylphénol	1 400 ± 20 %	200 ng/L	92,61	90,48
Naproxène	140 ± 20 %	20 ng/L	96,09	95,83
Ibuprofène	400 ± 20 %	60 ng/L	95,44	95,13
TCCP	5 000 ± 20 %	700 ng/L	92,78	92,59
TCEP	5 000 ± 20 %	700 ng/L	96,62	96,55
Phénytoïne	200 ± 20 %	30 ng/L	95,6	95,12
COV**	0,300 mg/L ± 10 %	0,015 mg/L	> 99,58	> 96,21

Paramètres de tests : pH = 7,5 ± 0,5 à moins d'indications contraires. Débit = 0,52 gpm (1,97 Lpm). Pression = 60 lb/po<sup>2</sup> (413,7 kPa). Température = 68 °F à 71,6 °F (20 °C à 22 °C). Capacité de service nominale = 200 gal. (757 L) W11569863 avec PID, 100 gal. (379 L) W11569861 sans PID.

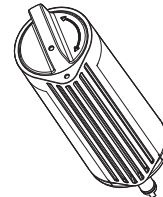
Les composés certifiés en vertu de la norme NSF 401 sont considérés comme appartenant à la catégorie des « composés émergents/contaminants secondaire ». Les composés émergents/contaminants secondaires ont été détectés à de faibles concentrations dans des sources d'approvisionnement en eau potable. Même s'ils n'apparaissent qu'à de faibles concentrations, ces composés peuvent influencer la perception et le niveau d'acceptation de la qualité de l'eau de consommation par le public.

- Il est essentiel que les exigences de fonctionnement, d'entretien et de remplacement de filtre soient respectées pour que ce produit donne le rendement annoncé. Des dommages à la propriété peuvent se produire lorsque les instructions ne sont pas toutes respectées.
- La cartouche jetable doit être changée au moins tous les 6 mois. Le média d'absorption dépensé ne sera pas régénéré et utilisé.
- Utiliser le remplacement EDRARXD1/B, WHRARXD1/B, KADARXD1/B, MAYARXD1/. Prix suggéré au détail en 2025 de 59,99 \$ US/69,99 \$ CAN. Les prix sont indiqués sous réserve de modification. Offert au [www.everydropwater.com](http://www.everydropwater.com).
- Le système de contrôle du filtre mesure la quantité d'eau qui passe par le filtre et indique quand remplacer le filtre. Pour savoir comment vérifier l'état du filtre, consulter « Utiliser les commandes » ou « Système de filtration d'eau » dans les instructions d'utilisation ou le guide d'utilisation.
- Après avoir remplacé le filtre à eau, purger le système d'eau. Voir les sections « Distributeur d'eau et de glaçons » ou « Distributeur d'eau » dans les instructions d'utilisation ou le guide d'utilisation.
- Ces contaminants ne sont pas nécessairement présents dans l'approvisionnement d'eau. Même si le test a été effectué dans des conditions de laboratoires standard, le rendement réel peut varier.
- Le produit doit être utilisé pour l'eau froide seulement.
- Le circuit d'eau doit être installé conformément aux lois et règlements locaux et à ceux de la province concernée.
- La performance réelle peut varier puisque le test a été effectué sous des conditions de laboratoires standard.
- Ne pas utiliser ce produit pour filtrer une eau microbiologiquement polluée ou de qualité inconnue en l'absence d'un dispositif de désinfection adéquat en amont ou en aval du système. Les systèmes certifiés pour la réduction des kystes peuvent être utilisés pour une eau désinfectée susceptible de contenir des kystes filtrables. Étab. EPA no 85075-SG-001.
- Consulter la section « Garantie » (dans les instructions d'utilisation ou le guide d'utilisation) pour connaître la garantie limitée, le nom et le numéro de téléphone du fabricant.

#### Directives d'application/paramètres d'approvisionnement en eau

Source d'eau	Puits ou collectivité
Pression d'eau	30 à 120 lb/po <sup>2</sup> (207 à 827 kPa)
Température de l'eau	33 °F à 100 °F (0,6 °C à 37,8 °C)
Débit nominal	0,52 gal/m (1,97 L/m) à 60 lb/po <sup>2</sup> (413,7 kPa)

- Votre système de filtration de l'eau résistera à une pression d'eau allant jusqu'à 120 lb/po<sup>2</sup> (827 kPa). Si l'alimentation en eau est supérieure à 80 lb/po<sup>2</sup>, installer un détendeur avant d'installer le système de filtration d'eau.
- Conforme à la norme NSF/ANSI 53 pour la réduction de COV. Voir le tableau ci-dessous pour les contaminants individuels et la performance de réduction.



\*Classe I – taille des particules : > 0,5 µm à > 1 µm

\*\*Cette performance COV compte pour le retrait de 39 contaminants selon le test COV indirect

†Sur la base de l'utilisation de microsphère de polystyrène

‡Filtres de longueur supérieure à 10 um

**La fiche de données relatives au rendement de la réduction des produits chimiques organiques est incluse dans le test indirect**

<b>Substance</b>	<b>Concentration dans l'eau à traiter (mg/l)</b>	<b>Limite permise de concentration du produit dans l'eau (mg/l)</b>
Alachlore	0,050	0,001
Atrazine	0,100	0,003
Benzène	0,081	0,001
Carbofurane	0,190	0,001
Tétrachlorure de carbone	0,078	0,001 8
Chlorobenzène	0,077	0,001
Chloropicrine	0,015	0,000 2
2,4-d	0,110	0,001 7
1,2-dibromo-3-chloropropane (DBCP)	0,052	0,000 02
O-dichlorobenzène	0,080	0,001
p-dichlorobenzène	0,040	0,001
1,2-dichloroéthane	0,088	0,004 8
1,1-dichloroéthane	0,083	0,001
Cis-1,2-dichloroéthane	0,170	0,000 5
Trans-1,2-dichloroéthane	0,086	0,001
1,2-dichloropropane	0,080	0,001
Cis-1,3-dichloropropène	0,079	0,001
Dinosèbe	0,170	0,002
Endrin	0,053	0,000 59
Éthylbenzène	0,088	0,001
1,2-Dibromoéthane (EDB)	0,044	0,000 02
Haloacétonitriles (HAN)		
Bromochloroacétonitrile	0,022	0,000 5
Dibromoacétonitrile	0,024	0,000 6
Dichloroacétonitrile	0,009 6	0,000 2
Trichloroacétonitrile	0,015	0,000 3
Halocétones (HK)		
1,1-dichloro-2-propanone	0,007 2	0,000 1
1,1,1-trichloro-2-propanone	0,008 2	0,000 3
Heptachlore	0,025	0,000 01
Époxyde d'heptachlore	0,010 7	0,000 2
Hexachlorobutadiène	0,044	0,001
Hexachlorocyclopentadiène	0,060	0,000 002
Lindane	0,055	0,000 01
Méthoxychlore	0,050	0,000 1
Pentachlorophénol	0,096	0,001

Substance	Concentration dans l'eau à traiter (mg/l)	Limite permise de concentration du produit dans l'eau (mg/l)
Simazine	0,120	0,004
Styrène	0,150	0,000 5
1,1,2,2-tétrachloroéthane	0,081	0,001
Tétrachloroéthène	0,081	0,001
Toluène	0,078	0,001
2,4,5-TP (Silvex)	0,270	0,001 6
Acide tribromoacétique	0,042	0,001
1,2,4-trichlorobenzène	0,160	0,000 5
1,1,1-trichloroéthane	0,084	0,004 6
1,1,2-trichloroéthane	0,150	0,000 5
Trichloréthylène	0,180	0,001 0
Trihalogénométhanés (incluant) Chloroforme (chimique auxiliaire) Bromoforme Bromodichlorométhane Chlorodibromométhane	0,300	0,015
Xylènes (total)	0,070	0,001

Assistance client **1 800 442-9991**  
par Whirlpool Corporation  
2000 North M63  
Benton Harbor, MI 49022

## NOTES

## NOTES

## NOTES

