

# *Installation* **GUIDE**

PRD304WHC/U PRD305WHC/U PRD364WDHC/U  
PRD366WHC/U PRD486WDHC/U PRG304WH  
PRG305WH PRG364WDH PRG366WH PRG486WDH  
PRD364WDGU/C PRD364WIGU/C PRD366WGU/C  
PRD486WDGU/C PRD486WIGU/C PRD48WDSGU/C  
PRD48WISGU/C PRD606WEG PRD606WESG  
PRG364WDG PRG366WG PRG486WDG PRI30LBHU/  
C PRI36LBHU/C PRG488BH PRD488BHU/C

Professional Series Pro Grand® and Pro Harmony®  
Ranges



## Table of contents

<b>1 IMPORTANT SAFETY INSTRUCTIONS.....</b>	<b>3</b>	<b>9 Testing the operation.....</b>	<b>26</b>
1.1 Safety definitions.....	4	9.1 Testing the rangetop burners .....	26
1.2 General safety instructions.....	4	9.2 Flame characteristics .....	26
1.3 Appliance handling safety .....	5	<b>10 Installer checklist.....</b>	<b>27</b>
1.4 Electrical safety.....	5	<b>11 Customer Service.....</b>	<b>27</b>
1.5 Gas safety.....	6	11.1 Model number (E-Nr.) and production number (FD).....	28
1.6 Safety codes and standards.....	6	11.2 Rating plate location.....	28
1.7 Ventilation recommendations .....	7		
1.8 REAR CLEARANCE REQUIREMENTS.....	7		
1.9 State of California Proposition 65 Warnings .....	7		
<b>2 Before you begin.....</b>	<b>8</b>		
2.1 Parts included.....	8		
2.2 Tools and parts needed .....	8		
2.3 Power requirements and grounding .....	8		
2.4 Ventilation requirements .....	8		
<b>3 Installation requirements .....</b>	<b>9</b>		
3.1 Location requirements.....	9		
3.2 Gas and electric requirements .....	12		
<b>4 Prior to installation .....</b>	<b>13</b>		
4.1 Installing the anti-tip bracket.....	13		
4.2 Unpacking and moving the appliance.....	14		
4.3 Removing the oven door .....	15		
4.4 Removing the warming drawer.....	15		
<b>5 Gas requirements and connections .....</b>	<b>16</b>		
5.1 High altitude installation .....	16		
5.2 Gas requirements .....	16		
5.3 Connecting the gas supply .....	16		
<b>6 Electrical requirements and connection for GAS models .....</b>	<b>17</b>		
6.1 Electrical supply circuit requirements .....	17		
<b>7 Electrical requirements and connection for DUAL FUEL and INDUCTION models .....</b>	<b>19</b>		
7.1 Preparation for power connection.....	19		
7.2 Installing a four-wire connection .....	20		
7.3 Installing a three-wire connection .....	20		
7.4 Electric wiring diagrams and schematics.....	21		
<b>8 Installation procedure .....</b>	<b>21</b>		
8.1 Installing the low backguard (purchased separately) .....	21		
8.2 Placing the range .....	22		
8.3 Adjusting the leveling legs.....	23		
8.4 Adjusting the toe kick panel - Pro Harmony® models .....	23		
8.5 Installing the leg covers - Pro Grand® models .....	24		
8.6 Reinstalling the oven door.....	24		
8.7 Burner cap placement .....	25		
8.8 Placing the burner grates .....	25		
8.9 Preparing the electric griddle.....	25		



# IMPORTANT SAFETY INSTRUCTIONS

## READ AND SAVE THESE INSTRUCTIONS

---

Read all instructions carefully before use. These precautions will reduce the risk of electrical shock, fire and injury to persons. When using kitchen appliances, basic safety precautions must be followed including those in the following pages.

**⚠ WARNING:** If the information in these instructions is not followed exactly, a fire or explosion may result causing property damage, personal injury or death.

- Do not store or use gasoline or other flammable vapors and liquids in the vicinity of this or any other appliance.
- **WHAT TO DO IF YOU SMELL GAS**
  - Do not try to light any appliance.
  - Do not touch any electrical switch.
  - Do not use any phone in your building.
  - Immediately call your gas supplier from a neighbor's phone. Follow the gas supplier's instructions.
  - If you cannot reach your gas supplier, call the fire department.
- Installation and service must be performed by a qualified installer, service agency or the gas supplier.

**⚠ WARNING:**

**Never Operate the Top Surface Cooking Section of this Appliance Unattended.**

- Failure to follow this warning statement could result in fire, explosion, or burn hazard that could cause property damage, personal injury, or death.
- If a fire should occur, keep away from the appliance and immediately call your fire department.

**DO NOT ATTEMPT TO EXTINGUISH  
AN OIL/GREASE FIRE WITH WATER.**



# IMPORTANT SAFETY INSTRUCTIONS

## READ AND SAVE THESE INSTRUCTIONS

### 1.1 Safety definitions

Here you can find explanations of the safety signal words used in this manual.

#### **⚠ WARNING**

This indicates that death or serious injuries may occur as a result of non-observance of this warning.

#### **⚠ CAUTION**

This indicates that minor or moderate injuries may occur as a result of non-observance of this warning.

#### **NOTICE:**

This indicates that damage to the appliance or property may occur as a result of non-compliance with this advisory.

**Note:** This alerts you to important information and/or tips.

### 1.2 General safety instructions

All product manuals may be downloaded online at [www.thermador.com/us/support/owner-manuals](http://www.thermador.com/us/support/owner-manuals).

**IMPORTANT:** THE APPLIANCE MUST BE INSTALLED BY A QUALIFIED INSTALLER.

**IMPORTANT:** SAVE THESE INSTRUCTIONS FOR THE LOCAL ELECTRICAL INSPECTOR'S USE.

**INSTALLER:** LEAVE THESE INSTALLATION INSTRUCTIONS WITH THE UNIT FOR THE OWNER.

**OWNER:** Please retain these instructions for future reference. Read all safety instructions before operating the appliance. Have the installer show you where the electric circuit breaker and the gas supply shut-off valve are located so you know how and where to turn off the gas and electricity to the appliance.

Examine the appliance after unpacking it. In the event of transport damage, do not plug it in.

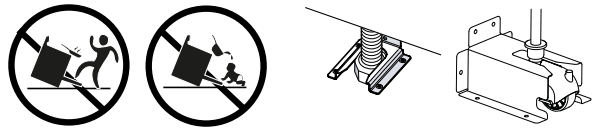
#### **WARNING**

If the information in this manual is not followed exactly, fire or shock may result causing property damage or personal injury.

Do not repair, replace or remove any part of the appliance unless specifically recommended in the manuals. Improper installation, service or maintenance can cause injury or property damage.

- ▶ Refer to this manual for guidance.
- ▶ All other servicing should be done by an authorized service provider.

#### **WARNING** **DANGER OF TIPPING ON RANGES**



- ▶ All ranges can tip and injury can result. To prevent accidental tipping of the range, attach it to the floor, wall, or cabinet by installing the anti-tip bracket supplied.
- ▶ A child or adult can tip the range over and be killed or seriously injured. Verify that the anti-tip bracket is securely installed. Ensure the anti-tip bracket is engaged when the range is moved.
- ▶ **DO NOT** operate the range without the anti-tip bracket in place. Failure to follow the instructions in this manual can result in death or serious burns to children and adults.
- ▶ If the range is moved for cleaning, service, or any other reason, ensure that the anti-tip bracket is properly reengaged when the range is pushed back into place. In the event of abnormal usage (such as a person standing, sitting, or leaning on an open door), failure to take this precaution can result in tipping of the range. Personal injury might result from spilled hot liquids or from the range itself.
- ▶ Check for proper installation and use of anti-tip bracket. Carefully tip range forward pulling from the back to ensure that the anti-tip bracket engages the range and prevents tip-over. Range should not move more than 1" (2.5 cm).

Disconnect electrical and gas supply before servicing. Never modify or alter the construction of the appliance.

- ▶ For example, do not remove leveling legs, panels, wire covers or anti-tip brackets/screws.
- The appliance should only be used if installed by a qualified technician in accordance with these installation instructions and all applicable regulations and codes. The manufacturer is not responsible for any damage resulting from incorrect installation or the failure to follow appropriate local codes and regulations.
- To eliminate the risk of burns or fire by reaching over heated surface units, cabinet storage space located above the surface units should be avoided.
- ▶ If cabinet storage is to be provided, the risk can be reduced by installing a hood that projects horizontally a minimum of 5" (127 mm) beyond the bottom of the cabinet.



# IMPORTANT SAFETY INSTRUCTIONS

## READ AND SAVE THESE INSTRUCTIONS

- ▶ Verify that cabinets above the cooktop are a maximum of 13" (330 mm) deep.

### WARNING

**DO NOT** install this appliance outdoors.

### WARNING

Remove all tape and packaging before using the appliance.

- ▶ Dispose of packaging in an environmentally responsible manner.
- ▶ Never allow children to play with packaging material.
- ▶ Store small parts safely as they can be a choke hazard.

### WARNING

To avoid possible burn or fire hazard, a backguard designed specifically for this appliance should be installed whenever the appliance is used.

### CAUTION

This unit is designed as a cooking appliance. Based on safety considerations, never use it for warming or heating a room. Doing so may result in carbon monoxide poisoning and overheating the appliance.

## 1.3 Appliance handling safety

### WARNING



Unit is heavy and requires at least two people or proper equipment to move.

- ▶ Do not lift appliance by door handle.
- ▶ Do not lift the appliance by the oven control panel.
- ▶ Remove the door for easier handling and installation. See instructions in this manual.

### WARNING



Hidden surfaces may have sharp edges.

- ▶ Use caution when reaching behind or under appliance.
- ▶ Wear gloves to avoid cutting fingers on sharp edges during installation.

## 1.4 Electrical safety

- **Installer** - show the owner the location of the circuit breaker or fuse. Mark it for easy reference.
- If required by the National Electrical Code (or Canadian Electrical Code), this appliance must be installed on a separate branch circuit.

- The appliance, when installed, must be electrically grounded in accordance with local codes or, in the absence of local codes, with the National Electrical Code, NFPA 70 latest edition, or the Canadian Electrical Code, CSA C22.1 latest edition.
- Refer to the rating plate for more information.

### WARNING

Before installing, turn power OFF at the service panel.

- ▶ Lock service panel to prevent power from being turned ON accidentally.

For appliances equipped with a cord and plug, do not cut or remove the ground prong.

- ▶ It must be plugged into a matching grounding type receptacle to avoid electrical shock.
- ▶ If there is any doubt as to whether the wall receptacle is properly grounded, the customer should have it checked by a qualified electrician.

### WARNING



#### ELECTRIC SHOCK HAZARD

- ▶ Disconnect power before installing or servicing. Before turning power ON, be sure that all controls are in the OFF position.
- ▶ DO NOT remove connections.
- ▶ DO NOT use an extension cord.
- ▶ Improper grounding can result in a risk of electric shock.
- ▶ Failure to follow these instructions can result in death, fire, or electrical shock.

#### GROUNDING INSTRUCTIONS

- ▶ This appliance must be grounded.
- ▶ Grounding reduces the risk of electric shock by providing a safe pathway for electric current in the event of a short circuit.
- ▶ Be sure your appliance is properly installed and grounded by a qualified technician.
- ▶ Installation, electrical connections and grounding must comply with all applicable codes.

Do not use an extension cord. If the power supply cord is too short, have a qualified electrician install an outlet near the appliance.

Before you turn on power supply, make sure all controls are in the OFF position.



# IMPORTANT SAFETY INSTRUCTIONS

## READ AND SAVE THESE INSTRUCTIONS

### 1.5 Gas safety

Requirements for gas supply:

- Verify the type of gas supplied to the location. Ensure that the appliance is connected to the type of gas for which it is certified.
- Install a gas shutoff valve near the appliance. It must be easily accessible in an emergency.
- Leak testing must be conducted by the installer according to the instructions in this manual.
- The appliance and its individual shutoff valve must be disconnected from the gas supply piping system during any pressure testing at pressures in excess of ½ psi (3.5 kPa).
- The appliance must be isolated from the gas supply piping system by closing its individual manual shutoff valve during any pressure testing of the gas supply piping system at test pressures equal to or less than ½ psi (3.5 kPa).
- A metal flex line or fixed metal pipe shall be used to connect gas to the appliance. If a metal gas line cannot be used, consult your local certified electrician or local electric codes for proper grounding.
- **Natural gas** — 7 inch water column. (17.4 mbar) min., 14 inch (34.9 mbar) maximum.
- **Propane gas** — 11 inch water column. (27.4 mbar) min., 14 inch (34.9 mbar) maximum.

This appliance is capable of being safely placed in operation in the event of a power failure. Only the standard top burners can be manually lit.

Always keep appliance area clear from combustible materials, gasoline and other flammable vapors and liquids.

#### CAUTION

When connecting the unit to propane gas, make certain the propane gas tank is equipped with its own high pressure regulator in addition to the pressure regulator supplied with the appliance. The maximum gas pressure to this appliance must not exceed 14.0" water column (34.9 mbar) from the propane gas tank to the pressure regulator.

**IMPORTANT SAFETY NOTICE:** Burning gas cooking fuel generates some by-products which are on the list of substances which are known by the State of California to cause cancer or reproductive harm. To minimize exposure

to these substances, always operate this unit according to the instructions contained in this booklet and provide good ventilation.

#### Propane gas installation

- The propane gas tank must be equipped with its own high pressure regulator. In addition, the regulator supplied with this unit must also be used.
- The appliance is shipped from the factory for use with natural gas. It must be converted for use with propane. A qualified technician or certified installer must do the conversion.

#### For Massachusetts installations

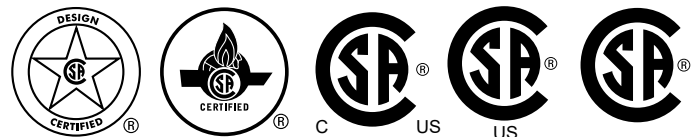
- Installation must be performed by a qualified or licensed contractor, plumber or gas fitter qualified or licensed by the state, province or region where this appliance is being installed.
- Shut-off valve must be a "T" handle gas cock.
- Flexible gas connector must not be longer than 36 inches.

Installer - show the owner where the gas shut-off valve is located.

### 1.6 Safety codes and standards

This appliance complies with the latest version of one or more of the following standards:

- UL 858 - Household Electric Ranges
- ANSI Z21.1 / CSA 1.1 Household Cooking Gas Appliances
- CAN/CSA C22.2 No. 61 - Household Cooking Ranges



Applicable codes:

- Check local building codes for the proper method of appliance installation.
- Local codes vary. The installer is responsible for ensuring that the installation, gas and electrical connections, and grounding comply with all applicable codes. The manufacturer is not responsible for improper installation or the failure to follow appropriate local codes and regulations.
- The installation of appliances designed for manufactured (mobile) home installation must conform with the Manufactured Home Construction and Safety



# IMPORTANT SAFETY INSTRUCTIONS

## READ AND SAVE THESE INSTRUCTIONS

Standard, Title 24 CFR, Part 3280 [formerly the Federal Standard for Mobile Home Construction and Safety, Title 24, HUD {Part 280}] or with local codes where applicable.

- The installation of appliances designed for Recreational Park Trailers must conform with state or other codes or, in the absence of such codes, with the ANSI A119.5 Park Model Recreational Vehicle Standard.
- In the absence of local codes the appliance should be installed in accordance with the National Electrical Code NFPA 70 current issue and National Gas Code NFPA 54/ ANSI Z223.1 – current issue. In Canada, installation must be in accordance with the Canadian Electrical Code, CSA C22.1-02 and the latest editions of the CSA B149.1 Natural Gas and Propane Installation Code and the CSA B149.2 Propane Storage and Handling Code and/or local codes.

It is the responsibility of the owner and the installer to determine if additional requirements and/or standards apply to specific installations.

### 1.7 Ventilation recommendations

We strongly recommend the installation of a ventilation hood above this appliance.

The hood must be installed according to instructions furnished with the hood.

#### WARNING

The appliance should not be installed with a ventilation system that blows air downward toward the burners. This type of ventilation system may cause ignition and combustion problems with the gas cooking appliance resulting in personal injury or unintended operation.

### 1.8 REAR CLEARANCE REQUIREMENTS

To avoid staining on the back wall, high temperature, non-porous construction materials suitable for use in a cooking environment are recommended.

**IMPORTANT:** There is a possibility to discolor the back wall under certain cooking conditions.

Models suitable for 0" rear clearance to combustible surfaces:

- PCG305xx
- PRG305xx
- PRG304xx
- PRD305xx
- PRD304

- PRD488BHU/C
- PRG488BH
- PRD606xx
- PRI30LBxx
- PRI36LBxx

All other models:

- When using the included island trim a minimum 6" (152 mm)\* rear clearance is required to a combustible surface\*.
- When installing against a combustible surface, a Thermador low backguard is required for a 0" rear clearance to the combustible surface. A Thermador low backguard must be purchased separately.
- A rear clearance to a surface covered in a non-combustible material (metal, ceramic tile, brick, marble, or stone)\*<sup>Δ</sup>, is 0" when using the included Island Trim.

\*Clearances of less than 6" (152 mm) should be approved by the local codes and/or by the local authority having jurisdiction.

Δ Clearances from non-combustible materials are not part of the ANSI Z21.1 scope and are not certified by CSA.

### 1.9 State of California Proposition 65 Warnings

This product may contain a chemical known to the State of California, which can cause cancer or reproductive harm. Therefore, the packaging of your product may bear the following label as required by California:

**STATE OF CALIFORNIA PROPOSITION 65 WARNING:**

 **WARNING**

Cancer and Reproductive Harm - [www.P65Warnings.ca.gov](http://www.P65Warnings.ca.gov)

## 2 Before you begin

This Installation Guide covers several models. All graphics are representative. Your appliance may vary in appearance and features.

### 2.1 Parts included

After unpacking all the parts, check for any damage in transit and for completeness of delivery.

- Anti-tip bracket
- 1½" (38 mm) cross-head screws (4)
- Terminal lugs; for use with hard-wired installations (not required for Canadian installations)
- White jumper wire (3-wire adapter)

### 2.2 Tools and parts needed

Prepare these tools and accessories before you start to install your appliance.

#### Tools

- Pencil
- Measuring tape
- Level
- Safety glasses
- Safety gloves
- Hand or electric drill
- ⅜" (4.76 mm) drill bit
- ⅛" (3.17 mm) drill bit
- T20 star bit screwdriver
- T30 star bit screwdriver
- Cross head screwdriver
- Cloth or cardboard to protect floor
- Furniture dolly or sled
- **Gas models only:**
- 7/16" (11 mm) box end wrench or ratchet and socket
- 12" (305 mm) adjustable wrench

#### Additional parts needed

- Drywall / concrete anchors
- 40 or 50 Amp power supply cord kit with strain relief; depending on local codes. (Dual fuel models only: Not necessary for Canadian installations, cord is preinstalled at factory.)
- Rope/twine
- **Gas models only:**
- NPT flare adapters (2)
- Pipe compound/tape
- ¾" (19 mm) Flex line

#### **NOTICE:**

There is a possibility to discolor the back wall under certain cooking conditions.

### 2.3 Power requirements and grounding

The outlet must be properly grounded in accordance with all applicable codes.

### 2.4 Ventilation requirements

#### **WARNING**

The appliance should not be installed with a ventilation system that blows air downward toward the burners. This type of ventilation system may cause ignition and combustion problems with the gas cooking appliance resulting in personal injury or unintended operation.

- Refer to the "Ventilation Planning Guide" for approved ventilation combinations.
- It is strongly recommended that this appliance be installed in conjunction with a Thermador vent hood. Due to the high heat capability of this appliance, particular attention should be paid to the hood and duct work installation to assure it meets local building codes.
- Downdraft ventilation should not be used. The "Ventilation Planning Guide" indicates the ventilation hood options and blower capacity guidelines that are recommended for use.
- Due to the high heat of the rangetop burners, installing a microwave oven with a ventilation system over the rangetop is not recommended on any model other than the 30" 5-burner and induction ranges. Refer to the Over the Range or Rangetop (OTR) manufacturer's installation manual for clearances.
- Ventilation hoods and blowers are designed for use with single wall ducting. However, some local building codes or inspectors may require double wall ducting. Consult local building codes and/or local agencies before starting to assure that hood and duct installation will meet local requirements.

#### **NOTICE:**

Most range hoods contain combustible components which must be considered when planning the installation.

#### **Preparing for the ventilation**

1. Select hood and blower models.
  - For wall installations, the hood width must, at a minimum, equal the width of the range/rangetop. Where space permits, a hood larger in width than the range/rangetop may be desirable for improved ventilation performance.
  - For island installations, the hood width should overhang the width of the range/rangetop by a minimum of 3" (76 mm) on each side.
2. Consider hood placement.
  - For best smoke elimination, the lower edge of the hood should be installed 30" (762 mm) above the range cooking surface.
  - If the hood contains any combustible materials (i.e. a wood covering), it must be installed a minimum of 36" (914 mm) above the cooking surface.

3. Consider make-up air.
  - Due to the high volume of ventilation air, a source of outside replacement air is recommended. This is particularly important for tightly sealed and insulated homes.
  - A qualified heating and ventilating contractor should be consulted.

## 3 Installation requirements

Read these instructions to prepare the installation space for your appliance.

### 3.1 Location requirements

The appliance is a free standing unit. If the appliance is to be placed adjacent to cabinets, the clearances shown in this section are required. The same clearances apply to island installations, except for the overhead cabinets, which must have a space wide enough to accept the island hood.

#### CAUTION

To prevent possible damage to cabinets and cabinet finishes:

- ▶ Use only materials and finishes that will not discolor or divide into layers.
- ▶ Materials should be able to withstand temperatures up to 194°F (90°C).
- ▶ Heat and moisture resistant adhesive must be used if the product is to be installed in laminated cabinetry.
- ▶ Check with the product manufacturer to ensure materials meet these requirements.

Specifications:

- The gas and electrical supply should be within the zones shown in the image on clearance requirements. → *"Gas and electric requirements", Page 12*
- Any opening in the wall behind the appliance and in the floor under the appliance shall be sealed.
- The upper shaded area behind the appliance indicates an opportunity to discolor the back wall under certain cooking conditions.
- There must be a minimum of 5" (127 mm) side clearance from the appliance to combustible vertical surfaces above the 36" (914 mm) counter height.
- Within the 5" (127 mm) side clearance to combustible vertical surfaces above 36" (91.4 cm), the maximum wall cabinet depth must be 13" (330 mm).
- Wall cabinets within this 5" (127 mm) side clearance must be 18" (457 mm) above the 36" (914 mm) high countertop.
- The maximum depth of the cabinets hanging on either side of the hood is 13" (330 mm).
- There is a 36" (914 mm) minimum clearance required between the top of the cooking surface and the bottom of an unprotected cabinet. A 30" (762 mm) clearance can be used when the bottom of the wood or metal cabinet is protected by not less than ¼" (6 mm) of a flame retardant material covered with not less than No.

28 MSG sheet steel, 0.015" (0.38 mm) thick stainless steel, 0.024" (0.61 mm) aluminum, or 0.02" (0.51 mm) thick copper.

- DO NOT obstruct oven vents.
- The appliance height is adjustable. The level of the range top must be at the same level or above the counter top level.
- To provide proper ventilation of the range DO NOT remove the range feet.

### Rear clearance requirements

To avoid staining on the back wall, high temperature, non-porous construction materials suitable for use in a cooking environment are recommended.

**IMPORTANT:** There is a possibility to discolor the back wall under certain cooking conditions.

Models suitable for 0" rear clearance to combustible surfaces:

- PCG305xx
- PRG305xx
- PRG304xx
- PRD305xx
- PRD304
- PRD488BHU/C
- PRG488BH
- PRD606xx
- PRI30LBxx
- PRI36LBxx

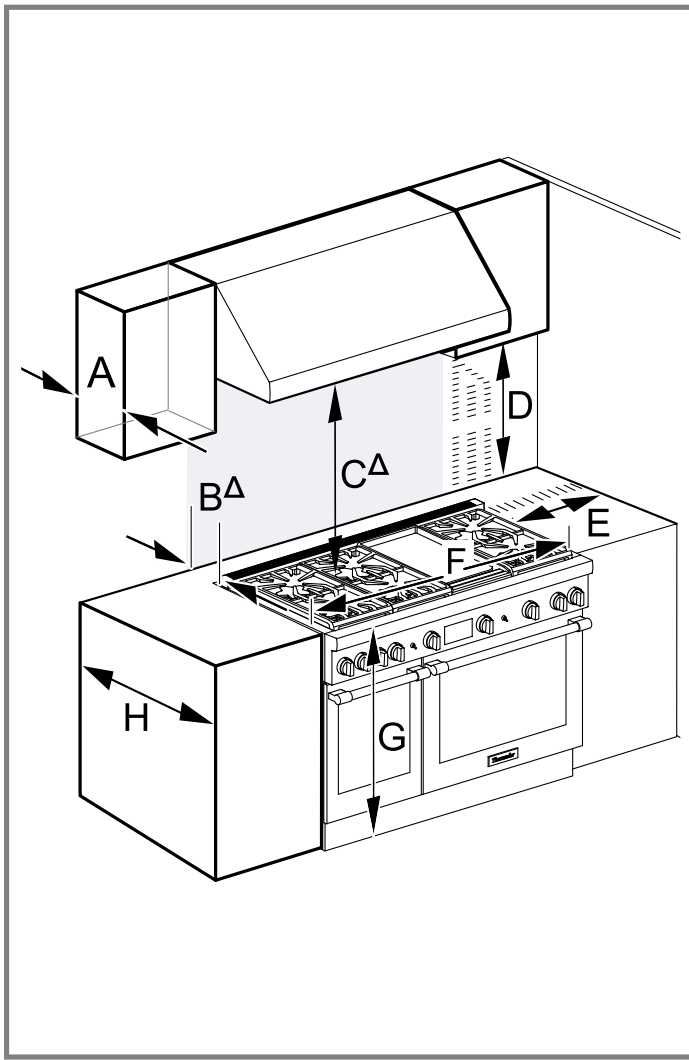
All other models:

- When using the included island trim a minimum 6" (152 mm)\* rear clearance is required to a combustible surface\*.
- When installing against a combustible surface, a Thermador low backguard is required for a 0" rear clearance to the combustible surface. A Thermador low backguard must be purchased separately.
- A rear clearance to a surface covered in a non-combustible material (metal, ceramic tile, brick, marble, or stone)\*<sup>Δ</sup>, is 0" when using the included Island Trim.

\*Clearances of less than 6" (152 mm) should be approved by the local codes and/or by the local authority having jurisdiction.

<sup>Δ</sup> Clearances from non-combustible materials are not part of the ANSI Z21.1 scope and are not certified by CSA.

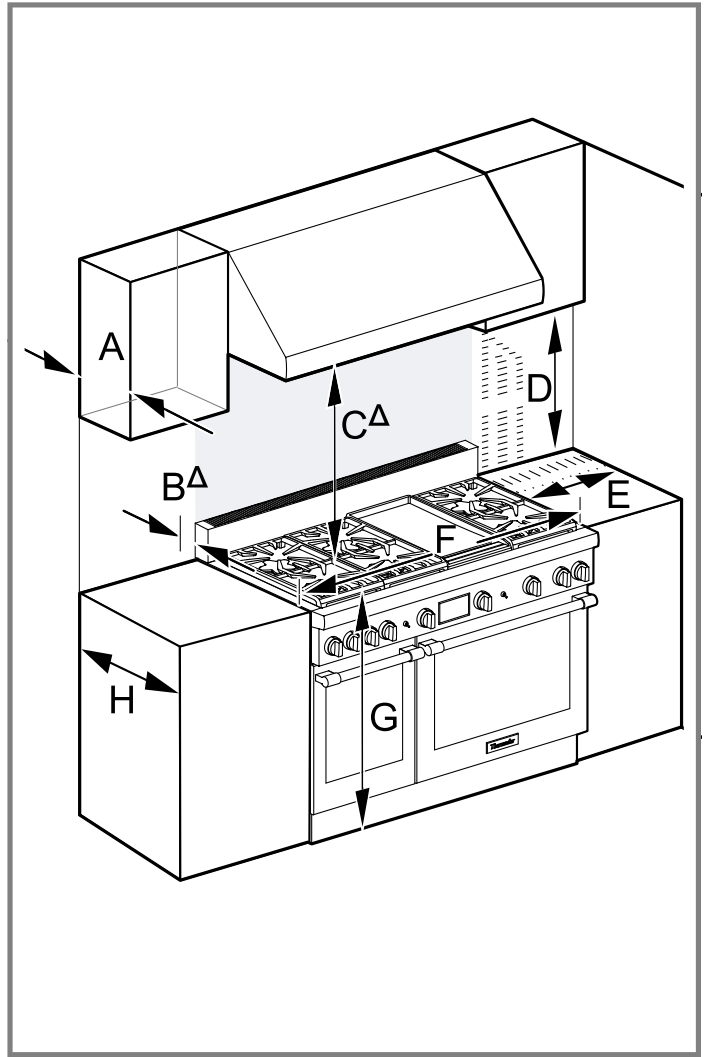
**Cabinet clearance requirements with island trim**



A	13" (330 mm)
B <sup>Δ</sup>	Induction, 60" and 48" 8-burner ranges: 0" (0 mm) All other ranges: 6" (152 mm)
C <sup>Δ</sup>	30" - 36" (762 mm - 914 mm)
D	18" (457 mm)
E	Induction ranges: 0" (0 mm) All other ranges: 5" (127 mm)
F	Depending on model: <ul style="list-style-type: none"> <li>■ 30" (762 mm)</li> <li>■ 36" (914 mm)</li> <li>■ 48" (1219 mm)</li> <li>■ 60" (1524 mm)</li> </ul>
G	35 <sup>7</sup> / <sub>8</sub> " - 36 <sup>3</sup> / <sub>4</sub> " (911 mm - 933 mm)
H	23 <sup>7</sup> / <sub>8</sub> " (606 mm)

Δ as defined in the "National Fuel Gas Code" (ANSI Z223.1, Current Edition). Clearances from non-combustible materials are not part of the ANSI Z21.1 scope and are not certified by CSA. Clearances of less than 6" (152 mm) should be approved by the local codes and/or by the local authority having jurisdiction. **There is a possibility to discolor the back wall under certain cooking conditions.**

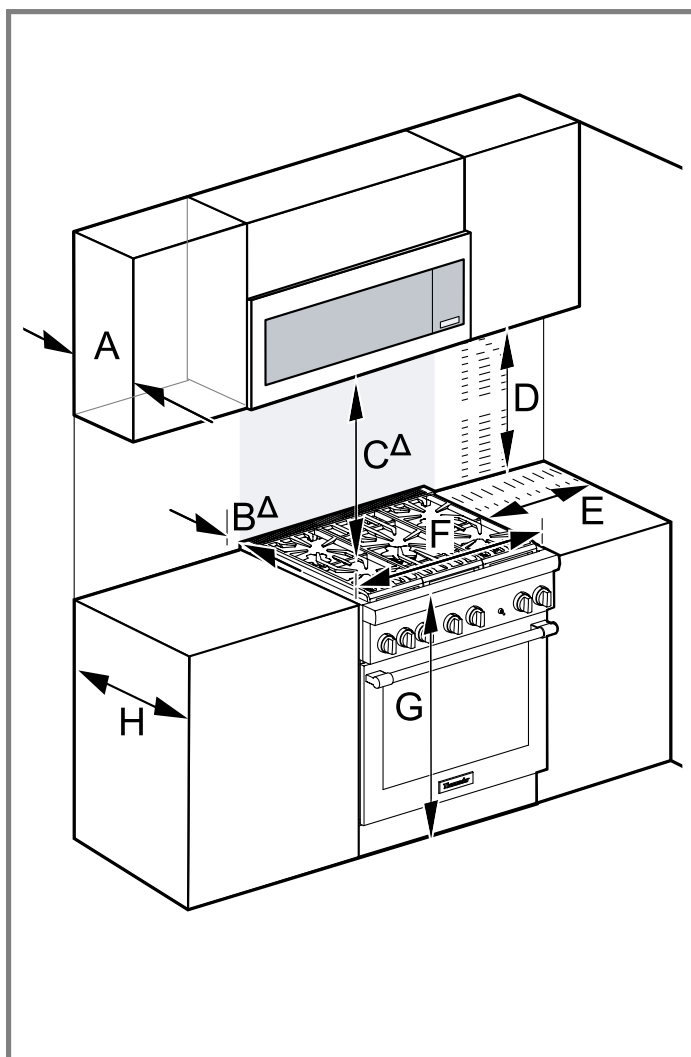
**Cabinet clearance requirements with low backguard (purchased separately)**



A	13" (330 mm)
B <sup>Δ</sup>	0" (0 mm)
C <sup>Δ</sup>	30" - 36" (762 mm - 914 mm)
D	18" (457 mm)
E	Induction ranges: 0" (0 mm) All other ranges: 5" (127 mm)
F	Depending on model: <ul style="list-style-type: none"> <li>■ 30" (762 mm)</li> <li>■ 36" (914 mm)</li> <li>■ 48" (1219 mm)</li> </ul>
G	35 <sup>7</sup> / <sub>8</sub> " - 36 <sup>3</sup> / <sub>4</sub> " (911 mm - 933 mm)
H	23 <sup>7</sup> / <sub>8</sub> " (606 mm)

Δ as defined in the "National Fuel Gas Code" (ANSI Z223.1, Current Edition). Clearances from non-combustible materials are not part of the ANSI Z21.1 scope and are not certified by CSA. Clearances of less than 6" (152 mm) should be approved by the local codes and/or by the local authority having jurisdiction. **There is a possibility to discolor the back wall under certain cooking conditions.**

### Cabinet clearance requirements with OTR microwave for 30" 5-burner and induction ranges



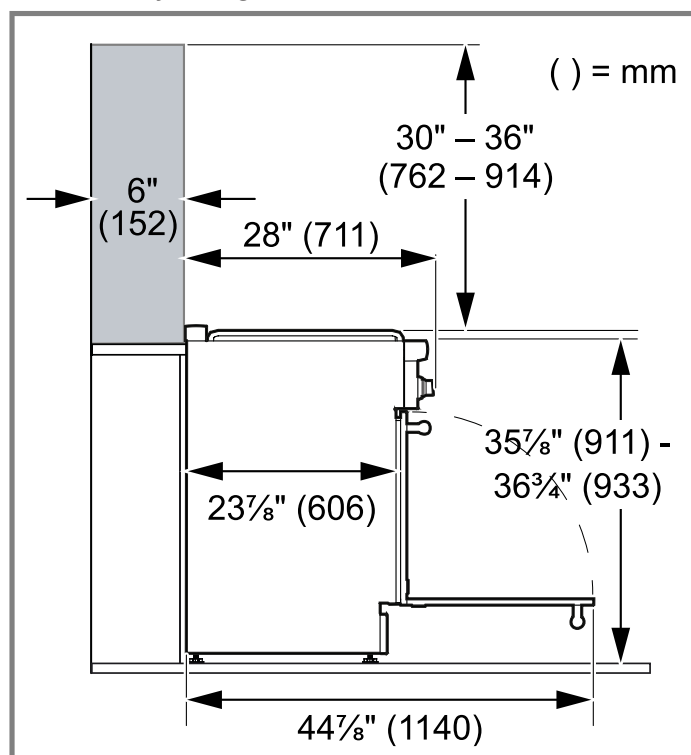
A	13" (330 mm)
B <sup>Δ</sup>	0" (0 mm)
C <sup>Δ</sup>	min. 30" (762 mm) to non-combustible material above the cooking surface. Refer to OTR manufacturer's installation manual for clearances.
D	18" (457 mm)
E	Induction ranges: 0" (0 mm) All other ranges: 5" (127 mm)
F	30" (762 mm)
G	35 <sup>7</sup> / <sub>8</sub> " - 36 <sup>3</sup> / <sub>4</sub> " (911 mm - 933 mm)
H	23 <sup>7</sup> / <sub>8</sub> " (606 mm)

Δ as defined in the "National Fuel Gas Code" (ANSI Z223.1, Current Edition). Clearances from non-combustible materials are not part of the ANSI Z21.1 scope and are not certified by CSA. Clearances of less than 6" (152 mm) should be approved by the local codes and/or by the local authority having jurisdiction. **There is a possibility to discolor the back wall under certain cooking conditions.**

### Side clearances

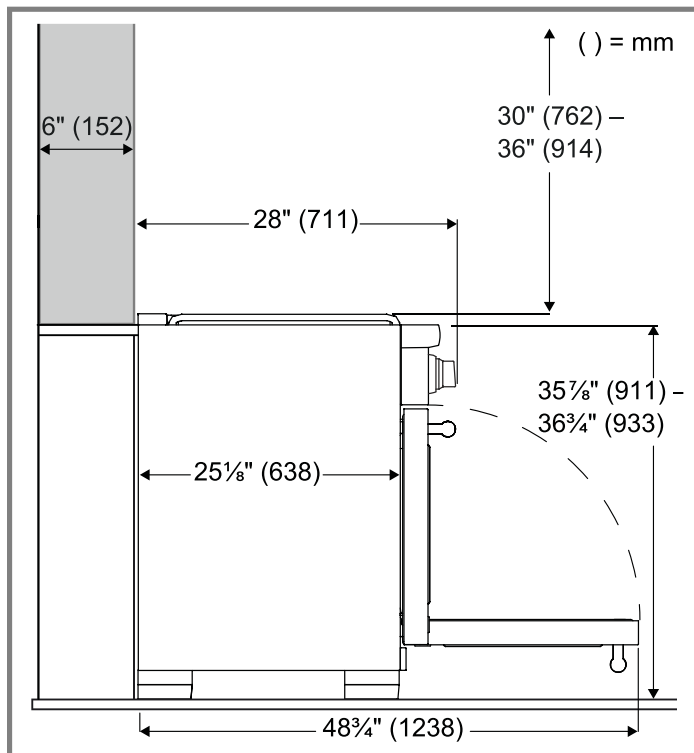
- The dimensions shown are with the included island trim. A low backguard option is available (purchased separately).
- For an island trim install, the counter surface should have a cantilever edge meeting the back section of the island trim.
- If an inner wall is used under the cantilever counter top there should be a 1/8" (3 mm) gap from the rear of the appliance.
- The shaded area behind the appliance indicates the minimum clearance to combustible surfaces. Combustible materials cannot be located within this area with the island trim.

### Pro Harmony® ranges



- There is a 44<sup>7</sup>/<sub>8</sub>" (1140 mm) total clearance
- There is a 23<sup>7</sup>/<sub>8</sub>" (606 mm) maximum recess depth

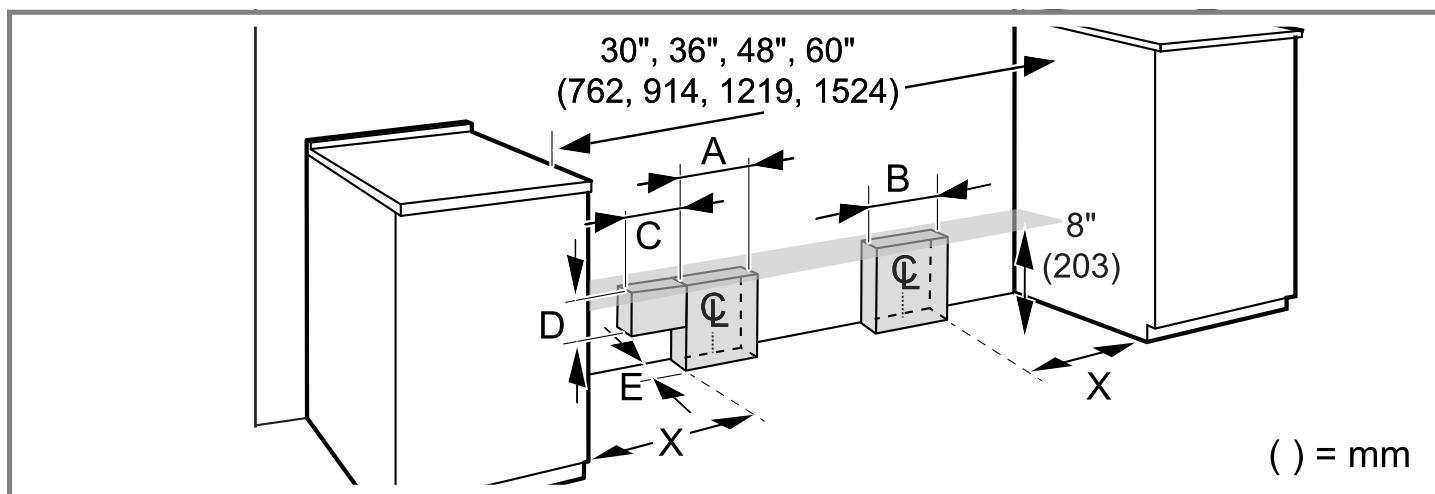
**Pro Grand® ranges**



- There is a 48<sup>3</sup>/<sub>4</sub>" (1238 mm) total clearance
- There is a 25<sup>1</sup>/<sub>8</sub>" (638 mm) maximum recess depth

**3.2 Gas and electric requirements**

- **IMPORTANT:** If not already present, install a gas shut-off valve in an easily accessible location. Make sure all users know where and how to shut off the gas supply to the appliance.
- A metal flex line or fixed metal pipe shall be used to connect gas to the appliance. If a metal gas line cannot be used, consult your local certified electrician or local electric codes for proper grounding.
- Any opening in the wall behind the appliance and any opening in the floor under the appliance must be sealed.
- The appliance must be connected only to the type of gas for which it is certified. If the appliance is to be connected to propane gas, ensure that the propane gas supply tank is equipped with its own high pressure regulator in addition to the pressure regulator supplied with the appliance.
- The gas and electrical supplies must be within the zones as indicated in the image in this section.
- A manual gas shut-off valve must be installed external to the appliance, in a location accessible from the front, for the purpose of shutting off the gas supply. The supply line must not interfere with the back of the unit.
- The appliance is supplied with its own pressure regulator that has been permanently mounted within the appliance body.
- For nearly-flush installation to the back wall, the gas supply line and electrical cord should not go above 9" (229 mm) above the floor.
- When the power supply cord or conduit is connected to the mating receptacle or terminal block cover, the combined plug and receptacle, or terminal block cover and conduit connector should protrude no more than 2" (51 mm) from the rear wall.
- The installer should inform the owner of the location of the gas shut-off valve. Make sure all users know where and how to shut off the gas supply to the appliance.



Range model	Gas zone A	Electric zone B	X	C	D	E
All Pro Harmony® series	4" (102 mm)	6" (152 mm)	5" (127 mm)	N/A	N/A	2" (51 mm)
36"/48" Pro Grand® series	4" (102 mm)	6" (152 mm)	8" (203 mm)	4" (102 mm)	3" (76 mm)	2" (51 mm)
60" Pro Grand® series	4" (102 mm)	6" (152 mm)	8" (203 mm)	4" (102 mm)	3" (76 mm)	1" (25 mm)

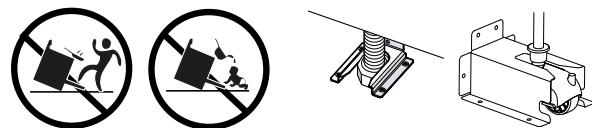
## 4 Prior to installation

Carry out these steps to prepare your appliance for installation.

### 4.1 Installing the anti-tip bracket

The range can tip forward, potentially causing injury and damage, if the anti-tip bracket is not properly installed. Do not operate the range without the anti-tip bracket in place.

#### ⚠ WARNING DANGER OF TIPPING ON RANGES



- ▶ All ranges can tip and injury can result. To prevent accidental tipping of the range, attach it to the floor, wall, or cabinet by installing the anti-tip bracket supplied.
- ▶ A child or adult can tip the range over and be killed or seriously injured. Verify that the anti-tip bracket is securely installed. Ensure the anti-tip bracket is engaged when the range is moved.
- ▶ **DO NOT** operate the range without the anti-tip bracket in place. Failure to follow the instructions in this manual can result in death or serious burns to children and adults.
- ▶ If the range is moved for cleaning, service, or any other reason, ensure that the anti-tip bracket is properly reengaged when the range is pushed back into place. In the event of abnormal usage (such as a person

standing, sitting, or leaning on an open door), failure to take this precaution can result in tipping of the range. Personal injury might result from spilled hot liquids or from the range itself.

- ▶ Check for proper installation and use of anti-tip bracket. Carefully tip range forward pulling from the back to ensure that the anti-tip bracket engages the range and prevents tip-over. Range should not move more than 1" (2.5 cm).

#### ⚠ WARNING ELECTRICAL SHOCK HAZARD

- ▶ Use extreme caution when drilling holes into the wall or floor as there may be concealed electrical wires.
- ▶ Identify the electrical circuits that could be affected by the installation of the anti-tip bracket, then turn off power to these circuits.
- ▶ Failure to follow these instructions may result in electrical shock or other personal injury.

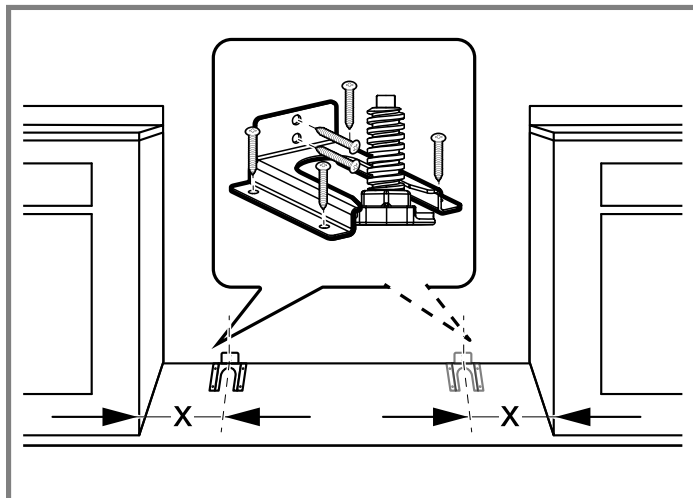
#### Note

- The hardware provided is for mounting through standard thickness wood studs. The installer is responsible for providing hardware for other types of mounting situations.
- Contact a qualified installer or contractor to determine the proper method for drilling holes through the wall or floor material, such as ceramic tile, hardwood or other.
- The anti-tip bracket may be attached to a solid wood surface having a minimum wall thickness of  $\frac{3}{4}$ " (19 mm).
- The thickness of the wall or floor may require the use of longer screws, available at your local hardware store.

- In all cases, at least two (2) of the anti-tip bracket mounting screws must be fastened to a solid wood surface.
  - Use appropriate anchors when fastening the mounting bracket to any material other than hardwood or metal.
1. Remove the anti-tip bracket from the literature packet, inside the box that was on top of the appliance.
  2. Place the anti-tip bracket on the floor as shown. It may be placed on either the left or the right side.
  3. Measure and mark the distance stated for your appliance model. Center the anti-tip bracket on the marking.  
→ "Anti-tip bracket location", Page 14
  4. For walls, wall studs, or floors composed of solid wood or metal, drill  $\frac{1}{8}$ " (3 mm) pilot holes.
  5. Secure the anti-tip bracket to the floor and/or the wall stud using the (4)  $1\frac{1}{2}$ " (38 mm) cross-head screws provided.
  6. When installing the appliance, ensure that the adjustable leg slides under the anti-tip bracket.

### Anti-tip bracket location

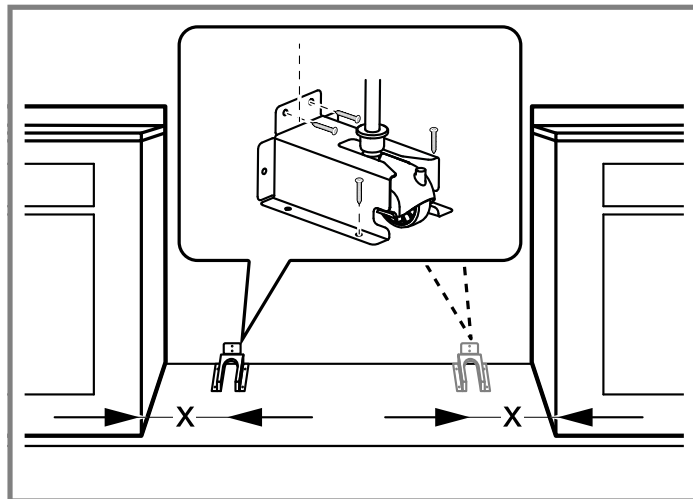
#### 30", 36" and 48" ranges



**Note:** The image shows all possible screw locations. Use at least 2 of the 4 screws provided.

Model	Value for "X"
30" Pro Harmony®	$1\frac{3}{4}$ " (45 mm)
36" Pro Harmony®	$2\frac{3}{16}$ " (56 mm)
36" Pro Grand®	$3\frac{7}{8}$ " (98 mm)
48" steam models only	$1\frac{5}{8}$ " (41 mm)
48" all other models	$1\frac{3}{4}$ " (45 mm)

#### 60" ranges



**Note:** The image shows all possible screw locations. Use at least 2 of the 4 screws provided.

Model	Value for "X"
60"	2" (51 mm)

## 4.2 Unpacking and moving the appliance

### ⚠ CAUTION

Take the following precautions when handling the appliance during installation.

- ▶ DO NOT lift the unit by the oven door's handle, as this may damage the door hinges and cause the door to fit incorrectly.
- ▶ DO NOT lift the unit by the range's control panel.
- ▶ The unit is heavy and should be handled accordingly. Proper safety equipment such as gloves and adequate manpower of at least two people must be used in moving the unit to avoid injury and to avoid damage to the unit or the floor.
- ▶ Rings, watches, and any other loose items that may damage the unit or otherwise might become entangled with the unit should be removed.
- ▶ Hidden surfaces may have sharp edges. Use caution when reaching behind or under the unit.
- ▶ DO NOT use a hand truck or appliance dolly on the back or front of the unit. Handle from the side only.

### Unpacking the appliance

#### **NOTICE:**

DO NOT remove the control panel foam until the unit is completely installed.  
DO NOT lift on the control panel at any point during the installation.

1. Remove the outer carton and packing materials from the shipping pallet.
2. Leave the protective film over brushed-metal surfaces, to protect finish from scratches, until the range is installed in its final position.
3. Remove the grates, burner caps and oven racks to facilitate handling.

- If desired, the oven doors and the warming drawer (if equipped) may be removed ,  
→ "Removing the warming drawer", Page 15.

### Moving the appliance

Due to the weight, a furniture dolly with soft wheels or an air lift should be used to move this unit. The weight must be supported uniformly across the bottom.

- To remove the pallet bolts in the front and in the back, use a  $\frac{7}{16}$ " (11 mm) wrench or ratchet and socket to remove the pallet bolt from the bottom of the pallet.
- Lift the range and remove it from the pallet. Use additional help as required to remove it from the pallet.
- Transport the range by furniture dolly close to its final location. The unit should not be dollyed from the front. DO NOT slide the range across an unprotected floor.
- The range can then be tipped back and supported on the rear legs while the dolly is carefully removed.  
THE FLOOR UNDER THE LEGS SHOULD BE PROTECTED BEFORE PUSHING THE UNIT INTO POSITION.

### 4.3 Removing the oven door

It is recommended to remove the oven door to reduce the weight of the appliance and to facilitate its handling and installation.

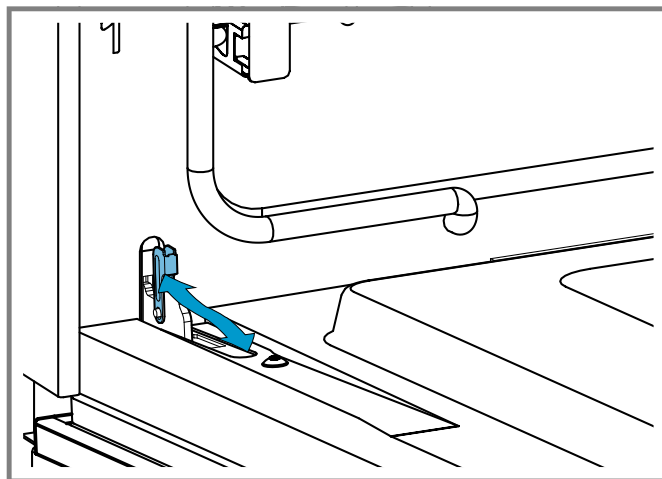
#### **⚠ WARNING**

Failure to follow these instructions when removing the oven door may lead to personal injury or product damage.

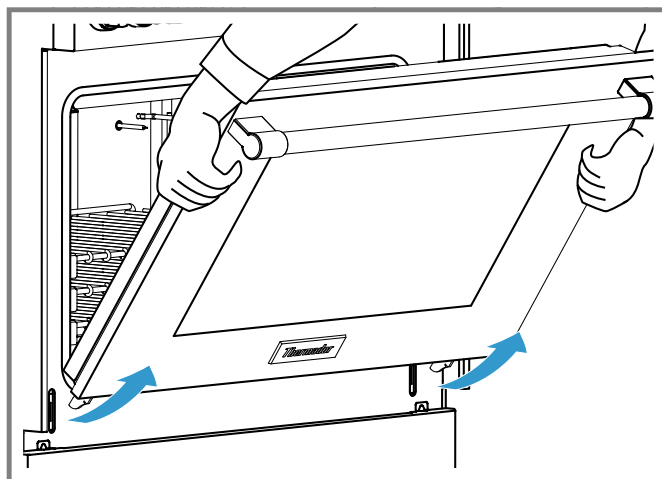
- ▶ Make sure oven is cool and power to the oven has been turned off before removing the door. Failure to do so could result in electrical shock or burns.
- ▶ The oven door is heavy and parts of it are fragile. Use both hands to remove the oven door.
- ▶ The door front is glass. Handle it carefully to avoid breakage.
- ▶ Grasp only the side of the oven door. Do not grasp the handle. It may swing in your hand and cause damage or injury. Failure to grasp the oven door firmly and properly could result in personal injury or product damage.
- ▶ To avoid injury from hinge bracket snapping closed, be sure both levers are securely in place before removing the door.
- ▶ Do not force the door open or closed. The hinge could be damaged and cause damage or injury.
- ▶ Do not lay the removed door on sharp or pointed objects as this could break the glass. Lay it on a flat, smooth surface, positioned so that the door cannot fall over.

- Be sure to read the above WARNING before attempting to remove the door.
- Open the door fully.

- Flip the hinge clips for both sides of the door. A screwdriver may be required to carefully pry the clip.

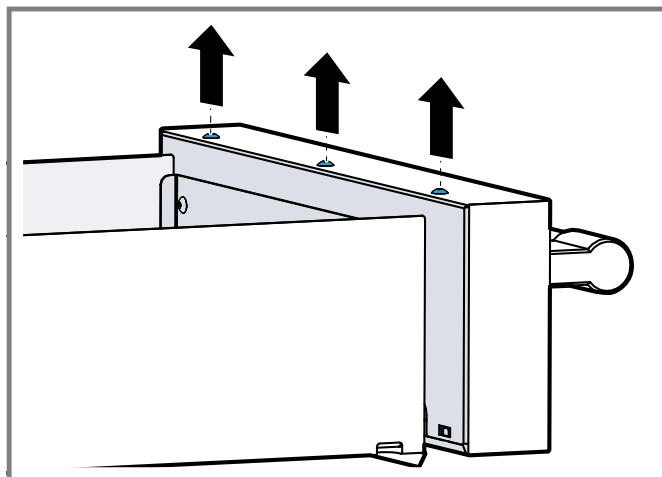


- Close the door gently until it stops against the hinge clips. The open hinge clips will hold the door open at a slight angle, about 30°, from the closed position.
- Grasp the door firmly on the ends of the door. Lift the door up and out. There will be some spring resistance to overcome.

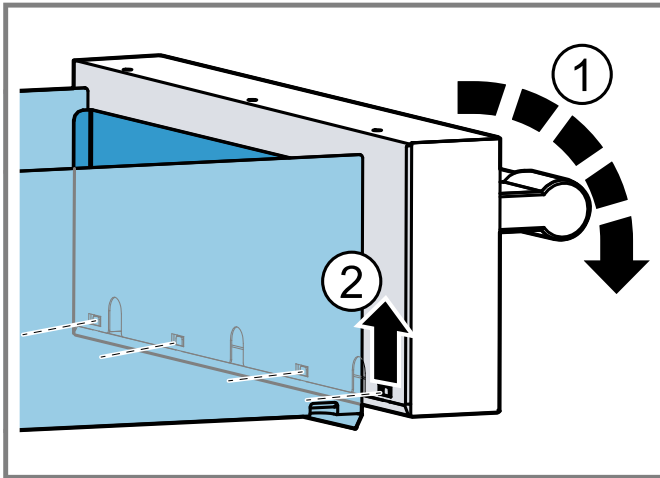


### 4.4 Removing the warming drawer

- On the top of the warming drawer door, remove the three (3) T-20 screws.



2. Rotate the warming drawer door out and then pull down to disengage from the retainer tabs.



## 5 Gas requirements and connections

### ⚠ CAUTION

The appliance must be isolated from the gas supply piping system by closing its individual manual shutoff valve during any pressure testing of the gas supply piping system at test pressures equal to or less than 1/2 psi (3.5 kPa).

When connecting unit to propane gas, make certain the propane gas tank is equipped with its own high pressure regulator in addition to the pressure regulator supplied with the appliance. The pressure of the gas supplied to the appliance regulator must not exceed 14" water column (34.9 mbar).

### ⚠ WARNING

**DO NOT** use a flame of any kind to check for gas leaks.

**IMPORTANT:** Do not ground to a gas pipe.

Verify the type of gas being used at the installation site. Make certain the range matches the type of gas available at this location.

The gas supply connections shall be made by a competent technician and in accordance with local codes or ordinances. In the absence of local codes, the installation must conform to the National Fuel Gas Code ANSI Z223.1/NFPA54- current issue.

### 5.1 High altitude installation

- This appliance has been tested for operation up to an altitude of 10,100 ft (3,078 m) elevation above sea level.
- A high altitude kit is required for natural gas above 5,400 ft (1,646 m) elevation above sea level, and for propane (LP) above 10,000 ft (3,048 m) elevation above sea level.

- If desired, for altitudes above 2,000 ft (610 m) elevation above sea level, adjustments can be made to the rangetop burners with an adjustment kit. If flame performance is satisfactory, adjustment will not be required.
- See Customer Service information about service, parts, and accessories. → Page 27

### 5.2 Gas requirements

Natural gas requirements:

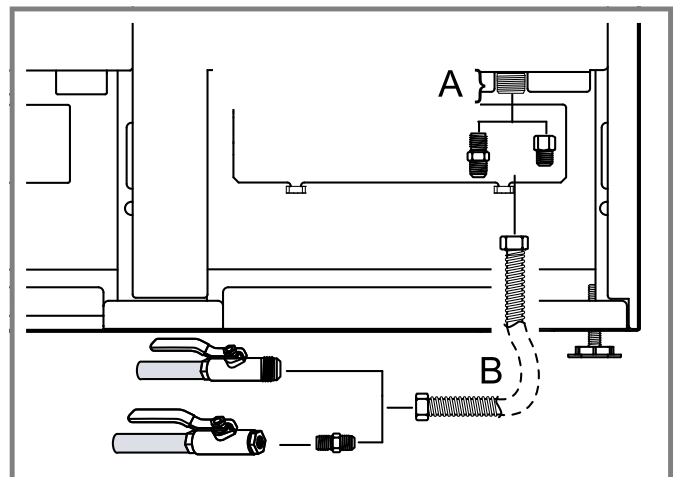
- Inlet connection: 1/2" NPT internal (min. 3/4" diameter flex line)
- Supply pressure: 7" min. to 14" max. water column (17.4 to 34.9 mbar)
- Manifold pressure: 5" water column (12.5 mbar)

Propane gas requirements:

- Inlet connection: 1/2" NPT internal (minimum 3/4" diameter flex line)
- Supply pressure: 11" min. to 14" max. water column (27.4 mbar to 34.9 mbar)
- Manifold pressure: 10" water column (24.9 mbar)

### 5.3 Connecting the gas supply

1. Make sure the gas supply is turned off at the manual shut-off valve before connecting the appliance.
2. Use a 3/4" (19 mm) flex line to connect between the gas supply and the appliance gas inlet. The gas supply line connection is located at the lower right portion. The appliance gas inlet connection is 1/2" (12.7 mm) NPT.
  - Use caution to avoid crimping the 3/4" (19 mm) flex line when making bends. Suggested length of flex line is 48" (1219 mm); however, please check local codes for your area's requirements before installation.



A 3/4" (19 mm) external threads  
1/2" (12.7 mm) internal threads

B 3/4" (19 mm) flex line

3. Use pipe sealing compound or Teflon® tape on the pipe threads. **DO NOT** apply sealing compound or tape to flare fittings. Take care not to apply excessive pressure when tightening the fittings.

4. Leak testing of the appliance shall be in accordance with the following instructions:
- Turn on gas and check supply line connections for leaks using a soap and water solution.
  - Bubbles forming indicate a gas leak. Repair all leaks immediately.

### Checking the gas line for leaks

Leak testing must be conducted by the installer according to the following instructions.

#### **⚠ WARNING**

**DO NOT** use a flame of any kind to check for gas leaks.

1. Turn on gas.
2. Apply a non-corrosive leak detection fluid to all joints and fittings in the gas connection between the shut-off valve and the appliance. Also check gas fittings and joints in the appliance if the connections may have been disturbed during installation.
  - ✓ Bubbles appearing around fittings and connections indicate a leak.
3. If a leak appears, turn off the supply line gas shut-off valve and tighten the connections.
4. Retest for leaks by turning on the supply line gas shut-off valve.
  - ✓ When the leak check is complete and no bubbles appear, the test is complete.
5. Wipe off all soap solution or detection fluid residue.
  - ✓ Do not continue the installation until all leaks are eliminated.

## 6 Electrical requirements and connection for GAS models

#### **⚠ WARNING**

Before installing, turn power OFF at the service panel.

- ▶ Lock service panel to prevent power from being turned ON accidentally.

#### **⚠ WARNING**

Always disconnect appliance from the electric supply either by disconnecting power cord or shutting off the breaker at the service panel before servicing the appliance.

#### **⚠ WARNING**

This appliance must be properly grounded. Electrical grounding instructions

- ▶ This appliance is equipped with a three-prong grounding plug for your protection against shock hazard and should be plugged directly into a properly grounded receptacle. **DO NOT** cut or remove the grounding prong from this plug.

#### **⚠ CAUTION**

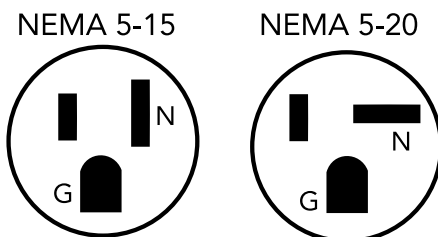
Improper grounding or reverse polarization will cause malfunction, such as continuous sparking of the burner igniters. This can damage the appliance and can create a condition of shock hazard.

- ▶ If the dedicated circuit is not correctly grounded and polarized, it is the responsibility and obligation of the installer and user to have the existing receptacle changed to a properly dedicated grounded and polarized receptacle.
- ▶ This must be accomplished by a qualified electrician in accordance with all applicable local codes and ordinances. In the absence of local codes and ordinances, the receptacle replacement shall be in accordance with the National Electrical Code.

**INSTALLER** - show the owner the location of the circuit breaker. Mark it for easy reference.

### 6.1 Electrical supply circuit requirements

The cord supplied with the gas ranges having an electric griddle requires a NEMA 5-20 receptacle. All other gas units require a NEMA 5-15 receptacle.



Model	Voltage	Dedicated circuit	Phase
Pxx305Wx	120 VAC	15 Amps	Single
Pxx366Wx	120 VAC	15 Amps	Single

Model	Voltage	Dedicated circuit	Phase
Pxx364WDx	120 VAC	20 Amps	Single
Pxx364WLx	120 VAC	20 Amps	Single
Pxx486WDx	120 VAC	20 Amps	Single
Pxx486WLx	120 VAC	20 Amps	Single

- Before you plug in an electrical cord, be sure all controls are in the OFF position.
- A neutral supply wire must be provided from the power source (breaker) because critical range components, including the surface burner spark re-ignition modules, require it to operate safely and properly.
- All 120 volt models must be plugged into a mating 3-prong, grounding-type receptacle. The receptacle must be connected to a properly dedicated grounded and polarized electrical power supply rated at 120 VAC, single phase, 60 Hz.
- Observe all governing codes and ordinances when grounding. In the absence of these codes or ordinances observe National Electrical Code ANSI/ NFPA 70 current issue, or the relevant Canadian Electrical Code, CSA C22.1 latest edition.

**Power cord connection**

**⚠ WARNING**

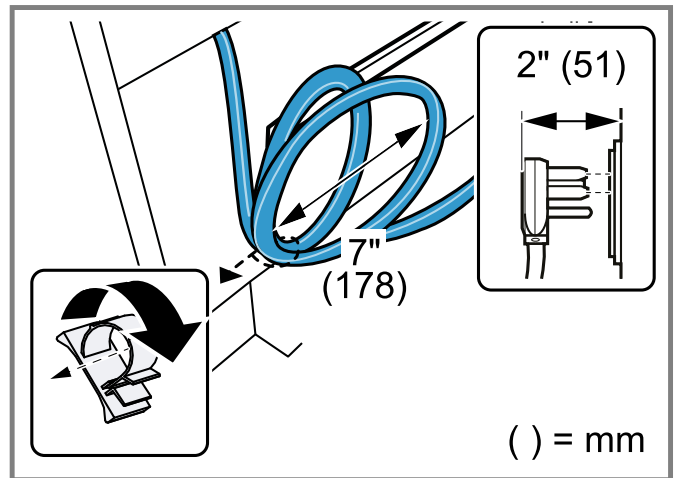
To avoid risk of fire or electrical shock:

- ▶ Do not allow the power cord to go beneath the range while moving the appliance to its permanent position.
- ▶ The power cord can become dislodged underneath the product, exposing it to high temperatures which can cause the power cord to melt.
- ▶ Follow the instructions carefully.

**Restraining the power cord**

1. Wrap the power cord two loops, approximately 7" (178 mm) diameter each, behind the appliance.
2. On the bottom left, route the power cord through the self-locking clip.

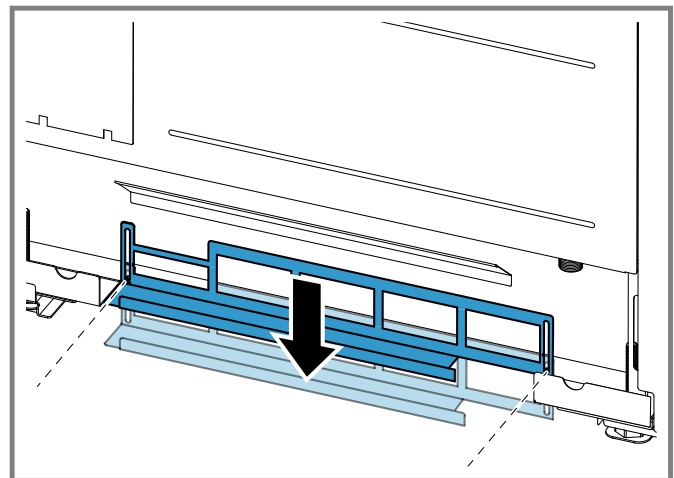
3. Before placing the appliance in its final location, ensure there is enough slack to allow the cord to reach the power outlet, approximately 28" – 30" (711 – 762 mm).



**Note:** Plug styles may vary.

**Setting the power cord guard - 36" and 48" Pro Grand® models**

1. At the base of the range, loosen the two (2) T-20 starhead screws securing the power cord guard.
2. Slide the power cord guard down, as shown below, and re-secure the screws. This will further prevent the power cord from entering the area under the base of the range.



## 7 Electrical requirements and connection for DUAL FUEL and INDUCTION models

The ranges are to be connected to a 240/208 VAC power supply.

### ⚠ WARNING

An improper 240/208 VAC power supply will cause malfunction, damage to this appliance, and possibly create a condition of shock hazard.

If the correct power supply circuit is not provided, it is the responsibility and obligation of the installer and user to have a proper power supply connected.

- ▶ This must be accomplished by a qualified electrician in accordance with all applicable local codes and ordinances. It is the responsibility of the installer to ensure compliance of local codes. In the absence of local codes and ordinances, the power supply connection shall be in accordance with the National Electrical Code.

This appliance must be properly grounded.

Before installing, turn power OFF at the service panel.

- ▶ Lock service panel to prevent power from being turned ON accidentally.

### ⚠ WARNING

Always disconnect appliance from the electric supply either by disconnecting power cord or shutting off the breaker at the service panel before servicing the appliance.

- Electrical installations and grounding must be in accordance with all local codes and ordinances, and/or the National Electrical Code, as applicable.
- A neutral supply wire must be provided from the power source (breaker) because critical range components require it to operate safely and properly.

### Required dedicated circuit

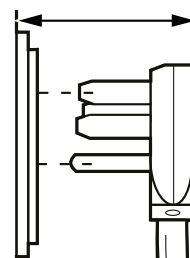
Models	Voltage	US	Canada	Frequency	Phase
All double oven and induction ranges	240/208	50 AMP	50 AMP	60 Hz.	Single
All single oven non-induction ranges except PRD364WIGx	240/208	30 AMP	40 AMP	60 Hz.	Single
PRD364WIGx	240/208	40 AMP	40 AMP	60 Hz.	Single

### 7.1 Preparation for power connection

#### ⚠ WARNING

Risk of Electric Shock or Fire. Grounding through the neutral conductor is prohibited for new branch-circuit installations (1996 NEC), mobile homes, and recreational vehicles, or in an area where local codes prohibit grounding through the neutral conductor.

- Mount the receptacle securely to a wall stud, then seal around the receptacle's housing.
- Observe all governing codes and ordinances when grounding. In the absence of these codes or ordinances observe National Electrical Code ANSI/ NFPA 70 current issue. See the following information in this section for grounding method.
- Electrical wiring diagrams and schematics have been placed in the toe kick panel area of the range for access by a qualified service technician. → *Page 21*
- Dual Fuel models must be connected to the power supply utilizing one of the described methods. For all methods of connection, the length of the cord or conduit/wiring must allow the appliance to be slid completely out of the cabinet without having to unplug or disconnect the appliance from the power supply.
- The recommended minimum free length of cord or conduit is 4 ft (1.2 m).
- When using a receptacle it may be necessary to recess the receptacle's housing into the rear wall. Refer to Local Electrical Code to determine the minimum volume for all electrical / junction boxes. Follow all local electrical codes and ordinances, and/or the National Electrical Code, as applicable.



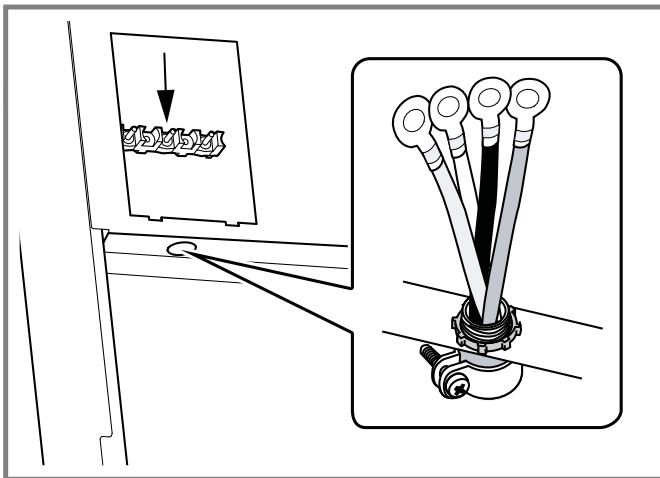
2" (51)

( ) = mm

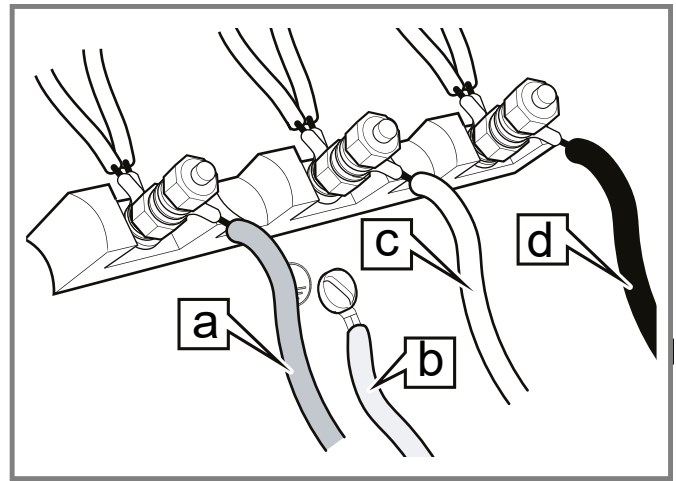
## 7.2 Installing a four-wire connection

### Requirements

- This appliance must be connected to a dedicated circuit (see required dedicated circuit). → *Page 19*
  - This appliance must be connected to the power supply with a listed (UL, CSA, ...) 3-POLE, 4-CONDUCTOR cord kit rated 250 VOLTS, 50 AMPERES and marked for use with ranges.
  - It is the responsibility of the installer to provide the proper wiring components (cord, wires, etc.) and complete the electrical connection as dictated by local codes and ordinances, and/or the National Electrical Code.
  - The cord kit is required to be attached to the range terminal block with a strain relief which will fit a 1" (25.4 mm) diameter hole.
  - If not already equipped, the cord must also have ¼" (6 mm) faston closed-loop lugs attached to the free ends of the individual conductors.
1. Disconnect the electrical power at the breaker box.
  2. Locate the terminal block on the rear of the appliance and remove the cover.
  3. Remove the upper nuts only from the terminal block studs. DO NOT remove the lower nuts which secure the range's internal wiring leads.
  4. If applicable, remove the 4-wire power cord from the appliance.
  5. Mount the strain relief into the 1" (25.4 mm) diameter hole in the back panel located below the terminal block. Route the wires up through the strain relief.



6. Remove the green ground screw and serrated washer located beneath the terminal block.
7. Secure the neutral, white wire of the supply circuit to the center stud of the terminal block with a nut.
8. Secure the L2 (red) and L1 (black) power leads to the outside terminal studs (brass colored) with nuts.
9. Secure the green ground lead to the range chassis using the green ground screw and serrated washer. Be sure that neutral and ground terminals do not touch.



a	Red / L2
b	Green / ground
c	White / neutral
d	Black / L1

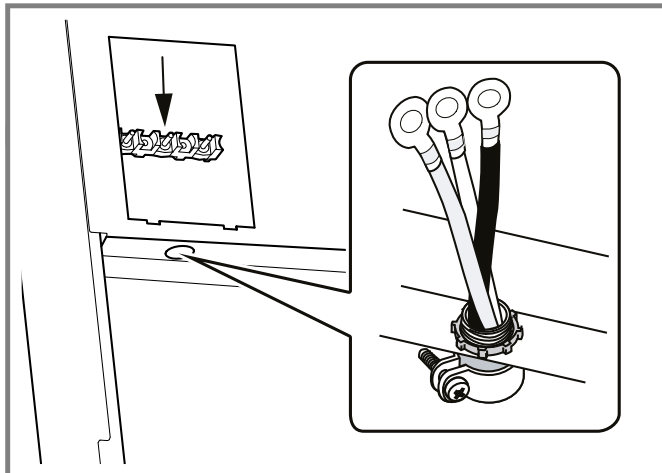
11. Tighten all connections and nuts securely, including the bottom nuts.
12. Reinstall the terminal block cover.

## 7.3 Installing a three-wire connection

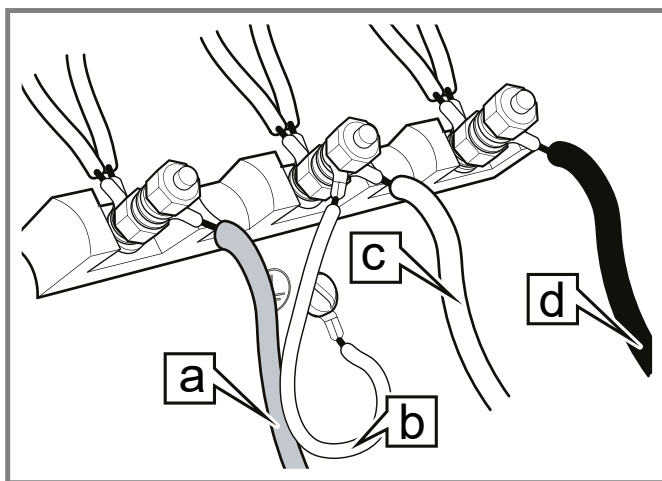
### Requirements

- This appliance must be connected to a dedicated circuit (see required dedicated circuit). → *Page 19*
  - Where local codes and ordinances permit grounding through neutral, and conversion of supply to 4-wire is impractical, the appliance may be connected to the power supply with a listed (UL, CSA, ...) 3-POLE, 3-CONDUCTOR cord kit rated 250 VOLTS, 50 AMPERES, and marked for use with ranges.
  - It is the responsibility of the installer to provide the proper wiring components (cord, wires, etc.) and complete the electrical connection as dictated by local codes and ordinances, and/or the National Electrical Code.
  - The cord kit is required to be attached to the range terminal block with a strain relief which will fit a 1" (25.4 mm) diameter hole.
  - If not already equipped, the cord must also have ¼" (6 mm) faston closed-loop lugs attached to the free ends of the individual conductors.
1. Disconnect the electrical power at the breaker box.
  2. Locate the small bag with white jumper wire located in the literature packet.
  3. Locate the terminal block on the rear of the appliance and remove the cover.
  4. Remove the upper nuts only from the terminal block studs. DO NOT remove the lower nuts which secure the range's internal wiring leads.
  5. If applicable, remove the 4-wire power cord from the appliance.

6. Mount the strain relief into the 1" (25.4 mm) diameter hole in the back panel located below the terminal block. Route the wires up through the strain relief.



7. Secure the neutral, grounded wire of the supply circuit, to the center stud (silver colored) of the terminal block.
8. Secure the L2 (red) and L1 (black) power leads to the outside terminal studs (brass colored) with nuts.
9. Remove the green ground screw and serrated washer located beneath the terminal block. Screw one end of the included white jumper wire to the chassis beneath the terminal block with the green ground screw. Secure the other end of the wire to the center stud of the terminal block with a nut.

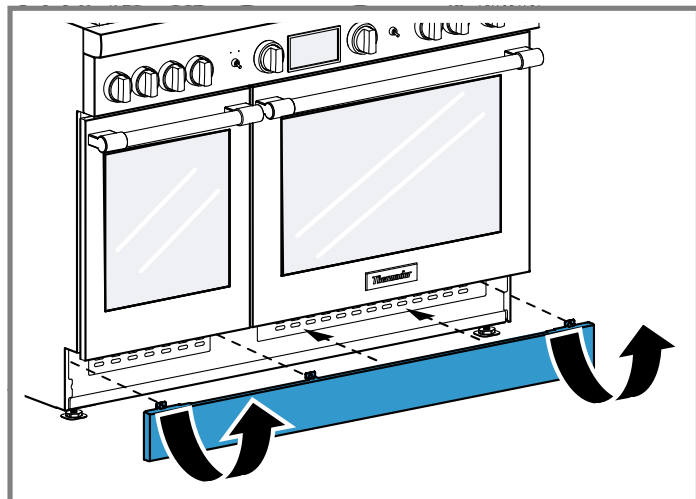


- |   |   |
|---|---|
| a | Red / L2  |
| b | Ground link white jumper wire provided in small bag |
| c | White / neutral                                     |
| d | Black / L1  |

10. Tighten all connections and nuts securely, including the bottom nuts.
11. Reinstall the terminal block cover.

## 7.4 Electric wiring diagrams and schematics

The electric wiring diagrams and schematics are attached behind the toe kick panel, and should not be removed except by a service technician, then replaced after service.



## 8 Installation procedure

### 8.1 Installing the low backguard (purchased separately)

Installation methods will vary upon need. Before you begin read these instructions carefully. Observe all local codes and ordinances.

#### ⚠ WARNING

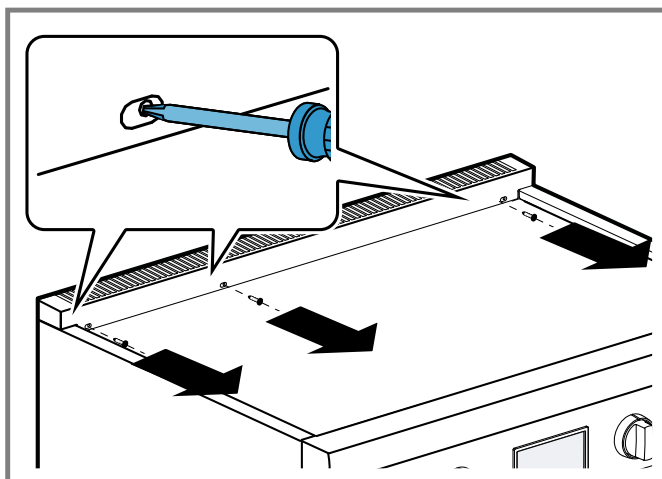
Fingers or hands could get pinched when installing the backguard. Severe injury could result.

- ▶ Use extreme caution and wear thick protective gloves to avoid potential laceration to finger or hand while sliding the backguard down onto the range.

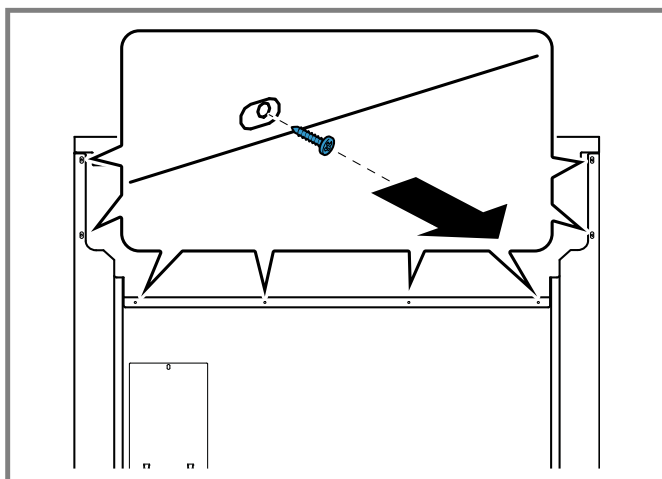
#### ⚠ WARNING

To reduce the risk of fire or injury to persons, check to make sure all packaging has been removed from accessory devices before use.

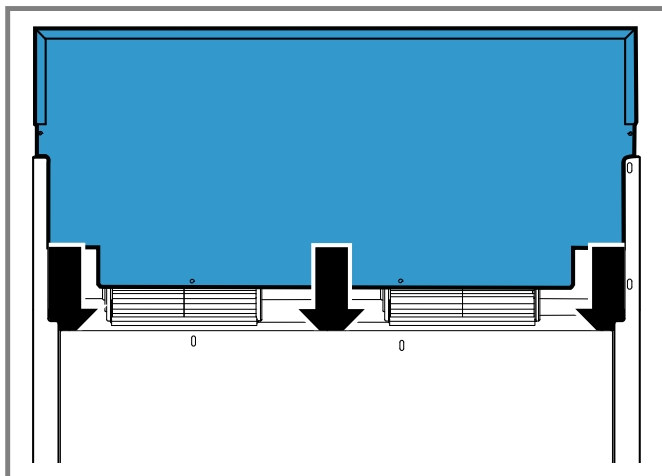
1. Remove the T-20 star-head screws in the front face of the included island trim.



2. Remove the T-20 star-head screws securing the trim to the side panels, and the T-20 star-head screws securing the piece to the back panel. Lift up to fully remove.

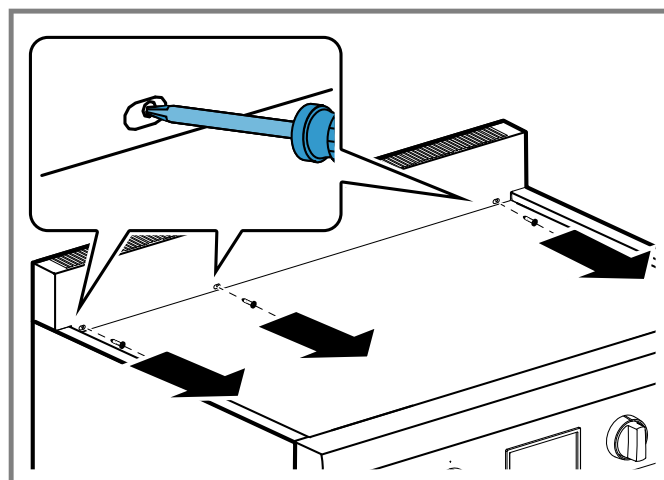


3. Align the back panel of the new accessory with the flanges on the range side panel's right and left rear corners. The backguard is inserted inside the guide channels on the back of the range.



4. Make sure the backguard's front face is outside the flange on the front side of the range.

5. Re-install screws removed previously.



## 8.2 Placing the range

### ⚠ CAUTION

Unit is heavy and requires at least two persons or proper equipment to move.

It is recommended to wear protective clothing during the lifting process.

- ▶ Wear gloves and long sleeves to protect hands and forearms from abrasion and potential scratches.
- ▶ Take off watches and jewelry.
- ▶ Wear work shoes for foot protection.

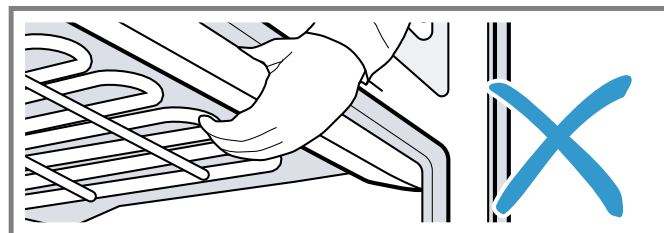
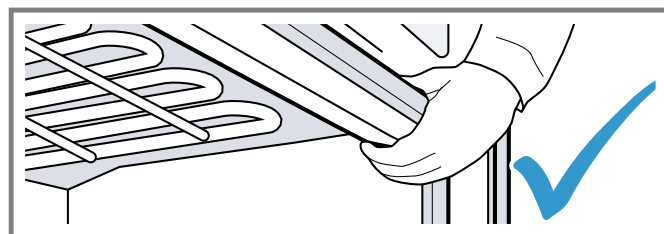
### NOTICE:

To avoid risk of damage to the range oven door, do not lift, push, or pull the range by holding the door handle.

**Requirement:** You have removed the oven door.

1. ⚠ **CAUTION DO NOT** attempt to lift the unit by holding the oven's upper heating element.

Lift the range off of the packaging base. Reach inside the top of the oven cavity to locate a ridged area near the front of the oven.



2. Make sure that the circuit breaker is off and then plug the range cord into the electrical outlet.
3. Protect the floor and cabinetry.

4. Slide the range into the opening. Be careful not to damage countertops, floors, or warming drawer front. Do not apply pressure to the cooktop when sliding the range into position.
5. Install the oven door.
6. Check proper installation.

### 8.3 Adjusting the leveling legs

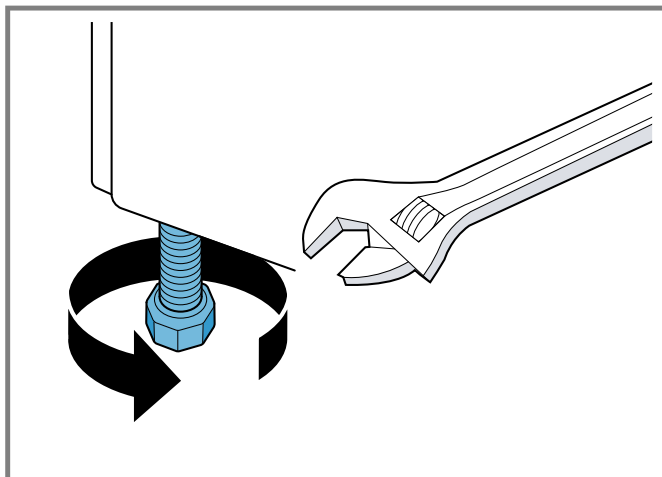
For proper performance, the range must be level. Priority should be placed on ensuring that the oven cavity is also level for optimum cooking performance.

#### NOTICE:

The top edges of the range's side panels must be on the same or higher level as the adjacent countertop.

- ▶ DO NOT operate the range if sides are lower than the adjacent cabinet. If the range is operated while at a lower height relative to the adjacent cabinet, the cabinet could be exposed to excessive temperatures, causing damage to the cabinet and countertop.

1. Remove plastic protective coating from the side walls.
2. Line up the range in front of the opening.
3. Measure the countertop heights first with a tape measure and add an additional 1/16" - 1/8" (2-3 mm).
4. Rotate the legs using a 12" (305 mm) adjustable wrench on the flat sides of each foot.



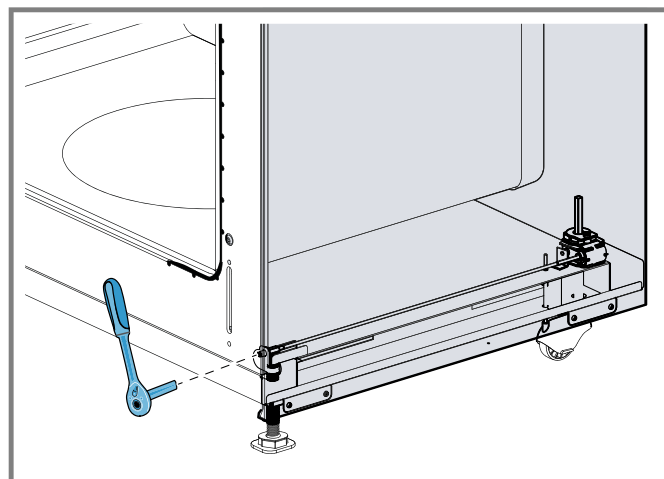
5. Leveling legs should be adjusted so that the range sides are at the same or higher level as the adjacent cabinet. Adjust the legs accordingly prior to pushing the range back to its final location.

It may be necessary to reposition the electrical cord as the range is pushed back to its final position. This may be accomplished by carefully pulling on a rope or twine looped around the electrical supply line as the range is pushed back into its final installed position.

6. As the range is moved into its final, installed position, verify that the anti-tip bracket is in a position to engage the range.
  - Look under the range to verify that both back legs are resting solidly on the floor.
  - Verify that one range leg is retained by the anti-tip bracket.

### Leveling leg adjustment for 60" models

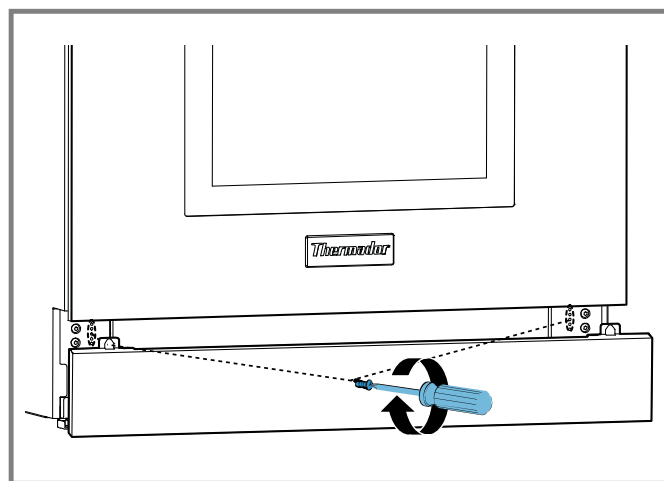
1. Height adjustments of the two rear caster legs are made by turning the 5/16" socket located behind the front frame.



- Rotation direction will vary depending on which side of the appliance is being adjusted.
  - The oven doors must be removed in order to access the leveling socket for the rear wheels (see "Door removal and adjustment"). On models with a warming drawer, the socket for the left caster may be accessed by pulling the warming drawer open.
2. With the range in the installed position, the final height adjustments are made to the two front legs to ensure proper alignment to the counter top.
  3. Lower the center leveling foot of the unit to help support the appliance weight.

### 8.4 Adjusting the toe kick panel - Pro Harmony® models

1. Remove the toe kick panel screws using a T-20 star-head screwdriver.
2. Relocate the toe kick panel at one of the five screw hole positions. Reinstall the star-head screw.

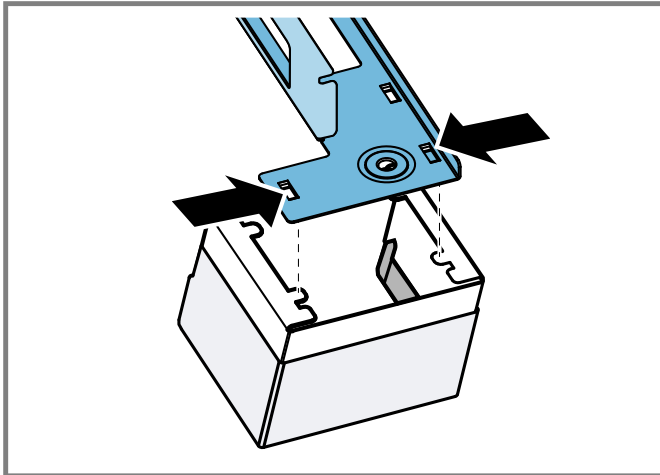


3. Repeat with the remaining toe kick panel screws, assuring the toe kick panel is level.

The toe kick panel should maintain a minimum ½" (12.7 mm) clearance above the floor.

### 8.5 Installing the leg covers - Pro Grand® models

1. Remove plastic coverings from the stainless steel covers.
2. Beneath the range, wrap the leg cover assembly around the leg. Insert the leg cover tabs into the tab slots, as shown.

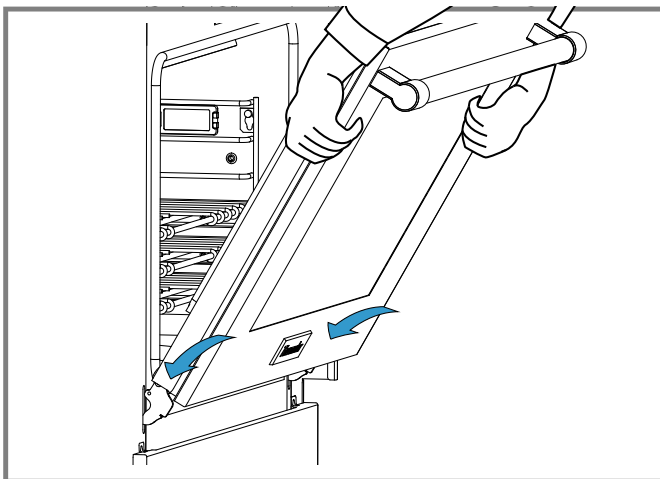


3. Repeat for all visible legs.

**Tip:** If additional leg covers are required, you can order them from Customer Service by calling 1-800-735-4328 at no charge for up to one year after purchase date of the appliance.

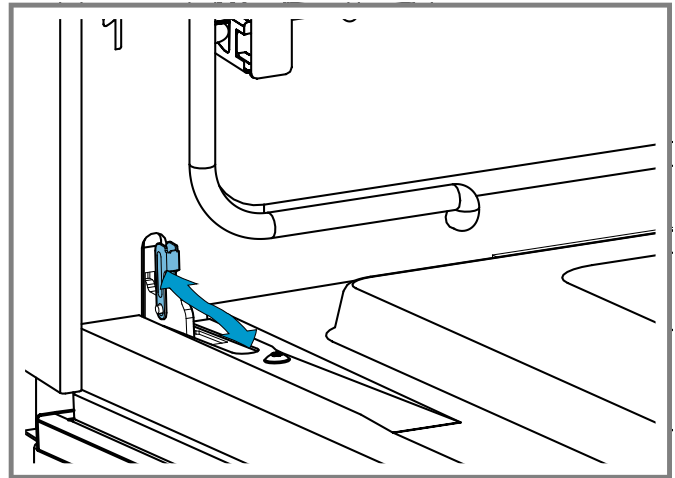
### 8.6 Reinstalling the oven door

1. Hold the door firmly in both hands.
2. Hold the door at a 30° angle from the closed position. Insert hinges centered evenly into the hinge slots. The hinges will securely hook into the slots when properly installed. **DO NOT** force, bend or twist the door.



3. Open door fully to expose hinges, levers, and slots.

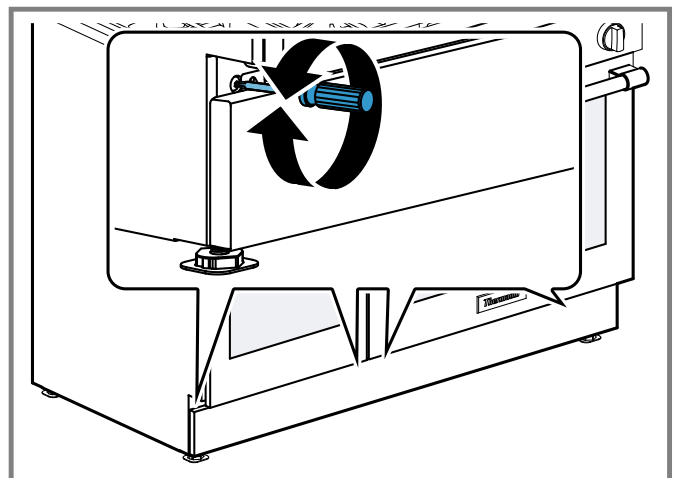
4. Flip the hinge until seated on the bracket. A screwdriver may be required to carefully push the clip.



5. Close and open the door slowly to ensure it is correctly and securely in place.

### Checking door fit and adjustment

1. Open and close the door slowly to test the movement and the fit of the door to the oven cavity. **DO NOT** force the door to open or close. If the door is properly installed, it should move smoothly and rest straight on the front of the range when closed.
2. The range must be level for proper alignment of the oven doors. Refer to the section on adjusting the leveling legs.
3. Verify that the hinges are properly seated into the hinge slots, and that the hinge clips are fully engaged into the slots.
4. If door or handle appears slightly tilted:
  - Rotate the large star-head screw located directly above the hinge receiver with a T-30 star-head driver. Rotate each screw respective to its side and direction the door needs to be adjusted.



**Note:** The steam oven door is not adjustable

## 8.7 Burner cap placement

The burner caps must be properly placed for the cooktop to function properly.

If the burner cap is not properly placed, one or more of the following may occur:

- Burner flames are too high
- Flames shoot out of the burners
- Stainless steel discolorations
- Burners do not ignite
- Burner flames light unevenly
- Burner emits gas odor

### **⚠ WARNING**

To prevent flare-ups do not use the cooktop without all burner caps and all burner grates properly positioned.

### **⚠ CAUTION**

To prevent burns, do not touch burner caps or grates while hot.

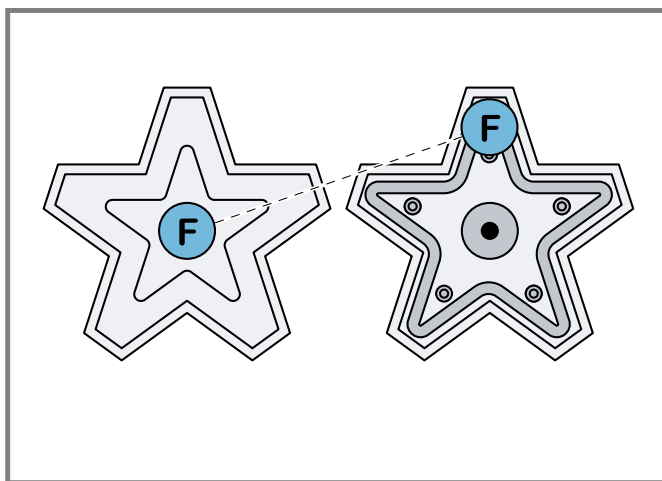
- ▶ Turn the cooktop off and allow the burners to cool.

Your rangetop has sealed Star® burners. There are no burner parts under the rangetop to clean, disassemble or adjust.

### Placing the burner caps

Each cap has a letter (B, D, or F) cast in the underside of the cap that corresponds to a letter (B, D, or F) cast in the burner base that is attached to the appliance.

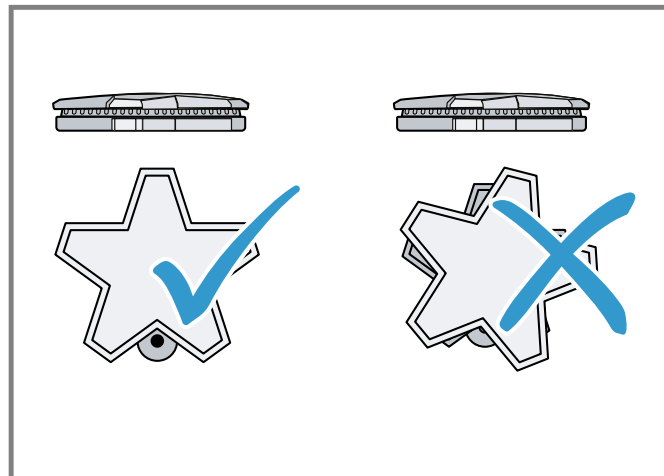
1. Place each burner cap on its correct burner base per its corresponding letter designation.



2. Place the burner cap gently on top of base so that the prongs of the burner base fit snugly into the groove of the burner cap.

3. Check each burner to make sure there is no gap between the burner cap and burner base.

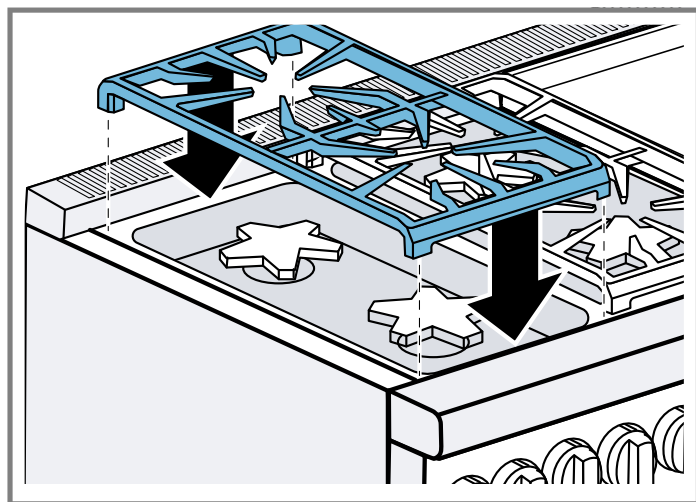
- Gently try to move the burner caps from side to side to check if the caps are properly placed on the burner bases.
- When properly placed, each burner cap rests flat on top of its burner base, and completely covers the star-shape of the burner base when viewed from the top.



## 8.8 Placing the burner grates

For proper combustion do not use the rangetop without the burner grates in place.

1. Place the burner grates flat-side down and align them into the rangetop recess.
2. The burner grates should rest flush against each other and against the sides of the recess.



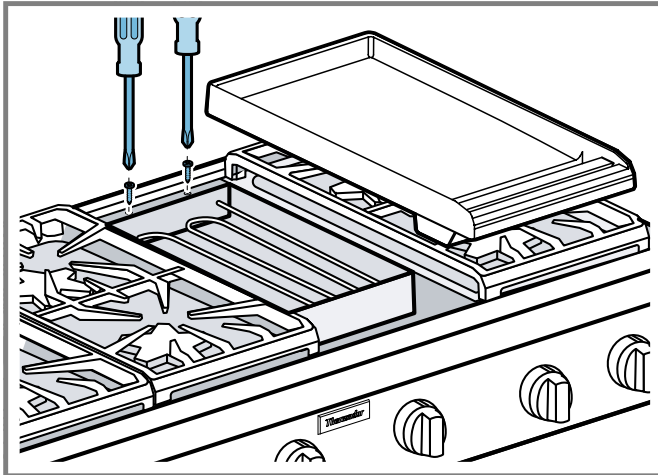
## 8.9 Preparing the electric griddle

### **⚠ WARNING**

To avoid risk of injury, never operate the griddle without the griddle plate installed.

1. Check the griddle plate adjustment by pouring two tablespoons of water on the back of the griddle plate.

2. If the water does not flow to the front of the griddle, the griddle plate needs to be adjusted.
  - Lift off the griddle plate.
  - Adjust the two screws under the back of the griddle plate. Start with one half turn counterclockwise of the screws.
  - Replace the griddle plate and check the result.
  - For further adjustment apply one-quarter turn until the water slowly flows into the grease tray.



## 9 Testing the operation

Check if your unit is working properly after you have completed the installation steps.

### **⚠ WARNING**

Before you plug in an electrical cord, be sure all controls are in the OFF position.

1. Turn on power at the breaker.
  - ✓ The basic settings open automatically.
2. Select a setting with the left < or >.
3. Change the desired option with the right < or >.
4. Press **ENTER** to confirm the selection or **SETTINGS** to discard the changes.
  - ✓ The display changes to standby mode.
5. To test the oven select the **BAKE** mode. See the User Manual for detailed operating instructions.
6. Verify that the oven light comes on and the oven begins to preheat.

### 9.2 Flame characteristics

The color of the flame tells you if the gas supply is properly adjusted.

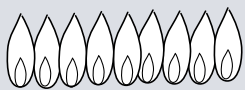
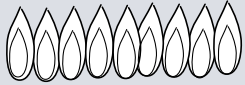
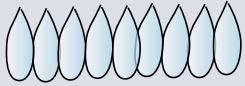
**Note:** Allow the appliance to operate for 4 to 5 minutes before evaluating the flame. Some yellow streaking is normal during the initial startup.

7. To test the door lock set the **SELF CLEAN** mode. Confirm that the door locks when the lock icon appears in the display.

### 9.1 Testing the rangetop burners

Each burner must be tested for proper lighting and proper flame characteristics on the lowest and highest power level.

1. Test all rangetop burners for proper ignition.
  - Push down the knob and turn it counter-clockwise to the ignition symbol  $\text{⚡}$ .
  - Verify that the igniter/spark module clicks.
  - Once the air has been purged from the supply lines, verify that the burner lights within four (4) seconds. When the burner lights, turn the knob back to the off position.
  - If any of the burners do not ignite, do not continue testing. Call Customer Service.
2. Test all rangetop burners for flame characteristics on the lowest setting.
  - Push down the knob and turn it counter-clockwise to the ignition symbol  $\text{⚡}$ . Keep it pushed down until the burner ignites.
  - Turn the knob quickly to the lowest setting.
  - Verify that the flame is a minimum height of approximately  $\frac{1}{4}$ " (6 mm).
  - Verify that the flame is steady. The flame should not go out, lift or blow off of the burner. It should carry over, or surround the entire burner.
  - Verify that the flame is the right color.
    - "Flame characteristics", Page 26
  - If the flame goes out, does not carry over properly or is too large, contact Customer Service.
3. Test all rangetop burners for flame characteristics on the highest setting.
  - Push down the knob and turn it counter-clockwise to the ignition symbol  $\text{⚡}$ . Keep it pushed down until the burner ignites.
  - Turn the knob to the highest setting.
  - Verify that the flame is steady. The flame should not go out, lift or blow off of the burner. It should carry over, or surround the entire burner.
  - Verify that the flame is the right color.
    - "Flame characteristics", Page 26
  - If the flame burns yellow or does not carry over properly, contact Customer Service.

Flame	Image	Measure
Completely or mostly yellow		Verify that the regulator is set for the correct fuel. Retest after adjustment.
Yellow tips on outer cone		Normal for LP gas
Soft blue		Normal for natural gas

## 10 Installer checklist

Final check.

- Specified clearances maintained to cabinet surfaces.
- Unit level – front to back – side to side.
- Burner caps positioned properly on burner bases.
- All packaging material removed.
- Kick panel in place and screws secure.
- Verify flame at each burner. Flame may need to burn for several minutes to remove impurities from the gas lines.
- Verify that the ExtraLow® feature works and relights around the entire burner.
- INSTALLER:** Leave the Home Connect® instruction leaflet with the owner of the appliance. In order to utilize the full feature potential of the appliance, the owner should download the Home Connect® (America) app on their smart device and pair the appliance to the home's Wi-Fi device. (Does not apply to 30" Range models.)

### Gas supply

- Gas Connection: 3/4" (19 mm) N.P.T. with a min. 3/4" (19 mm) diameter flex line.
- The appliance is connected only to the type of gas for which it is certified for use.
- Manual gas shut off valve installed in an accessible location (without requiring removal of range).
- Owner is aware of location of the gas shut-off valve.
- Unit tested and free of gas leaks.
- If used on propane gas, verify that the propane gas supply is equipped with its own high pressure regulator in addition to the pressure regulator supplied with the appliance.
- Gas supply pressure does not exceed 14" W.C. (34.9 mbar).

- Refer to the Use and Care Guide for information about cleaning and protect exterior surfaces.

### Electrical

- Receptacle with correct over-current protection is provided for service cord connection.
- Proper ground connection.
- Owner is aware of location of the main circuit breaker.

### Operation

- Bezels centered on burner knobs, and knobs turn freely.
- Each burner lights satisfactorily, both individually and with other burners operating.
- Oven door hinges seated and hinge locks in proper position. Oven handle and door is level and centered. Door opens and closes properly.
- Burner grates correctly positioned, level, and do not rock.
- INSTALLER:** Write the model number and serial number in the Use and Care Guide. Leave the Use and Care Guide and Installation Guide with the owner of the appliance.

### Troubleshooting

See the Use and Care Guide for troubleshooting information.

## 11 Customer Service

With any warranty repair, we will make sure your appliance is repaired by an authorized service provider using genuine replacement parts. We use only genuine replacement parts for all repairs. Detailed information on the warranty period and terms of warranty can be found in the Statement of Limited Product Warranty, from your retailer, or on our website. If you contact Customer Service, you will need the model number (E-Nr.) and the production number (FD) of your appliance.  
USA:

1-800-735-4328

[www.thermador.com/support](http://www.thermador.com/support)

[www.thermador.com/us/accessories](http://www.thermador.com/us/accessories)

CA:

1-800-735-4328

[www.thermador.ca](http://www.thermador.ca)

[www.thermador.ca/en/support/filters-cleaners-accessories](http://www.thermador.ca/en/support/filters-cleaners-accessories)

For assistance with connecting to Home Connect®, you can also view instructions here:

[www.home-connect.com/us/en/help-support/set-up](http://www.home-connect.com/us/en/help-support/set-up)

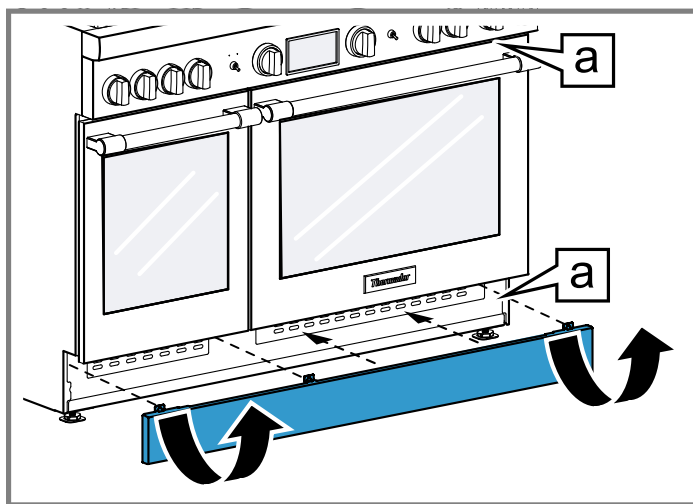
## 11.1 Model number (E-Nr.) and production number (FD)

You can find the model number (E-Nr.) and the production number (FD) on the appliance's rating plate.

Making a note of your appliance's details and the Customer Service telephone number will enable you to find them again quickly.

## 11.2 Rating plate location

Depending on your model, the rating plates are located above the main oven or behind the kick plate.



**a** Rating plate

## Table des matières

<b>1 IMPORTANTES CONSIGNES DE SÉCURITÉ .....</b>	<b>30</b>	<b>9 Opération d'essai .....</b>	<b>56</b>
1.1 Définitions des termes de sécurité .....	31	9.1 Test des brûleurs de cuisinière .....	56
1.2 Consignes générales de sécurité .....	31	9.2 Caractéristiques de la flamme .....	56
1.3 Manipulation sécuritaire des appareils .....	32	<b>10 Liste de contrôle de l'installateur.....</b>	<b>57</b>
1.4 Sécurité électrique .....	32	<b>11 Service à la clientèle .....</b>	<b>58</b>
1.5 Sécurité des gaz .....	33	11.1 Numéro de modèle (E-Nr.) et numéro de	
1.6 Codes et normes de sécurité .....	34	fabrication (FD) .....	58
1.7 Recommandations de ventilation .....	34	11.2 Emplacement de la plaque signalétique .....	58
1.8 EXIGENCES DE DÉGAGEMENT ARRIÈRE .....	34		
1.9 Mises en garde conformément à la proposition 65			
de l'État de Californie .....	35		
<b>2 Avant de commencer.....</b>	<b>36</b>		
2.1 Pièces incluses .....	36		
2.2 Outils et pièces nécessaires.....	36		
2.3 Exigences d'alimentation et mise à la terre .....	36		
2.4 Exigences concernant la ventilation .....	36		
<b>3 Exigences d'installation .....</b>	<b>37</b>		
3.1 Exigences concernant l'emplacement .....	37		
3.2 Besoins en gaz et en électricité.....	40		
<b>4 Avant l'installation .....</b>	<b>41</b>		
4.1 Montage de la console anti-basculement .....	41		
4.2 Déballage et déplacement de l'appareil.....	42		
4.3 Retrait de la porte du four.....	43		
4.4 Retrait du tiroir chauffant.....	44		
<b>5 Besoins en gaz et raccordements .....</b>	<b>44</b>		
5.1 Installation à haute altitude.....	44		
5.2 Exigences en matière de gaz .....	44		
5.3 Raccordement de l'alimentation en gaz.....	45		
<b>6 Exigences électriques et connexion pour les</b>			
<b>    modèles GAZ.....</b>	<b>45</b>		
6.1 Exigences du circuit d'alimentation électrique .....	46		
<b>7 Exigences électriques et connexion pour les</b>			
<b>    modèles BI-CARBURANT et INDUCTION.....</b>	<b>48</b>		
7.1 Préparation à la connexion électrique .....	48		
7.2 Installation d'une connexion à quatre fils.....	49		
7.3 Installation d'une connexion à trois fils .....	49		
7.4 Diagrammes et schémas de câblage électrique .....	50		
<b>8 Procédure d'installation .....</b>	<b>50</b>		
8.1 Installation du dossieret bas (acheté séparément) ...	50		
8.2 Placer la cuisinière .....	51		
8.3 Réglage des pieds de nivellement.....	52		
8.4 Réglage du panneau de la bordure inférieure de			
protection - modèles Pro Harmony® .....	53		
8.5 Installation des couvre-pieds - modèles Pro			
Grand® .....	53		
8.6 Réinstallation de la porte du four.....	53		
8.7 Placement du chapeau du brûleur.....	54		
8.8 Placer les grilles de brûleur .....	55		
8.9 Préparation de la plaque électrique.....	55		



# IMPORTANTES CONSIGNES DE SÉCURITÉ

## LIRE ET CONSERVER CES INSTRUCTIONS

Lisez toutes les instructions attentivement avant l'utilisation. Ces précautions réduiront le risque d'électrocution, d'incendie et de blessure pour les personnes utilisant l'appareil. Lorsque vous utilisez des appareils électroménagers, il importe de suivre les précautions de sécurité de base, y compris celles indiquées dans les pages suivantes.

**⚠ AVERTISSEMENT : Si les directives ne sont pas suivies à la lettre, il y a un risque d'incendie ou d'explosion pouvant entraîner des dommages matériels, des blessures ou un décès.**

- Ne pas conserver ou utiliser de l'essence ou d'autres liquides ou vapeurs inflammables à proximité de cet appareil ou de tout autre appareil.
- **QUE FAIRE SI VOUS PERCEVEZ UNE ODEUR DE GAZ**
  - Ne pas essayer de mettre un appareil sous tension.
  - Ne pas toucher d'interrupteur de courant électrique.
  - Ne pas utiliser de téléphones dans l'édifice.
  - Communiquer immédiatement avec le fournisseur de gaz depuis l'appareil téléphonique d'un voisin. Respecter les directives du fournisseur de gaz.
  - S'il s'avère impossible de joindre le fournisseur de gaz, communiquer avec les pompiers.
- Utiliser les services d'un installateur ou d'une agence de services qualifiés ou le fournisseur de gaz pour procéder à l'installation et aux réparations.

### **⚠ AVERTISSEMENT :**

Ne jamais faire fonctionner la surface de la table de cuisson de cet appareil sans surveillance.

- Le non-respect de cet avertissement pourrait entraîner un risque d'incendie, d'explosion ou de brûlure qui pourrait provoquer des dommages matériels, des blessures ou un décès.
- En cas d'incendie, se tenir à l'écart de l'appareil et appeler immédiatement les pompiers.

**NE PAS ESSAYER D'ÉTEINDRE UN INCENDIE DE GRAISSE OU D'HUILE AVEC DE L'EAU.**



# IMPORTANTES CONSIGNES DE SÉCURITÉ

## LIRE ET CONSERVER CES INSTRUCTIONS

### 1.1 Définitions des termes de sécurité

Vous trouverez ici des explications sur les mots de signalisation de sécurité utilisés dans ce manuel.

#### **⚠ AVERTISSEMENT**

Signale un risque de mort ou de blessure grave si l'avertissement n'est pas respecté.

#### **⚠ MISE EN GARDE**

Signale un risque de blessures mineures ou modérées si l'avertissement n'est pas respecté.

#### **AVIS :**

Ceci indique que la non-conformité à cet avis de sécurité peut entraîner des dégâts matériels ou endommager l'appareil.

**Remarque :** Ceci vous signale des informations et/ou indications importantes.

### 1.2 Consignes générales de sécurité

Tous les manuels des produits peuvent être téléchargés en ligne à l'adresse [www.thermador.ca/fr/soutien/manuels-du-propretaire](http://www.thermador.ca/fr/soutien/manuels-du-propretaire).

**IMPORTANT :** L'APPAREIL DOIT ÊTRE INSTALLÉ PAR UN INSTALLATEUR QUALIFIÉ.

**IMPORTANT :** CONSERVEZ CES INSTRUCTIONS POUR L'UTILISATION DE L'INSPECTEUR ÉLECTRIQUE LOCAL.

**INSTALLATEUR :** PRIÈRE DE LAISSER CES INSTRUCTIONS D'INSTALLATION AVEC CET APPAREIL À L'INTENTION DU PROPRIÉTAIRE.

**PROPRIÉTAIRE :** Prière de conserver ces instructions pour référence ultérieure. Lisez toutes les consignes de sécurité avant d'utiliser l'appareil. Demandez à l'installateur de vous montrer où se trouvent le disjoncteur électrique et le robinet d'arrêt de l'alimentation en gaz afin que vous sachiez comment et où couper le gaz et l'électricité de l'appareil.

Examinez l'appareil après l'avoir déballé. En cas de dommage en cours de transport, ne branchez pas l'appareil.

#### **AVERTISSEMENT**

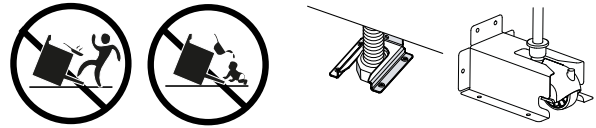
Si les consignes du présent manuel ne sont pas suivies à la lettre, il y a un risque d'incendie ou d'électrocution pouvant entraîner des dommages matériels ou des blessures.

Ne pas réparer, remplacer ni retirer toute pièce de l'électroménager à moins que cela ne soit spécifiquement recommandé par les manuels. L'installation, les réparations ou l'entretien inadéquats pourraient causer des blessures ou des dégâts matériels.

- ▶ Consulter ce manuel pour les directives d'utilisation.
- ▶ Toutes les autres réparations doivent être effectuées par un prestataire de services agréé.

#### **AVERTISSEMENT**

#### **DANGER DE BASCULEMENT SUR LES CUISINIÈRES**



- ▶ Toutes les cuisinières peuvent basculer et entraîner des blessures. Pour éviter tout basculement accidentel de la cuisinière, fixez-la au sol, au mur ou à l'armoire en installant le support anti-basculement fourni.
- ▶ Un enfant ou un adulte peut faire basculer la cuisinière et être tué ou gravement blessé. Vérifiez que le support antibasculement est correctement installé. Assurez-vous que le support anti-basculement est engagé lorsque la cuisinière est déplacée.
- ▶ **NE PAS** faire fonctionner la cuisinière si le support antibasculement n'est pas en place. Non-respect des instructions de ce manuel peut entraîner la mort ou des brûlures graves pour les enfants et les adultes.
- ▶ Si la cuisinière est déplacée pour le nettoyage, l'entretien ou toute autre raison, assurez-vous que le support anti-basculement est correctement ré-engagé lorsque la cuisinière est remise en place. En cas d'utilisation anormale (telle qu'une personne debout, assise ou appuyée sur une porte ouverte), le non-respect de cette précaution peut entraîner le basculement de la cuisinière. Des blessures peuvent résulter du déversement de liquides chauds ou de la cuisinière elle-même.
- ▶ Vérifiez que le support anti-basculement est correctement installé et utilisé. Inclinez délicatement la cuisinière vers l'avant de l'arrière pour s'assurer que le support anti-basculement s'engage dans la patte de la cuisinière et empêche le renversement. La cuisinière ne doit pas se déplacer de plus de 1 po (2,5 cm). Couper l'alimentation électrique et de gaz avant toute réparation.



# IMPORTANTES CONSIGNES DE SÉCURITÉ

## LIRE ET CONSERVER CES INSTRUCTIONS

Ne jamais modifier ni altérer la structure de l'appareil électroménager.

- ▶ Par exemple, ne retirez pas les pieds d'ajustement, les panneaux, les couvre-fils ou les vis ou supports anti-basculement.

L'appareil ne doit être utilisé que s'il est installé par un technicien qualifié conformément à ces instructions d'installation et à tous les règlements et codes. Le fabricant n'est pas responsable des dommages résultant d'une installation incorrecte ou du non-respect des codes et réglementations locaux appropriés.

Pour éliminer le risque de brûlure ou d'incendie lorsque vous vous étirez au-dessus des surfaces chauffantes de l'électroménager, il faut éviter d'installer des armoires de rangement au-dessus de la surface de l'électroménager.

- ▶ Si une armoire de rangement est installée, il est possible de réduire le risque en installant une hotte qui dépasse (horizontalement) d'au moins 5 po (127 mm) le bord du fond de l'armoire.
- ▶ Vérifier que la profondeur des armoires au-dessus de la table de cuisson est au maximum de 13 po (330 mm).

### AVERTISSEMENT

**NE PAS** installer cet appareil à l'extérieur.

### AVERTISSEMENT

Retirer tout le ruban adhésif et l'emballage avant d'utiliser l'électroménager.

- ▶ Éliminez l'emballage d'une manière respectueuse de l'environnement.
- ▶ Ne laissez jamais les enfants jouer avec le matériel d'emballage.
- ▶ Conservez les pièces de petite taille dans un endroit sûr, car elles peuvent être avalées facilement.

### AVERTISSEMENT


Pour éviter un possible risque de brûlure ou d'incendie, une protection arrière spécialement conçue pour l'appareil devrait être installée chaque fois que l'appareil est utilisé.

### MISE EN GARDE

Cet appareil est conçu comme un appareil de cuisson. Pour des raisons de sécurité, ne l'utilisez jamais pour réchauffer ou chauffer une pièce. Cela pourrait entraîner une intoxication au monoxyde de carbone et une surchauffe de l'appareil.

## 1.3 Manipulation sécuritaire des appareils

### AVERTISSEMENT

L'unité  est lourde et son déplacement exige au moins deux personnes ou encore un équipement approprié.

- ▶ Ne pas soulever l'appareil par la poignée de porte.
- ▶ Ne soulevez pas l'appareil par le panneau de commande du four.
- ▶ Retirez la porte pour une manipulation et une installation plus faciles. Voir les instructions dans ce manuel.

### AVERTISSEMENT



Certaines surfaces cachées peuvent avoir des rebords tranchants.

- ▶ Redoubler de vigilance quand vous passez la main derrière ou sous l'appareil électroménager.
- ▶ Portez des gants pour éviter de vous couper les doigts sur les rebords pointus au cours de l'installation.

## 1.4 Sécurité électrique

- **Installateur** - indiquez au propriétaire l'emplacement du disjoncteur ou du fusible. Identifiez sa position pour pouvoir le retrouver facilement.
- S'il y a lieu, conformément au Code national de l'électricité (ou au Code canadien de l'électricité), cet appareil doit être installé sur un circuit de dérivation séparé.
- L'appareil, une fois installé, doit être électriquement mis à la terre conformément aux codes locaux ou, en l'absence de codes locaux, au National Electrical Code, NFPA 70 dernière édition, ou au Canadian Electrical Code, CSA C22.1 dernière édition.
- Voir la fiche signalétique pour plus d'information.

### AVERTISSEMENT

Avant l'installation, couper l'alimentation au panneau de service.

- ▶ Verrouiller le panneau de service pour empêcher que l'alimentation ne soit rétablie par accident.



# IMPORTANTES CONSIGNES DE SÉCURITÉ

## LIRE ET CONSERVER CES INSTRUCTIONS

Pour les électroménagers dotés d'un cordon d'alimentation avec fiche, ne pas couper ni enlever la broche de mise à la terre.

- ▶ Pour éviter toute électrocution, brancher le cordon dans une prise de courant correspondante avec mise à la terre.
- ▶ En cas de doute concernant la mise à la terre appropriée de la prise murale, le client doit faire vérifier celle-ci par un électricien qualifié.

### AVERTISSEMENT



#### RISQUE D'ÉLECTROCUTION

- ▶ Débranchez l'alimentation avant l'installation ou l'entretien. Avant de rétablir l'alimentation, s'assurer que toutes les commandes sont à la position d'arrêt (OFF).
- ▶ NE PAS enlever de raccords.
- ▶ NE PAS utiliser de rallonge.
- ▶ Une mise à la terre inadéquate peut entraîner un risque d'électrocution.
- ▶ Tout manquement à ces directives peut entraîner la mort ou une électrocution, ou déclencher un incendie.

### INSTRUCTIONS DE MISE À LA TERRE

- ▶ Cet appareil doit être mis à la terre.
- ▶ La mise à la terre réduit le risque de choc électrique en fournissant une voie sûre pour le courant électrique en cas de court-circuit.
- ▶ Assurez-vous que l'appareil est correctement installé et mis à la terre par un technicien qualifié.
- ▶ L'installation, les raccordements électriques et la mise à la terre doivent être conformes avec tous les codes en vigueur.

N'utilisez pas de rallonge. Si le cordon d'alimentation est trop court, demandez à un électricien ou un technicien qualifié d'installer une prise à proximité de l'appareil. Avant de mettre sous tension la source d'alimentation, vérifiez que toutes les commandes sont à la position OFF (Arrêt).

## 1.5 Sécurité des gaz

Exigences pour l'alimentation en gaz :

- Vérifier le type de gaz fourni à cet endroit. S'assurer que l'appareil est bien raccordé au type de gaz pour lequel il est certifié.
- Installer un robinet d'arrêt près de l'électroménager. Il doit être facilement accessible en cas d'urgence.

- L'installateur doit procéder au test de fuites selon les consignes fournies dans le présent manuel.
- L'appareil et son propre robinet d'arrêt doivent être déconnectés de la canalisation du système d'alimentation en gaz au cours de test aux pressions qui dépassent ½ PSI (3,5 kPa).
- L'électroménager doit être isolé de la canalisation du système d'alimentation en gaz en fermant son propre robinet d'arrêt manuel pour tout test de pression à des pressions égales ou inférieures à ½ PSI (3,5 kPa).
- Une ligne de production métallique souple ou un tuyau métallique fixe doit être utilisé pour raccorder le gaz à l'appareil. Si une conduite de gaz en métal ne peut pas être utilisée, veuillez vous adresser à un électricien agréé local ou aux codes électriques locaux pour obtenir une mise à la terre appropriée.
- **Gaz naturel** — Colonne d'eau de 7 pouces. (17,4 mbar) min., 14 pouces (34,9 mbar) maximum.
- **Gaz propane** — Colonne d'eau de 11 pouces. (27,4 mbar) min., 14 pouces (34,9 mbar) maximum.

L'appareil peut être utilisé en toute sécurité en cas de panne de courant. Seuls les brûleurs normaux du haut peuvent être allumés manuellement.

Gardez toujours la zone de l'appareil à l'écart des matériaux combustibles, de l'essence et d'autres vapeurs et liquides inflammables.

### MISE EN GARDE

Lors du raccordement de l'appareil au gaz propane, assurez-vous que le réservoir de gaz propane est équipé de son propre régulateur de haute pression en plus du régulateur de pression fourni avec l'appareil. La pression de gaz maximale de cet appareil ne doit pas dépasser 14,0 po de colonne d'eau (34,9 mbar) entre le réservoir de gaz propane et le régulateur de pression.

**AVIS DE SÉCURITÉ IMPORTANT :** La combustion du combustible de cuisson au gaz génère certains sous-produits qui figurent sur la liste des substances reconnues par l'État de Californie comme cancérigènes ou pour la reproduction. Pour minimiser l'exposition à ces substances, faites toujours fonctionner cet appareil conformément aux instructions contenues dans ce livret et assurez une bonne ventilation.



# IMPORTANTES CONSIGNES DE SÉCURITÉ

## LIRE ET CONSERVER CES INSTRUCTIONS

### Installation au gaz propane

- Le réservoir de gaz propane doit être doté de son propre régulateur de pression élevée. De plus, le régulateur de pression livré avec cet appareil doit aussi être utilisé.
- L'électroménager est livré de l'usine prêt à utiliser avec du gaz naturel. Il doit être converti pour usage avec gaz propane. Un technicien qualifié ou un installateur certifié doit procéder à la conversion.

### Pour les installations au Massachusetts

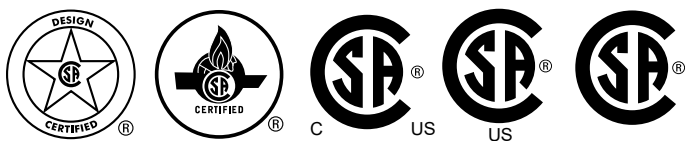
- L'installation doit être exécutée par un entrepreneur, un plombier ou un ajusteur d'appareils à gaz qualifié ou autorisé par l'État, la province ou la région d'installation de cet électroménager.
- Le robinet d'arrêt doit être robinet à gaz avec poignées en T.
- Le connecteur à gaz souple ne doit pas dépasser 36 pouces.

Installateur : prière d'indiquer au propriétaire, l'emplacement du robinet d'arrêt.

## 1.6 Codes et normes de sécurité

Cet appareil est conforme aux plus récentes versions de l'une ou plus des normes suivantes :

- UL 858 - Cuisinières électriques domestiques
- ANSI Z21.1/CSA 1.1, Appareils électroménagers pour la cuisson à gaz
- CAN/CSA C22.2 no 61 - Cuisinières domestiques



Codes applicables :

- Vérifiez les codes du bâtiment locaux pour connaître la bonne méthode d'installation de l'appareil.
- Les codes locaux peuvent varier. L'installateur est responsable de s'assurer que l'installation, les connexions de gaz et d'électricité et la mise à la terre sont conformes à tous les codes applicables. Le fabricant n'est pas responsable d'une installation incorrecte ou du non-respect des codes et réglementations locaux appropriés.
- L'installation d'appareils conçus pour une installation dans des maisons préfabriquées (mobiles) doit être conforme à la Norme de sécurité et de construction de

maisons préfabriquées, Titre 24 CFR, Partie 3280 [anciennement la Norme fédérale pour la construction et la sécurité des maisons mobiles, Titre 24, HUD {Partie 280}] ou avec les codes locaux le cas échéant.

- L'installation d'appareils conçus pour les remorques de parc de loisirs doit être conforme aux codes de l'État ou autres ou, en l'absence de tels codes, à la norme ANSI A119.5 Park Model Recreational Vehicle.
- En l'absence de codes locaux, l'appareil doit être installé conformément au National Electrical Code NFPA 70 version actuelle et National Gas Code NFPA 54/ ANSI Z223.1 – version actuelle. Au Canada, l'installation doit être conforme au Code canadien de l'électricité, CSA C22.1-02 et aux dernières éditions du Code d'installation du gaz naturel et du propane CSA B149.1 et du Code d'entreposage et de manutention du propane CSA B149.2 et/ou codes locaux.

Il est de la responsabilité du propriétaire et de l'installateur de déterminer si des exigences et/ou des normes supplémentaires s'appliquent à des installations spécifiques.

## 1.7 Recommandations de ventilation

Nous recommandons fortement l'installation d'une hotte de ventilation au-dessus de cet appareil.

La hotte doit être installée conformément aux instructions fournies avec la hotte.

### AVERTISSEMENT

L'électroménager ne doit pas être installé avec un système de ventilation qui souffle l'air vers le bas en direction des brûleurs. Ce type de système de ventilation peut entraîner des problèmes d'allumage et de combustion avec l'appareil de cuisson au gaz pouvant causer des blessures corporelles ou un fonctionnement indésirable.

## 1.8 EXIGENCES DE DÉGAGEMENT ARRIÈRE

Pour éviter de tacher le mur arrière, on recommande des matériaux de construction non-poreux, résistants à haute température qui conviennent à un environnement propre à la cuisson.

**IMPORTANT** : Il est possible que la paroi arrière se décolore sous certaines conditions de cuisson.

Modèles convenant à un dégagement arrière de 0 po par rapport aux surfaces combustibles :



# IMPORTANTES CONSIGNES DE SÉCURITÉ

## LIRE ET CONSERVER CES INSTRUCTIONS

- PCG305xx
- PRG305xx
- PRG304xx
- PRD305xx
- PRD304
- PRD488BHU/C
- PRG488BH
- PRD606xx
- PRI30LBxx
- PRI36LBxx

Tous les autres modèles :

- Lors de l'utilisation de la garniture d'îlot incluse, un dégagement arrière minimum de 6 po (152 mm)\* est requis par rapport à une surface combustible\*.
- Lors de l'installation contre une surface combustible, un dossierer bas Thermador est requis pour un dégagement arrière de 0 po avec la surface combustible. Il faudrait acheter séparément un dossierer bas Thermador.
- Un dégagement arrière à une surface recouverte d'un matériau incombustible (métal, carreaux de céramique, brique, marbre ou pierre)\*<sup>Δ</sup>, est de 0 po lors de l'utilisation de la garniture d'îlot incluse.

Les dégagements de moins de 6 po (152 mm) doivent être approuvés par le et / ou par l'autorité locale compétente.

Les dégagements pour matériaux non combustibles ne sont pas abordés dans la norme ANSI Z21.1 et ne sont pas certifiés par la CSA.

### 1.9 Mises en garde conformément à la proposition 65 de l'État de Californie

Ce produit pourrait contenir un produit chimique reconnu par l'État de la Californie comme cancérigène ou ayant des effets nocifs sur la reproduction. Par conséquent, vous pourriez devoir apposer l'étiquette suivante sur l'emballage du produit comme requis par la Californie :

**AVERTISSEMENT ISSUE DE LA PROPOSITION 65 DE L'ÉTAT DE LA CALIFORNIE :**



**AVERTISSEMENT**

Cancer et dommages à la reproduction -  
[www.P65Warnings.ca.gov](http://www.P65Warnings.ca.gov)

## 2 Avant de commencer

Ce manuel d'installation couvre plusieurs modèles. Tous graphiques sont représentatifs. Votre appareil peut varier en apparence et en fonctionnalités.

### 2.1 Pièces incluses

Après avoir déballé le produit, inspectez toutes les pièces pour détecter d'éventuels dégâts dus au transport et pour vous assurer de l'intégralité de la livraison.

- Support anti-bascule
- Vis cruciformes de 1 ½ po (38 mm) (4)
- Cosses de borne; pour une utilisation avec des installations câblées (non requis pour les installations canadiennes)
- Fil de raccordement blanc (adaptateur 3 fils)

### 2.2 Outils et pièces nécessaires

Préparez ces outils et accessoires avant de commencer à installer votre électroménager.

#### Outils

- Crayon
- Ruban à mesurer
- Niveau
- Lunettes de protection
- Gants de sécurité
- Perceuse à main ou électrique
- Foret de ⅜ po (4,76 mm)
- Foret de ½ po (3,17 mm)
- Tournevis à embout étoile T20
- Tournevis à embout étoile T30
- Tournevis cruciforme
- Tissu ou carton pour protéger le sol
- Chariot à meubles ou traîneau
- **Modèles à gaz uniquement :**
- Clé polygonale ou cliquet et douille de 7/16 po (11 mm)
- Clé à molette de 12 po (305 mm)

#### Pièces supplémentaires requises

- Ancrages pour cloisons sèches / béton
- Trousse de cordon d'alimentation 40 ou 50 A avec décharge de traction; selon les codes locaux. (Modèles bi-énergie uniquement : pas nécessaire pour les installations au Canada, le cordon est préinstallé en usine.)
- Corde / ficelle
- **Modèles à gaz uniquement :**
- Adaptateurs évasés NPT (2)
- Composé de tuyau/ruban
- Ligne flexible de ¾ po (19 mm)

#### AVIS :

Il est possible que la paroi arrière se décolore sous certaines conditions de cuisson.

### 2.3 Exigences d'alimentation et mise à la terre

La prise de courant doit être correctement mise à la terre selon tous les codes applicables.

### 2.4 Exigences concernant la ventilation

#### ⚠ AVERTISSEMENT

L'électroménager ne doit pas être installé avec un système de ventilation qui souffle l'air vers le bas en direction des brûleurs. Ce type de système de ventilation peut entraîner des problèmes d'allumage et de combustion avec l'appareil de cuisson au gaz pouvant causer des blessures corporelles ou un fonctionnement indésirable.

- Reportez-vous au « Guide de planification de la ventilation » pour les combinaisons de ventilation approuvées.
- Il est fortement recommandé d'installer cet appareil en conjonction avec une hotte de ventilation Thermador. En raison de la capacité thermique élevée de cet appareil, une attention particulière doit être accordée à l'installation de la hotte et des conduits pour s'assurer qu'ils sont conformes aux codes du bâtiment locaux.
- La ventilation à tirage descendant ne doit pas être utilisée. Le « Guide de planification de la ventilation » indique les options de hotte de ventilation et les directives de capacité de ventilateur recommandées.
- En raison de la chaleur élevée des brûleurs de la cuisinière, l'installation d'un four à micro-ondes avec un système de ventilation au-dessus de la cuisinière n'est pas recommandée sur les modèles autres que les cuisinières à 5 brûleurs et à induction de 30 po. Reportez-vous au manuel d'installation du fabricant du dessus du four ou de la plaque de cuisson (OTR) pour les dégagements.
- Les hottes de ventilation et les souffleurs sont conçues pour être utilisées avec des conduits à simple paroi. Cependant, certains codes du bâtiment locaux ou certains inspecteurs peuvent exiger des conduits à double paroi. Consultez les codes du bâtiment locaux et/ou les agences locales avant de commencer pour vous assurer que l'installation de la hotte et du conduit répondra aux exigences locales.

#### AVIS :

La plupart des hottes de cuisine contiennent des composants combustibles qui doivent être pris en compte lors de la planification de l'installation.

#### Préparation de l'aération

1. Sélectionnez les modèles de hotte et de ventilateur.
  - Pour les installations murales, la largeur de la hotte doit, au minimum, être égale à la largeur de la cuisinière/du dessus de la plaque de cuisson. Lorsque l'espace le permet, une hotte plus large que

la cuisinière/le dessus de la cuisinière peut être souhaitable pour améliorer les performances de ventilation.

- Pour les installations en îlot, la largeur de la hotte doit dépasser la largeur de la cuisinière/plaque de cuisson d'au moins 3 po (76 mm) de chaque côté.

## 2. Considérez le placement de la hotte.

- Pour une meilleure élimination de la fumée, le bord inférieur de la hotte doit être installé à 30 po (762 mm) au-dessus de la surface de cuisson de la cuisinière.
- Si la hotte contient des matériaux combustibles (c.-à-d. un revêtement en bois), elle doit être installée à un minimum de 36 po (914 mm) au-dessus de la surface de cuisson.

## 3. Pensez à l'air d'appoint.

- En raison du volume élevé d'air de ventilation, une source d'air de remplacement extérieur est recommandée. Ceci est particulièrement important pour les maisons hermétiquement fermées et isolées.
- Un entrepreneur qualifié en chauffage et en ventilation doit être consulté.

## 3 Exigences d'installation

Lisez ces instructions pour préparer l'espace d'installation de votre appareil.

### 3.1 Exigences concernant l'emplacement

L'appareil est une unité autonome. Si l'appareil doit être placé à côté d'armoires, les dégagements indiqués dans cette section sont requis. Les mêmes dégagements s'appliquent aux installations sur îlot, sauf pour les armoires au-dessus qui doivent comporter un espace assez grand pour recevoir une hotte d'îlot.

#### MISE EN GARDE

Pour éviter d'endommager les armoires et les finitions des armoires :

- ▶ Utilisez uniquement des matériaux et des finis qui ne se décolorent pas ni se décollent en couches multiples.
- ▶ Les matériaux doivent être en mesure de supporter des températures pouvant atteindre 90 °C (194 °F).
- ▶ Utilisez des matières adhésives résistantes à la chaleur et à l'humidité si l'appareil est installé dans des armoires stratifiées.
- ▶ Vérifiez auprès du fabricant du produit pour vous assurer que les matériaux répondent à ces exigences.

Spécifications :

- L'alimentation en gaz et en électricité doit se trouver dans les zones indiquées dans l'image sur les exigences de dégagement.  
→ "Besoins en gaz et en électricité", Page 40
- Tout orifice dans le mur derrière l'appareil et dans le plancher sous l'appareil doit être scellé.

- La zone ombrée supérieure derrière l'appareil indique une opportunité de décolorer la paroi arrière dans certaines conditions de cuisson.
- Laissez un dégagement latéral minimum de 5 po (127 mm) entre l'appareil et les surfaces verticales inflammables au-dessus de la hauteur du plan de travail de 36 po (914 mm).
- Dans ces limites de dégagement latéral minimum de 5 po (127 mm) des surfaces verticales inflammables au-dessus du plan de travail de 36 po (914 mm), la profondeur maximale de l'armoire doit être de 13 po (330 mm).
- Les armoires murales situées à l'intérieur de ce dégagement latéral de 5 po (127 mm) doivent être à 18 po (457 mm) au-dessus du comptoir de 36 po (914 mm) de haut.
- La profondeur maximale des armoires suspendues de chaque côté de la hotte est de 13 po (330 mm).
- Il y a un dégagement minimum de 36 po (914 mm) requis entre le haut de la surface de cuisson et le bas d'une armoire non protégée. Un dégagement de 30 po (762 mm) peut être utilisé lorsque le fond de l'armoire en bois ou en métal est protégé par au moins ¼ po (6 mm) d'un matériau ignifuge recouvert d'au moins une tôle d'acier n° 28 MSG, 0,015 po (0,38 mm) d'acier inoxydable d'épaisseur, 0,024 po (0,61 mm) d'aluminium ou 0,02 po (0,51 mm) d'épaisseur de cuivre.
- N'obstruez pas les événements du four.
- La hauteur de l'appareil est réglable. Le niveau du dessus de la cuisinière doit être à niveau ou au-dessus du niveau le plus haut du comptoir.
- Pour assurer une ventilation adéquate de la cuisinière, ne retirez pas les pieds de la cuisinière.

### Exigences de dégagement arrière

Pour éviter de tacher le mur arrière, on recommande des matériaux de construction non-poreux, résistants à haute température qui conviennent à un environnement propre à la cuisson.

**IMPORTANT** : Il est possible que la paroi arrière se décolore sous certaines conditions de cuisson.

Modèles convenant à un dégagement arrière de 0 po par rapport aux surfaces combustibles :

- PCG305xx
- PRG305xx
- PRG304xx
- PRD305xx
- PRD304
- PRD488BHU/C
- PRG488BH
- PRD606xx
- PRI30LBxx
- PRI36LBxx

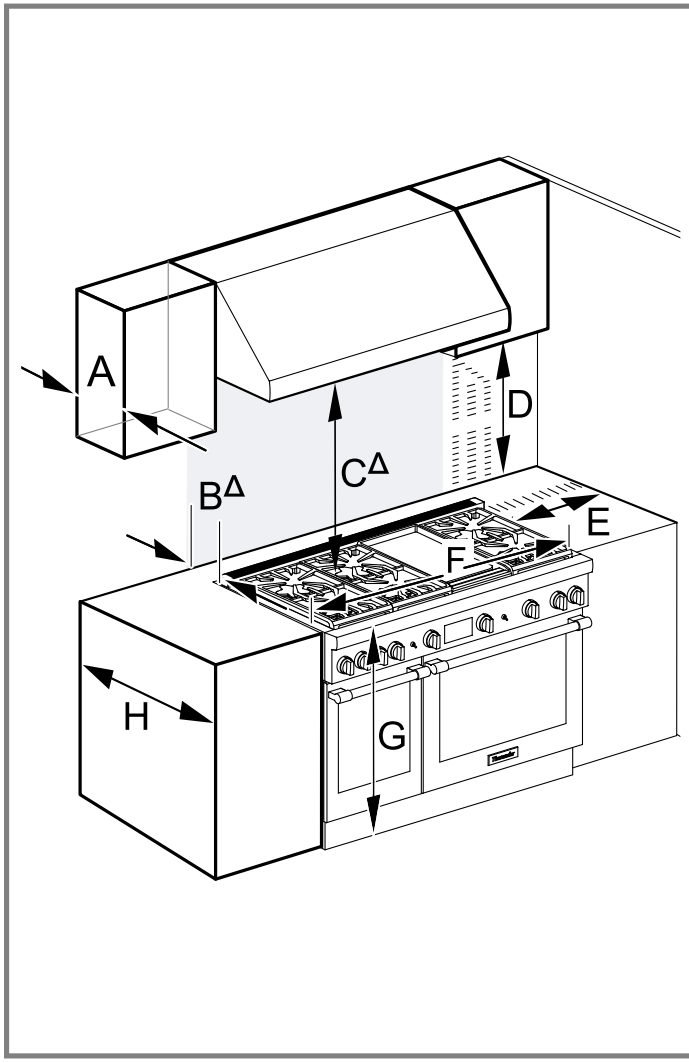
Tous les autres modèles :

- Lors de l'utilisation de la garniture d'îlot incluse, un dégagement arrière minimum de 6 po (152 mm)\* est requis par rapport à une surface combustible\*.

- Lors de l'installation contre une surface combustible, un dossier bas Thermador est requis pour un dégagement arrière de 0 po avec la surface combustible. Il faudrait acheter séparément un dossier bas Thermador.
- Un dégagement arrière à une surface recouverte d'un matériau incombustible (métal, carreaux de céramique, brique, marbre ou pierre)\*<sup>Δ</sup>, est de 0 po lors de l'utilisation de la garniture d'îlot incluse.

Les dégagements de moins de 6 po (152 mm) doivent être approuvés par le et / ou par l'autorité locale compétente. Les dégagements pour matériaux non combustibles ne sont pas abordés dans la norme ANSI Z21.1 et ne sont pas certifiés par la CSA.

### Exigences de dégagement de l'armoire avec garniture d'îlot

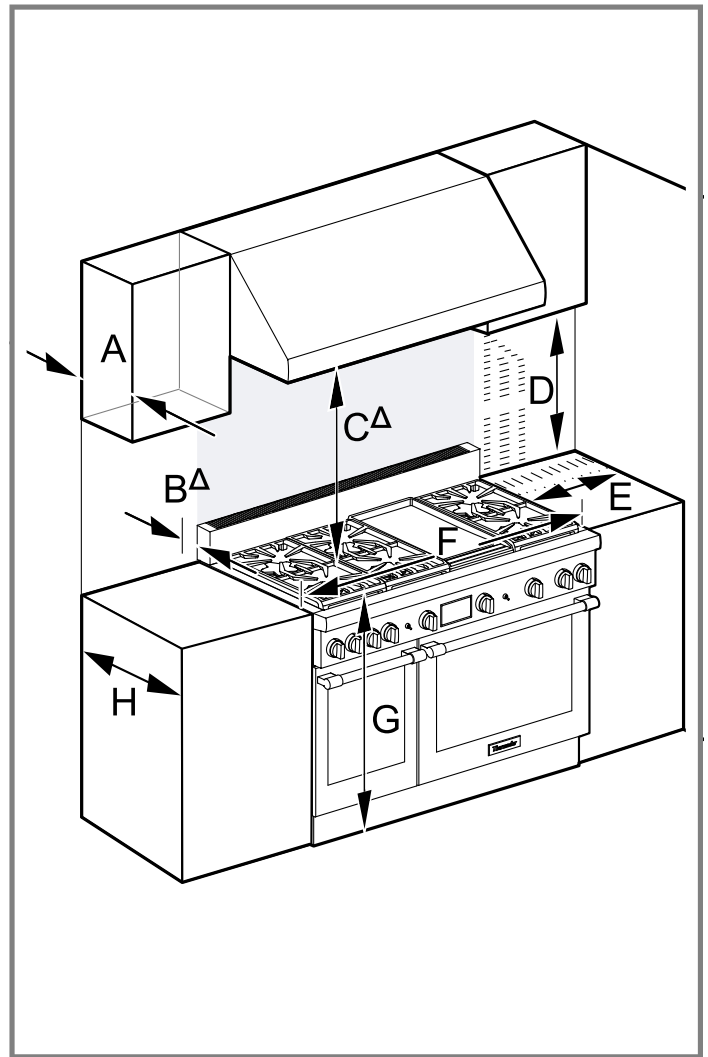


A	13 po (330 mm)
B <sup>Δ</sup>	Cuisinières à induction, 60 po et 48 po 8 brûleurs : 0 po (0 mm) Toutes les autres gammes : 6 po (152 mm)
C <sup>Δ</sup>	30 po - 36 po (762 mm - 914 mm)
D	18 po (457 mm)
E	Plages d'induction : 0 po (0 mm) Toutes les autres gammes : 5 po (127 mm)

F	Selon le modèle : ■ 30 po (762 mm) ■ 36 po (914 mm) ■ 48 po (1219 mm) ■ 60 po (1524 mm)
G	35 7/8 po - 36 3/4 po (911 mm - 933 mm)
H	23 7/8 po (606 mm)

\* tel que défini dans le « National Fuel Gas Code » (ANSI Z223.1, édition actuelle). Les dégagements pour matériaux non combustibles ne sont pas abordés dans la norme ANSI Z21.1 et ne sont pas certifiés par la CSA. Les dégagements de moins de 6 po (152 mm) doivent être approuvés par le et / ou par l'autorité locale compétente. **Il est possible que la paroi arrière se décolore sous certaines conditions de cuisson.**

### Exigences de dégagement de l'armoire avec dossier bas (acheté séparément)



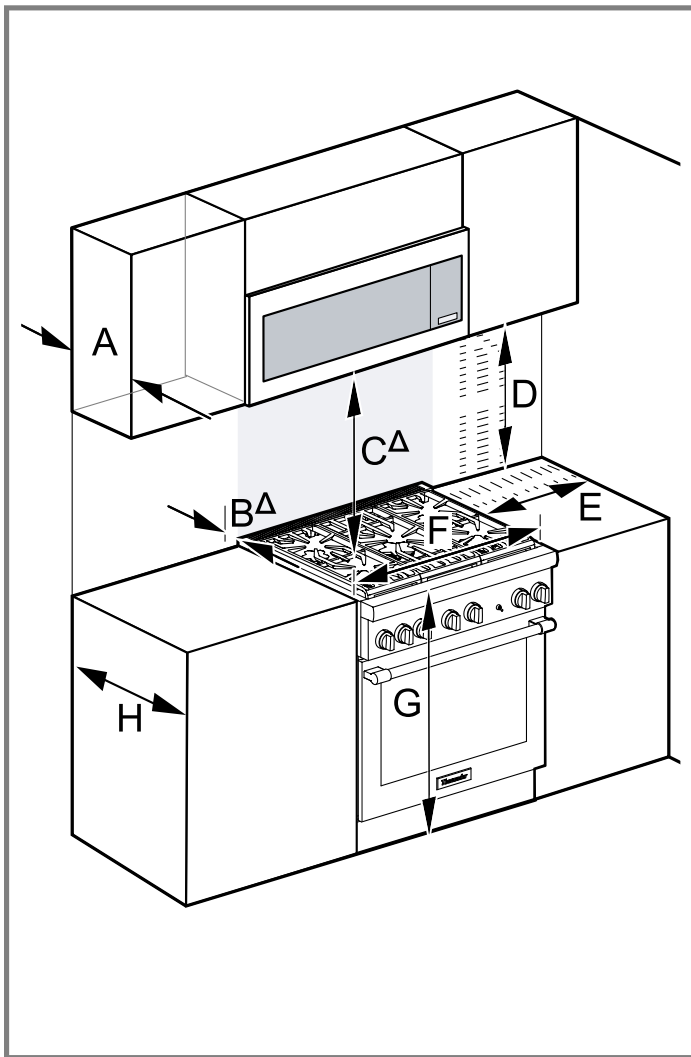
A	13 po (330 mm)
B <sup>Δ</sup>	0 po (0 mm)
C <sup>Δ</sup>	30 po - 36 po (762 mm - 914 mm)
D	18 po (457 mm)
E	Plages d'induction : 0 po (0 mm)

Toutes les autres gammes : 5 po (127 mm)

F	Selon le modèle : <ul style="list-style-type: none"> <li>■ 30 po (762 mm)</li> <li>■ 36 po (914 mm)</li> <li>■ 48 po (1219 mm)</li> </ul>
G	35 7/8 po - 36 3/4 po (911 mm - 933 mm)
H	23 7/8 po (606 mm)

\* tel que défini dans le « National Fuel Gas Code » (ANSI Z223.1, édition actuelle). Les dégagements pour matériaux non combustibles ne sont pas abordés dans la norme ANSI Z21.1 et ne sont pas certifiés par la CSA. Les dégagements de moins de 6 po (152 mm) doivent être approuvés par le et / ou par l'autorité locale compétente. **Il est possible que la paroi arrière se décolore sous certaines conditions de cuisson.**

### Exigences de dégagement de l'armoire avec micro-ondes OTR pour les cuisinières à 5 brûleurs et à induction de 30 po



A	13 po (330 mm)
B <sup>Δ</sup>	0 po (0 mm)
C <sup>Δ</sup>	min. 30 po (762 mm) à un matériau incombustible au-dessus de la surface de cuisson.

Pour connaître les dégagements nécessaires, consulter le manuel d'installation du fabricant de micro-ondes à hotte intégrée.

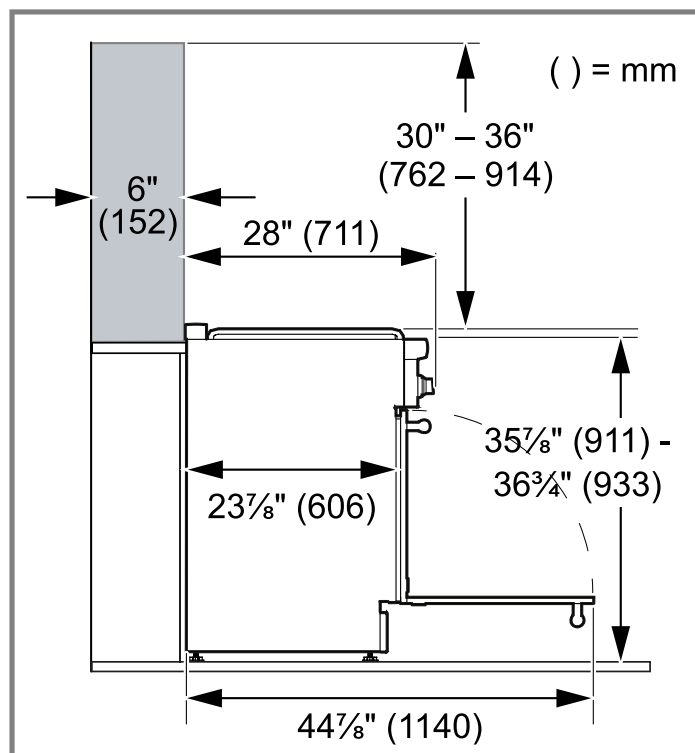
D	18 po (457 mm)
E	Plages d'induction : 0 po (0 mm) Toutes les autres gammes : 5 po (127 mm)
F	30 po (762 mm)
G	35 7/8 po - 36 3/4 po (911 mm - 933 mm)
H	23 7/8 po (606 mm)

\* tel que défini dans le « National Fuel Gas Code » (ANSI Z223.1, édition actuelle). Les dégagements pour matériaux non combustibles ne sont pas abordés dans la norme ANSI Z21.1 et ne sont pas certifiés par la CSA. Les dégagements de moins de 6 po (152 mm) doivent être approuvés par le et / ou par l'autorité locale compétente. **Il est possible que la paroi arrière se décolore sous certaines conditions de cuisson.**

### Dégagements latéraux

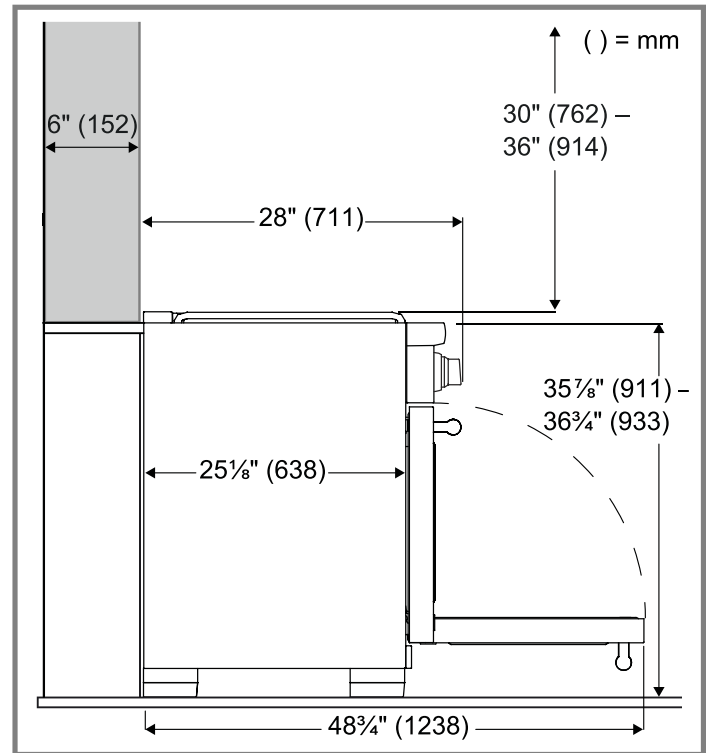
- Les dimensions indiquées sont avec la garniture d'îlot incluse. Une option de dossier bas est disponible (achetée séparément).
- Pour une installation de garniture d'îlot, la surface du comptoir doit avoir un bord en porte-à-faux rencontrant la section arrière de la garniture d'îlot.
- Si un mur intérieur est utilisé sous le comptoir en porte-à-faux, il doit y avoir un espace de 1/8 po (3 mm) à l'arrière de l'appareil.
- La zone ombrée derrière l'appareil indique le dégagement minimum aux surfaces combustibles. Les matériaux combustibles ne peuvent pas être situés dans cette zone avec la garniture de l'îlot.

### Cuisinières Pro Harmony®



- Il y a un dégagement total de 44 7/8 po (1 140 mm)
- Il y a une profondeur d'encastrement maximale de 23 7/8 po (606 mm)

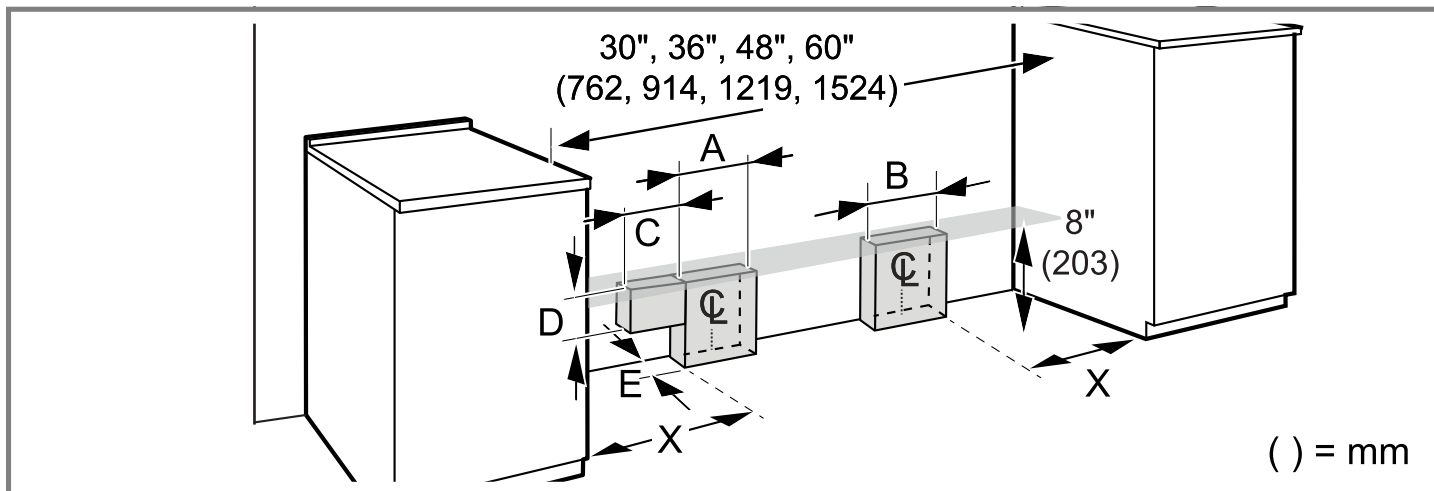
### Cuisinières Pro Grand®



- Il y a un dégagement total de 48 3/4 po (1 238 mm)
- Il y a une profondeur d'encastrement maximale de 25 1/8 po (638 mm)

## 3.2 Besoins en gaz et en électricité

- **IMPORTANT** : S'il n'est pas déjà présent, installez une vanne d'arrêt de gaz dans un endroit facilement accessible. Assurez-vous que tous les utilisateurs savent où et comment couper l'alimentation en gaz de l'appareil.
- Une ligne de production métallique souple ou un tuyau métallique fixe doit être utilisé pour raccorder le gaz à l'appareil. Si une conduite de gaz en métal ne peut pas être utilisée, veuillez vous adresser à un électricien agréé local ou aux codes électriques locaux pour obtenir une mise à la terre appropriée.
- Toute ouverture dans le mur derrière l'appareil et toute ouverture dans le sol sous l'appareil doit être scellée.
- L'appareil doit être raccordé uniquement au type de gaz pour lequel il est certifié. Si l'appareil doit être raccordé au gaz propane, assurez-vous que le réservoir d'alimentation en gaz propane est équipé de son propre régulateur haute pression en plus du régulateur de pression fourni avec l'appareil.
- Les alimentations en gaz et en électricité doivent se trouver dans les zones indiquées sur l'image de cette section.
- Pour couper l'alimentation en gaz, il faut installer un robinet d'arrêt manuel externe à l'appareil électroménager, à un endroit accessible de l'avant. La conduite d'alimentation en gaz ne doit pas nuire à l'arrière de l'appareil.
- L'appareil est fourni avec son propre régulateur de pression qui a été monté en permanence dans le corps de l'appareil.
- Pour une installation presque au ras du mur du fond, la conduite d'alimentation en gaz et le cordon électrique ne doivent pas dépasser 9 po (229 mm) au-dessus du sol.
- Lorsque le cordon d'alimentation ou le conduit est connecté à la prise correspondante ou au couvercle du bornier, la fiche et la prise combinées, ou le couvercle du bornier et le connecteur de conduit ne doivent pas dépasser de plus de 2 po (51 mm) de la paroi arrière.
- L'installateur doit informer le propriétaire de l'emplacement de la vanne d'arrêt du gaz. Assurez-vous que tous les utilisateurs savent où et comment couper l'alimentation en gaz de l'appareil.



Modèle de cuisinière	Zone de gaz A	Zone électrique B	X	C	D	E
Toutes les séries Pro Harmony®	4 po (102 mm)	6 po (152 mm)	5 po (127 mm)	S/O	S/O	2 po (51 mm)
Séries Pro Grand® 36 po/48 po	4 po (102 mm)	6 po (152 mm)	8 po (203 mm)	4 po (102 mm)	3 po (76 mm)	2 po (51 mm)
Séries Pro Grand® 60 po	4 po (102 mm)	6 po (152 mm)	8 po (203 mm)	4 po (102 mm)	3 po (76 mm)	1 po (25 mm)

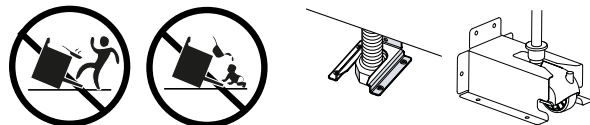
## 4 Avant l'installation

Effectuez ces étapes pour préparer votre appareil à l'installation.

### 4.1 Montage de la console anti-basculement

La cuisinière peut basculer vers l'avant, pouvant causer des blessures et des dommages, si le support antibasculement n'est pas correctement installé. Ne pas faire fonctionner la cuisinière si le support antibasculement n'est pas en place.

#### ⚠ AVERTISSEMENT DANGER DE BASCULEMENT SUR LES CUISINIÈRES



- ▶ Toutes les cuisinières peuvent basculer et entraîner des blessures. Pour éviter tout basculement accidentel de la cuisinière, fixez-la au sol, au mur ou à l'armoire en installant le support anti-basculement fourni.
- ▶ Un enfant ou un adulte peut faire basculer la cuisinière et être tué ou gravement blessé. Vérifiez que le support antibasculement est correctement installé. Assurez-vous que le support anti-basculé est engagé lorsque la cuisinière est déplacée.
- ▶ **NE PAS** faire fonctionner la cuisinière si le support antibasculement n'est pas en place. Non-respect des instructions de ce manuel peut entraîner la mort ou des brûlures graves pour les enfants et les adultes.

- ▶ Si la cuisinière est déplacée pour le nettoyage, l'entretien ou toute autre raison, assurez-vous que le support anti-basculé est correctement ré-engagé lorsque la cuisinière est remise en place. En cas d'utilisation anormale (telle qu'une personne debout, assise ou appuyée sur une porte ouverte), le non-respect de cette précaution peut entraîner le basculement de la cuisinière. Des blessures peuvent résulter du déversement de liquides chauds ou de la cuisinière elle-même.
- ▶ Vérifiez que le support anti-basculement est correctement installé et utilisé. Inclinez délicatement la cuisinière vers l'avant de l'arrière pour s'assurer que le support anti-basculé s'engage dans la patte de la cuisinière et empêche le renversement. La cuisinière ne doit pas se déplacer de plus de 1 po (2,5 cm).

#### ⚠ AVERTISSEMENT RISQUE D'ÉLECTROCUTION

- ▶ Soyez extrêmement prudent lorsque vous percez des trous dans le mur ou le sol, car des fils électriques peuvent être dissimulés.
- ▶ Identifiez les circuits électriques qui pourraient être affectés par l'installation du support anti-basculé, puis mettez ces circuits hors tension.
- ▶ Le non-respect de ces instructions peut entraîner un choc électrique ou d'autres blessures.

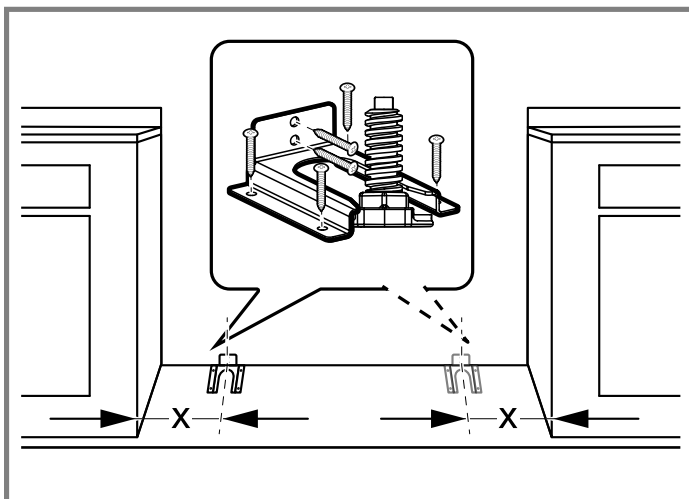
#### Remarque

- Le matériel fourni est destiné au montage à travers des montants en bois d'épaisseur standard. L'installateur est responsable de fournir le matériel pour d'autres types de situations de montage.

- Contactez un installateur ou un entrepreneur qualifié pour déterminer la méthode appropriée pour percer des trous à travers le matériau du mur ou du plancher, comme les carreaux de céramique, le bois franc ou autre.
  - Le support anti-basculement peut être fixé à une surface en bois massif ayant une épaisseur de paroi minimale de  $\frac{3}{4}$  po (19 mm).
  - L'épaisseur du mur ou du sol peut nécessiter l'utilisation de vis plus longues, disponibles dans votre quincaillerie locale.
  - Dans tous les cas, au moins deux (2) des vis de montage du support anti-basculement doivent être fixées à une surface en bois massif.
  - Utilisez des ancrages appropriés lors de la fixation du support de montage à tout matériau autre que le bois dur ou le métal.
1. Retirez le support anti-basculement du paquet de documentation, à l'intérieur de la boîte qui se trouvait sur le dessus de l'appareil.
  2. Placez le support anti-basculement sur le sol comme illustré. Il peut être placé indifféremment à gauche ou à droite.
  3. Mesurez et marquez la distance indiquée pour votre modèle d'appareil. Centrez le support anti-basculement sur le repère.  
→ "Emplacement du support anti-basculement", Page 42
  4. Pour les murs, les poteaux muraux ou les sols composés de bois massif ou de métal, percez des avant-trous de  $\frac{1}{8}$  po (3 mm).
  5. Fixez le support anti-basculement au sol et/ou au montant du mur à l'aide des (4) vis cruciformes de  $1\frac{1}{2}$  po (38 mm) fournies.
  6. Lors de l'installation de l'appareil, assurez-vous que le pied réglable glisse sous le support anti-basculement.

### Emplacement du support anti-basculement

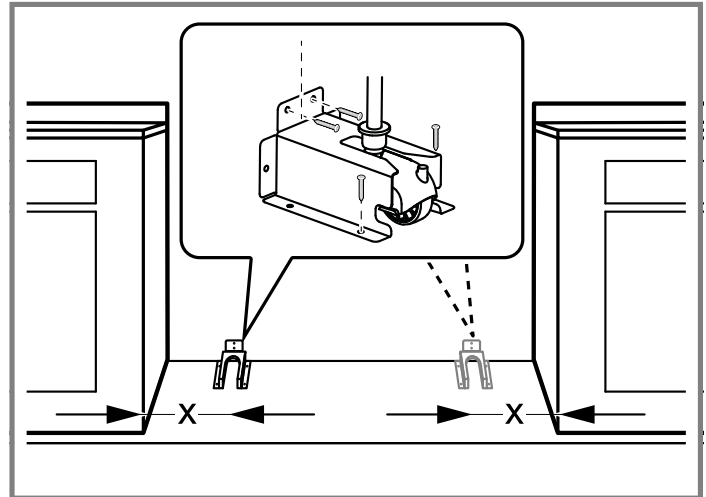
#### Cuisinières 30 Po, 36 po et 48 po



**Remarque :** L'image montre tous les emplacements de vis possibles. Utilisez au moins 2 des 4 vis fournies.

Modèle	Valeur pour « X »
30 po Pro Harmony®	1 $\frac{3}{4}$ po (45 mm)
36 po Pro Harmony®	2 $\frac{3}{16}$ po (56 mm)
36 po Pro Grand®	3 $\frac{7}{8}$ po (98 mm)
Modèles à vapeur de 48 po uniquement	1 $\frac{5}{8}$ po (41 mm)
Tous les autres modèles de 48 po :	1 $\frac{3}{4}$ po (45 mm)

#### Cuisinières de 60 po



**Remarque :** L'image montre tous les emplacements de vis possibles. Utilisez au moins 2 des 4 vis fournies.

Modèle	Valeur pour « X »
60 po	2 po (51 mm)

## 4.2 Déballage et déplacement de l'appareil

### ⚠ MISE EN GARDE

Prenez les précautions suivantes lors de la manipulation de l'appareil pendant l'installation.

- ▶ NE soulevez PAS l'appareil par la poignée de la porte du four, car cela pourrait endommager les charnières de la porte et entraîner un mauvais ajustement de la porte.
- ▶ NE soulevez PAS l'appareil par le panneau de commande de la cuisinière.
- ▶ Cet appareil est lourd et doit être manipulé correctement. Par mesure de sécurité, le port de gants et au moins deux personnes sont nécessaires pour déplacer l'unité afin d'éviter les blessures et les dommages matériels.
- ▶ Les bagues, montres et autres objets qui peuvent endommager ou se coincer dans la machine doivent être retirés.
- ▶ Certaines surfaces cachées peuvent avoir des rebords tranchants. Redoublez de vigilance quand vous passez la main derrière ou sous l'unité.
- ▶ N'UTILISEZ PAS de diable ou de chariot d'électroménager à l'arrière ou à l'avant de l'appareil. Manipuler par le côté uniquement.

## Déballage de l'appareil

### AVIS :

NE PAS retirer la mousse du panneau de commande tant que l'appareil n'est pas complètement installé.

NE PAS soulever le panneau de commande à aucun moment pendant l'installation.

1. Retirez le carton extérieur et les matériaux d'emballage de la palette d'expédition.
2. Laissez le film protecteur sur les surfaces en métal brossé, pour protéger la finition des rayures, jusqu'à ce que la cuisinière soit installée dans sa position finale.
3. Retirez les grilles, les chapeaux des brûleurs et les grilles du four pour faciliter la manipulation.
4. Si vous le souhaitez, les portes du four et le tiroir-réchaud (le cas échéant) peuvent être retirés ,  
→ "Retrait du tiroir chauffant", Page 44.

## Déplacement de l'appareil

En raison du poids, un chariot de meuble avec des roues souples ou un élévateur à air doit être utilisé pour déplacer cette unité. Le poids doit être supporté uniformément sur le fond.

1. Pour retirer les boulons de la palette à l'avant et à l'arrière, utilisez une clé ou un cliquet et une douille de  $7/16$  po (11 mm) pour retirer le boulon de la palette du bas de la palette.
2. Soulevez la cuisinière et retirez-la de la palette. Utilisez une aide supplémentaire si nécessaire pour le retirer de la palette.
3. Transportez la cuisinière à l'aide d'un chariot à meubles à proximité de son emplacement final. L'unité ne doit pas être déplacée par l'avant. NE faites PAS glisser la cuisinière sur un sol non protégé.
4. La cuisinière peut ensuite être inclinée vers l'arrière et soutenue sur les pieds arrière pendant que le chariot est soigneusement retiré.

**LE SOL SOUS LES PIEDS DOIT ÊTRE PROTÉGÉ AVANT DE POUSSER L'APPAREIL EN POSITION.**

## 4.3 Retrait de la porte du four

Il est recommandé de retirer la porte du four pour réduire le poids de l'appareil et pour faciliter sa manipulation et son installation.

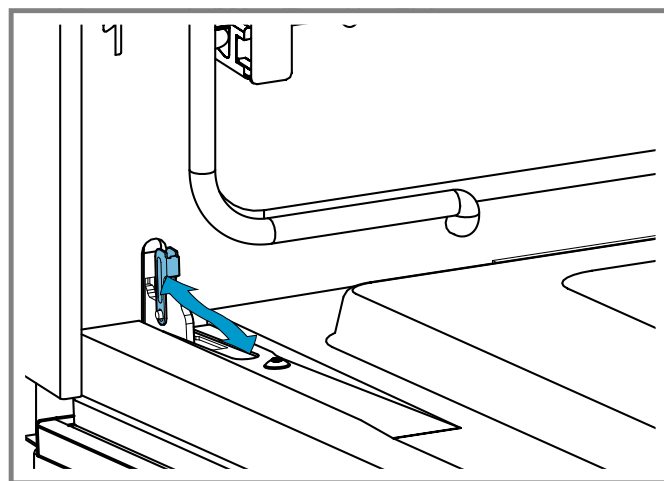
### ⚠ AVERTISSEMENT

Le non-respect de ces instructions lors du retrait de la porte du four peut entraîner des blessures ou endommager le produit.

- ▶ Avant de démonter la porte, s'assurer que le four soit froid et que le courant qui l'alimente a été coupé. Le non-respect de cette précaution pourrait entraîner un choc électrique ou des brûlures.
- ▶ La porte du four est lourde et certaines parties sont fragiles. Utilisez les deux mains pour retirer la porte du four.

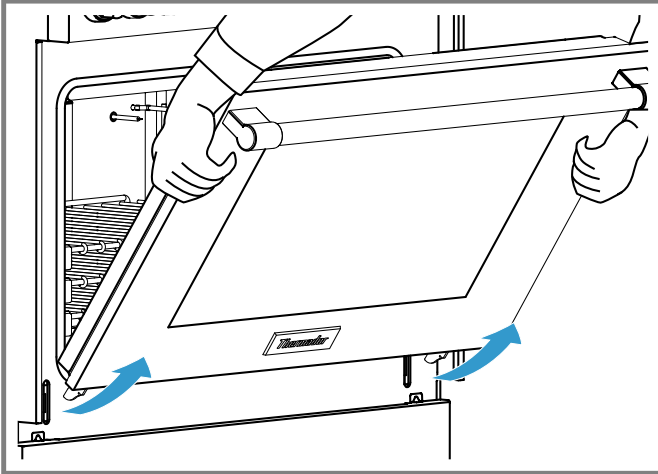
- ▶ Le devant de la porte est en verre. Manipulez-la avec précaution pour éviter des cassures.
- ▶ Saisir uniquement les côtés de la porte. Ne saisissez pas la poignée. Il peut osciller dans votre main et provoquer des dommages ou des blessures. Si la porte du four n'est pas saisie fermement et correctement, il y a un risque de blessure ou de dommage à l'appareil.
- ▶ Pour éviter toute blessure causée par l'enclenchement soudain du support de charnière, s'assurer que les deux leviers sont bien enclenchés avant d'enlever la porte.
- ▶ Ne forcez pas la porte pour l'ouvrir ou la fermer. La charnière pourrait être endommagée et provoquer des dommages ou des blessures.
- ▶ Ne pas déposer la porte sur des objets acérés ou pointus, car ils risquent de briser la vitre. Posez-la sur une surface plane et lisse, positionnée de manière à ce que la porte ne puisse pas tomber.

1. Assurez-vous de lire l'AVERTISSEMENT ci-dessus avant de tenter de retirer la porte.
2. Ouvrir la porte au maximum.
3. Retournez les clips de charnière pour les deux côtés de la porte. Un tournevis peut être nécessaire pour soulever soigneusement le clip.



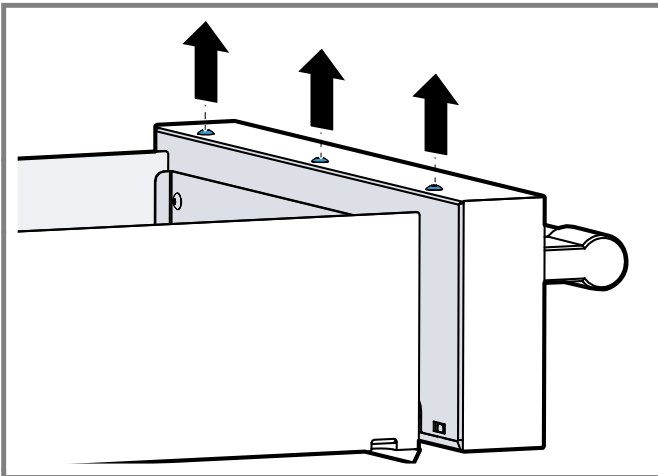
4. Fermer délicatement la porte jusqu'à ce qu'elle soit appuyée sur les crochets. Les crochets de la charnière maintiendront la porte ouverte à un angle de près de 30 degrés par rapport à sa position fermée.

- Saisir fermement la porte par les extrémités. Soulever la porte et la sortir. Il y aura une certaine résistance provenant des ressorts.

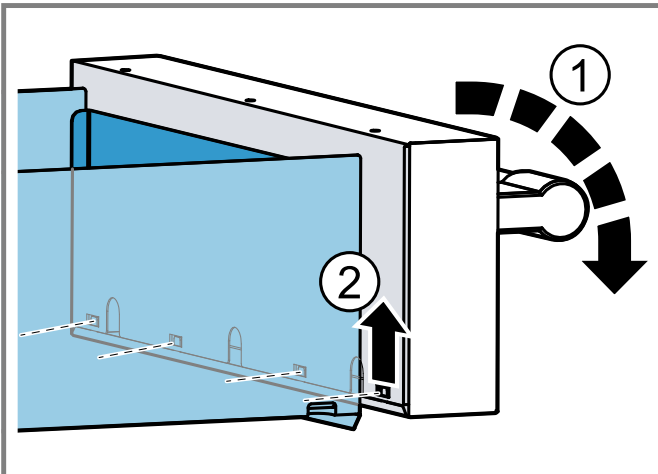


#### 4.4 Retrait du tiroir chauffant

- Retirez les trois (3) vis Torx T-20 sur le dessus de la porte du tiroir-réchaud.



- Faites pivoter la porte du tiroir-réchaud vers l'extérieur puis abaissez-la pour la dégager des onglets de fixation.



## 5 Besoins en gaz et raccordements

### ⚠ MISE EN GARDE

L'électroménager doit être isolé de la canalisation du système d'alimentation en gaz en fermant son propre robinet d'arrêt manuel pour tout test de pression à des pressions égales ou inférieures à ½ PSI (3,5 kPa). Lors du raccordement de l'appareil au gaz propane, assurez-vous que le réservoir de gaz propane est équipé de son propre régulateur de haute pression en plus du régulateur de pression fourni avec l'appareil. La pression du gaz fourni au régulateur de l'appareil ne doit pas dépasser 14 pouces de colonne d'eau (34,9 mbar).

### ⚠ AVERTISSEMENT

**NE PAS** utiliser une flamme quelconque pour vérifier l'étanchéité.

**IMPORTANT:** Ne pas mettre à la terre sur un tuyau de gaz.

Vérifiez le type de gaz utilisé sur le site d'installation. Assurez-vous que la cuisinière correspond au type de gaz disponible à cet endroit.

Les raccordements d'alimentation en gaz doivent être effectués par un technicien compétent et conformément aux codes ou ordonnances locaux. En l'absence de codes locaux, l'installation doit être conforme à la version actuelle du National Fuel Gas Code ANSI Z223.1/ NFPA54.

### 5.1 Installation à haute altitude

- Cet appareil a été testé pour fonctionner à une altitude allant jusqu'à 3 078 m (10 100 pi) au-dessus du niveau de la mer.
- Une trousse de haute altitude est requise pour le gaz naturel au-dessus de 5,400 pieds (1,646 m) d'altitude au-dessus du niveau de la mer et pour le propane (LP) au-dessus de 10 000 pieds (3 048 m) d'altitude au-dessus du niveau de la mer.
- Si vous le souhaitez, pour les altitudes supérieures à 2 000 pieds (610 m) au-dessus du niveau de la mer, des ajustements peuvent être apportés aux brûleurs de la cuisinière à l'aide d'une trousse d'ajustement. Si la flamme réagit de manière satisfaisante, aucun ajustement n'est requis.
- Voir les informations du service à la clientèle sur le service, les pièces et les accessoires. → Page 58

### 5.2 Exigences en matière de gaz

Besoins en gaz naturel :

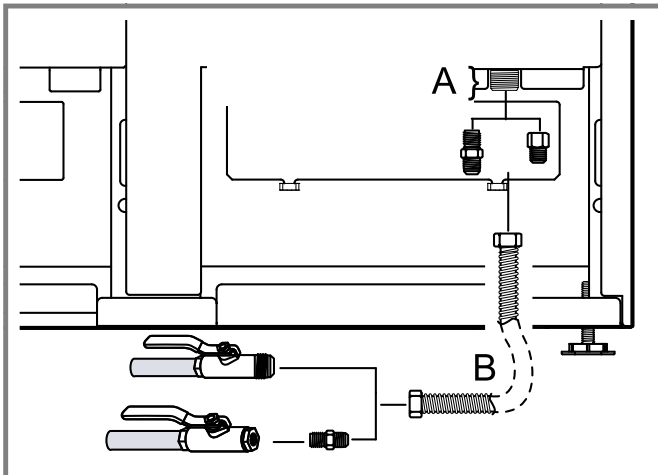
- Connexion d'entrée : ½ po NPT interne (conduite flexible de diamètre min. ¾ po)
- Pression d'alimentation : 7 po min. à 14 po max. colonne d'eau (17,4 à 34,9 mbar)
- Pression d'admission : colonne d'eau de 5 pouces (12,5 mbar)

Besoins en gaz propane :

- Connexion d'entrée : ½ po NPT interne (conduite flexible de ¾ po de diamètre minimum)
- Pression d'alimentation : 11 po min. à 14 po max. colonne d'eau (27,4 mbar à 34,9 mbar)
- Pression d'admission : colonne d'eau de 10 pouces (24,9 mbar)

### 5.3 Raccordement de l'alimentation en gaz

1. S'assurer que le robinet d'arrêt manuel est fermée pour couper l'alimentation en gaz avant de raccorder l'appareil électroménager.
2. Utilisez une conduite flexible de ¾ po (19 mm) pour connecter l'alimentation en gaz à l'entrée de gaz de l'appareil. La connexion de la conduite d'alimentation en gaz est située dans la partie inférieure droite. Le raccord d'entrée de gaz de l'appareil est de ½ po (12,7 mm) NPT.
  - Soyez prudent afin d'éviter de pincer la ligne flexible de ¾ po (19 mm) lorsque vous effectuez des virages. La longueur suggérée de la ligne flexible est de 48 po (1 219 mm) ; cependant, veuillez vérifier les codes locaux pour les exigences de votre région avant l'installation.



- A Filetages externes de ¾ po (19 mm)  
Filetages internes de ½ po (12,7 mm)
- B Ligne flexible de ¾ po (19 mm)

3. Utilisez un composé d'étanchéité pour tuyaux ou du ruban Teflon® sur les filetages des tuyaux. **NE PAS** appliquer un composé d'étanchéité ou du ruban adhésif sur les raccords évasés. Veillez à ne pas appliquer une pression excessive lors du serrage des raccords.
4. Le test d'étanchéité de l'appareil doit être conforme aux instructions suivantes :
  - Allumez le gaz et vérifiez les connexions de la conduite d'alimentation pour détecter les fuites à l'aide d'une solution d'eau et de savon.
  - La formation de bulles indique une fuite de gaz. Réparez toutes les fuites immédiatement.

### Vérification de la conduite de gaz pour les fuites

Les tests d'étanchéité doivent être effectués par l'installateur conformément aux instructions suivantes.

#### ⚠ AVERTISSEMENT

**NE PAS** utiliser une flamme quelconque pour vérifier l'étanchéité.

1. Ouvrez le gaz.
2. Appliquez un liquide de détection de fuites non corrosif à toutes les jonctions et tous les raccords des conduites de gaz entre le robinet d'arrêt et l'appareil. Vérifiez également les raccords de gaz et les joints de l'appareil si les connexions peuvent avoir été perturbées pendant l'installation.
  - ✓ Les bulles qui apparaissent autour des raccords indiquent une fuite.
3. En présence d'une fuite, coupez l'alimentation en gaz en fermant le robinet d'arrêt et serrez le ou les raccords qui fuient.
4. Contrôlez à nouveau l'étanchéité en ouvrant la soupape d'arrêt de gaz de la conduite d'alimentation.
  - ✓ Lorsque la vérification des fuites est terminée et qu'aucune bulle n'apparaît, le test est terminé.
5. Essuyez toute solution savonneuse ou résidu de liquide de détection.
  - ✓ Ne continuez pas l'installation tant que toutes les fuites ne sont pas éliminées.

## 6 Exigences électriques et connexion pour les modèles GAZ

#### ⚠ AVERTISSEMENT

Avant l'installation, couper l'alimentation au panneau de service.

- ▶ Verrouiller le panneau de service pour empêcher que l'alimentation ne soit rétablie par accident.

#### ⚠ AVERTISSEMENT

Débranchez toujours l'appareil de l'alimentation électrique en débranchant le cordon d'alimentation ou en fermant le disjoncteur au niveau du panneau de service avant de procéder à l'entretien de l'appareil.

#### ⚠ AVERTISSEMENT

Cet appareil doit être correctement mis à la terre.

Instructions de mise à la terre

- ▶ L'électroménager est doté d'une fiche à trois broches mise à la terre pour vous protéger contre le danger d'électrocution. La fiche doit être utilisée dans une prise correctement mise à la terre. **NE PAS** enlever ni couper la broche de mise à la terre de la fiche.

**⚠ MISE EN GARDE**

Une mauvaise mise à la terre ou une polarisation inversée entraînera un dysfonctionnement, tel que des étincelles continues des allumeurs des brûleurs. Cela peut endommager l'appareil et créer un état de risque d'électrocution.

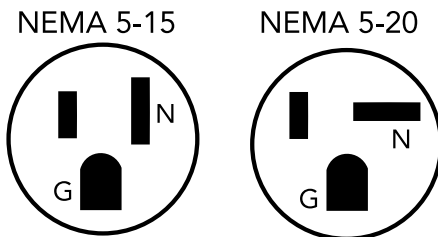
- ▶ Si le circuit dédié n'est pas correctement mis à la terre et polarisé, il est de la responsabilité et de l'obligation de l'installateur et de l'utilisateur de faire remplacer la prise existante par une prise correctement dédiée mise à la terre et polarisée.

- ▶ Ceci doit être accompli conformément à tous les codes et ordonnances locaux applicables par un électricien qualifié. En l'absence de codes et d'ordonnances locaux, le remplacement de la prise doit être conforme au Code national de l'électricité.

**INSTALLATEUR** – Montrer au propriétaire l'emplacement du disjoncteur. Identifiez sa position pour pouvoir le retrouver facilement.

**6.1 Exigences du circuit d'alimentation électrique**

Le cordon d'alimentation fourni avec les cuisinières au gaz dotées d'une plaque électrique exige une prise NEMA 5-20. Tous les autres appareils au gaz utilisent une prise NEMA 5-15.



Modèle	Tension	Circuit dédié	Phase
Pxx305Wx	120 VAC	15 A	Simple
Pxx366Wx	120 VAC	15 A	Simple
Pxx364WDx	120 VAC	20 A	Simple
Pxx364WLx	120 VAC	20 A	Simple
Pxx486WDx	120 VAC	20 A	Simple
Pxx486WLx	120 VAC	20 A	Simple

- Avant de brancher le cordon électrique, vérifiez que toutes les commandes sont à la position OFF (Arrêt).
- Un fil d'alimentation neutre doit être fourni à partir de la source d'alimentation (disjoncteur) car les composants critiques de la cuisinière, y compris les modules de rallumage par étincelle du brûleur de surface, nécessitent qu'il fonctionne correctement et en toute sécurité.
- Tous les modèles de 120 volts doivent être branchés dans une prise de courant à 3 broches avec mise à la terre. La prise doit être connectée à une alimentation électrique correctement mise à la terre et polarisée de 120 VAC, monophasée, 60 Hz.
- Respectez tous les codes et ordonnances en vigueur lors de la mise à la terre. En l'absence de ces codes ou ordonnances, respectez la version actuelle du Code national de l'électricité ANSI/NFPA 70 ou la dernière édition du Code canadien de l'électricité, CSA C22.1.

**Connexion du cordon d'alimentation****⚠ AVERTISSEMENT**

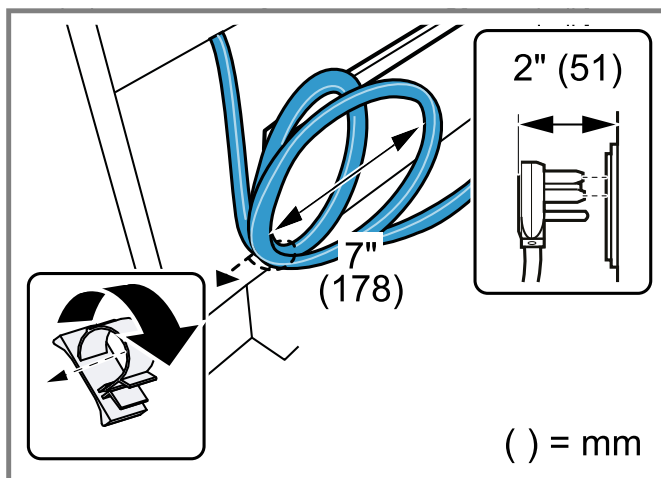
Pour éviter tout risque d'incendie ou d'électrocution :

- ▶ Ne laissez pas le cordon d'alimentation passer sous la cuisinière pendant que vous placez l'appareil dans sa position permanente.
- ▶ Le cordon d'alimentation peut se déloger sous le produit, l'exposant à des températures élevées qui peuvent faire fondre le cordon d'alimentation.
- ▶ Suivez attentivement les instructions.

**Retenir le cordon d'alimentation**

1. Enroulez le cordon d'alimentation dans deux boucles d'environ 178 mm de diamètre chacune derrière l'appareil.
2. En bas à gauche, acheminez le cordon d'alimentation à travers le clip autobloquant.

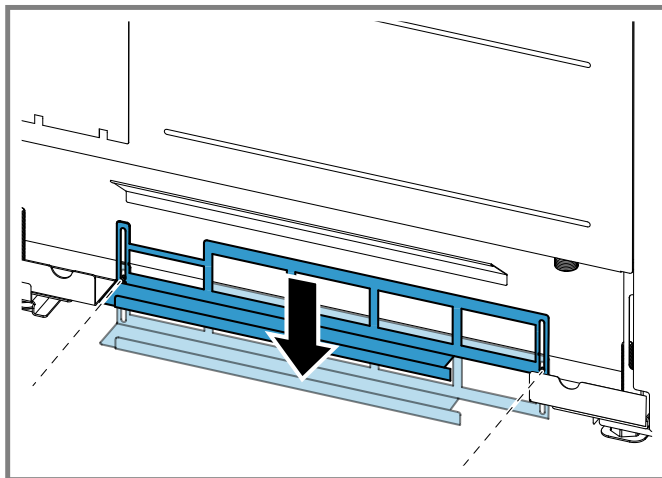
3. Avant de placer l'appareil à son emplacement final, assurez-vous qu'il y a suffisamment de jeu pour permettre au cordon d'atteindre la prise de courant, environ 28 po - 30 po (711 - 762 mm).



**Remarque :** Les styles de prise peuvent varier.

### Réglage de la protection du cordon d'alimentation — modèles Pro Grand® 36 po et 48 po

1. À la base de la cuisinière, desserrez les deux (2) vis à tête en étoile T-20 fixant le protège-cordon d'alimentation.
2. Faites glisser la protection du cordon d'alimentation vers le bas, comme illustré ci-dessous, et resserrez les vis. Cela empêchera davantage le cordon d'alimentation de pénétrer dans la zone sous la base de la cuisinière.



## 7 Exigences électriques et connexion pour les modèles BI-CARBURANT et INDUCTION

Les cuisinières sont à brancher sur une alimentation 240/208 VAC.

### ⚠ AVERTISSEMENT

Une alimentation électrique 240/208 VCA inappropriée entraînera un dysfonctionnement, endommagera cet appareil et créera éventuellement un état de risque d'électrocution.

Si le circuit d'alimentation électrique correct n'est pas fourni, il est de la responsabilité et de l'obligation de l'installateur et de l'utilisateur d'avoir une alimentation électrique appropriée connectée.

- ▶ Ceci doit être accompli conformément à tous les codes et ordonnances locaux applicables par un électricien qualifié. Il est de la responsabilité de l'installateur de s'assurer de la conformité aux codes locaux. En l'absence de codes et d'ordonnances locaux, la connexion à l'alimentation électrique doit être conforme au Code national de l'électricité.

Cet appareil doit être correctement mis à la terre.

Avant l'installation, couper l'alimentation au panneau de service.

- ▶ Verrouiller le panneau de service pour empêcher que l'alimentation ne soit rétablie par accident.

### ⚠ AVERTISSEMENT

Débranchez toujours l'appareil de l'alimentation électrique en débranchant le cordon d'alimentation ou en fermant le disjoncteur au niveau du panneau de service avant de procéder à l'entretien de l'appareil.

- Les installations électriques et la mise à la terre doivent être conformes à tous les codes et ordonnances locaux et/ou au Code national de l'électricité, selon le cas.
- Un fil d'alimentation neutre doit être fourni à partir de la source d'alimentation (disjoncteur) car les composants critiques de la plage l'exigent pour fonctionner correctement et en toute sécurité.

### Circuit dédié requis

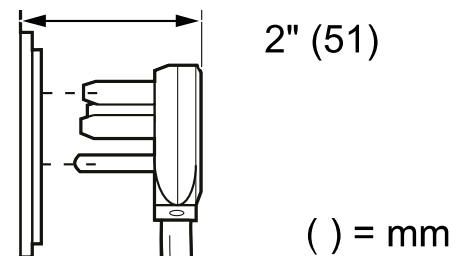
Modèles	Tension	É.-U.	Canada	Fréquence	Phase
Toutes les cuisinières à double four et à induction	240/208	50 AMP	50 AMP	60 Hz.	Simple
Toutes les cuisinières à four unique sans induction sauf PRD364WIGx	240/208	30 AMP	40 AMP	60 Hz.	Simple
PRD364WIGx	240/208	40 AMP	40 AMP	60 Hz.	Simple

### 7.1 Préparation à la connexion électrique

#### ⚠ AVERTISSEMENT

Risque d'électrocution ou de feu. La mise à la terre via le conducteur neutre est interdite pour les nouvelles installations de circuit de dérivation (NEC 1996), les

- Fixez solidement la prise de courant à un montant de cloison puis scellez autour du boîtier de la prise.
- Respectez tous les codes et ordonnances en vigueur lors de la mise à la terre. En l'absence de ces codes ou ordonnances, respectez la version actuelle du Code national de l'électricité ANSI/NFPA 70. Voir les informations suivantes dans cette section pour la méthode de mise à la terre.
- Les schémas de câblage électrique et les schémas ont été placés dans la zone du panneau de plinthe de la cuisinière pour qu'un technicien de service qualifié y ait accès. → Page 50
- Les modèles Double carburant doivent être connectés à l'alimentation électrique en utilisant l'une des méthodes décrites. Pour toutes les méthodes de connexion, la longueur du cordon ou du conduit/câblage doit permettre à l'appareil d'être complètement glissé hors de l'armoire sans avoir à débrancher ou déconnecter l'appareil de l'alimentation électrique.
- La longueur libre minimale recommandée de cordon ou de conduit est de 4 pi (1,2 m).
- Lors de l'utilisation d'une prise de courant, il s'avère parfois nécessaire d'encaster le boîtier dans le mur arrière. Consultez le code électrique local pour déterminer le volume minimum pour toutes les boîtes électriques/de jonction. Respectez tous les codes et règlements locaux et/ou le Code national de l'électricité, le cas échéant.



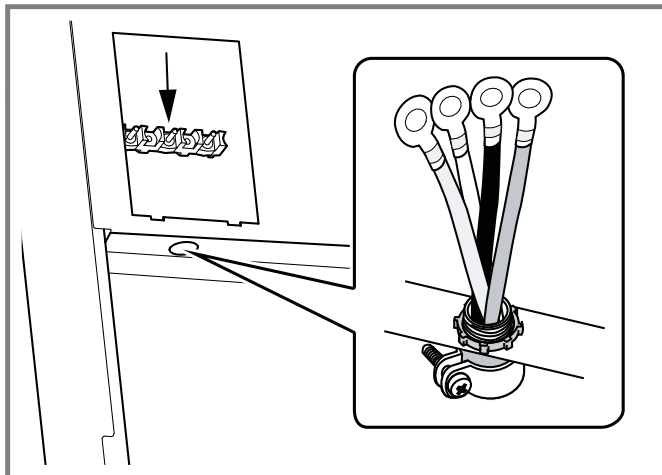
caravanes et les véhicules récréatifs, ou dans une zone où les codes locaux interdisent la mise à la terre via le conducteur neutre.

## 7.2 Installation d'une connexion à quatre fils

### Exigence

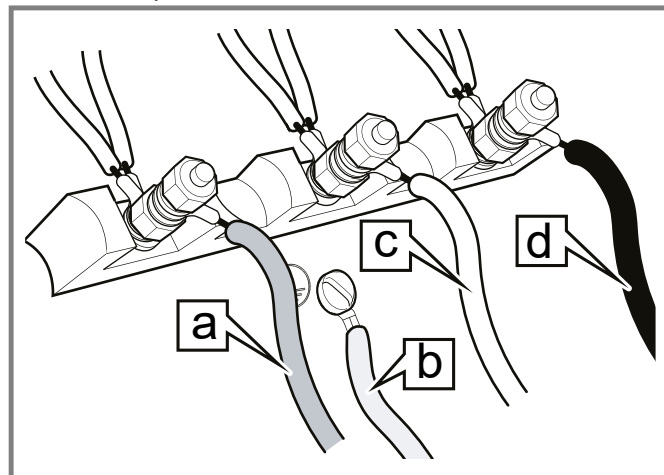
- Cet appareil doit être connecté à un circuit dédié (voir circuit dédié requis). → Page 48
- Cet appareil doit être connecté à l'alimentation électrique avec une trousse de cordon homologué (UL, CSA, ...), 3 POLES, 4 CONDUCTEURS évalué à 250 VOLTS, 50 AMPÈRES et marqué pour une utilisation avec des cuisinières.
- Il est de la responsabilité de l'installateur de fournir les composants de câblage appropriés (cordon, fils, etc.) et d'effectuer le raccordement électrique conformément aux codes et ordonnances locaux et/ou au Code national de l'électricité.
- La trousse de cordon doit être fixé au bornier de la cuisinière avec un serre-câble qui s'adaptera à un trou de 1 po (25,4 mm) de diamètre.
- S'il n'est pas déjà équipé, le cordon doit également avoir des cosses faston à boucle fermée de ¼ po (6 mm) fixées aux extrémités libres des conducteurs individuels.

1. Débranchez l'alimentation électrique au niveau du boîtier des disjoncteurs.
2. Localisez le bornier à l'arrière de l'appareil et retirez le couvercle.
3. Retirez uniquement les écrous supérieurs des goujons du bornier. NE PAS retirer les écrous inférieurs qui fixent les fils de câblage internes de la cuisinière.
4. Le cas échéant, débranchez le cordon d'alimentation à 4 fils de l'appareil.
5. Montez le réducteur de tension dans le trou de 1 po (25,4 mm) de diamètre du panneau arrière situé sous le bornier. Acheminez les fils vers le haut à travers le serre-câble.



6. Retirez la vis de terre verte et la rondelle dentelée situées sous le bornier.
7. Fixez le fil blanc neutre du circuit d'alimentation au goujon central du bornier avec un écrou.
8. Fixez les fils d'alimentation L2 (rouge) et L1 (noir) aux bornes extérieures (couleur laiton) avec des écrous.

9. Fixez le fil de terre vert au châssis de la cuisinière à l'aide de la vis de terre verte et de la rondelle dentelée. Assurez-vous que les bornes de neutre et de terre ne se touchent pas.



a	Rouge / L2
b	Vert / mise à la terre
c	Blanc / neutre
d	Noir / L1

11. Serrez bien toutes les connexions et tous les écrous, y compris les écrous inférieurs.
12. Réinstallez le couvercle du bornier.

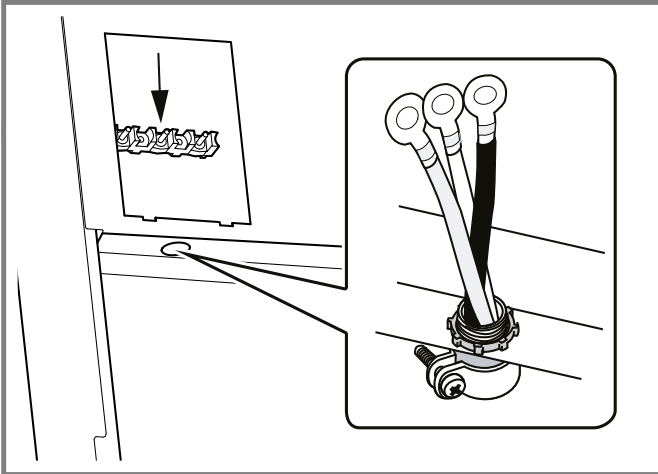
## 7.3 Installation d'une connexion à trois fils

### Exigence

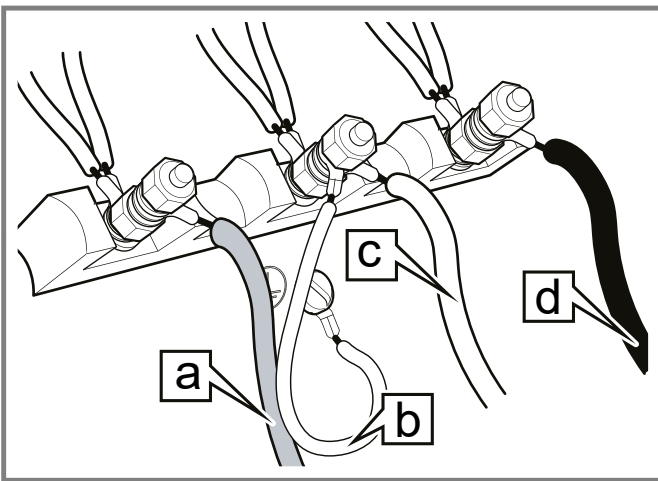
- Cet appareil doit être connecté à un circuit dédié (voir circuit dédié requis). → Page 48
- Lorsque les codes et ordonnances locaux autorisent la mise à la terre via le neutre et que la conversion de l'alimentation en 4 fils n'est pas pratique, l'appareil peut être connecté à l'alimentation électrique avec un cordon homologué (UL, CSA, ...) une trousse à 3 PÔLES, 3 CONDUCTEURS évalué à 250 VOLTS, CIRCUIT DÉDIÉ DE 50 AMPÈRES et marqué pour une utilisation avec des cuisinières.
- Il est de la responsabilité de l'installateur de fournir les composants de câblage appropriés (cordon, fils, etc.) et d'effectuer le raccordement électrique conformément aux codes et ordonnances locaux et/ou au Code national de l'électricité.
- La trousse de cordon doit être fixé au bornier de la cuisinière avec un serre-câble qui s'adaptera à un trou de 1 po (25,4 mm) de diamètre.
- S'il n'est pas déjà équipé, le cordon doit également avoir des cosses faston à boucle fermée de ¼ po (6 mm) fixées aux extrémités libres des conducteurs individuels.

1. Débranchez l'alimentation électrique au niveau du boîtier des disjoncteurs.
2. Localisez le petit sac avec le fil de raccordement blanc situé dans le paquet de documentation.

3. Localisez le bornier à l'arrière de l'appareil et retirez le couvercle.
4. Retirez uniquement les écrous supérieurs des goujons du bornier. NE PAS retirer les écrous inférieurs qui fixent les fils de câblage internes de la cuisinière.
5. Le cas échéant, débranchez le cordon d'alimentation à 4 fils de l'appareil.
6. Montez le réducteur de tension dans le trou de 1 po (25,4 mm) de diamètre du panneau arrière situé sous le bornier. Acheminez les fils vers le haut à travers le serre-câble.



7. Fixez le fil neutre mis à la terre du circuit d'alimentation au goujon central (de couleur argentée) du bornier.
8. Fixez les fils d'alimentation L2 (rouge) et L1 (noir) aux bornes extérieures (couleur laiton) avec des écrous.
9. Retirez la vis de terre verte et la rondelle dentelée situées sous le bornier. Vissez une extrémité du fil de raccordement blanc inclus au châssis sous le bornier avec la vis de mise à la terre verte. Fixez l'autre extrémité du fil au goujon central du bornier avec un écrou.

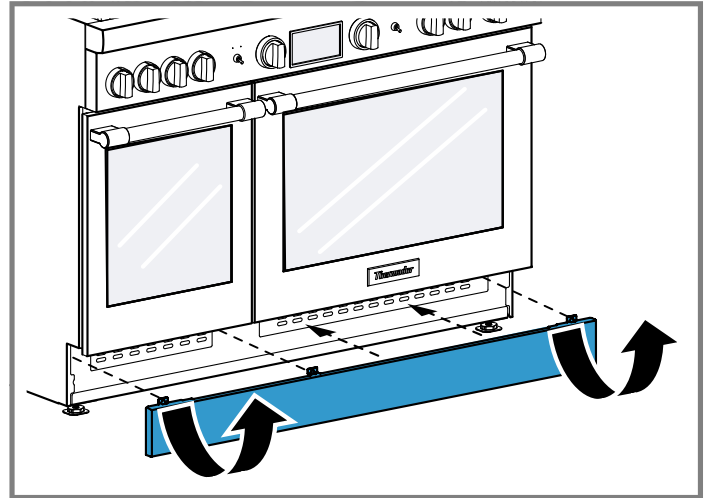


- |   |  |
|---|--|
| a | Rouge / L2   |
| b | Fil de raccordement blanc de liaison à la terre fourni dans un petit sac |
| c | Blanc / neutre   |
| d | Noir / L1  |

10. Serrez bien toutes les connexions et tous les écrous, y compris les écrous inférieurs.
11. Réinstallez le couvercle du bornier.

## 7.4 Diagrammes et schémas de câblage électrique

Les diagrammes et schémas de câblage électrique sont fixés derrière le panneau de plinthe et ne doivent être retirés que par un technicien de service, puis remis en place après l'entretien.



## 8 Procédure d'installation

### 8.1 Installation du dossieret bas (acheté séparément)

Les méthodes d'installation varient selon les besoins. Lisez attentivement les présentes directives avant de commencer. Respectez tous les codes et ordonnances locaux.

#### ⚠ AVERTISSEMENT

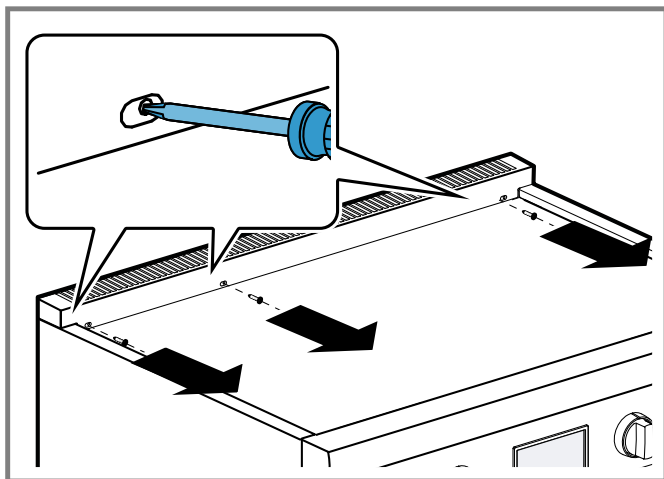
Les doigts ou les mains pourraient se pincer lors de l'installation du protecteur arrière. Des blessures graves pourraient en résulter.

- ▶ Faites preuve d'une extrême prudence et porter des gants de protection épais pour éviter toute lacération du doigt ou de la main tout en faisant glisser la protection arrière sur la cuisinière.

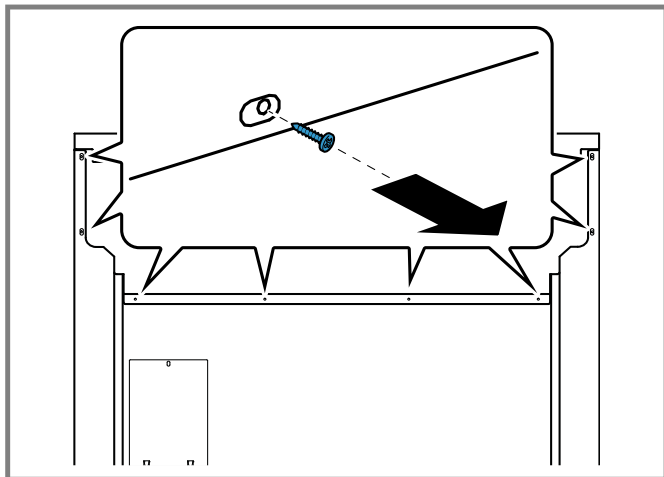
#### ⚠ AVERTISSEMENT

Pour réduire le risque d'incendie ou de blessure, assurez-vous que tous les emballages ont été retirés des appareils accessoires avant utilisation.

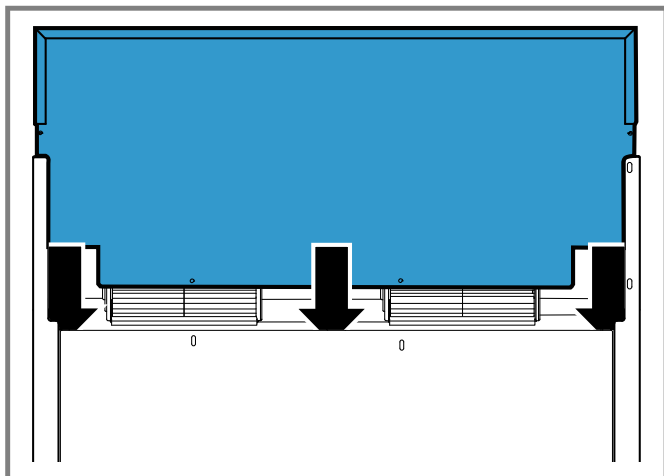
1. Retirez les vis à tête étoilée T-20 sur la face avant de la garniture d'îlot incluse.



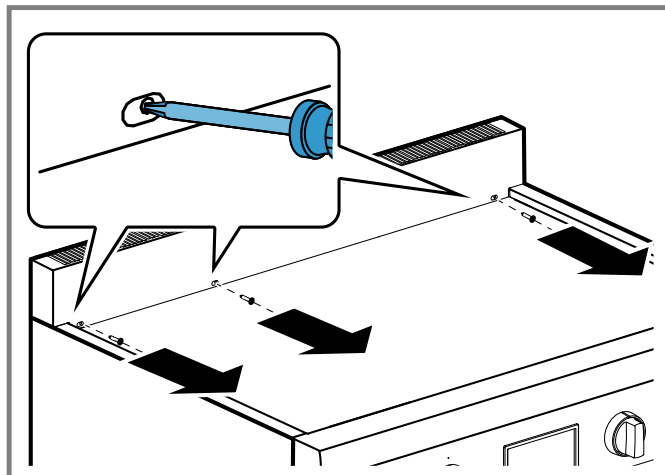
2. Retirez les vis à tête étoilée T-20 fixant la garniture aux panneaux latéraux et les vis à tête étoilée T-20 fixant la pièce au panneau arrière. Soulevez pour retirer complètement.



3. Alignez le panneau arrière du nouvel accessoire avec les rebords des coins arrière droit et gauche du panneau latéral de la cuisinière. Le dossieret est inséré à l'intérieur des canaux de guidage à l'arrière de la cuisinière.



4. Assurez-vous que la face avant du dossieret est à l'extérieur de la bride sur le devant de la cuisinière.  
5. Réinstallez les vis retirées précédemment.



## 8.2 Placer la cuisinière

### ⚠ MISE EN GARDE

Le bloc est lourd et nécessite au moins deux personnes ou bien un équipement approprié pour le déplacement. Il est recommandé de porter des vêtements de protection pendant le processus de levage.

- ▶ Portez des gants et des manches longues pour protéger les mains et les avant-bras de l'abrasion et des rayures potentielles.
- ▶ Enlevez montres et bijoux.
- ▶ Portez des chaussures de travail pour protéger vos pieds.

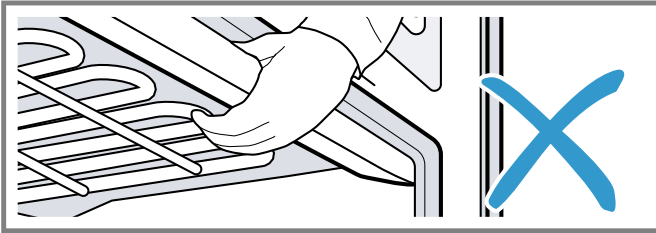
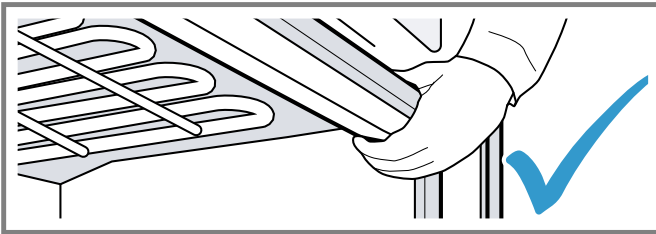
### AVIS :

Pour éviter tout risque d'endommagement de la porte du four, ne soulevez, ne poussez ou ne tirez pas la cuisinière en la tenant par la poignée de la porte.

**Exigence :** Vous avez retiré la porte du four.

1. **⚠ MISE EN GARDE NE PAS** essayer de soulever l'appareil en tenant l'élément chauffant supérieur du four.

Soulevez la cuisinière hors de la base de l'emballage. Accédez à l'intérieur du haut de la cavité du four pour localiser une zone striée près de l'avant du four.



2. Assurez-vous que le disjoncteur est désactivé, puis branchez le cordon de la cuisinière dans la prise électrique.
3. Protégez le sol et les armoires.
4. Faites glisser la cuisinière dans l'ouverture. Veillez à ne pas endommager les comptoirs, les planchers ou la façade du tiroir réchaud. N'appliquez pas de pression sur la table de cuisson lorsque vous faites glisser la cuisinière en position.
5. Installez la porte du four.
6. Vérifiez l'installation correcte.

### 8.3 Réglage des pieds de nivellement

Pour des performances correctes, la cuisinière doit être de niveau. La priorité doit être de s'assurer que la cavité du four est également de niveau pour des performances de cuisson optimales.

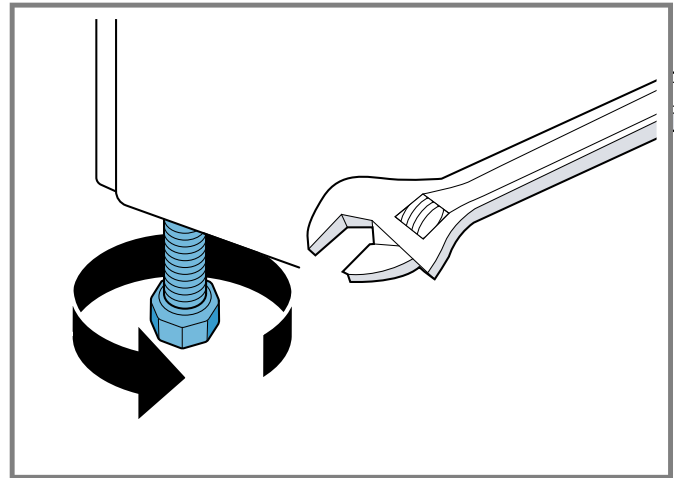
#### AVIS :

Les bords supérieurs des panneaux latéraux de la cuisinière doivent être au même niveau ou plus haut que le comptoir adjacent.

- ▶ NE PAS faire fonctionner la cuisinière si les côtés sont plus bas que l'armoire adjacente. Si la cuisinière est utilisée alors qu'elle est à une hauteur inférieure par rapport à l'armoire adjacente, l'armoire pourrait être exposée à des températures excessives, causant des dommages à l'armoire et au comptoir.

1. Retirez le revêtement de protection en plastique des parois latérales.
2. Alignez la cuisinière devant l'ouverture.
3. Mesurez d'abord la hauteur du comptoir avec un ruban à mesurer et ajoutez 1/16 po - 1/8 po (2-3 mm) supplémentaires.

4. Faites pivoter les pieds à l'aide d'une clé à molette de 12 po (305 mm) sur les côtés plats de chaque pied.



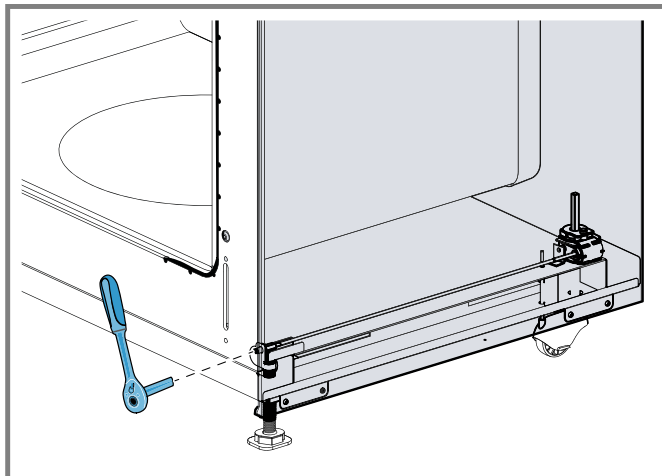
5. Les pieds de mise à niveau doivent être réglés de manière à ce que les côtés de la cuisinière soient au même niveau ou plus haut que l'armoire adjacente. Ajustez les pieds en conséquence avant de repousser la cuisinière à son emplacement final.

Il peut être nécessaire de repositionner le cordon électrique lorsque la cuisinière est repoussée à sa position finale. Cela peut être accompli en tirant avec précaution sur une corde ou une ficelle enroulée autour de la ligne d'alimentation électrique lorsque la cuisinière est repoussée dans sa position d'installation finale.

6. Lorsque la cuisinière est déplacée dans sa position d'installation finale, vérifiez que le support anti-basculement est en mesure d'engager la cuisinière.
  - Regardez sous la cuisinière pour vérifier que les deux pattes arrière reposent solidement sur le sol.
  - Vérifiez qu'un pied de la cuisinière est retenu par le support anti-basculement.

### Réglage des pattes de nivellement pour les modèles 60 po

1. Les réglages de hauteur des deux pattes de roulette arrière se font en tournant la douille de 5/16" po située derrière le châssis avant.



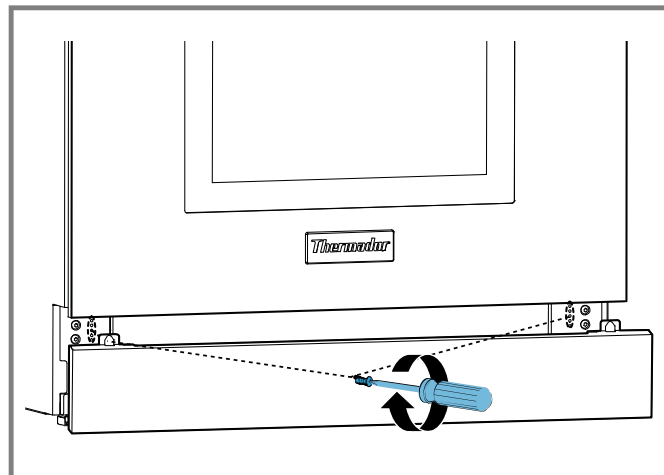
- Le sens de rotation de la douille dépendra du côté de l'appareil électroménager en cours d'ajustement.
- Les portes du four doivent être démontées pour accéder à la douille de mise à niveau des roues arrière (voir « Démontage et réglage des portes »). Il faut ouvrir le tiroir-réchaud pour accéder à la douille de la roulette de gauche des modèles avec tiroir-réchaud.

2. Les ajustements finaux de la hauteur sont effectués après l'installation de la cuisinière. Ajustez la hauteur des deux pattes avant pour bien aligner la cuisinière avec le dessus de comptoir.
3. Abaissez le pied de nivellement du centre de l'appareil pour aider à soutenir le poids de l'électroménager.

### 8.4 Réglage du panneau de la bordure inférieure de protection - modèles Pro Harmony®

1. Retirez les vis du panneau de la bordure de inférieure de protection à l'aide d'un tournevis cruciforme T-20.

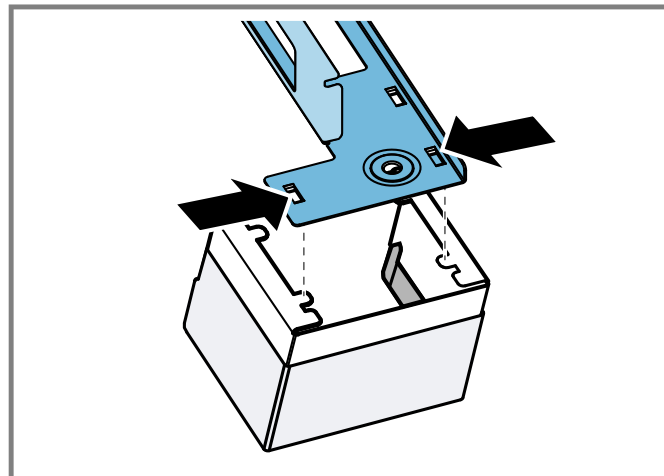
2. Déplacez le panneau de bordure de protection inférieure à l'une des cinq positions de trou de vis. Réinstallez la vis à tête étoilée.



3. Répétez avec les vis restantes du panneau de bordure de protection inférieure, en vous assurant que le panneau de coup-de-pied est de niveau. Le panneau de bordure de protection inférieure doit maintenir un dégagement minimum de 1/2 po (12,7 mm) au-dessus du sol.

### 8.5 Installation des couvre-pieds - modèles Pro Grand®

1. Retirez les revêtements en plastique des couvercles en acier inoxydable.
2. Sous la cuisinière, enroulez le couvre-pied autour du pied. Insérez les languettes du couvre-pieds dans les fentes des languettes, comme illustré.



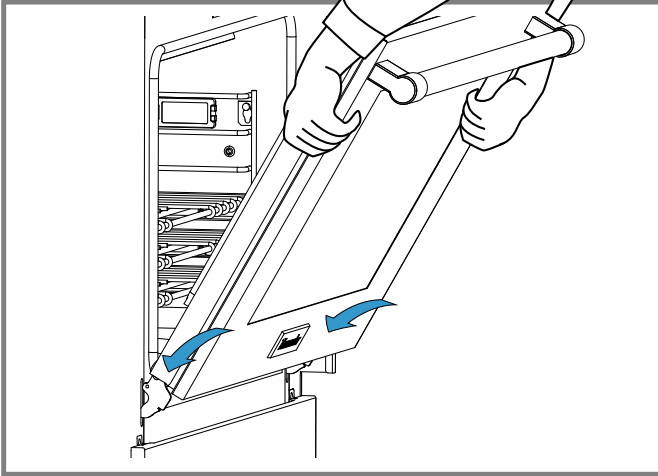
3. Répétez l'opération pour toutes les pieds visibles.

**Conseil :** Si des couvre-pieds supplémentaires sont nécessaires, vous pouvez les commander auprès du service à la clientèle en appelant 1-800-735-4328 gratuitement jusqu'à un an après la date d'achat de l'appareil.

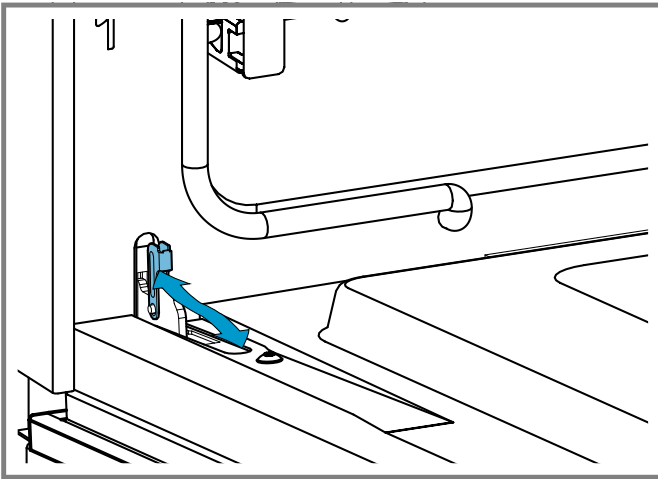
### 8.6 Réinstallation de la porte du four

1. Maintenir fermement la porte des deux mains.

2. Tenir la porte à près de 30 degrés par rapport à la position fermée. Insérer les charnières au centre dans les fentes à cet effet. Lorsque bien installées, les charnières s'accrochent solidement dans les fentes. **NE PAS** exercer de force sur la porte, ni la plier ou la tordre.



3. Ouvrir la porte au maximum pour exposer les charnières, les leviers et les fentes.
4. Retournez la charnière jusqu'à ce qu'elle repose sur le support. Un tournevis peut être nécessaire pour pousser délicatement le clip.

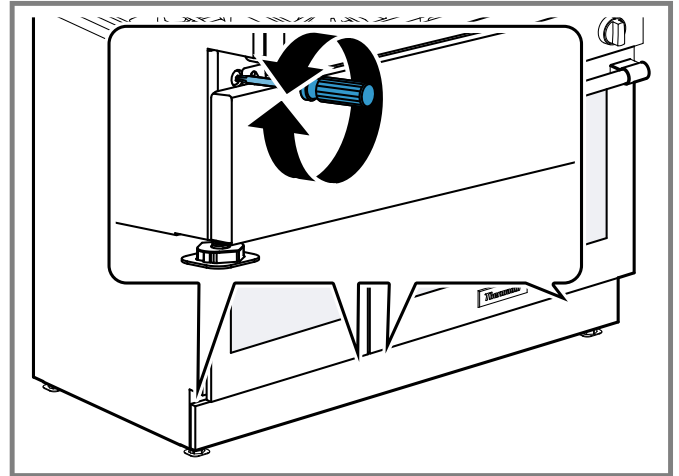


5. Fermer et ouvrir la porte lentement pour s'assurer qu'elle est correctement et solidement installée.

### Vérification de l'ajustement et du réglage de la porte

1. Ouvrez et fermez la porte lentement pour tester le mouvement et l'ajustement de la porte à la cavité du four. **NES PAS** forcer la porte à s'ouvrir ou à se fermer. Si la porte est correctement installée, elle doit se déplacer en douceur et reposer directement sur le devant de la cuisinière lorsqu'elle est fermée.
2. La cuisinière doit être de niveau pour un bon alignement des portes du four. Reportez-vous à la section sur le réglage des pieds de nivellement.

3. Vérifiez que les charnières sont correctement insérées dans les fentes de charnière et que les clips de charnière sont complètement engagés dans les fentes.
4. Si la porte ou la poignée semble légèrement inclinée :
  - Faites tourner la grande vis à tête étoile située directement au-dessus du récepteur de charnière avec un tournevis à tête étoile T-30. Tournez chaque vis respectivement sur le côté et dans la direction dans laquelle la porte doit être ajustée.



**Remarque :** La porte du four à vapeur n'est pas réglable

### 8.7 Placement du chapeau du brûleur

Il faut que les chapeaux de brûleurs soient correctement positionnés pour le bon fonctionnement de la table de cuisson.

Si le chapeau du brûleur n'est pas correctement placé, une ou plusieurs des situations suivantes peuvent se produire :

- La flamme du brûleur est trop élevée
- Des flammes jaillissent des brûleurs
- Décolorations de l'acier inoxydable
- Les brûleurs ne s'allument pas
- La flamme du brûleur n'est pas uniforme
- Une odeur de gaz se dégage du brûleur

#### ⚠ AVERTISSEMENT

Pour éviter des flambées, ne pas utiliser la table de cuisson sans tous les chapeaux de brûleurs en place et toutes les grilles de brûleur bien positionnées.

#### ⚠ MISE EN GARDE

Pour éviter les brûlures, ne pas toucher aux chapeaux de brûleur ni aux grilles quand ils sont chauds.

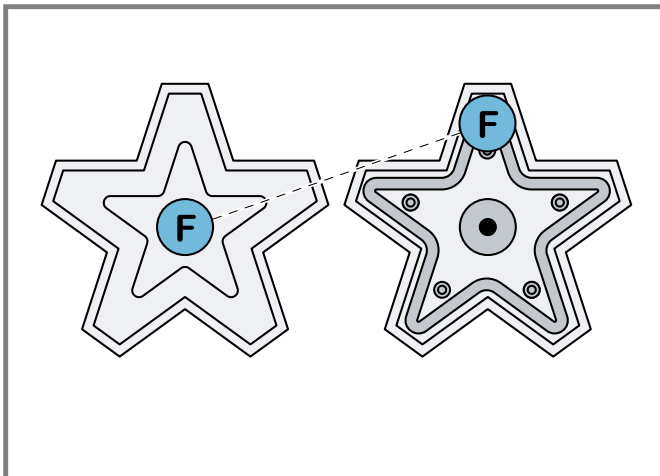
- ▶ Éteindre la table de cuisson et laisser les brûleurs refroidir.

Votre table de cuisson est équipée de brûleurs Star® scellés. Il n'y a aucune pièce de brûleur sous la cuisinière à nettoyer, démonter ou régler.

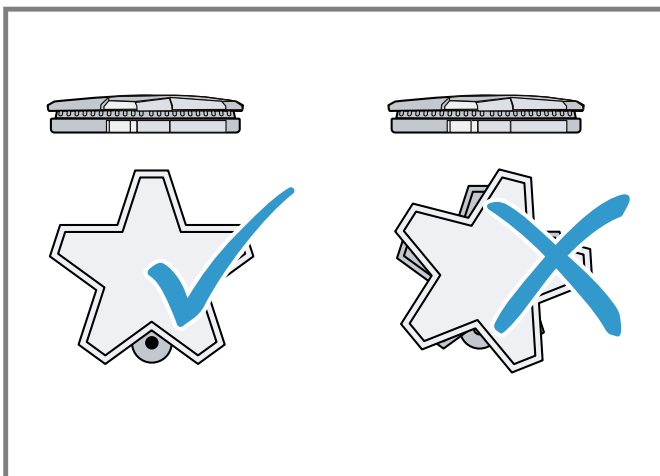
## Placement des chapeaux de brûleur

Une lettre (B, D ou F) est moulée sous chacun des chapeaux de brûleur et correspond à une lettre moulée dans la base du brûleur (B, D ou F) fixée à l'appareil électroménager.

1. Déposer chaque chapeau de brûleur sur sa base correspondante selon la lettre moulée.



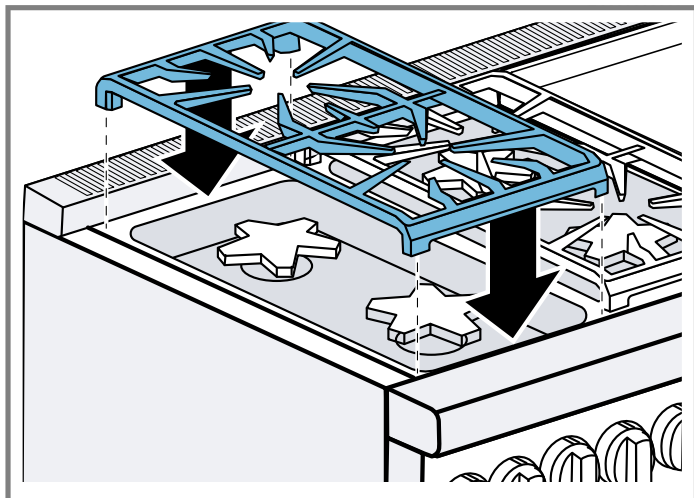
2. Déposer délicatement le chapeau de brûleur sur le dessus de la base de sorte que les pattes de la base soient bien ajustées dans la goulotte du chapeau du brûleur.
3. Vérifiez chaque brûleur pour vous assurer qu'il n'y a pas d'espace entre le chapeau du brûleur et la base du brûleur.
  - Doucement essayer de déplacer les chapeaux de brûleur d'un côté à l'autre pour vérifier si les chapeaux sont correctement placés sur les bases des brûleurs.
  - Lorsqu'il est correctement placé, chaque capuchon de brûleur repose à plat sur le dessus de sa base de brûleur et recouvre complètement la forme en étoile de la base du brûleur lorsqu'il est vu du dessus.



## 8.8 Placer les grilles de brûleur

Pour une combustion correcte, n'utilisez pas la table de cuisson sans les grilles du brûleur en place.

1. Placez les grilles de brûleur à plat vers le bas et alignez-les dans le renforcement de la cuisinière.
2. Les grilles des brûleurs doivent reposer l'une contre l'autre et contre les côtés de l'évidement.



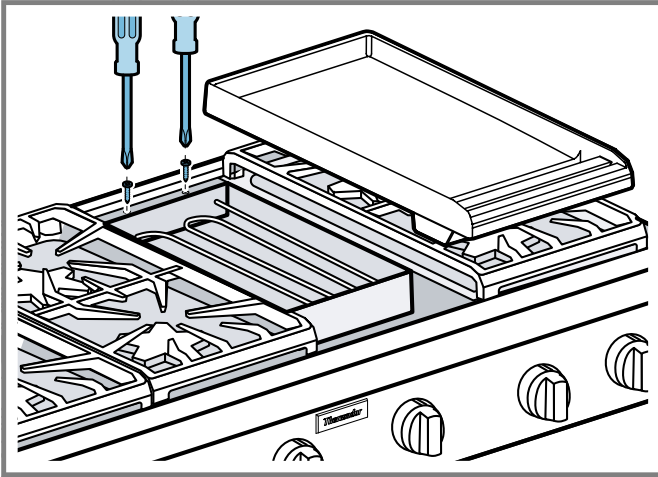
## 8.9 Préparation de la plaque électrique

### ⚠ AVERTISSEMENT

Pour éviter tout risque de blessure, n'utilisez jamais la plaque chauffante sans la plaque chauffante installée.

1. Vérifiez le réglage de la plaque chauffante en versant deux cuillères à soupe d'eau à l'arrière de la plaque chauffante.

2. Si l'eau ne s'écoule pas vers l'avant de la plaque chauffante, la plaque chauffante doit être ajustée.
- Soulevez la plaque chauffante.
  - Ajustez les deux vis sous l'arrière de la plaque chauffante. Commencez par un demi-tour dans le sens antihoraire des vis.
  - Remplacez la plaque chauffante et vérifiez le résultat.
  - Pour un réglage supplémentaire, appliquez un quart de tour jusqu'à ce que l'eau s'écoule lentement dans le bac à graisse.



## 9 Opération d'essai

Vérifiez si votre appareil fonctionne correctement après avoir terminé les étapes d'installation.

### ⚠ AVERTISSEMENT

Avant de brancher le cordon électrique, vérifiez que toutes les commandes sont à la position OFF (Arrêt).

1. Mettez sous tension au disjoncteur.
  - ✓ Les paramètres de base s'ouvrent automatiquement.
2. Sélectionnez un paramètre avec la gauche < ou >.
3. Changez l'option souhaitée avec la droite < ou >.
4. Appuyez sur **ENTER** pour confirmer la sélection ou **SETTINGS** pour annuler les modifications.
  - ✓ L'affichage passe en mode veille.
5. Pour tester le four, sélectionnez le mode **BAKE**. Reportez-vous au manuel d'utilisation pour obtenir des instructions d'utilisation détaillées.
6. Vérifiez que l'éclairage du four s'allume et que le four se met à préchauffer.
7. Pour tester le verrouillage de la porte, sélectionnez le mode **SELF CLEAN**. Confirmez que la porte se verrouille lorsque l'icône de verrouillage s'affiche à l'écran.

### 9.2 Caractéristiques de la flamme

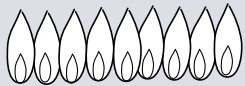
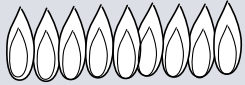
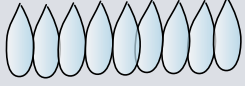
La couleur de la flamme vous indique si l'alimentation en gaz est correctement réglée.

**Remarque :** Laisser l'appareil fonctionner pendant 4 à 5 minutes avant d'évaluer la flamme. Des stries jaunes sont normales lors de la première mise en service.

### 9.1 Test des brûleurs de cuisinière

Chaque brûleur doit être testé pour un éclairage approprié et des caractéristiques de flamme appropriées au niveau de puissance le plus bas et le plus élevé.

1. Testez tous les brûleurs de la cuisinière pour un allumage correct.
  - Appuyez sur le bouton et tournez-le dans le sens inverse des aiguilles d'une montre jusqu'au symbole d'allumage ⚡.
  - Vérifiez que l'allumeur / module d'étincelle clique.
  - Une fois que l'air a été purgé des conduites d'alimentation, vérifiez que le brûleur s'allume dans les quatre (4) secondes. Lorsque le brûleur s'allume, remettez le bouton en position d'arrêt.
  - Si l'un des brûleurs ne s'allume pas, ne poursuivez pas le test. Communiquez avec le Service après-vente.
2. Testez tous les brûleurs de la cuisinière pour les caractéristiques de la flamme sur le réglage le plus bas.
  - Appuyez sur le bouton et tournez-le dans le sens inverse des aiguilles d'une montre jusqu'au symbole d'allumage ⚡. Maintenez-le enfoncé jusqu'à ce que le brûleur s'allume.
  - Tournez rapidement le bouton sur le réglage le plus bas.
  - Vérifiez que la flamme a une hauteur minimale d'environ 1/4 po (6 mm).
  - Vérifiez que la flamme est stable. La flamme ne doit pas s'éteindre, se soulever ou se détacher du brûleur. Il doit se propager ou entourer tout le brûleur.
  - Vérifiez que la flamme est de la bonne couleur.
    - "Caractéristiques de la flamme", Page 56
  - Si la flamme s'éteint, ne se propage pas correctement ou est trop grande, contactez le service client.
3. Testez tous les brûleurs de cuisinière pour les caractéristiques de la flamme sur le réglage le plus élevé.
  - Appuyez sur le bouton et tournez-le dans le sens inverse des aiguilles d'une montre jusqu'au symbole d'allumage ⚡. Maintenez-le enfoncé jusqu'à ce que le brûleur s'allume.
  - Tournez le bouton sur le réglage le plus élevé.
  - Vérifiez que la flamme est stable. La flamme ne doit pas s'éteindre, se soulever ou se détacher du brûleur. Il doit se propager ou entourer tout le brûleur.
  - Vérifiez que la flamme est de la bonne couleur.
    - "Caractéristiques de la flamme", Page 56
  - Si la flamme brûle en jaune ou ne se propage pas correctement, contactez le service à la clientèle.

Flamme	Image	Mesure
Complètement ou principalement jaune		Vérifiez que le régulateur est réglé pour le bon carburant. Recommencez le test après le réglage.
Pointes jaunes sur les cônes extérieurs :		Normales pour un gaz de pétrole liquéfié
Bleu doux		Normales pour le gaz naturel

## 10 Liste de contrôle de l'installateur

Dernière vérification.

- Dégagements spécifiés maintenus avec les surfaces des armoires.
- Au niveau de l'unité – d'avant en arrière – d'un côté à l'autre.
- Les chapeaux des brûleurs sont correctement positionnés sur les bases des brûleurs.
- Tout le matériel d'emballage retiré.
- Panneau de protection inférieur en place et vis sécurisées.
- Vérifiez la flamme à chaque brûleur. La flamme peut avoir besoin de brûler pendant plusieurs minutes pour éliminer les impuretés des conduites de gaz.
- Vérifiez que la fonction ExtraLow® fonctionne et se rallume autour de l'ensemble du brûleur.
- INSTALLATEUR : Remettez la notice d'instructions Home Connect® au propriétaire de l'appareil. Pour optimiser le plein potentiel des fonctionnalités de l'appareil électroménager, le propriétaire devrait télécharger l'appli Home Connect® (Amérique) sur son appareil intelligent et appairer l'appareil électroménager avec le dispositif Wi-Fi de la maison. (Ne s'applique pas aux modèles de cuisinières de 30 po.)

### Approvisionnement en gaz

- Connexion de gaz : 3/4 po (19 mm) N.P.T. avec une conduite flexible de 3/4 po (19 mm) de diamètre minimum.
- L'appareil est raccordé uniquement au type de gaz pour lequel il est certifié pour une utilisation.
- Robinet d'arrêt manuel du gaz installé dans un endroit accessible (sans qu'il soit nécessaire de retirer la cuisinière).
- Le propriétaire connaît l'emplacement de la vanne d'arrêt du gaz.
- Unité testée et exempte de fuites de gaz.

- En cas d'utilisation au gaz propane, vérifier que l'alimentation en gaz propane est équipée de son propre régulateur haute pression en plus du régulateur de pression fourni avec l'appareil.
- La pression d'alimentation en gaz ne dépasse pas 14 po W.C. (34,9 mbar).
- Reportez-vous au manuel pour plus d'informations sur le nettoyage et la protection des surfaces extérieures.

### Électrique

- Prise de courant avec protection de surtension fournie pour le branchement du cordon d'alimentation.
- Connexion de mise à la terre appropriée.
- Le propriétaire sait où se trouve le disjoncteur principal.

### Fonctionnement

- Les cadres sont centrés sur les boutons des brûleurs et les boutons tournent librement.
- Chaque brûleur s'allume de manière satisfaisante, à la fois individuellement et avec d'autres brûleurs en fonctionnement.
- Les charnières de la porte du four sont bien en place et les charnières se verrouillent dans la bonne position. La poignée et la porte du four sont de niveau et centrées. La porte s'ouvre et se ferme correctement.
- Les grilles des brûleurs sont correctement positionnées, de niveau et ne basculent pas.
- INSTALLATEUR : Notez le numéro de modèle et le numéro de série dans le manuel. Laissez le manuel et manuel d'installation avec le propriétaire de l'appareil.

### Dépannage

Voir le manuel pour obtenir des informations de dépannage.

## 11 Service à la clientèle

Lors de toute réparation réalisée dans le cadre de la garantie, nous nous assurons que votre appareil est réparé avec des pièces de rechange d'origine par un technicien dûment formé et agréé. Nous utilisons exclusivement des pièces de rechange d'origine lors des réparations.

Pour plus d'informations sur la durée et les conditions de la garantie dans votre pays, consultez nos modalités de garantie auprès de votre détaillant ou sur notre site Web. Si vous contactez le service à la clientèle, indiquez le numéro de modèle (E-Nr.) et le numéro de fabrication (FD) de l'appareil.

USA:

1-800-735-4328

[www.thermador.com/support](http://www.thermador.com/support)

[www.thermador.com/us/accessories](http://www.thermador.com/us/accessories)

CA:

1-800-735-4328

[www.thermador.ca](http://www.thermador.ca)

[www.thermador.ca/fr/soutien/filtres-nettoyants-accessoires](http://www.thermador.ca/fr/soutien/filtres-nettoyants-accessoires)

Vous trouverez également de l'aide pour contacter

Home Connect® à l'adresse suivante :

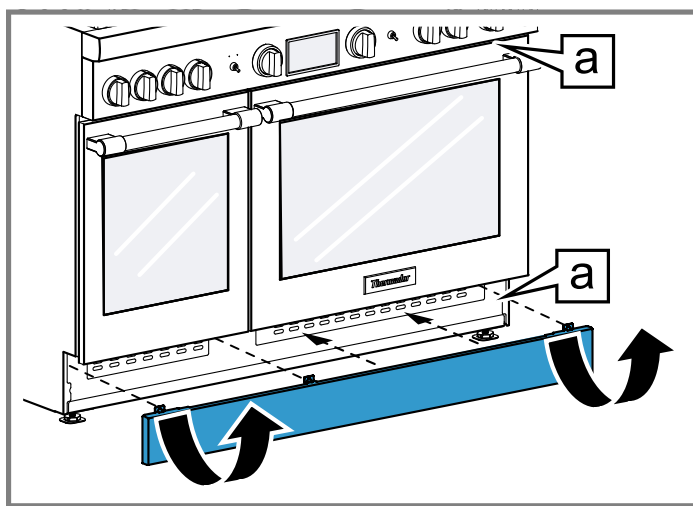
[www.home-connect.com/us/en/help-support/set-up](http://www.home-connect.com/us/en/help-support/set-up)

### 11.1 Numéro de modèle (E-Nr.) et numéro de fabrication (FD)

Le numéro de modèle (E-Nr.) et le numéro de fabrication (FD) sont indiqués sur la plaque signalétique de l'appareil. Pour retrouver rapidement les données de votre appareil et le numéro de téléphone du service à la clientèle, n'hésitez pas à les recopier ailleurs.

### 11.2 Emplacement de la plaque signalétique

Selon votre modèle, les plaques signalétiques sont situées au-dessus du four principal ou derrière la plaque de protection.



**a** Plaque signalétique

## Tabla de contenidos

### 1 INSTRUCCIONES DE SEGURIDAD

#### IMPORTANTES..... 60

1.1 Definiciones de seguridad.....	61
1.2 Instrucciones generales de seguridad.....	61
1.3 Seguridad de manejo del aparato.....	62
1.4 Seguridad eléctrica.....	62
1.5 Seguridad de los aparatos de gas.....	63
1.6 Códigos y normas de seguridad.....	64
1.7 Recomendaciones de ventilación.....	64
1.8 REQUISITOS DE ESPACIO LIBRE.....	65
1.9 Advertencias en virtud de la Proposición 65 del estado de California.....	65

#### 2 Antes de empezar..... 66

2.1 Partes incluidas.....	66
2.2 Herramientas y componentes necesarios.....	66
2.3 Requisitos de potencia y de conexión a tierra.....	66
2.4 Requisitos para la ventilación.....	66

#### 3 Requisitos de instalación..... 67

3.1 Requisitos de ubicación.....	67
3.2 Requisitos eléctricos y de gas.....	70

#### 4 Antes de la instalación..... 71

4.1 Instalar la placa de fijación antivuelco.....	71
4.2 Desembalar y mover el aparato.....	73
4.3 Retirar la puerta del horno.....	73
4.4 Retirar el cajón calentaplatos.....	74

#### 5 Requisitos de gas y conexiones..... 74

5.1 Instalación a gran altitud.....	75
5.2 Requisitos de gas.....	75
5.3 Conectar el suministro de gas.....	75

#### 6 Requisitos eléctricos y conexión para modelos GAS..... 76

6.1 Requisitos del circuito de suministro eléctrico.....	76
--	----

#### 7 Requisitos eléctricos y conexión para los modelos de DOBLE COMBUSTIBLE e INDUCCIÓN..... 78

7.1 Preparación para la conexión a la alimentación.....	79
7.2 Instalación de una conexión de cuatro cables.....	79
7.3 Instalación de una conexión de tres cables.....	80
7.4 Diagramas y esquemas de cableado eléctrico.....	81

#### 8 Procedimiento de instalación..... 81

8.1 Instalar la protección trasera baja (comprar por separado).....	81
8.2 Colocar la estufa.....	82
8.3 Ajustar las patas de nivelación.....	82
8.4 Ajustar el panel del zócalo: Modelos Pro Harmony@.....	83
8.5 Instalar las cubiertas para las patas: modelos Pro Grand@.....	84
8.6 Reinstalación de la puerta del horno.....	84

8.7 Colocación de las tapas de los quemadores.....	85
8.8 Colocar las rejillas de los quemadores.....	86
8.9 Preparar la plancha eléctrica.....	86

#### 9 Comprobación del funcionamiento..... 86

9.1 Comprobación de los quemadores del aparato.....	87
9.2 Características de la llama.....	87

#### 10 Lista de comprobación del instalador..... 88

#### 11 Servicio de atención al cliente..... 88

11.1 Número de modelo (E-Nr.) y número de fabricación (FD).....	89
11.2 Ubicación de la placa de características del aparato.....	89



# INSTRUCCIONES DE SEGURIDAD IMPORTANTES

## LEA Y CONSERVE ESTAS INSTRUCCIONES

Leer atentamente todas las instrucciones antes de proceder con el uso. Si se toman estas precauciones, se reducirán los riesgos de descargas eléctricas, incendios y lesiones personales. Al utilizar aparatos de cocina, se deben tomar precauciones de seguridad básicas, incluidas las que se detallan en las páginas siguientes.

**⚠ ADVERTENCIA:** Si la información en estas instrucciones no se sigue con precisión, se puede producir un incendio o una explosión ocasionando daños a la propiedad, lesiones a las personas o incluso la muerte.

- No almacene ni use gasolina u otros vapores y líquidos inflamables en la proximidad de este aparato o cualquier otro.
- **QUÉ HACER SI DETECTA OLOR A GAS**
  - No trate de encender ningún aparato.
  - No toque ningún interruptor eléctrico.
  - No utilice ningún teléfono en su edificio.
  - Llame inmediatamente a su proveedor de gas desde un teléfono vecino. Siga las instrucciones del proveedor de gas.
  - Si no puede contactar a su proveedor de gas, comuníquese con el departamento de bomberos.
- La instalación y el servicio deben ser llevados a cabo por un instalador calificado, agencia de servicio o el proveedor de gas.

### **⚠ ADVERTENCIA:**

No operar nunca la zona de cocción de la superficie de este electrodoméstico sin supervisión.

- Si no se observa esta advertencia, se podría producir una explosión o un riesgo de quemaduras que podría dar lugar a daños materiales, personales o incluso la muerte.
- Si ocurriera un incendio, mantenerse alejado del aparato y ponerse en contacto de inmediato con los bomberos.

**NO INTENTAR EXTINGUIR CON AGUA  
UN INCENDIO CAUSADO POR ACEITE/GRASA**



# INSTRUCCIONES DE SEGURIDAD IMPORTANTES

## LEA Y CONSERVE ESTAS INSTRUCCIONES

### 1.1 Definiciones de seguridad

Aquí puede encontrar explicaciones de las palabras de señal de seguridad utilizadas en este manual.

#### ADVERTENCIA

Esto indica que pueden producirse la muerte o heridas graves si no se cumple con esta advertencia.

#### PRECAUCIÓN

Esto indica que pueden producirse heridas leves o moderadas si no se cumple con esta advertencia.

#### AVISO:

Esto indica que pueden producirse daños en el aparato o en los bienes si no se cumple con este aviso.

**Nota:** Esto alerta sobre información o sugerencias importantes.

### 1.2 Instrucciones generales de seguridad

Todos los manuales de producto pueden descargarse en línea en [www.thermador.com/us/support/owner-manuals](http://www.thermador.com/us/support/owner-manuals).

**IMPORTANTE:** EL MONTAJE DEL ELECTRODOMÉSTICO DEBE REALIZARLO UN INSTALADOR CALIFICADO.

**IMPORTANTE:** CONSERVAR ESTAS INSTRUCCIONES PARA QUE PUEDA USARLAS EL INSPECTOR DE ELECTRICIDAD LOCAL.

**INSTALADOR:** DEJAR ESTAS INSTRUCCIONES DE INSTALACIÓN JUNTO A LA UNIDAD PARA EL PROPIETARIO.

**PROPIETARIO:** Conservar estas instrucciones para referencia futura. Leer íntegramente las instrucciones antes de utilizar el aparato. El instalador debe mostrar al usuario dónde se encuentran el breaker del circuito eléctrico y la llave de cierre del gas, para que sepa dónde puede desconectar el suministro eléctrico y de gas del aparato.

Examinar el aparato después de desembalarlo. En el caso de que se hayan producido daños en el transporte, no enchufarlo.

#### ADVERTENCIA

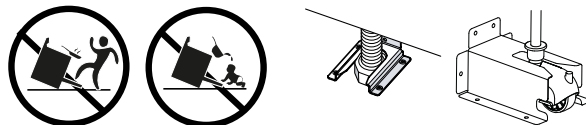
Si no se sigue con exactitud la información de este manual, se puede producir un incendio o una descarga eléctrica que podrían causar daños materiales o lesiones personales.

No reparar, reemplazar ni retirar ninguna parte del aparato a menos que se recomiende específicamente en los manuales. La instalación, el servicio técnico o el mantenimiento incorrectos pueden causar lesiones o daños materiales.

- ▶ Consultar este manual como guía.
- ▶ Cualquier otra labor de mantenimiento debe de ser efectuada por un proveedor de servicios de mantenimiento autorizado.

#### ADVERTENCIA

##### RIESGO DE VUELCO DE LAS ESTUFAS



- ▶ Una estufa puede volcar y causar lesiones. Para evitar que la estufa vuelque por accidente, fijarla al suelo, a la pared o al mueble instalando la placa de fijación antivuelco que se incluye.
- ▶ Si la estufa vuelca sobre un niño o un adulto, puede causarles lesiones graves o incluso la muerte. Comprobar que la placa de fijación antivuelco esté firmemente instalada. Asegurarse de que la placa de fijación antivuelco esté conectada al mover la estufa.
- ▶ **NO** manejar la estufa sin la placa de fijación antivuelco colocada. Si no se siguen las instrucciones de este manual, pueden producirse muertes o graves quemaduras en niños y adultos.
- ▶ Si se aparta la estufa para su limpieza, su mantenimiento o por cualquier otro motivo, es preciso asegurarse de volver a colocar correctamente la placa de fijación antivuelco al volver a colocarla. Si no se sigue esta recomendación, la estufa podría volcar si se realiza un uso indebido de la misma (p. ej., una persona se sube o se sienta en ella o se apoya en la puerta abierta). Tanto la propia estufa como los líquidos calientes que se derramen podrían causar lesiones.
- ▶ Comprobar que la instalación sea la adecuada y que se use la placa de fijación antivuelco. Inclinarse con cuidado la estufa tirando de ella hacia delante desde la parte de atrás para garantizar que la placa de fijación antivuelco sujete las patas del aparato, con lo que se evitará que vuelque. La estufa no debe moverse más de 1" (2.5 cm).

Desconectar el suministro eléctrico y el gas antes de proceder al mantenimiento.



# INSTRUCCIONES DE SEGURIDAD IMPORTANTES

## LEA Y CONSERVE ESTAS INSTRUCCIONES

No modificar ni alterar la construcción del aparato.

- ▶ Por ejemplo, no retirar las patas de nivelación, los paneles, las cubiertas para cables ni los tornillos o soportes antivuelco.

El aparato solamente deberá usarse si lo ha instalado un técnico calificado, de acuerdo con estas instrucciones de instalación y todos los códigos y regulaciones aplicables. El fabricante no es responsable de la instalación incorrecta o de la omisión de seguir los códigos y regulaciones locales aplicables.

Para eliminar el riesgo de sufrir quemaduras o que se produzca un incendio al alcanzar las unidades cuya superficie esté caliente, se deberá evitar colocar gabinetes de almacenamiento encima de las unidades de la superficie.

- ▶ Si va a haber gabinetes de almacenamiento, el riesgo puede reducirse colocando una campana que se proyecte horizontalmente como mínimo 5" (127 mm) más allá de la base del gabinete.
- ▶ Verificar que los gabinetes que se encuentren encima de la placa de cocción tengan, como máximo, 13" (330 mm) de profundidad.

### ADVERTENCIA

**NO** instalar este aparato en zonas exteriores.

### ADVERTENCIA

Retirar toda la cinta y el embalaje antes de usar el aparato.

- ▶ Desechar el embalaje de manera respetuosa con el medio ambiente.
- ▶ No dejar nunca que los niños jueguen con el material de embalaje.
- ▶ Almacenar las partes pequeñas con seguridad, ya que estas pueden ser tragadas fácilmente.

### ADVERTENCIA

Para evitar posibles riesgos de quemaduras o incendios, se debe instalar una consola trasera diseñada específicamente para este aparato siempre que sea usado.

### PRECAUCIÓN

Esta unidad está diseñada como electrodoméstico para cocinar. Como lo indican las consideraciones de seguridad, no se debe utilizar bajo ninguna circunstancia para calentar una habitación. De hacerlo así, se podría sufrir una intoxicación por monóxido de carbono y el aparato podría sobrecalentarse.

## 1.3 Seguridad de manejo del aparato

### ADVERTENCIA



La unidad pesa mucho y se requieren al menos dos personas o un equipo adecuado para trasladarla.

- ▶ No levantar el aparato agarrándolo del asa de la puerta.
- ▶ No levantar el aparato por el panel de control del horno.
- ▶ Para un manejo y una instalación más cómodos, extraer la puerta. Véanse las instrucciones a tal efecto en el presente manual.

### ADVERTENCIA



Las superficies ocultas pueden tener bordes afilados.

- ▶ Proceder con cuidado al intentar sujetar el aparato por la parte trasera o desde abajo.
- ▶ Usar guantes para evitar cortes en los dedos por los bordes afilados durante la instalación.

## 1.4 Seguridad eléctrica

- **Instalador:** es preciso mostrar al propietario la ubicación del breaker del circuito o del fusible. Marcarla para recordarla más fácilmente.
- Si el Código Nacional Eléctrico (o el Código Eléctrico Canadiense) así lo exige, este aparato debe instalarse con un circuito derivado dedicado por separado.
- El electrodoméstico, al instalarse, debe conectarse a tierra conforme a la normativa local o, en ausencia de esta, conforme a la última edición del Código Eléctrico Nacional (NFPA 70) o la última edición del Código Eléctrico de Canadá (CSA C22.1).
- Para obtener más información, consultar la placa de características.

### ADVERTENCIA

Antes de realizar la instalación, desconectar la alimentación eléctrica en el panel de servicio.

- ▶ Bloquear el panel de servicio para impedir que se conecte accidentalmente la alimentación eléctrica.



# INSTRUCCIONES DE SEGURIDAD IMPORTANTES

## LEA Y CONSERVE ESTAS INSTRUCCIONES

Para los aparatos provistos de cable y enchufe, no cortar ni retirar la terminal de conexión a tierra;

- ▶ se requiere para enchufarla en un receptáculo adecuado con conexión a tierra para evitar descargas eléctricas.
- ▶ Si se tienen dudas acerca de si el enchufe de la pared tiene una conexión a tierra adecuada, el cliente debería pedirle a un electricista calificado que lo compruebe.

### ADVERTENCIA



#### PELIGRO DE DESCARGA ELÉCTRICA

- ▶ Desconectar la alimentación eléctrica antes de proceder a la instalación o al mantenimiento. Antes de encender la alimentación, es preciso asegurarse de que todos los controles estén en la posición OFF (apagado).
- ▶ NO quitar las conexiones.
- ▶ NO usar un cable de extensión.
- ▶ Una puesta a tierra incorrecta puede causar una descarga eléctrica.
- ▶ No seguir estas instrucciones puede producir la muerte, provocar un incendio o una descarga eléctrica.

#### INSTRUCCIONES PARA LA CONEXIÓN A TIERRA

- ▶ Este aparato debe estar conectado a tierra.
- ▶ La conexión a tierra reduce el riesgo de descargas eléctricas, ya que proporciona una vía de escape de la corriente eléctrica en caso de cortocircuito.
- ▶ Asegurarse de que el aparato esté correctamente instalado y conectado a tierra por un técnico calificado.
- ▶ La instalación, las conexiones eléctricas y la conexión a tierra deben cumplir con todas las normas aplicables.

No usar un cable de extensión. Si el cable de suministro de alimentación es demasiado corto, se deberá solicitar a un electricista calificado que instale una toma de corriente cerca del aparato.

Antes de conectar o encender la fuente de alimentación eléctrica, asegurarse de que todos los controles se encuentren en la posición OFF (Apagado).

## 1.5 Seguridad de los aparatos de gas

Requisitos para el suministro de gas:

- Comprobar el tipo de gas suministrado en la ubicación. Asegurarse de que el electrodoméstico está conectado al tipo de gas para el que está certificado.

- Instalar una llave de cierre de gas cerca del aparato. Tiene que de ser de fácil acceso a ella en caso de emergencia.
- El instalador debe realizar una prueba de fugas conforme a las instrucciones de este manual.
- El aparato y su llave de cierre individual deben estar desconectados del sistema de tuberías de suministro de gas durante cualquier prueba de presión con presiones superiores a ½ psi (3.5 kPa).
- El aparato debe aislarse del sistema de tuberías de suministro de gas cerrando su llave de cierre individual manual durante cualquier prueba de presión del sistema de tuberías de suministro de gas con presiones iguales o inferiores a ½ psi (3.5 kPa).
- Se debe usar un conducto flexible metálico o una tubería de metal fija para conectar el gas al aparato. Si no se puede utilizar tubería de metal para el gas, se debe consultar a un electricista certificado local o los códigos eléctricos locales para realizar una conexión a tierra correcta.
- **Gas natural:** 7 pulgadas de columna de agua, (17.4 mbar) como mínimo; 14 pulgadas (34.9 mbar) como máximo.
- **Gas propano:** 11 pulgadas de columna de agua, (27.4 mbar) como mínimo; 14 pulgadas (34.9 mbar) como máximo.

Este electrodoméstico puede ponerse en funcionamiento de forma segura en el caso de que se produzca una interrupción de la energía eléctrica. Solo se pueden encender manualmente los quemadores estándar superiores.

Mantener en todo momento el área donde se colocó el aparato libre de sustancias combustibles, gasolina y otros líquidos o vapores inflamables.

### PRECAUCIÓN

Al conectar la unidad con el gas propano, asegurarse de que el tanque de gas propano esté equipado con su propio regulador de alta presión, y con el regulador de presión suministrado junto con el aparato. La presión de gas máxima que llegue al electrodoméstico no debe ser superior a 14.0 pulgadas de columna de agua (34.9 mbar) desde el regulador de presión del tanque de gas propano.

**ADVERTENCIA DE SEGURIDAD IMPORTANTE:** La combustión del gas combustible para cocinar genera algunos subproductos que figuran en la lista de sustancias catalogadas en el estado de California como



# INSTRUCCIONES DE SEGURIDAD IMPORTANTES

## LEA Y CONSERVE ESTAS INSTRUCCIONES

cancerígenas o que causan daños reproductivos. Para minimizar la exposición a dichas sustancias, utilizar siempre este aparato de acuerdo con las instrucciones que contiene este folleto y procurar una buena ventilación.

### Instalación con gas propano

- El tanque de gas propano debe estar equipado con su propio regulador de alta presión. Además, también se debe utilizar el regulador suministrado con esta unidad.
- El aparato se envía desde la fábrica para usarlo con gas natural. Tiene que adaptarse para poder utilizarse con gas propano. Esta conversión tiene que realizarla un técnico calificado o un instalador certificado.

### Para instalaciones en Massachusetts

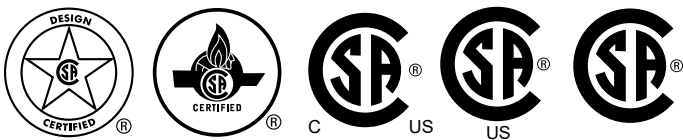
- La instalación debe hacerla un contratista, plomero o instalador de gas calificado o con licencia del estado, provincia o región donde se vaya a instalar este aparato.
- La llave de cierre tiene que ser una llave de gas en T.
- El conector de gas flexible debe tener una longitud no superior a 36 pulgadas.

Instalador: mostrar al propietario dónde está situada la llave para cerrar el gas.

## 1.6 Códigos y normas de seguridad

Este aparato cumple con la última versión de una o varias de las siguientes normas:

- UL 858: estufas eléctricas de uso doméstico
- ANSI Z21.1/CSA 1.1: Electrodomésticos de cocción con gas
- CAN/CSA-C22.2 n.º 61: electrodomésticos de cocción



Normas aplicables:

- Comprobar las normas locales de construcción para conocer el método adecuado de instalación de aparatos.
- Las normativas locales varían. El instalador es responsable de asegurarse de que la instalación, las conexiones eléctricas y de gas y la toma de tierra cumplan con todas las normativas aplicables. El

fabricante no es responsable de la instalación incorrecta o de la omisión de seguir los códigos y regulaciones locales aplicables.

- La instalación de aparatos diseñados para ser instalados en casas prefabricadas (móviles) debe cumplir con la Norma de Seguridad y Construcción de Casas Prefabricadas, Título 24 CFR, Parte 3280 [antigua Norma Federal de Seguridad y Construcción de Casas Móviles, Título 24, HUD {Parte 280}] o con las normas locales donde aplique.
- El montaje de aparatos diseñados para casas móviles debe cumplir con las normas estatales o de otro tipo o, en ausencia de dichas normas, con la normativa para vehículos recreativos, ANSI A119.5 Park Model Recreational Vehicle Standard.
- En ausencia de normativas locales, el electrodoméstico debe instalarse conforme a la edición actual del Código Eléctrico Nacional NFPA 70 y la edición actual del Código de Gas Nacional NFPA 54/ ANSI Z 223.1. En Canadá, la instalación debe cumplir con el Código Eléctrico Canadiense, CSA C22.1-02 y las últimas ediciones del Código de Instalación de Gas Natural y Propano CSA B149.1 y el Código de Manejo y Almacenamiento de Propano CSA B149.2 y/o códigos locales.

Es responsabilidad del propietario y del instalador determinar si son aplicables otros requisitos o normas en instalaciones específicas.

## 1.7 Recomendaciones de ventilación

Recomendamos encarecidamente instalar una campana extractora de ventilación encima de este aparato.

La campana extractora debe instalarse de acuerdo con las instrucciones suministradas con ella.

### ADVERTENCIA

El aparato no debe instalarse con un sistema de ventilación que expulse aire hacia abajo, en dirección a los quemadores. Este tipo de ventilación podría causar problemas de ignición y combustión en el aparato de cocción de gas, con lo que se podrían producir lesiones u operación indeseada.



# INSTRUCCIONES DE SEGURIDAD IMPORTANTES

## LEA Y CONSERVE ESTAS INSTRUCCIONES

### 1.8 REQUISITOS DE ESPACIO LIBRE

Para evitar manchas en la pared trasera, se recomienda el uso de materiales de construcción no porosos y de alta temperatura, adecuados para un entorno de cocina.

**IMPORTANTE:** Existe la posibilidad de que la pared trasera se decolore bajo ciertas condiciones de cocción.

Modelos adecuados para un espacio trasero de 0" con respecto a superficies combustibles.

- PCG305xx
- PRG305xx
- PRG304xx
- PRD305xx
- PRD304
- PRD488BHU/C
- PRG488BH
- PRD606xx
- PRI30LBxx
- PRI36LBxx

Resto de modelos:

- Si se utiliza la moldura de ventilación incluida, es necesario dejar un espacio libre trasero mínimo de 152 mm (6")\* con respecto a una superficie combustible\*.
- Si se instala contra una superficie combustible, se necesita instalar una protección trasera baja de Thermador para un espacio trasero de 0" con respecto a una superficie combustible. La protección trasera baja de Thermador se debe comprar por separado.
- El espacio libre trasero respecto a una superficie cubierta con un material no combustible (metal, baldosas de cerámica, ladrillo, mármol o piedra)\*<sup>Δ</sup> es de 0" si se utiliza la moldura de ventilación incluida.

\*Los espacios libres de menos de 6" (152 mm) deben ser aprobados por los códigos locales o por la autoridad local competente.

Los espacios libres Δ con respecto a materiales no combustibles no son parte del alcance ANSI Z21.1 y no están certificados por CSA.

### 1.9 Advertencias en virtud de la Proposición 65 del estado de California

Este producto puede contener un químico que el Estado de California reconoce como potencialmente cancerígeno o causante de daños reproductivos. Por tanto, su producto debe llevar en su embalaje la siguiente etiqueta de conformidad con la legislación de California:

**ADVERTENCIA EN VIRTUD DE LA PROPOSICIÓN 65 DEL ESTADO DE CALIFORNIA:**

**⚠ ADVERTENCIA**

Cáncer y daño reproductivo - [www.P65Warnings.ca.gov](http://www.P65Warnings.ca.gov)

## 2 Antes de empezar

Este manual de instalación abarca varios modelos. Todos los gráficos son representativos. La apariencia y las funciones del aparato pueden variar.

### 2.1 Partes incluidas

Después de desembalar el aparato, verifique que todas las piezas no presenten daños ocasionados durante el transporte, así como que el volumen de suministro esté completo.

- Placa de fijación antivuelco
- Tornillos de cabeza de cruz de 1½" (38 mm) (4)
- Conectores para terminales para uso en instalaciones conectadas directamente a la red (no obligatorios para instalaciones en Canadá)
- Cable de puente blanco (adaptador de 3 hilos)

### 2.2 Herramientas y componentes necesarios

Preparar los siguientes accesorios y herramientas antes de comenzar la instalación del aparato.

#### Herramientas

- Lápiz
- Cinta métrica
- Nivel
- Gafas de seguridad
- Guantes de seguridad
- Taladro manual o eléctrico
- Broca de ⅜" (4.76 mm)
- Broca de ⅛" (3.17 mm)
- Desarmador de estrella T20
- Desarmador de estrella (Torx) T-30
- Desarmador Phillips
- Una tela o cartón para proteger el suelo
- Soporte rodante para muebles
- **Solo modelos de gas:**
- Llave estriada o dado con matraca de 7/16" (11 mm)
- Llave ajustable de 12" (305 mm)

#### Partes adicionales requeridas

- Tacos para paneles de yeso / hormigón
- Kit de cable de alimentación eléctrica de 40 o 50 A con alivio de tensión, en función de los códigos locales; (solo modelos de doble combustible: No es necesario para instalaciones en Canadá, el cable viene preinstalado de fábrica).
- Cuerda/hilo
- **Solo modelos de gas:**
- Adaptadores NPT para conectores de gas (2)
- Compuesto/cinta para tuberías
- Conducto flexible de ¾" (19 mm)

#### AVISO:

Existe la posibilidad de que la pared trasera se decolore bajo ciertas condiciones de cocción.

### 2.3 Requisitos de potencia y de conexión a tierra

El contacto para el enchufe debe incorporar una conexión a tierra adecuada de conformidad con todas las normas aplicables.

### 2.4 Requisitos para la ventilación

#### ⚠ ADVERTENCIA

El aparato no debe instalarse con un sistema de ventilación que expulse aire hacia abajo, en dirección a los quemadores. Este tipo de ventilación podría causar problemas de ignición y combustión en el aparato de cocción de gas, con lo que se podrían producir lesiones u operación indeseada.

- Consultar la «Guía de planificación de ventilación» para ver las combinaciones de ventilación aprobadas.
- Se recomienda encarecidamente que este aparato se instale junto con una campana extractora de Thermador. Debido a la alta capacidad térmica de este aparato, se debe prestar especial atención a la instalación de la campana y los conductos para garantizar que cumpla con las normas locales de construcción.
- No se debe utilizar la extracción de superficie. La «Guía de planificación de ventilación» indica las opciones de campana de ventilación y las directrices de la capacidad del ventilador que se recomiendan para su uso.
- Debido al alto calor de los quemadores de la estufa, no se recomienda instalar un horno de microondas con un sistema de ventilación sobre la estufa ni tampoco cualquier otro modelo que no sea la estufa de 5 quemadores de 30" y estufas de inducción. Consultar el manual de instalación del fabricante de aparatos instalables sobre estufas (OTR) para obtener información sobre los espacios que deben quedar libres.
- Las campanas extractoras y los extractores están diseñados para utilizarse con ductos de pared simple. Sin embargo, algunas normas locales de construcción o algunos inspectores pueden exigir ductos de doble pared. Consultar las normas locales de construcción o las agencias locales antes de comenzar para asegurarse de que la instalación de campanas y ductos cumpla con los requisitos locales.

#### AVISO:

La mayoría de las campanas extractoras contienen componentes combustibles que deben tenerse en cuenta al planificar la instalación.

#### Preparar la ventilación

1. Seleccionar los modelos de campanas y extractores.
  - Para el montaje en pared, el ancho de la campana extractora debe ser igual, como mínimo, al ancho de la estufa o placa de cocción. Si el espacio lo permite,

- una campana extractora con un ancho mayor que la estufa/placa de cocción puede ser deseable para mejorar el rendimiento de ventilación.
  - Para montaje en isla, el ancho de la campana extractora debe sobresalir del ancho de la estufa/placa de cocción por cada lado un mínimo de 3" (76 mm).
- 2. Tener en cuenta la ubicación de la campana extractora.**
- Para eliminar mejor el humo, el borde inferior de la campana debe instalarse 30" (762 mm) por encima de la superficie de cocción de la estufa.
  - Si la campana extractora contiene materiales combustibles (p. ej., una cubierta de madera), debe instalarse a un mínimo de 36" (914 mm) por encima de la superficie de cocción.
- 3. Tener en cuenta el aire de reposición.**
- Debido al elevado volumen de aire de ventilación, se recomienda disponer de una fuente de aire de reemplazo exterior. Esto es especialmente importante en hogares herméticamente selladas y aisladas.
  - Se debe consultar a un contratista calificado en calefacción y ventilación.

## 3 Requisitos de instalación

Leer las presentes instrucciones para preparar el espacio de instalación del aparato.

### 3.1 Requisitos de ubicación

El aparato es una unidad de libre instalación. Si el aparato se va a colocar junto a los gabinetes, se requieren los espacios libres que se muestran en esta sección. Se aplican los mismos espacios libres para las instalaciones de isla, excepto para los gabinetes superiores, que deben tener un espacio lo suficientemente ancho para la campana extractora de isla.

#### PRECAUCIÓN

Para evitar posibles daños a los gabinetes y su acabados:

- ▶ Usar solo materiales y acabados que no se decoloren ni se separen en capas.
- ▶ Los materiales deben soportar temperaturas de hasta 90 °C (194 °F).
- ▶ Se debe usar adhesivo resistente al calor y la humedad si el producto se va a instalar en gabinetes laminados.
- ▶ Verificar con el fabricante para asegurarse que los materiales cumplan con estos requisitos.

Especificaciones:

- El suministro eléctrico y de gas debe estar dentro de las zonas que se muestran en la imagen sobre los requisitos de espacio libre.
  - *"Requisitos eléctricos y de gas", Página 70*
- Debe sellarse cualquier abertura en la pared que haya detrás del aparato y en el piso debajo del aparato.

- El área superior sombreada detrás del aparato indica que existe la posibilidad de que la pared trasera se decolore en ciertas condiciones de cocinado.
- Debe haber un espacio libre lateral mínimo de 5" (127 mm) entre el aparato y las superficies verticales combustibles a una altura de 36" (914 mm) sobre la cubierta.
- Dentro de los 127 mm (5") de distancia lateral hasta las superficies verticales combustibles por arriba de 91.4 cm (36"), la profundidad máxima de los gabinetes de pared debe ser de 330 mm (13").
- Los gabinetes de pared con este espacio libre lateral de 5" (127 mm) deben estar 18" (457 mm) por encima de la cubierta de 36" (914 mm).
- La profundidad máxima de los gabinetes que cuelguen a ambos lados de la campana extractora es de 330 mm (13").
- Se exige un espacio libre mínimo 36" (914 mm) entre la parte superior de la superficie de cocción y la base de un mueble no protegido. Se puede aplicar un espacio libre de 30" (762 mm) si la base del gabinete de madera o metal está protegida por un material ignífugo de grosor no inferior a 1/4" (6 mm) y cubierto con una chapa de acero de categoría no inferior al n.º 28 de MSG, de acero inoxidable de 0.015" (0.38 mm) de grosor, de aluminio de 0.024" (0.61 mm) de grosor o de cobre de 0.02" (0.51 mm) de grosor.
- NO obstruir las aberturas de ventilación del horno.
- La altura del aparato es ajustable. El nivel de la placa de cocción debe estar al mismo nivel que el nivel superior de la cubierta o por encima de ella.
- Para garantizar una ventilación apropiada de la estufa, NO se deben quitar las patas.

#### Requisitos de espacio libre

Para evitar manchas en la pared trasera, se recomienda el uso de materiales de construcción no porosos y de alta temperatura, adecuados para un entorno de cocina.

**IMPORTANTE:** Existe la posibilidad de que la pared trasera se decolore bajo ciertas condiciones de cocción.

Modelos adecuados para un espacio trasero de 0" con respecto a superficies combustibles.

- PCG305xx
- PRG305xx
- PRG304xx
- PRD305xx
- PRD304
- PRD488BHU/C
- PRG488BH
- PRD606xx
- PRI30LBxx
- PRI36LBxx

Resto de modelos:

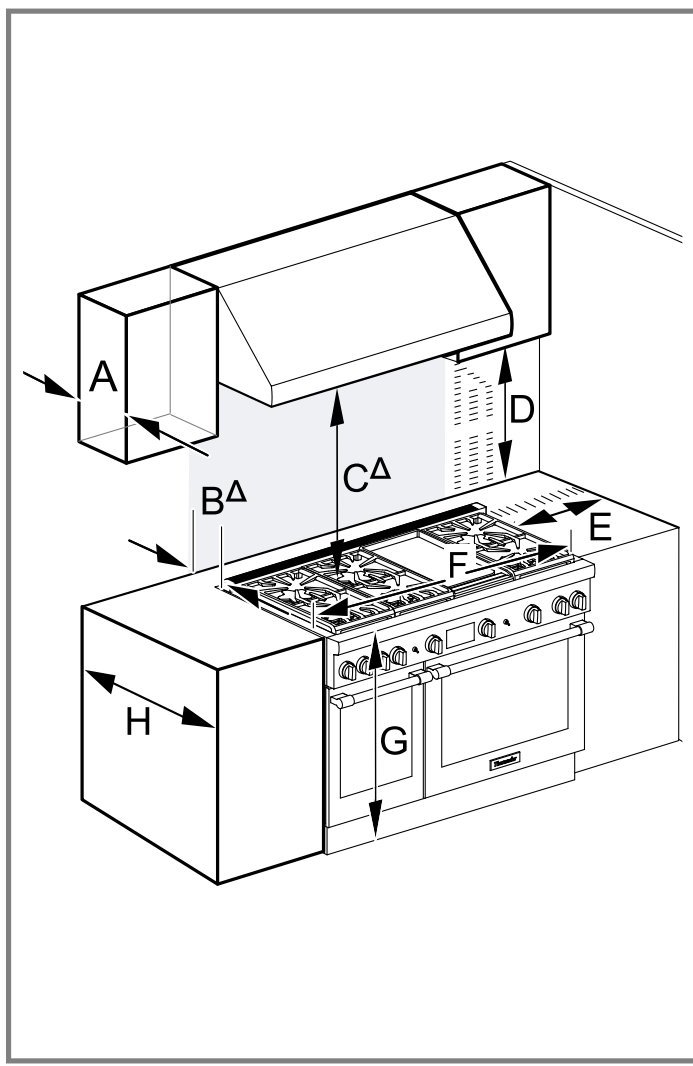
- Si se utiliza la moldura de ventilación incluida, es necesario dejar un espacio libre trasero mínimo de 152 mm (6")\* con respecto a una superficie combustible\*.

- Si se instala contra una superficie combustible, se necesita instalar una protección trasera baja de Thermador para un espacio trasero de 0" con respecto a una superficie combustible. La protección trasera baja de Thermador se debe comprar por separado.
- El espacio libre trasero respecto a una superficie cubierta con un material no combustible (metal, baldosas de cerámica, ladrillo, mármol o piedra)\*<sup>Δ</sup> es de 0" si se utiliza la moldura de ventilación incluida.

\*Los espacios libres de menos de 6" (152 mm) deben ser aprobados por los códigos locales o por la autoridad local competente.

Los espacios libres Δ con respecto a materiales no combustibles no son parte del alcance ANSI Z21.1 y no están certificados por CSA.

### Requisitos de espacio libre de los gabinetes con moldura de ventilación



A	330 mm (13")
B <sup>Δ</sup>	Estufas de inducción y de 8 quemadores de 60" y 48": 0" (0 mm) Resto de estufas: 152 mm (6")
C <sup>Δ</sup>	30" - 36" (762 mm - 914 mm)
D	18" (457 mm)
E	Estufas de inducción: 0" (0 mm)

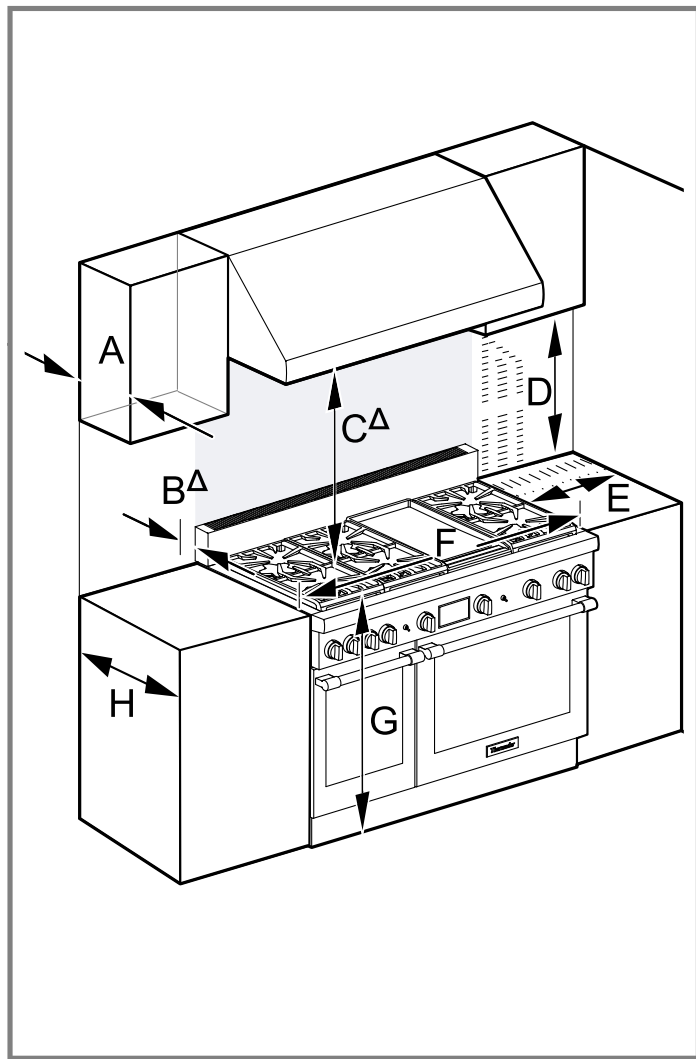
Resto de estufas: 127 mm (5")

F	Según modelo <ul style="list-style-type: none"> <li>■ 30" (762 mm)</li> <li>■ 36" (914 mm)</li> <li>■ 48" (1219 mm)</li> <li>■ 60" (1524 mm)</li> </ul>
G	35 <sup>7</sup> / <sub>8</sub> " - 36 <sup>3</sup> / <sub>4</sub> " (911 mm - 933 mm)
H	23 <sup>7</sup> / <sub>8</sub> " (606 mm)

Δ según lo definido en el «Código nacional de gas combustible» («National Fuel Gas Code», ANSI Z223.1, edición actual). Los espacios libres con respecto a materiales no combustibles no son parte del alcance ANSI Z21.1 y no están certificados por CSA. \*Los espacios libres de menos de 6" (152 mm) deben ser aprobados por los códigos locales o por la autoridad local competente.

**Existe la posibilidad de que la pared trasera se decolore bajo ciertas condiciones de cocción.**

### Requisitos de espacio libre de los gabinetes con protección trasera baja (adquirida por separado)



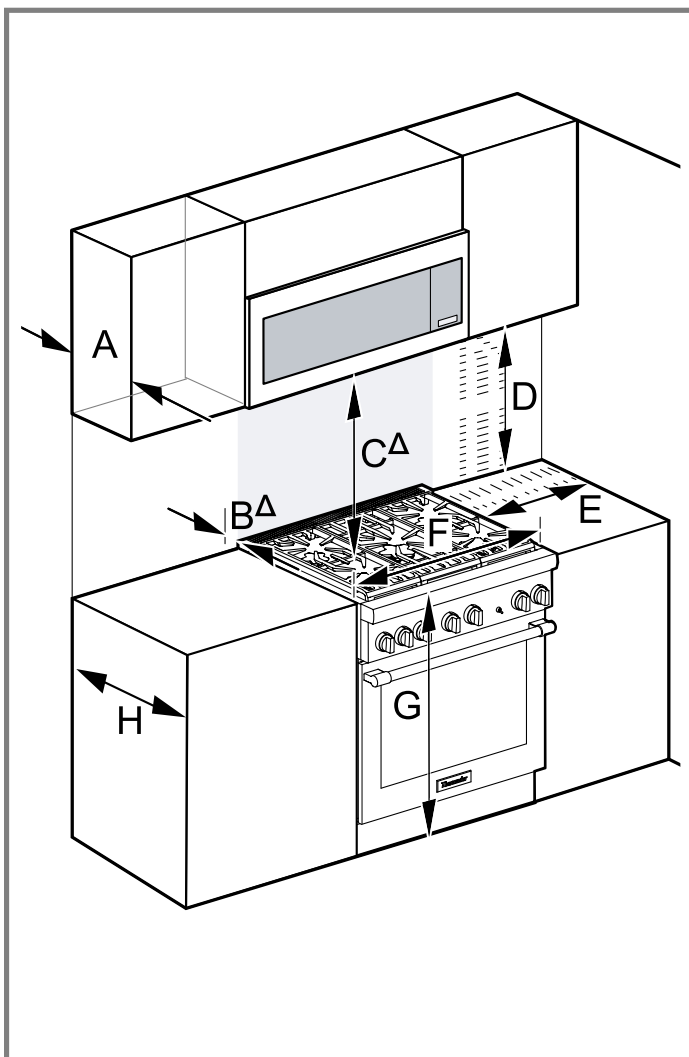
A	330 mm (13")
B <sup>Δ</sup>	0" (0 mm)
C <sup>Δ</sup>	30" - 36" (762 mm - 914 mm)

D	18" (457 mm)
E	Estufas de inducción: 0" (0 mm) Resto de estufas: 127 mm (5")
F	Según modelo <ul style="list-style-type: none"> <li>■ 30" (762 mm)</li> <li>■ 36" (914 mm)</li> <li>■ 48" (1219 mm)</li> </ul>
G	35 $\frac{7}{8}$ " - 36 $\frac{3}{4}$ " (911 mm - 933 mm)
H	23 $\frac{7}{8}$ " (606 mm)

Δ según lo definido en el «Código nacional de gas combustible» («National Fuel Gas Code», ANSI Z223.1, edición actual). Los espacios libres con respecto a materiales no combustibles no son parte del alcance ANSI Z21.1 y no están certificados por CSA. \*Los espacios libres de menos de 6" (152 mm) deben ser aprobados por los códigos locales o por la autoridad local competente.

**Existe la posibilidad de que la pared trasera se decolore bajo ciertas condiciones de cocción.**

**Requisitos de espacio libre de los gabinetes con microondas OTR para estufas de 5 quemadores y de inducción de 30".**



A	330 mm (13")
B <sup>Δ</sup>	0" (0 mm)

C<sup>Δ</sup> mín. 30" (762 mm) a material no combustible sobre la superficie de cocción.  
Consultar el manual de instalación del fabricante OTR para obtener información sobre los espacios que deben quedar libres.

D	18" (457 mm)
E	Estufas de inducción: 0" (0 mm) Resto de estufas: 127 mm (5")
F	30" (762 mm)
G	35 $\frac{7}{8}$ " - 36 $\frac{3}{4}$ " (911 mm - 933 mm)
H	23 $\frac{7}{8}$ " (606 mm)

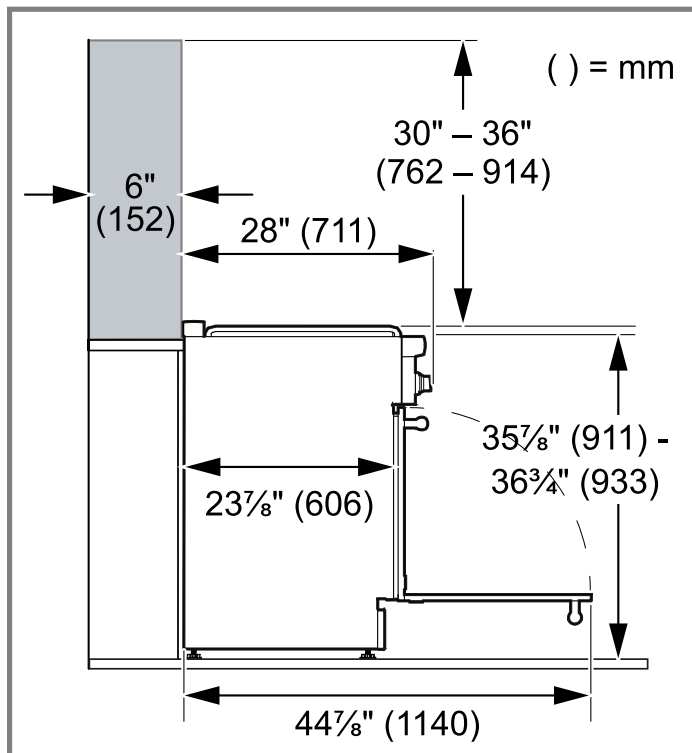
Δ según lo definido en el «Código nacional de gas combustible» («National Fuel Gas Code», ANSI Z223.1, edición actual). Los espacios libres con respecto a materiales no combustibles no son parte del alcance ANSI Z21.1 y no están certificados por CSA. \*Los espacios libres de menos de 6" (152 mm) deben ser aprobados por los códigos locales o por la autoridad local competente.

**Existe la posibilidad de que la pared trasera se decolore bajo ciertas condiciones de cocción.**

#### Distancias laterales

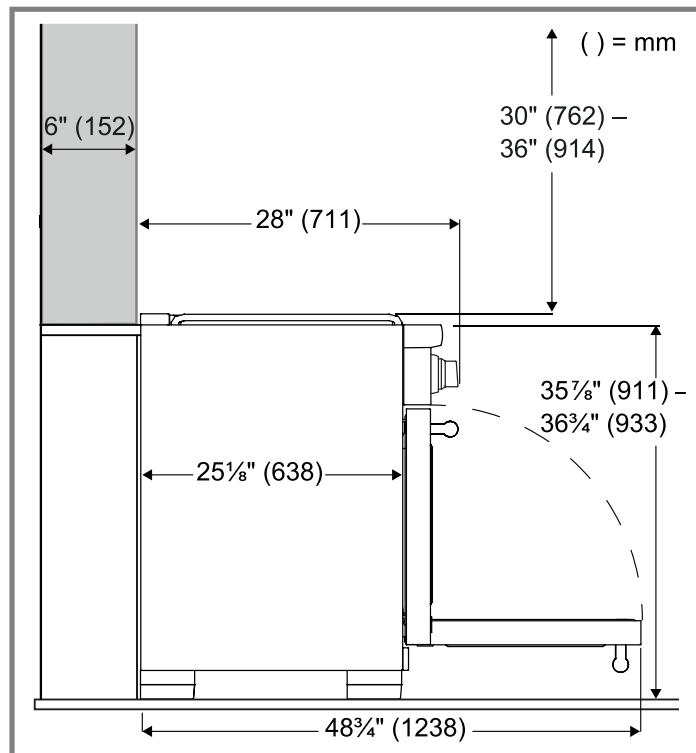
- Las dimensiones que se muestran son con la moldura de ventilación incluida. La protección trasera baja opcional se puede comprar por separado.
- Para instalar la moldura de ventilación, la superficie de la cubierta debe tener un borde en voladizo que coincida con la sección trasera de la moldura de ventilación.
- Si se utiliza una pared interior debajo de la cubierta en voladizo, debe dejarse un hueco de 3 mm ( $\frac{1}{8}$ " ) desde la parte trasera del aparato.
- El área sombreada detrás del aparato indica la distancia de seguridad mínima con respecto a las superficies combustibles. Los materiales combustibles no se pueden ubicar dentro de esta área con la moldura de ventilación.

### Estufas Pro Harmony®



- Hay una distancia de seguridad total de 1140 mm ( $44\frac{7}{8}$ " )
- Hay una profundidad de empotramiento máxima de 606 mm ( $23\frac{7}{8}$ " )

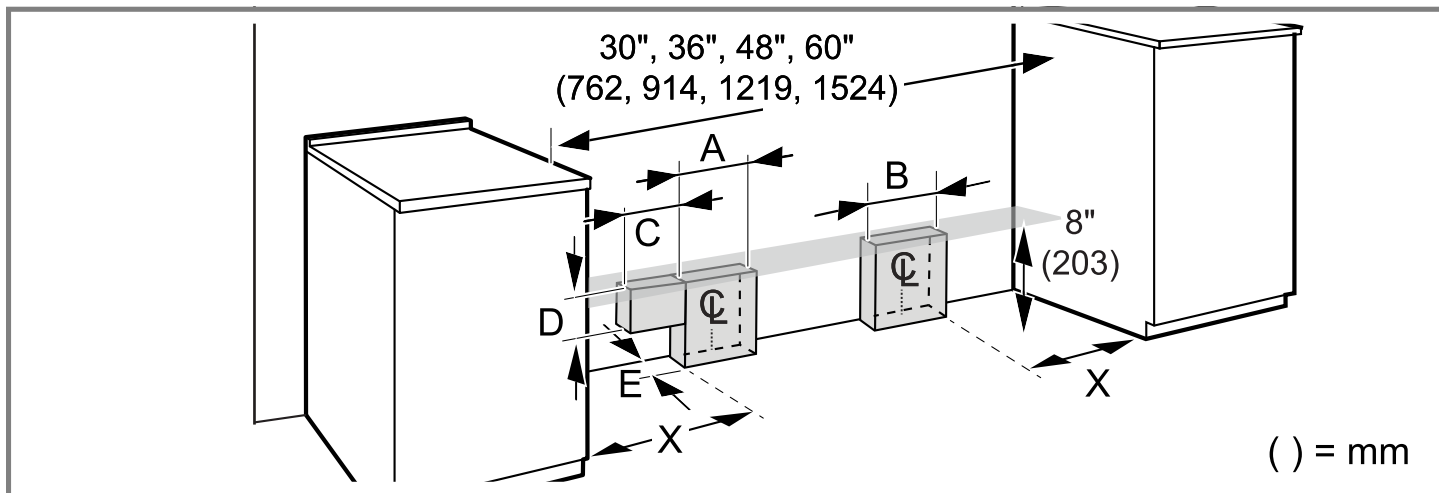
### Estufas Pro Grand®



- Hay una distancia de seguridad total de 1238 mm ( $48\frac{3}{4}$ " )
- Hay una profundidad de empotramiento máxima de 638 mm ( $25\frac{1}{8}$ " )

## 3.2 Requisitos eléctricos y de gas

- **IMPORTANTE:** Si aún no la tiene, instalar una válvula de cierre de gas en un lugar de fácil acceso. Asegurarse de que todos los usuarios sepan dónde y cómo cerrar el suministro de gas del aparato.
- Se debe usar una tubería flexible de metal o un tubo de metal fijo para conectar el gas al aparato. Si no se puede utilizar una línea de metal para el gas, se debe consultar a un electricista certificado local o los códigos eléctricos locales para realizar una conexión a tierra correcta.
- Debe sellarse cualquier abertura en la pared que haya detrás del aparato y en el piso debajo del aparato.
- El aparato solo debe estar conectado al tipo de gas para el que está certificado. Si el aparato se va a conectar a gas propano, asegurarse de que el tanque de suministro de gas propano esté equipado con su propio regulador de alta presión además del regulador de presión suministrado con el electrodoméstico.
- Los suministros de gas y electricidad deben estar dentro de las zonas indicadas en la imagen de este apartado.
- Se debe instalar una llave de cierre manual del gas en la parte externa del aparato en un lugar accesible desde la parte frontal con el fin de cerrar el paso del gas. La línea de suministro no debe interferir con la parte trasera de la unidad.
- El aparato se suministra con su propio regulador de presión que ha sido montado permanentemente dentro del cuerpo del aparato.
- Para una instalación casi al ras con la pared trasera, la línea de suministro de gas y el cable eléctrico no deben superar las 229 mm (9") sobre el piso.
- Cuando el cable de alimentación o el tubo conduit se conectan al receptáculo correspondiente o a la tapa del bloque de terminales, el enchufe y el receptáculo combinados o la tapa del bloque de terminales y el conector del tubo conduit no deben sobresalir más de 51 mm (2") de la pared trasera.
- El instalador debe informar al propietario de la ubicación de la válvula de cierre de gas. Asegurarse de que todos los usuarios sepan dónde y cómo cerrar el suministro de gas del aparato.



Modelo de estufa	Zona del gas A	Zona eléctrica B	X	C	D	E
Todas las series Pro Harmony®	102 mm (4")	152 mm (6")	127 mm (5")	N/A	N/A	51 mm (2")
Series Pro Grand® 36"/48"	102 mm (4")	152 mm (6")	203 mm (8")	102 mm (4")	76 mm (3")	51 mm (2")
60" Pro Grand® series	102 mm (4")	152 mm (6")	203 mm (8")	102 mm (4")	76 mm (3")	25 mm (1")

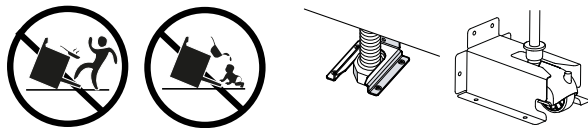
## 4 Antes de la instalación

Llevar a cabo los siguientes pasos para preparar el aparato para su instalación.

### 4.1 Instalar la placa de fijación antivuelco

La estufa puede volcarse hacia adelante, cosa que podría causar lesiones y daños, si la placa de fijación antivuelco no está bien instalada. No operar la estufa sin la placa de fijación antivuelco colocada.

#### ⚠ ADVERTENCIA RIESGO DE VUELCO DE LAS ESTUFAS



- ▶ Una estufa puede volcar y causar lesiones. Para evitar que la estufa vuelque por accidente, fijarla al suelo, a la pared o al mueble instalando la placa de fijación antivuelco que se incluye.
- ▶ Si la estufa vuelca sobre un niño o un adulto, puede causarles lesiones graves o incluso la muerte. Comprobar que la placa de fijación antivuelco esté firmemente instalada. Asegurarse de que la placa de fijación antivuelco esté conectada al mover la estufa.
- ▶ **NO** manejar la estufa sin la placa de fijación antivuelco colocada. Si no se siguen las instrucciones de este manual, pueden producirse muertes o graves quemaduras en niños y adultos.

- ▶ Si se aparta la estufa para su limpieza, su mantenimiento o por cualquier otro motivo, es preciso asegurarse de volver a colocar correctamente la placa de fijación antivuelco al volver a colocarla. Si no se sigue esta recomendación, la estufa podría volcar si se realiza un uso indebido de la misma (p. ej., una persona se sube o se sienta en ella o se apoya en la puerta abierta). Tanto la propia estufa como los líquidos calientes que se derramen podrían causar lesiones.
- ▶ Comprobar que la instalación sea la adecuada y que se use la placa de fijación antivuelco. Inclinar con cuidado la estufa tirando de ella hacia delante desde la parte de atrás para garantizar que la placa de fijación antivuelco sujete las patas del aparato, con lo que se evitará que vuelque. La estufa no debe moverse más de 1" (2.5 cm).

#### ⚠ ADVERTENCIA PELIGRO DE DESCARGA ELÉCTRICA

- ▶ Extremar las precauciones a la hora de taladrar agujeros en la pared o en el piso, ya que podría haber cables eléctricos ocultos.
- ▶ Identificar los circuitos eléctricos que pudieran resultar afectados por la instalación de la placa de fijación antivuelco y, a continuación, desconectar la corriente que va a estos circuitos.
- ▶ No seguir estas instrucciones puede producir una descarga eléctrica u otras lesiones personales.

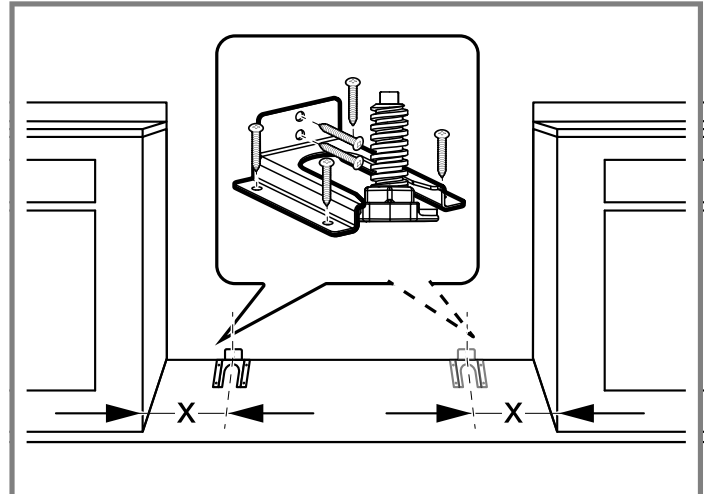
**Nota**

- Los elementos de fijación suministrados son para la instalación en estructuras de madera de grosor estándar. El instalador es el responsable de proporcionar los elementos de fijación para otro tipo de situaciones de instalación.
- Comuníquese con un instalador o contratista calificado para determinar el método adecuado para perforar orificios en la pared o el material del piso, como baldosas de cerámica, madera dura u otros.
- El soporte antivuelco puede fijarse a una superficie de madera maciza que tenga un grosor de pared mínimo de 19 mm (3/4").
- El grosor de la pared o el piso puede requerir el uso de tornillos más largos, disponibles en su ferretería local.
- En todos los casos, se deben sujetar al menos dos (2) de los tornillos de montaje del soporte antivuelco a una superficie de madera firme.
- Utilizar anclajes adecuados al sujetar el soporte de montaje a cualquier material que no sea madera dura o metal.

1. Retirar la placa de fijación antivuelco del paquete de documentación, dentro de la caja que estaba en la parte superior del aparato.
2. Colocar la placa de fijación antivuelco en el piso como se muestra en la imagen. Puede colocarse tanto en el lado izquierdo como en el derecho.
3. Medir y marcar la distancia indicada para el modelo de su aparato. Centrar la placa de fijación antivuelco en la marca.  
→ "Ubicación de la placa de fijación antivuelco",  
Página 72
4. Para paredes, montantes de pared o pisos compuestos de madera maciza o metal, taladrar orificios guía de 3 mm (1/8").
5. Fijar la placa de fijación antivuelco al piso o al montante de la pared con los (4) tornillos de cabeza en cruz de 1 1/2" (38 mm) suministrados.
6. Al instalar el aparato, asegurarse de que la pata ajustable se deslice por debajo de la placa de fijación antivuelco.

**Ubicación de la placa de fijación antivuelco**

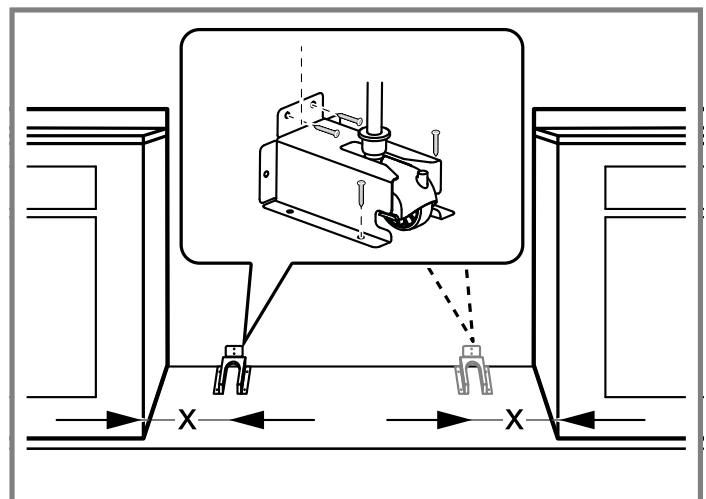
**Estufas de 30", 36" y 48"**



**Nota:** La imagen muestra todas las ubicaciones de atornillado posibles. Utilizar al menos 2 de los 4 tornillos provistos.

Modelo	Valor para «X»
30" Pro Harmony®	45 mm (1 3/4")
36" Pro Harmony®	56 mm (2 3/16")
36" Pro Grand®	98 mm (3 7/8")
Solo modelos de vapor de 48"	41 mm (1 5/8")
El resto de los modelos de 48"	45 mm (1 3/4")

**Estufas de 60"**



**Nota:** La imagen muestra todas las ubicaciones de atornillado posibles. Utilizar al menos 2 de los 4 tornillos provistos.

Modelo	Valor para «X»
60"	51 mm (2")

## 4.2 Desembalar y mover el aparato

### PRECAUCIÓN

Tomar las siguientes precauciones al manipular el aparato durante la instalación.

- ▶ NO levantar la unidad por el asa de la puerta del horno, ya que se podrían dañar las bisagras de la puerta y provocar que no encaje correctamente.
- ▶ NO levantar la unidad por el panel de control de la estufa.
- ▶ La unidad es pesada y debe ser manejada tomando en cuenta esto. Debe utilizarse el equipo de seguridad adecuado como guantes y la fuerza de al menos dos personas para mover la unidad para evitar lesiones y daños a la unidad o al piso.
- ▶ Deben ser retirados los anillos, relojes de pulsera, o cualquier otro artículo suelto que pueda dañar la unidad o que pueda quedar atorado en la unidad.
- ▶ Las superficies ocultas pueden tener bordes afilados. Proceder con cuidado al intentar tomar la unidad por la parte trasera o desde abajo.
- ▶ NO utilizar una carretilla de carga o una plataforma rodante con la unidad, ni por su parte trasera ni por la delantera. Manipular el aparato solo por los lados.

### Desembalar el aparato

#### AVISO:

NO retirar la espuma del panel de control hasta que la unidad esté completamente montada.

No elevar en el panel de control en ningún momento durante la instalación.

1. Retirar la caja exterior y los materiales de embalaje del palet de envío.
2. Dejar las láminas protectoras que cubren las superficies de metal pulido, para proteger los acabados de rayones, hasta que la estufa esté instalada en su posición final.
3. Retirar las rejillas, tapas de los quemadores y rejillas del horno para facilitar su manejo.
4. Si se desea, las puertas del horno y el cajón calentaplatos (si se cuenta con él) se pueden retirar ,  
→ *"Retirar el cajón calentaplatos", Página 74.*

### Mover el aparato

Debido al peso, se debe utilizar un soporte con ruedas blandas o un elevador neumático para mover esta unidad. El peso debe repartirse uniformemente por toda la base.

1. Para retirar los pernos del palet en la parte frontal y trasera con una llave estriada o matraca con dado de 7/16" (11 mm) para retirar el perno del palet de la parte inferior del palet.
2. Levantar la estufa y retirarla del palet. Si es preciso, utilizar ayuda adicional para retirar el palet.
3. Transportar la estufa con un soporte rodante para muebles hasta dejarlo cerca de su posición final. La unidad no debe ser transportada desde el frente. NO deslizar la estufa sobre un piso no protegido.

4. Se puede inclinar la unidad y apoyarla sobre sus patas traseras mientras se retira con cuidado el soporte rodante.

SE DEBE PROTEGER EL PISO DEBAJO DE LAS PATAS ANTES DE EMPUJAR LA UNIDAD EN SU POSICIÓN.

## 4.3 Retirar la puerta del horno

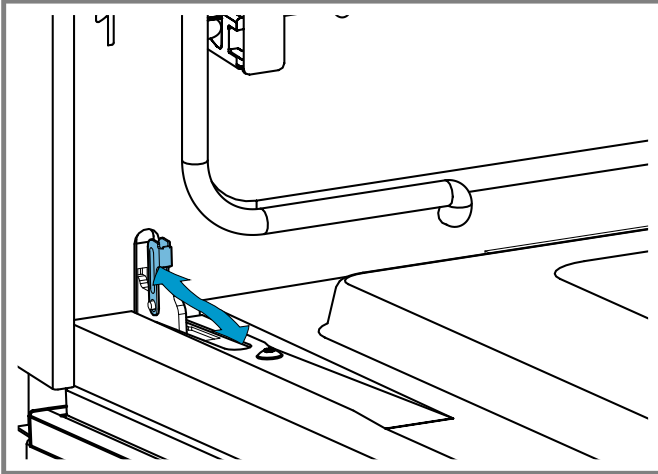
Se recomienda extraer la puerta del horno para de reducir el peso del aparato y así facilitar su manejo y su instalación.

### ADVERTENCIA

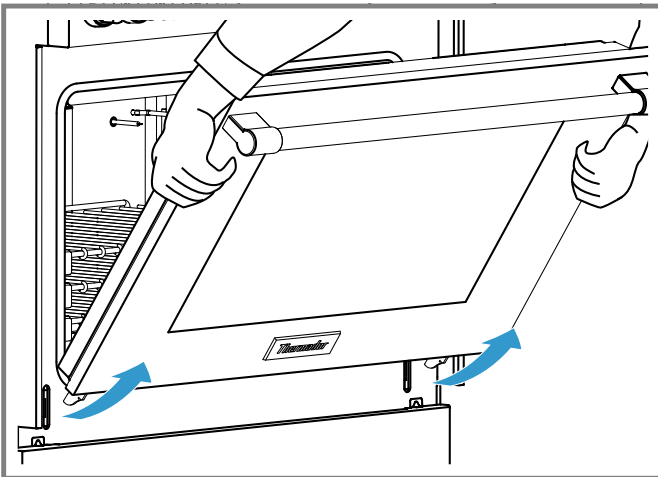
Si no se siguen las presentes instrucciones para retirar la puerta del horno, existe un riesgo de sufrir lesiones personales o dañar el producto.

- ▶ Asegurarse de que el horno esté frío y de que se haya desconectado el aparato de la corriente eléctrica antes de retirar la puerta. De no hacerlo, se puede producir una descarga eléctrica o quemaduras.
  - ▶ La puerta del horno es pesada y algunas de sus partes son frágiles. Usar las dos manos para extraer la puerta del horno.
  - ▶ La puerta frontal es de cristal. Es preciso manejarla con cuidado para evitar que se rompa.
  - ▶ Agarrar solo el lateral de la puerta del horno. No se debe agarrar por el asa; podría resbalar en la mano y causar daños o lesiones. Si no se agarra la puerta del horno con firmeza y adecuadamente, podrían producirse lesiones personales o daños en el producto.
  - ▶ Para evitar lesiones al cerrarse bruscamente la placa de fijación de la bisagra, asegurarse de que las dos palancas estén firmemente colocadas antes de quitar la puerta.
  - ▶ No forzar la apertura ni el cierre de la puerta; se podría deteriorar la bisagra y se correría el riesgo de sufrir daños o lesiones.
  - ▶ No dejar la puerta extraída sobre objetos afilados o puntiagudos, ya que se podría romper el cristal. Colocarla sobre una superficie plana y suave para que no se caiga.
1. Asegurarse de leer la ADVERTENCIA anterior antes de intentar extraer la puerta del horno.
  2. Abrir completamente la puerta.

3. Empujar los soportes de las bisagras en ambos lados de la puerta. Es posible que se necesite un desarmador para hacer palanca en el soporte.

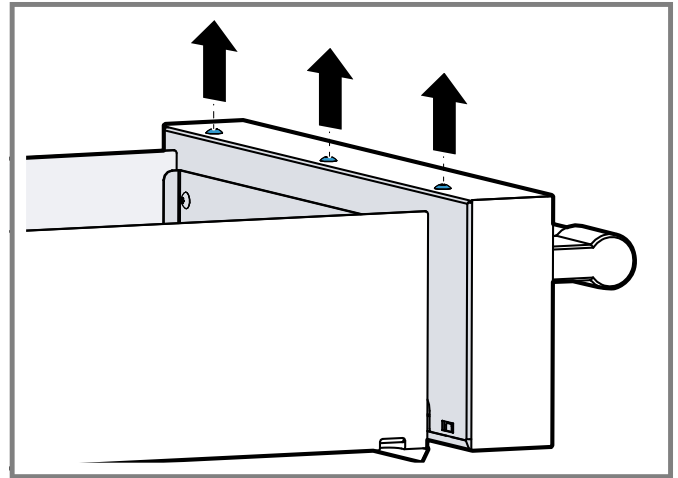


4. Cerrar la puerta despacio hasta apoyarla contra los soportes de las bisagras. Los soportes de las bisagras abiertos mantienen la puerta abierta a un ángulo de unos 30° respecto a su posición cerrada.
5. Agarrar la puerta con firmeza por los extremos. Levantar la puerta y sacarla hacia afuera. Los resortes ofrecerán un poco de resistencia.

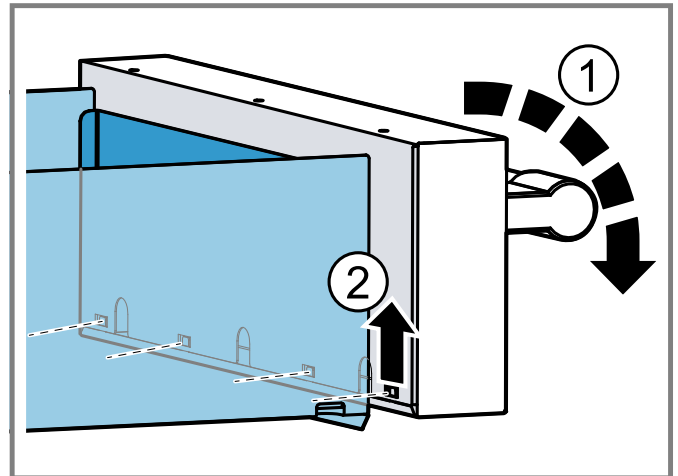


#### 4.4 Retirar el cajón calentaplatos

1. Retirar los tres (3) tornillos T-20 de la parte superior del cajón calentaplatos.



2. Girar la puerta del cajón calentaplatos hacia afuera y luego jalarla hacia abajo para soltarla de las pestañas del soporte.



#### 5 Requisitos de gas y conexiones

##### ⚠ PRECAUCIÓN

El aparato debe aislarse del sistema de tuberías de suministro de gas cerrando su llave de cierre individual manual durante cualquier prueba de presión del sistema de tuberías de suministro de gas con presiones iguales o inferiores a 1/2 psi (3.5 kPa).

Al conectar la unidad con el gas propano, asegurarse de que el tanque de gas propano esté equipado con su propio regulador de alta presión además del regulador de presión suministrado con el aparato. La presión del gas suministrado al aparato no debe exceder la columna de agua de 14" (34.9 mbar).

##### ⚠ ADVERTENCIA

**NO** utilizar ningún tipo de llama para detectar las fugas de gas.

**IMPORTANTE:** No realizar la conexión a tierra a través de una tubería de gas.

Comprobar el tipo de gas que se utiliza en el lugar de instalación. Asegurarse de que la estufa coincida con el tipo de gas disponible en esta ubicación.

Las conexiones de suministro de gas deben ser realizadas por un técnico competente de acuerdo con las normativas y reglamentos locales. En ausencia de códigos locales, la instalación se debe llevar a cabo en conformidad con la edición actual del Código Nacional de Combustibles Gaseosos ANSI Z223.1/NFPA 54.

## 5.1 Instalación a gran altitud

- Este aparato se ha probado para que funcione a una altitud de hasta 3,078 m (10,100 pies) sobre el nivel del mar.
- Se requiere un kit para gran altitud si se va a usar gas natural por encima de 1,646 m (5,400 pies) de altura sobre el nivel del mar, y si se va a usar gas propano (LP) por encima de 3,048 m (10,000 pies) de altura sobre el nivel del mar.
- Si se desea, para altitudes superiores a 610 m (2,000 pies) sobre el nivel del mar, se pueden hacer ajustes a los quemadores de la estufa con un kit de ajuste. Si el rendimiento de la llama es satisfactorio, no será necesario realizar ningún ajuste.
- Consultar la información de Servicio de atención al cliente acerca del servicio, piezas y accesorios.  
→ *Página 88*

## 5.2 Requisitos de gas

Requisitos de gas natural:

- Conexión de entrada: NPT interna de 1/2" (tubo flexible con diámetro mín. de 3/4")
- Presión de suministro: 7" mín. y 14" máx. (17.4 a 34.9 mbar) de columna de agua
- Presión del colector: 5" de columna de agua (12.5 mbar)

Requisitos de gas propano:

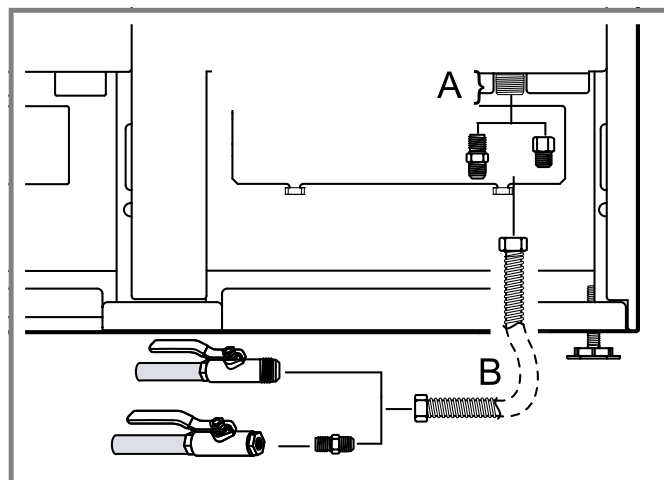
- Conexión de entrada: NPT interna de 1/2" (tubo flexible con diámetro mín. de 3/4")
- Presión de suministro: 11" mín. y 14" máx. (27.4 mbar a 34.9 mbar) de columna de agua
- Presión del colector: 10" de columna de agua (24.9 mbar)

## 5.3 Conectar el suministro de gas

1. Asegurarse que el suministro de gas esté cerrado mediante la llave de cierre manual antes de conectar el aparato.

2. Usar un conducto flexible de 3/4" (19 mm) para establecer una conexión entre el suministro de gas y la entrada de gas del aparato. La conexión de la línea de suministro de gas se encuentra en la parte inferior derecha. La conexión de entrada de gas del aparato es de 1/2" (12.7 mm) NPT.

- Tomar precauciones para evitar engarzar el conducto de 3/4" (19 mm) al hacer dobleces. La longitud sugerida del conducto flexible es de 1219 mm (48"); sin embargo, consultar los códigos locales para conocer los requisitos de su área antes de la instalación.



- |   |  |
|---|--|
| A | Roscas externas de 3/4" (19 mm)<br>Roscas internas de 1/2" (12.7 mm) |
| B | Conducto flexible de 3/4" (19 mm)                                    |

3. Usar compuesto para sellar tuberías o cinta Teflon® en las roscas de las tuberías. **NO** aplicar compuesto sellador o cinta a los accesorios abocinados. Tener cuidado de no aplicar una presión excesiva al apretar los accesorios.
4. Las pruebas de fugas deben realizarse de acuerdo con las instrucciones descritas a continuación:
  - Encender el gas y comprobar que no haya fugas en las conexiones de los tubos de suministro mediante una solución de jabón y agua.
  - Las burbujas indican la presencia de una fuga de gas. Reparar todas las fugas inmediatamente.

### Comprobar si hay fugas en el conducto de gas

El instalador debe realizar una prueba de fugas de forma de acuerdo con las instrucciones descritas a continuación.

### **⚠** ADVERTENCIA

**NO** utilizar ningún tipo de llama para detectar las fugas de gas.

1. Abrir el gas.
2. Aplicar un fluido de detección de fugas en todas las juntas y acoplamientos en el suministro de gas entre la llave de cierre y el aparato. Comprobar también los

acoplamientos y las juntas de gas del aparato si existe la posibilidad de que las conexiones se hayan visto alteradas durante la instalación.

- ✓ Si aparecen burbujas en los acoplamientos y conexiones, hay una fuga.
- 3. Si se detecta una fuga, cerrar la llave de cierre del suministro de gas y apretar las conexiones.
- 4. Volver a comprobar si hay fugas abriendo la llave.
- ✓ Una vez finalizada la comprobación de fugas sin que aparezcan burbujas, la prueba ha terminado.
- 5. Limpiar con un trapo todos los restos de fluido de detección o solución jabonosa.
- ✓ No continuar con la instalación hasta que se hayan eliminado todas las fugas.

## 6 Requisitos eléctricos y conexión para modelos GAS

### ⚠ ADVERTENCIA

Antes de realizar la instalación, desconectar la alimentación eléctrica en el panel de servicio.

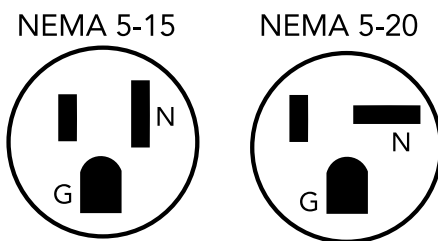
- ▶ Bloquear el panel de servicio para impedir que se conecte accidentalmente la alimentación eléctrica.

### ⚠ ADVERTENCIA

Desconectar siempre el electrodoméstico del suministro eléctrico, ya sea desconectando el cable de alimentación o apagando el breaker en el panel de servicio antes de repararlo.

### 6.1 Requisitos del circuito de suministro eléctrico

El cable suministrado junto con las estufas de gas que tienen una plancha eléctrica requiere un receptáculo NEMA 5-20. Las demás unidades de gas requieren un receptáculo NEMA 5-15.



### ⚠ ADVERTENCIA

Este aparato debe estar adecuadamente conectado a tierra.

Instrucciones para poner a tierra la instalación eléctrica

- ▶ Este aparato está equipado con un enchufe de conexión a tierra de tres clavijas para proteger contra los riesgos de descargas eléctricas y debe conectarse directamente a un enchufe con toma de tierra. **NO** cortar ni quitar la clavija de conexión a tierra de este enchufe.

### ⚠ PRECAUCIÓN

Una conexión a tierra incorrecta o la polarización inversa provocarán un mal funcionamiento, como chispas continuas de los encendedores de los quemadores. Esto puede dañar el aparato y puede crear una condición de riesgo de descarga eléctrica

- ▶ Si el circuito dedicado no está conectado a tierra y polarizado correctamente, es responsabilidad y obligación del instalador y del usuario cambiar el tomacorriente existente por uno debidamente conectado a tierra y polarizado.
- ▶ Esto debe realizarse por un electricista calificado de acuerdo con todas las normas y ordenanzas locales aplicables. En ausencia de normas y ordenanzas locales, la sustitución del receptáculo deberá estar de acuerdo con el Código Nacional Eléctrico.

**INSTALADOR:** Muestre al propietario la ubicación del breaker. Marcarla para recordarla más fácilmente.

Modelo	Voltaje	Circuito dedicado	Fase
Pxx305Wx	120 V CA	15 A	Sencillo
Pxx366Wx	120 V CA	15 A	Sencillo
Pxx364WDx	120 V CA	20 A	Sencillo
Pxx364WLx	120 V CA	20 A	Sencillo
Pxx486WDx	120 V CA	20 A	Sencillo
Pxx486WLx	120 V CA	20 A	Sencillo

- Antes de enchufar un cable eléctrico, asegurarse de que todos los controles se encuentren en la posición OFF (apagado).
- Se debe proporcionar un cable neutro desde la fuente de alimentación (breaker) porque los componentes críticos de la estufa, incluidos los módulos de reignición por chispa del quemador superficial, lo requieren para operar de manera segura y adecuada.

- Todos los modelos de 120 voltios se deben enchufar en un receptáculo de conexión a tierra de 3 puntas. El receptáculo debe estar conectado a una fuente de alimentación eléctrica debidamente polarizada y puesta a tierra con una capacidad nominal de 120 V CA, monofásica, 60 Hz.
- Respetar todas las normas y ordenanzas vigentes a la hora de realizar la conexión a tierra. En ausencia de estas normas u ordenanzas, respetar la edición actual del Código Nacional Eléctrico ANSI/ NFPA 70 o la edición actual correspondiente del Código Canadiense Eléctrico, CSA C22.1

**Conexión del cable de alimentación**

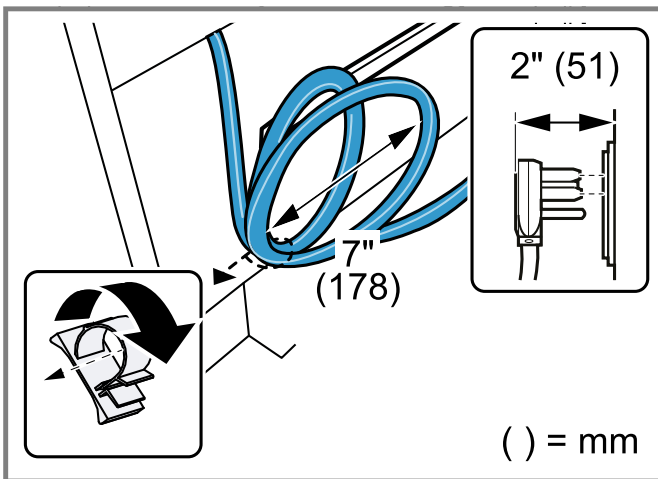
**⚠ ADVERTENCIA**

Para evitar el riesgo de descarga eléctrica o incendio:

- ▶ No permitir que el cable de alimentación pase por debajo de la estufa durante la colocación del aparato en su posición final.
- ▶ El cable de alimentación puede desplazarse por debajo del producto, lo cual lo expone a altas temperaturas que pueden hacer que se derrita.
- ▶ Seguir atentamente las instrucciones.

**Impedir girar al cable de alimentación**

1. Crear con el cable de alimentación dos bucles de aproximadamente 178 mm (7") de diámetro cada uno, por detrás del aparato.
2. En la parte inferior izquierda, pasar el cable de alimentación a través del clip autobloqueante.
3. Antes de colocar el aparato en su ubicación final, asegurarse de que el cable llegue holgadamente hasta la toma de corriente, aproximadamente entre 711 - 762 mm (28" y 30").

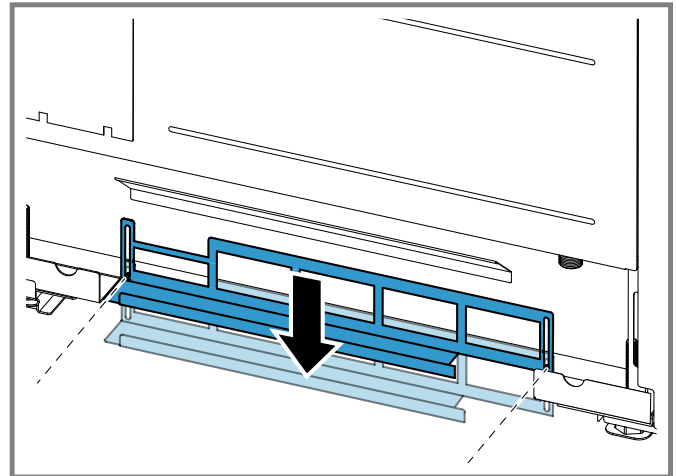


**Nota:** Los estilos de enchufe pueden variar.

**Colocación del protector del cable de alimentación: modelos Pro Grand® de 36" y 48"**

1. En la base del electrodoméstico, aflojar los dos (2) tornillos de cabeza de estrella (Torx) T-20 que aseguran el protector del cable de alimentación.

2. Deslizar el protector del cable de alimentación hacia abajo, como se muestra a continuación, y volver a fijar los tornillos. Esto evitará que el cable de alimentación se meta en el área debajo de la base de la estufa.



## 7 Requisitos eléctricos y conexión para los modelos de DOBLE COMBUSTIBLE e INDUCCIÓN

Las estufas deben conectarse a una fuente de alimentación de 240/208 V CA.

### ⚠ ADVERTENCIA

Una fuente de alimentación incorrecta de 240/208 VCA provocará un mal funcionamiento, dañará este aparato y posiblemente creará una condición de riesgo de descarga eléctrica.

Si no se proporciona el circuito de alimentación eléctrica correcto, es responsabilidad y obligación del instalador y del usuario tener conectada una fuente de alimentación adecuada.

- ▶ Esto debe realizarse por un electricista calificado de acuerdo con todas las normas y ordenanzas locales aplicables. Es responsabilidad del instalador garantizar el cumplimiento con las normas locales. En ausencia de normas y ordenanzas locales, la conexión de la fuente de alimentación deberá estar de acuerdo con el Código Nacional Eléctrico.

Este aparato debe estar adecuadamente conectado a tierra.

Antes de realizar la instalación, desconectar la alimentación eléctrica en el panel de servicio.

- ▶ Bloquear el panel de servicio para impedir que se conecte accidentalmente la alimentación eléctrica.

### ⚠ ADVERTENCIA

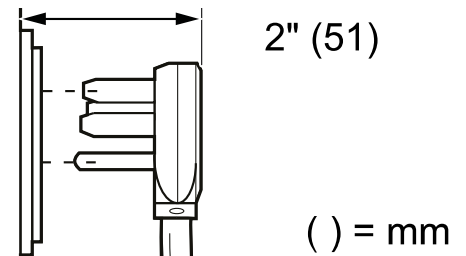
Desconectar siempre el electrodoméstico del suministro eléctrico, ya sea desconectando el cable de alimentación o apagando el breaker en el panel de servicio antes de repararlo.

- Las instalaciones eléctricas y la conexión a tierra deben cumplir con todas las normas y ordenanzas locales o con el Código Nacional Eléctrico, según corresponda.
- Se debe proporcionar un cable neutro desde la fuente de alimentación (breaker) porque los componentes críticos de la estufa lo requieren para operar de manera segura y adecuada.

### Circuito específico requerido

Modelos	Voltaje	EE. UU.	Canadá	Frecuencia	Fase
Todas las estufas con horno doble y de inducción	240/208	50 A	50 A	60 Hz	Sencillo
Todas las estufas con horno individual y sin inducción, a excepción de la PRD364WIGx	240/208	30 A	40 A	60 Hz	Sencillo
PRD364WIGx	240/208	40 A	40 A	60 Hz	Sencillo

- Montar el receptáculo de forma segura en una pared de entramado y luego sellar los alrededores de la carcasa del receptáculo.
- Respetar todas las normas y ordenanzas vigentes a la hora de realizar la conexión a tierra. En ausencia de estas normas u ordenanzas, respetar la edición actual del Código Nacional Eléctrico ANSI/ NFPA 70. Consultar la siguiente información en esta sección para conocer el método de conexión a tierra.
- Los esquemas y diagramas de cableado eléctrico se han colocado en el área del panel del rodapié de la estufa para que un técnico de servicio calificado tenga acceso a dicha información. → *Página 81*
- Los modelos de doble combustible deben conectarse a la fuente de alimentación utilizando uno de los métodos descritos a continuación. Para todos los métodos de conexión, la longitud del cable o conduit/cableado debe permitir que el aparato se deslice completamente fuera del gabinete sin tener que desenchufar o desconectar el aparato de la fuente de alimentación.
- La longitud libre mínima recomendada del cable o conducto conduit es de 1.2 m (4 pies).
- Al usar un receptáculo podría ser necesario colocar la carcasa del receptáculo en la pared trasera. Consultar el código eléctrico local para determinar el volumen mínimo de todas las cajas eléctricas/de conexiones. Respetar todas las normas y ordenanzas eléctricas locales o el Código Nacional Eléctrico si existe.



## 7.1 Preparación para la conexión a la alimentación

### ⚠ ADVERTENCIA

Riesgo de incendio o descarga eléctrica. Se prohíbe realizar conexiones a tierra a través del conductor neutro en instalaciones nuevas de circuitos de derivación (1996 NEC), casas rodantes y vehículos recreativos, y también en áreas cuyas normativas locales prohíban poner a tierra a través del conductor neutro.

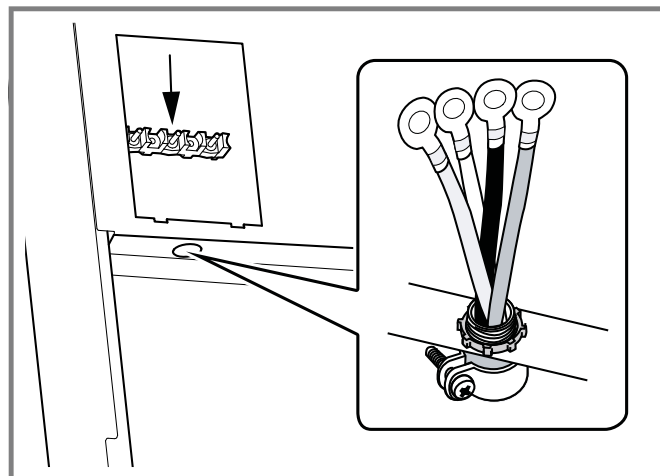
## 7.2 Instalación de una conexión de cuatro cables

### Requisitos

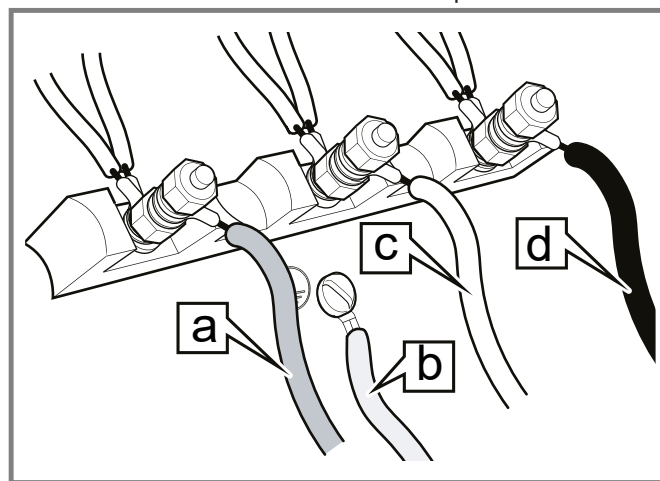
- Este aparato debe conectarse a un circuito dedicado (ver el circuito dedicado que se requiere). → *Página 78*
- Este aparato debe conectarse a la fuente de alimentación con un kit de cable de 3 POLOS, 4 CONDUCTORES certificado (UL, CSA, ...), clasificado para 250 VOLTIOS, 50 AMPERIOS y marcado para uso con estufas.
- Es responsabilidad del instalador proporcionar los componentes de cableado adecuados (cables, alambres, etc.) y completar la conexión eléctrica según lo dictan las normas y ordenanzas locales o el Código Nacional Eléctrico.
- Se requiere que el kit de cables se conecte al bloque de terminales de la estufa con un prensacables que encaje en un orificio de 1" (25.4 mm) de diámetro.
- Si aún no está equipado, el cable también debe tener terminales Faston tipo anillo de 1/4" (6 mm) conectados a los extremos libres de los conductores individuales.

1. Desconectar la energía eléctrica en la caja de breakers (centro de carga).
2. Localizar el bloque de terminales en la parte trasera del aparato y retirar la tapa.
3. Retirar solo las tuercas superiores de los bornes del bloque de terminales. NO quitar las tuercas inferiores que aseguran los cables del cableado interno de la estufa.
4. Si procede, retirar el cable de alimentación de 4 hilos del aparato.

5. Montar el prensacables en el orificio de 1" (25.4 mm) de diámetro en el panel posterior ubicado debajo del bloque de terminales. Dirigir los cables hacia arriba a través del prensacables.



6. Retirar el tornillo verde de conexión a tierra y la arandela dentada ubicada debajo del bloque de terminales.
7. Fijar el cable blanco neutro del circuito de suministro al borne central del bloque de terminales con una tuerca.
8. Fijar los cables de alimentación L2 (rojo) y L1 (negro) a los bornes exteriores del bloque de terminales (color bronce) con tuercas.
9. Fijar el cable verde de conexión a tierra al chasis de la estufa con el tornillo verde de conexión a tierra y la arandela dentada. Asegurarse de que el cable neutro y el cable de conexión a tierra no se toquen.



- |   |                      |
|---|----------------------|
| a | Rojo/L2              |
| b | Verde/cable a tierra |
| c | Blanco/neutro        |
| d | Negro/L1             |

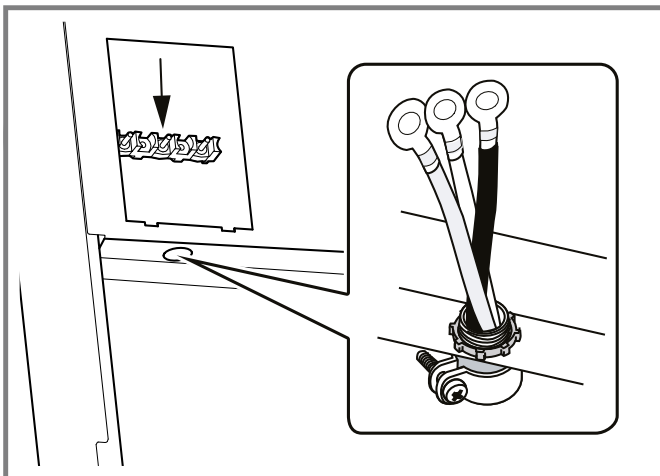
11. Apretar con firmeza todas las conexiones y tuercas, incluidas las tuercas inferiores.
12. Volver a colocar la tapa del bloque de terminales.

### 7.3 Instalación de una conexión de tres cables

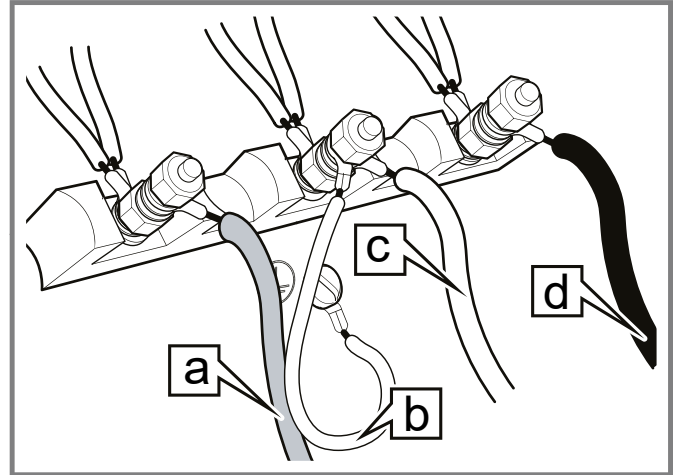
#### Requisitos

- Este aparato debe conectarse a un circuito dedicado (ver el circuito dedicado que se requiere). → *Página 78*
- Cuando las normas y ordenanzas locales permitan la conexión a tierra a través del neutro, y la conversión del suministro a 4 cables (hilos) no sea factible, el aparato se puede conectar a la fuente de alimentación con un kit de cable de 3 POLOS, 3 CONDUCTORES certificado (UL, CSA, etc.), clasificado para 250 VOLTIOS, 50 AMPERIOS y marcado para uso con estufas.
- Es responsabilidad del instalador proporcionar los componentes de cableado adecuados (cables, alambres, etc.) y completar la conexión eléctrica según lo dictan las normas y ordenanzas locales o el Código Nacional Eléctrico.
- Se requiere que el kit de cables se conecte al bloque de terminales de la estufa con un prensacables que encaje en un orificio de 1" (25.4 mm) de diámetro.
- Si aún no está equipado, el cable también debe tener terminales Faston tipo anillo de 1/4" (6 mm) conectados a los extremos libres de los conductores individuales.

1. Desconectar la energía eléctrica en la caja de breakers (centro de carga).
2. Localizar la bolsa pequeña con el cable de puente blanco que se encuentra en el paquete de documentación.
3. Localizar el bloque de terminales en la parte trasera del aparato y retirar la tapa.
4. Retirar solo las tuercas superiores de los bornes del bloque de terminales. NO quitar las tuercas inferiores que aseguran los cables del cableado interno de la estufa.
5. Si procede, retirar el cable de alimentación de 4 hilos del aparato.
6. Montar el prensacables en el orificio de 1" (25.4 mm) de diámetro en el panel posterior ubicado debajo del bloque de terminales. Dirigir los cables hacia arriba a través del prensacables.



7. Fijar el cable neutro conectado a tierra del circuito de suministro eléctrico al borne central (de color plateado) del bloque de terminales.
8. Fijar los cables de alimentación L2 (rojo) y L1 (negro) a los bornes exteriores del bloque de terminales (color bronce) con tuercas.
9. Retirar el tornillo verde de conexión a tierra y la arandela dentada ubicada debajo del bloque de terminales. Atornillar un extremo del cable de puente blanco incluido al chasis debajo del bloque de terminales con el tornillo verde de conexión a tierra. Fijar el otro extremo del cable al borne central del bloque de terminales con una tuerca.



a Rojo/L2

b Puente de conexión a tierra blanco suministrado en una bolsa pequeña

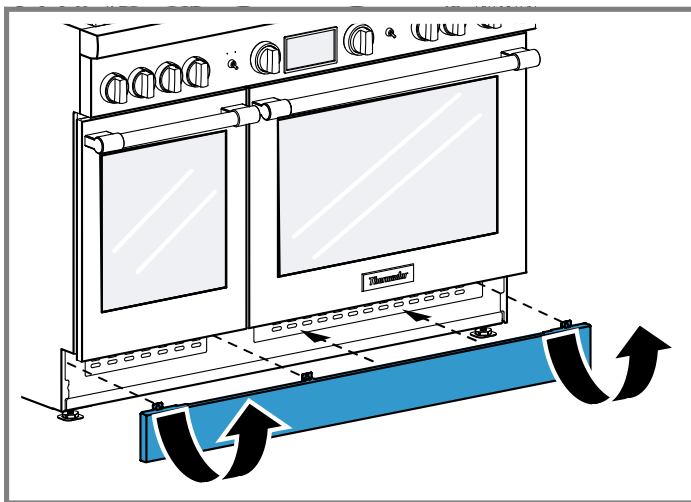
c Blanco/neutro

d Negro/L1

10. Apretar con firmeza todas las conexiones y tuercas, incluidas las tuercas inferiores.
11. Volver a colocar la tapa del bloque de terminales.

## 7.4 Diagramas y esquemas de cableado eléctrico

Los diagramas y los esquemas de cableado eléctrico se encuentran detrás del panel del zócalo y no deben retirarse; solo puede retirarlos un técnico de servicio, que debe devolverlos a su lugar después del servicio.



## 8 Procedimiento de instalación

### 8.1 Instalar la protección trasera baja (comprar por separado).

Los métodos de instalación varían de acuerdo con sus necesidades. Antes de empezar, leer estas instrucciones atentamente. Respetar todas las normas y ordenanzas locales.

#### **⚠ ADVERTENCIA**

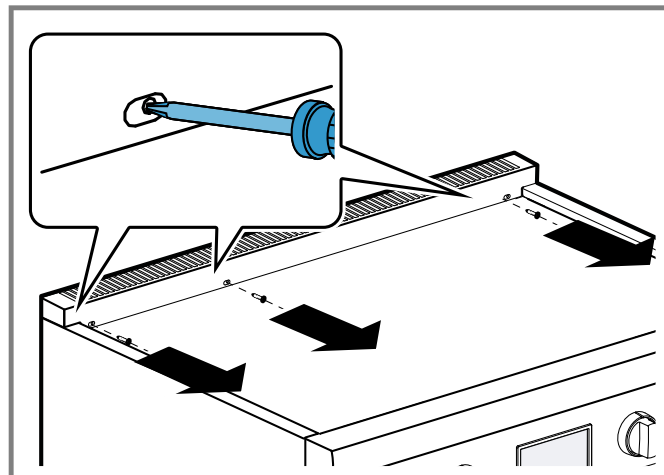
Los dedos o las manos pueden resultar pellizcados al instalar la protección trasera. Se pueden producir lesiones graves.

- ▶ Extremar las precauciones y utilizar guantes gruesos de protección para evitar posibles laceraciones en dedos o manos mientras se desliza la protección trasera hacia abajo en el aparato.

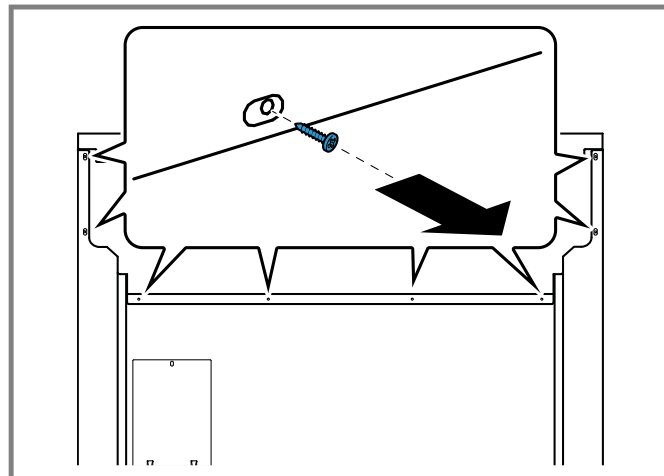
#### **⚠ ADVERTENCIA**

Para disminuir el riesgo de incendio o lesiones personales, asegurarse de que se haya quitado todo el embalaje de los dispositivos accesorios antes de usarlos.

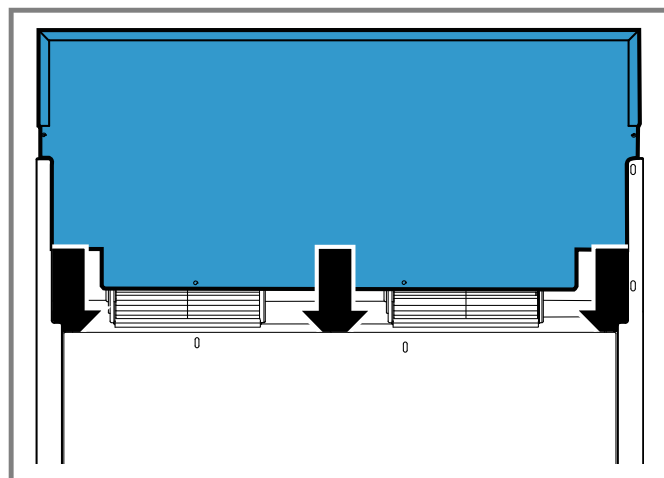
1. Retirar los tornillos con cabeza de estrella (Torx) T-20 de la parte delantera de la moldura de ventilación incluida.



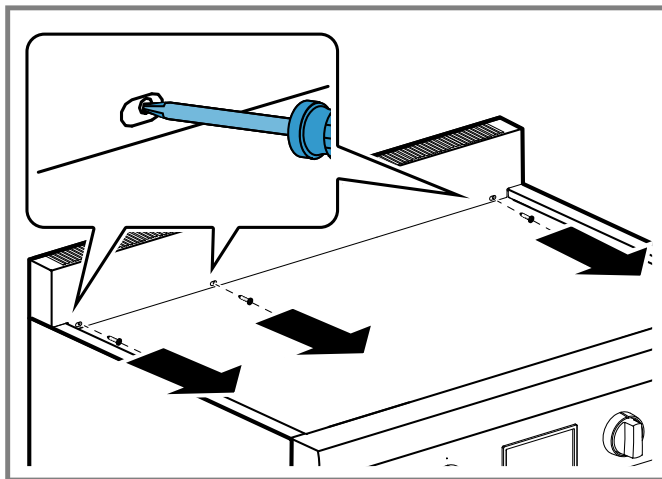
2. Retirar los tornillos con cabeza de estrella T-20 que fijan la moldura a los paneles laterales y los tornillos con cabeza de estrella T-20 que fijan la pieza al panel trasero. Levantar para retirar por completo.



3. Alinear el panel trasero del accesorio nuevo con las pestañas en las esquinas traseras derecha e izquierda del panel lateral de la estufa. La protección trasera se inserta dentro de los canales guía ubicados en la parte trasera de la estufa.



4. Asegurarse de que la parte delantera de la protección trasera se encuentre fuera de la brida en el lado frontal de la estufa.
5. Volver a colocar los tornillos que se retiraron anteriormente.



## 8.2 Colocar la estufa

### ⚠ PRECAUCIÓN

La unidad es pesada y se requieren al menos dos personas o un equipo adecuado para trasladarla. Se recomienda llevar ropa protectora durante el proceso de elevación.

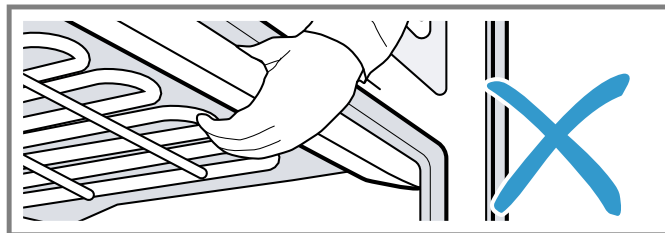
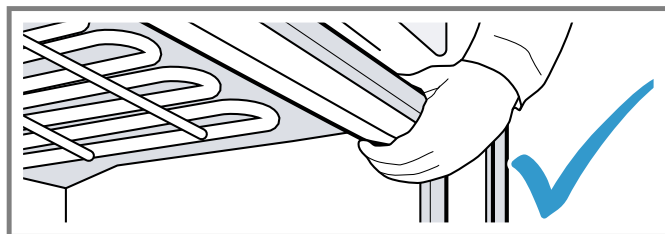
- ▶ Se recomienda llevar guantes y ropa de manga larga para proteger las manos y los antebrazos contra la abrasión y posibles arañazos.
- ▶ Es preferible no llevar relojes ni joyas.
- ▶ Se aconseja llevar zapatos de trabajo para proteger los pies.

### AVISO:

Para evitar riesgo de daños en la puerta del horno del electrodoméstico, no levantar, jalar ni empujar el electrodoméstico tomándolo de la manija de la puerta.

**Requisito:** Debe haberse extraído la puerta del horno.

1. ⚠ **PRECAUCIÓN** NO intentar levantar la unidad sosteniendo el elemento calefactor superior del horno. Sacar el electrodoméstico de la base de embalaje. Buscar en la parte superior de la cavidad del horno para localizar un área estriada cerca de la parte delantera del horno.



2. Asegurarse de que el breaker del circuito esté apagado y luego enchufar el cable del electrodoméstico en la toma de corriente eléctrica.
3. Proteger el piso y los gabinetes.
4. Deslizar el electrodoméstico hacia la apertura. Tener cuidado de no dañar las cubiertas, los pisos o el frente del cajón calentaplatos. No hacer presión sobre la cubierta al deslizar el electrodoméstico hacia su lugar.
5. Instalar la puerta del horno.
6. Comprobar que la instalación esté correcta.

## 8.3 Ajustar las patas de nivelación

La estufa debe estar nivelada para obtener un rendimiento adecuado. Se debe dar prioridad a garantizar que la cavidad del horno también esté nivelada para un rendimiento de cocción óptimo.

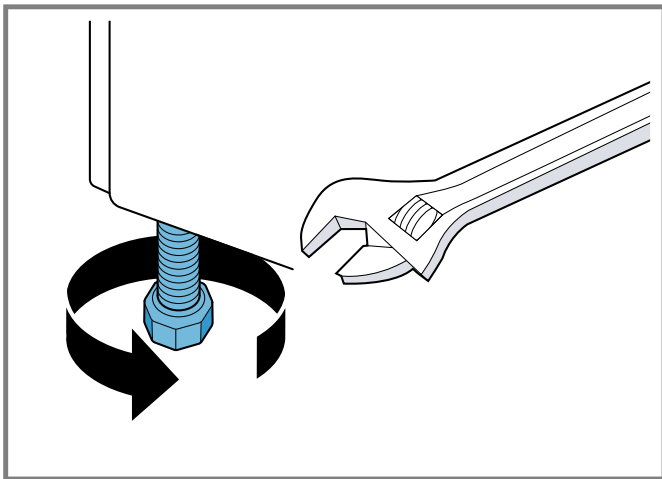
### AVISO:

Los bordes superiores de los paneles laterales de la estufa deben estar al mismo nivel o más altos que la cubierta adyacente.

- ▶ NO poner en funcionamiento la estufa si los lados están más bajos que el gabinete adyacente. Si la estufa se pone en funcionamiento mientras está a una altura más baja con respecto al gabinete adyacente, el gabinete podría estar expuesto a temperaturas excesivas, y esto provocaría daños en el gabinete y la cubierta.

1. Retirar la capa protectora de plástico de las paredes laterales.
2. Alinear la estufa con la apertura.
3. Medir primero la altura hasta la cubierta con una cinta métrica y añadir 2 a 3 mm (1/16" a 1/8") adicionales.

4. Girar las patas con una llave ajustable de 12" (305 mm) en los lados planos de cada pata.



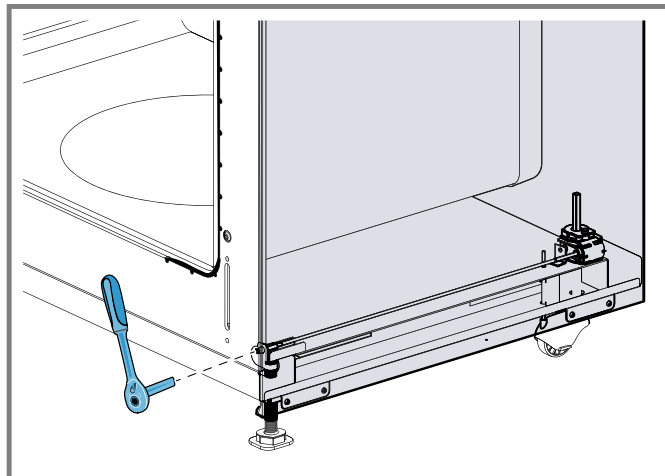
5. Las patas niveladoras deben ajustarse de modo que los lados de la estufa estén al mismo nivel o más altos que el gabinete adyacente. Ajustar las patas según corresponda antes de empujar la estufa hasta su ubicación final.

Puede ser necesario cambiar la posición del cable eléctrico a medida que la estufa se empuja hacia atrás hasta su posición final. Esto se puede lograr jalando con cuidado mediante una cuerda o cordel enrollado alrededor del cable de suministro eléctrico a medida que se empuja la estufa hacia la posición final de instalación.

6. A medida que la estufa se mueve a su posición instalada final, verificar que el soporte antivuelco esté en posición para enganchar la estufa.
- Mirar debajo del electrodoméstico para verificar que ambas patas traseras estén apoyadas sólidamente en el suelo.
  - Comprobar que una de las patas del electrodoméstico esté retenida por la placa de fijación antivuelco.

### Ajustar las patas niveladoras para los modelos de 60"

1. Los ajustes de altura de las dos patas traseras se hacen girando el dado de 5/16" ubicado detrás del marco delantero.

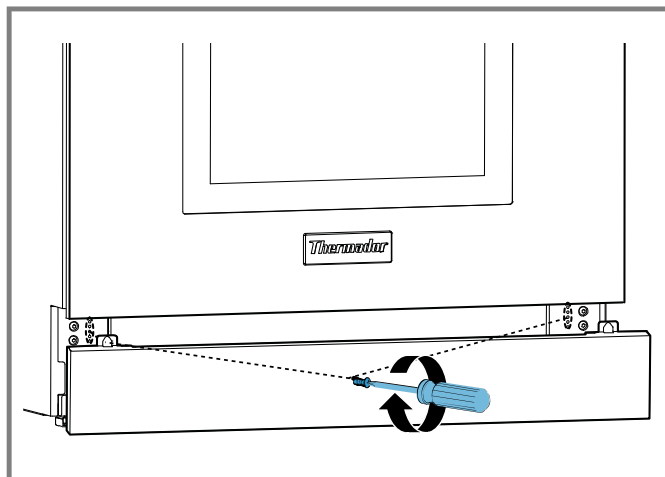


- La dirección de rotación variará según el lado del aparato que se esté ajustando.
- Las puertas del horno deben retirarse para acceder al mecanismo de nivelación de las ruedas traseras (ver "Extracción y ajuste de la puerta"). En los modelos con cajón calentaplatos, se puede acceder al nivelador de la rueda izquierda jalando del cajón calentaplatos para abrirlo.

2. Con la estufa en la posición de instalación, los ajustes de altura final se realizan en las dos patas delanteras para garantizar una alineación adecuada con la parte superior de la cubierta.
3. Bajar la pata de nivelación central de la unidad para ayudar a soportar el peso del aparato.

### 8.4 Ajustar el panel del zócalo: Modelos Pro Harmony®

1. Retirar los tornillos del panel del zócalo usando un desarmador de estrella (Torx) T-20.
2. Volver a colocar el panel del zócalo en una de las cinco posiciones de orificios para tornillos. Volver a colocar el tornillo de estrella.

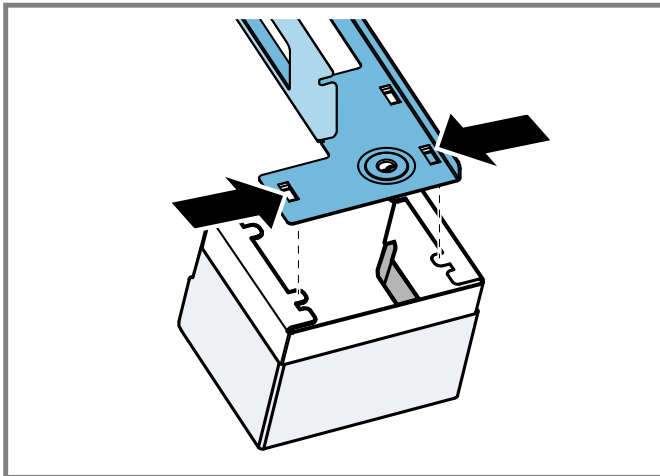


3. Repetir con los tornillos restantes del panel del zócalo, asegurándose de que el panel del zócalo esté nivelado.

El panel del zócalo debe mantener un espacio libre mínimo de 12.7 mm (1/2") sobre el piso.

### 8.5 Instalar las cubiertas para las patas: modelos Pro Grand®

1. Retirar el recubrimiento de plástico de las cubiertas de acero inoxidable.
2. Debajo de la estufa, envolver la cubierta inferior alrededor de la pata. Insertar las pestañas de la cubierta inferior en las ranuras para pestañas como se muestra.

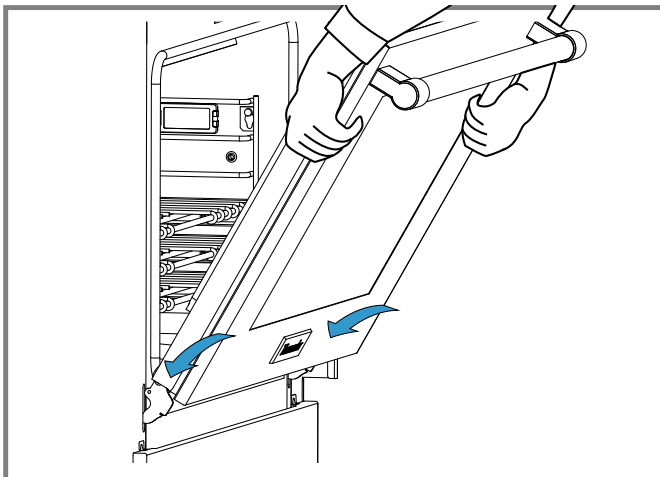


3. Repetir para todas las patas visibles.

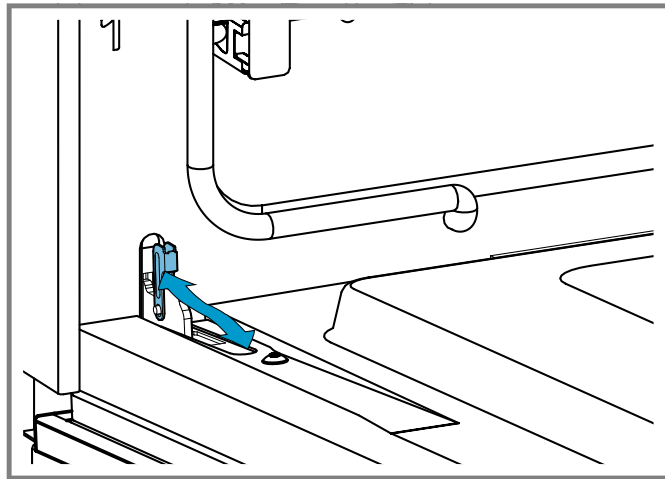
**Consejo** Si se requieren cubiertas adicionales para las patas, puede encargarlas al Servicio de atención al cliente en el número 1-800-735-4328 sin costo adicional durante el año siguiente a la fecha de compra del aparato.

### 8.6 Reinstalación de la puerta del horno

1. Sujetar la puerta firmemente con ambas manos.
2. Sostener la puerta en un ángulo de unos 30° respecto a su posición cerrada. Insertar las bisagras centradas en las ranuras. Las bisagras se engancharán con seguridad en las ranuras cuando estén correctamente instaladas. NO forzar, doblar o girar la puerta.



3. Abrir completamente la puerta para exponer las bisagras, las palancas y las ranuras.
4. Empujar las bisagras hasta que estén colocadas en la placa de fijación. Es posible que se necesite un desarmador para empujar el soporte.

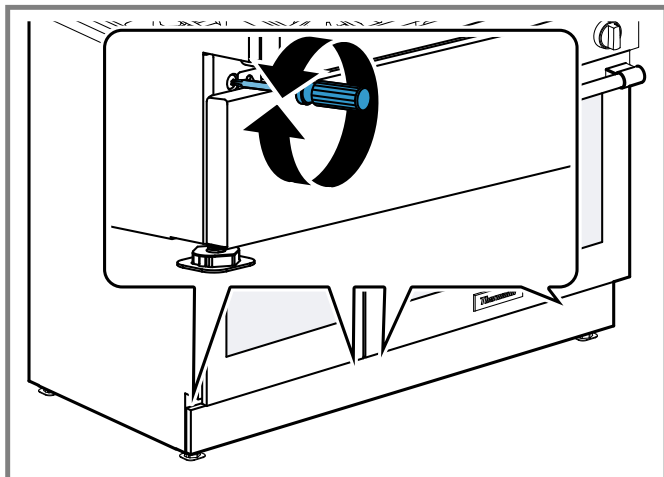


5. Cerrar y abrir la puerta lentamente para asegurarse de que está bien colocada y de forma segura.

### Comprobar la colocación y el ajuste de la puerta

1. Abrir y cerrar la puerta lentamente para verificar que el movimiento y el ajuste correctos de la puerta en la cavidad del horno. **NO** abrir ni cerrar la puerta de manera forzada. Si la puerta está correctamente instalada, debe moverse sin dificultades y descansar justo al frente de la estufa cuando está cerrada.
2. La estufa debe estar nivelada para que las puertas del horno estén correctamente alineadas. Consultar la sección sobre el ajuste de las patas de nivelación.
3. Comprobar que las bisagras estén posicionadas correctamente en las ranuras de las bisagras y que los clips de las bisagras estén completamente enganchados en las ranuras.

4. Si la puerta o el asa parecen estar ligeramente inclinados.
- Girar el tornillo de estrella grande ubicado directamente sobre el receptor de la bisagra con un desarmador de estrella (Torx) T-30. Girar cada tornillo hacia el lado correspondiente y en la dirección hacia la cual se ajustará la puerta.



**Nota:** La puerta del horno de cocción al vapor no es ajustable.

## 8.7 Colocación de las tapas de los quemadores

Las tapas de los quemadores deben estar colocadas correctamente para que la parrilla de gas funcione correctamente.

Si la tapa del quemador no está bien colocada, podrían darse uno o varios de los siguientes problemas:

- Las llamas de los quemadores son demasiado altas.
- Las llamas salen disparadas de los quemadores.
- Se producen decoloraciones en el acero inoxidable.
- Los quemadores no se encienden.
- Las llamas del quemador no son uniformes.
- El quemador desprende olor a gas.

### ⚠ ADVERTENCIA

Para evitar que se produzcan llamaradas, no utilizar la parrilla hasta que todas las tapas de los quemadores y las rejillas estén correctamente colocadas.

### ⚠ PRECAUCIÓN

Para evitar quemaduras, no tocar las tapas de los quemadores ni las rejillas cuando estén calientes.

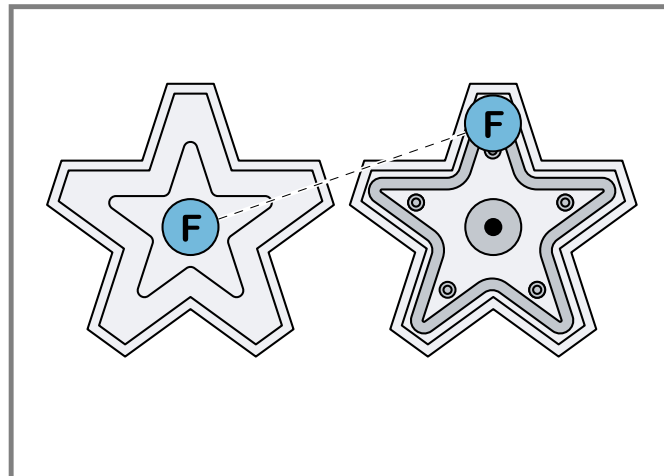
- ▶ Apagar la parrilla de gas y dejar enfriar los quemadores.

Su placa de cocción tiene quemadores de gas sellados Star®. Bajo la parrilla de la estufa no hay componentes de los quemadores que se tengan que limpiar, desmontar o ajustar.

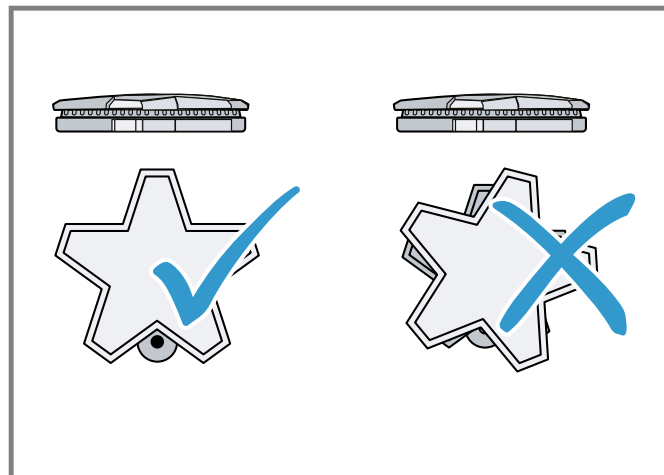
## Colocar las tapas de los quemadores

Todas las tapas tienen una letra (B, D o F) en el lado inferior de la tapa que corresponde con una letra (B, D o F) en la base del quemador que viene con el electrodoméstico.

1. Colocar todas las tapas de los quemadores en las bases de los quemadores correctas según la designación de letra correspondiente.



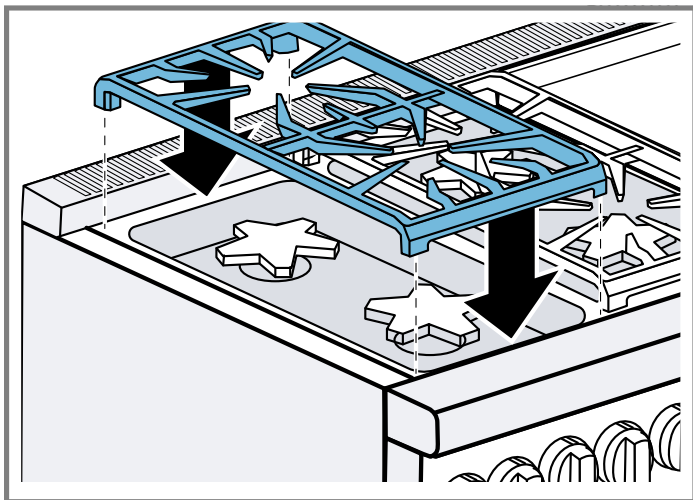
2. Colocar las tapas de los quemadores suavemente sobre las bases de modo que los dientes de estas encajen cómodamente en las ranuras de las tapas.
3. Comprobar cada quemador para asegurarse de que no haya ninguna separación entre la tapa y la base.
  - Se puede mover con suavidad la tapa del quemador hacia los lados para comprobar si está correctamente colocada sobre su base.
  - Si la tapa de un quemador está correctamente colocada, descansa plana de forma horizontal sobre su base y cubre completamente la forma de estrella de esta cuando se le observa desde arriba.



## 8.8 Colocar las rejillas de los quemadores

Para garantizar una combustión apropiada, no utilizar la parrilla de gas sin colocar las rejillas de los quemadores.

1. Colocar las rejillas de quemador boca abajo, en horizontal, y alinearlas con el hueco de la parrilla de gas.
2. Las rejillas de quemador deben descansar a ras las unas de las otras, contra los laterales del hueco.



## 8.9 Preparar la plancha eléctrica

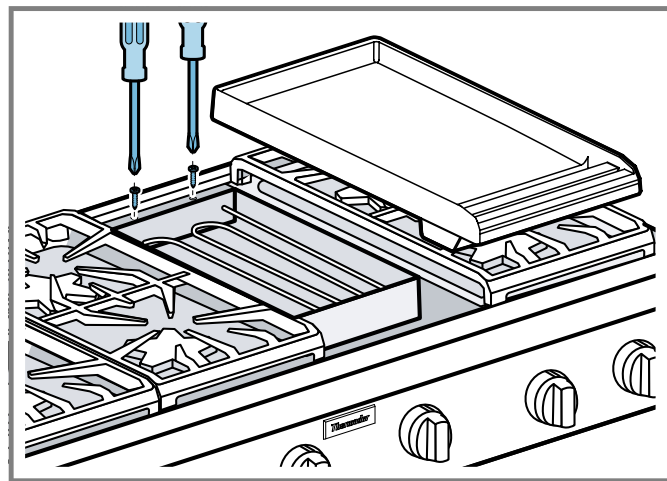
### ⚠ ADVERTENCIA

Para evitar riesgos de lesiones, no utilizar nunca la plancha sin tener colocada su placa correspondiente.

1. Para comprobar el ajuste correcto de la placa para la plancha, echar dos cucharadas soperas de agua en la parte trasera de la misma;

2. si el agua no fluye hasta la parte frontal de la plancha, se deberá ajustar la placa.

- Levantar la placa de la plancha.
- Ajustar los dos tornillos situados bajo la parte trasera de la placa. En principio, empezar dando media vuelta en sentido opuesto a las agujas del reloj a los tornillos. En principio, empezar dando media vuelta en sentido opuesto a las agujas del reloj a los tornillos.
- Reemplazar la placa y comprobar el resultado.
- Para seguir ajustando el componente, girar un cuarto de vuelta hasta que el agua fluya lentamente a la bandeja de goteo de grasa.



## 9 Comprobación del funcionamiento

Una vez completados los pasos de instalación, comprobar si la unidad funciona correctamente.

### ⚠ ADVERTENCIA

Antes de enchufar un cable eléctrico, asegurarse de que todos los controles se encuentren en la posición OFF (apagado).

1. Encender la energía eléctrica en el breaker.
  - ✓ Los ajustes básicos se despliegan automáticamente.
2. Seleccionar un ajuste con el botón < o > de la izquierda.
3. Cambiar la opción deseada con el botón < o > de la derecha.
4. Presionar **ENTER** para confirmar la selección o **SETTINGS** para descartar los cambios.
  - ✓ El display cambia al modo de espera.
5. Para comprobar el funcionamiento del horno, seleccionar el modo **BAKE**. Véase el manual de usuario para consultar las instrucciones de funcionamiento detalladas.
6. Comprobar que se enciende la luz del horno y que el horno comienza a precalentar.

7. Para comprobar el funcionamiento del cierre de la puerta, seleccionar el modo **SELF CLEAN**. Confirmar que la puerta se bloquea cuando aparece el símbolo de bloqueo en el display.

## 9.1 Comprobación de los quemadores del aparato

Es preciso comprobar que todos los quemadores se encienden correctamente y presentan las características de llama apropiadas en los niveles de potencia más bajo y más alto.

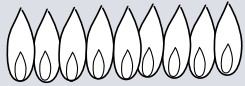
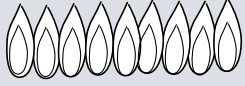
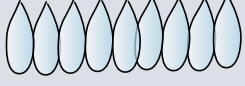
- Comprobar que todos los quemadores del aparato se encienden correctamente.
  - Presionar la perilla y girarla en sentido contrario a las agujas del reloj hasta el símbolo de encendido ⚡.
  - Comprobar que hace clic el dispositivo de ignición / módulo de chispas.
  - Una vez purgado el aire de los conductos de alimentación, comprobar que el quemador se enciende en menos de cuatro (4) segundos. Cuando se encienda el quemador, volver a poner la perilla en la posición de apagado.
  - Si no se enciende ninguno de los quemadores, interrumpir la comprobación. Llamar al Servicio de atención al cliente.
- Comprobar si todos los quemadores del aparato presentan características de llama apropiadas en su ajuste más bajo.
  - Presionar la perilla y girarla en sentido contrario a las agujas del reloj hasta el símbolo de encendido ⚡. Mantenerla presionada hasta que se encienda el quemador.

- Girar rápidamente la perilla a su ajuste más bajo.
  - Comprobar si la llama presenta una altura aproximada de unos 6 mm ( $\frac{1}{4}$ ").
  - Verificar que la llama sea firme. La llama no debe apagarse, elevarse o extinguirse del quemador. Debe distribuirse homogéneamente o rodear todo el quemador.
  - Verificar que la llama sea del color apropiado.
    - "Características de la llama", Página 87
  - Si la llama se apaga, no se distribuye adecuadamente o es demasiado grande, contactar con el Servicio de atención al cliente.
- Comprobar si todos los quemadores del aparato presentan características de llama apropiadas en su ajuste más alto.
    - Presionar la perilla y girarla en sentido contrario a las agujas del reloj hasta el símbolo de encendido ⚡. Mantenerla presionada hasta que se encienda el quemador.
    - Girar rápidamente la perilla a su ajuste más alto.
    - Verificar que la llama sea firme. La llama no debe apagarse, elevarse o extinguirse del quemador. Debe distribuirse homogéneamente o rodear todo el quemador.
    - Verificar que la llama sea del color apropiado.
      - "Características de la llama", Página 87
    - Si la llama se torna amarilla o no se distribuye adecuadamente, contactar con el servicio de atención al cliente.

## 9.2 Características de la llama

El color de la llama indica si el suministro de gas está ajustado correctamente.

**Nota:** Dejar que el aparato funcione durante 4 o 5 minutos antes de evaluar la llama. Es normal que haya algunas vetas amarillas al inicio.

Llama	Imagen	Medida
Completamente amarilla o casi		Comprobar que el regulador esté configurado para el combustible correcto. Volver a comprobar tras el ajuste.
Puntas amarillas en la parte exterior		Normal en gas LP
Azul claro		Normal en gas natural

## 10 Lista de comprobación del instalador

### Comprobación final

- Se han mantenido en las superficies del gabinete los espacios libres especificados.
- Nivel de la unidad: de adelante hacia atrás, de lado a lado.
- Las tapas de los quemadores están colocadas correctamente en las bases de los quemadores.
- Se ha retirado todo el material de embalaje.
- Panel de protección en su lugar y tornillos asegurados.
- Comprobar la llama en cada quemador. Puede ser necesario dejar arder la llama por unos minutos para eliminar las impurezas de los tubos de gas.
- Comprobar que la función ExtraLow® tenga una operación adecuada y que se encienda todo el quemador.
- INSTALADOR: Entregar el folleto de instrucciones Home Connect® al propietario del electrodoméstico. Para utilizar todo el potencial de las funciones del electrodoméstico, el propietario debe descargar la aplicación Home Connect® (EE. UU.) en su dispositivo inteligente y emparejar el electrodoméstico con el dispositivo Wi-Fi doméstico. (No aplicable para modelos de estufas de 30").

### Suministro de gas

- Suministro de gas: NPT de 3/4" (19 mm) con tubo flexible con diámetro mín. de 3/4" (19 mm) .
- El aparato solo debe estar conectado al tipo de gas para el que está certificado para su uso.
- Llave de cierre manual de gas instalada en un lugar accesible (sin necesidad de retirar la estufa).
- El propietario está informado sobre la ubicación de la válvula de cierre de gas.
- Unidad probada y libre de fugas de gas.
- Si se utiliza con gas propano, comprobar que el suministro de gas propano esté equipado con su propio regulador de alta presión además del regulador de presión suministrado con el aparato.
- La presión de suministro de gas no supera las 14 pulgadas de columna de agua, (34.9 mbar).
- Consultar manual para obtener información sobre cómo limpiar y proteger las superficies exteriores.

### Asistencia eléctrica

- Se ha proporcionado un tomacorriente con protección contra sobrecarga adecuado para la conexión de cables de servicio.
- La conexión a tierra es adecuada.

- El propietario conoce la ubicación del breaker principal.

### Manejo

- Los biseles centrados en las perillas de los quemadores y las perillas giran libremente.
- Cada quemador se enciende satisfactoriamente, tanto individualmente como con otros quemadores en funcionamiento.
- Las bisagras de la puerta del horno están asentadas y la bisagra se bloquea en la posición correcta. El asa del horno y la puerta están niveladas y centradas. La puerta se abre y cierra correctamente.
- Las rejillas de los quemadores están correctamente colocadas, niveladas y no se balancean.
- INSTALADOR: Escriba el número de modelo y el número de serie que se encuentran en manual. Dejar manual y manual de instalación con el dueño del aparato.

### Solución de problemas

Para obtener información sobre solución de problemas consultar el manual.

## 11 Servicio de atención al cliente

En cada reparación cubierta por la garantía, nos aseguramos de que su aparato sea reparado con repuestos originales por un proveedor de servicio capacitado y autorizado. Solo utilizamos repuestos originales para todos los tipos de reparaciones. Las informaciones detalladas sobre el periodo de validez de la garantía y las condiciones de garantía las podrá encontrar en nuestras condiciones de garantía, con su distribuido o en nuestra página web. Cuando se ponga en contacto con el servicio de atención al cliente, no olvide indicar el número de modelo (E-Nr.) y el número de fabricación (FD) de su aparato.

USA:

1-800-735-4328

[www.thermador.com/support](http://www.thermador.com/support)

[www.thermador.com/us/accessories](http://www.thermador.com/us/accessories)

CA:

1-800-735-4328

[www.thermador.ca](http://www.thermador.ca)

[www.thermador.ca/en/support/filters-cleaners-accessories](http://www.thermador.ca/en/support/filters-cleaners-accessories)

Aquí podrá encontrar ayuda para la conexión con Home Connect®:

[www.home-connect.com/us/en/help-support/set-up](http://www.home-connect.com/us/en/help-support/set-up)

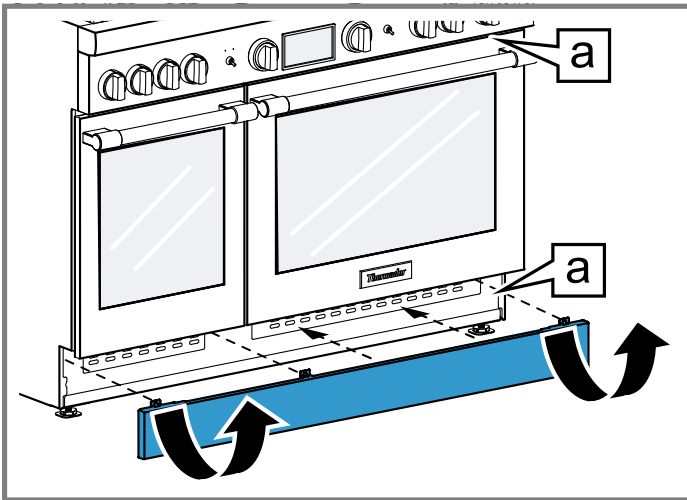
## 11.1 Número de modelo (E-Nr.) y número de fabricación (FD)

El número de modelo (E-Nr.) y el número de fabricación (FD) se encuentran en la placa de características del aparato.

Para volver a encontrar rápidamente los datos del aparato o el número de teléfono del servicio de atención al cliente, puede anotar dichos datos.

## 11.2 Ubicación de la placa de características del aparato

En función del modelo, la placa de características puede encontrarse por encima del horno principal o detrás de la placa protectora inferior.



**a** Placa de características







1901 MAIN STREET, SUITE 600 IRVINE, CA 92614 USA // 1-800-735-4328 // WWW.THERMADOR.COM  
© 2023 BSH HOME APPLIANCES CORPORATION  
8001265281 // en-us, fr-ca, es-mx // 030609