

# ENCHANT SUB



# OWNER'S MANUAL

# IMPORTANT SAFETY INSTRUCTIONS

## **Verify Line Voltage Before Use**

The Harman Kardon Enchant Sub has been designed for use with 100-240 volt, 50/60 Hz AC current. Connection to a line voltage other than that for which your product is intended can create a safety and fire hazard and may damage the unit. If you have any questions about the voltage requirements for your specific model or about the line voltage in your area, contact your selling dealer before plugging the unit in to a wall outlet.

## **Do Not Use Extension Cables**

To avoid safety hazards, use only the power cable supplied with your unit. We do not recommend that extension cables be used with this product. As with all electrical devices, do not run power cables under rugs or carpets, or place heavy objects on them. Damaged power cables should be replaced immediately by an authorized service center with a cable that meets factory specifications.

## **Handle the AC Power Cable Gently**

When disconnecting the power cable from an AC outlet, always pull the plug; never pull the cable.

If you do not intend to use your soundbar for any considerable length of time, disconnect the plug from the AC outlet.

## **Do Not Open the Cabinet**

There are no user-serviceable components inside this product. Opening the cabinet may present a shock hazard, and any modification to the product will void your warranty. If water accidentally falls inside the unit, disconnect it from the AC power source immediately, and consult an authorized service center.

# TABLE OF CONTENTS

IMPORTANT SAFETY INSTRUCTIONS.....	2
1 INTRODUCTION.....	4
2 WHAT'S IN THE BOX.....	6
3 PRODUCT OVERVIEW.....	7
4 GET STARTED.....	9
4.1 Placement.....	9
4.2 Power on.....	9
5 SETUP.....	10
6 RESTORE FACTORY SETTINGS.....	12
7 PRODUCT SPECIFICATIONS.....	13
8 TROUBLESHOOTING.....	14
9 TRADEMARK.....	15
10 OPEN SOURCE LICENSE NOTICE.....	16

# 1 INTRODUCTION

This manual includes information of the Harman Kardon Enchant Sub. We encourage you to take a few minutes to read this manual, which describes the product and includes step-by-step instructions to help you set up and get started. Read and understand all the safety instructions before using your product.

**This product may have an important software update available. Please follow the instructions to connect the product to Wi-Fi to ensure that your product has the most recent software updates.**

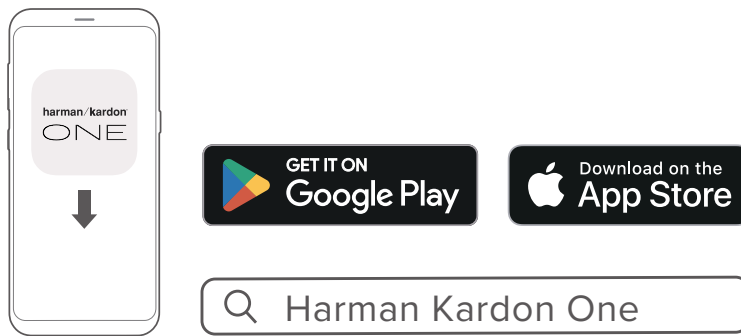
Design and specifications are subject to change without notice. Some features require subscriptions or services not available in all countries.

If you have any questions about this product, its installation or its operation, please contact your Harman Kardon retailer or customer service, or visit us at [www.harmankardon.com](http://www.harmankardon.com).

## Harman Kardon One app

With the Harman Kardon One app on your Android™ or iOS device, you can set up a multi-channel sound system by wirelessly pairing your Enchant Sub with:

- Enchant 900 / 1100 (soundbar, sold separately): to enhance the bass performance.



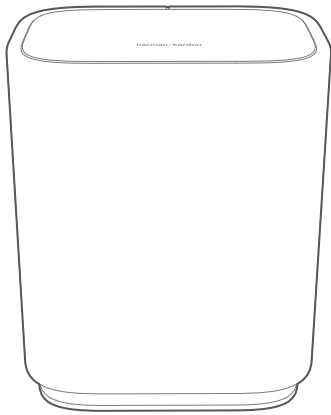
For more information, see [“5 SETUP”](#).

### NOTES:

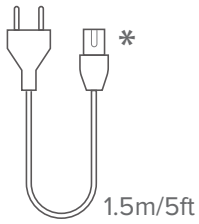
- \*Subscription may be needed and not provided by the Harman Kardon One app.
- App screens may vary due to software updates. Always follow the app instructions.

# 2 WHAT'S IN THE BOX

Unpack the box carefully and ensure that the following parts are included. If any part is damaged or missing, do not use it and contact your retailer or customer service representative.



1



2



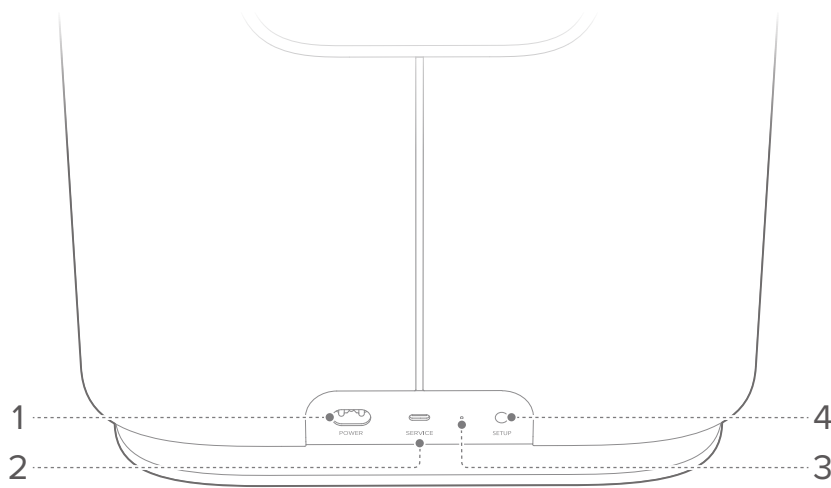
3

1. Subwoofer
2. Power cable\*
3. Product information

\*Power cable quantity and plug type vary by regions.

# 3 PRODUCT OVERVIEW

## Back Panel









### 1. POWER

- Connect to power (with the supplied power cord).

### 2. SERVICE

- USB connector for software update (for service only).

### 3. LED indicator

	Regular pulsing (white)	System startup
	Slow pulsing (white)	Ready for setup / Disconnected with Enchant soundbar
	Solid (white)	Connected with Enchant soundbar
	Solid (green)	Subwoofer discovered by the Harman Kardon One app
	Fast pulsing (white)	Software updating in progress
	Solid (amber)	Restoring factory settings

#### 4. SETUP

- Press twice to enter the setup mode.
- Hold for more than 10 seconds to restore factory settings.

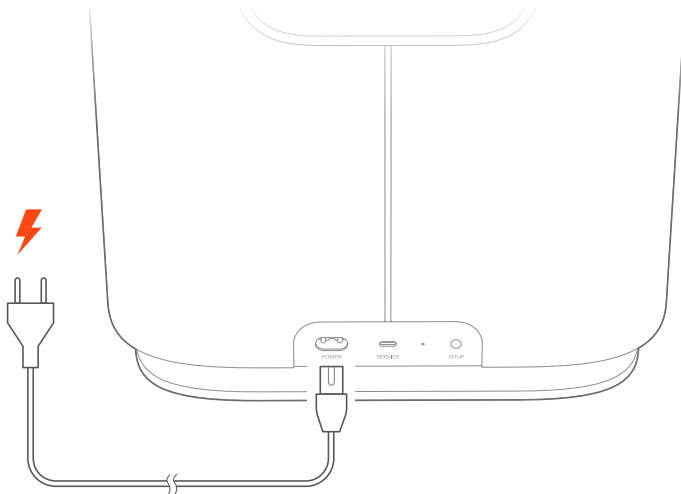
# 4 GET STARTED

## 4.1 Placement

Place the subwoofer on any flat and stable surface near an AC (mains) outlet.

For a successful connection, keep a distance of 1 to 5 meters (3.3 to 16.4 feet) between the subwoofer and your Enchant soundbar.

## 4.2 Power on



Plug one end of the power cord into the **POWER** connector on the back panel, and the other end into an AC (mains) outlet.


→ The subwoofer will automatically power on.

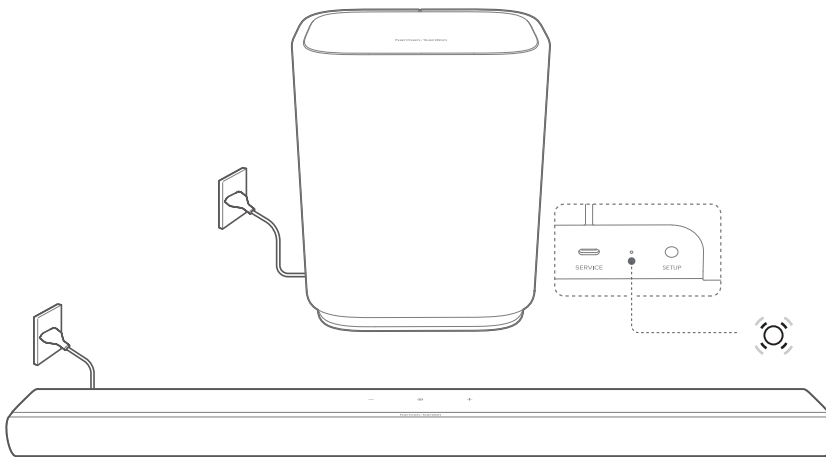
### NOTES:

- Use the supplied power cord only.
- When unplugging the power cord, always pull the plug, never the cord.

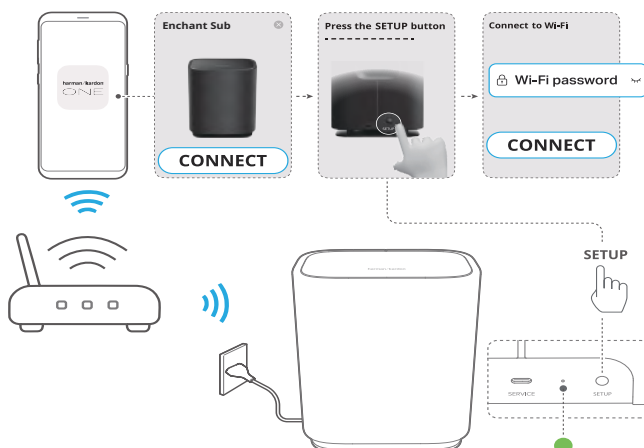
# 5 SETUP

The subwoofer can only work with Enchant soundbar. Follow the steps below to wirelessly connect with the soundbar.

- 1) Connect the subwoofer and your Enchant soundbar to power.  
→  (Slow pulsing white): ready for setup.



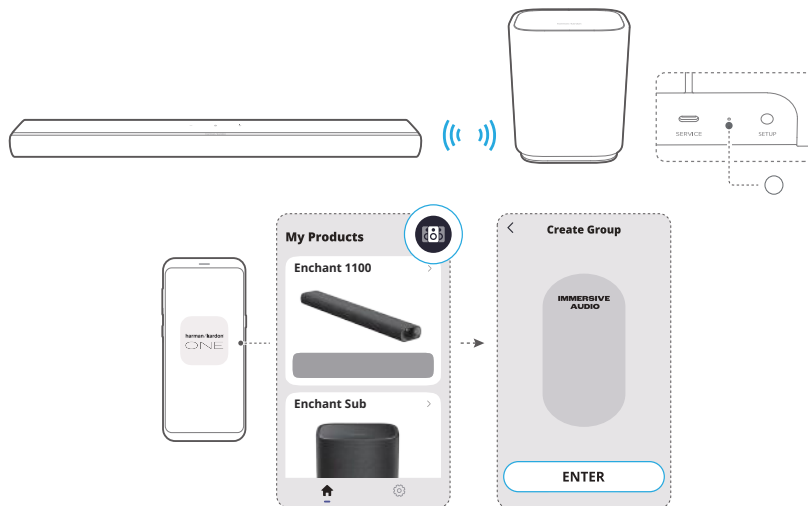
- 2) Connect your Android or iOS device to your home network. Download and launch the Harman Kardon One app.
- 3) Follow the app instructions to complete the setup.
  - a) Connect your Enchant soundbar to your home network.
  - b) Connect the subwoofer to the same network as your Enchant soundbar.



**NOTE:**

- If your subwoofer is not discovered by the Harman Kardon One app, press **SETUP** twice to re-enter the setup mode.

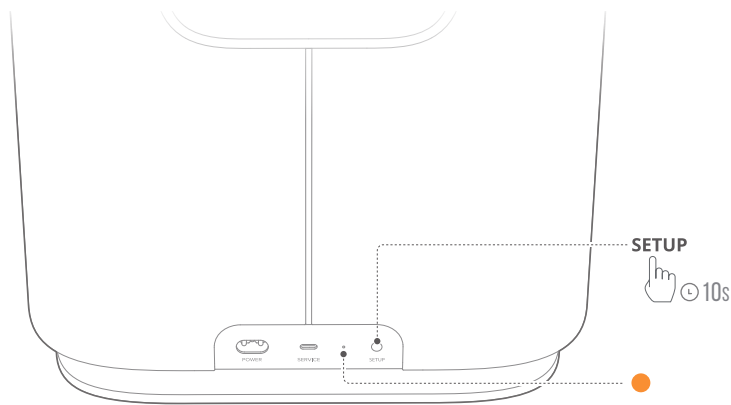
c) Group the subwoofer with your Enchant soundbar as a multi-channel sound system.



→ ○ (Solid white): The subwoofer is connected to the Enchant soundbar.

# 6 RESTORE FACTORY SETTINGS

On the subwoofer, hold **SETUP** for more than 10 seconds to restore the factory default settings.



- ● (Solid amber): Restoring factory settings
- When the factory restore is complete, the subwoofer automatically restarts.

# 7 PRODUCT SPECIFICATIONS

## General Specification

- Model: ENCHANT SUB
- Power supply: 100 - 240 V AC, ~50 / 60 Hz
- Output power (RMS @THD 1%): 100 W
- Transducer: 1x 6.5" (164 mm) subwoofer
- Networked standby power: < 2.0 W
- Operating temperature: 0°C - 45°C

## Wireless specification

- Wi-Fi network: IEEE 802.11 a/b/g/n/ac/ax (2.4 GHz / 5 GHz)
- 2.4G Wi-Fi transmitter frequency range: 2412 - 2472 MHz (2.4 GHz ISM Band, USA 11 Channels, Europe and others 13 Channels)
- 2.4G Wi-Fi transmitter power: < 20 dBm (EIRP)
- 5G Wi-Fi transmitter frequency range: 5.15 - 5.35 GHz, 5.470 - 5.725 GHz, 5.725 - 5.825 GHz
- 5G Wi-Fi transmitter power: 5.15 - 5.25 GHz < 23 dBm (EIRP), 5.25 - 5.35 GHz & 5.470 - 5.725 GHz < 20 dBm (EIRP), 5.725 - 5.825 GHz < 14 dBm (EIRP)

## Dimensions

- Product dimensions (W x H x D): 305 x 378 x 225 mm / 12.0" x 14.9" x 8.9"
- Product weight: 6.7 kg / 14.7 lbs
- Packaging dimensions (W x H x D): 380 x 475 x 295 mm / 15.0" x 18.7" x 11.6"
- Packaging weight: 10.1 kg / 22.3 lbs

# 8 TROUBLESHOOTING

Never try to repair the product yourself. If you have problems using this product, check the following points before you request services.

## System

### No response to button presses

- Check if the power cord is plugged into power.
- Restore the subwoofer to factory settings (See “[6 RESTORE FACTORY SETTINGS](#)”).

## Sound

### No sound from subwoofer

- Make sure that the subwoofer is connected to power.
- Make sure that the subwoofer is wirelessly connected to the Enchant soundbar (See “[5 SETUP](#)”).

## Wi-Fi

### Failed to connect to Wi-Fi.

- Make sure that you have selected the right network and entered the correct password.
- Make sure that your router or modem is turned on and within the range.
- Make sure that your subwoofer is connected to the same wireless network as your smartphone or tablet.
- If you have difficulties in setting up Wi-Fi, press **SETUP** twice to re-enter the setup mode (See “[5 SETUP](#)”).

# 9 TRADEMARK



Wi-Fi CERTIFIED 6™ and the Wi-Fi CERTIFIED 6™  
Logo are trademarks of Wi-Fi Alliance®.

# 10 OPEN SOURCE LICENSE NOTICE

This product contains open source software licensed under GPL. For your convenience, the source code and relevant build instruction are also available at

[https://harman-webpages.s3.amazonaws.com/Harman\\_One\\_OS\\_C\\_package\\_license\\_list.htm](https://harman-webpages.s3.amazonaws.com/Harman_One_OS_C_package_license_list.htm)

Please feel free to contact us at:

Harman Deutschland GmbH

ATT: Open Source, Gregor Krapf-Gunther, Parkring 3

85748 Garching bei Munchen, Germany

or [OpenSourceSupport@Harman.com](mailto:OpenSourceSupport@Harman.com) if you have additional question regarding the open source software in the product.

**harman / kardon**<sup>®</sup>  
by **HARMAN**