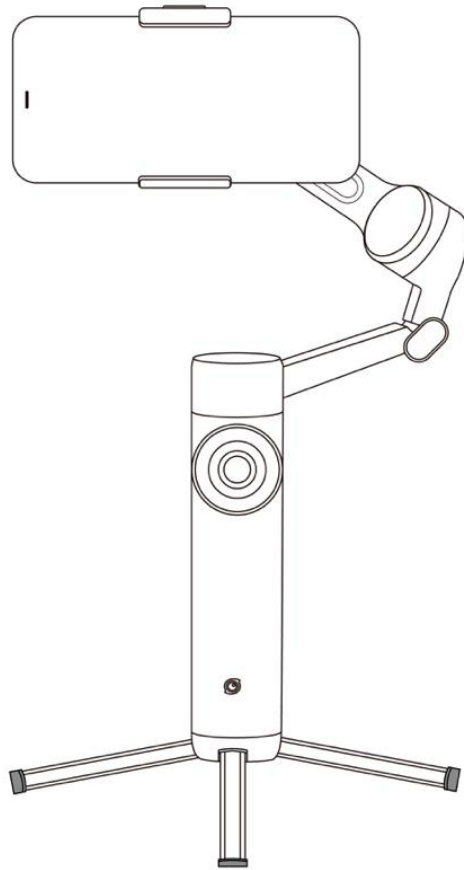


Insta360 Flow 2

User Manual

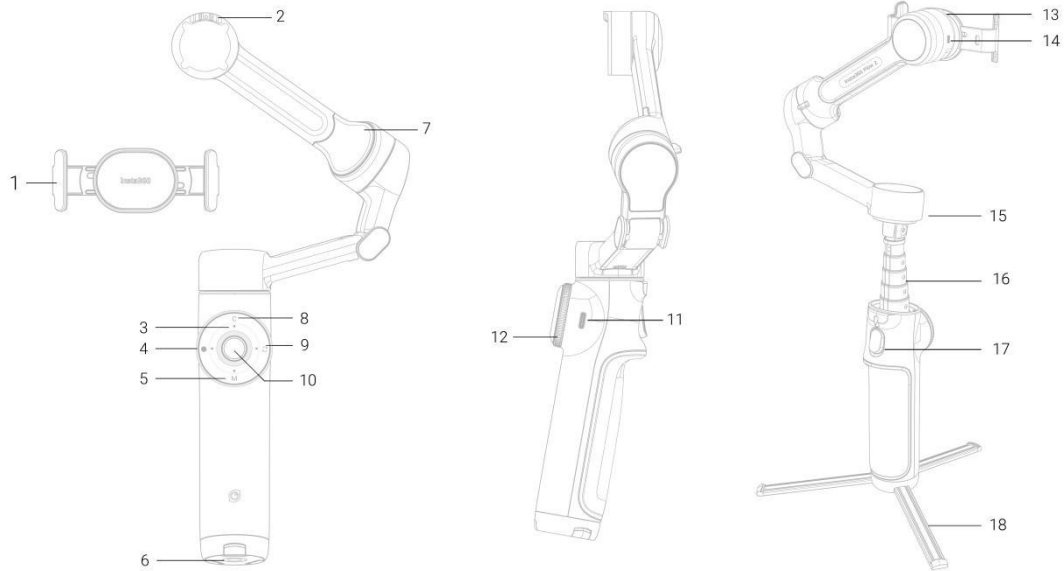


Content

PRODUCT INTRODUCTION	1
Flow 2 Introduction	1
FIRST USE	2
Charging	2
Unfolding and Folding	3
Finding Your Serial Number	6
Activation	7
One-Tap Pairing Via NFC and Tracking (iOS)	8
One-Tap Pairing Via NFC and Tracking (Android)	10
BASIC USE	12
Button Instructions	12
Interfaces	17
Gimbal Modes	19
Gimbal Grips	20
Manual Rotation	22
Indicator Lights	22
INSTA360 APP	24
Connect to the Insta360 app	24
Shooting Interface	25
Apple Watch Control	29
FIRMWARE UPDATE	31

Product Introduction

Flow 2 Introduction



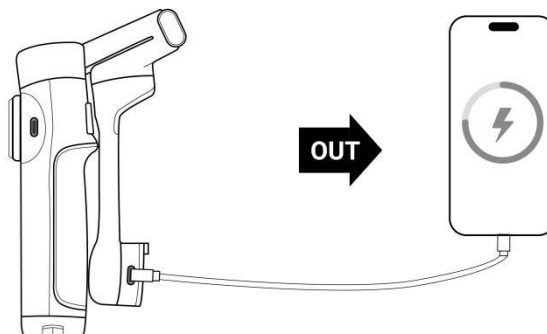
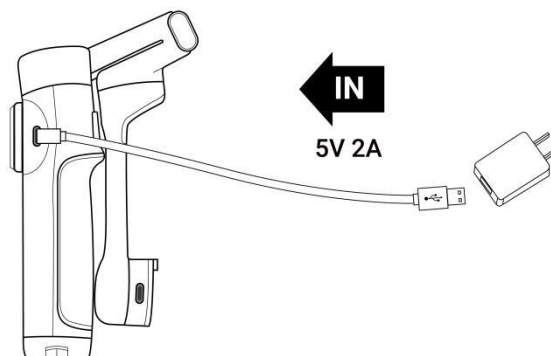
1. Magnetic Phone Clamp
2. Magnetic Alignment
3. Battery Level/Gimbal Mode Indicator Lights
4. Shutter Button
5. Power Button (M Button)
6. 1/4" Mounting Point
7. Tilt Axis Motor
8. C Button
9. Switch Button
10. Joystick
11. Power Input Port (Type-C)
12. Zoom Wheel
13. Roll Axis Motor
14. Power Output Port (Type-C)
15. Pan Axis Motor
16. Built-In Selfie Stick
17. Trigger Button
18. Built-In Tripod

First Use

Charging

Use the included Type-C Cable to connect the "IN" Port on the handle to the charger. The battery level indicator lights will change during charging according to the remaining power level. All four indicator lights turning solid means charging is complete.

Flow 2 features two Type-C ports. The "IN" Port on the handle is the charging port, which is used to charge the gimbal. The "OUT" Port located on the arm is the power output port. To use Flow 2 as a power bank while it is off, connect your phone to the "OUT" port and press the Power/M Button once to begin charging.



Flow 2 Charging Time:

- 0–80% in 55 minutes
- 0–100% in 120 minutes

*Measured at 77°F (25°C) using a 10W charger.

Unfolding and Folding

Mounting a Phone

Attach the Phone to the Magnetic Clamp

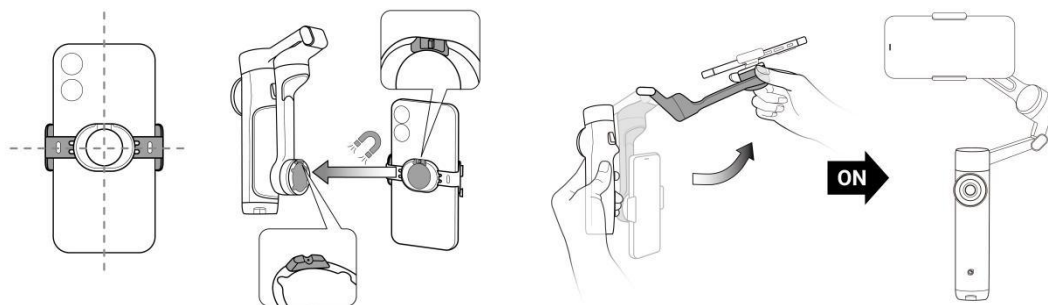
- Extend the Magnetic Phone Clamp around the middle of your phone, following the icon on the clamp's right side.
- Ensure the phone's camera faces the direction marked on the Magnetic Phone Clamp.

Attach the Clamp to the Gimbal

- Align the magnetic notch on the back of the clamp with the raised bump on the gimbal's magnetic surface.
- Match the magnetic groove on the clamp with the red dot (Magnetic Alignment) on the gimbal. Securely attach the clamp.

Unfold and Power On

- Hold the handle with one hand and pull the arm outward with the other to unfold the gimbal.
- The gimbal powers on automatically. Wait for the indicator light to activate, signaling it's ready for use.



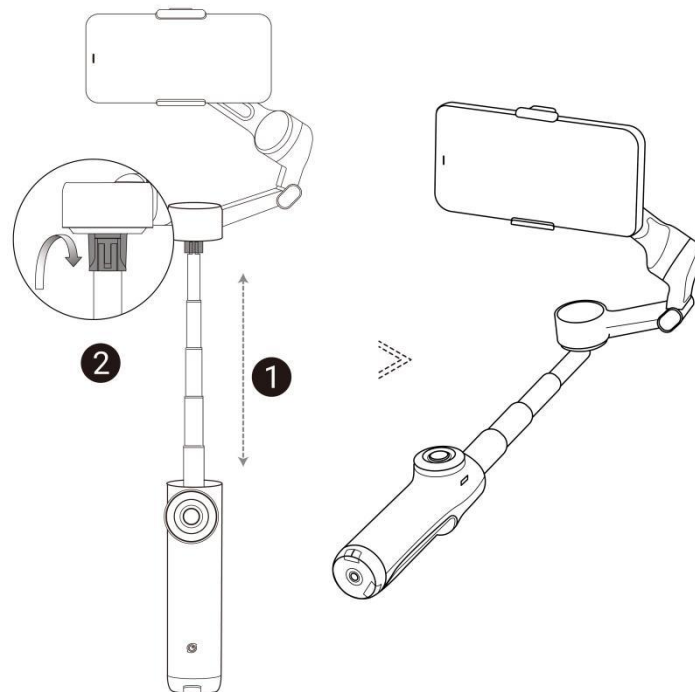
Notes:

- Ensure the Magnetic Phone Clamp is centered on your phone for an even, secure fit. Attach the clamp to the phone first before mounting it on the gimbal.
- The phone's camera should match the direction marked on the clamp for proper alignment.
- If the light is solid red and the gimbal isn't functioning, double-check the Magnetic Phone Clamp's attachment.

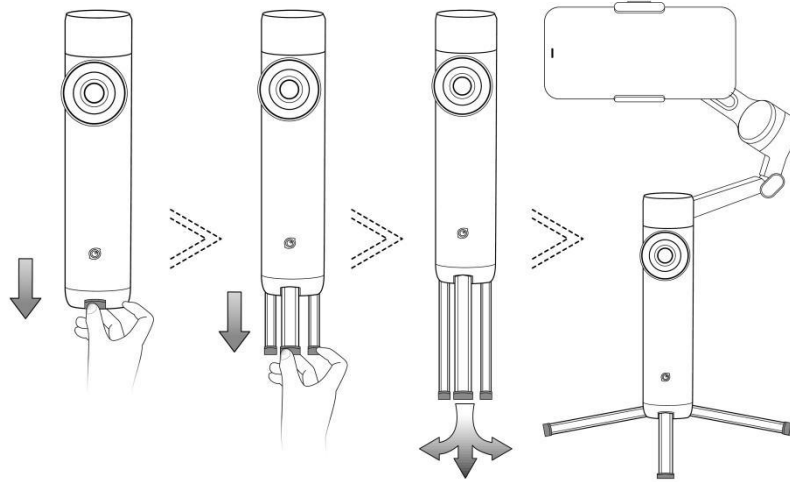
- The Magnetic Phone Clamp is designed for standard handheld use. Avoid high-intensity motion or environments with strong vibrations to prevent accidental detachment.
- When unfolding, adjusting, or folding the gimbal, always hold the handle or arm to prevent detachment. Avoid handling the phone or clamp directly during these actions.
- The gimbal will detect if a phone is mounted within 30 seconds of powering on. If no phone is detected, it automatically enters Standby Mode.

Built-In Selfie Stick and Tripod

Flow 2 comes with a built-in selfie stick and tripod. The selfie stick has five sections and extends to a maximum length of 200mm (7.87in). The angle adjustment range is 0-90°.



Once fully extended and unfolded, use the built-in tripod for hands-free shooting. Avoid windy, unstable environments, including sand.



Notes:

- When pulling out the tripod, pull out all legs together, not individually.
- When storing the tripod, fold the legs first, then slowly push them back in with the palm of your hand.
- If you have the selfie stick extended for a long time, it's recommended to attach an external tripod through the 1/4" screw hole at the bottom of Flow 2's handle for more support and use in a wider range of scenarios.

Folding and Powering Off

1. Long press the Power Button to power off Flow 2.
2. After powering off, hold the phone securely and fold the gimbal arm down to its storage position.
3. Detach the phone and the Magnetic Phone Clamp.



Finding Your Serial Number

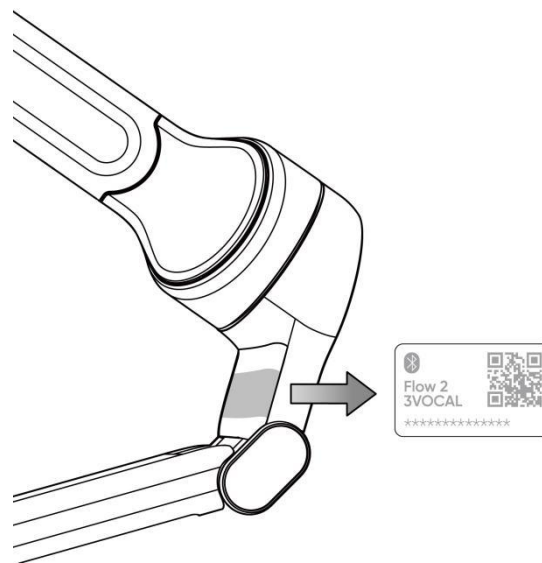
1. Product Box

The serial number is located on the back of the original product box.



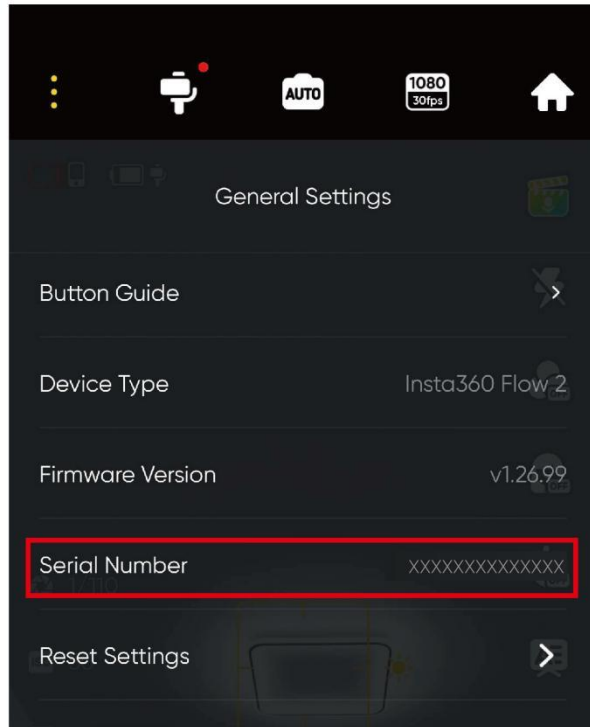
2. Flow 2 Body

You will also find the serial number as shown on the gimbal itself, just below the Tilt Axis Motor.



3. Insta360 App

After connecting the gimbal to the Insta360 app, you can view the serial number in the general settings on the shooting page.



Activation

You will need to activate Flow 2 in the Insta360 app before using it for the first time.

Steps:

1. Download the Insta360 app. Alternatively, search for "Insta360" in the Apple App Store or Google Play Store, or scan the QR code on the box.
2. Enable Wi-Fi and Bluetooth on your phone.
3. Open the Insta360 app. The pop-up window should automatically display "Discover New Devices". Select your device (the name is "Flow 2 *****" by default, where ***** is the last six digits of the serial number, which can be found on the product box or the app), and then follow the on-screen instructions to connect and activate your gimbal.
4. The app will prompt you to update the firmware if a new version is available. Please follow the on-screen prompts to update Flow 2's firmware. Do not power off Flow 2 or exit the Insta360 app during the update.
5. After successful activation, you'll be able to shoot both in the Insta360 app (a pop-up will appear automatically to prompt you to do this) or in your phone's native

camera or third-party apps depending on compatibility.

One-Tap Pairing Via NFC and Tracking (iOS)

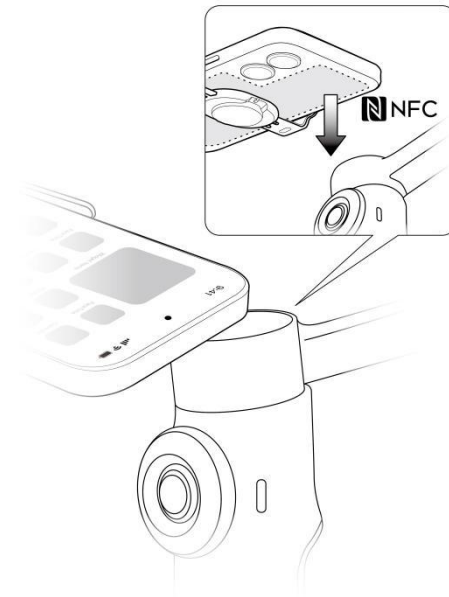
Flow 2 supports NFC pairing with NFC-enabled phones to quickly connect to the gimbal, delivering a more efficient shooting experience.

Notes:

1. **Device Requirements:** Supports iPhone 12 or later model, running iOS 17 or higher (we recommend iOS 18 or higher for enhanced features).
2. **Setup Requirements:** Your phone must be connected to Wi-Fi with both Bluetooth and NFC enabled. During NFC pairing, ensure the phone is unlocked and on the home screen.
3. **NFC Pairing:** After the initial pairing, there's no need to re-align the phone with the NFC area. Simply power on the gimbal, check the phone's Bluetooth is on, mount the phone on the gimbal, and it will automatically reconnect.

Steps:

1. Power on Flow 2.
2. Connect your phone to Wi-Fi, enable Bluetooth and NFC, unlock the phone, and stay on the home screen.
3. Touch your phone's NFC area to the gimbal, wait for the pop-up window, then tap Connect.
4. Mount your phone onto Flow 2. After completing Bluetooth pairing, proceed to the shooting interface. Do not remove the phone from the gimbal during the pop-up pairing process, as this will result in a pairing failure.



If you cannot connect via NFC, please check the following:

1. Ensure the NFC area on your phone is close to the NFC mark on Flow 2. If there is no response, move the phone a few millimeters away, wait for around 10 seconds, then try again.
2. Ensure your phone has NFC enabled.
3. Remove any metal objects in close proximity to Flow 2's NFC area.
4. Ensure only one phone is in contact with Flow 2 at a time.
5. Close any other NFC-enabled applications running on your phone.
6. When pairing, please ensure that the gimbal is turned on, otherwise it may cause connection failure.

Insta360 App Tracking (Deep Track 4.0 & Live Mode):

After connecting to the Insta360 app, you can use Deep Track 4.0 for tracking in third-party apps such as live streaming apps and video calling apps through the Live Mode in the Insta360 app. Head to the shooting page once Flow 2 connects to the Insta360 app.

Notes:

1. Use Deep Track 4.0 in the Insta360 app for greater tracking accuracy and subject recovery in more complicated scenarios.
2. Some button functions are unavailable when using the phone's third-party apps.

For full details, please refer to the [phone compatibility list](#) on the official Insta360 website.

One-Tap Pairing Via NFC and Tracking (Android)

Flow 2 supports NFC pairing with NFC-enabled phones to quickly connect the gimbal. It also automatically launches the Insta360 app for faster shooting.

Notes:

1. **Setup Requirements:** Ensure that the Insta360 app is downloaded on your phone. Your phone must be connected to Wi-Fi with both Bluetooth and NFC enabled. During NFC pairing, ensure the phone is unlocked and on the home screen.
2. **NFC Pairing:** After the initial pairing, there's no need to re-align the phone with the NFC area. Simply power on the gimbal and your phone's Bluetooth, mount the phone on the gimbal, and it will automatically reconnect and launch the Insta360 app.

Steps:

1. NFC pairing can be done with the gimbal either folded or unfolded.
2. Turn on NFC, Wi-Fi and Bluetooth, and keep your phone unlocked on the home screen.
3. Place your phone's NFC area close to the gimbal's pairing area. A pop-up will appear on the phone. Tap it, and the Insta360 app will automatically open.
 - **Note:** The pop-up interface may vary across different phone models. For some models, the app will open automatically without needing to click the pop-up. Please follow the on-screen prompts.
4. Once the app is opened, attach your phone to the gimbal. After the gimbal is unfolded, the app will automatically open the shooting page, where you can use the tracking functionality within the app.
5. After connecting, you can control the native camera for shooting or use the Insta360 app for shooting and tracking.
 - Android phones support the following two tracking modes:
 - **Deep Track 4.0:** Allows tracking of one or more persons within the Insta360 app.
 - **Live Mode:** Tracking in third-party apps such as live streaming apps and

video calling apps through Live Mode.

Notes:

1. The pop-up interface may vary depending on your phone model.* Some models may open the app automatically without needing to tap the pop-up. Please refer to the actual on-screen display.
2. When using the gimbal to control the native camera or third-party apps, some handle functions may be unavailable. Please check the latest [phone compatibility list](#) on the official website.
3. NFC pairing does not support control of the native camera. In this case, please connect the device via the system's Bluetooth settings.
4. During initial pairing, please follow the prompts to check and grant the required app permissions. Otherwise, some gimbal functions may not work properly.

*For example, with certain phone brands:

- **Samsung phones:** Enable "Read/write NFC tags."
- **OPPO phones:** Turn off the NFC Do Not Disturb feature.
- **Xiaomi and Redmi phones:** Allow NFC card reading notifications and select "All cards."
- **vivo and iQOO phones:** Enable the NFC card reading feature.

For other phone models or brands, please refer to the on-screen prompts on your device. If you have any questions, consult the user manual or contact customer support.

If you cannot connect via NFC, please check the following:

1. Ensure the NFC area on your phone is close to the NFC mark on Flow 2. If there is no response, move the phone a few millimeters away, wait for around 10 seconds, then try again.
2. Ensure your phone has NFC enabled.
3. Remove any metal objects in close proximity to Flow 2's NFC area.
4. Ensure only one phone is in contact with Flow 2 at a time.
5. Turn off any other NFC-enabled applications running on your phone.
6. When pairing, please ensure that the gimbal is turned on, otherwise it may cause connection failure.

Basic Use

Button Instructions

When connecting the gimbal via the phone Bluetooth to use the native camera, some button operations may be temporarily unavailable, with full button functionality available through the Insta360 app.

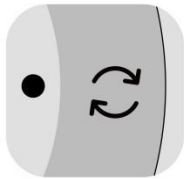
Power Button/M Button



Gimbal Status	Operation	Description
Powered off	Long Press	<ul style="list-style-type: none"> 0.7 seconds: Power on. (Does not work when the gimbal is folded.)
	Single Press	<ul style="list-style-type: none"> Check battery level or charge phone connected via Type-C cable.
Powered on	Long Press	<ul style="list-style-type: none"> 0.7 seconds: Power off. 5 seconds: Force shutdown.
	Single Press	<ul style="list-style-type: none"> Switch to next gimbal mode
	Double Press	<ul style="list-style-type: none"> Switch to previous gimbal mode
	Triple Press	<ul style="list-style-type: none"> Enter Standby Mode. (To exit, press the Power Button, Switch Button, Shutter Button or Trigger Button.)
	Single Press Power Button and Trigger Button	<ul style="list-style-type: none"> Check current battery level.

Viewing footage in preview page (Insta360 app)	Single Press	<ul style="list-style-type: none"> Return to the previous interface
--	--------------	--

Switch Button



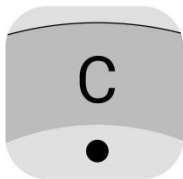
Gimbal Status	Operation	Description
Powered on	Double Press	<ul style="list-style-type: none"> Switch phone's orientation between horizontal and vertical.
	Single Press in Standby Mode	<ul style="list-style-type: none"> Wake up gimbal
Shooting (in the Insta360 app)	Single Press	<ul style="list-style-type: none"> Switch between front and rear cameras.
	Double Press	<ul style="list-style-type: none"> Switch phone's orientation between horizontal and vertical.
	Triple Press	<ul style="list-style-type: none"> Switch between video and photo mode.
	Long Press	<ul style="list-style-type: none"> Switch to preview page.
Viewing footage in preview page (Insta360 app)	Single Press	<ul style="list-style-type: none"> View previous file.

Shutter Button



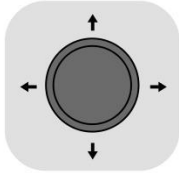
Gimbal Status	Operation	Description
Powered on	Single Press	<ul style="list-style-type: none"> Take photo or start recording video.
	Single Press in Standby Mode	<ul style="list-style-type: none"> Wake up gimbal
Shooting (in the Insta360 app)	Single Press	<ul style="list-style-type: none"> Take photo or start recording video.
	Long Press	<ul style="list-style-type: none"> Start shooting in Burst Mode.
Viewing footage in preview page (Insta360 app)	Single Press	<ul style="list-style-type: none"> Switch to next file.

C Button



Gimbal Status	Operation	Description
Insta360 app open on the shooting page	Single Press	<ul style="list-style-type: none"> Activate One-click 270° Capture
	Double Press	<ul style="list-style-type: none"> Switch to 360° Photo Mode
	Long Press	<ul style="list-style-type: none"> Activate Barrell Roll
The Insta360 App is not opened on the phone	Single Press	<ul style="list-style-type: none"> Activate One-click 270° Capture

Joystick



Gimbal Status	Description
Powered on	<ul style="list-style-type: none"> • Push left or right to change direction of pan axis. Push up and down to change tilt axis direction.
Insta360 app open on the preview page	<p>After zooming in on a clip, you can adjust the screen position:</p> <ul style="list-style-type: none"> • iOS: Adjust the position of photos and videos • Android: Adjust the position of photos

Zoom Wheel



Gimbal Status	Operation	Description
FPV Mode	Turn	<ul style="list-style-type: none"> • Turn clockwise: Rotate roll axis clockwise. • Turn counterclockwise: Rotate roll axis counterclockwise. <p>*Notes:</p> <ol style="list-style-type: none"> 1. The greater the wheel rotation, the faster the speed. 2. Zoom is not available in FPV Mode.
Connected to Insta360 app in Auto, F, and PF Mode	Turn	<p>Zoom:</p> <ul style="list-style-type: none"> • Turn clockwise to the end and hold: Camera zooms in. • Turn counterclockwise to the end and hold:

		<p>Camera zooms out.</p> <p>*You can also turn on the "Manual Focus" function in "Settings - Zoom Wheel" on the shooting page.</p> <p>Preview Page:</p> <ul style="list-style-type: none"> • Turn clockwise: Zoom in on photos/videos. • Turn counterclockwise: Zoom out on photos/videos. <p>*iOS supports use during photo or video playback; Android only supports use during photo playback</p>
--	--	---

Trigger Button






Gimbal Status	Operation	Description
Powered on	Double Press	Recenter the gimbal.
	Triple Press	Change phone between forward-facing and backward-facing.
	Long Press	Enter Lock Mode (release to exit).
	Single Press in standby mode	Wake up gimbal.
	Single Press then Long Press	Enter Active+ Mode (release to exit).
Connected to Insta360 app	Single Press on the Shooting Page	Start/stop tracking. *Supports iOS/Android phones with Deep Track 4.0 in the Insta360 app or Live Mode in third-party apps.
	Single Press on the Preview Page	Play/pause a video.

	Single Press on the Home Page	Enter shooting interface.
--	-------------------------------	---------------------------

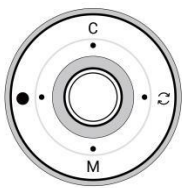
Combination Reset: To reset Bluetooth, press and hold the Trigger and Shutter Buttons for 3 seconds simultaneously. To check current battery level, single press Power Button and Trigger Button simultaneously.

Interfaces

Interface Type	Function
Power Input Port (Type-C) 	Connect the charging cable to charge Flow 2. Flow 2 can be used while charging.
Power Output Port (Type-C) 	Use Flow 2 as a power bank. Connect the cable to a phone or other device and press the Power/M Button to charge.

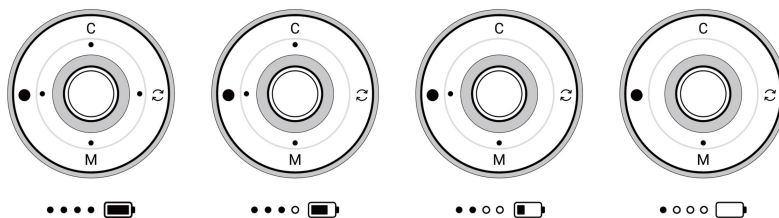
<p>1/4" Mounting Point</p> 	<p>Connect to other accessories, such as a tripod.</p>
--	--

Battery Level/Gimbal Mode Indicators



Gimbal Status	Operation	Descriptions
Powered off	Single Press Power Button	<ul style="list-style-type: none"> Check current battery level.
Powered on	Single Press Power Button and the Trigger Button	<ul style="list-style-type: none"> Check current battery level.
	/	<ul style="list-style-type: none"> Shows current gimbal mode: AUTO = Auto, F = Follow, PF = Pan Follow, FPV = FPV.

LED Indicator Lights Status



All four LEDs blink slowly when Flow 2 is in Standby Mode.

All four LEDs blink quickly when an error has occurred. The two most common reasons are:

- Flow 2 is physically prevented from moving or is experiencing a technical error. Remove any obstacles, then press any button.

- The phone is not centered or secure in the phone clamp. This may lead to abnormal motor heating and trigger Flow 2's overheating protection. Please recenter and secure the phone.

Gimbal Modes

When Flow 2 is turned on, you can choose from five gimbal modes: Auto (on by default), Follow, Pan Follow, FPV and Lock Mode.

- **Auto Mode (AUTO):**

Beginner-friendly mode that automatically adjusts tilt and pan axis settings based on your movements (e.g., running vs stationary), making it easier to shoot stable videos.

- **Follow Mode (F):**

The tilt and pan axes follow the movement of the handle, and tracking is more sensitive than Auto Mode. Suitable for vertical movements from a view to a subject and tilt and pan movements.

- **Pan Follow Mode (PF):**

The pan axis follows the movement of the handle while the tilt and roll axes are locked. Suitable for shooting horizontally or around a subject with a locked horizon.

- **FPV Mode (FPV):**

The gimbal can rotate freely to follow the movements of the handle in any direction, making it suitable for a wider range of creative shots. Turn the Zoom Wheel to control the roll axis and spin the phone.

- **Lock Mode (L):**

Press and hold the Trigger Button to enter Lock Mode, which locks all three axes. The phone's orientation will remain fixed, regardless of handle movement. This is ideal for follow shots or hyperlapses where you need to keep the camera pointed at a specific target. Release the trigger to exit.

In this mode, the three-axis motors are locked, and the mobile phone remains unchanged in its movement.

Switch on **Active+ Mode** for fast-moving scenes. It provides a faster response speed in any of the four gimbal modes on the Touch Panel.

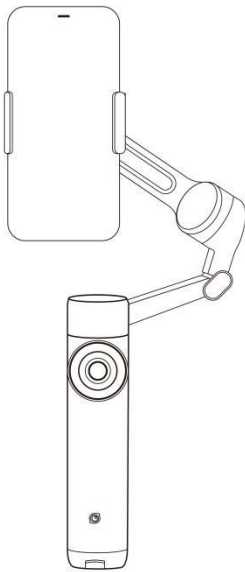
Press the Trigger Button once, then immediately press it again and hold to enable Active+. The indicator lights blink in the current gimbal mode. Release the Trigger Button again to exit.

Gimbal Grips

Flow 2 has the following four grip positions:

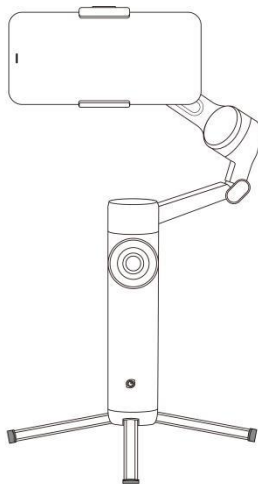
- **Quick Grip:** Unfold the gimbal in one motion for quick, on-the-go shooting.

Do not extend the tripod or selfie stick.



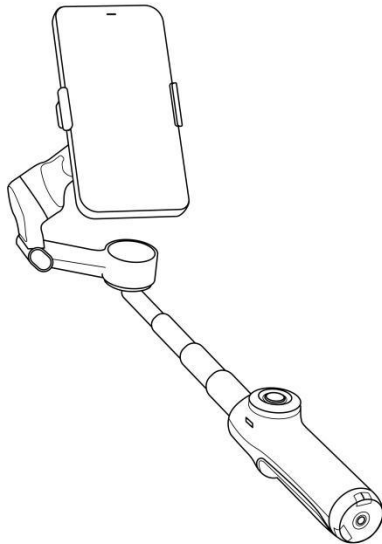
- **Tripod Fixed Mode:** Ideal for shooting static scenes and using Deep Track 4.0.

Pull out the tripod legs from the bottom of the gimbal, place it in a steady spot, and use it for fixed-position shooting.



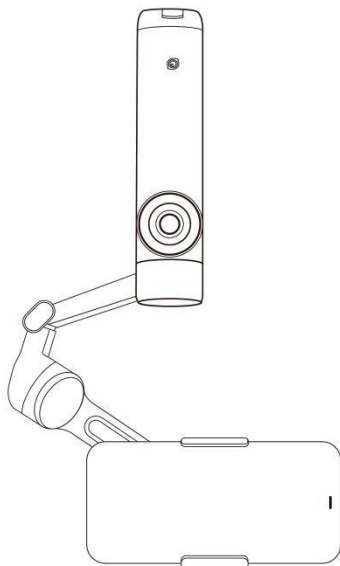
- **Low Grip:** Provides a more comfortable grip. Suitable for push-through and low-angle shots.

1. Pull out the selfie stick.
2. Extend the selfie stick slightly and bend the hinge at its base to a 90° angle. This creates a handle for capturing low-angle shots comfortably.



- **Underslung Grip:** Provides a more comfortable grip. Shoot close to the ground for low-angle shots.

1. Turn Flow 2 upside down 180°.

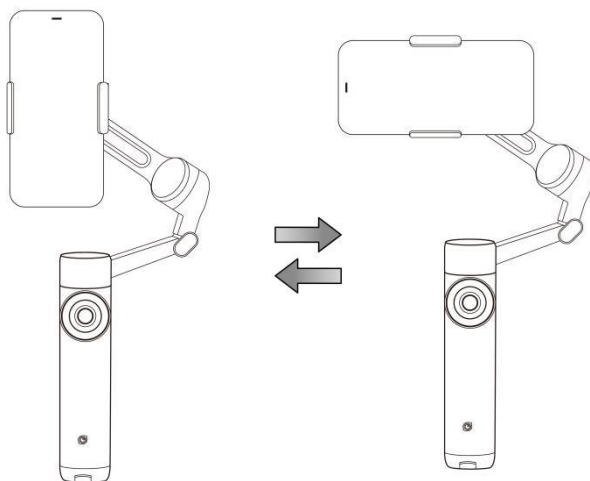


Manual Rotation

You can manually change the phone's orientation by tilting the gimbal handle. This works in two ways:

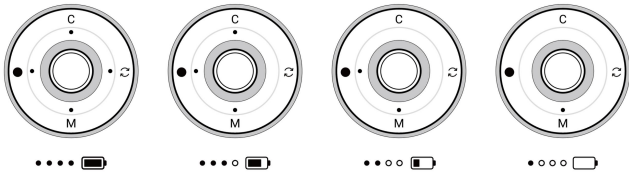
- **Fine Adjustments:** For small angle corrections, tilt the handle slightly (less than 30°). The phone will precisely follow your movement, allowing you to get the perfect angle.
- **Quick Orientation Swap:** To quickly switch between portrait (vertical) and landscape (horizontal) mode, tilt the handle firmly (more than 30°). The gimbal will automatically complete a full 90° rotation.

Note: This feature is designed to switch between horizontal and vertical orientations. Do not try to force the gimbal to rotate in other directions, as this may cause the motor to stall or use excess power.



Indicator Lights

Status	Indicator Light Status
Power on	The four indicator lights light up one by one clockwise.
Standby Mode	Gimbal Mode Indicator Lights: All 4 lights slowly flashing at the same time.
Power off	After all four indicator lights are on, they turn off one by one in a counterclockwise direction.

<p>Alignment error (Magnetic Phone Clamp)</p>	<p>Gimbal Mode Indicator Lights: Top light solid red.</p>
<p>Charging</p>	<ul style="list-style-type: none"> The Gimbal Mode Indicator Lights will display the charging status light. If you switch the shooting mode, the lights will display the selected mode for 3 seconds and then return to indicate charging. The Gimbal Mode Indicator Lights display the charging status light when the gimbal is charging. You can press the Power Button to check the battery level, which will be displayed for 3 seconds, and then the indicator lights will return to indicate charging. 
<p>Firmware update</p>	<ul style="list-style-type: none"> Gimbal Mode Indicator Lights light up one by one, with a 0.2-second interval. Once the update is complete, all four will light up at the same time, then turn off. Flow 2 will restart after 1 second.
<p>Low battery</p>	<p>Gimbal Mode Indicator Lights: The indicator light at the bottom blinks rapidly when the battery level falls below 6%.</p>
<p>Gimbal abnormality</p>	<p>Gimbal Mode Indicator Lights: All 4 lights rapidly flashing at the same time.</p>

Insta360 App

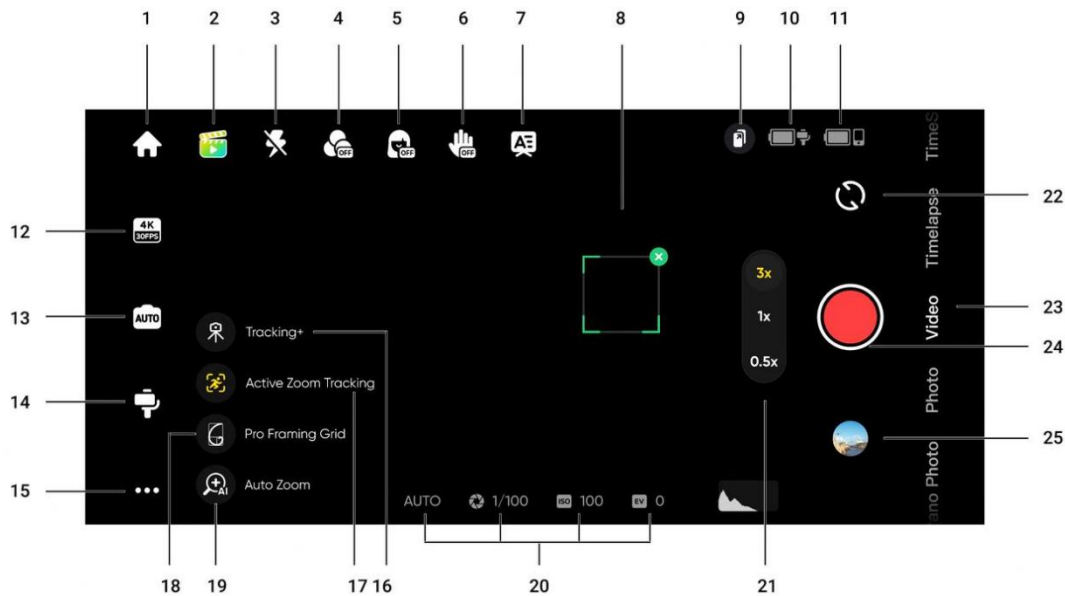
Connect to the Insta360 app

1. Power on Flow 2.
2. Turn on your phone's Bluetooth and Wi-Fi.
3. Open the Insta360 app and tap the camera icon at the bottom of the page. Follow the on-screen instructions to activate your gimbal.
4. The first time you connect to the Insta360 app, you need to authorize the connection and provide information. This requires an internet connection.
5. After successful activation, open the Insta360 app to start shooting.

Can't connect to the Insta360 app?

1. Ensure the Insta360 app is updated to the latest version, restart Flow 2 and the app and reconnect.
2. If you still can't connect, cancel Bluetooth pairing, turn off your phone's Bluetooth, and try again.
3. If connection fails, press the Trigger Button and the Shutter Button at the same time and hold for 3 seconds to reset Bluetooth. Once successful, you will hear three beeps. Then, try to connect to the app again.

Shooting Interface



1. Home: Return to the home page.
2. Shot Lab: Provides AI shooting tutorials and ideas tailored to the environment. There are two ways to access templates:
 - Scene Recognition: Enable or disable in General Settings. AI will analyze the current scene in Video Mode and match it to a shooting scenario.
 - Voice Control: Enabled by default. Tap the icon and it will provide shooting suggestions based on the keywords you provide. Enable or disable in General Settings.
3. Flash: Adjust the flash.
4. Filter: Select a photo or video filter.
5. Face Filter: Turn the Face Filter function on or off.
6. Gesture Control: Display Gesture Control settings and select from Capture, Single-Person Tracking, Multi-Person Tracking. When Gesture Control is enabled, face the camera with your full face visible and use gestures to interact: "👉" triggers shooting, "👉" activates single-person tracking, and "👉" activates multi-person tracking, all people in the frame are selected for tracking by default, with a maximum of 8 individuals. To stop recording, repeat the gesture.

Note: Gesture Control works up to 13.1ft (4m) away from Flow 2. This feature consumes more power and may cause the gimbal to heat up.

7. Teleprompter: Before recording, you can enter text that will automatically scroll

on-screen while you record.

8. **Tracking Box:** Supports manually selecting a single person or group. Flow 2 can automatically track selected targets so they stay in a frame within the tracking box. The default position is in the center of the screen, but it can be adjusted manually using the Joystick while tracking. In multi-person tracking, the subject outlined in green is the primary tracking target, while other targets are outlined in white. You can switch the primary target by tapping.

9. **Smartphone Remote Control:** Scan the QR code with another phone to preview in real-time or remotely control the gimbal for shooting. Ensure both phones are connected to the internet using one of these methods:

- Both phones use 4G networks: Recommended when both phones have a good signal.
- Connect the secondary phone to the main phone's hotspot: Recommended when there's poor phone signal.
- Connect both phones to the same Wi-Fi network.

Note: No additional app is required for secondary screen control. Android and iOS devices are cross-compatible for remote control. This feature currently does not support 4K60fps. Before using the secondary phone in landscape, you will need to lock the secondary phone's screen orientation.

10. **Flow 2 Battery Level:** Displays Flow 2's current battery level.

11. **Phone Battery Level:** Displays the phone's current battery level.

12. **Resolution and Frame Rate:** Set resolution and video frame rate.

13. **Phone Camera Settings:** Adjust settings such as shutter speed, ISO, EV, and WB.

14. **Flow 2 Settings:** Tap to display the gimbal mode and related settings.

- **Gimbal Mode:** Select from Auto, F, PF and FPV.
- **Zoom Wheel:** Select from Zoom Control, Manual Focus Control.
- **Motor Strength:** Select from High, Medium, or Low.
- **Follow Speed:** Controls how fast the gimbal reacts to movement. Set to fast, medium or slow.
- **Joystick Speed:** Set to fast, medium or slow.
- **Barrel Roll Speed:** Long press the C Button to initiate a rotating shot, with options to configure the speed. Set to fast, medium or slow.

- Barrel Roll Direction: Select clockwise or counterclockwise.
- Zoom Speed: Set to linear, fast, medium or slow.
- Front Cam Auto Tracking: When turned on, Flow 2 will track subjects using the front camera instead of the rear camera.
- Always-On Tracking: When turned on, Flow 2 keeps tracking the subject (people only) until they reappear in the shot.
- Tracking Sensitivity (Android only): Sets the tracking responsiveness for a subject.
- Horse Tracking: Turn on/off. Once turned on, press the Trigger Button or manually draw a box around the horse you wish to track.
- Reverse Joystick Horizontally: Turn on to reverse the direction of pan axis movement when using the joystick.
- Reverse Joystick Vertically: Turn on to reverse the direction of tilt axis movement when using the joystick.
- Flow 2 Sound and Vibration: Turn Flow 2's sound and vibration on or off (Bluetooth reset tone cannot be turned off).
- Auto Calibration: If phone alignment seems off and you've attached your phone correctly, try auto calibration to correct the position. Follow the on-screen prompts to complete the process. Do not touch Flow 2 during calibration.
- Adjust Horizontal Axis: Another option to fix incorrect alignment. Unfold the tripod and place Flow 2 on a flat surface. Attach your phone, then start the adjustment process. The axis can be tuned in units of 0.1° and the maximum adjustable angle is 10°. Do not manually twist the gimbal axis during calibration.
- Camera Quick Start (Android only): Off by default. After connecting a phone to Flow 2 via Bluetooth for the first time, in future, the phone's native camera will automatically open when you power on the gimbal (Bluetooth must be enabled).

Note: Some phone models, including Meizu, ZTE, and Sony, do not currently support this feature. Please refer to your device's prompts for confirmation.

15. General Settings: Adjust settings such as the Grid, Histogram, Dolby Vision (iOS only), Apple ProRes (iOS only), Scene Recognition and Voice Control, show tutorials and the Button Guide, access product information, and more. *Apple ProRes Compatibility: Requires iPhone 13–16 Pro Max/Pro models with iOS 15.1 or later.

16. Tracking+ (iOS only): Recommended only for stationary shooting using the built-

in tripod. Once enabled, it significantly improves tracking performance. *This feature cannot be toggled during recording.

17. Active Zoom Tracking (iOS only): Before shooting, select the tracking target and turn on Active Zoom Tracking. It enhances tracking for fast-moving subjects during telephoto shots, keeping the subject centered. *This feature cannot be toggled during recording.

18. Pro Framing Grid: 9 composition points are available to customize the subject's position in the frame. To use, select the tracking target first, then choose a composition point. The subject will stay in the selected position, rather than being kept in the center.

19. Auto Zoom: Automatically adjusts the focal length based on the real-time distance of the tracked target (works only for people, not animals or objects).

20. Shooting Parameters: Displays the current exposure, WB, shutter speed, ISO and EV settings.

21. Zoom: Displays the current zoom. Long press the icon to show the zoom dial. Zoom can also be adjusted by placing two fingers on the screen and moving them apart or together.

22. Switch Front and Rear Cameras: Switch between the front and rear cameras. After switching to the front camera, Flow 2 automatically tracks the subject visible from that camera. This option can be disabled in settings.

23. Shooting Modes: Scroll to select a shooting mode:

- Pano Photo: Tap to take a 3x3, 180°, 240°, or 360° panorama photo. Flow 2 automatically captures and stitches multiple photos into a seamless panoramic photo.
- Photo: Supports regular photos and photos with a countdown. Long press the Shutter Button to start shooting in Burst Mode.
- Video: Shoot a normal video.
- Timelapse: Shoot a stationary or motion timelapse. Choose from Fixed Angle, Left to Right, Right to Left, and Custom Track modes. Tap the icon to set the interval duration and length.
- TimeShift: Record a hyperlapse (sped up) video while moving.
- Slow Motion: Shoot a slow motion video at 120fps or 240fps.
- Dolly Zoom: The app automatically zooms in or out of the background to keep the subject the same size in the frame throughout, recreating the classic Hollywood effect.

- Widescreen Mode: The phone automatically adjusts to a horizontal position and starts recording in a 2.35:1 widescreen ratio. Filters are turned on by default.
- Live Mode: Live Mode: Enables Insta360's subject tracking while you are streaming or recording in third-party apps. Follow the on-screen instructions for correct use. During this mode, only people can be tracked.
- Hoop Mode: Set Flow 2 down to record a full-court or half-court basketball game. The AI automatically recognizes your best baskets and saves the highlights as individual clips for easy editing.

24. Shutter Button: Take a photo or start/stop shooting a video.

25. Album: View your previous photos and videos in the album.

Notes:

- Features may vary depending on the shooting mode. Please refer to actual display conditions.
- Flow 2 and the Insta360 app are updated regularly with new features. Please refer to the interface in the latest version of the Insta360 app.
- Settings and supported functions vary depending on the phone model and system. For full details, please refer to the [phone compatibility list](#).

Apple Watch Control

Both the Insta360 app and iOS native camera support real-time preview, remote control of the gimbal, and composition adjustment with Apple Watch.

Notes:

1. Currently only Apple Watches are supported.
2. iOS phones need to be paired with the gimbal via NFC before using this function.
3. If you use your watch to remotely control the native camera, your Apple Watch must be updated to watchOS 11 or later. If you use your watch to remotely control the Insta360 app, your Apple Watch must be updated to watchOS 8 or later.
4. During remote control, avoid exiting the app and ensure both devices are within Bluetooth range.
5. Interface features may vary depending on the shooting mode. Please refer to the

actual display for accuracy.

Native Camera Remote Control

Steps:

1. Install the Insta360 app on your Apple Watch.
2. Enable Bluetooth on both the watch and phone, and ensure they are paired.
3. Mount your phone to Flow 2, ensuring the gimbal is awake.
4. Open the native camera app on both the phone and watch. You can then remotely preview or control the gimbal and camera functions from the watch. Key features include:
 - **Real-Time Preview:** View the camera feed remotely via the watch.
 - **Gimbal/Camera Control:** Control shooting, gimbal centering, switch between front and rear cameras, enable flash, and trigger live photos (in photo mode). Note: Mode switching must be done on the phone. In photo mode, you can enable/disable a 3-second countdown.
 - **Adjust Shooting Angle:** After pressing the Trigger Button and the Tracking Ring Light is on, you can use the arrows in the preview to adjust the gimbal angle remotely. Activate "Quick Rotation" by double-tapping the left or right arrow to rotate the gimbal 180°.

Insta360 App Remote Control

Steps:

1. Install the Insta360 app on your Apple Watch.
2. Enable Bluetooth on both the watch and phone, and ensure they are paired.
3. Mount your phone on Flow 2, ensuring the gimbal is awake.
4. Open the Insta360 app on your phone, then launch the app on your watch and select your device. You can now remotely preview or control the gimbal and camera functions. Key features include:
 - a. **Real-Time Preview:** View the camera feed remotely via the watch.
 - b. **Gimbal Control:** Control shooting, gimbal centering, switch between portrait and landscape modes, switch between video/photo modes, and activate countdown shooting.
 - c. **Adjust Shooting Angle:** Drag the preview area to adjust the gimbal angle remotely.

Firmware Update

Firmware updates will be regularly available for Flow 2 to ensure it runs efficiently. Please update to the latest version for optimal results.

1. Connect Flow 2 to the Insta360 app. The app will prompt you to update the firmware if a new version is available. Please follow the on-screen prompts to update Flow 2's firmware.
2. If the app does not send a prompt, open the Insta360 app, go to Settings, "Firmware Version," and check for a new version.
3. Once the update is complete, Flow 2 will automatically reconnect to the app. You can check if the firmware version is correct by opening the Insta360 app, going to the shooting page and tapping General Settings to view Flow 2's current firmware version, or going to Settings and checking it in "Firmware Version".

Arashi Vision Inc.

ADD: 11th Floor, Building 2, Jinlitong Financial Center, Bao'an District, Shenzhen, Guangdong, China

WEB: www.insta360.com

TEL: 400-833-4360 +1 800 6920 360

EMAIL: service@insta360.com

V1.0