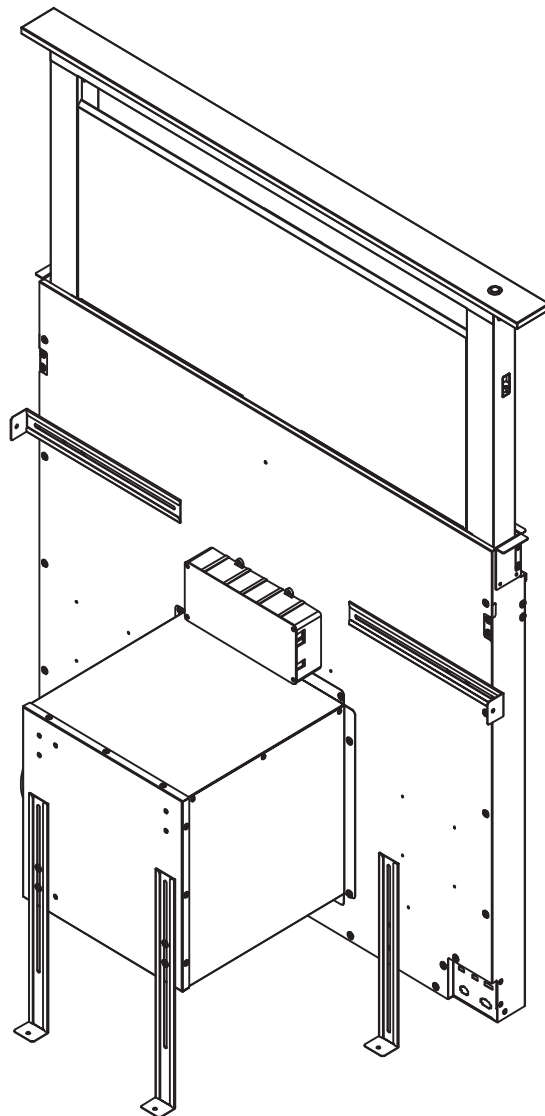


Treviso

ZTV-E30AS, ZTV-E36AS

EN Use, Care, and Installation Guide

FR Guide d'utilisation, d'entretien et d'installation



ACT™
Airflow Control Technology

Register Your Product Today
zephyronline.com/registration



	Page
Safety Information	4-6
Types of Safety Warnings.....	4
General Safety	4-5
Operation	5
Electrical Requirements	6
List of Materials.....	7
Installation Instructions.....	8-22
Hood Specifications.....	8
Parts Identification	9
Planning	10
Taking Measurements.....	10
Ducting Calculation Sheet.....	11
Ducting Options	12
Planning the Cabinet Cutouts	13
Planning the Electrical.....	14
Preparing the Downdraft.....	15-16
Cutting the Countertop Opening	17-18
Mounting the Downdraft	19
Installing the Ductwork	20
Powering the Downdraft.....	20
Ductless Recirculation	21
Recirculating Kit Installation	22
Features & Controls.....	19
Up/Down Button & Mechanical Slide Controls	19
Maintenance	23
Hood & Filter Cleaning.....	23
ACT™ Conversion.....	24-25
Airflow Control Technology (ACT™)	24
Enabling ACT™	25
Wiring Diagram	26
Troubleshooting.....	27
List of Parts & Accessories	28
Limited Warranty	29
Product Registration.....	30

Safety Information

READ AND SAVE THESE INSTRUCTIONS

Your safety and the safety of others are very important. We have provided many important safety messages in this manual for your appliance. Always read and obey all safety messages.



This is the Safety Alert Symbol. This symbol alerts you to potential hazards that can cause severe bodily injury or death. All safety messages will follow the Safety Alert Symbol and either the words “DANGER” “WARNING” or “CAUTION”



General Safety



WARNING - TO REDUCE THE RISK OF FIRE, ELECTRIC SHOCK, OR INJURY TO PERSONS, OBSERVE THE FOLLOWING:

- Use this unit only in the manner intended by the manufacturer. If you have questions, contact the manufacturer.
- Before servicing or cleaning unit, switch power off at service panel and lock the service disconnecting means to prevent power from being switched on accidentally. When the service disconnecting means cannot be locked, securely fasten a prominent warning device, such as a tag, to the service panel.



WARNING - TO REDUCE THE RISK OF A RANGE TOP GREASE FIRE:

- Never leave surface units unattended at high settings. Boilovers cause smoking and greasy spillovers that may ignite. Heat oils slowly on low or medium settings.
- Always turn hood ON when cooking at high heat or when flambeing food. (i.e. Crepes Suzette, Cherries Jubilee, Peppercorn Beef Flambe’).
- Clean ventilating fans frequently. Grease should not be allowed to accumulate on fan or filter.
- Use proper pan size. Always use cookware appropriate for the size of the surface element.



READ AND SAVE THESE INSTRUCTIONS



WARNING - TO REDUCE THE RISK OF INJURY TO PERSONS IN THE EVENT OF A RANGE TOP GREASE FIRE, OBSERVE THE FOLLOWING^o:

- a) **SMOTHER FLAMES** with a close-fitting lid, cookie sheet, or metal tray, then turn off the burner. **BE CAREFUL TO PREVENT BURNS.** If the flames do not go out immediately, **EVACUATE AND CALL THE FIRE DEPARTMENT.**
- b) **NEVER PICK UP A FLAMING PAN** – You may be burned.
- c) **DO NOT USE WATER**, including wet dishcloths or towels – a violent steam explosion will result.
- d) Use an extinguisher **ONLY** if:
 - 1) You know you have a Class ABC extinguisher, and you already know how to operate it.
 - 2) The fire is small and contained in the area where it started.
 - 3) The fire department is being called.
 - 4) You can fight the fire with your back to an exit

^oBased on “Kitchen Firesafety Tips” published by NFPA.



WARNING - TO REDUCE THE RISK OF FIRE, ELECTRIC SHOCK, OR INJURY TO PERSONS, OBSERVE THE FOLLOWING:

- a) Installation work and electrical wiring must be done by qualified person(s) in accordance with all applicable codes and standards, including fire-rated construction.
- b) Sufficient air is needed for proper combustion and exhausting of gases through the flue (chimney) of fuel burning equipment to prevent back drafting. Follow the heating equipment manufacturer’s guideline and safety standards such as those published by the National Fire Protection Association (NFPA), and the American Society for Heating, Refrigeration and Air Conditioning Engineers (ASHRAE), and the local code authorities.
- c) When cutting or drilling into wall or ceiling, do not damage electrical wiring and other hidden utilities.
- d) Ducted fans must always be vented to the outdoors.
- e) If this unit is to be installed over a tub or shower, it must be marked as appropriate for the application and be connected to a GFCI (Ground Fault Circuit Interrupter) - protected branch circuit.

Operation

- ▶ Always leave safety grilles and filters in place. Without these components, operating blowers could catch onto hair, fingers and loose clothing.
- ▶ The manufacturer declines all responsibility in the event of failure to observe the instructions given here for installation, maintenance and suitable use of the product. The manufacturer further declines all responsibility for injury due to negligence and the warranty of the unit automatically expires due to improper maintenance.
- ▶ There shall be adequate ventilation of the room when the range hood is used at the same time as appliances burning gas or other fuels.
- ▶ There is a fire risk if cleaning is not carried out in accordance with the instructions.
- ▶ Do not flame under the range hood.
- ▶ The air must not be discharged into a flue that is used for exhausting fumes from appliances burning gas or other fuels.
- ▶ If the SUPPLY CORD is damaged, it must be replaced by the manufacturer, its service agent or similarly qualified persons in order to avoid a hazard.

NOTE: Please check www.zephyronline.com for revisions before doing any custom work.

READ AND SAVE THESE INSTRUCTIONS

Electrical Requirements

Important:

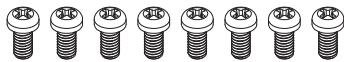
- ▶ Observe all governing codes and ordinances.
- ▶ It is the customer's responsibility to be aware of these below:
- ▶ To contact a qualified electrical installer.
- ▶ To assure that the electrical installation is adequate and in conformance with National Electrical Code, ANSI/NFPA 70 latest edition* or CSA standards C22.1-94, Canadian Electrical Code, Part 1 and C22.2 No.0-M91 - latest edition** and all local codes and ordinances.
- ▶ If codes permit and a separate ground wire is used, it is recommended that a qualified electrician determine that the ground path is adequate.
- ▶ Do not ground to a gas pipe.
- ▶ Check with a qualified electrician if you are not sure the range hood is properly grounded.
- ▶ Do not have a fuse in the neutral or ground circuit.
- ▶ This appliance requires a 120V 60Hz electrical supply and connected to an individual properly grounded branch circuit protected by a 15 or 20 ampere circuit breaker or time delay fuse. Wiring must be 2 wire with ground. Please also refer to Electrical Diagram on product.
- ▶ Instructions for bonding the appliance to ground:
The grounding-type attachment plug provided with this appliance shall be connected to a grounding-type receptacle installed in accordance with CSA C22.1, Canadian Electrical Code, Part I. In the event of an electrical short circuit, bonding to ground reduces the risk of electric shock.
WARNING: Improper bonding to ground can result in a risk of electric shock.
Consult a qualified electrician if the grounding instructions are not completely understood, or if doubt exists as to whether the appliance is properly bonded to ground. Do not use an extension cord. If the power supply cord is too short, have a qualified electrician install an outlet near the appliance.
- ▶ A cable locking connector (not supplied) might also be required by local codes. Check with local requirements, purchase and install appropriate connector if necessary.

* National Fire Protection Association Batterymarch Park, Quincy, Massachusetts 02269

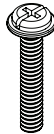
** CSA International 8501 East Pleasant Valley Road, Cleveland, Ohio 44131-5575

Parts Supplied

Quantity	Part
1	Treviso downdraft
2	Grease filters
1	Hardware package



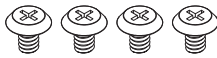
(8) M4 x 8



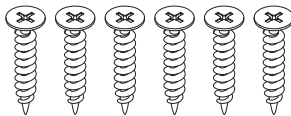
(1) 3/16 x 1", ACT™ Screw



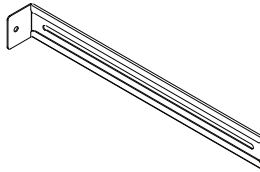
(1) CFM Sticker



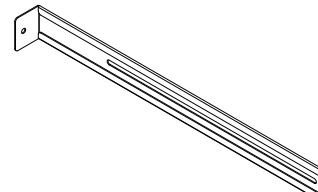
(4) 3/16 x 1/4"



(6) #6 x 1"



(4) 11-1/8" Short Leveling Brackets (A)



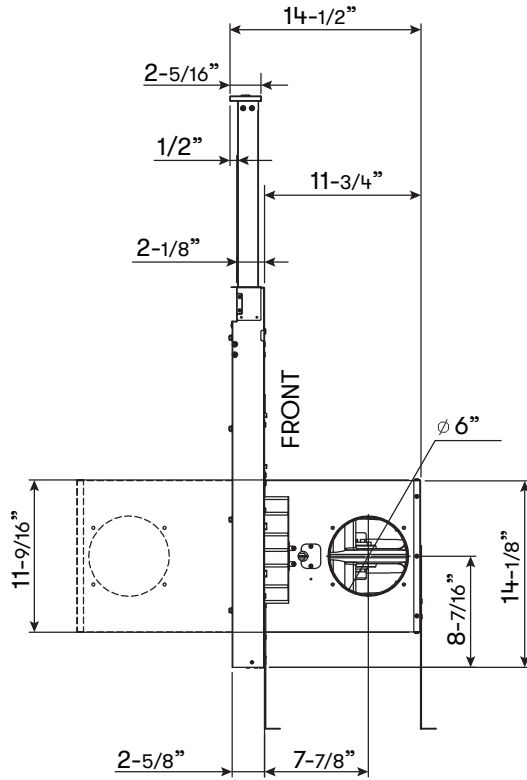
(2) 13-7/8" Long Leveling Brackets (B)

Parts Not Supplied

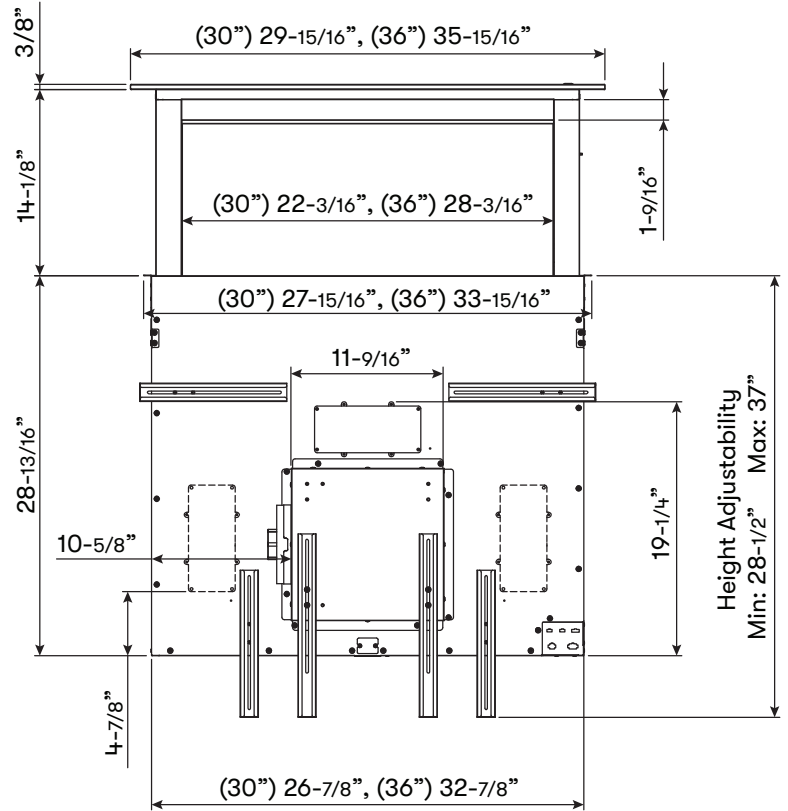
Ducting, conduit and all installation tools
Optional wired remote switch (DDA-0003)
Optional recirculating kit (ZRC-00TV)
Range trim kit, 30" (DDT-0130)
Range trim kit, 36" (DDT-0136)
Make-up air kit, 6" (MUA006A)

Installation Instructions

Hood Specifications

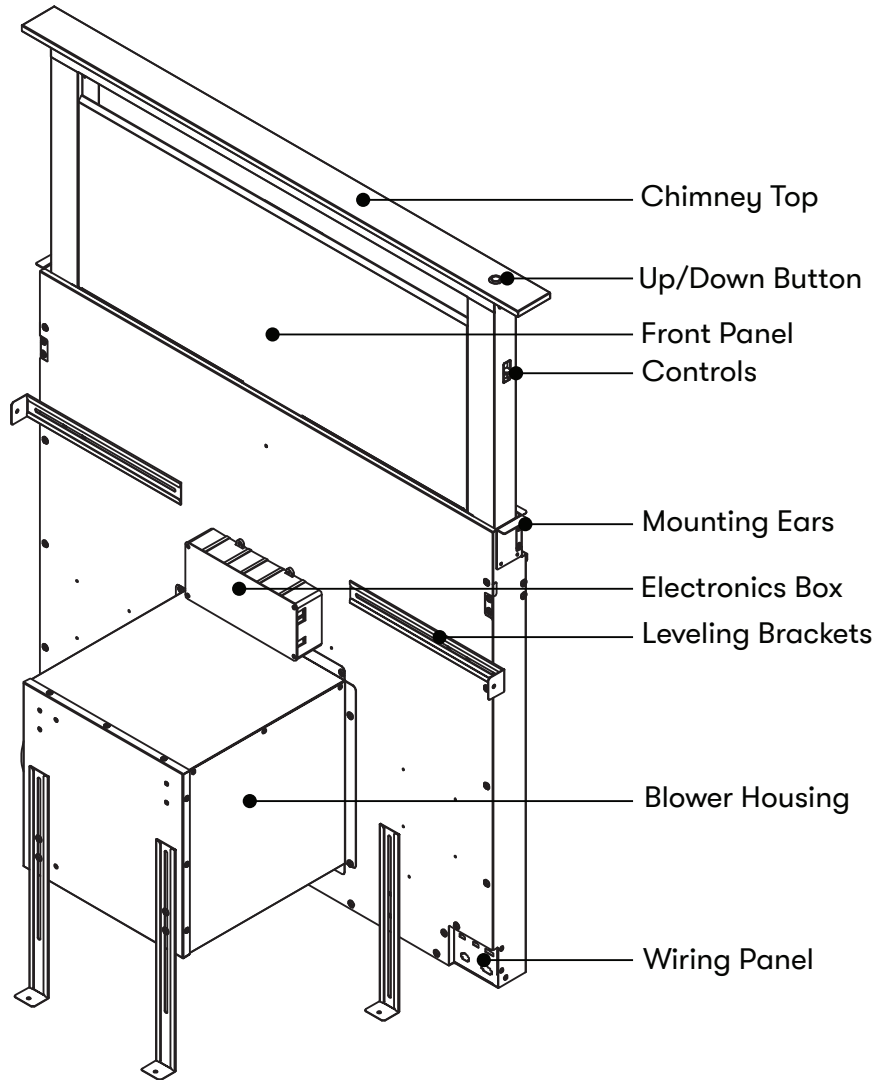


SIDE VIEW



FRONT VIEW

Parts Identification



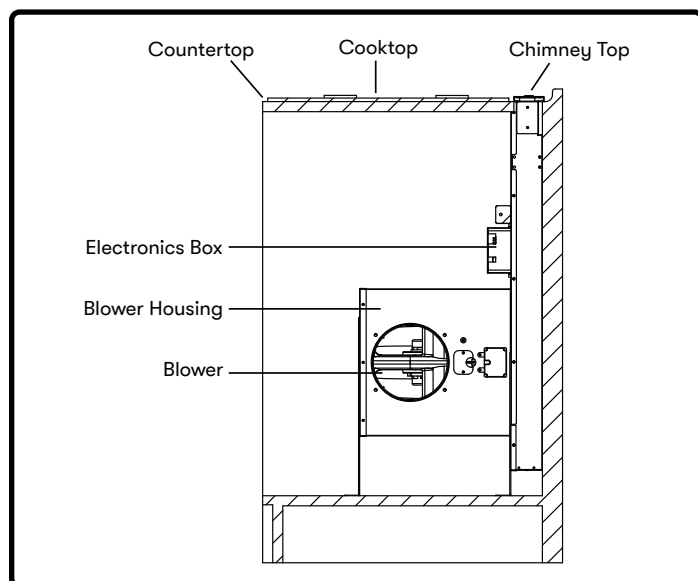
Installation Instructions

Planning

This downdraft blower system is designed to be used to exhaust airborne contaminants when cooking with a variety of gas or electric cooktops. It can be mounted in island, peninsula, or conventional wall locations. This unit can be easily installed following these basic steps:

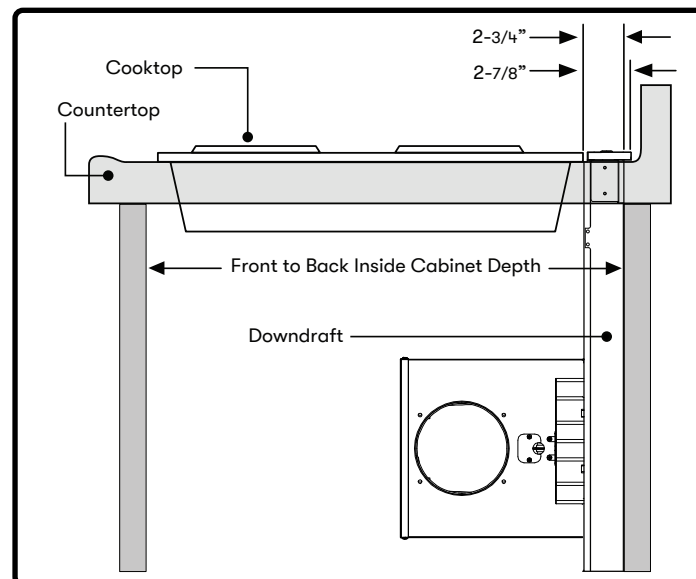
- ▶ Cut out the countertop opening.
- ▶ Mount the unit in the cabinet.
- ▶ Connect the ductwork and electrical.
- ▶ Install the cooktop.

NOTE: The high level of air flow of this appliance may affect the gas flame on some types of gas cooktops. This is NORMAL and will cause no harm, but can be corrected by lowering the speed of the blower.



NOTE: The electronics box can be relocated to the left or right side of the blower housing.

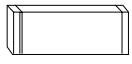

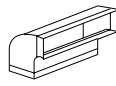
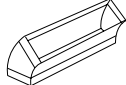
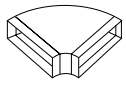
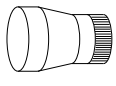
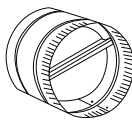
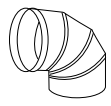
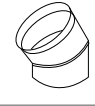
Taking Measurements



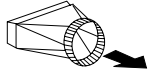
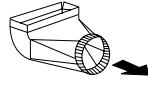
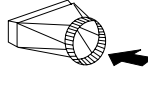
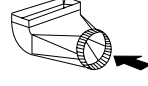
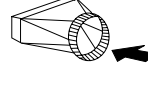
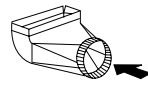
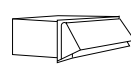
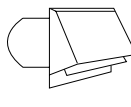

Refer to the cooktop installation instructions for dimensions of cooktops, countertop cut-out, and cabinet requirements. The ZTV-E30AS model will fit in most 30" wide cabinets, and the ZTV-E36AS model will fit in most 36" wide cabinets. However, it is recommended that oversized cabinets be used for easier installation. Custom island designs need to account for deeper cabinets, especially when installed with a range in front of the downdraft or when mounting the blower behind the downdraft. You must also plan for an access door.

Cooktop depth can vary greatly from one to another. This may cause the fit of these two appliances to be rather tight. Pay special attention to the areas of potential interference highlighted above. A countertop with a raised lip (A) and/or a backsplash (B) may not allow enough flat countertop for a proper installation. Note that 2-7/8" of flat countertop is required behind the cooktop and that 2-3/4" is necessary between the back edge of the cooktop and inside of the cabinet back.

Ducting Calculation Sheet

Duct pieces		Equivalent number length x used =	Total
	3-1/4" x 10" Rect., straight	1 Ft. x () =	Ft.
	6", 7", 8", 10" Round, straight	1 Ft. x () =	Ft.
	3-1/4" x 10" Rect. 90° elbow	15 Ft. x () =	Ft.
	3-1/4" x 10" Rect. 45° elbow	9 Ft. x () =	Ft.
	3-1/4" x 10" Rect. 90° flatelbow	24 Ft. x () =	Ft.
	7" to 6" or 8" to 7" Round tapered reducer	25 Ft. x () =	Ft.
	6", 7", 8" Round in-line damper	15 Ft. x () =	Ft.
	6", 7", 8", 10" Round, 90° elbow	15 Ft. x () =	Ft.
	6", 7", 8", 10" Round, 45° elbow	9 Ft. x () =	Ft.
Subtotal column 1 =			Ft.

Maximum Duct Length: For satisfactory air movement, the total duct length should not exceed 150 equivalent feet.

Duct pieces		Equivalent number length x used =	Total
	3-1/4" x 10" Rect. to 6" round transition	5 Ft. x () =	Ft.
	3-1/4" x 10" Rect. to 6" round transition 90° elbow	20 Ft. x () =	Ft.
	6" round to 3-1/4" x 10" rect. transition	1 Ft. x () =	Ft.
	6" round to 3-1/4" x 10" rect. transition 90° elbow	16 Ft. x () =	Ft.
	7" round to 3 1/4" x 10" rect. transition	8 Ft. x () =	Ft.
	7" round to 3-1/4" x 10" rect. transition 90° elbow	23 Ft. x () =	Ft.
	3-1/4" x 10" Rect. wall cap with damper	30 Ft. x () =	Ft.
	6", 7", 8", 10" Round, wall cap with damper	30 Ft. x () =	Ft.
	6", 7", 8", 10" Round roof cap	30 Ft. x () =	Ft.
Subtotal column 2 =			Ft.
Subtotal column 1 =			Ft.
Total ductwork =			Ft.

Installation Instructions

Ducting Options

A minimum of 6" round duct is recommended to maintain maximum air flow efficiency. The blower housing is mounted on the front of the downdraft body by default, but it can also be mounted to the back. The blower housing can be rotated to duct air out the left, right, or bottom. **If the blower housing is mounted to the back, please ensure there is at least 12" of cabinet space behind the downdraft to accommodate blower housing.**

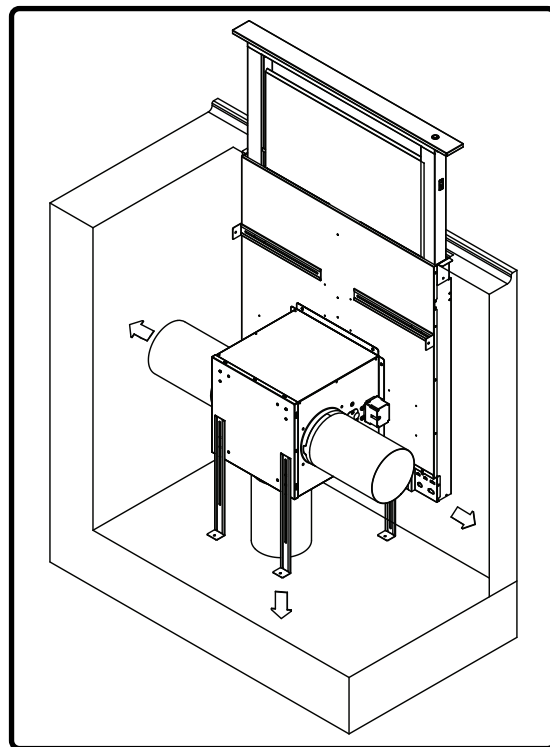
For best performance, choose the ducting option which allows the shortest length of ductwork and a minimum number of elbows and transitions. Check location of floor joists, wall studs, electrical wiring, or plumbing for possible interference. **ALWAYS**, when possible, reduce the number or transitions and turns. If long duct run is required, increase duct size. If turns or transitions are required; install as far away from hood duct output and as far apart, between the two as possible.


Always use single wall rigid type metal ducts only. Flexible ducts could restrict air flow by up to 50%. Fasten all connections with sheet metal screws and tape all joints with certified Silver Tape or Duct Tape.

Also use the ducting calculation sheet (on page 11) to compute total available duct run when using elbows, transitions and caps.


For shipment and installation damages:

- ▶ Please fully inspect unit for damage before installation.
- ▶ If the unit is damaged in shipment, return the unit to the store in which it was bought for repair or replacement.
- ▶ If the unit is damaged by the customer, repair or replacement is the responsibility of the customer.
- ▶ If the unit is damaged by the installer (if other than the customer), repair or replacement must be made by arrangement between customer and installer.



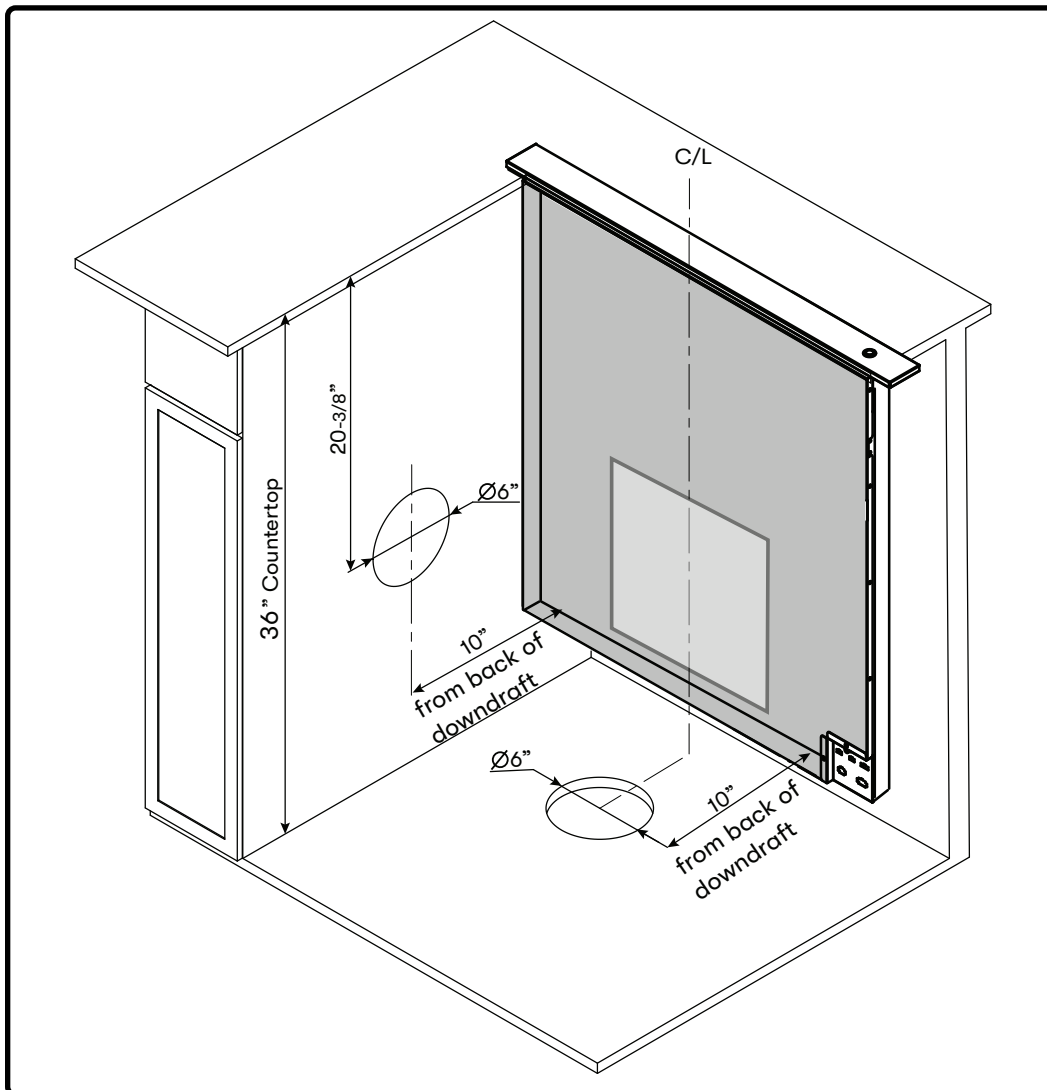


WARNING



Fire Hazard: NEVER exhaust air or terminate ductwork into spaces between walls, crawl spaces, ceilings, attics, or garages. All exhaust must be ducted to the outside, unless using the recirculating option.

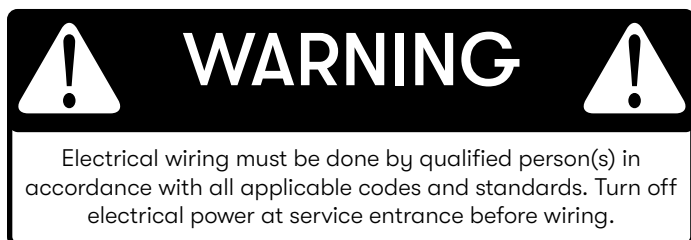
Planning the Cabinet Cutouts



- ▶ If the blower housing is relocated to the back, please ensure there is at least 12" of cabinet space behind the downdraft. The 6" round duct cutout measurement will then be 7-7/8" from the back of the downdraft.
- ▶ If a recirculating kit is used, see page 21 and the manual included with ZRC-00TV recirculating kit for more information.

Installation Instructions

Planning the Electrical



- ▶ If codes permit and a separate ground wire is used, it is recommended that a qualified electrician determine that the ground path is adequate.
- ▶ Do not ground to a gas pipe.
- ▶ Check with a qualified electrician if you are not sure the range hood is properly grounded.
- ▶ Do not have a fuse in the neutral or ground circuit.
- ▶ This appliance requires a 120V 60Hz electrical supply and connected to an individual properly grounded branch circuit protected by a 15 or 20 ampere circuit breaker or time delay fuse. Wiring must be 2 wire with ground. Please also refer to Electrical Diagram on product.
- ▶ Instructions for bonding the appliance to ground: The grounding-type attachment plug provided with this appliance shall be connected to a grounding-type receptacle installed in accordance with CSA C22.1, Canadian Electrical Code, Part I. In the event of an electrical short circuit, bonding to ground reduces the risk of electric shock.
- ▶ Consult a qualified electrician if the grounding instructions are not completely understood, or if doubt exists as to whether the appliance is properly bonded to ground. Do not use an extension cord. If the power supply cord is too short, have a qualified electrician install an outlet near the appliance.

1. If the ZTV-E30AS is installed in a 30" cabinet or ZTV-E36AS is installed in a 36" cabinet, the outlet cannot be located on the back wall of the cabinet. The outlet should be mounted to the side wall or cabinet floor at least 5" from the back of the downdraft body while ensuring it does not interfere with the ducting (FIG. A). Or drill a clearance hole in the cabinet so the outlet can be mounted in an adjacent cabinet or behind the cabinet.
2. Mount an electrical outlet, with 3-pronged receptacle, inside the cabinet. Make sure the downdraft's 72" power cord can easily reach it.

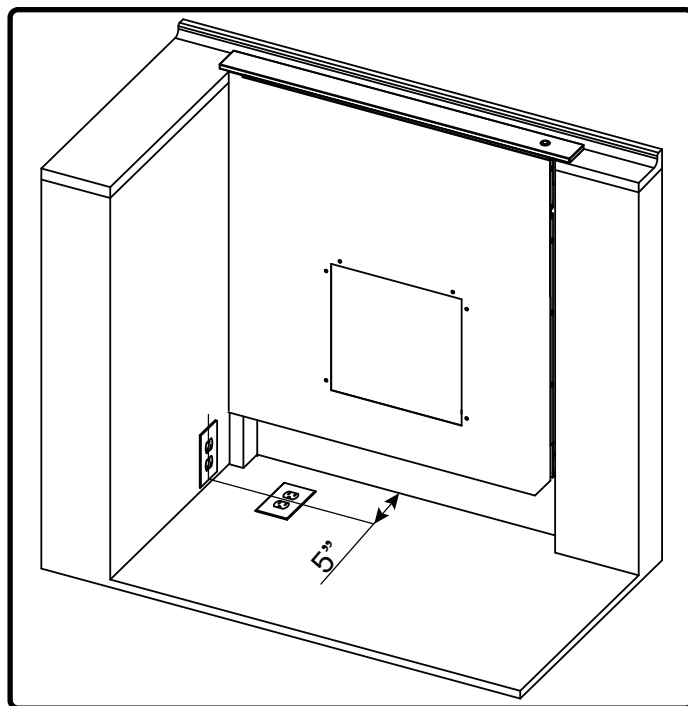


FIG. A

Preparing the Downdraft

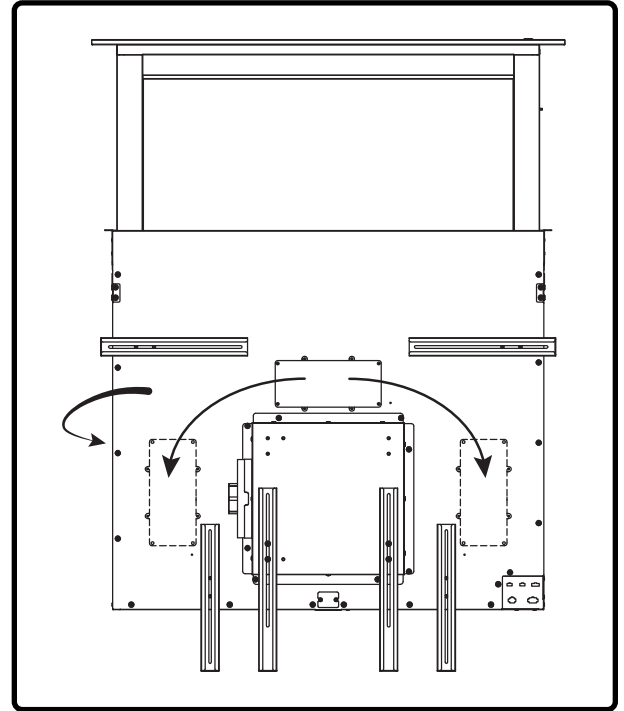
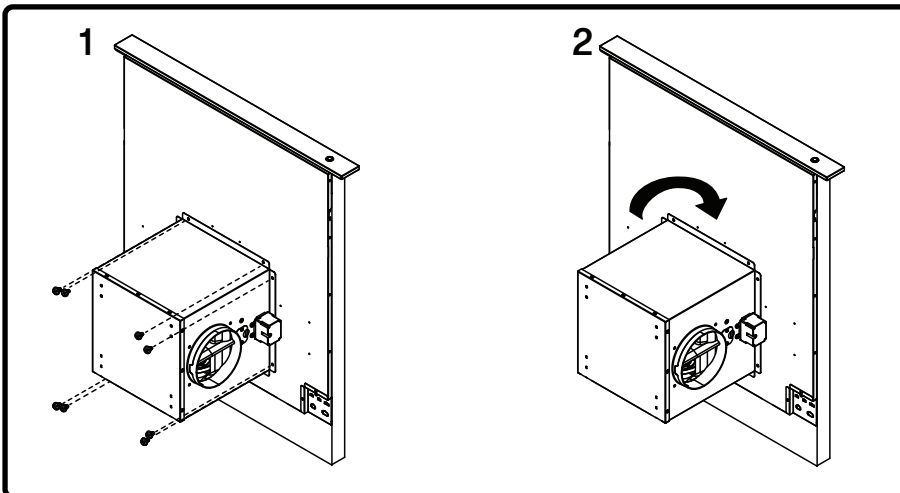
Electronics Box Relocation (FIG. B)

The electronics box on the downdraft can be relocated from its default position. It can be mounted on the left or right side of the blower housing, and the wiring from the electronics box is long enough to be repositioned to the backside of the downdraft.

Blower Housing Relocation

The downdraft is shipped with the blower collar pointing towards the left side. If you wish to change this orientation to face the right side or bottom side, please follow the steps below:

1. Place the downdraft on its back on a table or a flat work surface.
2. Disconnect the blower plug from the electronics box (white moxex connector).
3. Remove (8) screws surrounding the blower housing (FIG. C1).
4. Orient the blower housing with the ducting pointing towards the right or the bottom (FIG. C2).
5. Reinstall the blower housing with the (8) previously removed screws and reconnect the blower plug.
6. If you wish to install the blower housing to the back, please refer to page 16.

**FIG. B****FIG. C**

Installation Instructions

Preparing the Downdraft

Reversing the Blower Housing

1. Place the downdraft on its back on a table or a flat work surface.
2. Disconnect the blower plug.
3. Remove (8) screws securing the blower housing and remove the blower housing.
4. Remove (8) screws securing the square metal plate on the back of the downdraft (FIG. D1) and relocate the plate to the front where the blower housing was previously installed (FIG. D2).
5. Secure the blower housing to the back of the downdraft with the previously removed screws.
6. If are changing the position of the electronics box, refer to FIG. E for possible locations for reinstatement.
7. Remove (4) screws and relocate the electronics box to the left side, right side, upper side, or back side.
8. Reinstall the electronics box by the (4) previously removed screws.

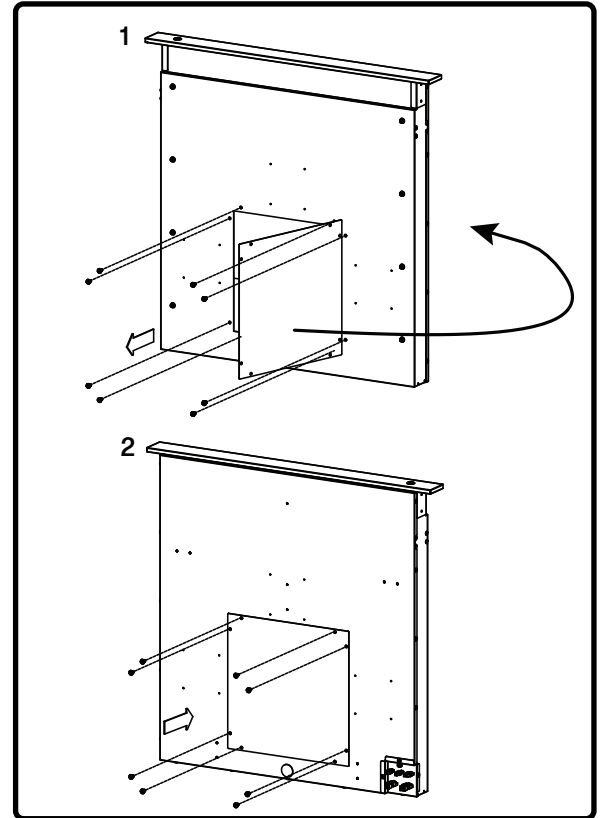


FIG. D

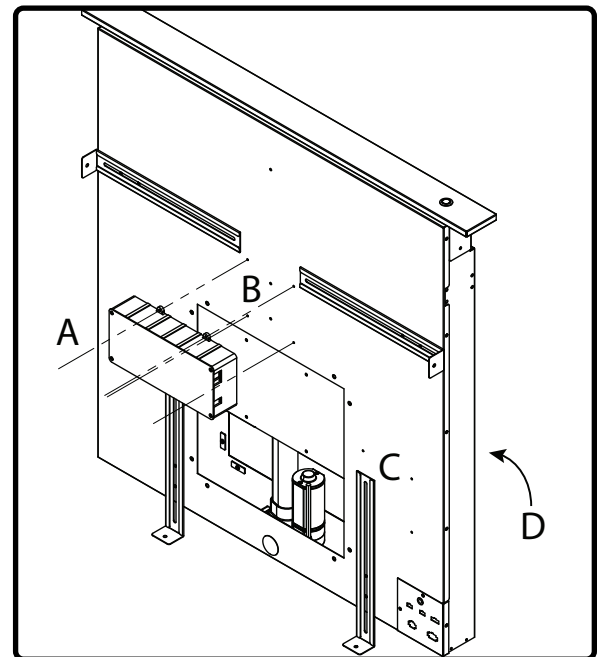
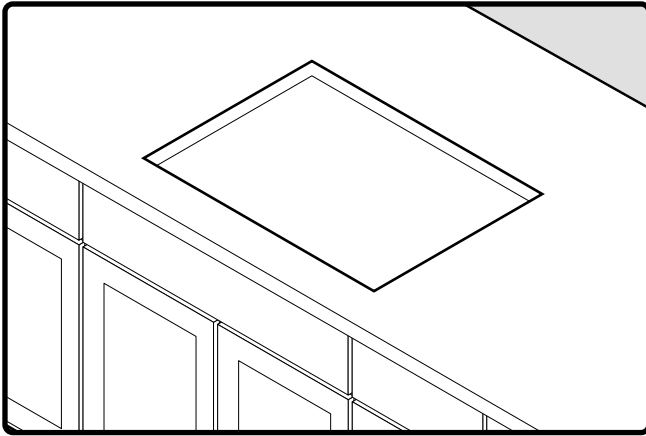
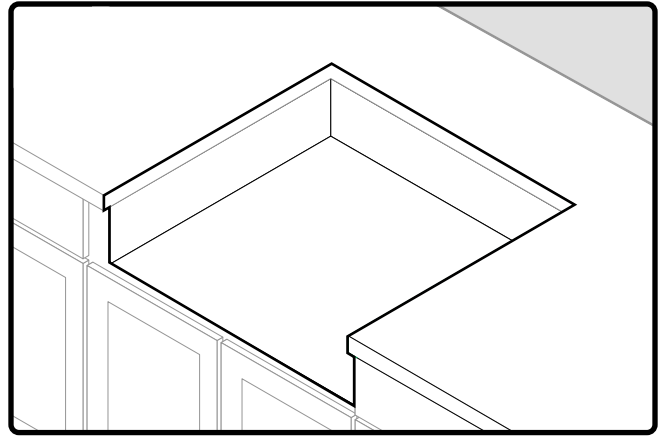
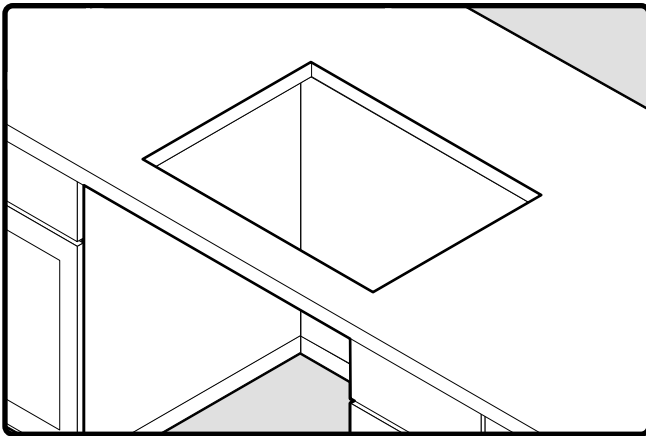
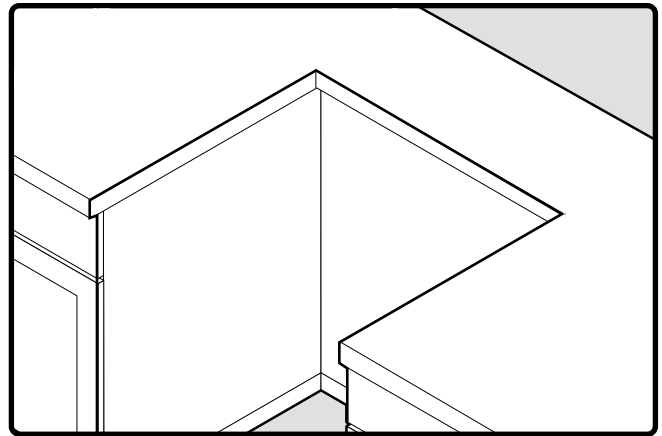


FIG. E

Cutting the Countertop Opening

Below are the different cooking appliances when cutting the countertop opening that can be used for the downdraft.

NOTE: For range installation, the downdraft is only compatible with ranges used in island installations where a 12" minimum of cabinet space is available behind the downdraft to accommodate the blower housing. A range trim kit (DDT-0130 or DDT-0136, sold separately) may be needed to cover the gap between the back of the range and front of the downdraft.

Cooktop**Rangetop****Cooktop with Wall Oven****Range**

Installation Instructions

Cutting the Countertop Opening

1. Lay out and cut the cooktop cutout far enough forward so the downdraft will fit behind it. Refer to FIG. F for measurements.
2. Set cooktop in place and slide it as far forward as possible. Center and square it with edges of countertop.
3. Mark areas of countertop for the downdraft opening using the included template.
4. Remove cooktop from countertop.
5. Cut downdraft opening. Be careful not to chip edges of countertop.

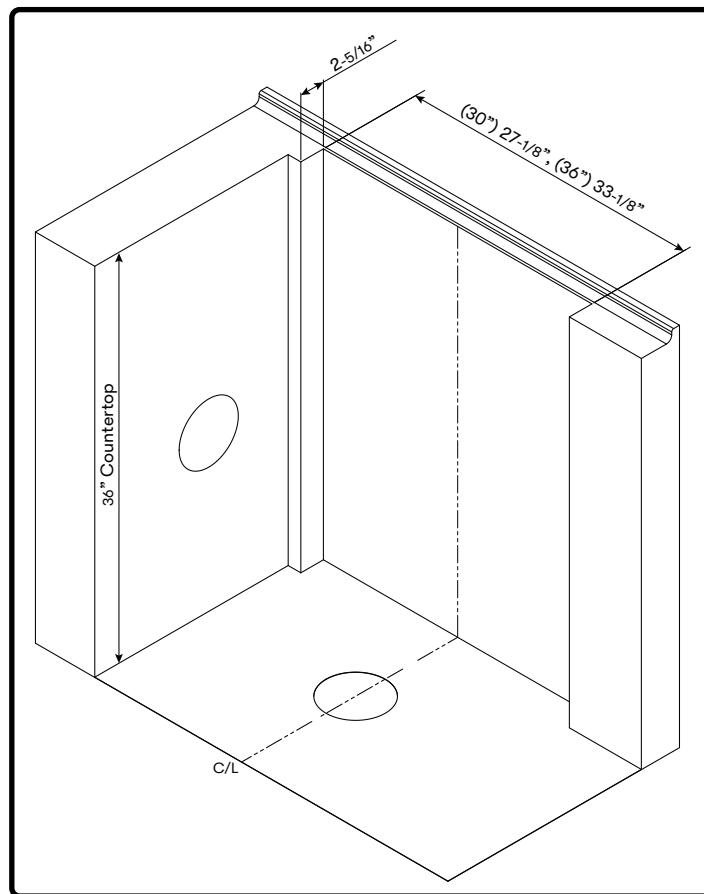
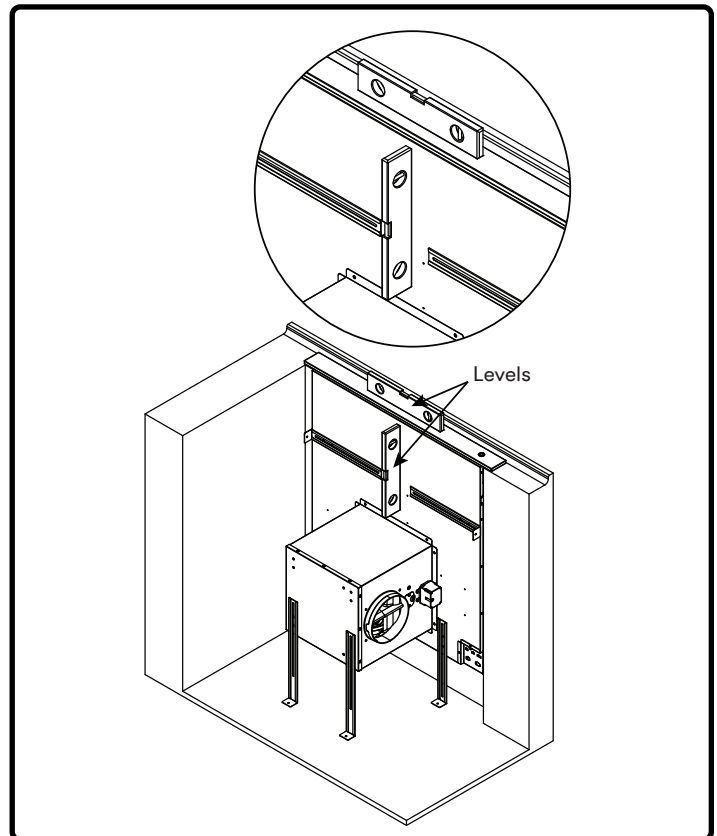
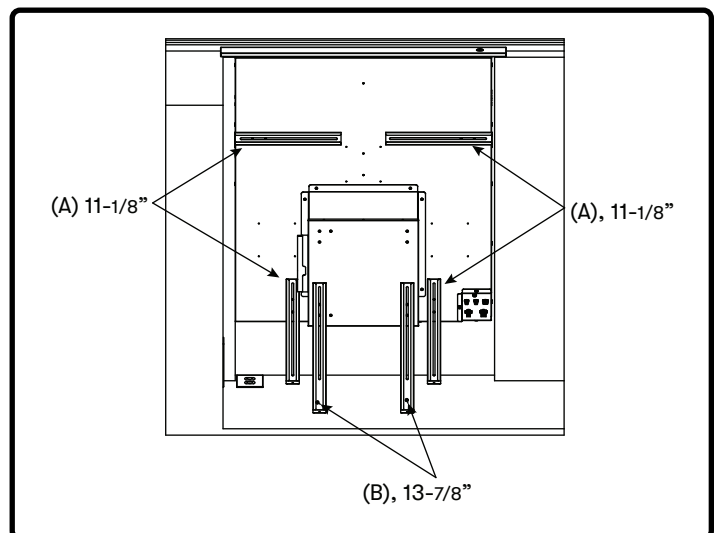


FIG. F

Mounting the Downdraft

1. Place the downdraft into the cabinet opening making sure the mounting ears protruding from the left and right side of the downdraft body are resting on the countertop.
2. Make sure the downdraft body and blower housing is level prior to securing the leveling brackets (FIG. G).
3. Secure the downdraft to the cabinet using the (6) included leveling brackets. Refer to FIG. H for leveling bracket placement. Secure (4) short leveling brackets to the downdraft body (A) and (2) long leveling brackets to the blower housing (B).
4. Mount the leveling brackets onto the downdraft body by using (2) M4 x 8 screws per short leveling bracket and using (2) 3/16 x 1/4" screws per long leveling bracket.
5. Secure the leveling brackets to the cabinet with (1) #6 x 1" screws per bracket.

NOTE: The leveling brackets can be repositioned, so the bracket flange faces inwards or outwards.

**FIG. G****FIG. H**

Installation Instructions

Installing the Ductwork

If using a recirculating kit, refer to page 21 for more information on ductless recirculation or refer to the recirculating kit manual for more detailed installation instructions.



CAUTION



Before cutting hole in cabinet for ductwork, check for interference with floor joists, wall studs, electrical wiring, or plumbing.

1. Cut hole in cabinet as well as holes in wall or floor as necessary.
2. Mount the roof or wall cap and work back towards the cabinet, attaching all ductwork, elbows, and transitions as previously planned. Tape all ductwork connections with aluminum duct tape to make them secure and air tight.
3. Connect ductwork (and transition, if required) to downdraft.

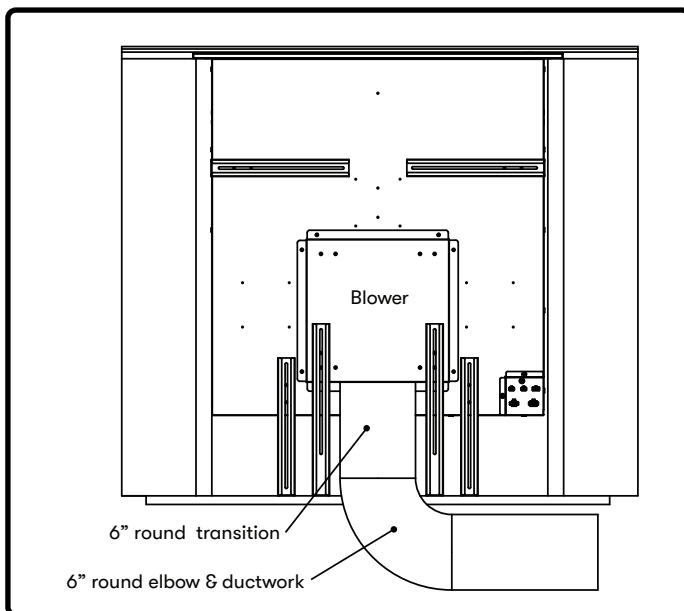


FIG. I

Powering the Downdraft

Plug the downdraft's power cord into the electrical outlet. Make sure the power cord does not interfere with the ducting and is routed away from any heat generated by the cooktop.

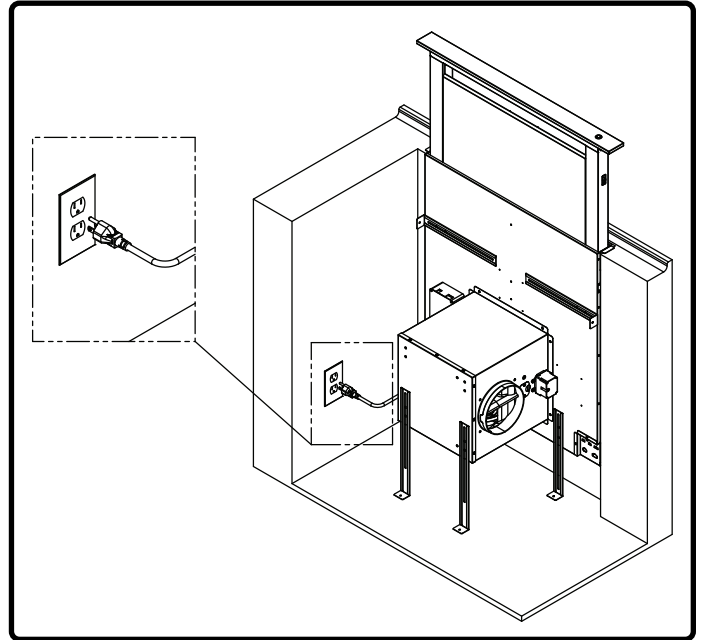


FIG. J

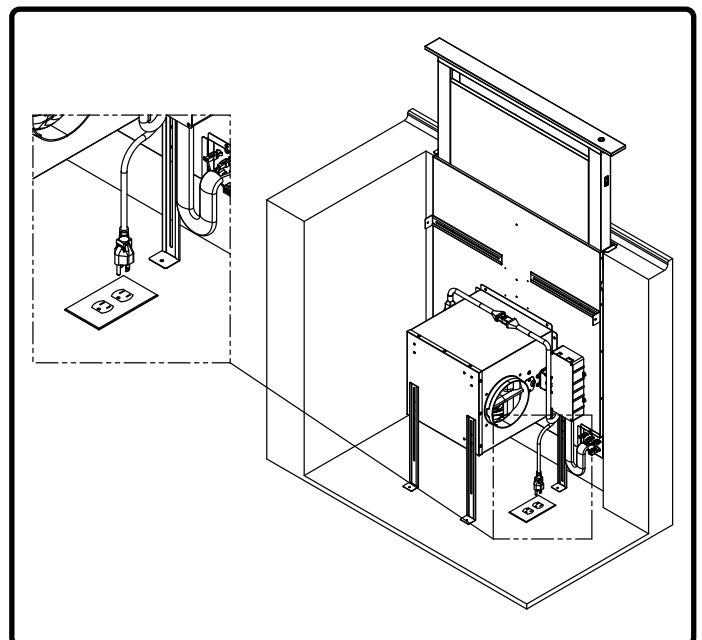


FIG. K

Ductless Recirculation

Ductless recirculation is intended for applications where an exhaust duct work is not possible to be installed. When converted, the downdraft functions as a recirculating downdraft rather than an exhaust downdraft. Fumes and exhaust from cooking are drawn and filtered by an optional charcoal filter. The air is then purified and recirculated back within the home.

We recommend to ALWAYS exhaust air outside of the home by employing existing or installing new ductwork, if possible. The downdraft is most effective and efficient as an exhaust downdraft. Only when the exhaust option is not possible should you recourse to converting the downdraft into a recirculating downdraft.

When converted to a recirculating downdraft, the charcoal filter is installed in the recirculation box. Order according to its part number below. The standard grease filters are intended to capture residue from cooking, and the optional charcoal filter helps to purify fumes exhausted from cooking for recirculation.

Recirculating Kit Installation (required if no ducting is used)

For detailed installation instructions, please refer to the manual included with the recirculating kit. The kit includes an air recirculation box, charcoal filter, and kickplate.

Hood Model	Recirculating Kit Part Number	Filters in Package	Charcoal Filter Replacement Part Number	Quantity to Order
ZTV	ZRC-00TV	1	Z0F-C006	1

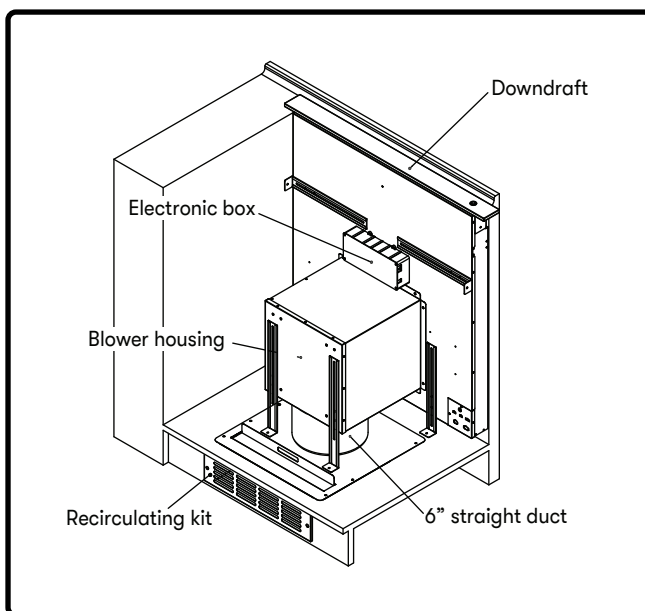


FIG. L

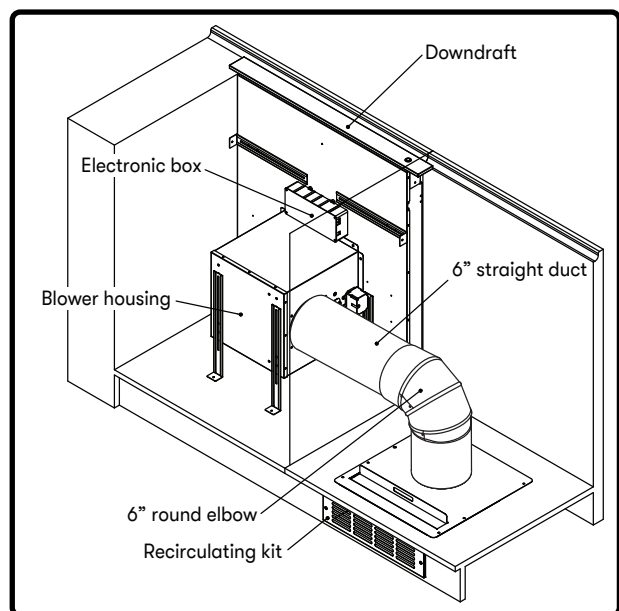
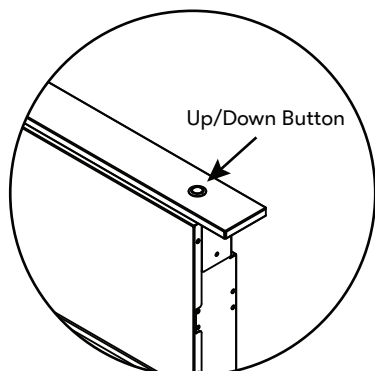


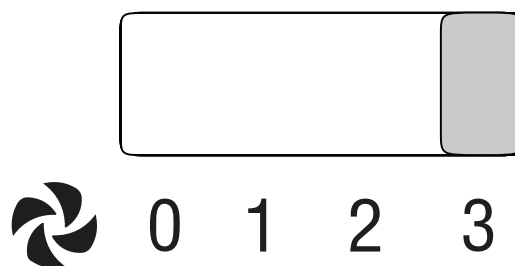
FIG. M

Features & Controls

Up/Down Button & Mechanical Slide Controls



Up/Down Button



Mechanical Slide Controls

UP/DOWN BUTTON

- ▶ Turn on the downdraft blower by pressing down on the Up/Down button. The chimney will rise. Press the Up/Down button again to turn off the blower as the chimney begins to descend.
- ▶ A safety mechanism from the downdraft prevents the chimney from closing when it hits an obstruction. When this happens, press the Up/Down button again to raise the chimney.

NOTE: For the most convenient operation, set the blower to your favorite speed. The blower will be set to this speed whenever the Up/Down button is pressed and once the chimney is risen.

MECHANICAL SLIDE CONTROLS - BLOWER ON/OFF/SPEED SELECTION

- ▶ While the downdraft is up, the controls are located on the right side of the unit slightly below the chimney. 0 is off, 1 is low speed, 2 is medium speed, and 3 is high speed.

NOTE: With ACT™ enabled, the available number of blower speeds will be reduced from 3 to 2 with 390 CFM as the highest setting.

Hood & Filter Cleaning

Surface Maintenance

- ▶ Do not use corrosive detergents, abrasive detergents or oven cleaners.
- ▶ Do not use any product containing chlorine bleach or any product containing chloride.
- ▶ Do not use steel wool or abrasive scrubbing pads which will scratch and damage surface.

Cleaning Stainless Steel

Clean periodically with warm soapy water and clean cotton cloth or micro fiber cloth. Always rub in the direction of the stainless steel grain. To remove heavier grease build up use a liquid degreaser detergent.

After cleaning use a non-abrasive stainless steel polish/cleaners, to polish and buff out the stainless luster and grain. Always scrub lightly, with clean cotton cloth or micro fiber cloth and buff in the direction of the stainless steel grain.

Cleaning the Grease Filters

The grease filters are intended to trap residue and grease from cooking. Although the filters should never need replacing, they are required to be cleaned every 30 days or more often depending on cooking habits.

Grease filters may be placed in dishwasher at low heat or soaked in hot soapy water. Dry filters and reinstall before using hood.

To remove the grease filters, please follow the instructions below:

1. Fully raise the downdraft chimney by pressing the Up/Down button. Make sure the downdraft is off afterward by sliding the switch to 0 from the mechanical switch controls.
2. The front panel is secured by hanging off of four latches. Remove the front panel by grabbing the top, lifting it directly up, and pulling it away (FIG. N). From there, the grease filters should be visible.
3. Remove the grease filters by lifting them out.

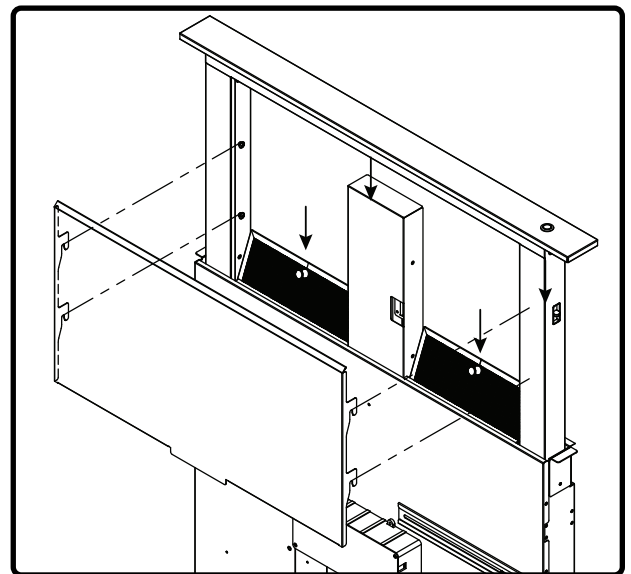


FIG. N

Airflow Control Technology (ACT™)

Some local codes limit the maximum amount of CFM a range hood can move. ACT™ allows you to control the maximum blower CFM of select Zephyr Ventilation range hoods without the need for expensive make up air kits. ACT™ enables the installer to easily set the maximum blower speed to one of the most commonly specified CFM levels; 390 CFM. The usage of ACT™ may not be necessary for your installation. Please check your local codes for CFM restrictions.

To verify if your installer enabled ACT™:

1. There should be a foil label located inside the hood body near the wiring diagram that indicates the blower CFM.
2. With the chimney fully risen and front panel removed, check the right side panel on the bottom. The ACT™ screw is fully inserted.
3. With ACT™ enabled, the blower speeds are reduced from 3 to 2.



Enabling ACT™

To enable ACT™:

1. Press the Up/Down button to fully raise the chimney. After it has risen, turn off the downdraft.
2. Remove the front panel by lifting it directly up (FIG. O1) and pulling it away (FIG. O2).
3. Locate the ACT™ screw hole at the right side panel on the bottom (FIG. P).
4. Insert the ACT™ screw (FIG. Q).
5. Fully tighten screw to enable ACT™.
6. Remove the appropriate foil CFM sticker included with the hood literature and place inside the hood body below the wiring diagram or in another clearly visible location (FIG. R).

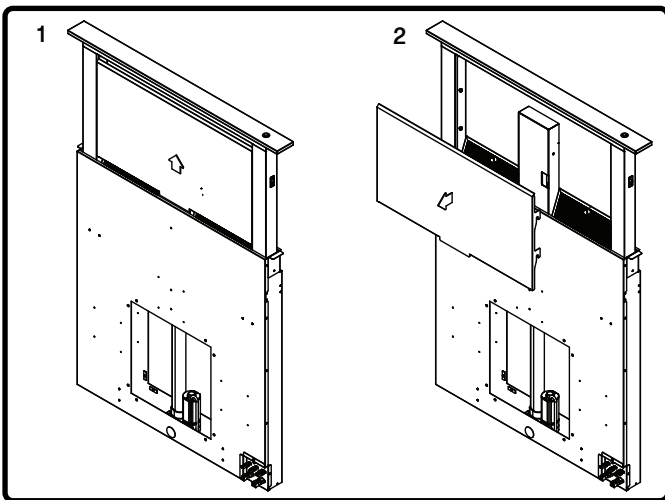


FIG. O

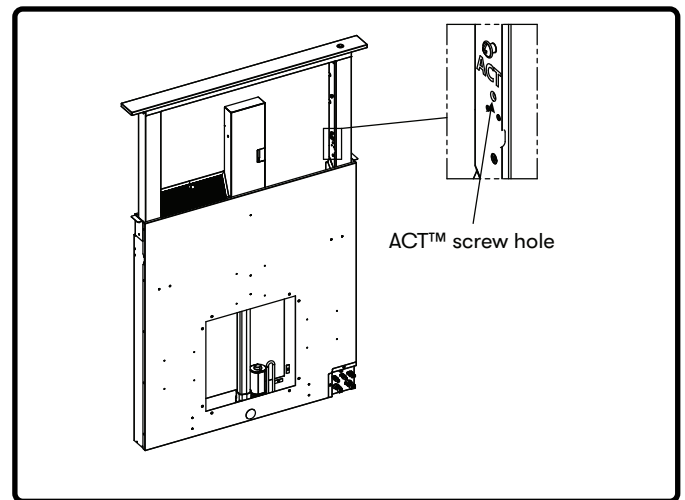


FIG. P

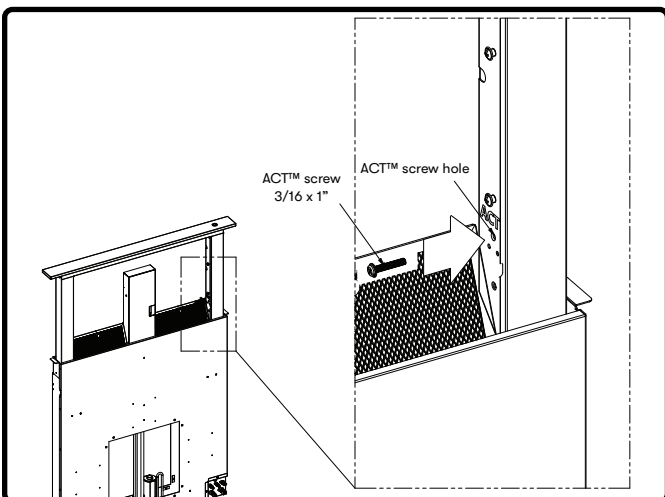


FIG. Q

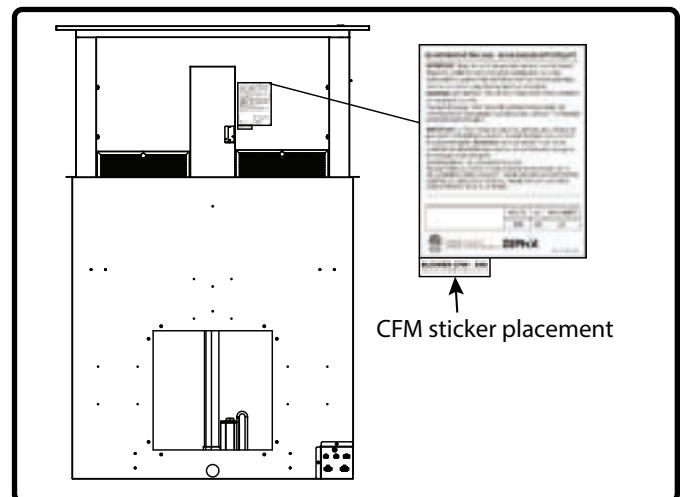
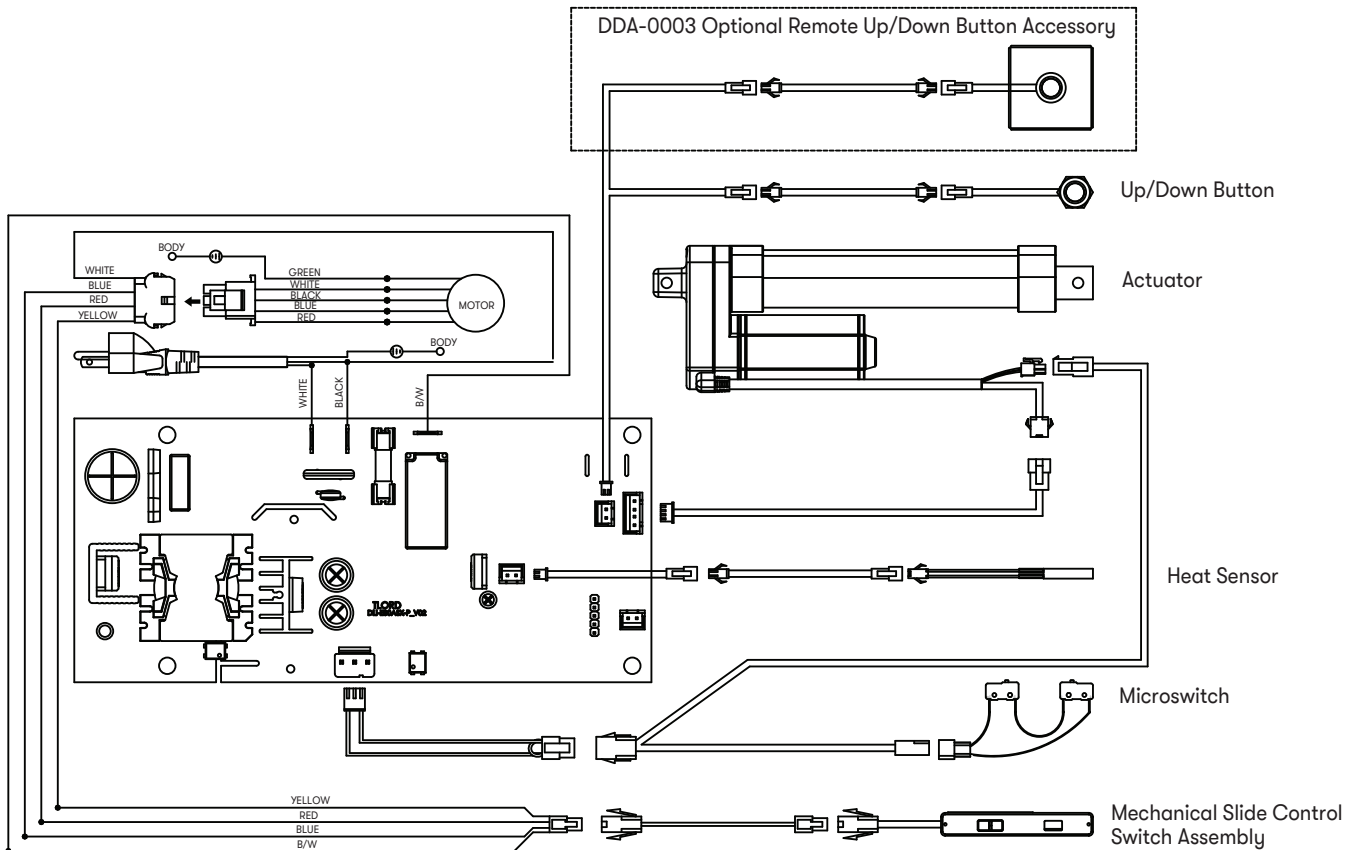


FIG. R

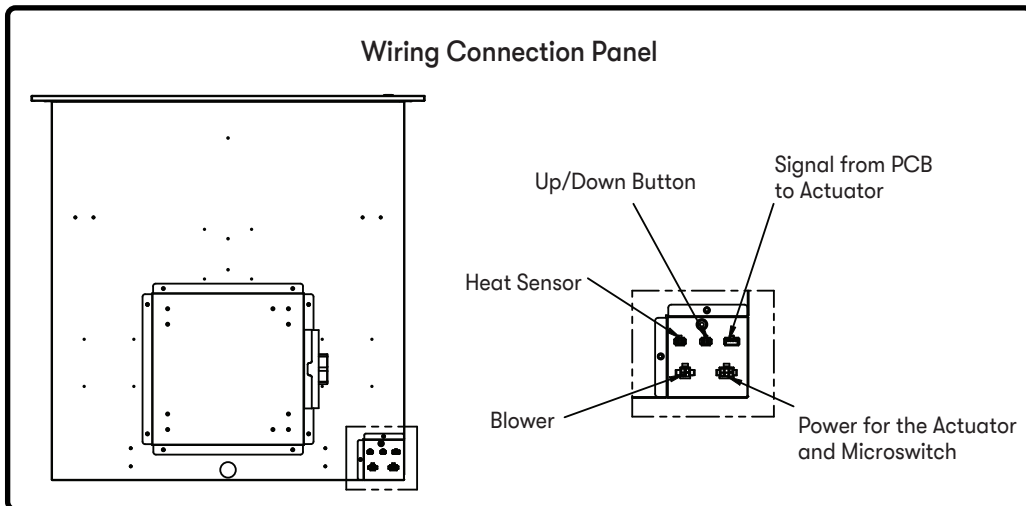
Wiring Diagram

ZTV-E30AS, ZTV-E36AS
Wiring Diagram

Volts	Hz	Max Amps
120	60	3.2



Wiring Connection Panel



Possible Problem	Possible Cause	Solutions
After installation, the unit doesn't work.	The power source is not turned ON.	Make sure the circuit breaker and the unit's power is ON.
	The power line and the cable locking connector is not connecting properly.	Check the power connection with the unit is connected properly.
	The control board wirings are disconnected.	Make sure the wirings at the control board are connected properly.
	The wires on control board are loose.	Make sure the wires on the control board are connected properly.
	The wires on the wiring panel are disconnected.	Make sure all wires are properly connected to the wiring panel.
The unit is vibrating.	The blower is not secured in place.	Tighten the blower in place.
	Damaged blower wheel.	Replace the blower.
	The hood is not secured in place.	Check the installation of the hood.
The unit is whistling.	A filter is not in the correct position.	Adjust the filters until the whistling stops.
	The duct pipe connections are not sealed or connected properly.	Check the duct pipe connections to be sure all connections are sealed properly.
The hood is not venting out properly.	Using the wrong size of ducting.	Change the ducting to the correct size.
	The wind from the opened windows or opened doors in the surrounding area are affecting the ventilation of the hood.	Close all the windows and doors to eliminate the outside wind flow.
	Blockage in the duct opening or ductwork.	Remove all the blocking from the duct work or duct opening.
The chimney raises but stops or lowers but stops or will only move a few inches at a time.	There may be an obstruction.	Clear any obstructions.
	Downdraft body may be installed unevenly.	Ensure downdraft body is properly leveled.
	Incorrect placement of blower wiring.	Confirm correct wiring to blower. Correct the blower wiring; refer to page 26.
The chimney raises and lowers, but the blower does not power on.	Fan speed is set to 0.	Change fan speed to 1-3.
	Blower plug is disconnected.	Connect blower plug.
	No power is coming from either the control board, blower motor, or capacitor.	Replace the part and test the functionality starting with the control board first.
The blower speeds are not aligning with the controls.	Incorrect placement of blower wiring.	Confirm correct wiring to blower. Correct the blower wiring; refer to page 26.
Fan speeds 2 and 3 sound the same.	ACT™ is enabled, likely due to local codes.	N/A

List of Parts & Accessories

Description	Part Number
Replacement Parts	
Charcoal Filter Replacement	Z0F-C006
Optional Accessories	
Wired Remote Switch	DDA-0003
Recirculating Kit	ZRC-00TV
Range Trim Kit, 30"	DDT-0130
Range Trim Kit, 36"	DDT-0136
Make-up Air Kit, 6"	MUA006A

To order parts, visit us online at <http://store.zephyronline.com>.

TO OBTAIN SERVICE UNDER WARRANTY OR FOR ANY SERVICE RELATED QUESTIONS**United States Customers please call: 1-888-880-8368 or contact us at: zephyronline.com/contact****Canada Customers please call: 1-800-361-0799 or Email: service@distinctive-online.com**

Zephyr Ventilation, LLC (referred to herein as “we” or “us”) warrants to the original consumer purchaser (referred to herein as “you” or “your”) of Zephyr products (the “Products”) that such Products will be free from defects in materials or workmanship as follows:

Two Year Limited Warranty for Parts: For two years from the date of your original purchase of the Products, we will provide, free of charge, Products or parts (including LED light bulbs, if applicable) to replace those that failed due to manufacturing defects subject to the exclusions and limitations below. We may choose, in our sole discretion, to repair or replace parts before we elect to replace the Products.

One Year Limited Warranty for Labor: For one year from the date of your original purchase of the Products, we will provide, free of charge, the labor cost associated with repairing the Products or parts to replace those that failed due to manufacturing defects subject to the exclusions and limitations below. After the first year from the date of your original purchase, you are responsible for all labor costs associated with this warranty.

Warranty Exclusions: This warranty covers only repair or replacement, at our option, of defective Products or parts and does not cover any other costs related to the Products including but not limited to: (a) normal maintenance and service required for the Products and consumable parts such as fluorescent, incandescent or halogen light bulbs, mesh and charcoal filters and fuses; (b) any Products or parts which have been subject to freight damage, misuse, negligence, accident, faulty installation or installation contrary to recommended installation instructions, improper maintenance or repair (other than by us); (c) commercial or government use of the Products or use otherwise inconsistent with its intended purpose; (d) natural wear of the finish of the Products or wear caused by improper maintenance, use of corrosive and abrasive cleaning products, pads, and oven cleaner products; (e) chips, dents or cracks caused by abuse or misuse of the Products; (f) service trips to your home to teach you how to use the Products; (g) damage to the Products caused by accident, fire, floods, acts of God; or (h) Custom installations or alterations that impact serviceability of the Products. If you are outside our service area, additional charges may apply for shipping costs for warranty repair at our designated service locations and for the travel cost to have a service technician come to your home to repair, remove or reinstall the Products. After the first year from the date of your original purchase, you are also responsible for all labor costs associated with this warranty. All Products must be installed by a qualified professional installer to be eligible for warranty repairs or service.

Limitations of Warranty. OUR OBLIGATION TO REPAIR OR REPLACE, AT OUR OPTION, SHALL BE YOUR SOLE AND EXCLUSIVE REMEDY UNDER THIS WARRANTY. WE SHALL NOT BE LIABLE FOR INCIDENTAL, CONSEQUENTIAL OR SPECIAL DAMAGES ARISING OUT OF OR IN CONNECTION WITH THE USE OR PERFORMANCE OF THE PRODUCTS. THE EXPRESS WARRANTIES IN THE PRECEDING SECTION ARE EXCLUSIVE AND IN LIEU OF ALL OTHER EXPRESS WARRANTIES. WE HEREBY DISCLAIM AND EXCLUDE ALL OTHER EXPRESS WARRANTIES FOR THE PRODUCTS, AND DISCLAIM AND EXCLUDE ALL WARRANTIES IMPLIED BY LAW, INCLUDING THOSE OF MERCHANTABILITY AND FITNESS FOR A PARTICULAR PURPOSE.

Some states or provinces do not allow limitations on the duration of an implied warranty or the exclusion or limitation of incidental or consequential damages, so the above limitations or exclusions may not apply to you. To the extent that applicable law prohibits the exclusion of implied warranties, the duration of any applicable implied warranty is limited to the same two-year and one-year periods described above if permitted by applicable law. Any oral or written description of the Products is for the sole purpose of identifying the Products and shall not be construed as an express warranty. Prior to using, implementing or permitting use of the Products, you shall determine the suitability of the Products for the intended use, and you shall assume all risk and liability whatsoever in connection with such determination. We reserve the right to use functionally equivalent refurbished or reconditioned parts or Products as warranty replacements or as part of warranty service. This warranty is not transferable from the original purchaser and only applies to the consumer residence where the Product was originally installed located in the United States and Canada. This warranty is not extended to resellers.

To Obtain Service Under Limited Warranty: To qualify for warranty service, you must: (a) notify us at the address or telephone number stated below within 60 days of the discovery of the defect; (b) give the model number and serial number; and (c) describe the nature of any defect in the Product or part. At the time of the request for warranty service, you must present evidence of your proof of purchase and proof of the original purchase date. If we determine that the warranty exclusions listed above apply or if you fail to provide the necessary documentation to obtain service, you will be responsible for all shipping, travel, labor and other costs related to the services. This warranty is not extended or restarted upon warranty repair or replacements.

Please check our website for any additional Product information, www.zephyronline.com.

Zephyr, 2277 Harbor Bay Parkway, Alameda, CA 94502

Product Registration

Congratulations on the purchase of your Zephyr product! Please take a moment to register your new Zephyr product at www.zephyronline.com/registration

IT'S IMPORTANT

Prompt registration helps in more ways than one.

- Ensures warranty coverage should you need service.
- Ownership verification for insurance purposes.
- Notification of product changes or recalls.



Zephyr Ventilation | 2277 Harbor Bay Pkwy. | Alameda, CA 94502

ZEPHYR

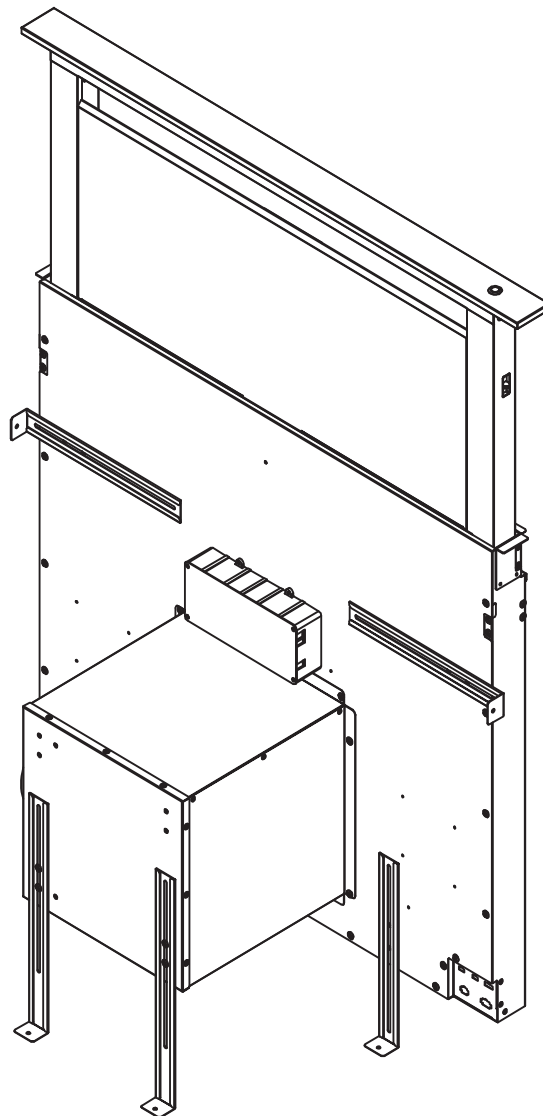
WWW.ZEPHYRONLINE.COM

Treviso

ZTV-E30AS, ZTV-E36AS

EN Use, Care, and Installation Guide

FR Guide d'utilisation, d'entretien et d'installation



ACT™
Airflow Control Technology

Enregistrez votre produit aujourd'hui
zephyronline.com/registration



	Page
Consignes de sécurité	4-6
Types d'avertissements de sécurité	4
Sécurité générale.....	4-5
Opération	5-6
Exigences électriques	6
Liste de matériel	7
Instructions d'installation	8-22
Spécifications de la hotte	8
Identification des pièces	9
Planification	10
Prise de mesures.....	10
Feuille de calcul pour le conduit d'aération.....	11
Options de conduits	12
Planification des découpes des armoires	13
Planification de l'électricité	14
Préparation de la hotte à aspiration descendante	15-16
Découpe de l'ouverture du comptoir	17-18
Montage de la hotte à aspiration descendante	19
Installation des conduits	20
Alimentation de la hotte à aspiration descendante	20
Recirculation sans conduit.....	21
Installation du kit de recirculation.....	22
Fonctionnalités et commandes	19
Bouton haut/bas et commandes à glissière mécaniques	19
Entretien.....	23
Nettoyage de la hotte et du filtre.....	23
Conversion ACT™	24-25
Technologie de contrôle du débit d'air (ACT™).....	24
Activer ACT™	25
Schéma de câblage.....	26
Dépannage	27
Liste des pièces et accessoires	28
Garantie limitée	29
Enregistrement du produit.....	30

Consignes de sécurité

COURANT DESCENDANT

LISEZ ET CONSERVEZ CES INSTRUCTIONS

Votre sécurité et celle des gens qui vous entourent sont très importantes.

Ce manuel contient de nombreux messages de sécurité relatifs à votre appareil. Lisez tous les messages et conformez-vous-y en tout temps.



Voici le symbole d'alerte à la sécurité. Ce symbole vous informe de possibles dangers qui pourraient entraîner de graves lésions corporelles ou la mort. Tous les messages de sécurité suivent le symbole d'alerte à la sécurité et comportent les mots « **DANGER** », « **AVERTISSEMENT** » ou « **ATTENTION** ».

DANGER

Le mot « danger » signifie que le fait de ne pas tenir compte de l'énoncé de sécurité peut entraîner une blessure grave ou la mort.

AVERTISSEMENT

Le mot « avertissement » signifie que le fait de ne pas tenir compte de l'énoncé de sécurité peut entraîner des dommages importants au produit, une lésion corporelle grave ou la mort.

ATTENTION

Le mot « attention » signifie que le fait de ne pas tenir compte de l'énoncé de sécurité peut entraîner une lésion corporelle mineure ou modérée, ou encore des dommages au produit ou à la propriété.

Sécurité générale

ATTENTION

Pour réduire le risque d'incendie ou de choc électrique, n'utilisez pas ce ventilateur avec un dispositif de commande à semi-conducteurs.

AVERTISSEMENT

AVERTISSEMENT - POUR RÉDUIRE LES RISQUES D'INCENDIE, DE CHOC ÉLECTRIQUE OU DE BLESSURES AUX PERSONNES, RESPECTEZ LES SUIVANTS:

- N'utilisez cet appareil que de la manière prévue par le fabricant. Si vous avez des questions, contactez le fabricant.
- Avant l'entretien ou le nettoyage de l'unité, coupez l'alimentation au panneau de service et verrouillez les moyens de déconnexion de service pour éviter toute mise sous tension accidentelle. Lorsque le moyen de déconnexion de service ne peut pas être verrouillé, fixez solidement un dispositif d'avertissement bien visible, tel qu'une étiquette, au panneau de service.

ATTENTION

Pour Une Ventilation Générale Uniquement. Ne Pas Utiliser Pour Évacuer Des Matières Et Des Vapeurs Dangereuses Ou Explosives. Soyez prudent lorsque vous utilisez des produits de nettoyage pour détergents. Convient pour une utilisation dans la zone de cuisson domestique.

AVERTISSEMENT

AVERTISSEMENT - POUR RÉDUIRE LE RISQUE D'INCENDIE DE GRAISSE SUR LE HAUT DE CUISINIÈRE:

- Ne laissez jamais les unités de surface sans surveillance à des réglages élevés. Les débordements provoquent de la fumée et des débordements graisseux qui peuvent s'enflammer. Chauffer les huiles lentement à des réglages faibles ou moyens.
- Allumez toujours la hotte lorsque vous cuisinez à feu vif ou lorsque vous flambez des aliments. (c'est-à-dire Crêpes Suzette, Cerises Jubilee, Boeuf au Poivre Flambé »).
- Nettoyez fréquemment les ventilateurs de ventilation. La graisse ne doit pas s'accumuler sur le ventilateur ou le filtre.
- Utilisez une taille de casserole appropriée. Utilisez toujours des ustensiles de cuisine adaptés à la taille de l'élément de surface.

ATTENTION

Pour réduire les risques d'incendie et pour évacuer correctement l'air extérieur, ne pas évacuer l'air évacué dans les espaces à l'intérieur des murs, plafonds, greniers, vides sanitaires ou garages.

LISEZ ET CONSERVEZ CES INSTRUCTIONS



AVERTISSEMENT - POUR RÉDUIRE LE RISQUE DE BLESSURE DES PERSONNES EN CAS D'INCENDIE DE GRAISSE SUR LE HAUT DE LA CUISINIÈRE, RESPECTEZ CE QUI SUIT:

a) DES FLAMMES PLUS INTELLIGENTES avec un couvercle bien ajusté, une plaque à biscuits ou un plateau en métal, puis éteignez le brûleur. FAITES ATTENTION À ÉVITER LES BRÛLURES. Si les flammes ne s'éteignent pas immédiatement, ÉVACUER ET APPELER LE DÉPARTEMENT DES INCENDIES.

b) NE JAMAIS RAMASSER UNE PLAQUE ENFLAMME - Vous pourriez être brûlé.

c) N'UTILISEZ PAS D'EAU, ni de torchons ou de serviettes humides - une violente explosion de vapeur en résultera.

d) Utilisez un extincteur UNIQUEMENT si:

- 1) Vous savez que vous possédez un extincteur de classe ABC et vous savez déjà comment l'utiliser.
- 2) Le feu est petit et contenu dans la zone où il a commencé.
- 3) Le service d'incendie est appelé.
- 4) Vous pouvez combattre le feu dos à une sortie

*Basé sur "Kitchen Firesafety Tips" publié par la NFPA.



AVERTISSEMENT
POUR RÉDUIRE LES RISQUES D'INCENDIE, UTILISEZ
UNIQUEMENT DES CONDUITS MÉTALLIQUES.



Les parties accessibles de cet appareil peuvent devenir chaudes lorsqu'il est utilisé avec des appareils de cuisson.



Prop. 65 Avertissement pour les résidents de Californie: Ce produit peut contenir des produits chimiques reconnus par l'État de Californie comme pouvant provoquer le cancer, des malformations congénitales ou d'autres troubles de la reproduction.



AVERTISSEMENT - POUR RÉDUIRE LES RISQUES D'INCENDIE, DE DÉCHARGE ÉLECTRIQUE OU DE BLESSURES AUX PERSONNES, RESPECTEZ CE QUI SUIT:

a) Les travaux d'installation et le câblage électrique doivent être effectués par des personnes qualifiées conformément à tous les codes et normes applicables, y compris la construction résistant au feu.

b) Une quantité d'air suffisante est nécessaire pour une combustion et une évacuation correctes des gaz par le conduit de fumée (cheminée) de l'équipement à combustible pour empêcher le refoulement. Suivez les directives et les normes de sécurité du fabricant de l'équipement de chauffage, telles que celles publiées par la National Fire Protection Association (NFPA), l'American Society for Heating, Refrigeration and Air Conditioning Engineers (ASHRAE) et les autorités locales du code.

c) Lorsque vous coupez ou percez dans un mur ou un plafond, n'endommagez pas le câblage électrique et les autres services publics cachés.

d) Les ventilateurs à conduit doivent toujours être ventilés vers l'extérieur.

e) Si cet appareil doit être installé au-dessus d'une baignoire ou d'une douche, il doit être marqué comme approprié pour l'application et être connecté à un circuit de dérivation protégé par un disjoncteur de fuite à la terre (GFCI).

Opération

- ▶ Laissez toujours les grilles de sécurité et les filtres en place. Sans ces composants, les soufflantes en fonctionnement pourraient s'accrocher aux cheveux, aux doigts et aux vêtements amples.
- ▶ Le fabricant décline toute responsabilité en cas de non-respect des instructions données ici pour l'installation, la maintenance et l'utilisation appropriée du produit. Le fabricant décline en outre toute responsabilité en cas de blessure due à une négligence et la garantie de l'unité expire automatiquement en raison d'un mauvais entretien.
- ▶ Une ventilation convenable de la pièce doit être prévue lorsqu'une hotte de cuisine est utilisée simultanément avec des appareils utilisant du gaz ou un autre combustible.
- ▶ Il y a risque d'incendie si le nettoyage n'est pas effectué conformément aux instructions.
- ▶ Ne pas flamber d'aliments sous la hotte de cuisine.

Consignes de sécurité

COURANT DESCENDANT

LISEZ ET CONSERVEZ CES INSTRUCTIONS

Opération

- ▶ L'air ne doit pas être envoyé dans un conduit utilisé pour évacuer les fumées d'appareils utilisant du gaz ou un autre combustible.
- ▶ Si le câble d'alimentation est endommagé, il doit être remplacé par le fabricant, son service après vente ou des personnes de qualification similaire afin d'éviter un danger.

REMARQUE: veuillez consulter www.zephyronline.com pour les révisions avant d'effectuer tout travail personnalisé.

Exigences électriques

Important:

- ▶ Respectez tous les codes et ordonnances en vigueur.
- ▶ Il est de la responsabilité du client d'en prendre connaissance ci-dessous:
- ▶ Pour contacter un installateur électrique qualifié.
- ▶ Pour garantir que l'installation électrique est adéquate et conforme au National Electrical Code, ANSI / NFPA 70 dernière édition * ou aux normes CSA C22.1-94, Code canadien de l'électricité, partie 1 et C22.2 No.0-M91 - dernière édition ** et tous les codes et ordonnances locaux.
- ▶ Si les codes le permettent et qu'un fil de terre séparé est utilisé, il est recommandé qu'un électricien qualifié détermine que le chemin de terre est adéquat.
- ▶ Ne pas mettre à la terre un tuyau de gaz.
- ▶ Vérifiez auprès d'un électricien qualifié si vous n'êtes pas sûr que la hotte est correctement mise à la terre.
- ▶ Ne pas avoir de fusible dans le circuit neutre ou de terre.
- ▶ Cet appareil nécessite une alimentation électrique de 120 V à 60 Hz et est connecté à un circuit de dérivation individuel correctement mis à la terre protégé par un disjoncteur de 15 ou 20 ampères ou un fusible temporisé. Le câblage doit être à 2 fils avec mise à la terre. Veuillez également vous référer au schéma électrique du produit.
- ▶ Instructions pour relier l'appareil à la terre :
La fiche de fixation de type mise à la terre fournie avec cet appareil doit être connectée à une prise de type mise à la terre installée conformément à la norme CSA C22.1, Code canadien de l'électricité, partie I. En cas de court-circuit électrique, la mise à la terre réduit le risque de choc électrique.
AVERTISSEMENT : Une mauvaise mise à la terre peut entraîner un risque de choc électrique.
Consultez un électricien qualifié si les instructions de mise à la terre ne sont pas entièrement comprises ou en cas de doute quant à la bonne mise à la terre de l'appareil. N'utilisez pas de rallonge. Si le cordon d'alimentation électrique est trop court, demandez à un électricien qualifié d'installer une prise à proximité de l'appareil.
- ▶ Un connecteur de verrouillage de câble (non fourni) peut également être requis par les codes locaux. Vérifiez les exigences locales, achetez et installez le connecteur approprié si nécessaire.

* National Fire Protection Association Batterymarch Park, Quincy, Massachusetts 02269

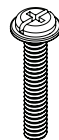
** CSA International 8501 East Pleasant Valley Road, Cleveland, Ohio 44131-5575

Pièces fournies

Quantité	Partie
1	Courant descendant de Treviso
2	Filtres à graisse
1	Pack matériel



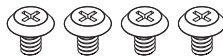
(8) M4 x 8



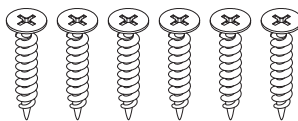
(1) Vis ACT™ 3/16 x 1 po



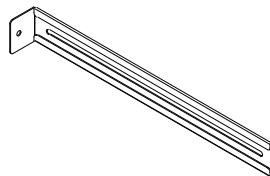
(1) Autocollant CFM



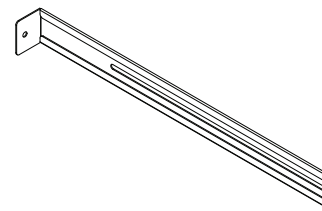
(4) 3/16 x 1/4 po



(6) #6 x 1 po



(4) Supports de mise à niveau courts de 11-1/8 po (A)

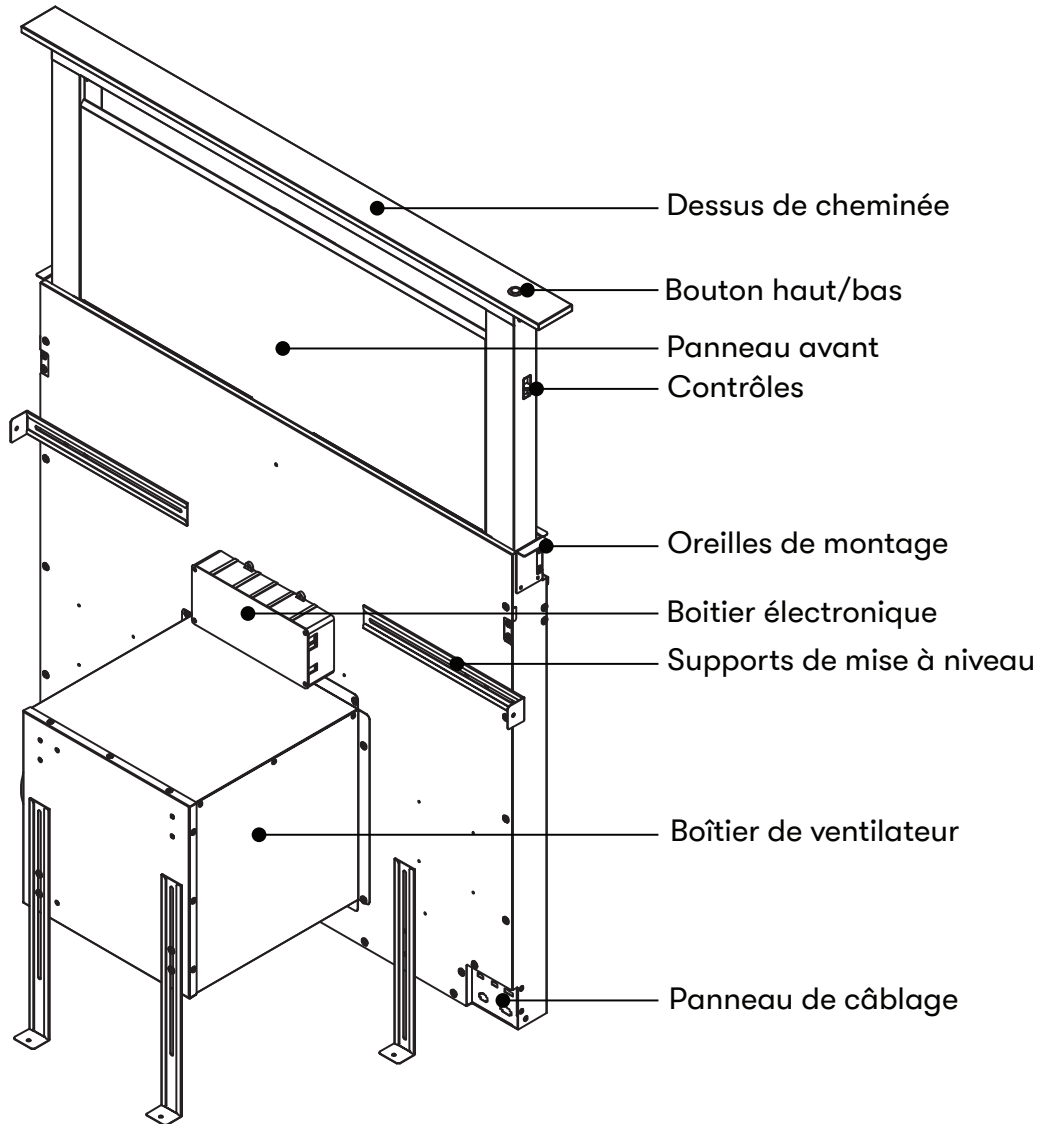


(2) Supports de mise à niveau de 13-7/8 po de long (B)

Pièces non fournies

Conduits, conduits et tous les outils d'installation
Interrupteur à distance filaire en option (DDA-0003)
Kit de recirculation en option (ZRC-00TV)
Kit de finition de cuisinière, 30 po (DDT-0130)
Kit de finition de cuisinière, 36 po (DDT-0136)
Kit d'air d'appoint, 6 po (MUA006A)

Identification des pièces



Instructions d'installation

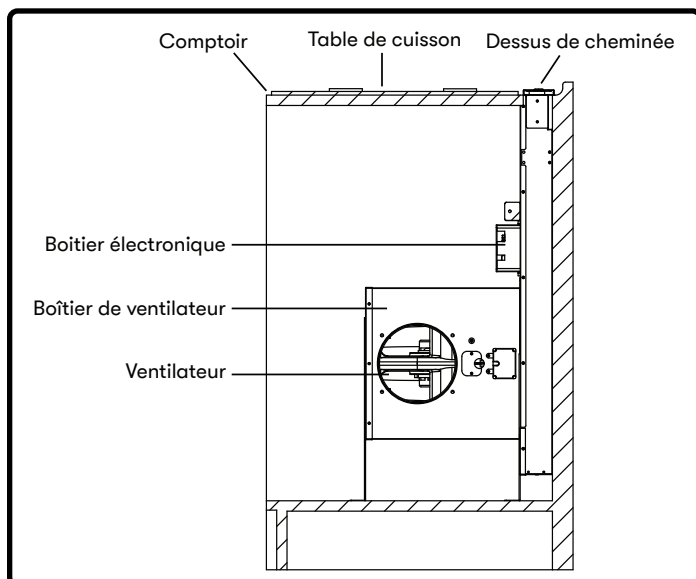
COURANT DESCENDANT

Planification

Ce système de ventilateur à aspiration descendante est conçu pour être utilisé pour évacuer les contaminants en suspension dans l'air lors de la cuisson avec une variété de tables de cuisson à gaz ou électriques. Il peut être monté sur un îlot, une péninsule ou un mur conventionnel. Cette unité peut être facilement installée en suivant ces étapes de base :

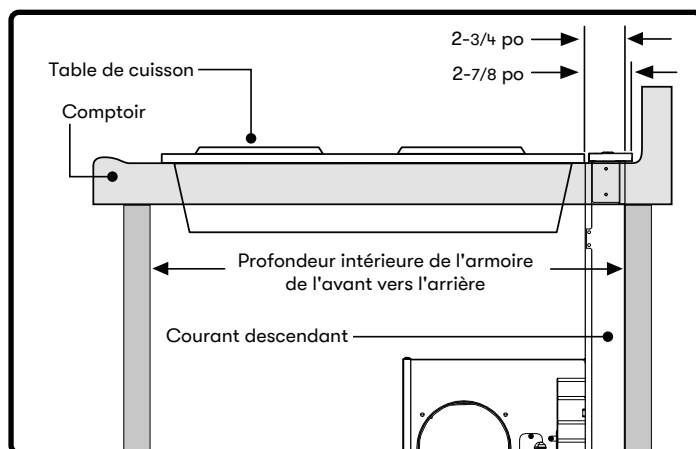
- ▶ Découpez l'ouverture du plan de travail.
- ▶ Montez l'appareil dans l'armoire.
- ▶ Raccordez les conduits et l'électricité.
- ▶ Installez la table de cuisson.

REMARQUE: Le débit d'air élevé de cet appareil peut affecter la flamme du gaz sur certains types de tables de cuisson à gaz. Ce phénomène est NORMAL et ne cause aucun dommage, mais peut être corrigé en réduisant la vitesse du ventilateur.



REMARQUE: Le boîtier électronique peut être déplacé vers le côté gauche ou droit du boîtier du ventilateur.

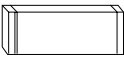

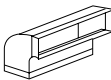
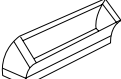
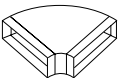
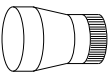
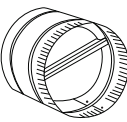
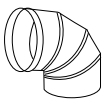

Prendre des mesures



Consultez les instructions d'installation de la table de cuisson pour connaître les dimensions des tables de cuisson, la découpe du plan de travail et les exigences relatives aux armoires. Le modèle ZTV-E30AS s'adapte à la plupart des armoires de 30 po de large et le modèle ZTV-E36AS s'adapte à la plupart des armoires de 36 po de large. Cependant, il est recommandé d'utiliser des armoires surdimensionnées pour faciliter l'installation. Les conceptions d'îlots personnalisés doivent tenir compte des armoires plus profondes, en particulier lorsqu'elles sont installées avec une cuisinière devant le ventilateur à tirage descendant ou lors du montage du ventilateur derrière le ventilateur à tirage descendant. Vous devez également prévoir une porte d'accès.

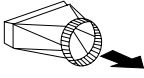
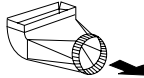
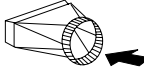
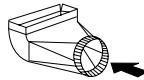
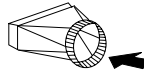
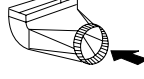
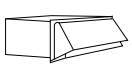
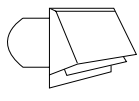

La profondeur de la table de cuisson peut varier considérablement d'une table à l'autre. Cela peut entraîner un ajustement serré de ces deux appareils. Portez une attention particulière aux zones d'interférence potentielles mises en évidence ci-dessus. Un comptoir avec un rebord surélevé (A) et/ou un dossier (B) peut ne pas permettre un comptoir suffisamment plat pour une installation correcte. Notez qu'un comptoir plat de 2-7/8 po est nécessaire derrière la table de cuisson et qu'un espace de 2-3/4 po est nécessaire entre le bord arrière de la table de cuisson et l'intérieur de l'arrière de l'armoire.

Feuille de calcul pour le conduit d'aération

Pièces de conduit		Longueur x	Nombre utilisé	=	Total
	3-1/4" x 10" rect., droit	1 pi	x () =		pi
	6", 7", 8", 10" circ., droit	1 pi	x () =		pi
	3-1/4" x 10" rect., coude à 90°	15 pi	x () =		pi
	3-1/4" x 10" rect., coude à 45°	9 pi	x () =		pi
	3-1/4" x 10" rect., coude plat à 90°	24 pi	x () =		pi
	7" to 6" or 8" to 7" circ. reducteur conique	25 pi	x () =		pi
	6", 7", 8" circ. bouchone de l'air	15 pi	x () =		pi
	6", 7", 8", 10" circ., coude à 90°	15 pi	x () =		pi
	6", 7", 8", 10" coude à 45°	9 pi	x () =		pi
Sous-total - colonne 1 =					pi

Longueur maximale du conduit d'aération :

Pour un mouvement d'air convenable, la longueur totale d'un conduit d'aération ne devrait pas compter plus que l'équivalent de 150 pieds.

Pièces de conduit		Longueur x	Nombre utilisé	=	Total
	6" circ. à rect. de 3-1/4" x 10"	5 pi	x () =		pi
	6" circ. à rect. de 3-1/4" x 10", coude à 90°	20 pi	x () =		pi
	6" circ. à rect. de 3-1/4" x 10"	1 pi	x () =		pi
	6" circ. à rect. de 3-1/4" x 10", coude à 90°	16 pi	x () =		pi
	7" circ. à rect. de 3-1/4" x 10"	8 pi	x () =		pi
	7" circ. à rect. de 3-1/4" x 10", coude à 90°	23 pi	x () =		pi
	3-1/4" x 10" embout mural rect./registre	30 pi	x () =		pi
	6", 7", 8", 10" embout mural circ./registre	30 pi	x () =		pi
	6", 7", 8", 10" chapeau de toiture circ.	30 pi	x () =		pi
Sous-total - colonne 2 =					pi
Sous-total - colonne 1 =					pi
Total du conduit =					pi

Instructions d'installation

Options de conduits

Un conduit rond d'au moins 6 po est recommandé pour maintenir une efficacité maximale du flux d'air. Le boîtier du ventilateur est monté par défaut à l'avant du corps du ventilateur à tirage descendant, mais il peut également être monté à l'arrière. Le boîtier du ventilateur peut être tourné pour évacuer l'air vers la gauche, la droite ou le bas. **Si le boîtier du ventilateur est monté à l'arrière, assurez-vous qu'il y a au moins 12 po d'espace dans l'armoire derrière le ventilateur descendant pour accueillir le boîtier du ventilateur.**

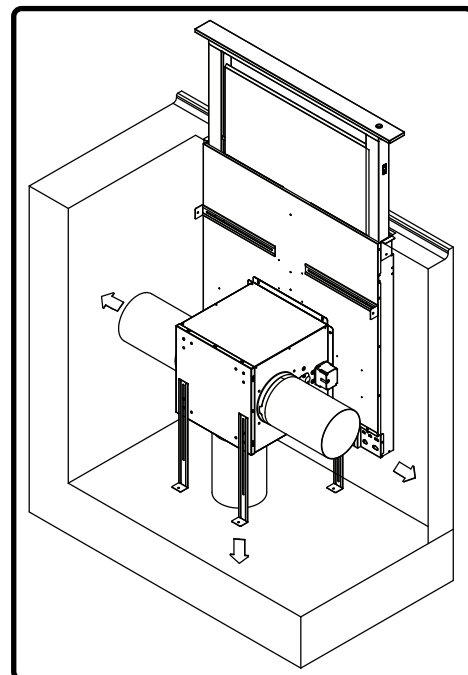
Pour une performance optimale, choisissez l'option de conduits qui permet la longueur de conduit la plus courte et un nombre minimum de coudes et de transitions. Vérifiez l'emplacement des solives de plancher, des poteaux muraux, du câblage électrique ou de la plomberie pour détecter d'éventuelles interférences. TOUJOURS, lorsque cela est possible, réduisez le nombre de transitions et de virages. Si une longue longueur de conduit est nécessaire, augmentez la taille du conduit. Si des virages ou des transitions sont nécessaires, installez-les aussi loin que possible de la sortie du conduit de la hotte et aussi loin que possible entre les deux.

Utilisez toujours des conduits métalliques rigides à simple paroi. Les conduits flexibles peuvent limiter le débit d'air jusqu'à 50 %. Fixez tous les raccords avec des vis à tôle et collez tous les joints avec du ruban adhésif Silver Tape ou Duct Tape certifié.

Utilisez également la feuille de calcul des conduits (à la page 11) pour calculer la longueur totale de conduit disponible lors de l'utilisation de coudes, de transitions et de capuchons.

Pour les dommages liés à l'expédition et à l'installation :

- ▶ Veuillez inspecter complètement l'appareil pour déceler tout dommage avant l'installation.
- ▶ Si l'appareil est endommagé pendant le transport, retournez-le au magasin où il a été acheté pour réparation ou remplacement.
- ▶ Si l'appareil est endommagé par le client, la réparation ou le remplacement relève de la responsabilité du client.
- ▶ Si l'appareil est endommagé par l'installateur (autre que le client), la réparation ou le remplacement doit être effectué par accord entre le client et l'installateur.



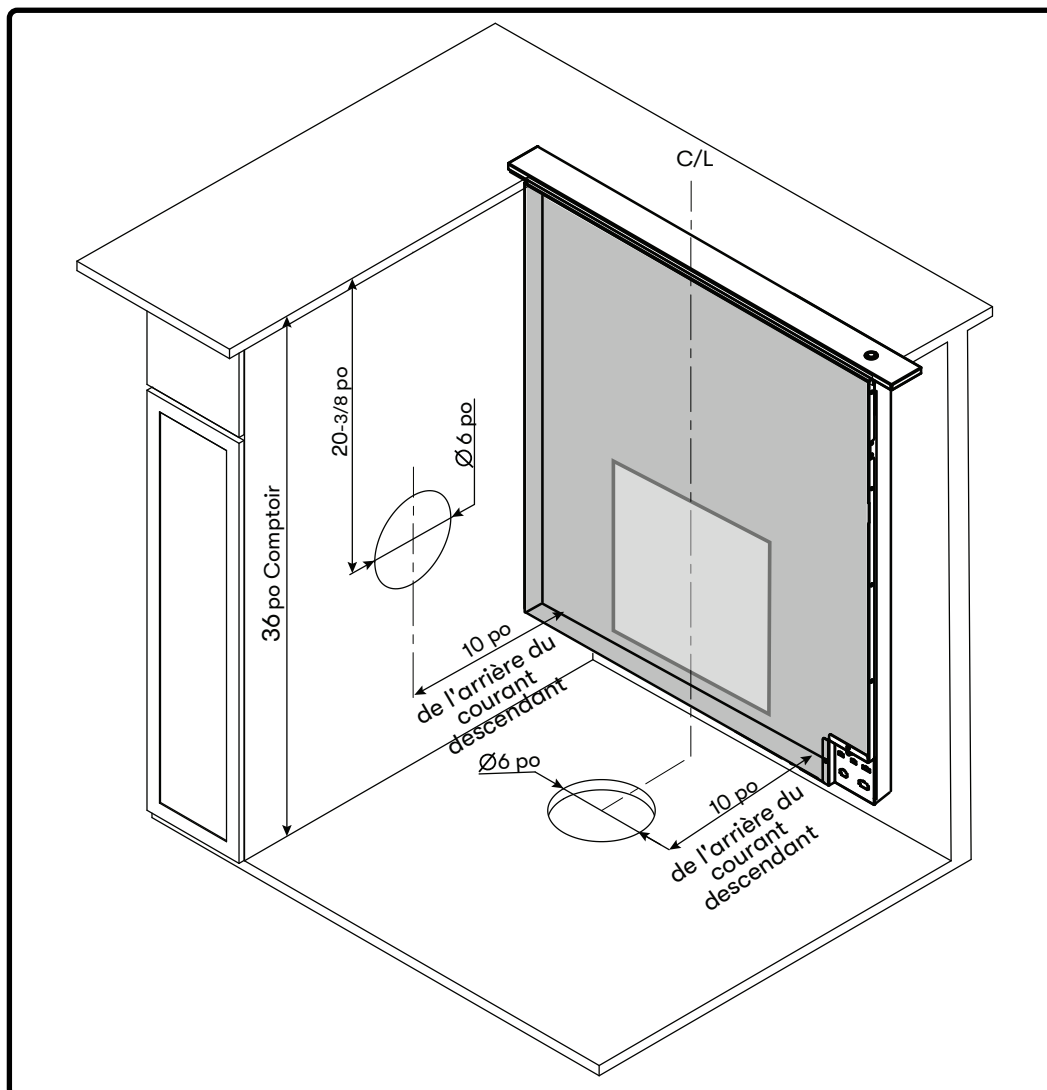
⚠ AVERTISSEMENT ⚠

Risque d'incendie : NE JAMAIS évacuer l'air ou faire aboutir les conduits dans des espaces entre les murs, les vides sanitaires, les plafonds, les greniers ou les garages. Tous les conduits d'évacuation doivent être dirigés vers l'extérieur, sauf si l'option de recirculation est utilisée.

Planification des découpes des armoires

ATTENTION

Avant de percer un trou dans l'armoire pour les conduits, vérifiez l'absence d'interférence avec les solives de plancher, les montants muraux, le câblage électrique ou la plomberie.



- ▶ Si le boîtier du ventilateur est déplacé vers l'arrière, assurez-vous qu'il y a au moins 12 po d'espace de rangement derrière le ventilateur à tirage descendant. La mesure de découpe du conduit rond de 6 po sera alors de 7-7/8 po à partir de l'arrière du ventilateur à tirage descendant.
- ▶ Si un kit de recirculation est utilisé, consultez la page 21 et le manuel fourni avec le kit de recirculation ZRC-00TV pour plus d'informations.

Instructions d'installation

COURANT DESCENDANT

Planification de l'électricité



Le câblage électrique doit être effectué par une ou plusieurs personnes qualifiées, conformément à tous les codes et normes en vigueur. Coupez l'alimentation électrique à l'entrée de service avant de procéder au câblage.



Une mauvaise liaison à la terre peut entraîner un risque de choc électrique.

- ▶ Si les codes le permettent et qu'un fil de terre distinct est utilisé, il est recommandé de faire appel à un électricien qualifié pour déterminer si le chemin de terre est adéquat.
- ▶ Ne pas relier à la terre un tuyau de gaz.
- ▶ Vérifiez auprès d'un électricien qualifié si vous n'êtes pas sûr que la hotte de cuisinière est correctement mise à la terre.
- ▶ Ne pas avoir de fusible dans le circuit neutre ou de terre.
- ▶ Cet appareil nécessite une alimentation électrique de 120 V 60 Hz et est connecté à un circuit de dérivation individuel correctement mis à la terre et protégé par un disjoncteur de 15 ou 20 ampères ou un fusible temporisé. Le câblage doit être à 2 fils avec mise à la terre. Veuillez également vous référer au schéma électrique sur le produit.
- ▶ Instructions pour relier l'appareil à la terre : La fiche de raccordement de type mise à la terre fournie avec cet appareil doit être connectée à une prise de type mise à la terre installée conformément à la norme CSA C22.1, Code canadien de l'électricité, partie I. En cas de court-circuit électrique, la liaison à la terre réduit le risque de choc électrique.
- ▶ Consultez un électricien qualifié si les instructions de mise à la terre ne sont pas entièrement comprises ou si vous avez un doute quant à la bonne mise à la terre de l'appareil. N'utilisez pas de rallonge. Si le cordon d'alimentation est trop court, demandez à un électricien qualifié d'installer une prise à proximité de l'appareil.

1. Si le ZTV-E30AS est installé dans un meuble de 30 po ou le ZTV-E36AS dans un meuble de 36 po, la prise ne peut pas être située sur la paroi arrière du meuble. La prise doit être montée sur la paroi latérale ou le plancher du meuble à au moins 5 po de l'arrière du corps du ventilateur à évacuation descendante tout en veillant à ne pas gêner les conduits (FIG. A). Ou percez un trou de dégagement dans le meuble afin que la prise puisse être montée dans un meuble adjacent ou derrière le meuble.
2. Montez une prise électrique, avec une prise à 3 broches, à l'intérieur du meuble. Assurez-vous que le cordon d'alimentation de 72 po du ventilateur à évacuation descendante peut facilement l'atteindre.

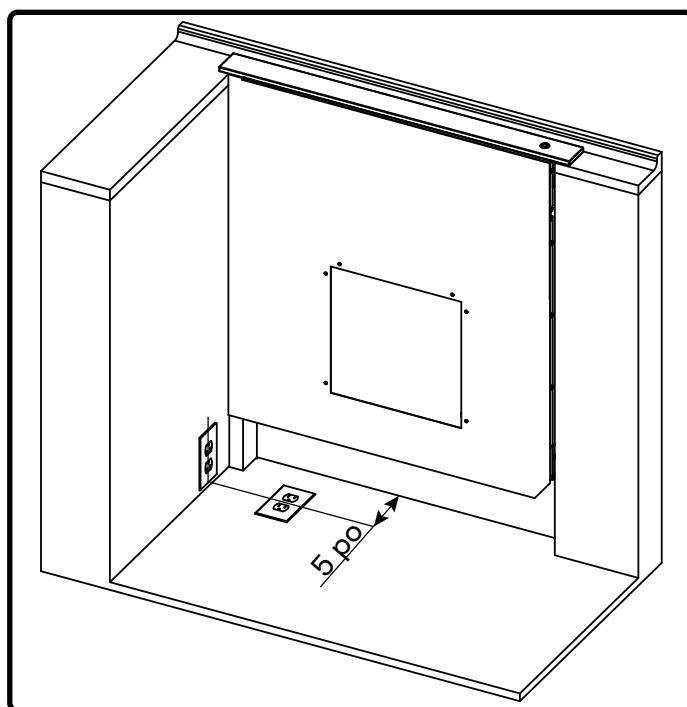


FIG. A

Préparation de la hotte à aspiration descendante

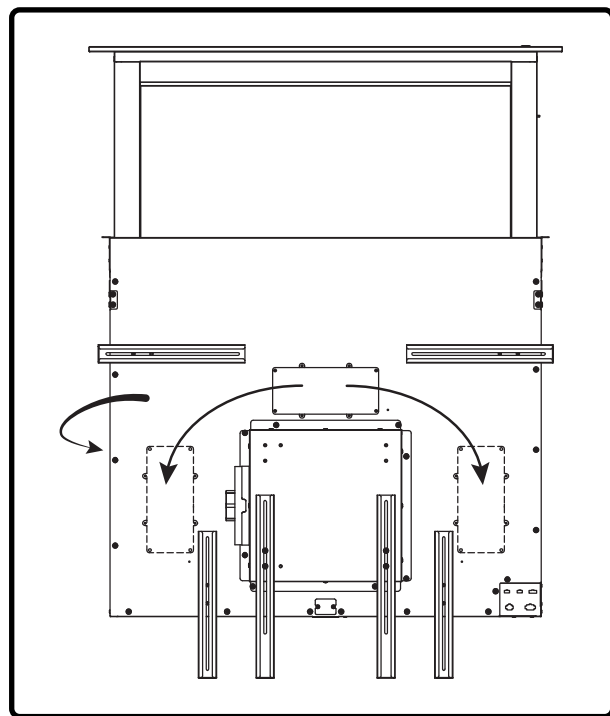
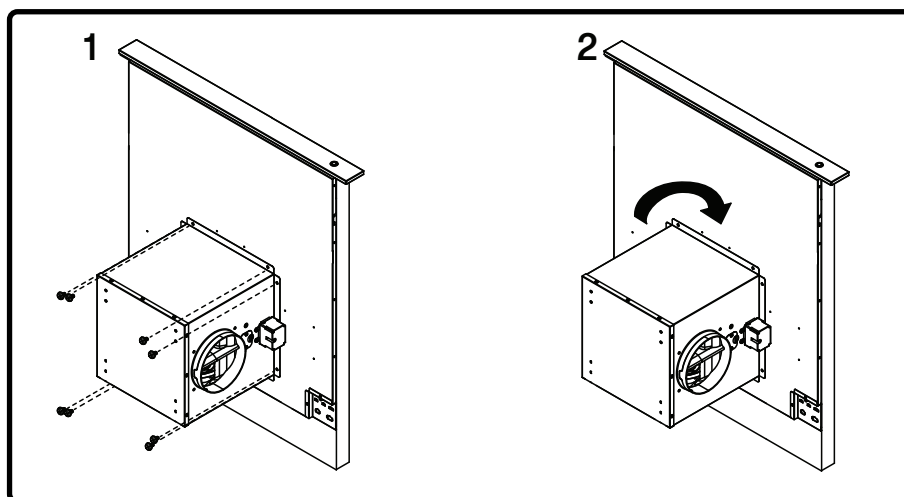
Repositionnement du boîtier électronique (FIG. B)

Le boîtier électronique du ventilateur à aspiration descendante peut être déplacé de sa position par défaut. Il peut être monté sur le côté gauche ou droit du boîtier du ventilateur, et le câblage du boîtier électronique est suffisamment long pour être repositionné à l'arrière du ventilateur à aspiration descendante.

Repositionnement du boîtier du ventilateur

Le ventilateur à tirage descendant est livré avec le collier de soufflage orienté vers le côté gauche. Si vous souhaitez modifier cette orientation pour faire face au côté droit ou au côté inférieur, veuillez suivre les étapes ci-dessous :

1. Placez le ventilateur sur sa face arrière, sur une table ou une surface de travail plane.
2. Débranchez la prise du ventilateur du boîtier électronique (connecteur moxex blanc).
3. Retirez les (8) vis entourant le boîtier du ventilateur (FIG. C1).
4. Orientez le boîtier du ventilateur avec les conduits pointant vers la droite ou vers le bas (FIG. C2).
5. Réinstallez le boîtier du ventilateur avec les (8) vis précédemment retirées et rebranchez la prise du ventilateur.
6. Si vous souhaitez installer le boîtier du ventilateur à l'arrière, veuillez vous reporter à la page 16.

**FIG. B****FIG. C**

Instructions d'installation

Préparation de la hotte à aspiration descendante

Inversion du boîtier du ventilateur

1. Placez le ventilateur à aspiration descendante sur son dos, sur une table ou une surface de travail plane.
2. Débranchez la prise du ventilateur.
3. Retirez les (8) vis fixant le boîtier du ventilateur et retirez le boîtier du ventilateur.
4. Retirez les (8) vis fixant la plaque métallique carrée à l'arrière du ventilateur à aspiration descendante (FIG. D1) et repositionnez la plaque à l'avant, là où le boîtier du ventilateur était précédemment installé (FIG. D2).
5. Fixez le boîtier du ventilateur à l'arrière du ventilateur à aspiration descendante à l'aide des vis précédemment retirées.
6. Si vous changez la position du boîtier électronique, reportez-vous à la FIG. E pour connaître les emplacements possibles pour la réinstallation.
7. Retirez les (4) vis et repositionnez le boîtier électronique sur le côté gauche, le côté droit, le côté supérieur ou le côté arrière.
8. Réinstallez le boîtier électronique à l'aide des (4) vis précédemment retirées.

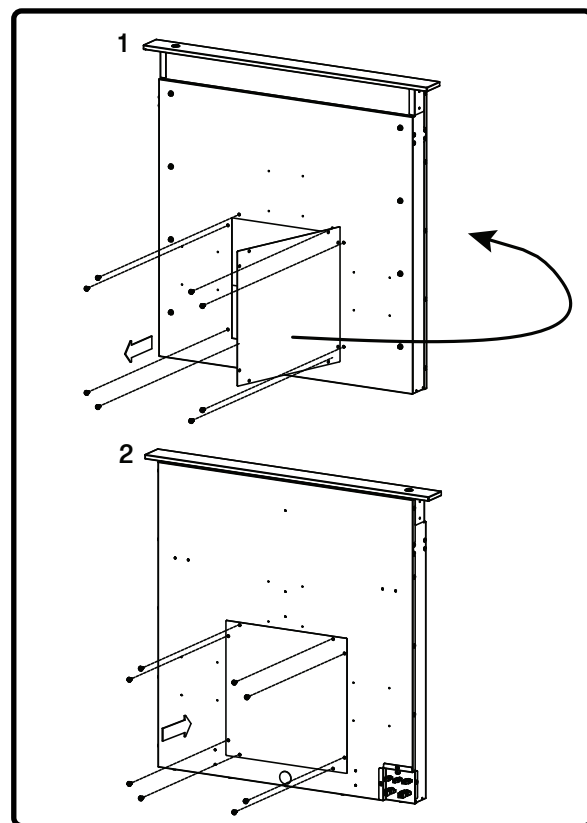


FIG. D

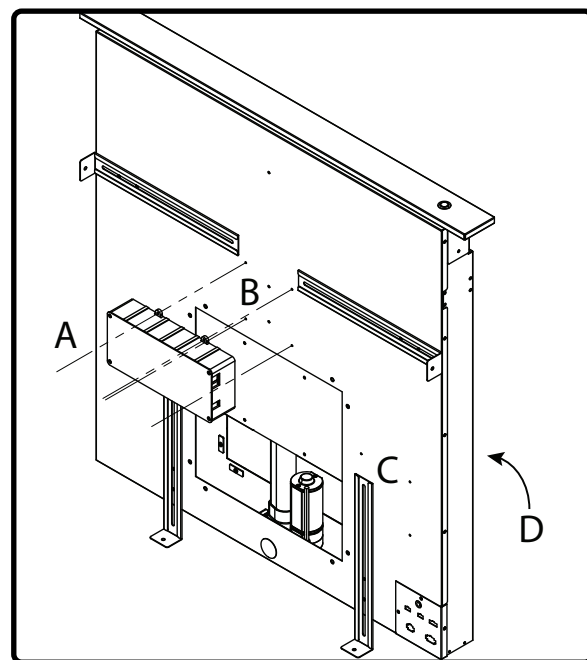


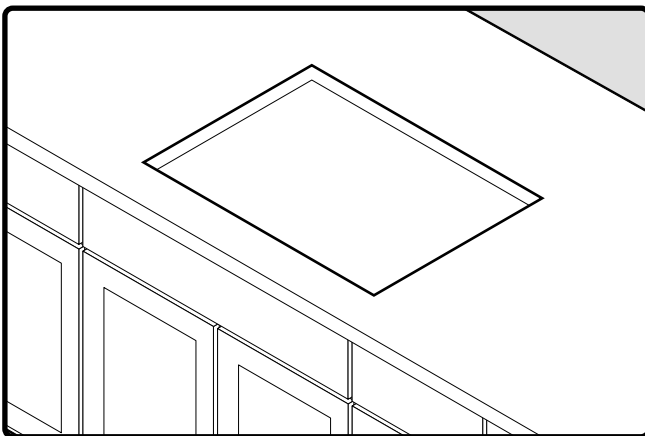
FIG. E

Découpe de l'ouverture du comptoir

Vous trouverez ci-dessous les différents appareils de cuisson lors de la découpe de l'ouverture du plan de travail qui peuvent être utilisés pour le tirage descendant.

REMARQUE: Pour l'installation d'une cuisinière, le système de ventilation à tirage descendant est uniquement compatible avec les cuisinières utilisées dans les installations en îlot où un espace de rangement minimum de 12 po est disponible derrière le système de ventilation à tirage descendant pour accueillir le boîtier du ventilateur. Un kit de finition de cuisinière (DDT-0130 ou DDT-0136, vendu séparément) peut être nécessaire pour couvrir l'espace entre l'arrière de la cuisinière et l'avant du système de ventilation à tirage descendant.

Table de cuisson



Plaque de cuisson

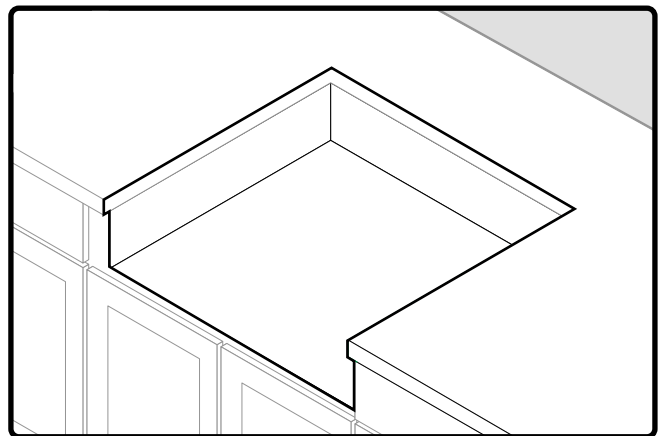
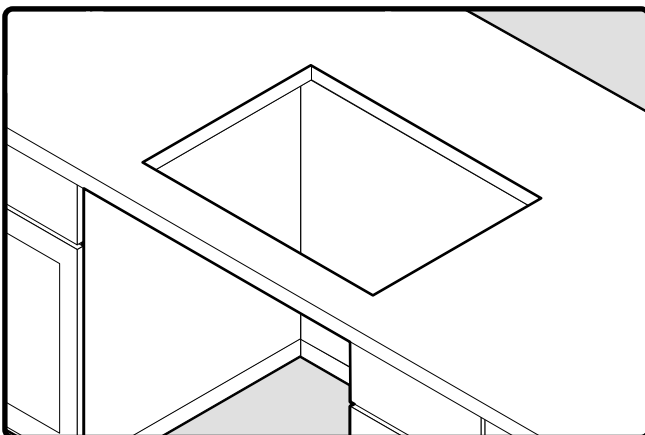
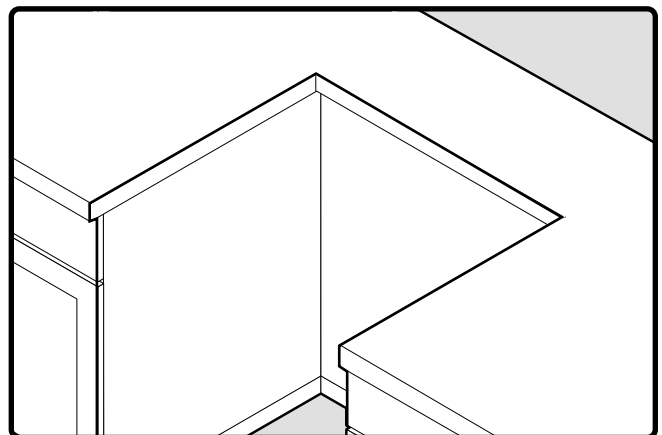


Table de cuisson avec four mural



Cuisinière



Instructions d'installation

Découpe de l'ouverture du comptoir

1. Disposez et découpez la découpe de la table de cuisson suffisamment en avant pour que le système de ventilation puisse s'insérer derrière elle. Reportez-vous à la FIG. F pour les mesures.
2. Placez la table de cuisson en place et faites-la glisser aussi loin que possible vers l'avant. Centrez-la et équarrissez-la avec les bords du plan de travail.
3. Marquez les zones du plan de travail pour l'ouverture du système de ventilation à l'aide du gabarit fourni.
4. Retirez la table de cuisson du plan de travail.
5. Découpez l'ouverture du système de ventilation à l'aide du gabarit fourni.

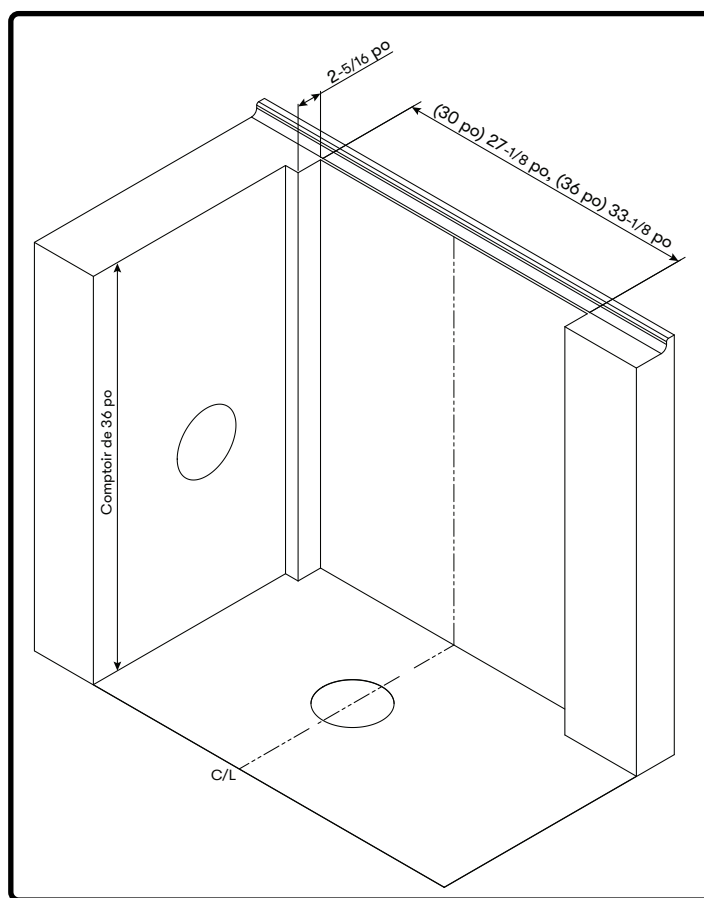


FIG. F

Montage de la hotte à aspiration descendante

1. Placez le ventilateur à aspiration descendante dans l'ouverture de l'armoire en vous assurant que les oreilles de montage dépassant des côtés gauche et droit du corps du ventilateur à aspiration descendante reposent sur le plan de travail.
2. Assurez-vous que le corps du ventilateur à aspiration descendante et le boîtier du ventilateur sont de niveau avant de fixer les supports de mise à niveau (FIG. G).
3. Fixez le ventilateur à aspiration descendante à l'armoire à l'aide des (6) supports de mise à niveau fournis. Reportez-vous à la FIG. H pour le placement des supports de mise à niveau. Fixez (4) supports de mise à niveau courts au corps du ventilateur à aspiration descendante (A) et (2) supports de mise à niveau longs au boîtier du ventilateur (B).
4. Montez les supports de nivellement sur le corps du ventilateur à tirage descendant en utilisant (2) vis M4 x 8 par support de nivellement court et en utilisant (2) vis 3/16 x 1/4 po par support de nivellement long.
5. Fixez les supports de mise à niveau à l'armoire à l'aide de (1) vis n° 6 x 1 po par support.

REMARQUE: Les supports de nivellement peuvent être repositionnés, de sorte que la bride du support soit orientée vers l'intérieur ou vers l'extérieur.

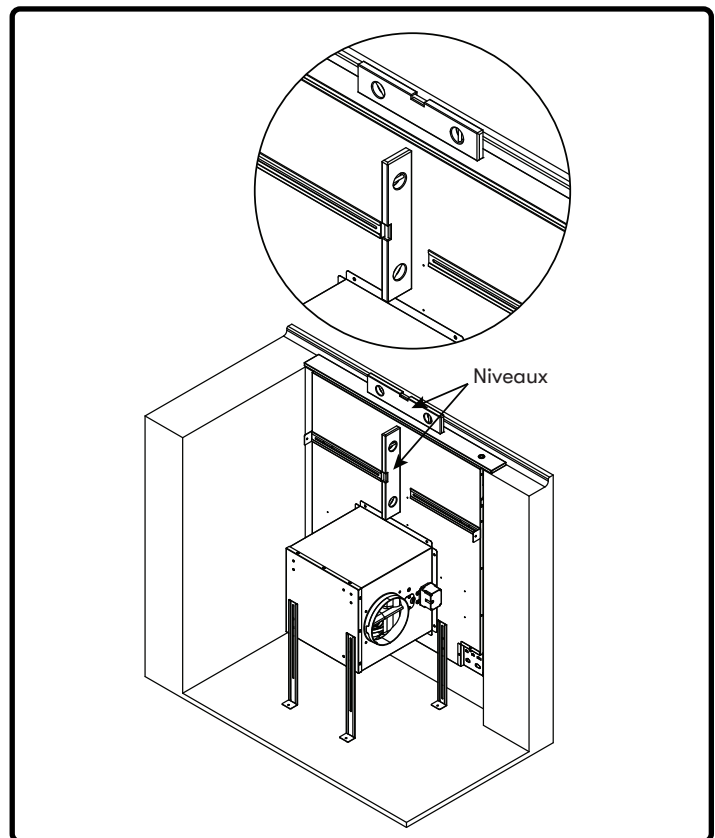


FIG. G

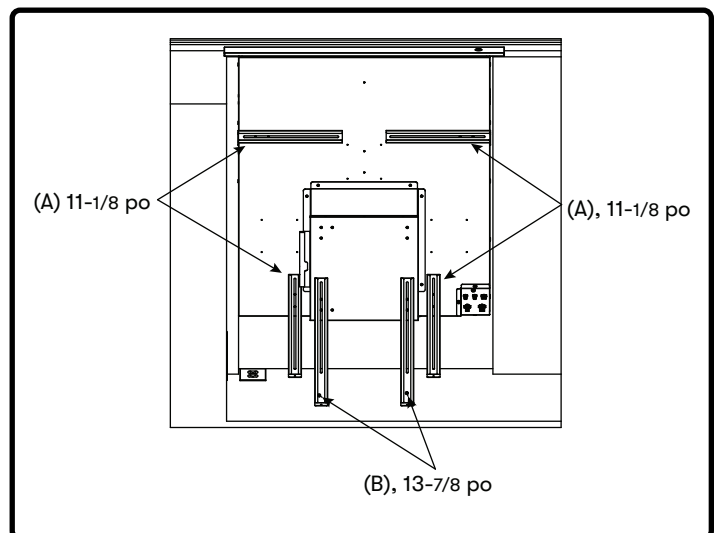


FIG. H

Instructions d'installation

Installation des conduits

Si vous utilisez un kit de recirculation, reportez-vous à la page 21 pour plus d'informations sur la recirculation sans conduit ou reportez-vous au manuel du kit de recirculation pour des instructions d'installation plus détaillées.



ATTENTION

Avant de percer un trou dans l'armoire pour les conduits, vérifiez l'absence d'interférence avec les solives de plancher, les montants muraux, le câblage électrique ou la plomberie.

1. Découpez un trou dans l'armoire ainsi que des trous dans le mur ou le sol si nécessaire.
2. Montez le toit ou le mur et revenez vers l'armoire, en fixant tous les conduits, coudes et transitions comme prévu précédemment. Collez tous les raccords de conduits avec du ruban adhésif en aluminium pour les rendre sûrs et étanches.
3. Connectez les conduits (et la transition, si nécessaire) au tirage descendant.

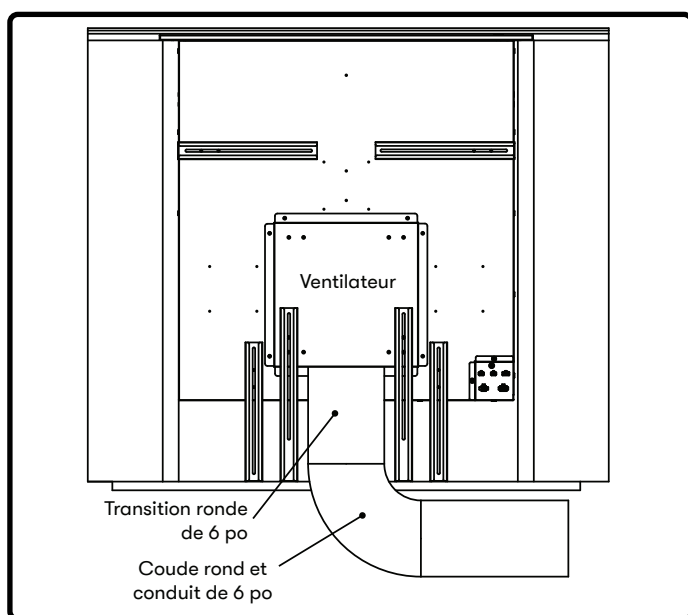


FIG. I

Alimentation de la hotte à aspiration descendante

Branchez le cordon d'alimentation de la hotte aspirante dans la prise électrique. Assurez-vous que le cordon d'alimentation n'interfère pas avec les conduits et qu'il est acheminé loin de toute chaleur générée par la table de cuisson.

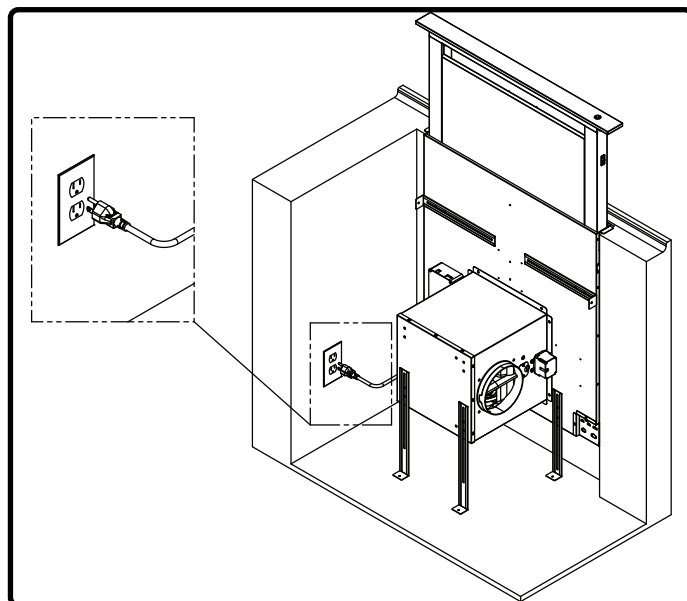


FIG. J

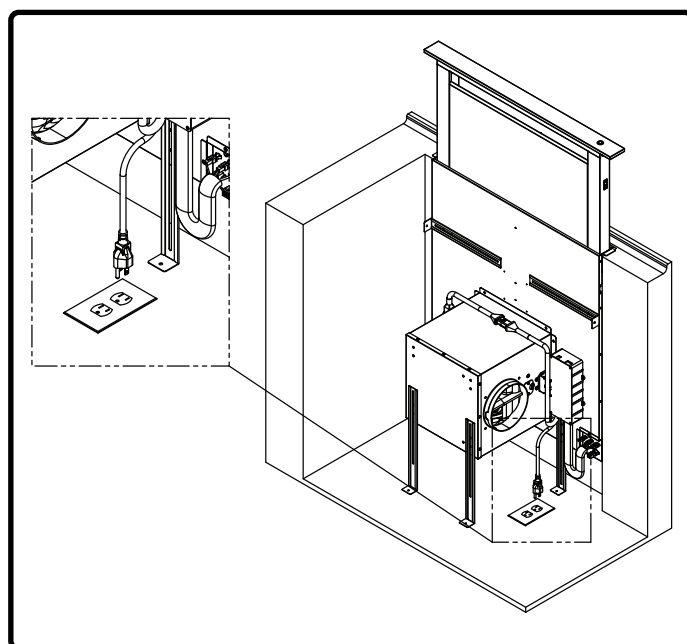


FIG. K

Recirculation sans conduit

La recirculation sans conduit est destinée aux applications où il n'est pas possible d'installer un conduit d'évacuation. Une fois converti, le système à aspiration descendante fonctionne comme un système à recirculation descendante plutôt que comme un système à évacuation descendante. Les fumées et les gaz d'échappement provenant de la cuisson sont aspirés et filtrés par un filtre à charbon en option. L'air est ensuite purifié et recyclé dans la maison.

Nous recommandons de TOUJOURS évacuer l'air à l'extérieur de la maison en utilisant les conduits existants ou en installant de nouveaux, si possible. Le système à aspiration descendante est le plus efficace et le plus efficient en tant que système à évacuation descendante. Ce n'est que lorsque l'option d'évacuation n'est pas possible que vous devez recourir à la conversion du système à aspiration descendante en système à recirculation descendante.

Lorsqu'il est converti en système à recirculation descendante, le filtre à charbon est installé dans le boîtier de recirculation. Commandez en fonction de son numéro de pièce ci-dessous. Les filtres à graisse standard sont destinés à capturer les résidus de cuisson, et le filtre à charbon en option permet de purifier les fumées évacuées par la cuisson pour la recirculation.

Installation du kit de recirculation (nécessaire si aucun conduit n'est utilisé)

Pour des instructions d'installation détaillées, veuillez vous référer au manuel fourni avec le kit de recirculation. Le kit comprend un boîtier de recirculation d'air, un filtre à charbon et une plaque de protection.

Modèle de hotte	Numéro de pièce du kit de recirculation	Filtres dans le package	Numéro de pièce de rechange du filtre à charbon	Quantité à commander
ZTV	ZRC-00TV	1	ZOF-C006	1

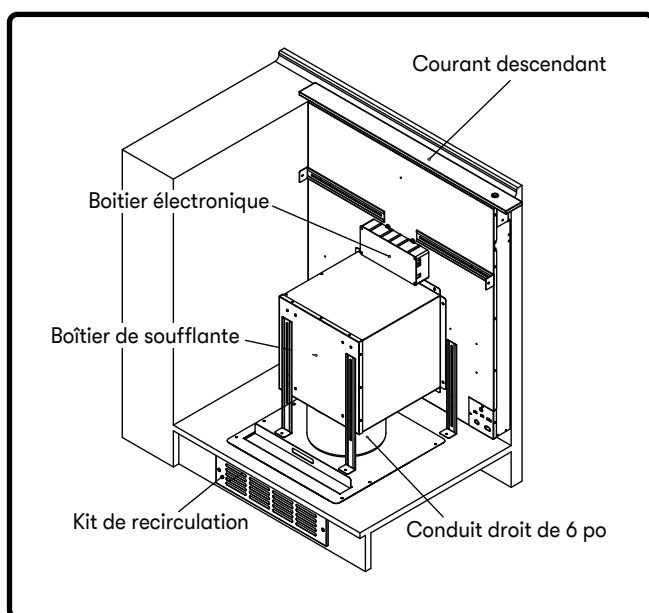


FIG. L

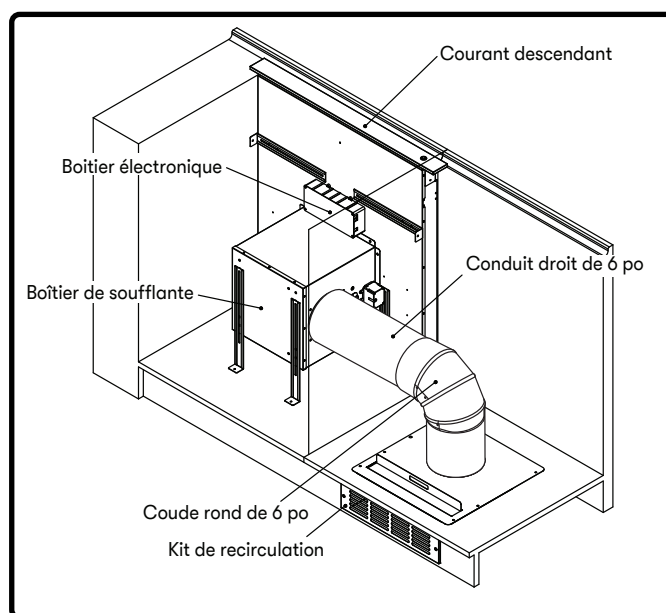
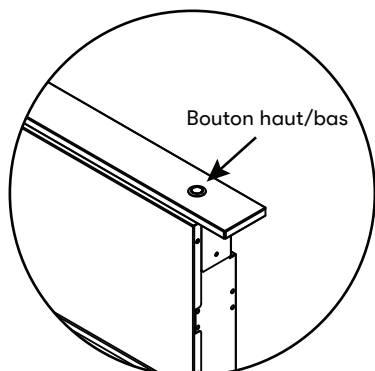


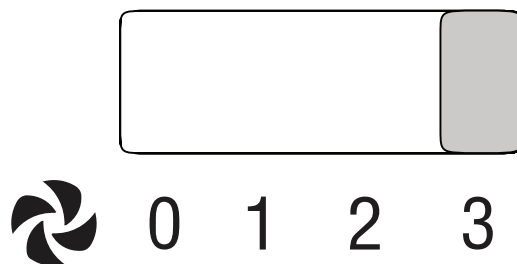
FIG. M

Fonctionnalités et commandes

Bouton haut/bas et commandes à glissière mécaniques



Bouton haut/bas



Commandes mécaniques à glissière

BOUTON HAUT/BAS

- ▶ Allumez le ventilateur à tirage descendant en appuyant sur le bouton Haut/Bas. La cheminée s'élèvera. Appuyez à nouveau sur le bouton Haut/Bas pour éteindre le ventilateur lorsque la cheminée commence à descendre.
- ▶ Un mécanisme de sécurité du ventilateur à tirage descendant empêche la cheminée de se fermer lorsqu'elle heurte un obstacle. Lorsque cela se produit, appuyez à nouveau sur le bouton Haut/Bas pour faire monter la cheminée.

REMARQUE: Pour une utilisation plus pratique, réglez le ventilateur sur votre vitesse préférée. Le ventilateur sera réglé sur cette vitesse chaque fois que le bouton Haut/Bas est enfoncé et une fois que la cheminée est montée.

COMMANDES À GLISSIÈRE MÉCANIQUES - MARCHE/ARRÊT/SÉLECTION DE VITESSE DU VENTILATEUR

- ▶ Lorsque le tirage descendant est en hausse, les commandes sont situées sur le côté droit de l'appareil, légèrement en dessous de la cheminée. 0 est éteint, 1 est à basse vitesse, 2 est à vitesse moyenne et 3 est à haute vitesse.

REMARQUE: Avec ACT™ activé, le nombre de vitesses de ventilateur disponibles sera réduit de 3 à 2 avec 390 CFM comme réglage le plus élevé.

Nettoyage de la hotte et du filtre

Entretien des surfaces

- ▶ N'utilisez pas de détergents corrosifs, de détergents abrasifs ou de nettoyants pour four.
- ▶ N'utilisez aucun produit contenant de l'eau de Javel ou du chlorure.
- ▶ N'utilisez pas de laine d'acier ou de tampons à récurer abrasifs qui rayeront et endommageront la surface.

Nettoyage de l'acier inoxydable

Nettoyez régulièrement avec de l'eau chaude savonneuse et un chiffon en coton propre ou un chiffon en microfibre. Frottez toujours dans le sens du grain de l'acier inoxydable. Pour éliminer les dépôts de graisse plus importants, utilisez un détergent dégraissant liquide.

Après le nettoyage, utilisez un produit de polissage/nettoyage non abrasif pour acier inoxydable, pour polir et polir le lustre et le grain de l'acier inoxydable. Frottez toujours légèrement, avec un chiffon en coton propre ou un chiffon en microfibre et polissez dans le sens du grain de l'acier inoxydable.

Nettoyage des filtres à graisse

Les filtres à graisse sont destinés à retenir les résidus et la graisse de cuisson. Bien que les filtres ne doivent jamais être remplacés, ils doivent être nettoyés tous les 30 jours ou plus souvent selon les habitudes de cuisson.

Les filtres à graisse peuvent être placés au lave-vaisselle à basse température ou trempés dans de l'eau chaude savonneuse. Séchez les filtres et réinstallez-les avant d'utiliser la hotte.

Pour retirer les filtres à graisse, veuillez suivre les instructions ci-dessous :

1. Relevez complètement la cheminée à tirage descendant en appuyant sur le bouton Haut/Bas. Assurez-vous ensuite que le tirage descendant est désactivé en faisant glisser l'interrupteur sur 0 à partir des commandes de l'interrupteur mécanique.
2. Le panneau avant est fixé en le suspendant à quatre loquets. Retirez le panneau avant en saisissant le haut, en le soulevant directement vers le haut et en le tirant vers l'extérieur (FIG. N). À partir de là, les filtres à graisse doivent être visibles.
3. Retirez les filtres à graisse en les soulevant.

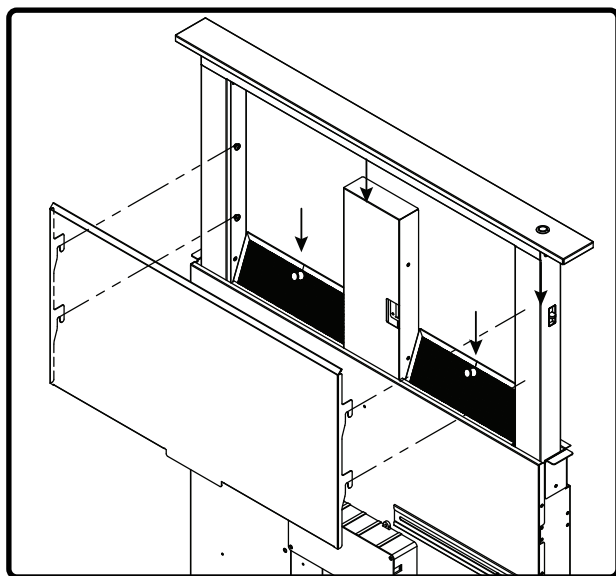


FIG. N

Conversion ACT™

COURANT DESCENDANT

Technologie de contrôle du débit d'air (ACT™)

Certains codes locaux limitent la quantité maximale de CFM qu'une hotte de cuisinière peut déplacer. ACT™ vous permet de contrôler le CFM maximal du ventilateur de certaines hottes de cuisinière Zephyr Ventilation sans avoir besoin de kits d'air d'appoint coûteux. ACT™ permet à l'installateur de régler facilement la vitesse maximale du ventilateur sur l'un des niveaux de CFM les plus couramment spécifiés ; 390 CFM. L'utilisation d'ACT™ peut ne pas être nécessaire pour votre installation. Veuillez vérifier vos codes locaux pour connaître les restrictions en CFM.

Pour vérifier si votre installateur a activé ACT™ :

1. Une étiquette en aluminium doit être située à l'intérieur du corps de la hotte, près du schéma de câblage, indiquant le débit en CFM du ventilateur.
2. Avec la cheminée entièrement relevée et le panneau avant retiré, vérifiez le panneau latéral droit en bas. La vis ACT™ est entièrement insérée.
3. Lorsque ACT™ est activé, les vitesses du ventilateur sont réduites de 3 à 2.



Activer ACT™

Pour activer ACT™ :

1. Appuyez sur le bouton Up/Down pour relever complètement la cheminée. Une fois qu'elle est remontée, coupez le tirage descendant.
2. Retirez le panneau avant en le soulevant directement vers le haut (FIG. O1) et en le retirant (FIG. O2).
3. Repérez le trou de vis ACT™ sur le panneau latéral droit en bas (FIG. P).
4. Insérez la vis ACT™ (FIG. Q).
5. Serrez complètement la vis pour activer ACT™.
6. Retirez l'autocollant CFM en aluminium approprié fourni avec la documentation de la hotte et placez-le à l'intérieur du corps de la hotte sous le schéma de câblage ou dans un autre endroit clairement visible (FIG. R).

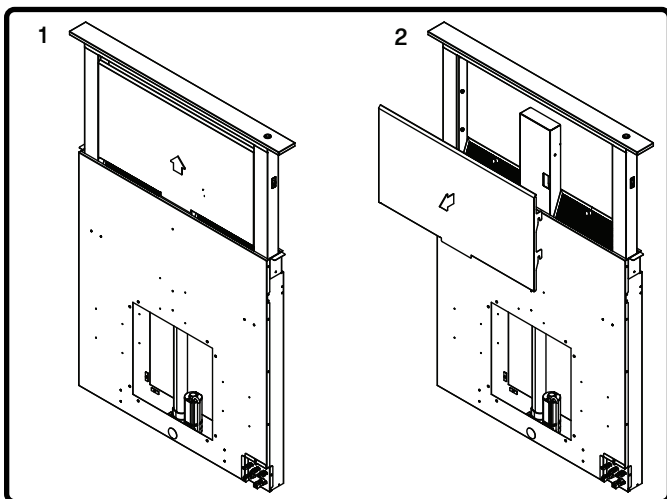


FIG. O

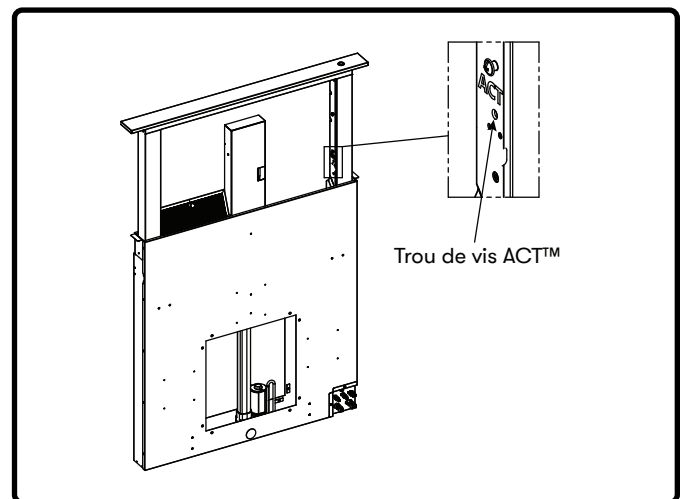


FIG. P

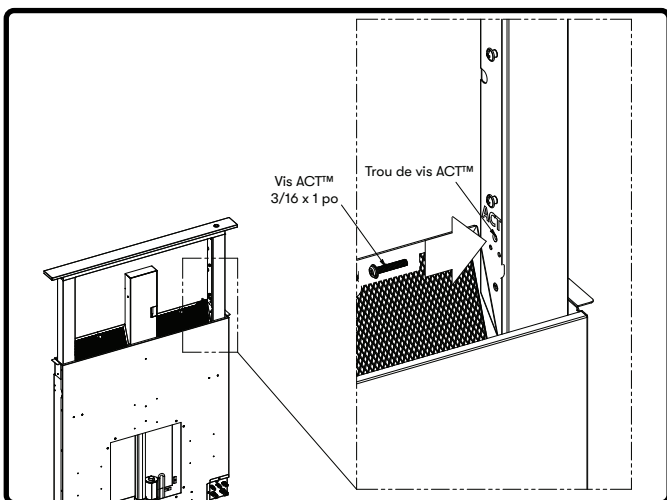


FIG. Q

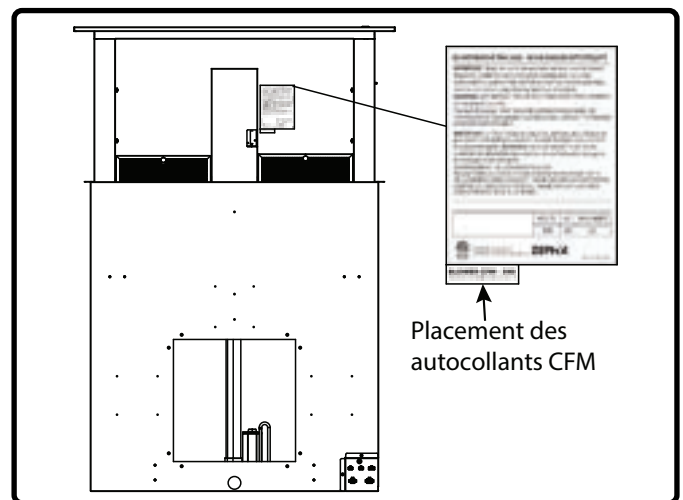
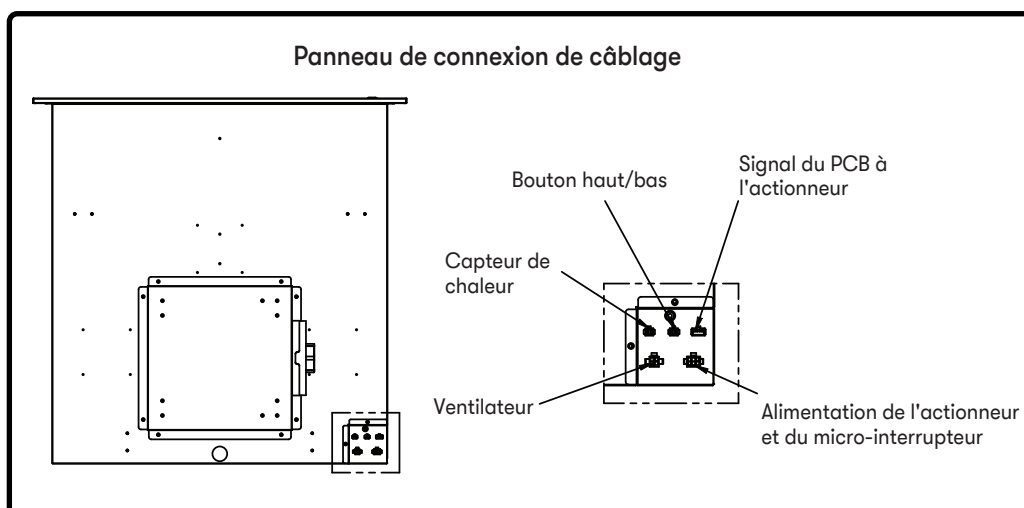
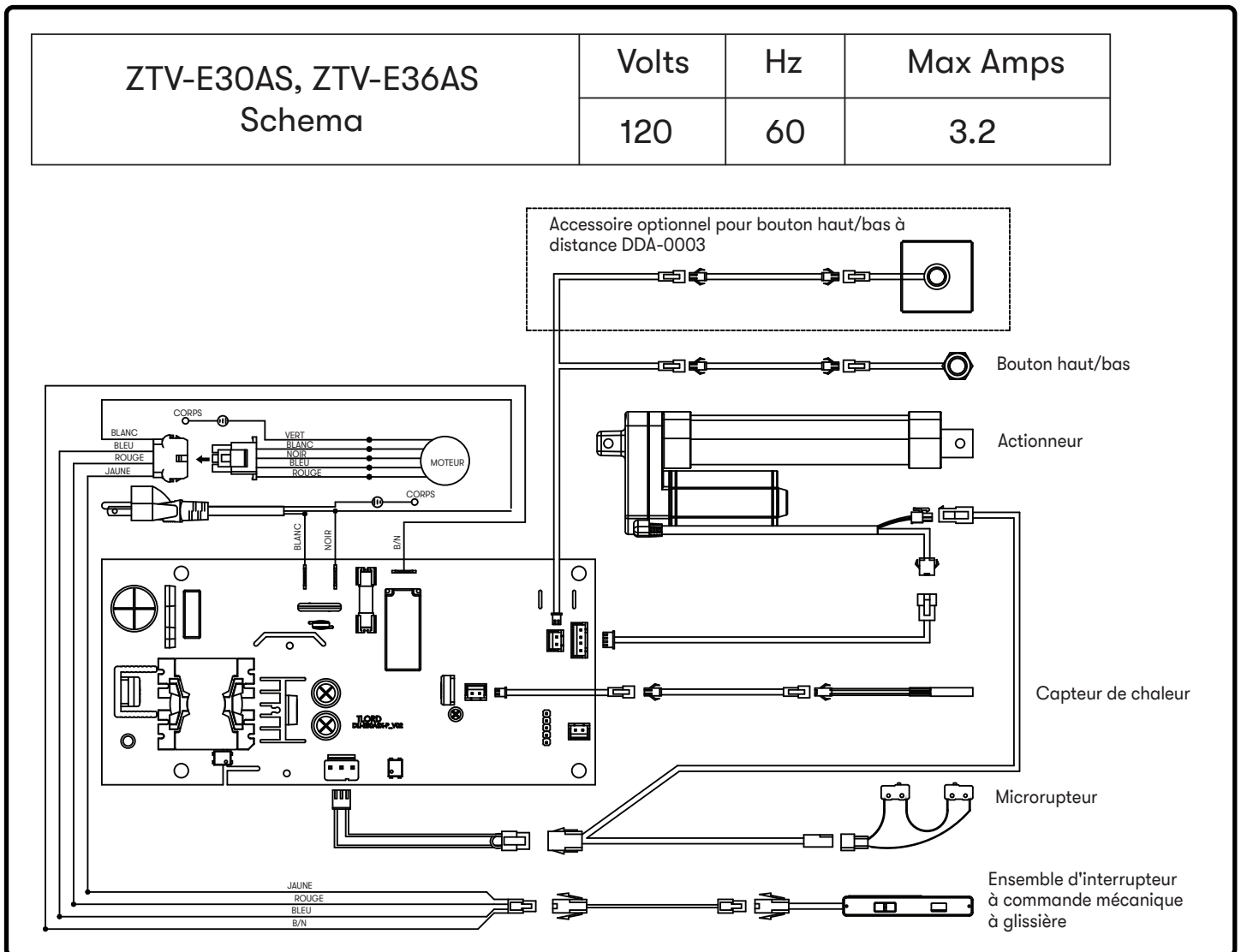


FIG. R

Schéma de câblage

COURANT DESCENDANT



Problème possible	Cause possible	Solutions
Après l'installation, l'appareil ne fonctionne pas.	La source d'alimentation n'est pas allumée.	Assurez-vous que le disjoncteur et l'alimentation de l'appareil sont activés.
	La ligne électrique et le connecteur de verrouillage du câble ne se connectent pas correctement.	Vérifiez que la connexion électrique avec l'appareil est correctement connectée.
	Les câblages du tableau de commande sont déconnectés.	Assurez-vous que les câbles du panneau de commande sont correctement connectés.
	Les fils du panneau de commande sont desserrés.	Assurez-vous que les fils du panneau de commande sont correctement connectés.
	Les fils du panneau de câblage sont déconnectés.	Assurez-vous que tous les fils sont correctement connectés au panneau de câblage.
L'unité vibre.	Le ventilateur n'est pas fixé en place.	Serrez le ventilateur en place.
	Roue de soufflante endommagée.	Remplacer le ventilateur.
	La capuche n'est pas fixée en place.	Vérifiez l'installation de la hotte.
L'unité siffle.	Un filtre n'est pas dans la bonne position.	Ajustez les filtres jusqu'à ce que le sifflement cesse.
	Les raccords des conduits ne sont pas scellés ou connectés correctement.	Vérifiez les connexions des conduits pour vous assurer que toutes les connexions sont correctement scellées.
La hotte ne ventile pas correctement.	Utilisation d'un conduit de mauvaise taille.	Changez le conduit à la bonne taille.
	Le vent provenant des fenêtres ou des portes ouvertes dans les environs affecte la ventilation de la hotte.	Fermez toutes les fenêtres et les portes pour éliminer le flux d'air extérieur.
	Obstruction dans l'ouverture du conduit ou dans les conduits.	Retirez tout ce qui bloque les conduits ou l'ouverture des conduits.
La cheminée monte mais s'arrête ou descend mais s'arrête ou ne se déplace que de quelques centimètres à la fois.	Il peut y avoir une obstruction.	Éliminez tous les obstacles.
	Le corps à tirage descendant peut être installé de manière inégale.	Assurez-vous que le corps du ventilateur à tirage descendant est correctement mis à niveau.
	Mauvais placement du câblage du ventilateur.	Vérifiez que le câblage du ventilateur est correct. Corrigez le câblage du ventilateur ; reportez-vous à la page 26.
La cheminée monte et descend, mais le ventilateur ne s'allume pas.	La vitesse du ventilateur est réglée sur 0.	Changez la vitesse du ventilateur sur 1-3.
	La prise du ventilateur est débranchée.	Brancher la prise du ventilateur.
	Aucune alimentation ne provient du panneau de commande, du moteur du ventilateur ou du condensateur.	Remplacez la pièce et testez la fonctionnalité en commençant d'abord par la carte de commande.
Les vitesses du ventilateur ne correspondent pas aux commandes.	Mauvais placement du câblage du ventilateur.	Vérifiez que le câblage du ventilateur est correct. Corrigez le câblage du ventilateur ; reportez-vous à la page 26.
Les vitesses de ventilateur 2 et 3 semblent identiques.	ACT™ est activé, probablement en raison des codes locaux.	N/A

Liste des pièces et accessoires

COURANT DESCENDANT

Description	Numéro de pièce
Pièces de rechange	
Remplacement du filtre à charbon	Z0F-C006
Accessoires optionnels	
Interrupteur à distance filaire	DDA-0003
Kit de recirculation	ZRC-00TV
Ensemble de garniture de cuisinière, 30 po	DDT-0130
Ensemble de garniture de cuisinière, 36 po	DDT-0136
Kit d'air d'appoint, 6"	MUA006A

Pour commander des pièces, visitez-nous en ligne à <http://store.zephyronline.com>.

POUR OBTENIR UN SERVICE SOUS GARANTIE OU POUR TOUTES QUESTIONS LIÉES AU SERVICE

Les clients des États-Unis doivent appeler le: 1-888-880-8368 ou nous contacter à: zephyronline.com/contact

Clients du Canada, veuillez appeler: 1-800-361-0799 ou par courriel: service@distinctive-online.com

Zephyr Corporation (désigné aux présentes sous le nom de « nous ») garantit au premier acheteur (désigné aux présentes sous le nom de « vous » ou « votre ») de produits Zephyr (les « Produits ») que lesdits produits sont exempts de défauts de fabrication ou de main-d'œuvre selon les conditions suivantes :

Garantie de deux ans sur les pièces : Garantie de deux ans à partir de la date d'achat originale du Produit. Nous fournirons sans frais les Produits ou les pièces de remplacement qui comportaient des défauts de fabrication. Nous pourrions choisir, à notre seule discrétion, de réparer ou de remplacer des pièces avant de prendre la décision de remplacer le Produit.

Garantie limitée d'un an sur la main-d'œuvre : Garantie d'un an à partir de la date d'achat originale du Produit. Nous couvrirons sans frais les frais de main-d'œuvre afférents à la réparation du Produit ou des pièces de remplacement qui comportaient des défauts de fabrication. Un an après la date d'achat originale, vous serez responsable de tous les frais de main-d'œuvre associés à la présente garantie.

Exclusions de la garantie : Cette garantie ne couvre que la réparation ou le remplacement, à notre gré, de pièces ou de Produits défectueux et ne couvre aucun autre coût afférent aux Produits, dont, sans s'y limiter, les frais liés : (a) à l'entretien normal des Produits et au remplacement des pièces consommables, comme les ampoules, les filtres métalliques, les filtres à charbon et les fusibles; (b) à tout Produit ou pièce ayant été endommagé durant le transport ou étant le résultat d'un mauvais usage, d'une négligence, d'un accident, d'une installation incorrecte ou ne respectant pas les notices d'installation recommandées, d'un entretien ou d'une réparation inapproprié (dont ne nous sommes pas responsables); (c) à une utilisation commerciale ou ne correspondant pas à l'utilisation pour laquelle les Produits sont conçus; (d) à l'usure naturelle du fini, à l'usure due à un entretien inadéquat, à l'utilisation de produits nettoyants corrosifs ou abrasifs, de tampons nettoyeurs et de produits de nettoyage pour le four; (e) aux éclats, entailles ou fissures résultant d'un abus ou d'une mauvaise utilisation du Produit; (f) aux déplacements d'un technicien de service à votre domicile pour vous montrer comment utiliser les Produits; (g) aux dommages causés par un accident, un incendie, une inondation ou un cas fortuit. Si vous vous trouvez à l'extérieur du territoire que nous desservons, des frais supplémentaires pourraient s'appliquer pour la livraison des produits à nos points de service désignés pour une réparation sous garantie ou vous pourriez avoir à déboursier les frais de déplacement du technicien à votre domicile pour que le Produit soit réparé, enlevé ou réinstallé. Un an après la date d'achat originale du Produit, vous êtes également responsable de tous les frais de main-d'œuvre associés à la présente garantie.

Restrictions de la garantie. NOTRE OBLIGATION DE RÉPARER OU DE REMPLACER, À NOTRE GRÉ, LE PRODUIT CONSTITUE VOTRE SEUL ET UNIQUE RECOURS SOUS LA PRÉSENTE GARANTIE. NOUS NE NOUS PORTONS PAS RESPONSABLES POUR TOUT DOMMAGE INDIRECT, ACCESSOIRE OU PARTICULIER RÉSULTANT OU AYANT UN LIEN AVEC L'UTILISATION OU LE RENDEMENT DES PRODUITS. LES GARANTIES EXPRESSES DE LA SECTION PRÉCÉDENTE SONT EXCLUSIVES ET TIENNENT LIEU DE TOUTE AUTRE GARANTIE EXPRESSE. PAR LES PRÉSENTES, NOUS REJETONS ET EXCLUONS TOUTE AUTRE GARANTIE EXPRESSE POUR LES PRODUITS ET TOUTES LES GARANTIES TACITES PRÉVUES PAR LA LOI, DONT CELLES RELATIVES À LA QUALITÉ MARCHANDE OU À L'ADÉQUATION DU PRODUIT POUR UNE UTILISATION PARTICULIÈRE. Certains États ou provinces n'autorisent pas les restrictions sur la durée d'une garantie implicite ou l'exclusion ou la restriction des dommages indirects ou accessoires; par conséquent, les exclusions et restrictions mentionnées ci-dessus pourraient ne pas s'appliquer à votre cas. Dans la mesure où une loi applicable interdit l'exclusion de garanties implicites, la durée de toute garantie implicite applicable se limite à la période de deux ans décrite ci-dessus. L'unique objectif de toute description orale ou écrite est de présenter les Produits et celle-ci ne devrait pas être interprétée comme une garantie expresse. Avant d'utiliser ou de permettre l'utilisation des Produits, vous devrez déterminer si les Produits conviennent aux utilisations prévues et vous devrez assumer tout risque et toute responsabilité relatifs à ces utilisations. Nous nous réservons le droit d'utiliser des pièces reconstruites ou remises à neuf pour remplacer l'une des fonctionnalités dans le cadre de la présente garantie ou de l'une des parties de la présente garantie. L'acheteur original ne peut transférer la présente garantie et celle-ci n'est valide qu'aux États-Unis et au Canada.

Pour obtenir du service sous la garantie : Pour avoir droit à du service sous garantie, vous devez : (a) nous avertir en utilisant l'adresse ou le numéro de téléphone inscrit ci-dessous dans les soixante jours suivant la détection du défaut; (b) donner le numéro du modèle, le numéro d'identification de la pièce ainsi que le numéro de série; et (c) décrire la nature de tout défaut de la pièce ou du Produit. Au moment de faire la demande de service sous garantie, vous devrez présenter votre preuve d'achat et la preuve de la date d'achat originale. Si nous déterminons que les exclusions de la garantie énumérées ci-dessus s'appliquent ou si vous vous trouvez dans l'incapacité de nous fournir la documentation nécessaire pour obtenir du service, vous serez responsable de tous les frais d'expédition, de déplacement, de main-d'œuvre ou de tout autre coût afférent au service.

Veuillez consulter notre site Web au www.zephyronline.com pour savoir si des révisions ont été apportées à la garantie.

Zephyr, 2277 Harbor Bay Parkway, Alameda, CA 94502

Enregistrement du produit

Nous vous félicitons d'avoir acheté un produit Zephyr. Veuillez prendre un moment pour enregistrer votre nouvelle produit au www.zephyronline.com/registration

C'EST IMPORTANT

Cet enregistrement rapide est utile à bien des égards.

- Il assure la couverture de votre garantie si vous avez besoin de service après-vente.
- À des fins d'assurance, il permet de confirmer que vous êtes le propriétaire.
- Il vous permet de recevoir des avis concernant des modifications ou des rappels de produits.



Zephyr Ventilation | 2277 Harbor Bay Pkwy. | Alameda, CA 94502