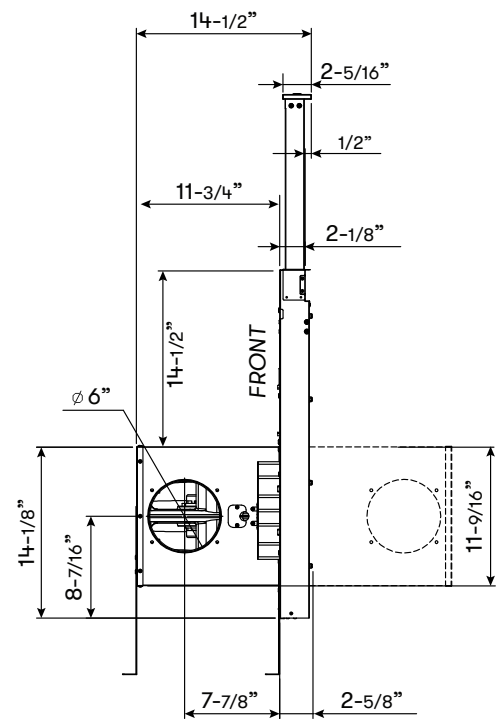
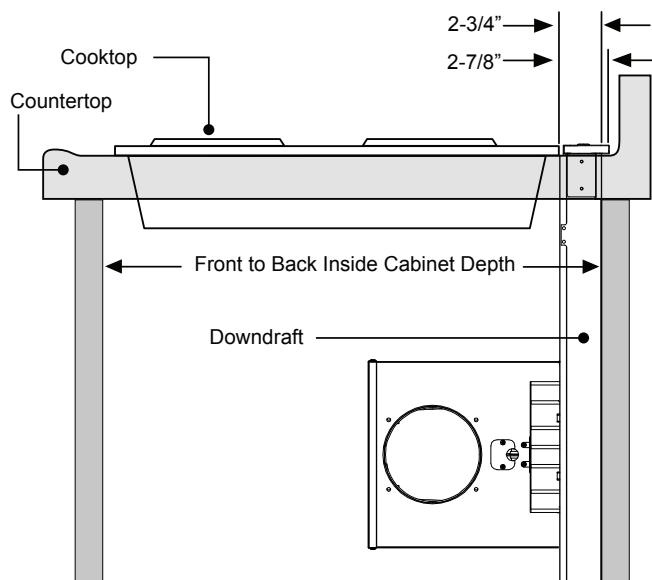


FRONT

CLEARANCE DIMENSIONS



SIDE

MODEL	ZTV-E30AS	ZTV-E36AS
Stainless Steel Size	30"	36"
BLOWER PERFORMANCE		
Blower CFM (Min. - Max.)	200 - 600	200 - 600
Sones (Min. - Max.)	2 - 6	2 - 6
ACT 390 CFM (Min. - Max.)	200 - 390	200 - 390
FEATURES		
ACT™ Technology	390	390
Controls	Mechanical Slide	Mechanical Slide
Speed Levels	3*	3*
Auto On/Off**	Yes	Yes
Lighting	No	No
Filters	Stainless Steel Mesh x2	Stainless Steel Mesh x2
14" Chimney Rise	Yes	Yes
Reversible Blower Housing***	Yes	Yes
3-Way Ducting	Yes	Yes
Recirculating Option	Yes	Yes
DUCT SPECIFICATIONS		
Left/Right Ducting	6" Round	6" Round
Bottom Ducting	6" Round	6" Round
AC POWER	120V, 60Hz at Max. 3.2A	120V, 60Hz at Max. 3.2A
OPTIONAL ACCESSORIES		
Recirculating Kit	ZRC-00TV	ZRC-00TV
ADA-Compliant Up/Down Remote Control	DDA-0003	DDA-0003
Range Trim Kit	DDT-0130	DDT-0136
Make-Up Air Kit	MUA006A	MUA006A
WARRANTY	2 years parts, 1 year labor	2 years parts, 1 year labor

COOKING APPLIANCE CONFIGURATIONS

Accommodate multiple cooking appliance combinations thanks to the reversible blower housing.



Cooktop



Cooktop + Oven**



Range Top



Range**

*When ACT™ is enabled the maximum speed levels will change. ACT 390 CFM = 2 speeds.

**Automatically turns on or off when raising or lowering the chimney.

***To achieve a cooktop + oven or range installation, the blower must be relocated to the back of the downdraft. The cabinet depth behind the downdraft must be a minimum of 12".

Specifications subject to change, check zephyronline.com for up-to-date information.
Zephyr Ventilation | 2277 Harbor Bay Parkway, Alameda, CA 94502 | 888.880.VENT

JAN25.0101

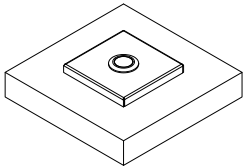


OPTIONAL
ACCESSORIES

OPTIONAL ACCESSORY

DESCRIPTION

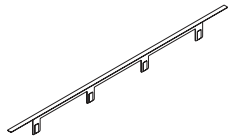
Model DDA-0003

**ADA-Compliant Wired Up/Down
Remote Control**

Use when you cannot reach the UP/
DOWN button on the downdraft chimney.

Can be located on counter top, face of
cabinetry or on the side cabinet of an
island.

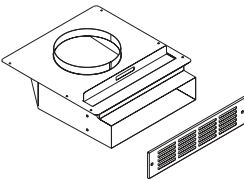
Cannot be used where remote control will
interfere with cooking, where hot pans
could be set, or where hot liquids could
be spilled on the control.

Models
DDT-0130, DDT-0136**Range Trim Kit**

Use with free-standing range - where a
gap is present between back of range
and downdraft

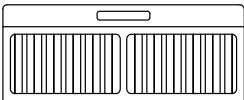
30", 36" widths

Model ZRC-00TV

Non-Duct Recirculating Kit

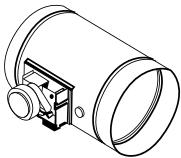
Use where ducting is not feasible or
available. Mount to toe kick or base of a
cabinet and attach directly to the blower
using 6" round duct. Kit can be rotated so
that the exhaust is not directly at your
feet. Includes recirculating filter and
decorative cover plate.

Model Z0F-C006

Replacement Charcoal Filter

Smoke and odors pass through charcoal
filters allowing purified air to be reintro-
duced into the kitchen.

Model MUA006A

Make-Up Air Kit

When range hoods exhaust air out of
your home, negative air pressure is
created unless the exhausted air is
replaced by fresh outdoor air.

Zephyr's Make-Up Air Damper is designed
to balance the air pressure in your home
by automatically opening to allow fresh
air in while the range hood is operating.