

HANDLELESS OVENS AND COMPANIONS, 24"

PLANNING GUIDE

OVEN | OB24SMPTNB1

STEAM OVEN | OS24SMTNB1, OS24NMTNB1

SPEED OVEN | OM24NMTNB1

BUILT-IN COFFEE MAKER | EB24MSB1

WARMING DRAWER | WB24SMB1-SET

VACUUM SEAL DRAWER | VB24SMB1-SET

FISHER & PAYKEL

This comprehensive Planning Guide provides you with the framework and tools to achieve your desired design outcome with Fisher & Paykel appliances. In this guide, you will find a range of conceptual, detailed and dimensional product information to bring your ideas to life and create spaces that truly reflect your vision.

CONTENTS

CONCEPT DESIGN	PAGE	DEVELOPED AND DETAILED DESIGN	PAGE	DEVELOPED AND DETAILED DESIGN	PAGE
Design Choices		Data Sheets		Planning Considerations	
Ovens and Companions - ALL MODELS	4	Oven	18	Cabinetry Preparation - ALL MODELS	26
Configurations - ALL MODELS	5	Combination Steam Oven	19	Configurations - ALL MODELS	27
Overview - ALL MODELS	6	Combination Steam Oven	20	Oven	28
		Convection Speed Oven	21	Combination Steam Oven	29
Specification Guides		Built-in Coffee Maker	22	Combination Steam Oven	30
Oven	8	Warming Drawer	23	Convection Speed Oven	31
Combination Steam Oven	9	Vacuum Seal Drawer	24	Built-in Coffee Maker	32
Combination Steam Oven	10			Warming Drawer	33
Convection Speed Oven	11			Vacuum Seal Drawer	34
Built-in Coffee Maker	12				
Warming Drawer	13			Services	
Vacuum Seal Drawer	14			Power Cord Length and Location - COMPANIONS	36
Dimensions - ALL MODELS	15			Power Cord Length and Location - OVENS	37
Power, Weight and Capacity - ALL MODELS	16				

The models shown in this Planning Guide may not be available in all markets and are subject to change at any time. Product specifications may vary from those shown. This Planning Guide should not be used as installation guidance for any product. Further information is required to safely and correctly install the products featured here. Specific installation guidance will be available on our website fisherpaykel.com

DESIGN CHOICES

OVENS

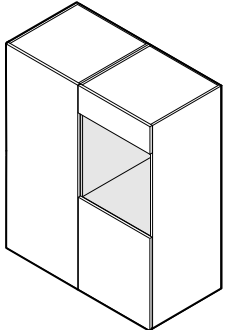
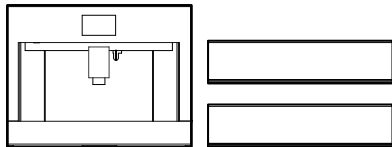
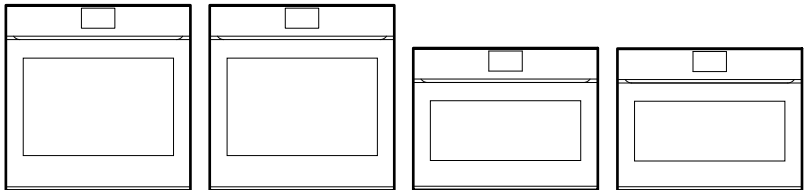
STEAM OVENS

SPEED OVENS

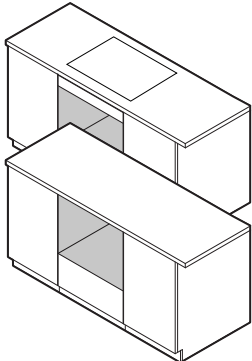
COFFEE MAKER

DRAWERS

INSTALLATION OPTIONS



Installation in wall



Installation under-bench

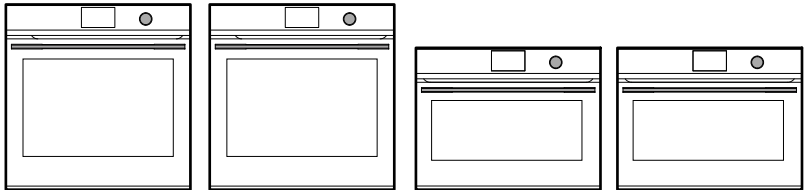
COLOUR



Black Glass

HANDLELESS FAMILY

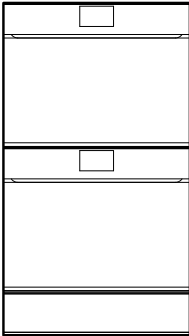
DIAL AND HANDLE FAMILY



The models shown in this Planning Guide may not be available in all markets and are subject to change at any time. Product specifications may vary from those shown. This Planning Guide should not be used as installation guidance for any product. Further information is required to safely and correctly install the products featured here. Specific installation guidance will be available on our website fisherpaykel.com

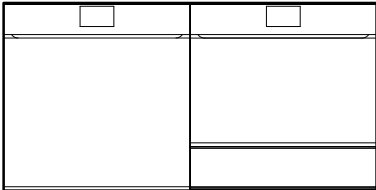
STACKED INSTALLATION

Stack Height
41 3/4" (1060mm)



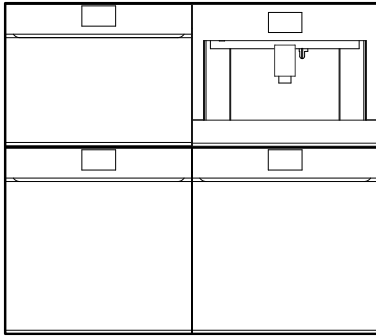
ROW INSTALLATION

Stack Height
23 5/8" (600mm)

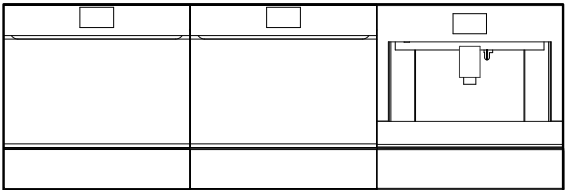


GRID INSTALLATION

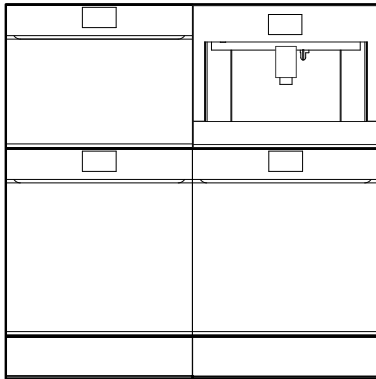
Stack Height
41 3/4" (1060mm)



Stack Height
23 5/8" (600mm)



Stack Height
47 1/4" (1200mm)



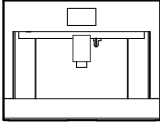
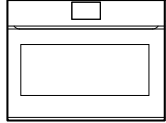
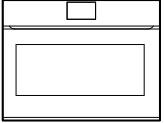
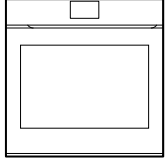
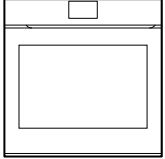
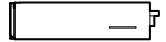
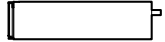
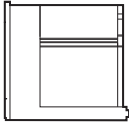

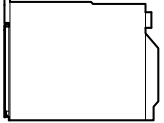
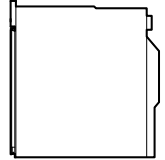
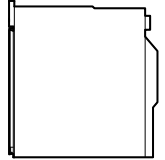
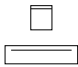
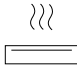
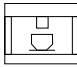
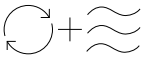
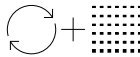
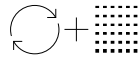



CONSIDERATIONS

Different configurations possible, considerations are height, colour, dial and handle or handleless.

Note: Stack Height is overall product height with minimum clearances above appliance front panel to upper cabinetry front panel or appliance.

The models shown in this Planning Guide may not be available in all markets and are subject to change at any time. Product specifications may vary from those shown. This Planning Guide should not be used as installation guidance for any product. Further information is required to safely and correctly install the products featured here. Specific installation guidance will be available on our website fisherpaykel.com

FRONT ELEVATION							
SIDE ELEVATION							
							
	VACUUM SEAL DRAWER	WARMING DRAWER	BUILT-IN COFFEE MAKER	CONVECTION SPEED OVEN	COMBINATION STEAM OVEN	COMBINATION STEAM OVEN	OVEN
Series	Series 9	Series 9	Series 9	Series 9	Series 9	Series 11	Series 9
Model Codes Black Glass	VB24SMB1-SET	WB24SMB1-SET	EB24MSB1	OM24NMTNB1	OS24NMTNB1	OS24SMTNB1	OB24SMPTNB1
Interface	-	-	4.3" Touchscreen	5" Touchscreen	5" Touchscreen	5" Touchscreen	5" Touchscreen
Overall Product Heights	5 1/2" (140mm)	5 1/2" (140mm)	18" (458mm)	18" (458mm)	18" (458mm)	23 9/16" (598mm)	23 9/16" (598mm)
Front Panel Thickness	13/16" (20mm)	13/16" (20mm)	13/16" (20mm)	13/16" (20mm)	13/16" (20mm)	13/16" (20mm)	13/16" (20mm)

The models shown in this Planning Guide may not be available in all markets and are subject to change at any time. Product specifications may vary from those shown. This Planning Guide should not be used as installation guidance for any product. Further information is required to safely and correctly install the products featured here. Specific installation guidance will be available on our website fisherpaykel.com

SPECIFICATION GUIDE



OB24SMPTNB1



OB24SMPTNB1

OVERVIEW

Designed to complement our Minimal style appliances, this handleless oven offers a sleek, uninterrupted aesthetic that moves beyond traditional oven doors. Perfect for true handleless kitchen designs, it provides a streamlined look and ensures a continuous flow across kitchen surfaces. With a generous 3cu ft capacity, 16 functions, and self-cleaning, its guided touchscreen ensures perfect results with ease.

PRODUCTS

OB24SMPTNB1 - Black Glass
Oven, 24", 16 Function, Self-cleaning

SERIES & STYLE

Series 9
Minimal

ACCESSORIES

- ① Broil Grid
- ② Broil Pan
- ③ Broil Rack
- ④ 1x Full Extension Sliding Shelf
- ⑤ Step Down Wire Shelf
- ⑥ Wired Temperature Sensor
- ⑦ Pyrolytic Proof Shelf Runners

FEATURES

- ① Handleless oven design ensures smooth, uninterrupted lines in kitchen cabinetry for a cohesive look
- ② Designed to complement our Minimal style kitchen appliances
- ③ Effortlessly open and close the oven with a gentle press of a button, ensuring convenience and smooth operation in the kitchen
- ④ Available in black glass finish
- ⑤ Designed to match companion products such as Warming Drawers
- ⑥ Guided touchscreen cooking offers helpful tips for different food types
- ⑦ Generous 3cu ft total capacity
- ⑧ 16 oven functions including Pastry Bake, Roast, and Air Fry
- ⑨ Self-cleaning pyrolytic function breaks down food residue for an easy clean
- ⑩ Even heat circulation with AeroTech™, ideal for multi-shelf cooking
- ⑪ Includes a Wired Temperature Sensor for real-time monitoring of cooking temperatures
- ⑫ Voice-activated oven door provides hands-free control, compatible with Google's voice assistant via the SmartHQ™ app monitoring of cooking temperatures

The models shown in this Planning Guide may not be available in all markets and are subject to change at any time. Product specifications may vary from those shown. This Planning Guide should not be used as installation guidance for any product. Further information is required to safely and correctly install the products featured here. Specific installation guidance will be available on our website fisherpaykel.com



OS24SMTNB1



OS24SMTNB1

OVERVIEW

The cornerstone of our collection, our handleless Combination Steam Oven offers a sleek, uninterrupted aesthetic that moves beyond traditional oven doors. Perfect for true handleless kitchen designs, it provides a streamlined look and ensures a continuous flow across kitchen surfaces. With 23 functions and a sophisticated balance of full steam and steam assist options at various temperatures, this oven ensures perfect results.

PRODUCTS

OS24SMTNB1 - Black Glass
Combination Steam Oven, 24", 23 Function

SERIES & STYLE

Series 11
Minimal

ACCESSORIES

- ① Broil Grid
- ② Broil Pan
- ③ Broil Rack
- ④ 2x Descale Solutions
- ⑤ 2x Full Extension Sliding Shelves
- ⑥ Large Steam Dish
- ⑦ Small Perforated Steam Dish
- ⑧ Wired Temperature Sensor

FEATURES

- ① Handleless oven design ensures smooth, uninterrupted lines in kitchen cabinetry for a cohesive look
- ② Designed to complement our Minimal style kitchen appliances
- ③ Effortlessly open and close the oven with a gentle press of a button, ensuring convenience and smooth operation in the kitchen
- ④ Available in black glass finish
- ⑤ Perfectly pairs with companion products such as Vacuum Seal Drawers
- ⑥ Guided touchscreen cooking offers helpful tips for different food types
- ⑦ True temperature precision with three levels of steam with convection
- ⑧ 23 oven functions including Steam, Sous Vide, Air Fry and Crisp Regenerate
- ⑨ Help reduce food waste by rejuvenating leftovers with steam for fresh-tasting roasts, and risottos and more
- ⑩ Even heat circulation with AeroTech™, ideal for multi-shelf cooking
- ⑪ Includes a Wired Temperature Sensor for real-time monitoring of cooking temperatures
- ⑫ Voice-activated oven door provides hands-free control, compatible with Google's voice assistant via the SmarthQ™ app monitoring of cooking temperatures

ACCESSORIES

- ⑨ Large Perforated Steam Dish
- ⑩ Chromed Shelf Runners
- ⑪ Step Down Wire Shelf

The models shown in this Planning Guide may not be available in all markets and are subject to change at any time. Product specifications may vary from those shown. This Planning Guide should not be used as installation guidance for any product. Further information is required to safely and correctly install the products featured here. Specific installation guidance will be available on our website fisherpaykel.com



OS24NMTNB1



OS24NMTNB1

OVERVIEW

The cornerstone of our collection, our handleless Combination Steam Oven offers a sleek, uninterrupted aesthetic that moves beyond traditional oven doors. Perfect for true handleless kitchen designs, it provides a streamlined look and ensures a continuous flow across kitchen surfaces. With 23 functions and a sophisticated balance of full steam and steam assist options at various temperatures, this oven ensures perfect results.

PRODUCTS

OS24NMTNB1 - Black Glass
Combination Steam Oven, 24", 23 Function

SERIES & STYLE

Series 9
Minimal

ACCESSORIES

- ① Chromed Shelf Runners
- ② Broil Pan
- ③ Broil Rack
- ④ 2x Descale Solutions
- ⑤ Large Perforated Steam Dish
- ⑥ Large Steam Dish
- ⑦ Small Perforated Steam Dish
- ⑧ Wired Temperature Sensor
- ⑨ Wire shelf

FEATURES

- ① Handleless oven design ensures smooth, uninterrupted lines in kitchen cabinetry for a cohesive look
- ② Designed to complement our Minimal style kitchen appliances
- ③ Effortlessly open and close the oven with a gentle press of a button, ensuring convenience and smooth operation in the kitchen
- ④ Available in black glass finish
- ⑤ Perfectly pairs with companion products such as Vacuum Seal Drawers
- ⑥ Guided touchscreen cooking offers helpful tips for different food types
- ⑦ True temperature precision with three levels of steam with convection
- ⑧ 23 oven functions including Steam, Sous Vide, Air Fry and Crisp Regenerate
- ⑨ Help reduce food waste by rejuvenating leftovers with steam for fresh-tasting roasts, and risottos and more
- ⑩ Even heat circulation with AeroTech™, ideal for multi-shelf cooking
- ⑪ Includes a Wired Temperature Sensor for real-time monitoring of cooking temperatures
- ⑫ Voice-activated oven door provides hands-free control, compatible with Google's voice assistant via the SmartHQ™ app monitoring of cooking temperatures

The models shown in this Planning Guide may not be available in all markets and are subject to change at any time. Product specifications may vary from those shown. This Planning Guide should not be used as installation guidance for any product. Further information is required to safely and correctly install the products featured here. Specific installation guidance will be available on our website fisherpaykel.com

OVERVIEW

Experience the convenience of speed oven cooking with the versatility of a convection oven in a compact companion model. Designed to complement our Minimal style appliances, this handleless speed oven features a sleek, seamless look that moves away from traditional oven door designs. Its compact size and 1.7cu ft capacity provide convenient placement and ample space for a variety of dishes, ensuring perfect results.

PRODUCTS

OM24NMTNB1 - Black Glass
Convection Speed Oven, 24", 22 Function

SERIES & STYLE

Series 9
Minimal

ACCESSORIES

- ① Chromed Shelf Runners
- ② Glass Tray
- ③ Step Down Wire Shelf
- ④ Wire Shelf
- ⑤ Wired Temperature Sensor
- ⑥ Grill Rack

FEATURES

- ① Handleless oven design ensures smooth, uninterrupted lines in kitchen cabinetry for a cohesive look
- ② Compact 24" width means this microwave oven can be placed almost anywhere
- ③ Effortlessly open and close the oven with a gentle press of a button, ensuring convenience and smooth operation in the kitchen
- ④ Designed to complement our Minimal style kitchen appliances
- ⑤ Available in black glass finish
- ⑥ Guided touchscreen cooking offers helpful tips for different food types
- ⑦ 22 functions, including four speed oven-only, 14 traditional oven, and four combination settings
- ⑧ Convection Speed oven versatility for quick, even heating across a variety of dishes, ensuring perfect interior cooking with crisp exteriors
- ⑨ Generous 1.7cu ft capacity, with four shelf positions
- ⑩ CoolTouch door is safe to touch from the outside, protecting hands and surrounding cabinetry
- ⑪ Includes a Wired Temperature Sensor for real-time monitoring of cooking temperatures
- ⑫ Voice-activated oven door provides hands-free control, compatible with Google's voice assistant via the SmartHQ™ app monitoring of cooking temperatures



OM24NMTNB1



OM24NMTNB1

The models shown in this Planning Guide may not be available in all markets and are subject to change at any time. Product specifications may vary from those shown. This Planning Guide should not be used as installation guidance for any product. Further information is required to safely and correctly install the products featured here. Specific installation guidance will be available on our website fisherpaykel.com



EB24MSB1



EB24MSB1

OVERVIEW

The Built-in Coffee Maker features a stylish finish and can be installed in multiple configurations to suit kitchen design and preference. With 13 beverage options, our Coffee Maker is designed to consistently pour delicious coffee - from Flat White to Latte or Americano. Favourite coffee styles are memorized for a fast brew with the push of a button. A programmable timer turns the Coffee Maker on at the ideal time each day, while the conical burr grinder delivers a consistent grind for a perfect coffee.

PRODUCTS

EB24MSB1 - Black Glass
Built-in Coffee Maker, 24"

ACCESSORIES

- ① Thermal milk jug (17fl oz, 0.5L)
- ② Water filter
- ③ Coffee spoon
- ④ Extractable steam outlet
- ⑤ Descaling agent bottle

FEATURES

- ① Designed to pair perfectly with 24" ovens and companion products
- ② Available in black glass finish
- ③ Install in multiple configurations to suit your kitchen design
- ④ Intuitive touch display
- ⑤ 13 functions to suit any taste and selection - from Espresso to Latte
- ⑥ Programmable timer turns on the Coffee Maker at the ideal time each day
- ⑦ Favourite coffee types are memorized and stored in custom profiles
- ⑧ Stainless steel conical burr grinder with 13 coarseness positions
- ⑨ 15 bar pump pressure
- ⑩ Self-cleaning function and easy to empty coffee grounds container and drip tray
- ⑪ 84.5fl oz, 2.4L water tank capacity

SERIES & STYLE

Series 9
Minimal

The models shown in this Planning Guide may not be available in all markets and are subject to change at any time. Product specifications may vary from those shown. This Planning Guide should not be used as installation guidance for any product. Further information is required to safely and correctly install the products featured here. Specific installation guidance will be available on our website fisherpaykel.com



Warming Drawer WB24SMB1-SET, paired with Steam Oven OS24NMTNB1



Warming Drawer WB24SMB1-SET

OVERVIEW

Designed to complement our Minimal style ovens, these warming drawers are handle-free, and push-to-open for a coherent, considered look. Beautiful to use, with capacitive touch controls and six tailored functions for warming, proofing, dehydrating and slow cook. Pair with other companion products to create a kitchen suite for every need.

PRODUCTS

WB24SMB1-SET - Black Glass
Warming Drawer, 24", Panel Ready*

*This model comes with an accessory door panel, and is not suitable for use with a custom door panel

SERIES & STYLE

Series 9
Minimal

FEATURES

- ① Seamless pairing with our Minimal style ovens and other companion products
- ② Push-to-open drawer
- ③ Easy-to-use capacitive touch controls
- ④ Easy-to-clean, smooth-glass base
- ⑤ Room for six standard-sized place settings
- ⑥ Automatic timing, switch-off functionality
- ⑦ Interior LED lighting
- ⑧ Versatile with six tailored programmes for warming, proofing, dehydrating and slow cook

The models shown in this Planning Guide may not be available in all markets and are subject to change at any time. Product specifications may vary from those shown. This Planning Guide should not be used as installation guidance for any product. Further information is required to safely and correctly install the products featured here. Specific installation guidance will be available on our website fisherpaykel.com



Vacuum Seal Drawer VB24SMB1-SET, paired with Steam Oven OS24NMTDB1



Vacuum Seal Drawer VB24SMB1-SET

OVERVIEW

Designed to match our Minimal style appliances, the Vacuum Seal Drawer is the ideal companion for our Combination Steam Oven. Prepares food for sous vide cooking, or vacuum sealing for marinating, food storage and portioning and resealing. Beautiful to use, with capacitive touch controls, these drawers deliver the performance to achieve perfect results.

PRODUCTS

VB24SMB1-SET - Black Glass
Vacuum Seal Drawer, 24", Panel Ready*

*This model comes with an accessory door panel, and is not suitable for use with a custom door panel

SERIES & STYLE

Series 9
Minimal

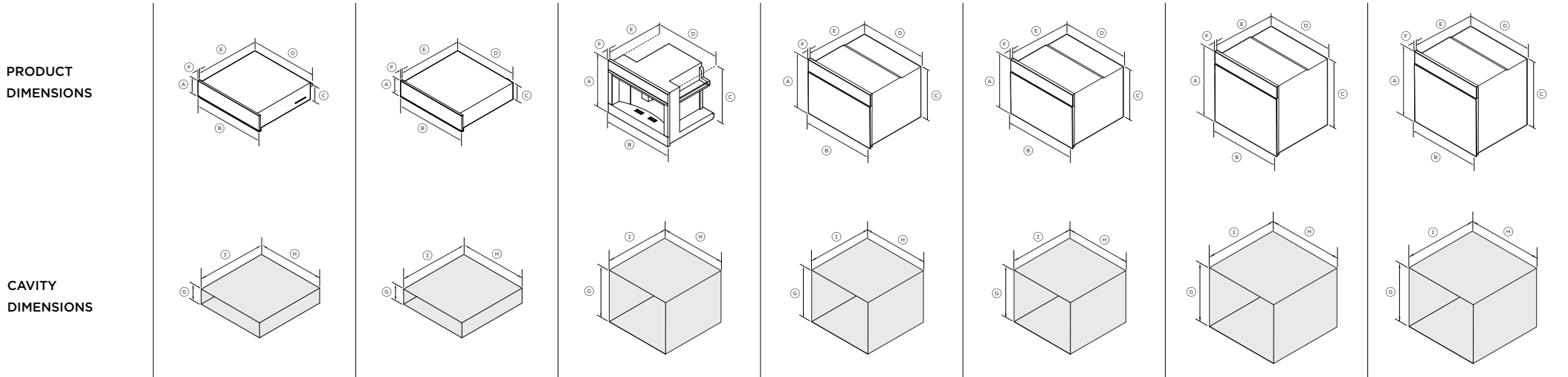
FEATURES

- ① Seamless pairing with our Minimal style ovens and other companion products
- ② Push-to-open drawer
- ③ Three levels of vacuum and heat sealing
- ④ Easy-to-clean base
- ⑤ Easy-to-use capacitive touch controls
- ⑥ Vacuum sealing for easy food portioning, marinating, storage and extended shelf life, or re-sealing
- ⑦ Effortless preparation for sous vide cooking
- ⑧ Maintenance and moisture indicator

ACCESSORIES

- ① External vacuuming accessory kit
- ② Large BPA-free vacuum seal bags (50 bags, part 793034)
- ③ Small BPA-free vacuum seal bags (50 bags, part 793033)

The models shown in this Planning Guide may not be available in all markets and are subject to change at any time. Product specifications may vary from those shown. This Planning Guide should not be used as installation guidance for any product. Further information is required to safely and correctly install the products featured here. Specific installation guidance will be available on our website fisherpaykel.com

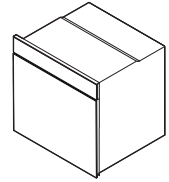
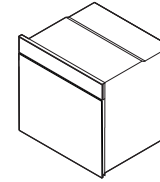
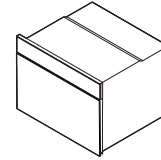
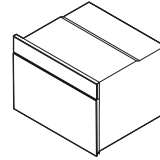
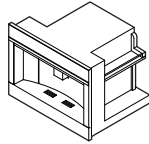
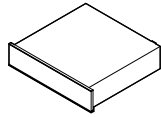
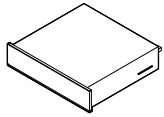


	VACUUM SEAL DRAWER VB24SMB1-SET	WARMING DRAWER WB24SMB1-SET	BUILT-IN COFFEE MAKER EB24MSB1	CONVECTION SPEED OVEN OM24NMTNB1	COMBINATION STEAM OVEN OS24NMTNB1	COMBINATION STEAM OVEN OS24SMTNB1	OVEN OB24SMPTNB1
PRODUCT DIMENSIONS							
Ⓐ Overall height	5 1/2" (140mm)	5 1/2" (140mm)	18" (458mm)	18" (458mm)	18" (458mm)	23 9/16" (598mm)	23 9/16" (598mm)
Ⓑ Overall width	23 7/16" (596mm)	23 7/16" (596mm)	23 7/16" (596mm)	23 7/16" (596mm)	23 7/16" (596mm)	23 7/16" (596mm)	23 7/16" (596mm)
Ⓒ Chassis height	5 1/2" (140mm)	5 1/2" (140mm)	17 1/2" (445mm)	17 1/8" (435mm)	17 1/8" (435mm)	22 5/8" (575mm)	22 5/8" (575mm)
Ⓓ Chassis width	21 7/8" (556mm)**	21 3/8" (543mm)	22 1/16" (560mm)	21 7/8" (556mm)	21 7/8" (556mm)	21 7/8" (556mm)	21 7/8" (556mm)
Ⓔ Chassis depth	21 7/16" (545mm)	21 9/17" (547mm)	18 1/8" (460mm)	21 7/16" (545mm)	21 7/16" (545mm)	21 7/16" (545mm)	21 7/16" (545mm)
Ⓕ Front panel thickness	13/16" (20mm)	13/16" (20mm)	13/16" (20mm)	13/16" (20mm)*	13/16" (20mm)	13/16" (20mm)	13/16" (20mm)
Depth of oven door fully open	-	-	-	12 5/8" (320mm)*	12 5/8" (320mm)*	18 1/8" (460mm)*	18 1/8" (460mm)*
*Measured from front of control panel							
**Includes side brackets							
CAVITY DIMENSIONS							
Ⓖ Minimum inside height of cavity	5 9/16" (142mm)**	5 9/16" (142mm)**	17 3/4" (450mm)	17 5/16" (440mm)	17 5/16" (440mm)	22 13/16" (580mm)	22 13/16" (580mm)
Ⓗ Minimum inside width of cavity	22 1/16" (560mm)	22 1/16" (560mm)	22 1/16" (560mm)	22 1/16" (560mm)	22 1/16" (560mm)	22 1/16" (560mm)	22 1/16" (560mm)
Ⓘ Minimum inside depth of cavity	21 5/8" (550mm)	21 5/8" (550mm)	21 7/16" (545mm)*	21 5/8" (550mm)*	21 5/8" (550mm)	21 5/8" (550mm)	21 5/8" (550mm)
Recommended cabinet width	23 5/8" (600mm)	23 5/8" (600mm)	23 5/8" (600mm)	23 5/8" (600mm)	23 5/8" (600mm)	23 5/8" (600mm)	23 5/8" (600mm)

*Requires ventilation at the rear of the cavity

**Standalone installation measurement can be installed with appliance on top. Drawers can fully support 24" Fisher & Paykel wall oven, without adding shelf in between

The models shown in this Planning Guide may not be available in all markets and are subject to change at any time. Product specifications may vary from those shown. This Planning Guide should not be used as installation guidance for any product. Further information is required to safely and correctly install the products featured here. Specific installation guidance will be available on our website fisherpaykel.com



	VACUUM SEAL DRAWER VB24SMB1-SET	WARMING DRAWER WB24SMB1-SET	BUILT-IN COFFEE MAKER EB24MSB1	CONVECTION SPEED OVEN OM24NMTNB1	COMBINATION STEAM OVEN OS24NMTNB1	COMBINATION STEAM OVEN OS24SMTNB1	OVEN OB24SMPTNB1
POWER REQUIREMENTS							
Supply	120 V, 60 Hz	120 V, 60 Hz	120 V, 60 Hz	208 or 240 V, 60 Hz	208 or 240 V, 60 Hz	208 or 240 V, 60 Hz	208 or 240 V, 60 Hz
Service	10 A	10 A	10 A	20 A	20 A	20 A	20 A
Connection	Flex cord 70 7/8" (1800mm)	Flex cord 70 7/8" (1800mm)	Flex cord 66 15/16" (1700mm)	Hard wired 59 1/16" (1500mm)	Hard wired 78 3/4"(2000mm)	Hard wired 78 3/4"(2000mm)	Hard wired 78 3/4"(2000mm)
WEIGHT							
Packaged	84lb (42kg)	49lb (22kg)	86lb (39kg)	101lb (46kg)	155lb (52kg)	143lb (65kg)	97lb (44kg)
Unpackaged	77lb (35kg)	40lb (18kg)	64lb (29kg)	90lb (41kg)	86lb (39kg)	101lb (46kg)	84lb (38kg)
CAPACITY							
Total oven	-	-	-	1.7cu ft (49L)	1.94cu ft (55L)	3cu ft (85L)	3cu ft (85L)
Total water tank	-	-	47 fl oz (1.4L)	-	47 fl oz (1.4L)	84.5 fl oz (2.4L)	-

SERVICES

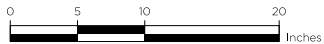
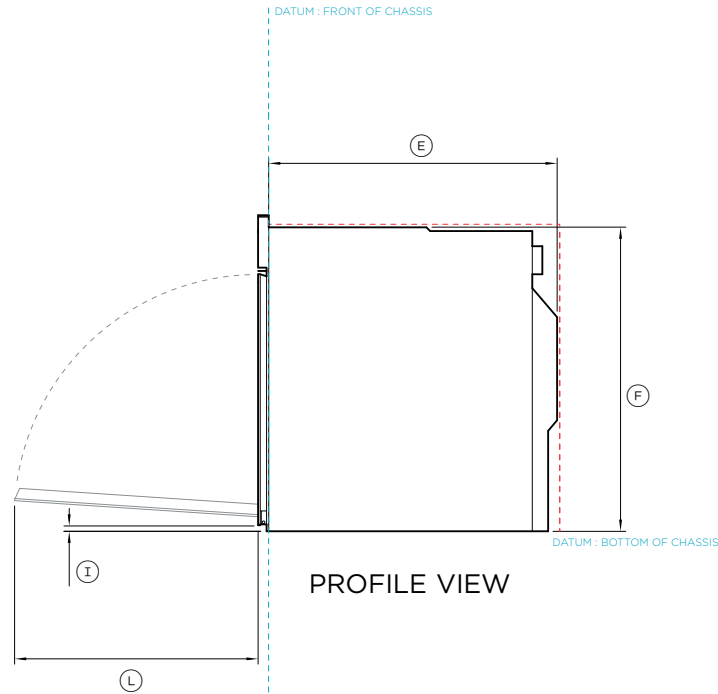
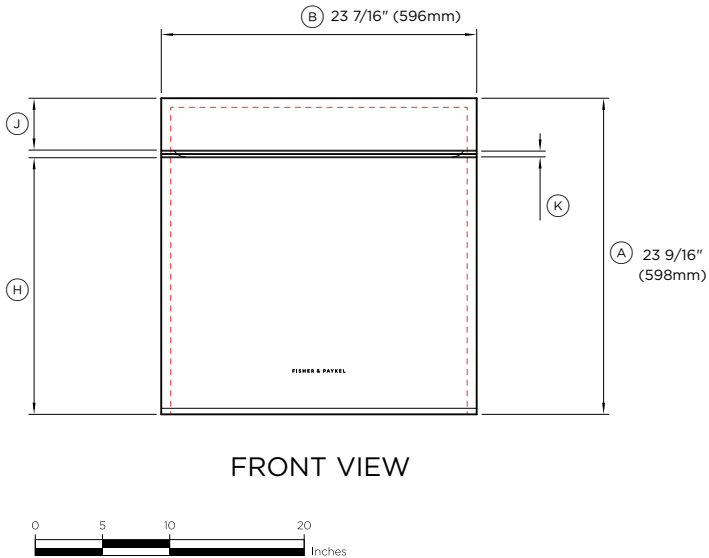
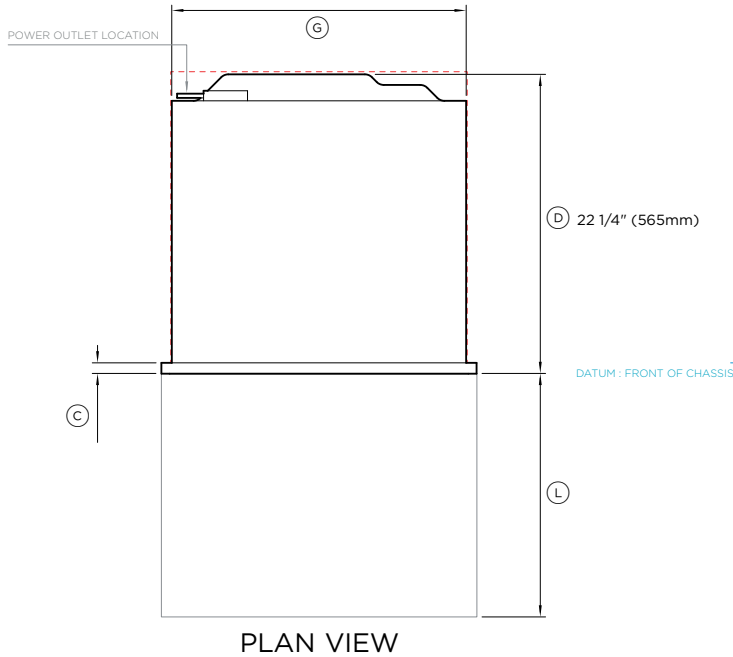
For more information on cord length, water supply and electrical requirements, refer to the 'Services' section of this Planning Guide.

WATER

All Coffee Makers and Steam Ovens have internal water tanks which need to be filled manually. No external water supply is required.

The models shown in this Planning Guide may not be available in all markets and are subject to change at any time. Product specifications may vary from those shown. This Planning Guide should not be used as installation guidance for any product. Further information is required to safely and correctly install the products featured here. Specific installation guidance will be available on our website fisherpaykel.com

DATA SHEETS



Model no:

Oven, 24" - OB24SMPTNB1

Product Dimensions

	inch	mm
(A) Overall height of product	23 9/16	598
(B) Overall width of product	23 7/16	596
(C) Depth of control panel	13/16	20
(D) Depth of chassis and control panel	22 1/4	565
(E) Depth of chassis	21 7/16	545
(F) Height of chassis	22 5/8	575
(G) Width of chassis	21 7/8	556
(H) Height from bottom datum to top of oven door	19 3/16	487
(I) Height from bottom datum to bottom of door	1/2	12
(J) Height of control panel	3 15/16	100
(K) Gap between door and control panel	7/16	11
(L) Depth of door when open (measured from front of door)	18 1/8	460

Minimum Clearances - Flush Installation

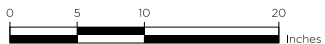
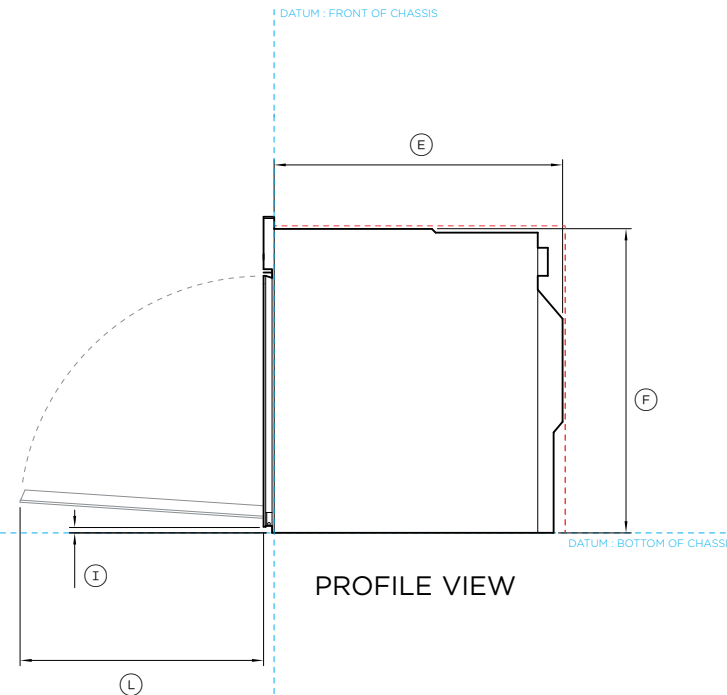
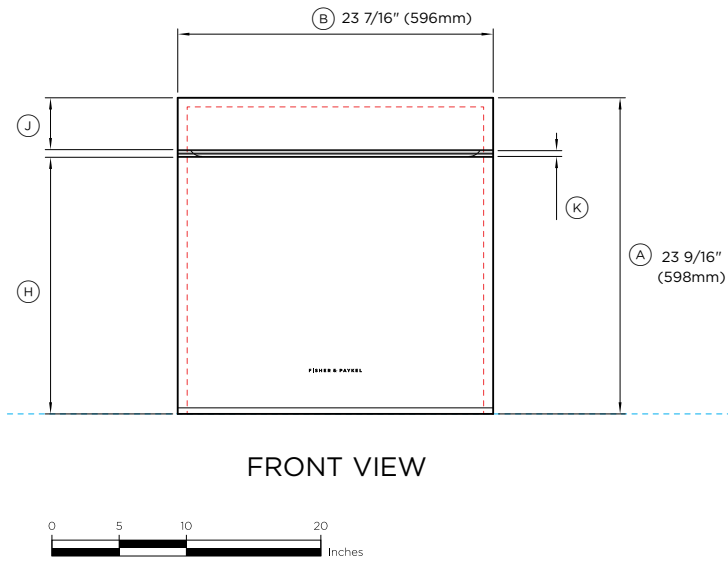
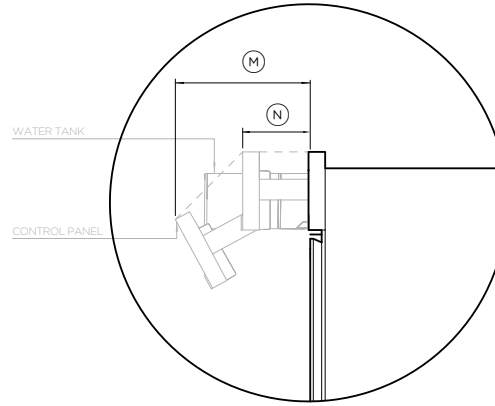
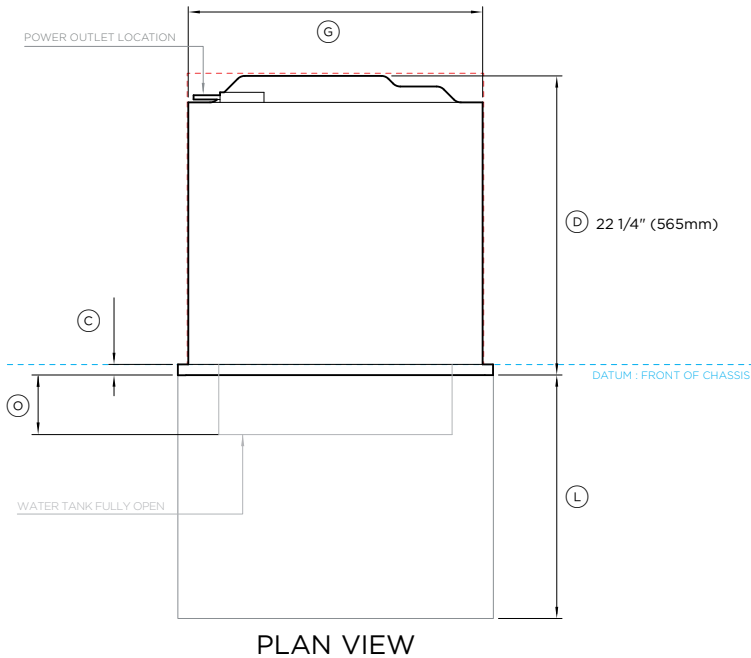
	inch	mm
Minimum inside height of cavity	22 13/16	580
Minimum inside width of cavity	22 1/16	560
Minimum inside depth of cavity	21 5/8	550
Minimum clearances above oven control panel to upper cabinetry front panel or appliance	1/16	2
Minimum clearances between bottom of oven chassis to lower cabinetry front panel or appliance	1/16	2

Ensure a 3/16" (5mm) minimum clearance is maintained between the top of the oven chassis and the cabinetry. Ensure the oven is not bearing any weight from cabinetry or products installed above.

IMPORTANT NOTE: For full installation and clearance details please refer to our installation manual.

INDICATES PRODUCT DATUM -----
INDICATES CABINETRY CLEARANCES -----

IMPORTANT NOTE: Throughout this guide, dimensions may vary by ±2mm (1/16"). Please read the Installation Guide for detailed information on installing the product. For full installation instructions visit fisherpaykel.com



Model no:
Combination Steam Oven, 24" - OS24SMTNB1

Product Dimensions	inch	mm
A Overall height of product	23 9/16	598
B Overall width of product	23 7/16	596
C Depth of control panel	13/16	20
D Depth of chassis and control panel	22 1/4	565
E Depth of chassis	21 7/16	545
F Height of chassis	22 5/8	575
G Width of chassis	21 7/8	556
H Height from bottom datum to top of oven door	19 3/16	487
I Height from bottom datum to bottom of door	1/2	12
J Height of control panel	3 15/16	100
K Gap between door and control panel	7/16	11
L Depth of door when open (measured from front of door)	18 1/8	460
M Control panel fully open (measured from front of door)	6 11/16	170
N Control panel half open (measured from front of door)	3 5/16	84
O Water tank carriage fully open (measured from front of door)	5 1/4	133

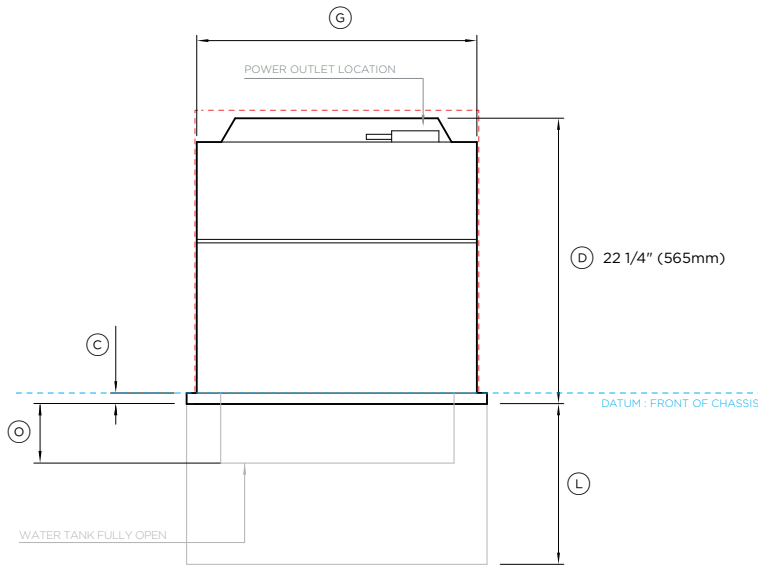
Minimum Clearances - Flush Installation	inch	mm
Minimum inside height of cavity	22 13/16	580
Minimum inside width of cavity	22 1/16	560
Minimum inside depth of cavity	21 5/8	550
Minimum clearances above oven control panel to upper cabinetry front panel or appliance	1/16	2
Minimum clearances between bottom of oven chassis to lower cabinetry front panel or appliance	1/16	2

Ensure a 3/16" (5mm) minimum clearance is maintained between the top of the oven chassis and the cabinetry. Ensure the oven is not bearing any weight from cabinetry or products installed above.

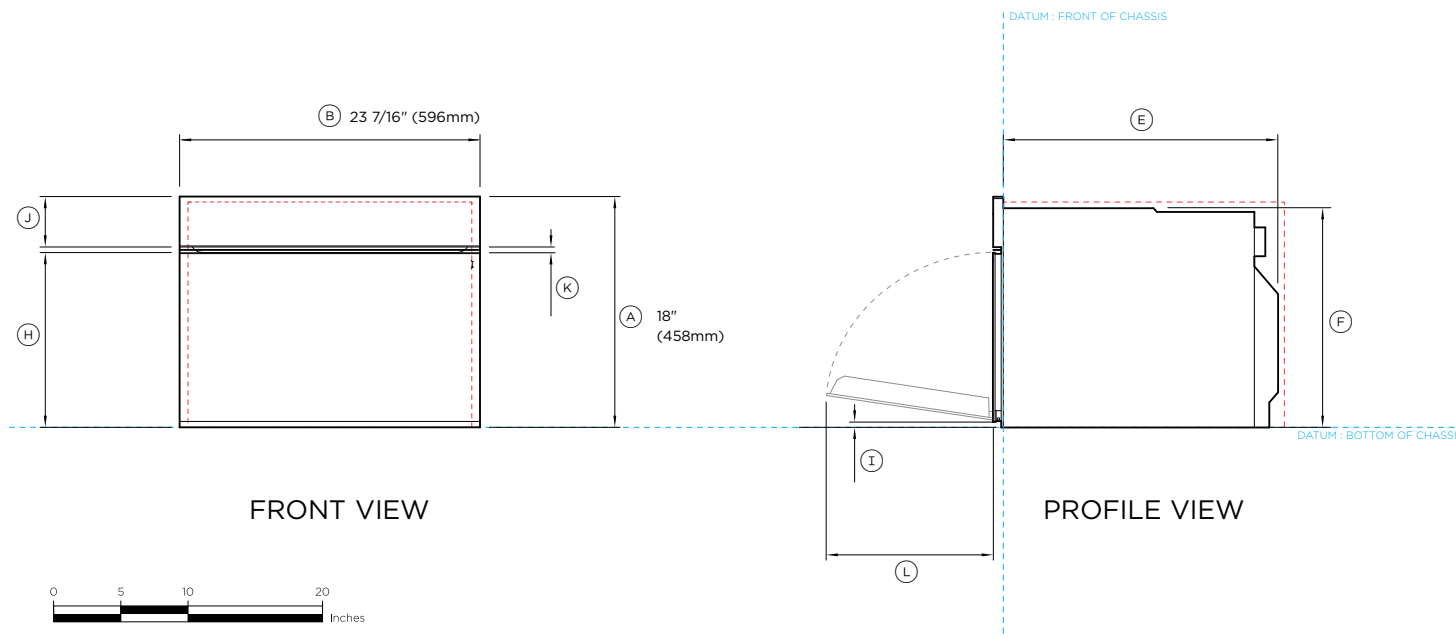
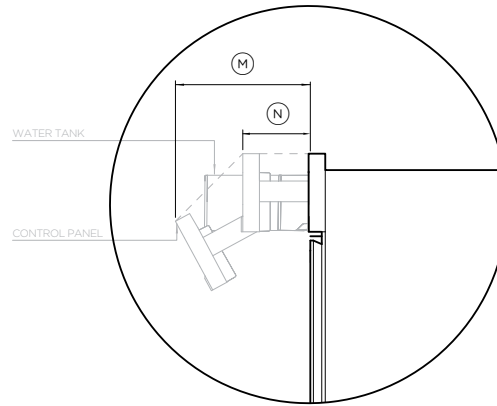
IMPORTANT NOTE: For full installation and clearance details please refer to our installation manual.

INDICATES PRODUCT DATUM -----
INDICATES CABINETRY CLEARANCES - - - - -

IMPORTANT NOTE: Throughout this guide, dimensions may vary by ±2mm (1/16"). Please read the Installation Guide for detailed information on installing the product. For full installation instructions visit fisherpaykel.com



PLAN VIEW



FRONT VIEW

PROFILE VIEW

Model no:

Combination Steam Oven, 24" - OS24NMTNB1

Product Dimensions

	inch	mm
A Overall height of product	18	458
B Overall width of product	23 7/16	596
C Depth of control panel	13/16	20
D Depth of chassis and control panel	22 1/4	565
E Depth of chassis	21 7/16	545
F Height of chassis	17 1/8	435
G Width of chassis	21 7/8	556
H Height from bottom datum to top of oven door	13 11/17	347
I Height from bottom datum to bottom of door	1/2	12
J Height of control panel	3 15/16	100
K Gap between door and control panel	7/16	11
L Depth of door when open (measured from front of door)	12 5/8	320
M Control panel fully open (measured from front of door)	6 11/16	170
N Control panel half open (measured from front of door)	3 5/16	84
O Water tank carriage fully open (measured from front of door)	5 1/4	133

Minimum Clearances - Flush Installation

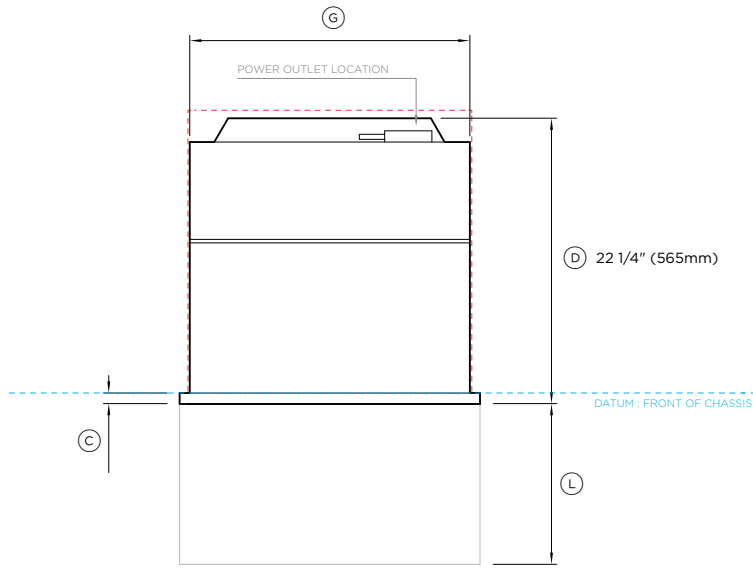
	inch	mm
Minimum inside height of cavity	17 5/16	440
Minimum inside width of cavity	22 1/16	560
Minimum inside depth of cavity	21 5/8	550
Minimum clearances above oven control panel to upper cabinetry front panel or appliance	1/16	2
Minimum clearances between bottom of oven chassis to lower cabinetry front panel or appliance	1/16	2

Ensure a 3/16" (5mm) minimum clearance is maintained between the top of the oven chassis and the cabinetry. Ensure the oven is not bearing any weight from cabinetry or products installed above.

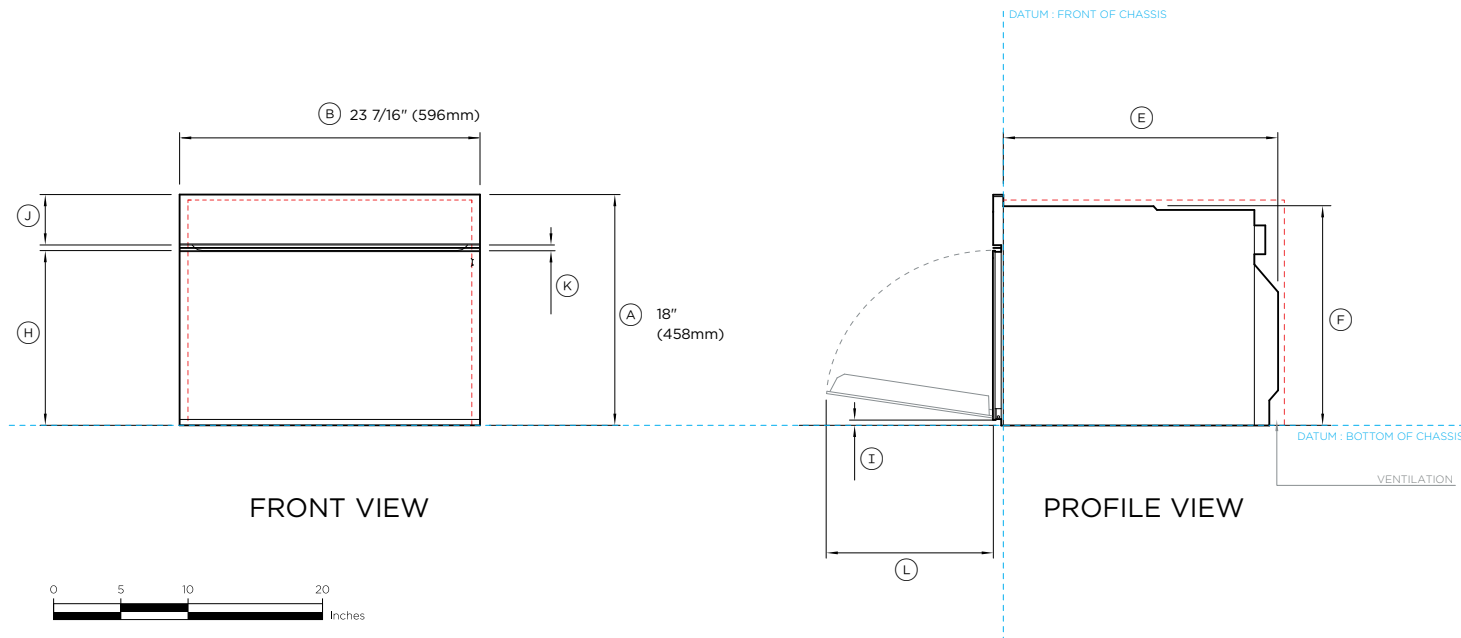
IMPORTANT NOTE: For full installation and clearance details please refer to our installation manual.

INDICATES PRODUCT DATUM -----
 INDICATES CABINETRY CLEARANCES - - - - -

IMPORTANT NOTE: Throughout this guide, dimensions may vary by ±2mm (1/16"). Please read the Installation Guide for detailed information on installing the product. For full installation instructions visit fisherpaykel.com



PLAN VIEW



FRONT VIEW

PROFILE VIEW

Model no:

Convection Speed Oven, 24" - OM24NMTNB1

Product Dimensions

	inch	mm
A Overall height of product	18	458
B Overall width of product	23 7/16	596
C Depth of control panel	13/16	20
D Depth of chassis and control panel	22 1/4	565
E Depth of chassis	21 7/16	545
F Height of chassis	17 1/8	435
G Width of chassis	21 7/8	556
H Height from bottom datum to top of oven door	13 11/17	347
I Height from bottom datum to bottom of door	1/2	12
J Height of control panel	3 11/16	100
K Gap between door and control panel	7/16	11
L Depth of door when open (measured from front of door)	12 5/8	320

Minimum Clearances - Flush Installation

	inch	mm
Minimum inside height of cavity	17 5/16	440
Minimum inside width of cavity	22 1/16	560
Minimum inside depth of cavity	21 5/8	550
Rear ventilation air vent depth*	2	50
Rear ventilation air vent width*	22 1/16	560
Minimum clearances above oven control panel to upper cabinetry front panel or appliance	1/16	2
Minimum clearances between bottom of oven chassis to lower cabinetry front panel or appliance	1/16	2

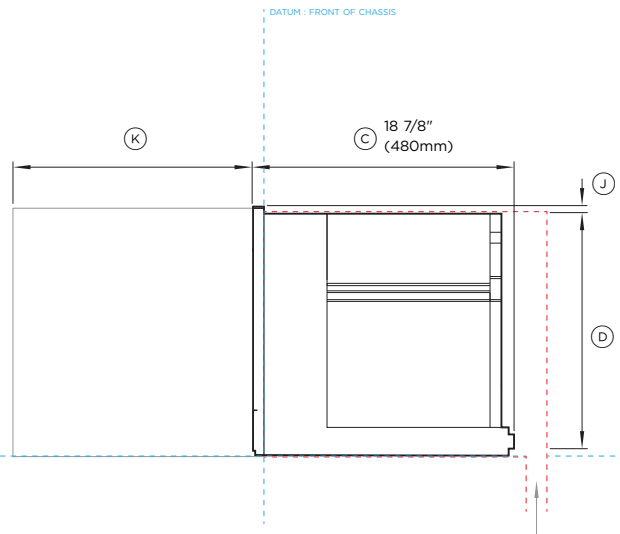
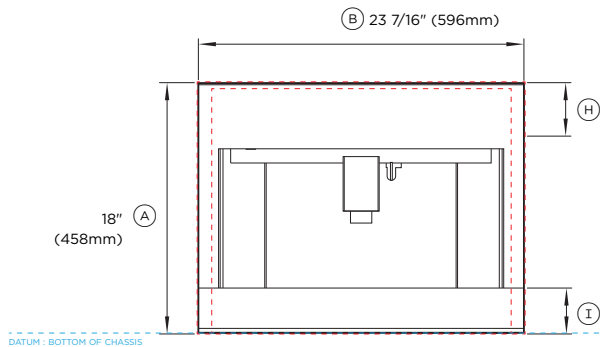
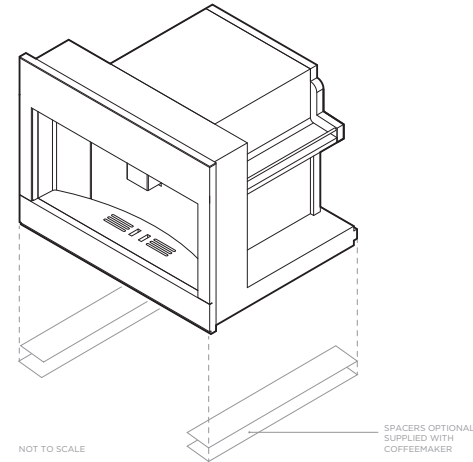
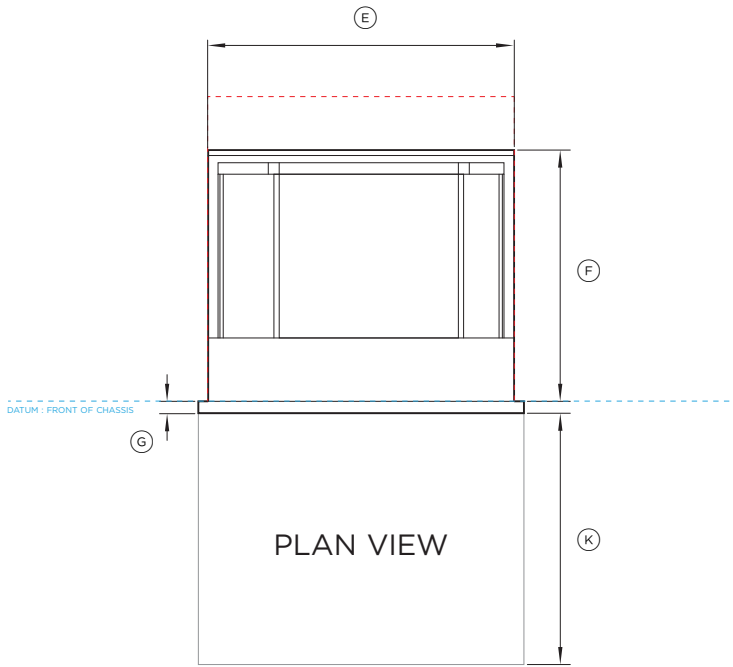
*A rear ventilation air vent totalling 43.4in² (280cm²) is required. The air vent must be located at the rear of the cabinet, it can be positioned at the base, sides, back or top of the cavity.

Ensure a 3/16" (5mm) minimum clearance is maintained between the top of the oven chassis and the cabinetry. Ensure the oven is not bearing any weight from cabinetry or products installed above.

IMPORTANT NOTE: For full installation and clearance details please refer to our installation manual.

INDICATES PRODUCT DATUM -----
 INDICATES CABINETRY CLEARANCES - - - - -

IMPORTANT NOTE: Throughout this guide, dimensions may vary by ±2mm (1/16"). Please read the Installation Guide for detailed information on installing the product. For full installation instructions visit fisherpaykel.com



FRONT VIEW

PROFILE VIEW



Model no:
Built-in Coffee Maker, 24" - EB24MSB1

Product Dimensions			inch	mm
Ⓐ	Overall height of product	18	458	
Ⓑ	Overall width of product	23 7/16	596	
Ⓒ	Overall depth of product (excludes front metal trim)	18 7/8	480	
Ⓓ	Height of chassis	17 1/2	445	
Ⓔ	Width of chassis	22 1/16	560	
Ⓕ	Depth of chassis	18 1/8	460	
Ⓖ	Depth of coffee maker front frame and control panel (excludes front metal trim)	13/16	20	
Ⓜ	Height of control panel	3 15/16	100	
Ⓣ	Height of horizontal lower section from bottom datum	3 1/4	83	
Ⓝ	Stepdown from control panel to chassis	1/2	13	
Ⓧ	Extent coffee maker pulls out	17 1/8	435	

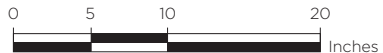
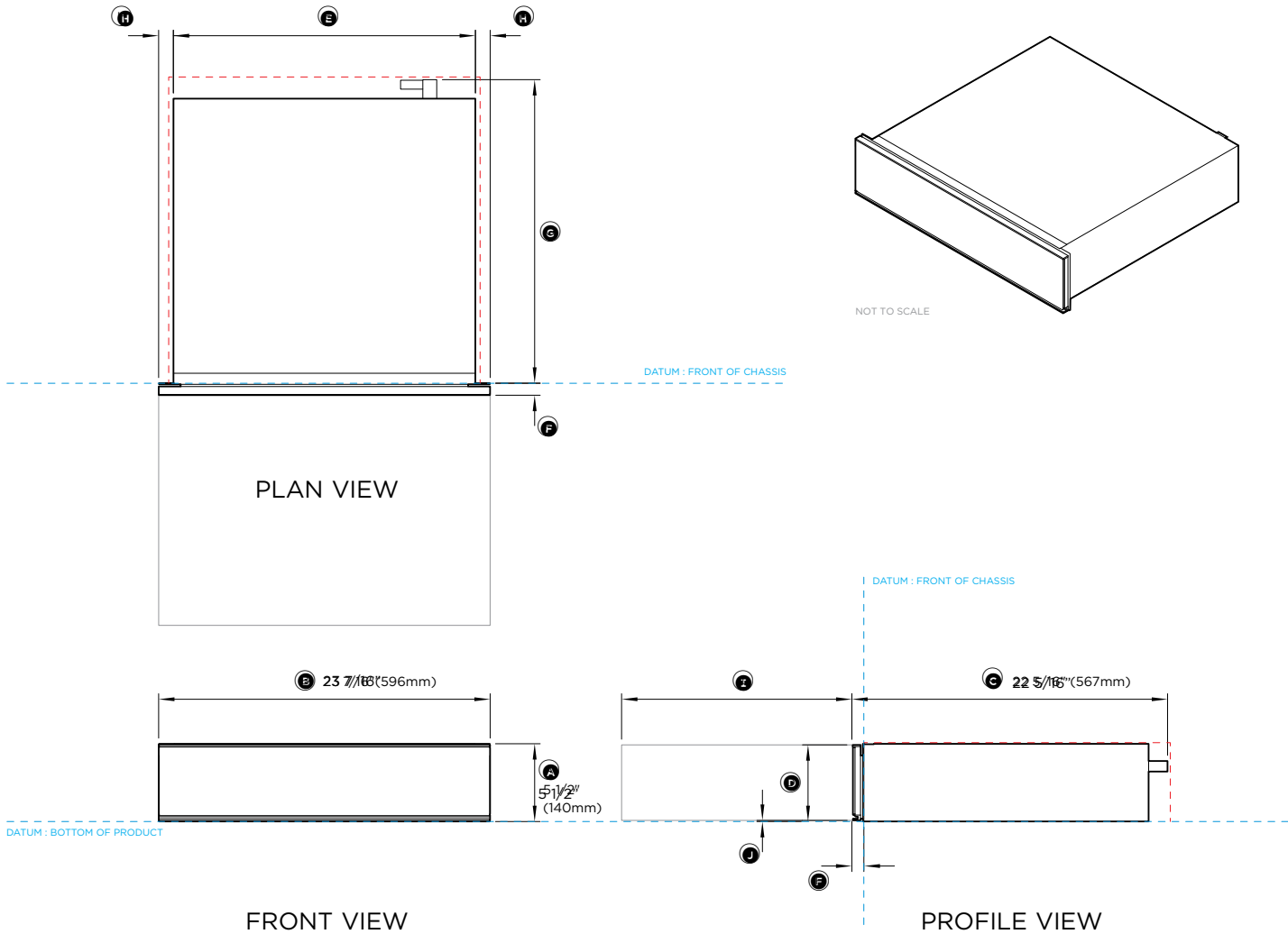
Minimum Clearances - Flush Installation			inch	mm
Minimum inside height of cavity		17 3/4	450	
Minimum inside width of cavity		22 1/16	560	
Minimum inside depth of cavity from front datum		21 7/16	545	
Overall height of cabinetry		18 1/8	460	
Overall width of cabinetry		23 5/8	600	
Rear ventilation air vent depth*		2	50	
Rear ventilation air vent width*		22 1/16	560	
Minimum clearances above built-in coffee maker control panel to upper cabinetry front panel or appliance		1/16	2	
Minimum clearances between bottom of built-in coffee maker rails to lower cabinetry front panel or appliance		1/16	2	

*A rear ventilation air vent totalling 43.4in² (280cm²) is required. The air vent must be located at the rear of the cabinet, it can be positioned at the base, sides, back or top of the cavity.

IMPORTANT NOTE: For full installation and clearance details please refer to our installation manual.

INDICATES PRODUCT DATUM -----
INDICATES CABINETRY CLEARANCES - - - - -

IMPORTANT NOTE: Throughout this guide, dimensions may vary by ±2mm (1/16"). Please read the Installation Guide for detailed information on installing the product. For full installation instructions visit fisherpaykel.com



Model no:

Warming Drawer, 24" - WB24SMB1-SET

Product Dimensions

	inch	mm
A Overall height of product	5 1/2	140
B Overall width of product	23 7/16	596
C Overall depth of product (incl. front panel & power plug, excludes stainless cap)	22 5/16	567
D Height of drawer front panel	5 3/8	136
E Width of chassis	21 3/8	543
F Depth of drawer front panel and flange (excludes stainless cap)	13/16	20
G Depth of chassis (includes power plug, excludes flange)	21 17/32	547
H Distance from side of chassis to side of drawer front	1 13/32	36
I Depth of open drawer (measured from front of drawer panel)	16 5/16	414
J Height from bottom of chassis to bottom of front panel	1/16	2

Minimum Clearances - Flush Installation

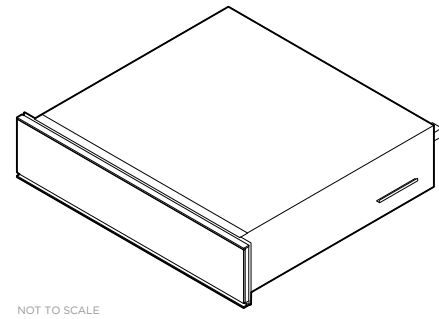
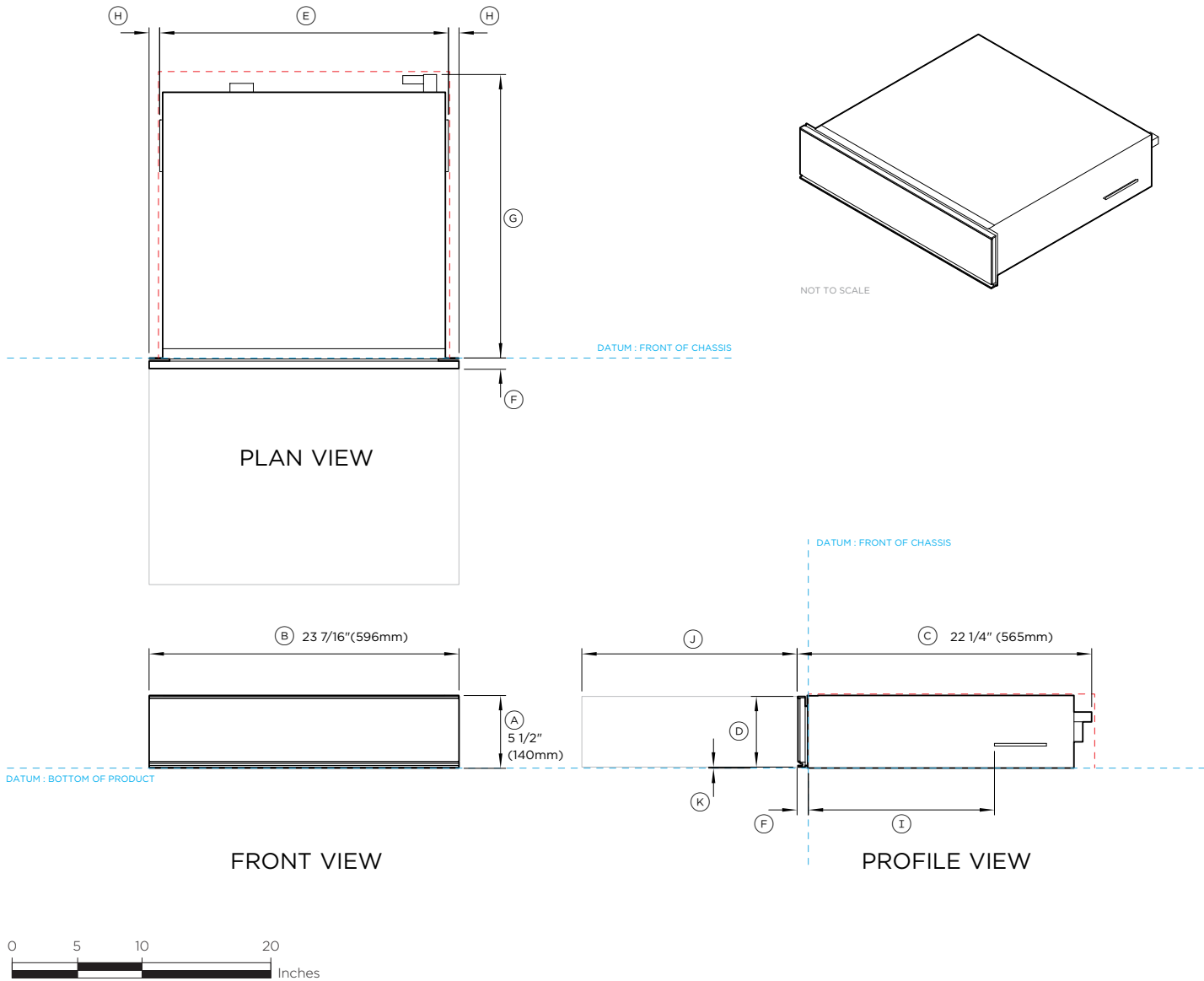
	inch	mm
Minimum inside height of cavity	5 9/16	142
Minimum inside width of cavity	22 1/16	560
Minimum inside depth of cavity	21 5/8	550
Overall width of cabinetry	23 5/8	600
Minimum clearances above drawer front panel to upper cabinetry front panel or appliance*	5/32	4
Minimum clearances between bottom of drawer chassis to lower cabinetry front panel or appliance	1/16	2

*Achieve a smaller gap between drawer front panel to upper cabinetry front panel by dropping cabinetry front panel down

IMPORTANT NOTE: For full installation and clearance details please refer to our installation manual.

INDICATES PRODUCT DATUM -----
 INDICATES CABINERY CLEARANCES - - - - -

IMPORTANT NOTE: Throughout this guide, dimensions may vary by ±2mm (1/16"). Please read the Installation Guide for detailed information on installing the product. For full installation instructions visit fisherpaykel.com



Model no:

Vacuum Seal Drawer - VB24SMB1-SET

Product Dimensions

	inch	mm
(A) Overall height of product	5 1/2	140
(B) Overall width of product	23 7/16	596
(C) Overall depth (incl. front panel & power plug)	22 1/4	565
(D) Height of drawer front panel	5 3/8	136
(E) Width of chassis (includes side brackets)	21 7/8	556
(F) Depth of drawer front panel and flange	13/16	20
(G) Depth of chassis (includes power plug, excludes flange)	21 7/16	545
(H) Distance from side of chassis to side of drawer front	13/16	20
(I) Distance between flange and side bracket	14 1/16	358
(J) Depth of open drawer (measured from front of drawer panel)	16 5/16	414
(K) Height from bottom of chassis to bottom of front panel	1/16	2

Minimum Clearances - Flush Installation

	inch	mm
Minimum inside height of cavity	5 9/16	142
Minimum inside width of cavity	22 1/16	560
Minimum inside depth of cavity	21 5/8	550
Overall width of cabinetry	23 5/8	600
Minimum clearances above drawer front panel to upper cabinetry front panel or appliance*	5/32	4
Minimum clearances between bottom of drawer chassis to lower cabinetry front panel or appliance	1/16	2

*Achieve a smaller gap between drawer front panel to upper cabinetry front panel by dropping cabinetry front panel down

IMPORTANT NOTE: For full installation and clearance details please refer to our installation manual.

INDICATES PRODUCT DATUM -----
 INDICATES CABINERY CLEARANCES - - - - -

IMPORTANT NOTE: Throughout this guide, dimensions may vary by ±2mm (1/16"). Please read the Installation Guide for detailed information on installing the product. For full installation instructions visit fisherpaykel.com

PLANNING CONSIDERATIONS

DIVIDING SHELF

If the appliance front panel is thicker than the cabinetry front panel, adjust the dividing shelf depth to ensure the oven sits flush with the front of the cabinetry.

BLACK CLASHING

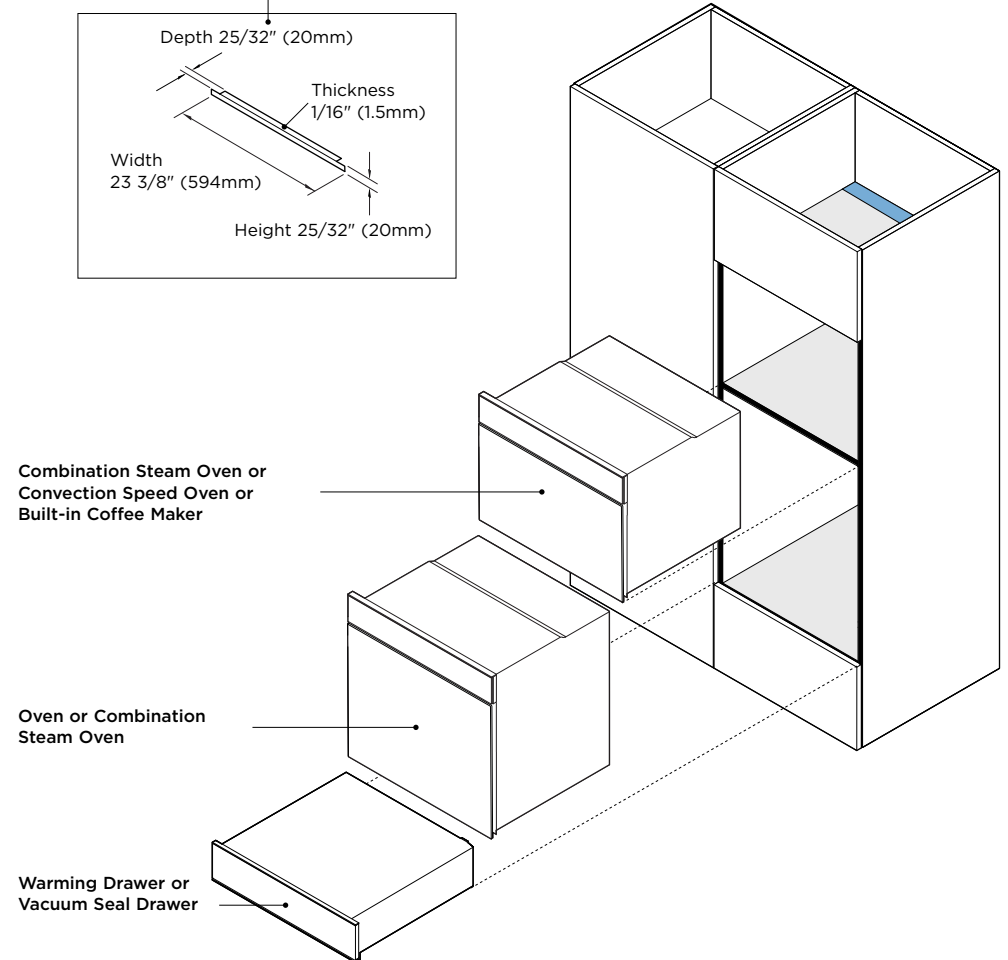
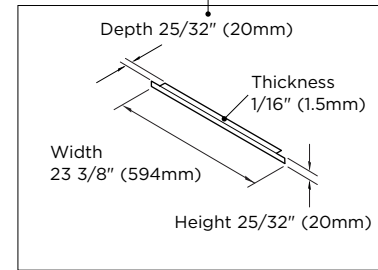
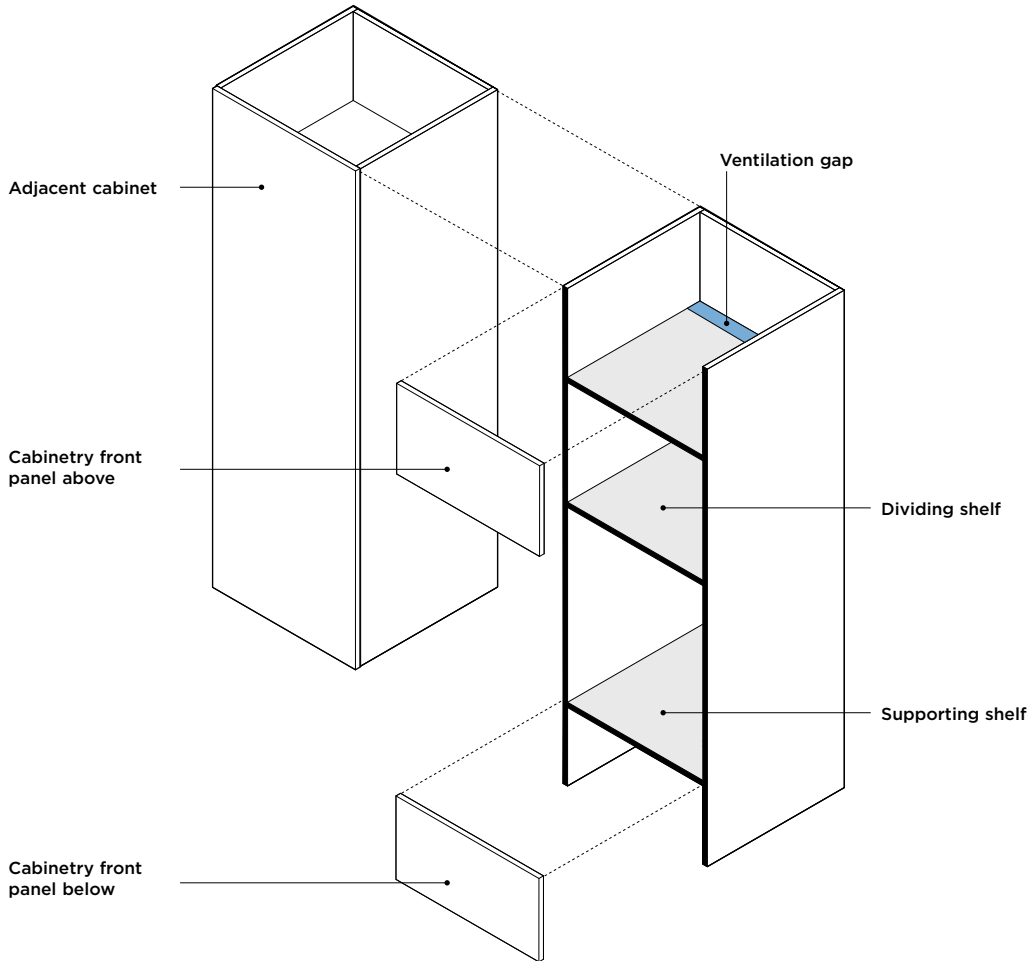
Black clashing is recommended on front facing edges where products are located and on side cabinets if cabinet is rebated.

OVEN CABINETRY TRIM

If using light-colored cabinets, we recommend using black cabinetry trim to help hide the cabinetry beneath the front door panel of the appliance. Ensure the trim height does not interfere with any appliances or cabinetry below. Black cabinetry trim is included with ovens.

LEVEL CABINETRY

Check the shelves are level and the side panels are straight.



The models shown in this Planning Guide may not be available in all markets and are subject to change at any time. Product specifications may vary from those shown. This Planning Guide should not be used as installation guidance for any product. Further information is required to safely and correctly install the products featured here. Specific installation guidance will be available on our website fisherpaykel.com

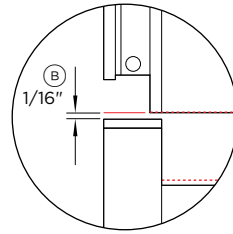
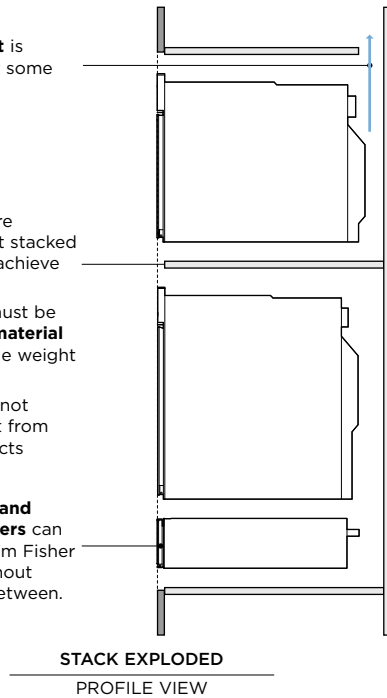
Ventilation air vent is required at rear for some products.

Dividing shelves are required to support stacked appliances and to achieve correct clearance.

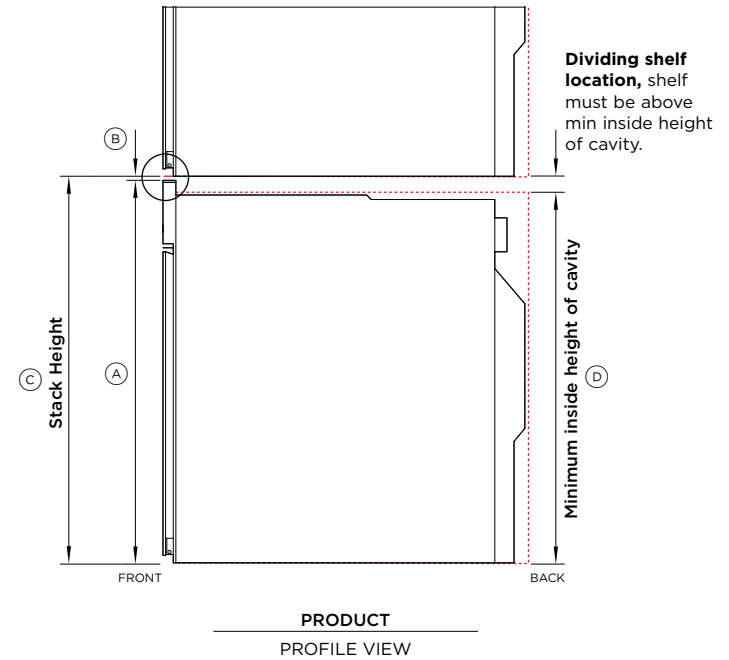
Dividing shelves must be constructed from material that will support the weight of the appliances.

Ensure the oven is not bearing any weight from cabinetry or products installed above.

Warming Drawers and Vacuum Seal Drawers can fully support a 60cm Fisher & Paykel oven, without adding a shelf in between.



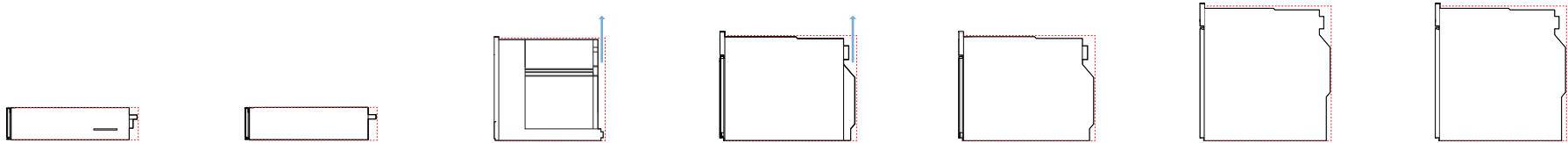
Minimum clearances above appliance control panel to upper appliance



STACK HEIGHT

(A) Overall product height
+
(B) Minimum clearances above appliance control panel or front panel to upper appliance
=
(C) Stacked Height

MINIMUM DIMENSION CLEARANCES



	VACUUM SEAL DRAWER VB24SMB1-SET	WARMING DRAWER WB24SMB1-SET	BUILT-IN COFFEE MAKER EB24MSB1	CONVECTION SPEED OVEN OM24NMTNB1	COMBINATION STEAM OVEN OS24NMTNB1	COMBINATION STEAM OVEN OS24SMTNB1	OVEN OB24SMPTNB1
DIMENSIONS							
(A) Overall product height	5 1/2" (140mm)	5 1/2" (140mm)	18" (458mm)***	18" (458mm)	18" (458mm)	23 9/16" (598mm)	23 9/16" (598mm)
(B) Minimum clearance above	-	-	1/16" (2mm)	1/16" (2mm)	1/16" (2mm)	1/16" (2mm)	1/16" (2mm)
(C) Stack height	5 1/2" (140mm)**	5 1/2" (140mm)**	18 1/8" (460mm)*	18 1/8" (460mm)*	18 1/8" (460mm)*	23 5/8" (600mm)*	23 5/8" (600mm)*
(D) Minimum inside height of cavity	5 1/2" (140mm)	5 1/2" (140mm)	17 3/4" (450mm)	17 5/16" (440mm)	17 5/16" (440mm)	22 13/16" (580mm)	22 13/16" (580mm)

*Stack Height is overall product height with minimum clearances above appliance control panel or front panel to upper appliance

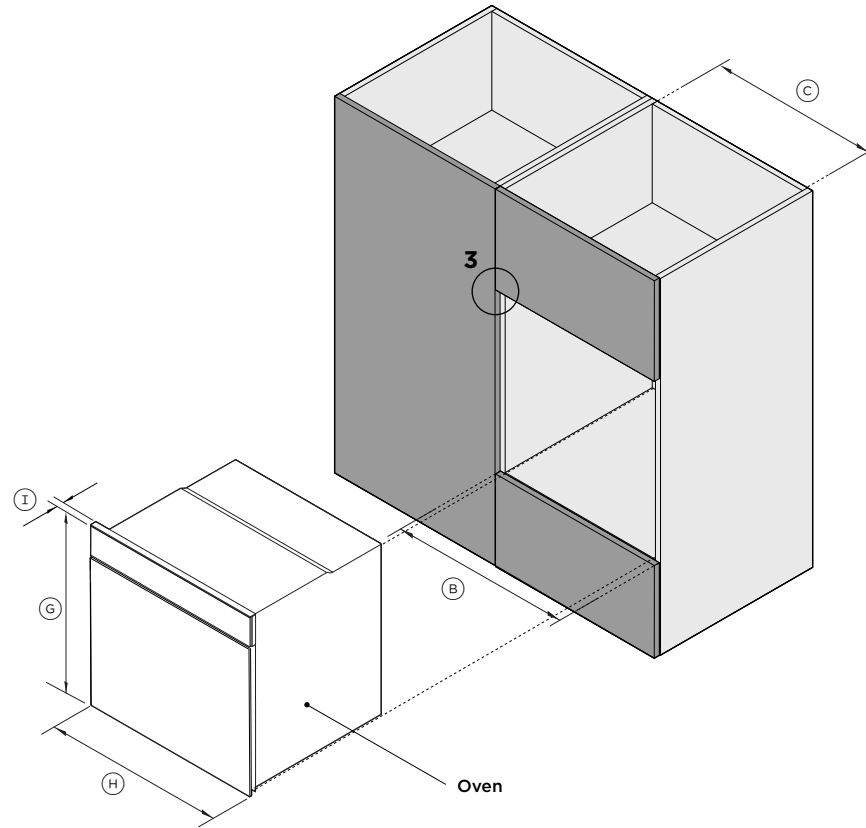
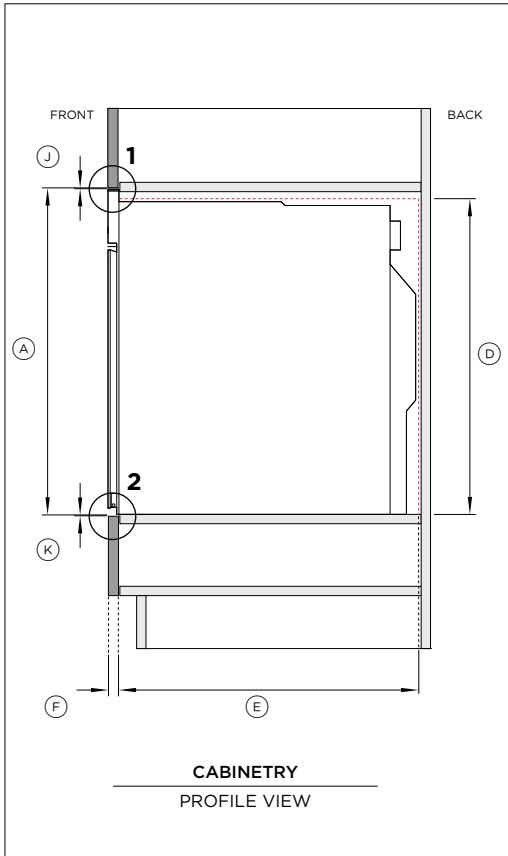
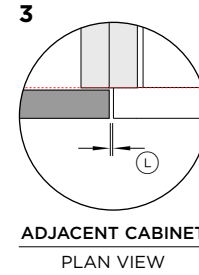
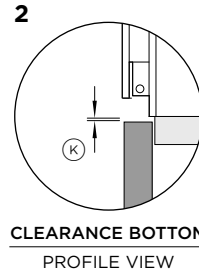
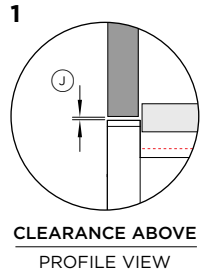
**Warming Drawers and Vacuum Seal Drawers can fully support a 24" Fisher & Paykel oven, without adding a shelf in between.

***Includes coffee maker rail height

The models shown in this Planning Guide may not be available in all markets and are subject to change at any time. Product specifications may vary from those shown. This Planning Guide should not be used as installation guidance for any product. Further information is required to safely and correctly install the products featured here. Specific installation guidance will be available on our website fisherpaykel.com

COOKTOP CLEARANCE

If installing a cooktop above the oven, ensure adequate clearance is provided for the cooktop as per the cooktop manufacturer's instructions.



Model no:

Oven - OB24SMPTNB1

Cabinetry Dimensions - Flush		inch	mm
Ⓐ	Overall cabinet height*	23 5/8	600
Ⓑ	Overall cabinet width - single installation	23 5/8	600
Ⓒ	Minimum inside width of cavity	22 1/16	560
Ⓓ	Minimum inside height of cavity	22 13/16	580
Ⓔ	Minimum inside depth of cavity	21 5/8	550
Ⓕ	Thickness of cabinetry front panel**	5/8-13/16	16-20

*Overall cabinet height is overall product height with minimum clearance above oven control panel to upper cabinetry front panel.
**Cabinetry shown in drawings 3/4" (19mm) panels.

Note: Consider placement of shelf above minimum inside height of cavity.

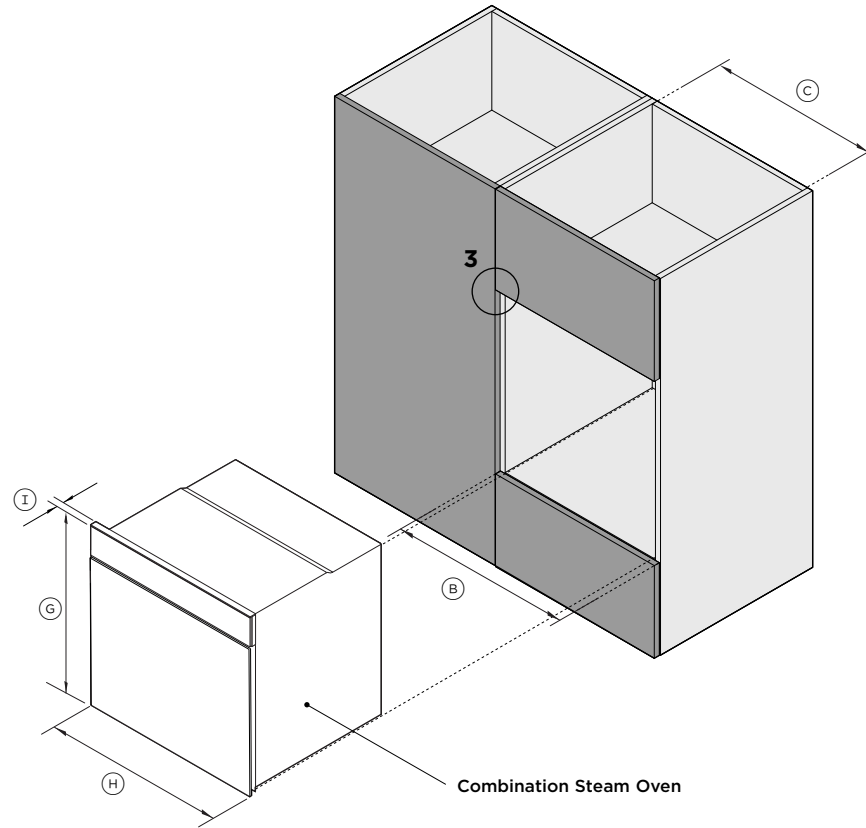
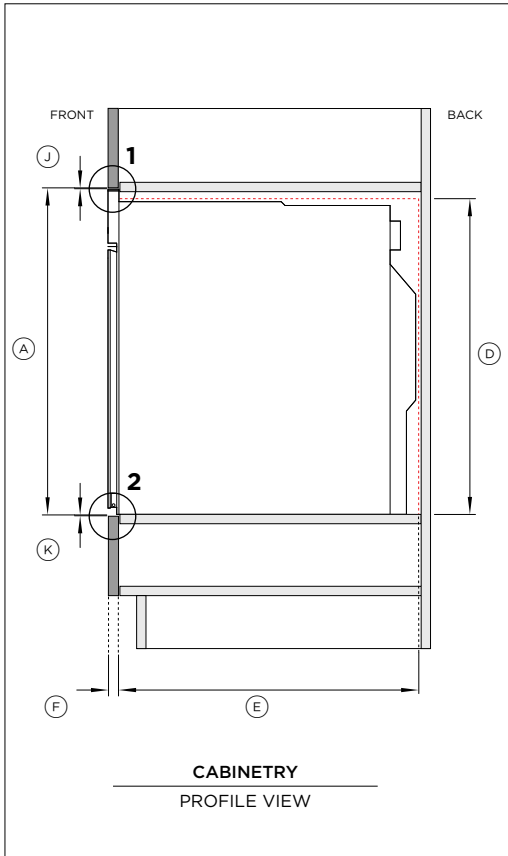
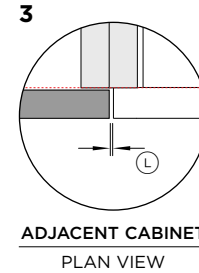
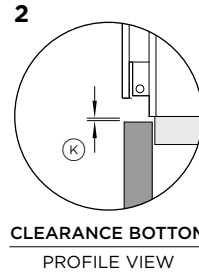
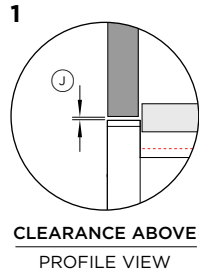
Product Dimensions		inch	mm
Ⓒ	Overall height of product	23 9/16	598
Ⓓ	Overall width of product	23 7/16	596
Ⓕ	Thickness of oven front panel	13/16	20

Cabinetry Clearances		inch	mm
Ⓐ	Minimum clearances above oven control panel to upper cabinetry front panel	1/16	2
Ⓑ	Minimum clearances between bottom of oven chassis to lower cabinetry front panel	1/16	2
Ⓒ	Minimum clearance between adjacent front panel or appliance	1/16	2

The models shown in this Planning Guide may not be available in all markets and are subject to change at any time. Product specifications may vary from those shown. This Planning Guide should not be used as installation guidance for any product. Further information is required to safely and correctly install the products featured here. Specific installation guidance will be available on our website fisherpaykel.com

COOKTOP CLEARANCE

If installing a cooktop above the oven, ensure adequate clearance is provided for the cooktop as per the cooktop manufacturer's instructions.



Model no:

Combination Steam Oven - OS24SMTNB1

Cabinetry Dimensions - Flush

	inch	mm
Ⓐ Overall cabinet height*	23 5/8	600
Ⓑ Overall cabinet width - single installation	23 5/8	600
Ⓒ Minimum inside width of cavity	22 1/16	560
Ⓓ Minimum inside height of cavity	22 13/16	580
Ⓔ Minimum inside depth of cavity	21 5/8	550
Ⓕ Thickness of cabinetry front panel**	5/8-13/16	16-20

*Overall cabinet height is overall product height with minimum clearance above oven control panel to upper cabinetry front panel.

**Cabinetry shown in drawings 3/4" (19mm) panels.

Note: Consider placement of shelf above minimum inside height of cavity.

Product Dimensions

	inch	mm
Ⓒ Overall height of product	23 9/16	598
Ⓓ Overall width of product	23 7/16	596
Ⓕ Thickness of oven front panel	13/16	20

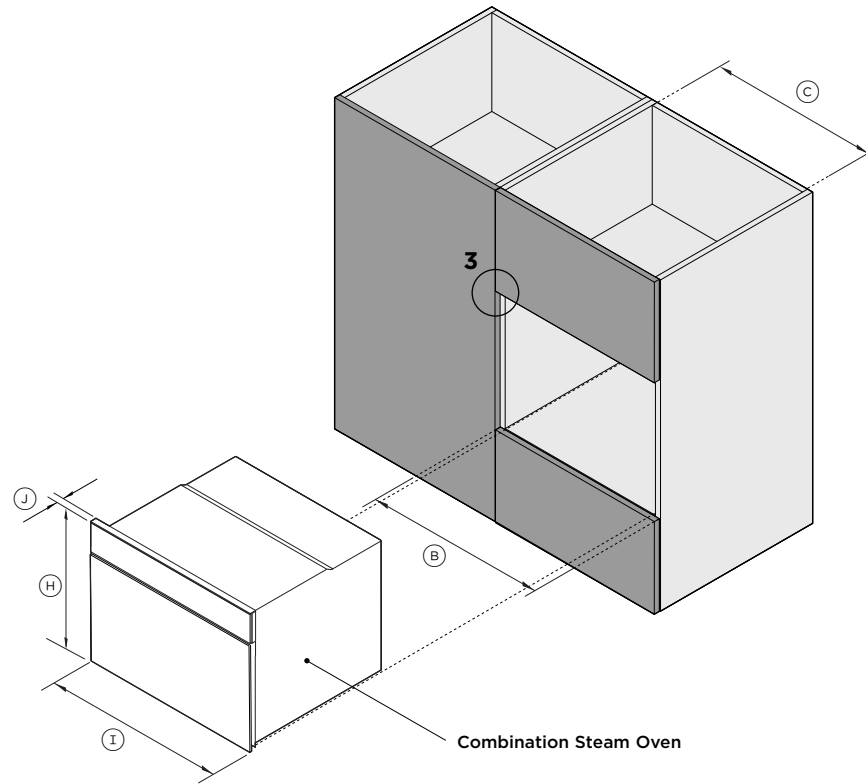
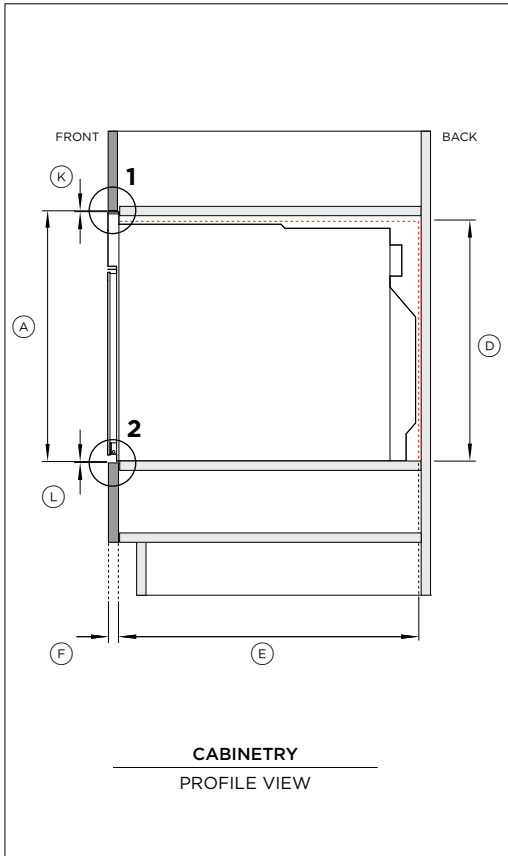
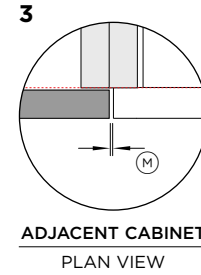
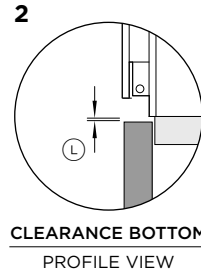
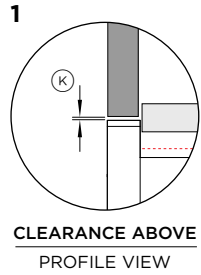
Cabinetry Clearances

	inch	mm
Ⓙ Minimum clearances above oven control panel to upper cabinetry front panel	1/16	2
Ⓚ Minimum clearances between bottom of oven chassis to lower cabinetry front panel	1/16	2
Ⓛ Minimum clearance between adjacent front panel or appliance	1/16	2

The models shown in this Planning Guide may not be available in all markets and are subject to change at any time. Product specifications may vary from those shown. This Planning Guide should not be used as installation guidance for any product. Further information is required to safely and correctly install the products featured here. Specific installation guidance will be available on our website fisherpaykel.com

COOKTOP CLEARANCE

If installing a cooktop above the oven, ensure adequate clearance is provided for the cooktop as per the cooktop manufacturer's instructions.



Model no:

Combination Steam Oven - OS24NMTNB1

Cabinetry Dimensions - Flush

	inch	mm
Ⓐ Overall cabinet height*	18 1/8	460
Ⓔ Overall cabinet width - single installation	23 5/8	600
Ⓒ Minimum inside width of cavity	22 1/16	560
Ⓓ Minimum inside height of cavity	17 5/16	440
Ⓔ Minimum inside depth of cavity	21 5/8	550
Ⓕ Thickness of cabinetry front panel**	5/8-13/16	16-20

*Overall cabinet height is overall product height with minimum clearance above oven control panel to upper cabinetry front panel.

**Cabinetry shown in drawings 3/4" (19mm) panels.

Note: Consider placement of shelf above minimum inside height of cavity.

Product Dimensions

	inch	mm
Ⓒ Overall height of product	18	458
Ⓔ Overall width of product	23 7/16	596
Ⓕ Thickness of oven front panel	13/16	20

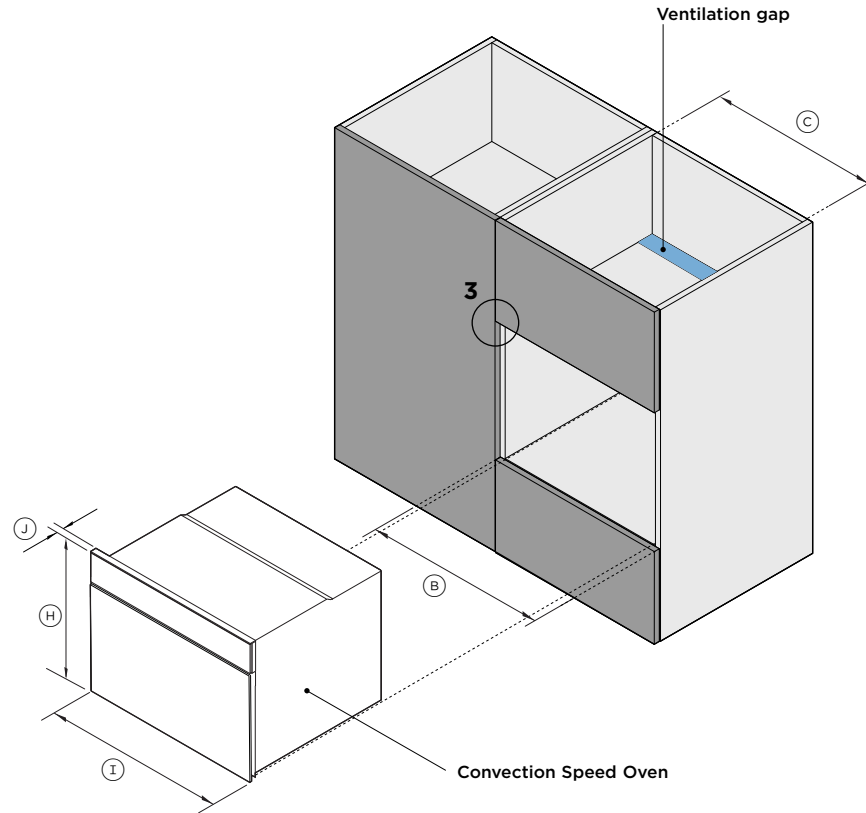
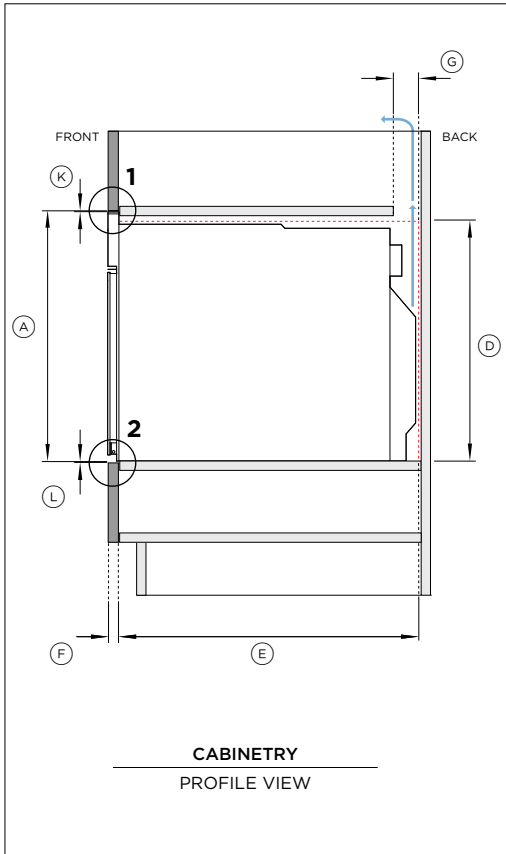
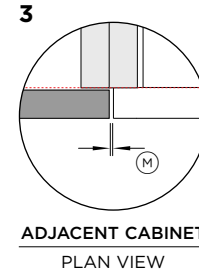
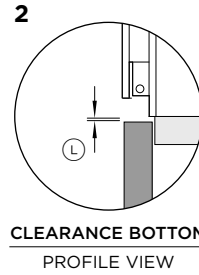
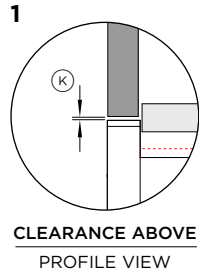
Cabinetry Clearances

	inch	mm
Ⓙ Minimum clearances above oven control panel to upper cabinetry front panel	1/16	2
Ⓚ Minimum clearances between bottom of oven chassis to lower cabinetry front panel	1/16	2
Ⓛ Minimum clearance between adjacent front panel or appliance	1/16	2

The models shown in this Planning Guide may not be available in all markets and are subject to change at any time. Product specifications may vary from those shown. This Planning Guide should not be used as installation guidance for any product. Further information is required to safely and correctly install the products featured here. Specific installation guidance will be available on our website fisherpaykel.com

VENTILATION

Ventilation of 2" x 22 1/16" (50mm x 560mm) or totalling 43.4in² (280cm²) is required. The air vent must be located at the rear of cabinet, it can be positioned at the base, top, sides, or back.



Model no:
Convection Speed Oven - OM24NMTNB1

Cabinetry Dimensions - Flush		
	inch	mm
Ⓐ Overall cabinet height*	18 1/8	460
Ⓑ Overall cabinet width - single installation	23 5/8	600
Ⓒ Minimum inside width of cavity	22 1/16	560
Ⓓ Minimum inside height of cavity	17 5/16	440
Ⓔ Minimum inside depth of cavity	21 5/8	550
Ⓕ Thickness of cabinetry front panel**	5/8-13/16	16-20
Ⓖ Ventilation gap***	2	50

*Overall cabinet height is overall product height with minimum clearance above oven control panel to upper cabinetry front panel.
**Cabinetry shown in drawings 3/4" (19mm) panels.
***A rear ventilation air vent totalling 43.4in² (280cm²) is required. The air vent must be located at the rear of the cabinet, it can be positioned at the base, sides, back or top of the cavity.

Note: Consider placement of shelf above minimum inside height of cavity.

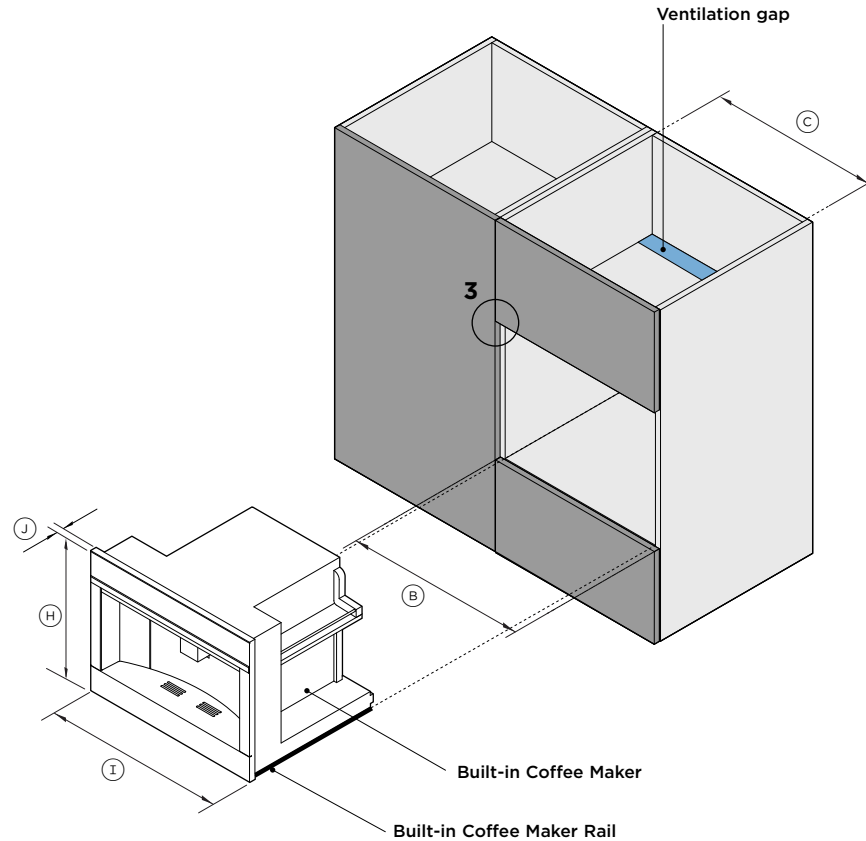
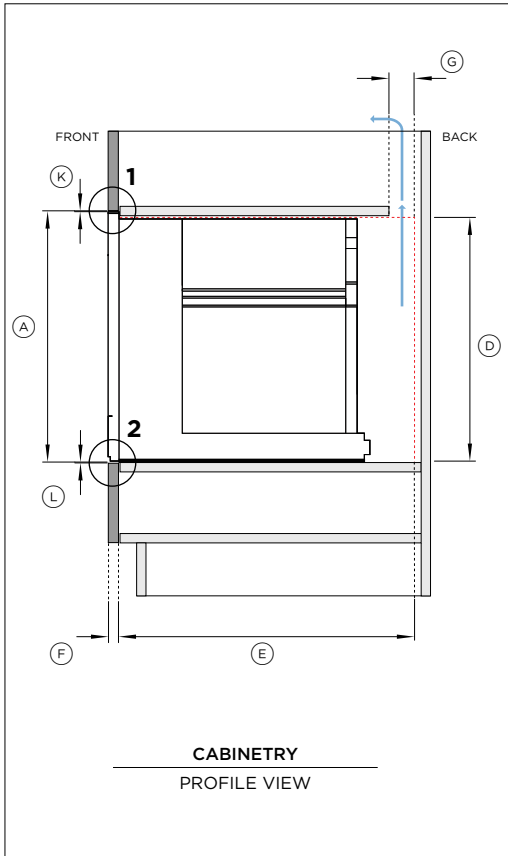
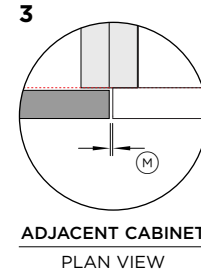
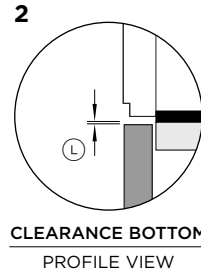
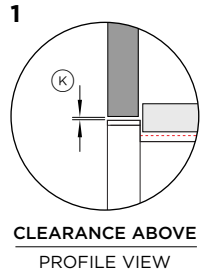
Product Dimensions		
	inch	mm
Ⓘ Overall height of product	18	458
Ⓢ Overall width of product	23 7/16	596
Ⓣ Thickness of oven front panel	13/16	20

Cabinetry Clearances		
	inch	mm
Ⓚ Minimum clearances above oven control panel to upper cabinetry front panel	1/16	2
Ⓛ Minimum clearances between bottom of oven chassis to lower cabinetry front panel	1/16	2
Ⓜ Minimum clearance between adjacent front panel or appliance	1/16	2

The models shown in this Planning Guide may not be available in all markets and are subject to change at any time. Product specifications may vary from those shown. This Planning Guide should not be used as installation guidance for any product. Further information is required to safely and correctly install the products featured here. Specific installation guidance will be available on our website fisherpaykel.com

VENTILATION

Ventilation of 2" x 22 1/16" (50mm x 560mm) or totalling 43.4in² (280cm²) is required. The air vent must be located at the rear of cabinet, it can be positioned at the base, top, sides, or back.



Model no:
Built-in Coffee Maker - EB24MSB1

Cabinetry Dimensions - Flush	inch	mm
Ⓐ Overall cabinet height*	18 1/8	460
Ⓑ Overall cabinet width - single installation	23 5/8	600
Ⓒ Minimum inside width of cavity	22 1/16	560
Ⓓ Minimum inside height of cavity	17 3/4	450
Ⓔ Minimum inside depth of cavity	21 7/16	545
Ⓕ Thickness of cabinetry front panel**	5/8-13/16	16-20
Ⓖ Ventilation gap***	2	50

*Overall cabinet height is overall product height with minimum clearance above coffee maker control panel to upper cabinetry front panel
 **Cabinetry shown in drawings 3/4" (19mm) panels.
 ***A rear ventilation air vent totalling 43.4in² (280cm²) is required. The air vent must be located at the rear of the cabinet, it can be positioned at the base, sides, back or top of the cavity.

Note: Consider placement of shelf above minimum inside height of cavity.

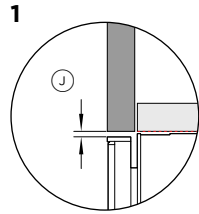
Product Dimensions	inch	mm
Ⓘ Overall height of product	18	458
Ⓢ Overall width of product	23 7/16	596
Ⓣ Thickness of coffee maker control panel	13/16	20

Cabinetry Clearances	inch	mm
Ⓚ Minimum clearances above coffee maker control panel to upper cabinetry front panel	1/16	2
Ⓛ Minimum clearances between bottom of coffee maker rails to lower cabinetry front panel	1/16	2
Ⓜ Minimum clearance between adjacent front panel or appliance	1/16	2

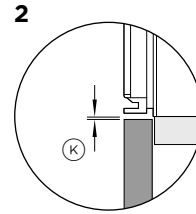
The models shown in this Planning Guide may not be available in all markets and are subject to change at any time. Product specifications may vary from those shown. This Planning Guide should not be used as installation guidance for any product. Further information is required to safely and correctly install the products featured here. Specific installation guidance will be available on our website fisherpaykel.com

NOTE

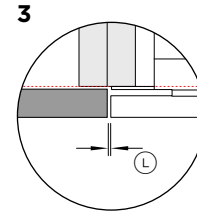
The Warming Drawer can fully support a 24" Fisher & Paykel oven, without adding a shelf in between.



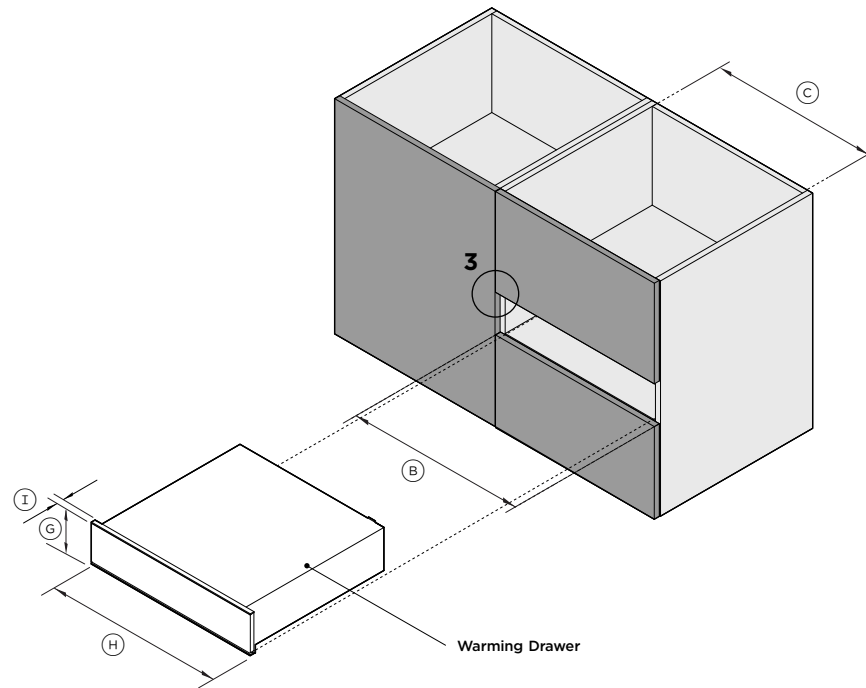
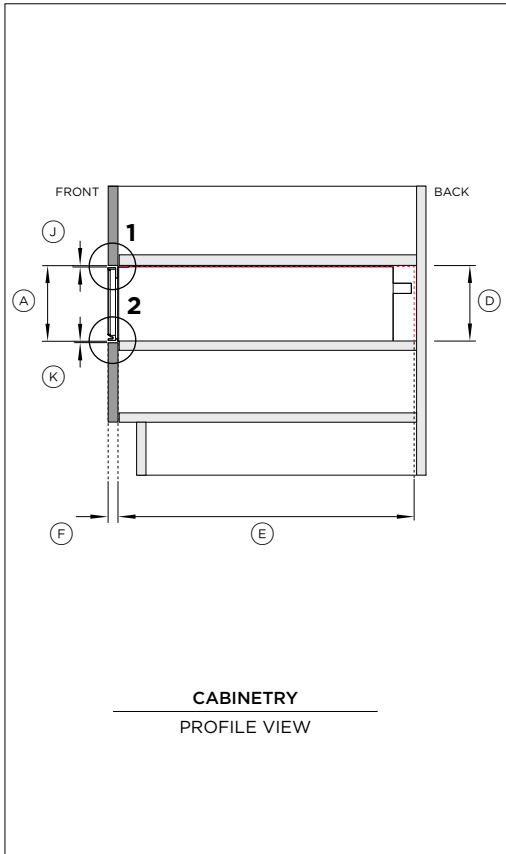
1
CLEARANCE ABOVE
PROFILE VIEW



2
CLEARANCE BOTTOM
PROFILE VIEW



3
ADJACENT CABINET
PLAN VIEW



Model no:
Warming Drawer - WB24SMB1-SET

Cabinetry Dimensions - Flush		
	inch	mm
Ⓐ Overall cabinet height*	5 11/16	144
Ⓑ Overall cabinet width - single installation	23 5/8	600
Ⓒ Minimum inside width of cavity	22 1/16	560
Ⓓ Minimum inside height of cavity	5 9/16	142
Ⓔ Minimum inside depth of cavity	21 5/8	550
Ⓕ Thickness of cabinetry front panel**	5/8-13/16	16-20

*Overall cabinet height is overall product height with minimum clearance above drawer front panel to upper cabinetry front panel.

**Cabinetry shown in drawings 3/4" (19mm) panels.

Note: Consider placement of shelf above minimum inside height of cavity.

Product Dimensions		
	inch	mm
Ⓒ Overall height of product	5 1/2	140
Ⓓ Overall width of product	23 7/16	596
Ⓕ Thickness of warming drawer front panel and flange	13/16	20

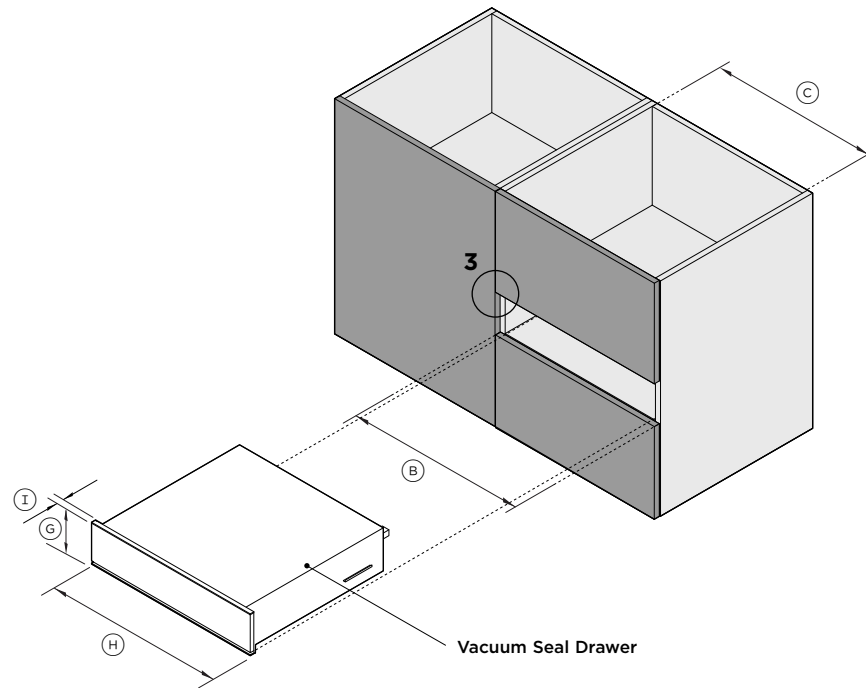
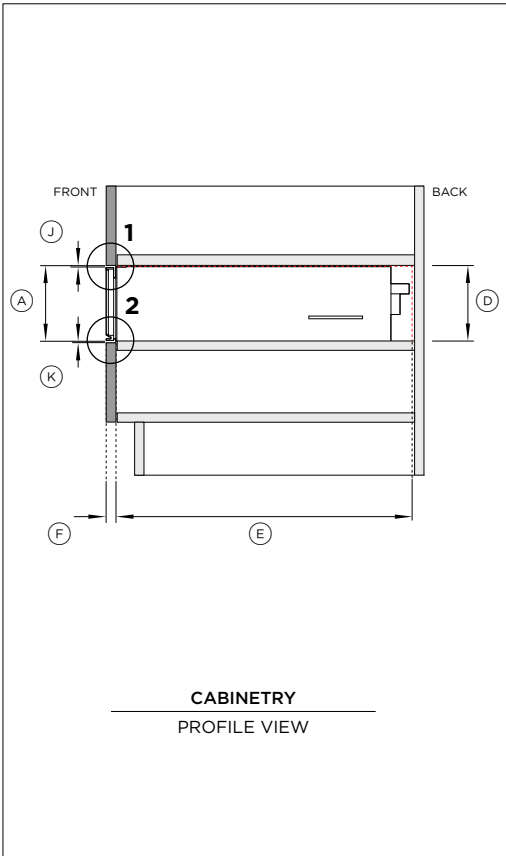
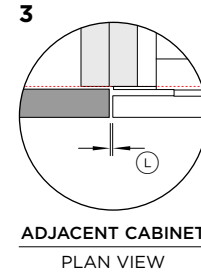
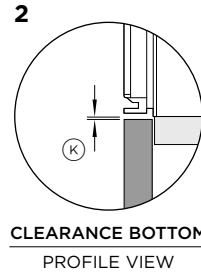
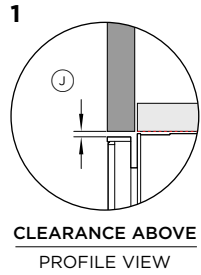
Cabinetry Clearances		
	inch	mm
Ⓐ Minimum clearances above drawer front panel to upper cabinetry front panel*	3/16	4
Ⓑ Minimum clearances between bottom of drawer chassis to lower cabinetry front panel	1/16	2
Ⓒ Minimum clearance between adjacent front panel or appliance	1/16	2

*Achieve a smaller gap between drawer front panel to upper cabinetry front panel by dropping cabinetry front panel down

The models shown in this Planning Guide may not be available in all markets and are subject to change at any time. Product specifications may vary from those shown. This Planning Guide should not be used as installation guidance for any product. Further information is required to safely and correctly install the products featured here. Specific installation guidance will be available on our website fisherpaykel.com

NOTE

The Vacuum Seal Drawer can fully support a 24" Fisher & Paykel oven, without adding a shelf in between.



Model no:

Vacuum Seal Drawer - VB24SMB1-SET

Cabinetry Dimensions - Flush

	inch	mm
Ⓐ Overall cabinet height*	5 11/16	144
Ⓑ Overall cabinet width - single installation	23 5/8	600
Ⓒ Minimum inside width of cavity	22 1/16	560
Ⓓ Minimum inside height of cavity	5 9/16	142
Ⓔ Minimum inside depth of cavity	21 5/8	550
Ⓕ Thickness of cabinetry front panel**	5/8-13/16	16-20

*Overall cabinet height is overall product height with minimum clearance above drawer front panel to upper cabinetry front panel.

**Cabinetry shown in drawings 3/4" (19mm) panels.

Note: Consider placement of shelf above minimum inside height of cavity.

Product Dimensions

	inch	mm
Ⓒ Overall height of product	5 1/2	140
Ⓓ Overall width of product	23 7/16	596
Ⓕ Thickness of vacuum seal drawer front panel and flange	13/16	20

Cabinetry Clearances

	inch	mm
Ⓐ Minimum clearances above drawer front panel to upper cabinetry front panel*	3/16	4
Ⓑ Minimum clearances between bottom of drawer chassis to lower cabinetry front panel	1/16	2
Ⓒ Minimum clearance between adjacent front panel or appliance	1/16	2

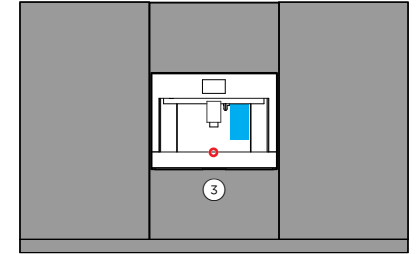
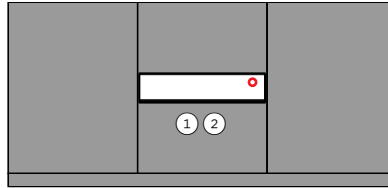
*Achieve a smaller gap between drawer front panel to upper cabinetry front panel by dropping cabinetry front panel down

The models shown in this Planning Guide may not be available in all markets and are subject to change at any time. Product specifications may vary from those shown. This Planning Guide should not be used as installation guidance for any product. Further information is required to safely and correctly install the products featured here. Specific installation guidance will be available on our website fisherpaykel.com

SERVICES

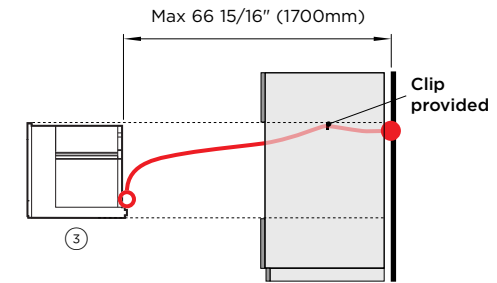
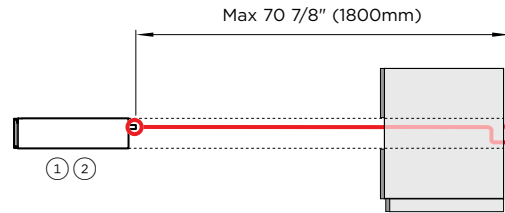
CONNECTION

Connections may be located in an adjacent cabinet to either side of the appliance. Ensure power will remain accessible following install to allow access for any future product maintenance.



BUILT-IN COFFEE MAKER

The power cable must be long enough to allow the appliance to be extracted from the cabinet to fill the coffee bean container. Fix the power cable with the clip.



- Power Cable
- Water Tank

① **VACUUM SEAL DRAWER**
VB24SMB1-SET

② **WARMING DRAWER**
WB24SMB1-SET

③ **BUILT-IN COFFEE MAKER**
EB24MSB1

POWER CORD

Maximum power cord length*	70 7/8" (1800mm)	70 7/8" (1800mm)	66 15/16" (1700mm)
Location	Upper right	Upper right	Lower centered
Connection	Flex cord	Flex cord	Flex cord

*Measured from power outlet, supplied with product.

WATER

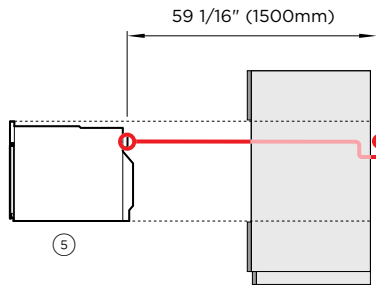
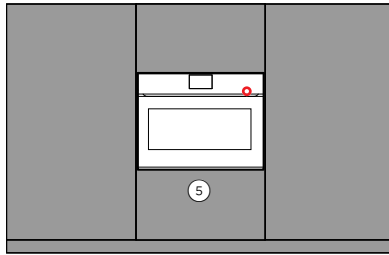
Total Capacity	-	-	84.5 fl oz (2.4L)
Location	-	-	Water tank (internal)

ELECTRICAL

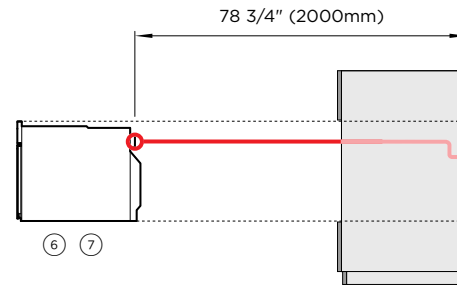
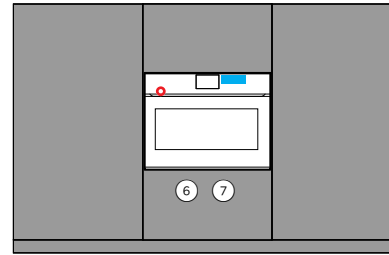
Supply	120 V, 60 Hz	120 V, 60 Hz	120 V, 60 Hz
Service	10 A	10 A	10 A

Note: Multiple product installation requires the design of power outlets according to local regulations.

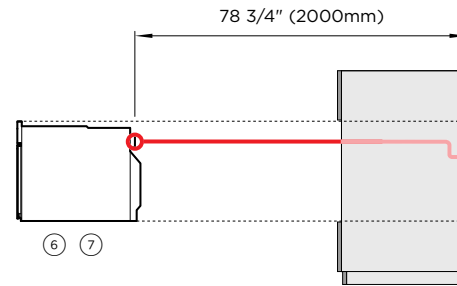
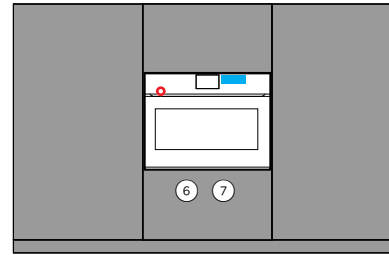
The models shown in this Planning Guide may not be available in all markets and are subject to change at any time. Product specifications may vary from those shown. This Planning Guide should not be used as installation guidance for any product. Further information is required to safely and correctly install the products featured here. Specific installation guidance will be available on our website fisherpaykel.com



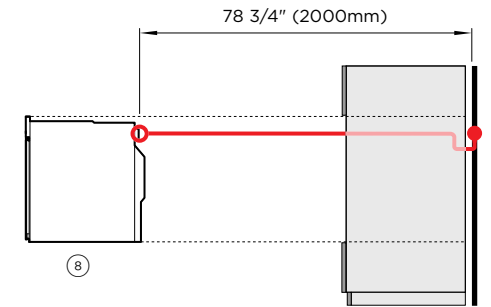
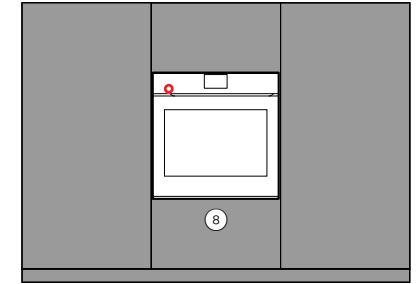
⑤ CONVECTION SPEED OVEN
OM24NMTNB1



⑥ COMBINATION STEAM OVEN
OS24NMTNB1



⑦ COMBINATION STEAM OVEN
OS24SMTNB1



⑧ OVEN
OB24SMPTNB1

○ Power Cable
■ Water Tank

POWER CORD	⑤ CONVECTION SPEED OVEN OM24NMTNB1	⑥ COMBINATION STEAM OVEN OS24NMTNB1	⑦ COMBINATION STEAM OVEN OS24SMTNB1	⑧ OVEN OB24SMPTNB1
Maximum power cord length*	59 1/16" (1500mm)	78 3/4" (2000mm)	78 3/4" (2000mm)	78 3/4" (2000mm)
Location	Upper right	Upper left	Upper left	Upper left
Connection	Hard wire**	Hard wire**	Hard wire**	Hard wire**

*Measured from power outlet, supplied with product.

**For more information, refer to the Installation Guide. Ensure power will remain accessible following install to allow access for any future product maintenance.

WATER	⑤ CONVECTION SPEED OVEN OM24NMTNB1	⑥ COMBINATION STEAM OVEN OS24NMTNB1	⑦ COMBINATION STEAM OVEN OS24SMTNB1	⑧ OVEN OB24SMPTNB1
Total Capacity	-	47 fl oz (1.4L)	47 fl oz (1.4L)	-
Location	-	Water tank (internal)	Water tank (internal)	-

ELECTRICAL	⑤ CONVECTION SPEED OVEN OM24NMTNB1	⑥ COMBINATION STEAM OVEN OS24NMTNB1	⑦ COMBINATION STEAM OVEN OS24SMTNB1	⑧ OVEN OB24SMPTNB1
Supply	208 or 240 V, 60 Hz	208 or 240 V, 60 Hz	208 or 240 V, 60 Hz	208 or 240 V, 60 Hz
Service	20 A	20 A	20 A	20 A

Note: Multiple product installation requires the design of power outlets according to local regulations.

The models shown in this Planning Guide may not be available in all markets and are subject to change at any time. Product specifications may vary from those shown. This Planning Guide should not be used as installation guidance for any product. Further information is required to safely and correctly install the products featured here. Specific installation guidance will be available on our website fisherpaykel.com

