

# 30" Built-In Bottom-Freezer



Benchmark® Series – Stainless Steel B30BB130SS



**B30BB130SS**  
Stainless Steel

Also available in:

Custom Panel  
B30IB100SP

**The Benchmark 30" stainless steel built-in refrigerator, redesigned with premium metal interior, keeps food fresh longer and has efficient and precise cooling and humidity control.**

## Features & Benefits

VitaFresh® technology keeps food fresh up to 3x longer\* with precise humidity and temperature control, on a full color UI.

Stainless steel backwall and bright LEDs keep the spotlight on your food.

Metal door bins, split shelves and three-tier freezer drawers to help you organize the way you want.

Full width deli drawer can accommodate large charcuterie or veggie platters for when you're ready to serve.

Internal water dispenser with UltraClarityPro® filter removes over 99.9% of impurities.

Dimensions and Weight	
Overall width (inches)	29 3/4"
Overall height (inches)	83 9/16" Min. – 85 1/2" Max.
Overall depth with doors and handles (inches)	26 7/8"
Overall depth without doors and handles (inches)	24"
Required cutout size (HxWxD) (inches)	84" x 30" x 24"
Net /gross weight (approx.) (lbs.)	470 / 502

Style	
Door panel style	Stainless Steel
Handle style	Bar Handle
Interior finish	SS Backwall
Reversible door	Yes
Number of doors	2

Innovation	
Wi-Fi-enabled for control with Home Connect® app	Yes
Remote monitoring and control	Yes
Remote system upgrade	Yes

Performance	
VitaFresh®	Yes
Evaporators / Compressors	2 / 2
Quick Ice	Yes
Automatic defrosting	Yes
Modes: Normal, Vacation, Eco, Sabbath, Shopping, Demo, SuperCool, SuperFreeze®	
Internal water dispenser	Yes
One Touch BottleFill	Yes
Water filter (6 months)	Yes
AirFresh® filter	Yes
Ethylene filter (6 months)	Yes

Capacity and Storage	
Total capacity (cu. ft.)	16.5
Refrigerator capacity (cu. ft.)	10.9
Freezer capacity (cu. ft.)	5.6
Full-extension freezer storage drawer	Yes
Tiered freezer drawer	3-Tier
Full extension deli drawer	1
Full extension VitaFresh® drawer	1

VitaFresh® drawer modes (°F/humidity): Vegetables (32°F/high), Fruit (32°F/low) Meat (30°F/low), Fish (30°F/low), Deli (34°F/low), Cheese (35°F/low), Beverages (34°F/low), Mixed (32°F/low), Charcuterie (35°F/low)

Door bins	2 Adjustable, 1 Fixed
-----------	-----------------------

General Features	
Color touchscreen control panel	Yes
Water filter replacement indicator	Yes
Ice maker	Yes
Ice On / Off	Yes
Ice production (24 hrs.), ice cubes (lbs.)	5.5
Ice storage capacity (lbs.)	6.6
LED interior and drawer lighting	Yes
Independent cooling systems	2
Door alarm	Yes
Childproof lock	Yes
Cooling system	MultiAirFlow™
Maximum sound level	39 dBA
Star-K certified Sabbath mode	TBD



\*As compared to a Bosch refrigerator without VitaFresh®. Results may vary among different foods.

**Accessories:** To purchase Bosch accessories, cleaners & parts please visit [www.bosch-home.com/us/store](http://www.bosch-home.com/us/store) or call 1-800-944-2904 (Mon to Fri 5 am to 6 pm PST, Sat 6 am to 3 pm PST).

**Notes:** All height, width and depth dimensions are shown in inches. BSH reserves the absolute and unrestricted right to change product materials and specifications, at any time, without notice. Consult the product's installation instructions for final dimensional data and other details prior to making cutout.

**Warranties:** Please see Use & Care manual or Bosch website for statement of limited warranty.

**For more information on our entire line of products, go to [www.bosch-home.com/us](http://www.bosch-home.com/us) or call 1-800-944-2904**

© BSH Home Appliances Corporation. All rights reserved. Bosch is a registered trademark of Robert Bosch GmbH.

# 30" Built-In Bottom-Freezer



Benchmark® Series – Stainless Steel B30BB130SS

## Energy Efficiency

ENERGY STAR® Certified	Yes
Energy consumption (kWh / yr)	560

## Operating Temperature

Refrigerator: 33°F (1°C) to 43°F (6°C)
Freezer Drawer: -11°F (-24°C) to -6°F (-21°C) to 6°F (-14°C)
VitaFresh® Drawer: 10 preset modes
SuperCool: 34°F (1°C) for approx. 8 hours
SuperFreeze®: -15°F (-26°C) for approx. 8 hrs.

## Installation Features

Four point front adjustable with 4 wheels	Yes
Attachment method to cabinetry	4 fixation brackets, Fixed at 4 corners of appliance, no visible screws
Front serviceable	Yes
Anti-tip bracket included	Yes
Frame kit included	Yes

## Technical Specs

Required power supply	110-120 V, 60 Hz, 10 Amp Min.
Plug type	120V-3 Prong
Power cord length (in.)	118"

## Warranty

Limited warranty, non-electronic parts (parts only, no labor)	2 Years
Electronic parts (parts only, no labor)	5 Years
Lifetime Limited: Stainless steel door if rust-through occurs (parts only, no labor)	Lifetime

## Optional Accessories



**BORPLFTR55**  
Replacement UltraClarityPro® water filter



**11037377**  
Water filter bypass (part no.)



**17006999**  
Replacement ethylene starter kit (part no.)



**17007000**  
Replacement ethylene filter packets (part no.)

## Installation Details

**Product Dimensions**  
Measurements in inches (mm)

**NOTE:** A connection kit should be used when installing two bottom freezer refrigerators side-by-side. Side-by-side connection kit: **BOSCOMBI10**

**Base Detail Dimensions**  
Measurements in inches (mm)

**Accessories:** To purchase Bosch accessories, cleaners & parts please visit [www.bosch-home.com/us/store](http://www.bosch-home.com/us/store) or call 1-800-944-2904 (Mon to Fri 5 am to 6 pm PST, Sat 6 am to 3 pm PST).

**Notes:** All height, width and depth dimensions are shown in inches. BSH reserves the absolute and unrestricted right to change product materials and specifications, at any time, without notice. Consult the product's installation instructions for final dimensional data and other details prior to making cutout.

**Warranties:** Please see Use & Care manual or Bosch website for statement of limited warranty.

**For more information on our entire line of products, go to [www.bosch-home.com/us](http://www.bosch-home.com/us) or call 1-800-944-2904**

© BSH Home Appliances Corporation. All rights reserved. Bosch is a registered trademark of Robert Bosch GmbH.

# 30" Built-In Bottom-Freezer



Benchmark® Series – Stainless Steel B30BB130SS

## Installation Details

**Proud Install Top View Clearance**  
Measurements in inches (mm)

**Proud Install Cutout Dimensions**  
Measurements in inches (mm)

**C1**

≥ 4 (≥ 102) (C)

**C2**

≥ 4 (≥ 102) (C)

D

**A:** Outlet  
**B:** Area for water and electric line routing  
**C:** Furniture return  
C1: Frameless cabinet  
C2: Framed cabinet  
**D:** Filler

**Flush Install Top View Clearance**  
Measurements in inches (mm)

**Flush Install Cutout Dimensions**  
Measurements in inches (mm)

**C1**

≥ 4 (≥ 102) (C)

**C2**

≥ 4 (≥ 102) (C)

D

**A:** Outlet  
**B:** Area for water and electric line routing  
**C:** Furniture return  
C1: Frameless cabinet  
C2: Framed cabinet  
**D:** Filler

**Accessories:** To purchase Bosch accessories, cleaners & parts please visit [www.bosch-home.com/us/store](http://www.bosch-home.com/us/store) or call 1-800-944-2904 (Mon to Fri 5 am to 6 pm PST, Sat 6 am to 3 pm PST).

**Notes:** All height, width and depth dimensions are shown in inches. BSH reserves the absolute and unrestricted right to change product materials and specifications, at any time, without notice. Consult the product's installation instructions for final dimensional data and other details prior to making cutout.

**Warranties:** Please see Use & Care manual or Bosch website for statement of limited warranty.

**For more information on our entire line of products, go to [www.bosch-home.com/us](http://www.bosch-home.com/us) or call 1-800-944-2904**

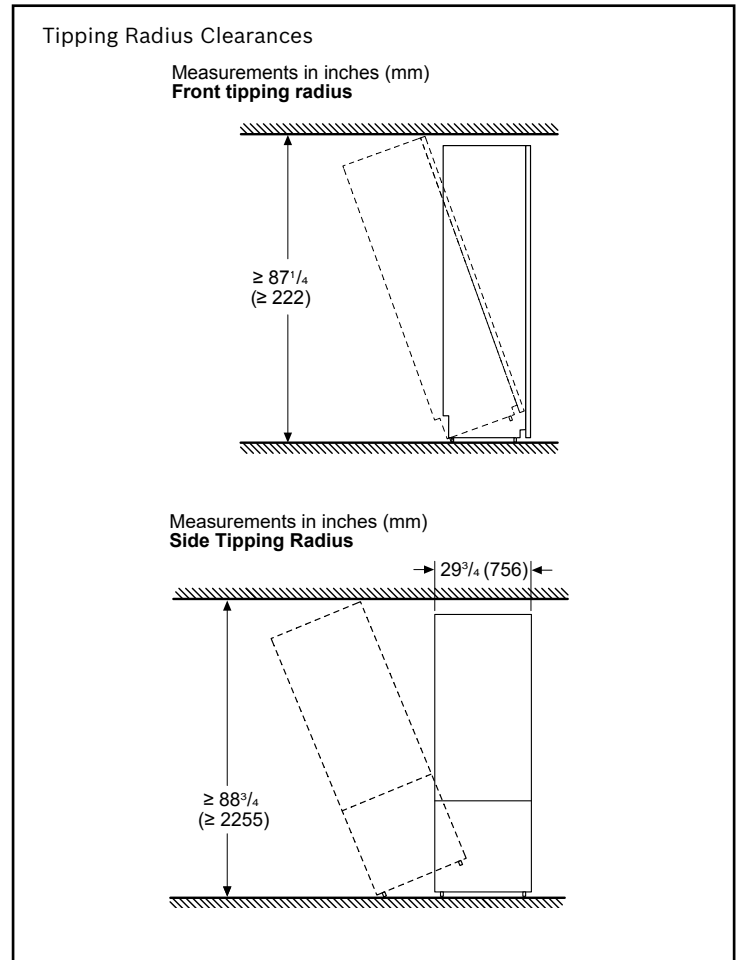
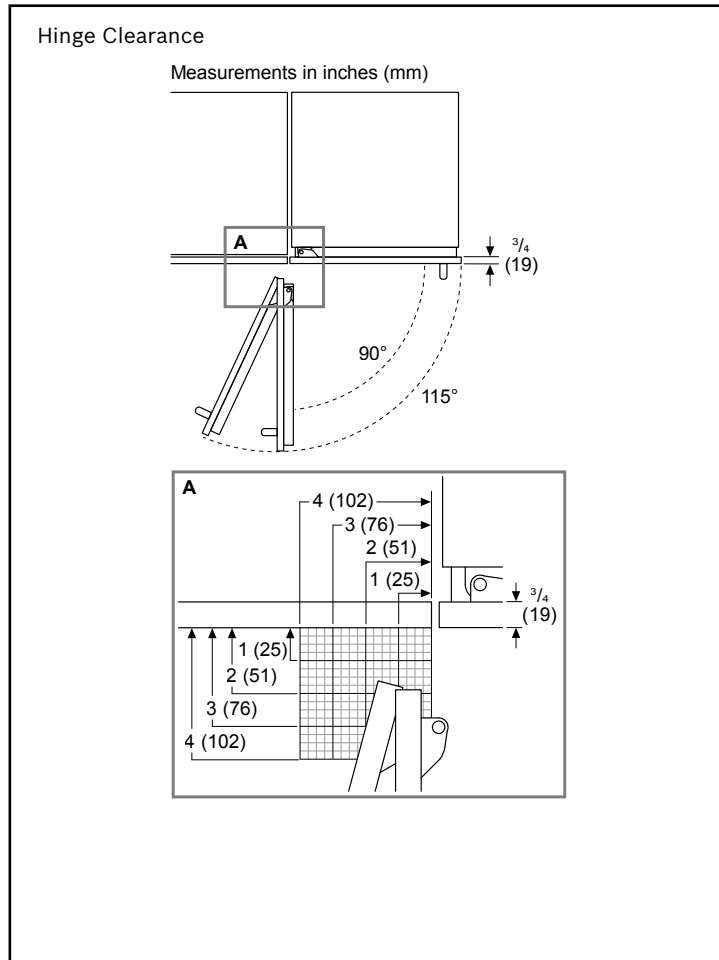
© BSH Home Appliances Corporation. All rights reserved. Bosch is a registered trademark of Robert Bosch GmbH.

# 30" Built-In Bottom-Freezer



Benchmark® Series – Stainless Steel B30BB130SS

## Installation Details



**Accessories:** To purchase Bosch accessories, cleaners & parts please visit [www.bosch-home.com/us/store](http://www.bosch-home.com/us/store) or call 1-800-944-2904 (Mon to Fri 5 am to 6 pm PST, Sat 6 am to 3 pm PST).

**Notes:** All height, width and depth dimensions are shown in inches. BSH reserves the absolute and unrestricted right to change product materials and specifications, at any time, without notice. Consult the product's installation instructions for final dimensional data and other details prior to making cutout.

**Warranties:** Please see Use & Care manual or Bosch website for statement of limited warranty.

**For more information on our entire line of products, go to [www.bosch-home.com/us](http://www.bosch-home.com/us) or call 1-800-944-2904**

© BSH Home Appliances Corporation. All rights reserved. Bosch is a registered trademark of Robert Bosch GmbH.