



GV451720
Vacuumping drawer Expressive series
Stainless steel-backed smoked glass front.
Width 24" (60 cm), Height 5 1/2" (14.0 cm).

Highlights

Integrable in 5 1/2" (14 cm) high niche.
Hygienic stainless steel vacuuming chamber, applicable height up to 3" (80 mm).
3 vacuuming levels for vacuuming in the chamber, max. 99%.
3 vacuuming levels for vacuuming outside the chamber, max. 90%.
Automatic connection recognition for vacuuming outside the chamber.
Handleless drawer.
Push-to-open function.

Application

Vacuumping for sous-vide cooking.
Vacuumping for fast marinating and flavouring.
Vacuumping for extended storage.
Vacuumping of vacuuming containers outside the chamber.
Resealing bottle outside the chamber.

Operation

Touch key operation.

Features

Cavity capacity 0.25 cu.ft. (7 liters).
Capacity load max. 22 lbs.
Maximum size of vacuuming bags W 9 1/2" x L 13 3/4".
3 heat-sealing levels for different strengths of bag material.
Sealing bar, non-stick coating, removable.
Safety glass cover, opens automatically after vacuuming.
Raised vacuuming platform, 1 3/4" (44 mm), deployable.
Utility space in vacuuming chamber, 8 1/4" x L 11".
Membrane for avoiding reflow of liquids during vacuuming outside the chamber.
Drying programme for vacuuming pump.

Planning notes

Plan the niche without back wall.
Protrusion from appliance front to furniture cabinet 1 5/8" (42 mm).
Installation of GO/GS/GM/GC directly above the drawer without intermediate shelf.
Installation directly above a dishwasher is not allowed.
The electric outlet can be planned behind the appliance.
Special accessories (order as spare parts):
Part No. 00578813 vacuuming bags, small
Part No. 00578814 vacuuming bags, big.

Rating

Total rating 0.52 KW.
Electrical connection cable 71" (1.80 m), hardwire required.

Product Features

Temperature Settings

Type of Control

Illuminated Touch Control

Oven control

electronic

Time control

No

Included Accessories

50 x vacuuming bag, small, 50 x vacuuming bag, big, 1 x raised vacuuming platform, 1 x adaptor f. vacuuming outside the chamber, 1 x vacuuming hose, 1 x adaptor for bottle plugs, 3 x plugs for vacuuming of bottles

Consumption and connection features

2025-06-06

Page 1

Color Variants

GV451720

Stainless steel-backed smoked glass front.
Width 24" (60 cm), Height 5 1/2" (14.0 cm).

Included accessories

50 x vacuuming bag, small.
50 x vacuuming bag, big.
1 x raised vacuuming platform.
1 x adaptor f. vacuuming outside the chamber.

GV451720

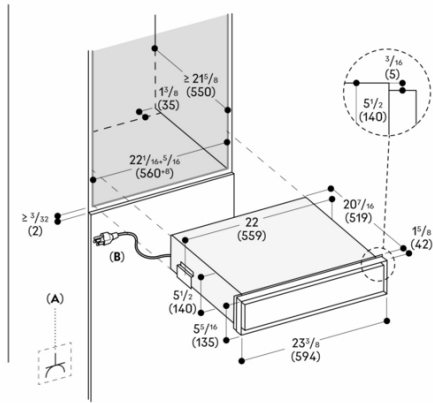
Vacuuming drawer Expressive series

Stainless steel-backed smoked glass front.

Width 24" (60 cm), Height 5 1/2" (14.0 cm).

2025-06-06

Page 2



A: Accessible electrical connection
B: Fixed cable

Measurements in inches (mm)

GAGGENAU