



#### GW483720

Culinary warming drawer Expressive series

Stainless steel behind smoked glass.

Width 30" (76 cm), Height 8 7/16" (21.5 cm).

#### Color Variants

GW483720

Stainless steel behind smoked glass.

Width 30" (76 cm), Height 8 7/16" (21.5 cm).

#### Highlights

Handleless drawer.  
Bright interior lighting  
Push-to-open function.  
Hygienic stainless steel interior with glass bottom  
Direct temperature selection in the range 80 °F to 180 °F.  
Also for low-temperature cooking, dough proofing, herbs and fruits drying, chocolate melting and defrosting.

#### Cooking modes

Preheating of small beverages.  
Warming of dishes.  
Keeping meals warm.  
Low-temperature cooking.  
Direct temperature control.  
Personalization function via Home Connect.  
16 additional programs via Home Connect.

#### Operation

Touch key operation.

#### Features

Cavity capacity 1.67 cu.ft. (47 liters).  
Volume capacity: Dinner service for 10 people including ø 10 5/8" plates and soup bowls, additional bowls and a serving dish depending on size.  
Capacity load max. 55 lbs.  
Usable interior dimensions  
W27 5/8" x H 6 1/2" x D 16".  
Heating system for even heat distribution and stable cavity temperature.  
Status indicator, visible on the frame.  
Glass bottom made of safety glass.

#### Selected digital services (Gaggenau Home Connect)

Additional programs and recipes.  
Remote control and monitoring.  
Timing function.

#### Planning notes

Plan the niche without back wall.  
Protrusion from appliance front to furniture cabinet 1 5/8" (42 mm).  
Installation of GO/GS/GM/GC directly above the drawer without intermediate shelf.  
Installation directly above a dishwasher is not allowed.  
The electrical connection must be accessible and located outside the oven cutout.  
The electric outlet can be planned behind the appliance.

#### Rating

Total rating 0.82 KW.  
Electrical connection cable 68 7/8" (1.75 m), hardwire required.

#### Product Features

##### Temperature Settings

##### Type of Control

Illuminated Touch Control

##### Oven control

electronic

##### Time control

No

##### Included Accessories

#### Consumption and connection features

2025-06-05

Page 1

GW483720

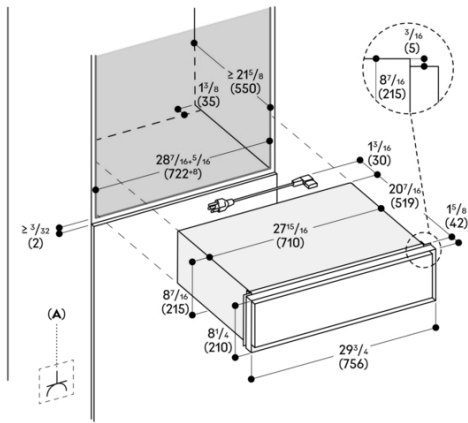
Culinary warming drawer Expressive series

Stainless steel behind smoked glass.

Width 30" (76 cm), Height 8 7/16" (21.5 cm).

2025-06-05

Page 2



A: Accessible electrical connection

Measurements in inches (mm)

**GAGGENAU**