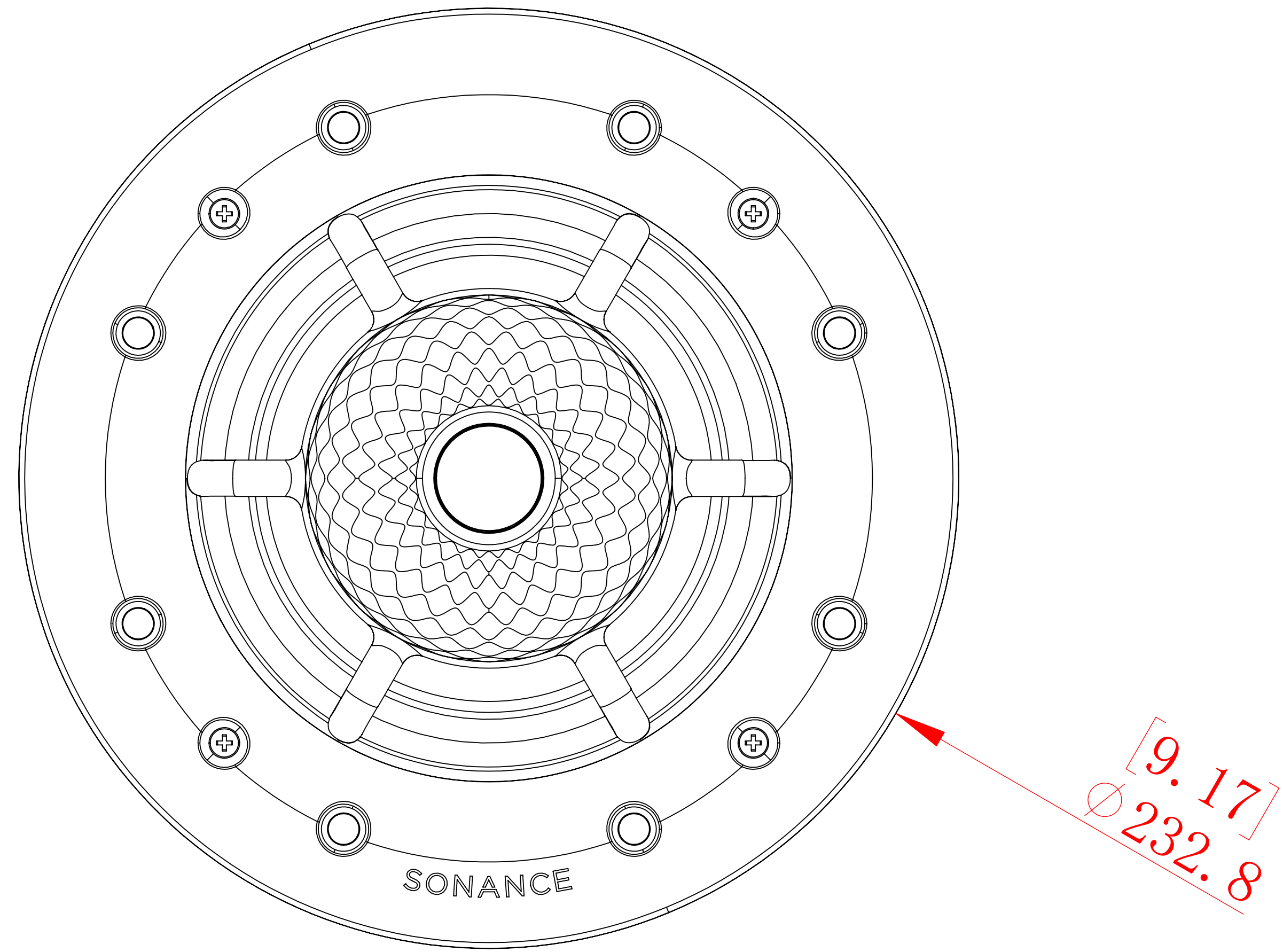
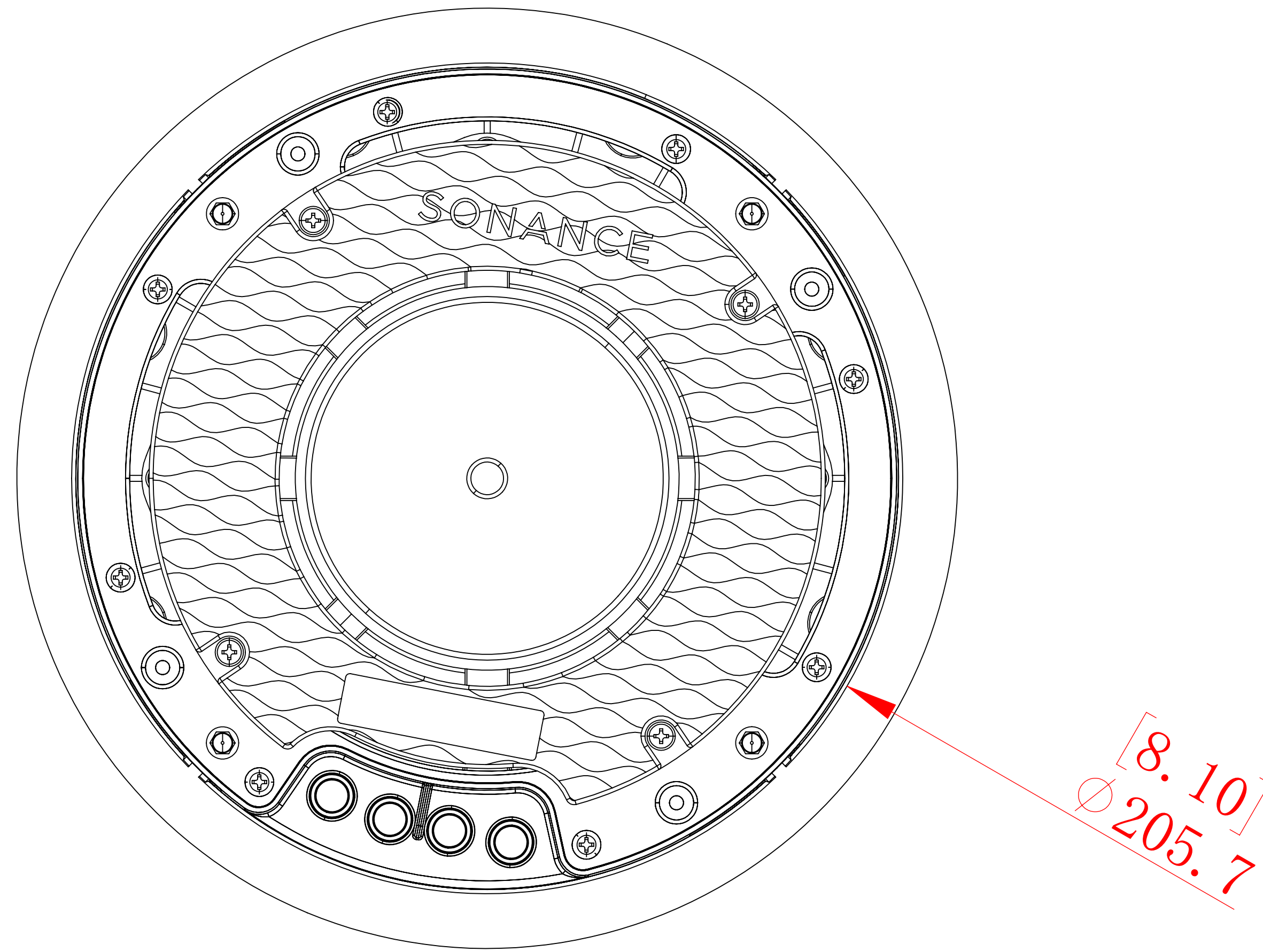


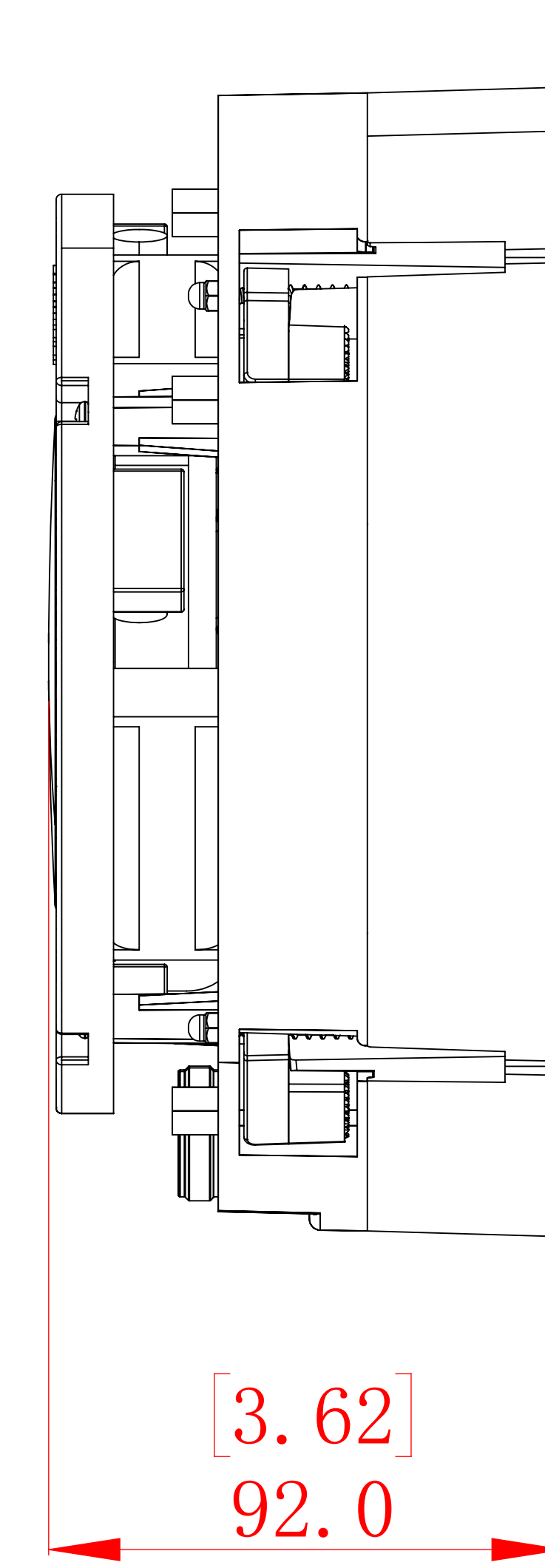
FRONT



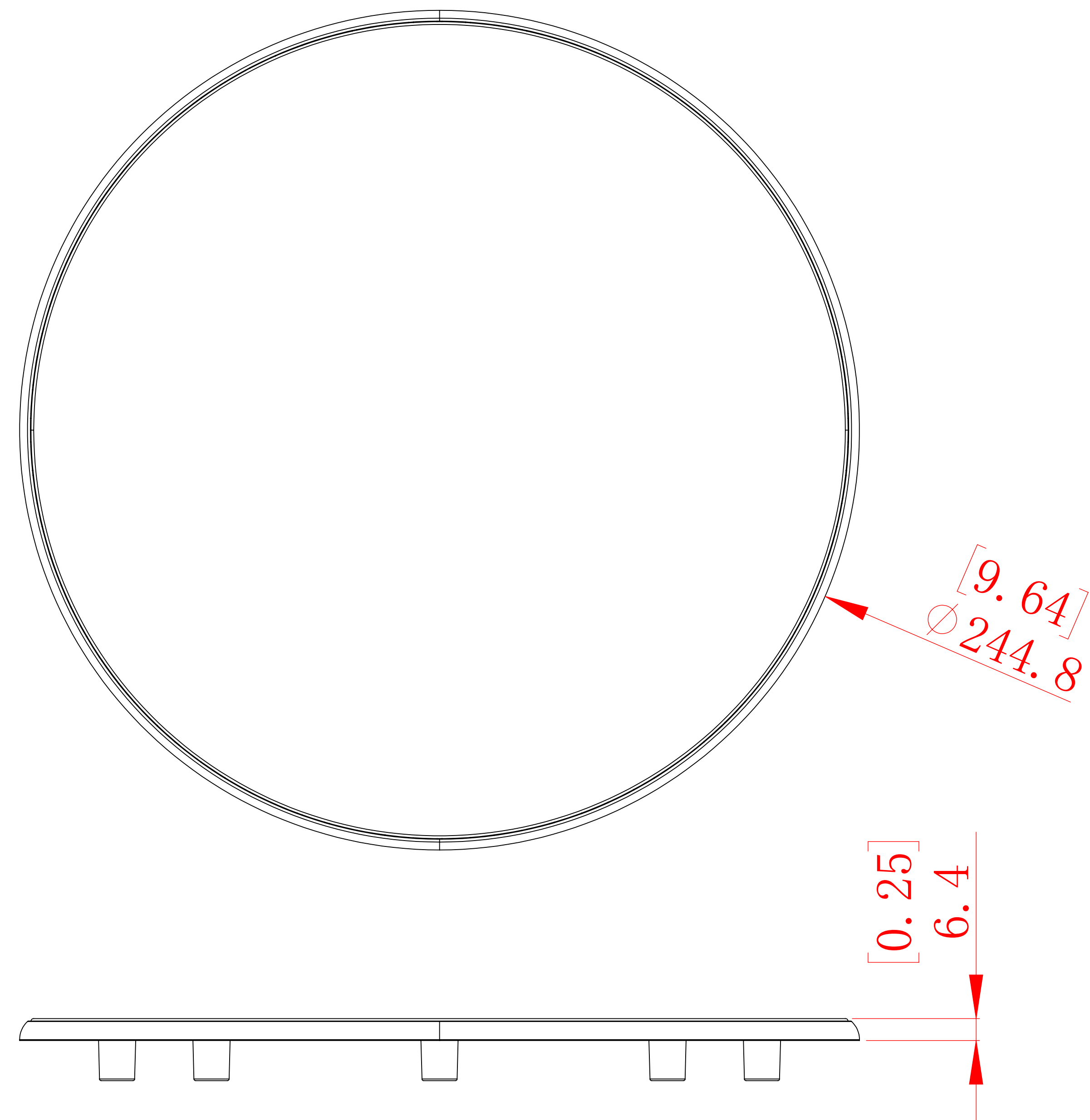
BACK / MINIMUM CUTOUT



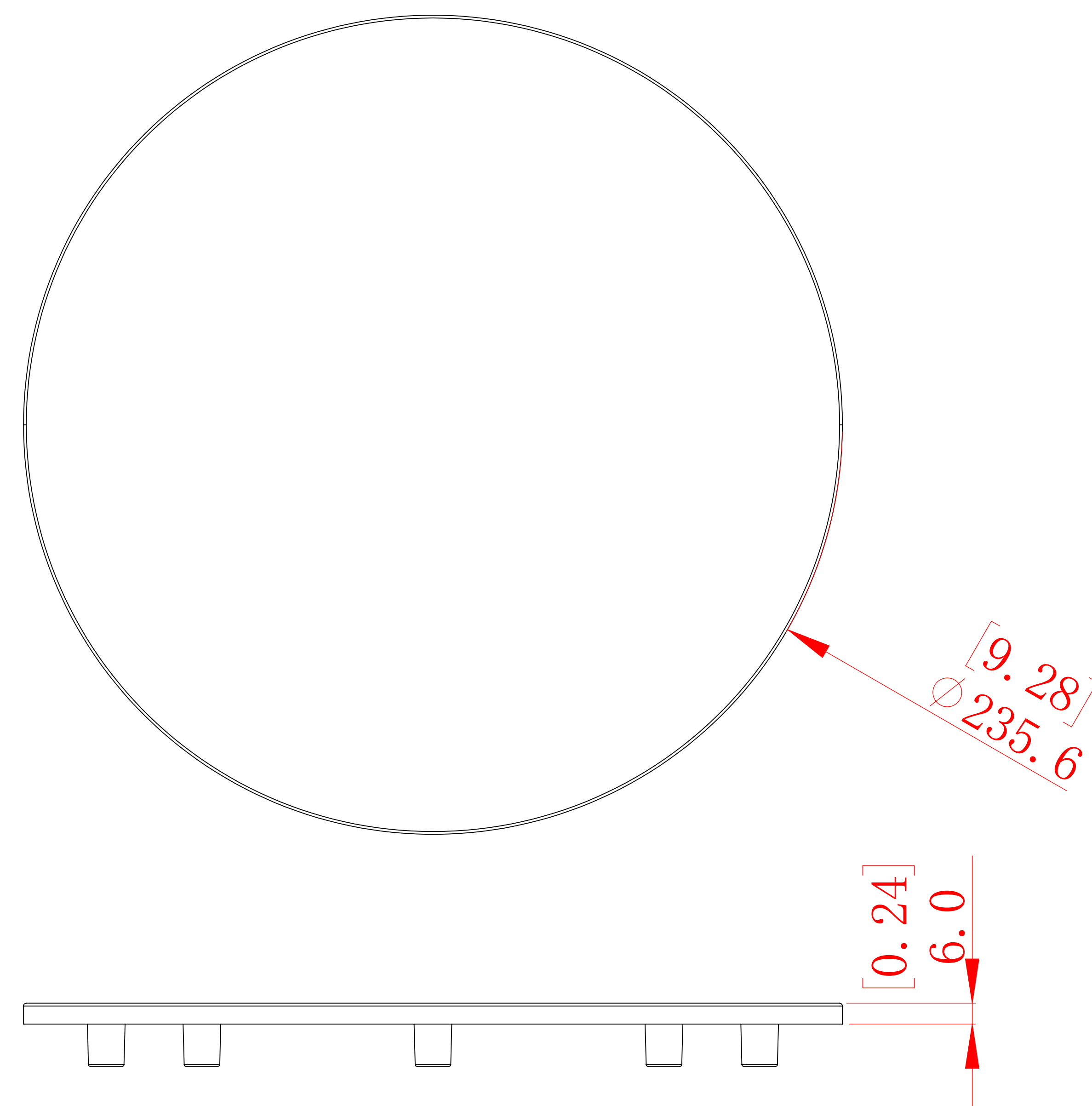
MOUNTING DEPTH



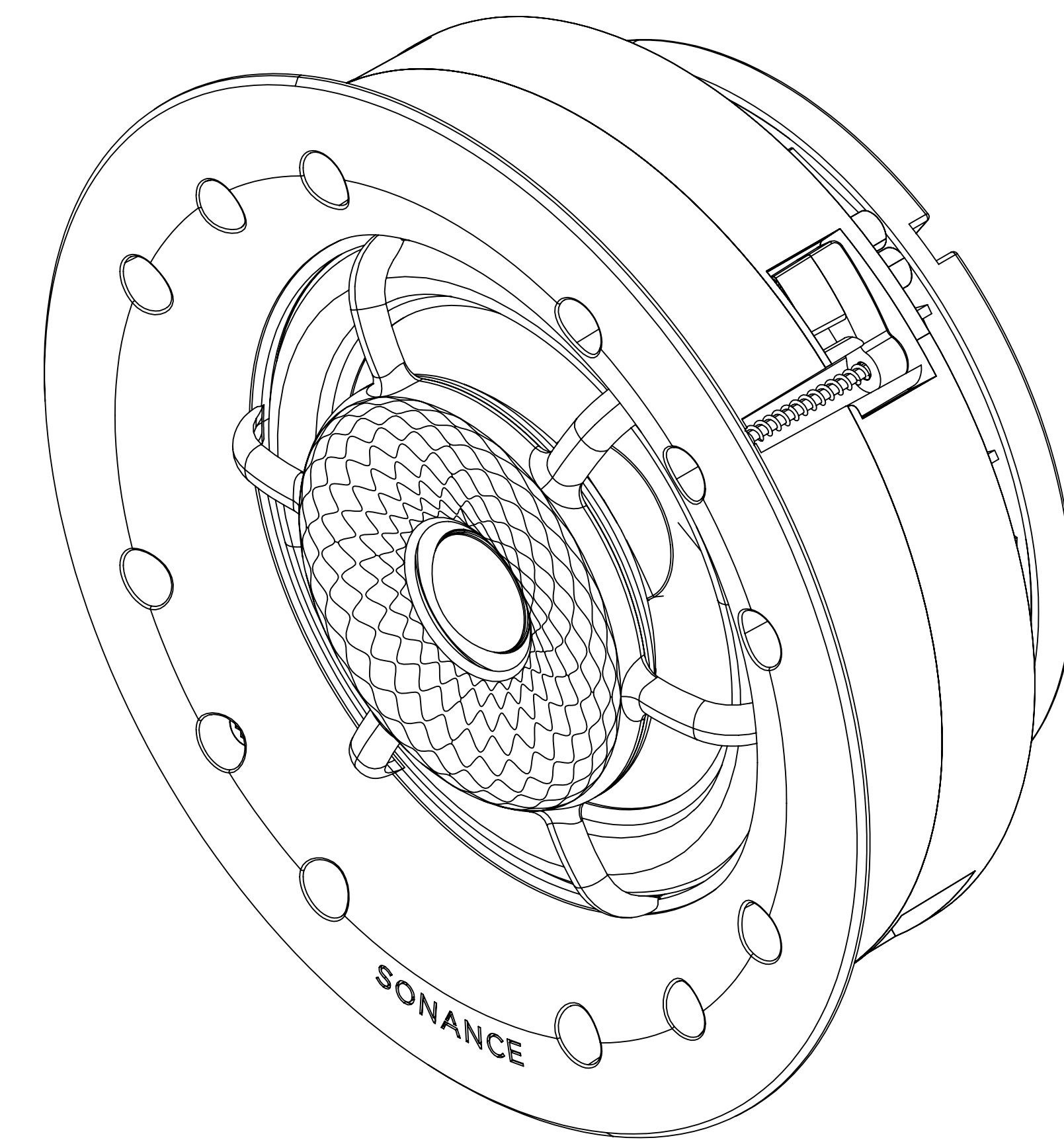
MICRO TRIM GRILLE



TRIMLESS GRILLE



ISOMETRIC



SONANCE

991 Calle Amanecer, San Clemente, CA.  
92673  
58800 2-7777 949 492-7777  
FAX 949 361-5579  
www.sonance.com

VX XT6R SST SPEAKER

SCALE: 1 : 1

DRAWN BY: Roy

DRWN - PART NUMBER

REV.

SHEET: 01

RELEASED ON: