



GC451720

1 x assembly screws  
1 x milk container  
1 x connection hose for milk frother  
1 x milk pipe  
1 x test strip  
1 x Descaling cartridge Calc  
1 x Cleaning cartridge Clean

GA022720:

Cleaning cartridge

GA022740:

Descaling cartridge

GA601010:

Adjustable intermediate shelf 60cm

GA601010:

Adjustable intermediate shelf 60cm

fully automatic coffee machine Gaggeneau  
Expressive series  
stainless steel behind smoked glass, removable  
water tank  
GC451720

### Highlights

Full touch display with stainless steel control ring.  
Light and display response upon user approach.  
Dual operation modes: Classic mode and Barista mode.  
Aroma brewing technology including intelligent strength adjustment for full aroma with every selected beverage size.  
Personalization function with profiles and favorites.  
Fully automatic cleaning and descaling with cartridges.  
Customizable, dynamic lighting scenarios.  
Electronic grinding level adjustment.  
Electronic fill level control for milk, water and coffee beans for a perfect result.

### Type of beverage

Ristretto / 2 x Ristretto.  
Espresso / 2 x Espresso. Doppio. Coffee / 2 x Coffee. Coffee large / 2 x Coffee large. Coffee very large. Americano / 2 x Americano. Americano large. Cold Brew. Slow Brew. Coffee pot. Hot water / 2 x Hot water. Espresso Macchiato / 2 x Espresso Macchiato. Flat White / 2 x Flat White. Cappuccino / 2 x Cappuccino. Cappuccino large. Caffè Latte / 2 x Caffè Latte. Cold Brew Macchiato. Latte Macchiato / 2 x Latte Macchiato. Latte Macchiato large. Warm milk / 2 x Warm milk. Milk froth / 2 x Milk froth.

### Operation

Full touch display with control ring.  
Classic mode for easy beverage preparation with reduced settings for strength, quantity, aroma and milk ratio. The intelligent strength adjustment ensures that each beverage size is always prepared with the desired intensity.  
Barista mode for detailed and precise beverage preparation. All relevant brewing parameters such as water and coffee quantity, grinding level, contact time, brewing temperature and milk ratio can be customized according to personal preferences.  
Roast level selection: depending on the roast, the optimum, specific settings for the beans used are displayed in barista mode.  
Personalization function for creating up to 10 profiles, each with 10 individualized beverages as favorites.  
42 display languages available.  
User detection, adjustable distance.  
Info texts for additional information.  
Animated quick guides to assist appliance operation.  
One-touch operation  
Easy access to water tank, milk and coffee bean container behind the door.

### Features

Continuous flow heater means no waiting time and constant brewing temperature  
Non-wearing grinding unit with ceramic discs.  
Electronic adjustment of grinding level for easy and precise control of the grinding parameters.

Double grinding and brewing cycles for double cup or for extra strong single beverages.  
Height-adjustable coffee dispenser 2 3/4" - 5 7/8".  
Beverage dispenser with integrated milk system.  
Glass milk container for up to 23.7 fl oz. (0.7 liter).  
Removable bean container for 0.9 lbs (400 g) with aroma protecting lid.  
Removable 81 fl oz. ( 2.4 liter) water tank.  
Water pump with 275 psi ( 19 bar) pressure.  
Electronic replacement indicator for cleaning and descaling cartridges and water filter for timely reordering.  
Electronic fill level control for drip tray and container for coffee residue.  
Integrated, soft lighting for perfect presentation of every single beverage.  
Hint: for energy-saving, the appliance switches to standby mode automatically after about 30 minutes. This timespan can be changed in the basic settings.

### Selected digital services (Gaggeneau Home Connect)

Coffee World: extended choice of coffee specialties from all over the world.  
Remote control and monitoring.  
Playlist function.

### Safety

Child lock to prevent accidental switch on or operation of the appliance.

### Cleaning

Fully automatic cleaning and descaling with cartridges. Switching to manual cleaning and descaling with tablets possible.  
Automatic steam cleaning of the milk system after every beverage.  
Holiday mode to prepare the appliance for longer periods of non-use or transportation.  
Empty-grinding function to remove coffee residues from the system when switching bean types.  
Removable brewing unit.  
Coffee residue container and drip tray dishwasher-safe.  
Beverage dispenser dishwasher-safe.  
Dishwasher-safe milk container.

### Planning notes

Plan the niche without back wall.  
Door hinge not reversible.  
Ideal installation height 3.1 ft - 4.8 ft. (top edge of bottom niche).  
Protrusion from appliance front to furniture cabinet 1 5/8" (42 mm).  
When planning a corner solution, pay attention to the side-opening door and the minimum required distance to the wall.  
Door opening angle appr. 110° (delivery status) - mounting distance to the wall has to be at least 13 3/4".  
Door opening angle appr. 92° - mounting distance to the wall has to be at least 3 15/16" (spare part No. 10020041).  
Installation directly above warming drawer possible.  
Due to the higher appliance housing (17 11/16"), every combination with GC needs to be planned cautiously.

---

**GC451720**

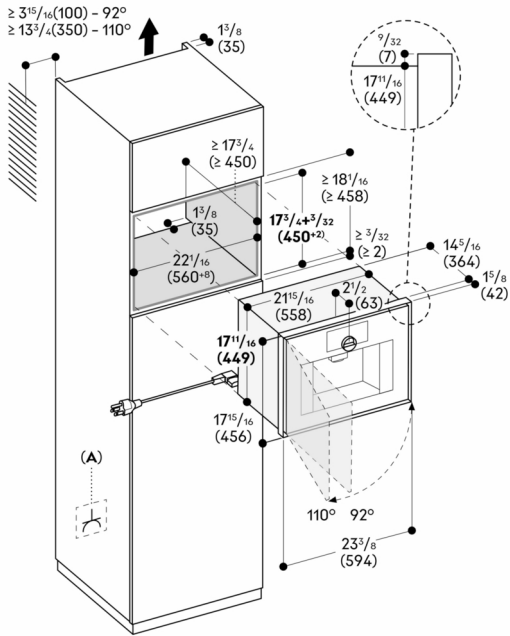
---

For optimum gap dimensions, the full-surface intermediate shelf GA 601 010 is recommended for a vertical combination with other appliances. Installation above a combi microwave oven is only possible with a standard cabinet shelf. The use of the Gaggenau adjustable shelf GA 601 010 is not permitted in this case.

**Rating**

Total rating 1.5 KW.

Connection cable 68 7/8" (1.75 m), plug (NEMA 5-15P).



A: Accessible electrical connection  
 Measurements in inches (mm)