



GS470720
Combi-steam oven Expressive series
Stainless steel behind smoked glass.
Width 24" (60 cm).
Right-hinged.

Highlights

Handleless full glass door with electronic door opening.
Full touch display with stainless steel control ring.
Light and display response upon user approach.
Fixed inlet and outlet water connection
External steam generation
Automatic cleaning with perfect results, also for heavy soiling.
Convection 86 °F to 445 °F (30 °C to 230 °C) can be combined with chosen humidity level of 0%, 30%, 60%, 80% or 100% .
Sous-vide cooking with accurate temperature regulation
Full surface broiler behind glass ceramic, combinable with circulated air up to 450 °F (230 °C) and steam.
Automatic programs and setting recommendations.
Cavity capacity 1.77 cu.ft. (50 liters).

Heating methods / Programs

Convection + 100 % humidity.
Convection + 80 % humidity.
Convection + 60 % humidity.
Convection + 30 % humidity.
Convection + 0 % humidity. Broil + circulated air. Broil level 1 + humidity. Broil level 2 + humidity. Sous-vide cooking. Low temperature cooking. Dough proofing. Keeping warm. Defrosting. Regenerating.
200 programs (automatic programs and setting recommendations).
Option to save up to 30 favorites.

Operation

Cushioned side-opening door with 110 ° opening angle.
Electronic door opening.
Full touch display with control ring. 42 display languages available.
User detection, adjustable distance.
Info texts for additional information.
Animated quick guides to assist appliance operation.

Features

2 kW broil element behind glass ceramic.
Convection fan rotates in both directions for ideal heat distribution
Connection for core temperature probe (oven temperature probe usable).
Broil can be added briefly in convection mode for additional browning.
Misting.
Steam evacuation.
Automatic boiling point detection.
Precise temperature control with display of the current temperature.
Timer functions: cooking time, cooking time end, count-up timer.
Sabbath mode with pre-programmable heating cycles.
Programmable automatic door opening at cooking time end to avoid overcooking.
Optimum visibility of the food thanks to side lighting.
3 tray levels.

Selected digital services (Gaggenau Home Connect)

Remote control and monitoring.
Cooking time estimation when using the core temperature probe.
Door opening via voice assistant.

Product Features

Cooking Modes

Broil and Steam, Convection, Defrost, fermentation, Hot air + steam 100%, Hot air + steam 30%, Hot air + steam 60%, Hot air + steam 80%, Keep Warm, Low temperature cooking, Max Convection Broil, Regeneration, Sous-vide

Time-setting Options

Start and Stop

Convection Element Wattages primary cavity
1800

Included Accessories

1 x outlet hose 3m, 1 x water inlet hose 3m, 1 x cleaning cartridge, 1 x wire rack, 1 x cooking insert, perforated, 1 x cooking insert, unperforated

Optional accessories

BA020382, BA020391, BA046118, CLS10040, GN010330, GN114130, GN114230, GN124130, GN124230, GN340231, BA010050, BA010301, BA020361, BA020370

Consumption and connection features

2025-06-04

Page 1

Safety

Child lock to prevent accidental switch on or operation of the appliance.
Electronic door lock to prevent unintentional opening of the appliance door.
Safety shut-off.
Thermally insulated door with triple glazing.
Cooled housing with temperature protection.

Cleaning

Hygienic stainless steel cooking interior.
Automatic cleaning.
Automatic descaling for the steam generator.
Drying program.
Automatic drying of the cavity at the end of the cooking process.
All removable parts and accessories dishwasher-safe, incl. stainer filter.

Planning notes

Plan the niche without back wall.
Door hinge not reversible.
No other electrical appliances should be installed above the GS combi-steam oven.
At no point may the outlet hose be positioned higher than the bottom edge of the appliance. The outlet hose must also be at least 4" (100 mm) lower than the appliance outlet (see drawing "drainage connection").
Inlet and outlet hose can be extended once.
The outlet hose must not be longer than a maximum of 204" (5 m).
The water connection for the inlet hose must always be accessible and not located directly behind the appliance.
The connection of the outlet hose to the siphon must not be directly behind the appliance and should be accessible.
Protrusion from appliance front to furniture cabinet 1 5/8" (42 mm).
When planning a corner solution, pay attention to the side-opening door and the minimum required distance to the wall.
Door opening angle appr. 110 ° (delivery status) can be reduced to appr. 97 ° if required.
The electrical connection must be accessible and located outside the oven cutout.
Special accessories (order as spare part):
Part No. 17002490 Descaling tablets.

Rating

Total rating 2.5 KW.
Only cold water connection.
To enable water detection, softened water must have a total dissolved solids (TDS) level greater than 100 ppm (parts per million).
Water inlet hose 118" (3.0 m) with connection pipe thread ISO228-G 3/4" (Ø 26.4 mm), extendable.
Drain hose (Ø 25 mm) 3.0 m (HT-Hose), extendable.
Electrical connection cable 63" (1.60 m), hardwire required.

Color Variants

GS470720
Stainless steel behind smoked glass.
Width 24" (60 cm).

Included accessories

1 x outlet hose 3m.
1 x water inlet hose 3m.
1 x cleaning cartridge.
1 x wire rack.
1 x cooking insert, perforated.

Optional accessories

BA010301
BA020361
BA020370
Cooking container, stainless steel, perforated, 1 9/16" (40 mm) deep, 5 qt.
BA020382
BA020391
CLS10040
Cleaning cartridges, set of 4
GN010330
Adapter for gastronorm insert and roaster. For use in Combi-steam ovens.
GN114130
Stainless steel cooking insert
GN114230
Stainless steel cooking insert
GN124130
Stainless steel cooking insert
GN124230
Stainless steel cooking insert

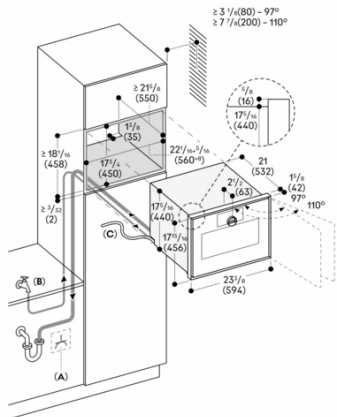
Installation Accessories

GZ010011
Extension for inlet and outlet (78" long)

GAGGENAU

GS470720
 Combi-steam oven Expressive series
 Stainless steel behind smoked glass.
 Width 24" (60 cm).
 Right-hinged.

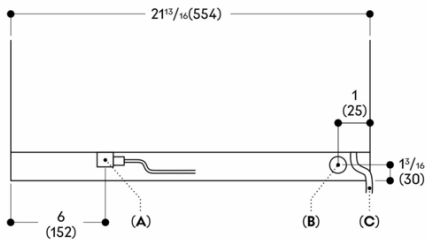
2025-06-04
 Page 2



A: Accessible electrical connection
 B: Accessible water connection
 C: Fixed cable

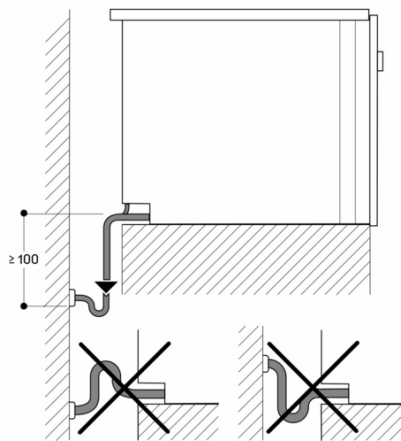
Measurements in inches (mm)

View from rear



A: Electric terminal box
 B: Water outlet
 C: Cold water inlet

Measurements in inches (mm)



Measurements in mm