



**GM451720**  
**Combi-microwave oven Expressive series**  
**Stainless steel behind smoked glass.**  
**Width 24" (60 cm).**  
**Left-hinged.**

#### Highlights

Handleless full glass door with electronic door opening.  
Full touch display with stainless steel control ring.  
Light and display response upon user approach.  
Single operation and combination of microwave and oven.  
Automatic programs and setting recommendations.  
Cavity capacity 1.62 cu.ft. (46 liters).

#### Heating methods / Programs

Microwave operation with 6 output levels: max. 1000, 600, 450, 360, 180, 90 W.  
Oven operation with 9 heating methods: Convection from 85 °F to 450 °F (30 °C to 230 °C), Broil + circulated air from 85 °F to 450 °F (30 °C to 230 °C), Warming up beverages, max. microwave level, Warming up meals, 360 W to 600 W, Dehydrating from 85 °F to 175 °F (30 °C to 80 °C), Low temperature cooking from 85 °F to 195 °F (30 °C to 90 °C) + microwave, Dough proofing from 85 °F to 122 °F (30 °C to 50 °C), Keeping warm, special microwave level, Defrosting, 90 W to 360 W.  
Convection and broil + circulated air freely combinable with microwave output levels 450, 360, 180 and 90 W. 70 programs (automatic programs and setting recommendations).  
Option to save up to 30 favorites.

#### Operation

Cushioned side-opening door with 110 ° opening angle.  
Electronic door opening.  
Full touch display with control ring. 42 display languages available.  
User detection, adjustable distance.  
Info texts for additional information.  
Animated quick guides to assist appliance operation.

#### Features

Innowave (inverter technology) for uniform microwave output.  
Precise temperature control with display of the current temperature.  
Broil can be added briefly in convection mode for additional browning.  
Connection for core temperature probe (oven temperature probe usable).  
Programable automatic door opening at cooking time end to avoid overcooking.  
Timer functions: cooking time, cooking time end, count-up timer.  
Sabbath mode with pre-programmable heating cycles.  
Convection fan rotates in both directions for ideal heat distribution  
Optimum visibility of the food thanks to side lighting.  
2 shelf levels and option of placing the food in suitable accessories directly on the cooking compartment floor.

#### Selected digital services (Gaggenau Home Connect)

Remote control and monitoring.  
Cooking time estimation when using the core temperature probe.  
Door opening via voice assistant.

#### Safety

Child lock to prevent accidental switch on or operation of the appliance.

#### Product Features

**Max. Microwave Power**  
1000  
**Number of Power Levels**  
6  
**Turntable**  
No  
**Turntable Diameter (in)**  
**Cavity material**  
Stainless steel  
**Door Opening**  
Button  
**Clock / Timer**  
No  
**Max. extraction rate**  
**Maximum output recirculating air**  
**Ventilation Power Levels**  
**Filter Type**  
**Type of lights**  
**Number of lights**  
**Included Accessories**  
1 x glass tray, 1 x wire rack

#### Consumption and connection features

2025-06-04  
Page 1

Electronic door lock to prevent unintentional opening of the appliance door.  
Safety shut-off.  
Thermally insulated door with triple glazing.  
Cooled housing with temperature protection.

#### Cleaning

Hygienic stainless steel interior with heat resistant glass base.  
Cleaning aid program.

#### Planning notes

Plan the niche without back wall.  
Door hinge not reversible.  
Protrusion from appliance front to furniture cabinet 1 5/8" (42 mm).  
When planning a corner solution, pay attention to the side-opening door and the minimum required distance to the wall.  
Door opening angle appr. 110 ° (delivery status) can be reduced to appr. 97 ° if required.  
This appliance is designed for ergonomic installation at a user-friendly height. If the appliance is to be installed underneath a countertop, it is essential to ensure proper ventilation is provided behind the appliance.  
For installation underneath cooktops: distance between the underside of the cooktop and the top edge of the oven housing: min. 9/16" (15 mm).  
The planning notes for the cooktops (particularly regarding ventilation, gas/electric connection) must be taken into account.  
To comply with UL/CSA norm the upper edge of the appliance front must be at a minimum height of ≥ 31" (787mm).  
The electrical connection must be accessible and located outside the oven cutout.

#### Rating

Total rating 2.90 KW.  
Total Amps: 20 A.  
120/208-240 V / 60 Hz.  
Electrical cable 59 1/16" without plug (hardwire required).

#### Color Variants

**GM451720**  
**Stainless steel behind smoked glass.**  
**Width 24" (60 cm).**

#### Included accessories

1 x glass tray.  
1 x wire rack.

GM451720

Combi-microwave oven Expressive series

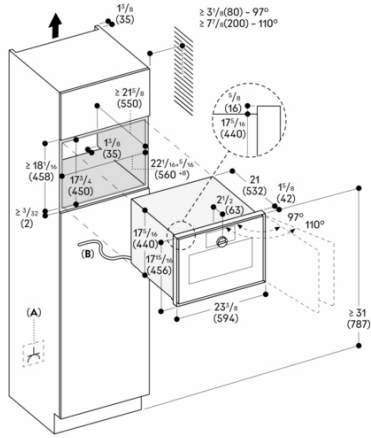
Stainless steel behind smoked glass.

Width 24" (60 cm).

Left-hinged.

2025-06-04

Page 2



A: Accessible electrical connection  
B: Fixed cable

Measurements in inches (mm)

GAGGENAU