

SONANCE

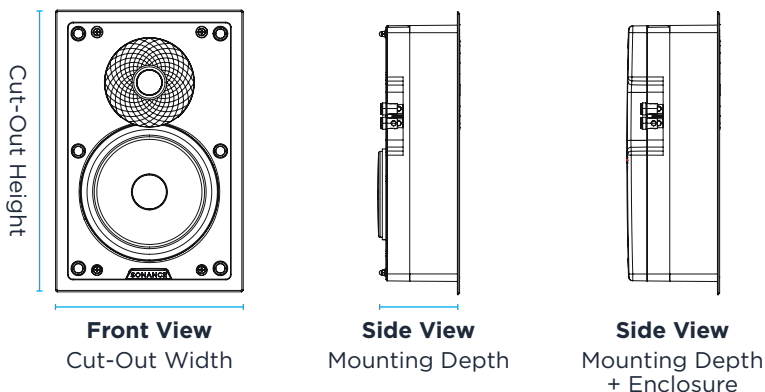
VISUAL EXPERIENCE EXTREME DATA SHEET

VXXT6 IN-WALL SPEAKER

TECHNICAL SPECIFICATIONS

SKU	VXXT6 93734 - Pair
Tweeter	1" (25mm) waterproof cloth dome, Ferrofluid-cooled, acoustic back chamber
Woofer	6.5" (165mm) polypropylene cone, Santoprene surround
Dispersion Technology	Sinusoidal textured waveguide
Frequency Response	45Hz - 20kHz +/-3dB
Impedance	8 ohms nominal; 6 ohms minimum
Power Handling (RMS)	5 watts minimum; 125 watts maximum
Sensitivity (2.83V/1m)	89dB SPL
IP Rating	IP66
Temperature Range	-40°F to 194°F (-40°C to 90°C)
Micro Trim Grill (WxH)	8.24" x 12.13" (209.4mm x 308.2mm)
Trimless Grille (WxH)	7.88" x 11.77" (200.1mm x 298.9mm)
Product Dims (HxWxD)	7.77" x 11.66" x 3.4" (197.3mm x 296.1mm x 86.5mm)
Speaker Mounting Depth (D)	3.29" (83.6mm)
Mounting Depth + Retrofit Encl.	3.73" (94.8mm)
Cut-Out Dims (WxH)	6.9375" x 10.75" (176mm x 273mm)
Product Weight	5.51 lbs. (2.5kg) Each
Shipping Weight	14.33 lbs. (6.5kg) Pair

DIMENSIONAL DRAWINGS



VXXT6 ACCESSORIES

XPC-6-NT | 93743
6" Rectangle XPC Trimless Grille | Pair

XPC-6-T | 93742
6" Rectangle XPC Micro Trim Grille | Pair

MED RECT FLEX BRACKET | 92336
Medium Rectangle Flex Bracket | 5 Pair

LIMITED FIVE (5) YEAR WARRANTY

Sonance warrants to the first end-user purchaser that this Sonance-brand product ("Product"), when purchased from an authorized Sonance Dealer/Distributor, will be free from defective workmanship and materials for five (5) years. Sonance will at its option and expense either repair the defect or replace the Product with a new or remanufactured Product or a reasonable equivalent. ©2025 Sonance. All rights reserved. Sonance is a registered trademarks of Dana Innovations. Due to continuous product improvement, all features and specifications are subject to change without notice. For the latest Sonance product specification information visit our website at www.sonance.com.

991 Calle Amanecer • San Clemente, CA 92673 USA • Phone: (949) 492-7777

05.08.2025